

**DEWALT®**

**[www.DEWALT.com](http://www.DEWALT.com)**

**D25033**

**D25133**

---

English (*original instructions*)

3

---

Français (*traduction de la notice d'instructions originale*)

9

---

العربية: (مترجم عن التعليمات الأصلية)

16

---

Figure A

شکل A

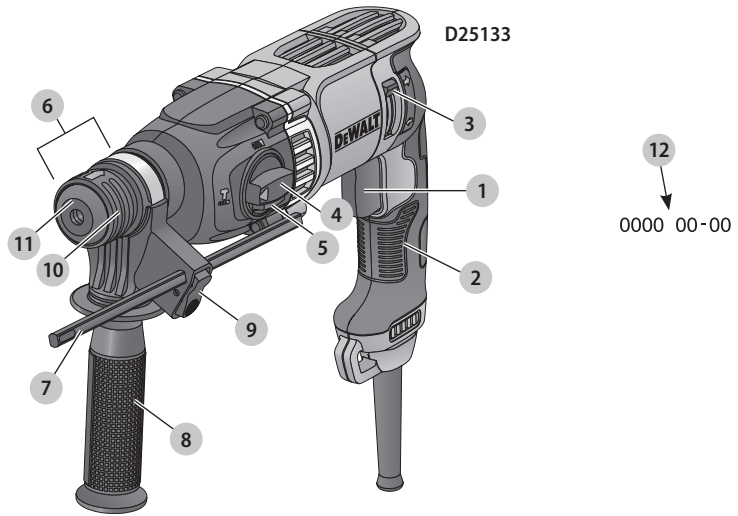


Figure B

شکل B

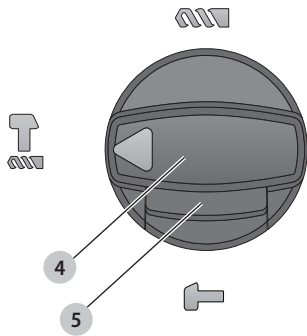


Figure C

شکل C

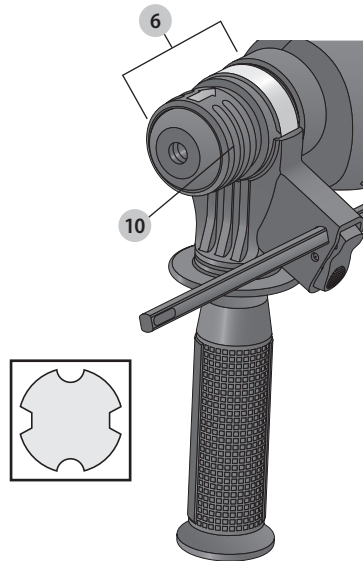


Figure D  
شکل D

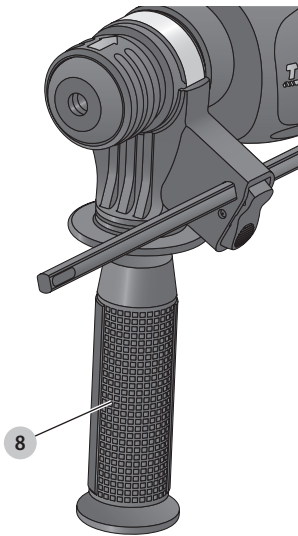


Figure E  
شکل E

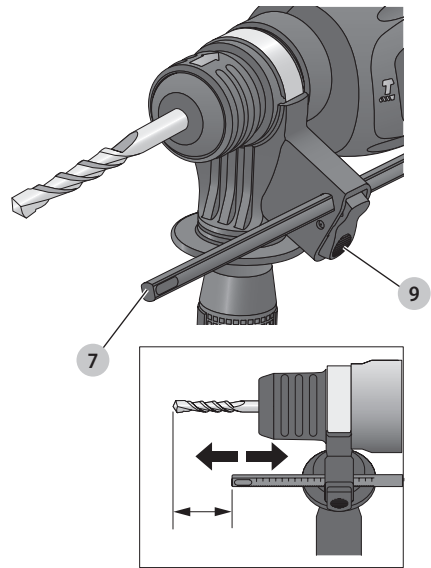


Figure F  
شکل F

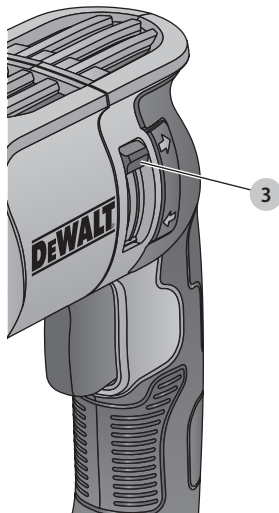
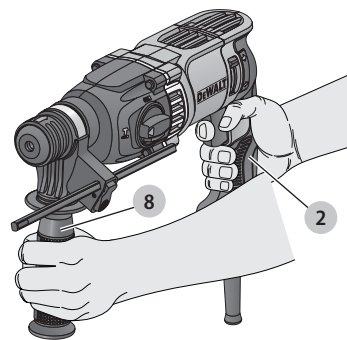


Figure G  
شکل G



# HEAVY-DUTY ROTARY HAMMERDRILL

## D25033, D25133

### Congratulations!

You have chosen a DEWALT tool. Years of experience, thorough product development and innovation make DEWALT one of the most reliable partners for professional power tool users.

### Technical Data

		D25033	D25133
Voltage	V <sub>AC</sub>	220-240	220-240
Type		1/10/15	1/10/15
Frequency	Hz	50/60	50/60
Power input	W	710	800
No-load speed	min <sup>-1</sup>	0–1550	0–1500
No-load beats per min	bpm	0–5680	0–5500
Single impact energy (EPTA 05/2009)	J	2.0	2.6
Maximum impact energy	J	2.1	2.8
Maximum drilling range in steel/wood/concrete	mm	13/30/22	13/30/26
Chisel positions		44	44
Core drilling capacity in soft brick	mm	50	50
Tool holder		SDS Plus	SDS Plus
Collar diameter	mm	43	43
Weight	kg	2.5	2.6

### Definitions: Safety Guidelines

The definitions below describe the level of severity for each signal word. Please read the manual and pay attention to these symbols.



**DANGER:** Indicates an imminently hazardous situation which, if not avoided, **will** result in **death or serious injury**.



**WARNING:** Indicates a potentially hazardous situation which, if not avoided, **could** result in **death or serious injury**.



**CAUTION:** Indicates a potentially hazardous situation which, if not avoided, **may** result in **minor or moderate injury**.

**NOTICE:** Indicates a practice **not related to personal injury** which, if not avoided, **may** result in **property damage**.



Denotes risk of electric shock.



Denotes risk of fire.



**WARNING:** To reduce the risk of injury, read the instruction manual.

### General Power Tool Safety Warnings



**WARNING:** Read all safety warnings and all instructions. Failure to follow the warnings and instructions may result in electric shock, fire and/or serious injury.

### SAVE ALL WARNINGS AND INSTRUCTIONS FOR FUTURE REFERENCE

The term “power tool” in the warnings refers to your mains-operated (corded) power tool or battery-operated (cordless) power tool.

#### 1) Work area safety

- Keep work area clean and well lit.** Cluttered or dark areas invite accidents.
- Do not operate power tools in explosive atmospheres, such as in the presence of flammable liquids, gases or dust.** Power tools create sparks which may ignite the dust or fumes.
- Keep children and bystanders away while operating a power tool.** Distractions can cause you to lose control.

#### 2) Electrical safety

- Power tool plugs must match the outlet. Never modify the plug in any way. Do not use any adapter plugs with earthed (grounded) power tools.** Unmodified plugs and matching outlets will reduce risk of electric shock.
- Avoid body contact with earthed or grounded surfaces such as pipes, radiators, ranges and refrigerators.** There is an increased risk of electric shock if your body is earthed or grounded.
- Do not expose power tools to rain or wet conditions.** Water entering a power tool will increase the risk of electric shock.
- Do not abuse the cord. Never use the cord for carrying, pulling or unplugging the power tool. Keep cord away from heat, oil, sharp edges or moving parts.** Damaged or entangled cords increase the risk of electric shock.
- When operating a power tool outdoors, use an extension cord suitable for outdoor use.** Use of a cord suitable for outdoor use reduces the risk of electric shock.
- If operating a power tool in a damp location is unavoidable, use a residual current device (RCD) protected supply.** Use of an RCD reduces the risk of electric shock.

#### 3) Personal safety

- Stay alert, watch what you are doing and use common sense when operating a power tool. Do not use a power tool while you are tired or under the influence of drugs, alcohol or medication.** A moment

of inattention while operating power tools may result in serious personal injury.

- b) **Use personal protective equipment. Always wear eye protection.** Protective equipment such as dust mask, non-skid safety shoes, hard hat, or hearing protection used for appropriate conditions will reduce personal injuries.
- c) **Prevent unintentional starting. Ensure the switch is in the off position before connecting to power source and/or battery pack, picking up or carrying the tool.** Carrying power tools with your finger on the switch or energising power tools that have the switch on invites accidents.
- d) **Remove any adjusting key or wrench before turning the power tool on.** A wrench or a key left attached to a rotating part of the power tool may result in personal injury.
- e) **Do not overreach. Keep proper footing and balance at all times.** This enables better control of the power tool in unexpected situations.
- f) **Dress properly. Do not wear loose clothing or jewellery. Keep your hair, clothing and gloves away from moving parts.** Loose clothes, jewellery or long hair can be caught in moving parts.
- g) **If devices are provided for the connection of dust extraction and collection facilities, ensure these are connected and properly used.** Use of dust collection can reduce dust-related hazards.

#### 4) Power tool use and care

- a) **Do not force the power tool. Use the correct power tool for your application.** The correct power tool will do the job better and safer at the rate for which it was designed.
- b) **Do not use the power tool if the switch does not turn it on and off.** Any power tool that cannot be controlled with the switch is dangerous and must be repaired.
- c) **Disconnect the plug from the power source and/or the battery pack from the power tool before making any adjustments, changing accessories, or storing power tools.** Such preventive safety measures reduce the risk of starting the power tool accidentally.
- d) **Store idle power tools out of the reach of children and do not allow persons unfamiliar with the power tool or these instructions to operate the power tool.** Power tools are dangerous in the hands of untrained users.
- e) **Maintain power tools. Check for misalignment or binding of moving parts, breakage of parts and any other condition that may affect the power tool's operation. If damaged, have the power tool repaired before use.** Many accidents are caused by poorly maintained power tools.
- f) **Keep cutting tools sharp and clean.** Properly maintained cutting tools with sharp cutting edges are less likely to bind and are easier to control.
- g) **Use the power tool, accessories and tool bits etc., in accordance with these instructions taking into**

**account the working conditions and the work to be performed.** Use of the power tool for operations different from those intended could result in a hazardous situation.

#### 5) Service

- a) **Have your power tool serviced by a qualified repair person using only identical replacement parts.** This will ensure that the safety of the power tool is maintained.

### Additional Specific Safety Rules for Rotary Hammers

- **Wear ear protectors.** Exposure to noise can cause hearing loss.
- **Use auxiliary handles supplied with the tool.** Loss of control can cause personal injury.
- **Hold power tools by insulated gripping surfaces when performing an operation where the cutting tool may contact hidden wiring or its own cord.** Contact with a "live" wire will make exposed metal parts of the tool "live" and shock the operator.
- **Use clamps or other practical way to secure and support the workpiece to a stable platform.** Holding the work by hand or against your body is unstable and may lead to loss of control.
- **Wear safety goggles or other eye protection.** Hammering operations cause chips to fly. Flying particles can cause permanent eye damage. Wear a dust mask or respirator for applications that generate dust. Ear protection may be required for most applications.
- **Keep a firm grip on the tool at all times. Do not attempt to operate this tool without holding it with both hands.** It is recommended that the side handle be used at all times. Operating this tool with one hand will result in loss of control. Breaking through or encountering hard materials such as re-bar may be hazardous as well. Tighten the side handle securely before use.
- **Do not operate this tool for long periods of time.** Vibration caused by hammer action may be harmful to your hands and arms. Use gloves to provide extra cushion and limit exposure by taking frequent rest periods.
- **Do not recondition bits yourself.** Chisel reconditioning should be done by an authorized specialist. Improperly reconditioned chisels could cause injury.
- **Wear gloves when operating tool or changing bits.** Accessible metal parts on the tool and bits may get extremely hot during operation. Small bits of broken material may damage bare hands.
- **Never lay the tool down until the bit has come to a complete stop.** Moving bits could cause injury.
- **Do not strike jammed bits with a hammer to dislodge them.** Fragments of metal or material chips could dislodge and cause injury.
- **Slightly worn chisels can be resharpened by grinding.**
- **Keep the power cord away from the rotating bit. Do not wrap the cord around any part of your body.** An electric

cord wrapped around a spinning bit may cause personal injury and loss of control.

**WARNING:** We recommend the use of a residual current device with a residual current rating of 30mA or less.

## Residual Risks

In spite of the application of the relevant safety regulations and the implementation of safety devices, certain residual risks cannot be avoided. These are:

- Impairment of hearing.
- Risk of personal injury due to flying particles.
- Risk of burns due to accessories becoming hot during operation.
- Risk of personal injury due to prolonged use.

## Electrical Safety

The electric motor has been designed for one voltage only. Always check that the power supply corresponds to the voltage on the rating plate.



Your DEWALT tool is double insulated in accordance with EN60745; therefore no earth wire is required.



**WARNING:** 127V units have to be operated via a fail-safe isolating transformer with an earth screen between the primary and secondary winding.

If the supply cord is damaged, it must be replaced by a specially prepared cord available through the DEWALT service organisation.

## Mains Plug Replacement (Middle East and Africa)

If a new mains plug needs to be fitted:

- Safely dispose of the old plug.
- Connect the brown lead to the live terminal in the plug.
- Connect the blue lead to the neutral terminal.



**WARNING:** No connection is to be made to the earth terminal.

Follow the fitting instructions supplied with good quality plugs. Recommended fuse: 13 A.

## Using an Extension Cable

If an extension cable is required, use an approved 3-core extension cable suitable for the power input of this tool (see **Technical Data**). The minimum conductor size is 1.5 mm<sup>2</sup>; the maximum length is 30 m.

When using a cable reel, always unwind the cable completely.

## Package Contents

The package contains:

- 1 Heavy-duty rotary hammerdrill
  - 1 Side handle
  - 1 Depth adjustment rod
  - 1 Instruction manual
- Check for damage to the tool, parts or accessories which may have occurred during transport.

- Take the time to thoroughly read and understand this manual prior to operation.

## Markings on Tool

The following pictograms are shown on the tool:



Read instruction manual before use.



Wear ear protection.



Wear eye protection.

## Date Code Position (Fig. A)

The date code **12**, which also includes the year of manufacture, is printed into the housing.

Example:

2017 XX XX

Year of Manufacture

## Description (Fig. A, E)



**WARNING:** Never modify the power tool or any part of it. Damage or personal injury could result.

- 1 Variable speed switch
- 2 Main handle
- 3 Forward/Reverse lever
- 4 Mode selector
- 5 Mode selector button
- 6 SDS Plus tool holder
- 7 Depth adjustment rod
- 8 Side handle
- 9 Depth rod button
- 10 Sleeve
- 11 Dust cover
- 12 Date code

## Intended Use

The D25033 and D25133 heavy-duty rotary hammers have been designed for professional drilling, hammerdrilling, screwdriving and light chipping.

**DO NOT** use under wet conditions or in the presence of flammable liquids or gases.

These hammerdrills are professional power tools.

**DO NOT** let children come into contact with the tool.

Supervision is required when inexperienced operators use this tool.

- This product is not intended for use by persons (including children) suffering from diminished physical, sensory or mental abilities; lack of experience, knowledge or skills unless they are supervised by a person responsible for their safety. Children should never be left alone with this product.

## Torque Limiting Clutch




All rotary hammerdrills are equipped with a torque limiting clutch that reduces the maximum torque reaction transmitted to the operator in case of jamming of a drill bit. This feature also prevents the gearing and electric motor from stalling. The torque limiting clutch has been factory-set and cannot be adjusted.

## ASSEMBLY AND ADJUSTMENTS

**!** **WARNING:** To reduce the risk of serious personal injury, turn tool off and disconnect tool from power source before making any adjustments or removing/installing attachments or accessories. Be sure the trigger switch is in the OFF position. An accidental start-up can cause injury.

## Selecting the Operating Mode (Fig. B)

The tool can be used in the following operating modes:

	Rotary drilling: for screwdriving and for drilling into steel, wood and plastics
	Hammerdrilling: for concrete and masonry drilling operations. Bit rotation: non-working position used only to rotate a flat chisel into the desired position
	Hammering only: for light chipping, chiselling and demolition applications. In this mode the tool can also be used as a lever to free a jammed drill bit.

- To select the operating mode, press the mode selector button **5** and rotate the mode selector switch **4** until it points to the symbol of the required mode.
- Release the mode selector button and check that the mode selector switch is locked in place.

**!** **WARNING:** Do not select the operating mode when the tool is running.

## Indexing the Chisel Position (Fig. B)

The chisel can be indexed and locked into different positions.

- Press the mode selector button **5** and rotate the mode selector switch **4** until it points to the "bit rotation/hammerdrilling" position.
- Rotate the chisel to the desired position.
- Set the mode selector switch **4** to the "hammering only" position.
- Twist the chisel until it locks in position.

## Inserting and Removing SDS Plus Accessories (Fig. C)

This tool uses SDS Plus accessories (refer to the inset in Fig. C for a cross-section of an SDS Plus bit shank). We recommend using professional accessories only.

- Clean and grease the bit shank.
- Insert the bit shank into the SDS Plus tool holder **6**.

- Push the bit down and turn it slightly until it fits into the slots.
- Pull on the bit to check if it is properly locked. The hammering function requires the bit to be able to move axially several centimetres when locked in the tool holder.
- To remove a bit, pull back the tool holder sleeve **10** and pull out the bit.

**!** **WARNING:** Always wear gloves when you change accessories. The exposed metal parts on the tool and accessory may become extremely hot during operation.

## Fitting the Side Handle (Fig. D)

The side handle **8** can be fitted to suit both right-handed and left-handed users.

**!** **WARNING:** Do not use the tool without the side handle properly assembled.

- Loosen the side handle.
- For right-handed users:** Slide the side handle clamp over the collar behind the tool holder, handle at the left.  
**For left-handed-users:** Slide the side handle clamp over the collar behind the tool holder, handle at the right.
- Rotate the side handle to the desired position and tighten the handle.

## Setting the Drilling Depth (Fig. E)

- Insert the required drill bit as described above.
- Press the depth rod button **9** and keep it depressed.
- Fit the depth adjustment rod **7** through the hole in the depth stop clamp.
- Adjust the drilling depth as shown.
- Release the depth stop clamp.

## Reversing Lever (Fig. F)

The forward/reverse lever **3** is used to reverse the rotation of the hammer for backing out fasteners or jammed bits in the drill-only function.

**!** **CAUTION:** When reversing to clear jammed bits, be ready for strong reactive torque.

To reverse the hammer, turn it off and align the forward/reverse lever **3** with the yellow arrow pointing backward.

To position the lever for forward operation, turn the hammer off and align the forward/reverse lever **3** with the yellow arrow pointing forward.

## Fitting the Chuck Adapter and Chuck

### Optional Accessory

- Screw the chuck onto the threaded end of the chuck adapter.
- Insert the connected chuck and adapter in the tool as though it were a standard SDS Plus bit.
- To remove the chuck, proceed as for removing a standard SDS Plus bit.

**!** **WARNING:** Never use standard chucks in the hammerdrilling mode.



## Replacing the Dust Cover (Fig. A)

The dust cover **11** prevents dust ingress into the mechanism. Replace a worn dust cover immediately.

1. Pull back the tool holder locking sleeve **10** and pull the dust cover **11** off.
2. Fit the new dust cover.
3. Release the tool holder locking sleeve.

## OPERATION

### Instructions for Use



**WARNING:** Always observe the safety instructions and applicable regulations.



**WARNING:** To reduce the risk of serious personal injury, turn tool off and disconnect tool from power source before making any adjustments or removing/installing attachments or accessories. Be sure the trigger switch is in the OFF position. An accidental start-up can cause injury.



**WARNING:**

- Always observe the safety instructions and applicable regulations.
- Be aware of the location of pipework and wiring.
- Apply only a gentle pressure to the tool (approx. 5 kg). Excessive force does not speed up drilling but decreases tool performance and may shorten tool life.
- Do not drill or drive too deep to prevent damage to the dust cover.
- Always hold the tool firmly with both hands and ensure a secure stance (Fig. G). Always operate the tool with the side handle properly mounted.

### Proper Hand Position (Fig. G)



**WARNING:** To reduce the risk of serious personal injury, ALWAYS use proper hand position as shown.



**WARNING:** To reduce the risk of serious personal injury, ALWAYS hold securely in anticipation of a sudden reaction.

Proper hand position requires one hand on the side handle **8**, with the other hand on the main handle **2**.

### Switching On and Off (Fig. A)

1. To run the tool, press the variable speed switch **1**. The pressure exerted on the variable speed switch determines the tool speed.
2. For continuous operation, press and hold down the variable speed switch.
3. To stop the tool, release the switch.

## Hammerdrilling (Fig. A)

### Drilling with a Solid Bit

1. Hold down the mode selector button **5** then set the mode selector switch **4** to the hammerdrilling position.
2. Insert the appropriate drill bit.

**NOTE:** For best results use high quality carbide-tipped bits.

3. Adjust the side handle **8** as required.
4. If necessary, set the drilling depth.
5. Mark the spot where the hole is to be drilled.
6. Place the drill bit on the spot and switch on the tool.
7. Always switch off the tool when work is finished and before unplugging.

### Drilling with a Core Bit

1. Hold down the mode selector button **5** then set the mode selector switch **4** to the hammerdrilling position.
2. Adjust the side handle **8** as required.
3. Insert the appropriate core bit.
4. Assemble the centerdrill into the core bit.
5. Place the centerdrill on the spot and press the on/off switch **1**. Drill until the core penetrates into the concrete approx. 1 cm.
6. Stop drilling and remove the centerdrill. Place the core bit back into the hole and continue drilling.
7. When drilling through a structure thicker than the depth of the core bit, break away the round cylinder of concrete or core inside the bit at regular intervals. To avoid unwanted breaking away of concrete around the hole, first drill a hole the diameter of the center drill completely through the structure. Then drill the cored hole halfway from each side.
8. Always switch off the tool when work is finished and before unplugging.

## Rotary Drilling (Fig. A)

1. Hold down the mode selector button **5** then set the mode selector switch **4** to the "rotary drilling" position.
2. Fit the chuck adapter/chuck assembly.
3. Proceed as described for hammerdrilling.



**WARNING:** Never use standard chucks in the hammerdrilling mode.

## Screwdriving (Fig. A)

1. Hold down the mode selector button **5** then set the mode selector switch **4** to the rotary drilling position.
2. Select the direction of rotation.
3. Insert the special SDS Plus screwdriving adaptor for use with hexagonal screwdriver bits.
4. Insert the appropriate screwdriver bit. When driving slotted head screws always use bits with a finder sleeve.
5. Gently press the variable speed switch **1** to prevent damage to the screw head. In reverse (LH) rotation the tool speed is automatically reduced for easy screw removal.
6. When the screw is flush with the workpiece, release the variable speed switch to prevent the screw head from penetrating into the workpiece.

## Chipping and Chiselling (Fig. A)

1. Hold down the mode selector button **5** then set the mode selector switch **4** to the "hammering only" position.
2. Insert the appropriate chisel and rotate it by hand to lock it into position.

3. Adjust the side handle **8** as required.
4. Switch on the tool and start working.
5. Always switch off the tool when work is finished and before unplugging.

**WARNING:**

- Do not use this tool to mix or pump easily combustible or explosive fluids (benzine, alcohol, etc.).
- Do not mix or stir in flammable liquids labelled accordingly.

## MAINTENANCE

Your DEWALT power tool has been designed to operate over a long period of time with a minimum of maintenance. Continuous satisfactory operation depends upon proper tool care and regular cleaning.



**WARNING: To reduce the risk of serious personal injury, turn tool off and disconnect tool from power source before making any adjustments or removing/installing attachments or accessories.** Be sure the trigger switch is in the OFF position. An accidental start-up can cause injury.

- This machine is not user-serviceable. Take the tool to an authorised DEWALT repair agent after approximately 40 hours of use. If problems occur before this time contact an authorised DEWALT repair agent.
- The tool will automatically switch off when the carbon brushes are worn.

## Motor Brushes

DEWALT uses an advanced brush system which automatically stops the drill when the brushes wear out. This prevents serious damage to the motor. New brush assemblies are available at authorised DEWALT service centers. Always use identical replacement parts.



## Lubrication

Your power tool requires no additional lubrication.

Accessories and attachments used must be regularly lubricated around the SDS Plus fitment.



## Cleaning



**WARNING:** Blow dirt and dust out of the main housing with dry air as often as dirt is seen collecting in and around the air vents. Wear approved eye protection and approved dust mask when performing this procedure.



**WARNING:** Never use solvents or other harsh chemicals for cleaning the non-metallic parts of the tool. These chemicals may weaken the materials used in these parts. Use a cloth dampened only with water and mild soap. Never let any liquid get inside the tool; never immerse any part of the tool into a liquid.

## Optional Accessories



**WARNING:** Since accessories, other than those offered by DEWALT, have not been tested with this product, use of such accessories with this tool could be hazardous. To reduce the risk of injury, only DEWALT recommended accessories should be used with this product.

Various types of SDS Plus drill bits and chisels are available as an option.

Consult your dealer for further information on the appropriate accessories.

## Protecting the Environment



Separate collection. Products and batteries marked with this symbol must not be disposed of with normal household waste.



Products and batteries contain materials that can be recovered or recycled reducing the demand for raw materials. Please recycle electrical products and batteries according to local provisions. Further information is available at [www.2helpU.com](http://www.2helpU.com).

# MARTEAUX-PERFORATEURS ROTATIFS INDUSTRIELS

## D25033, D25133

### Félicitations !

Vous avez choisi un outil DeWALT. Des années d'expertise dans le développement et l'innovation de ses produits ont fait de DeWALT, le partenaire privilégié des utilisateurs professionnels d'outils électriques.

### Fiche technique

		D25033	D25133
Tension	$V_{AC}$	220-240	220-240
Type		1/10/15	1/10/15
Fréquence	Hz	50/60	50/60
Puissance absorbée	W	710	800
Vitesse à vide	$\text{min}^{-1}$	0–1550	0–1500
Percussion à vide par min	bpm	0–5680	0–5500
Énergie de choc individuel selon EPTA 05/2009	J	2,0	2,6
Énergie d'impact maximale	J	2,1	2,8
Plage de perçage maximum dans l'acier/bois/béton	mm	13/30/22	13/30/26
Positions de ciselage		44	44
Capacité de trépanage dans la brique tendre	mm	50	50
Porte-outil		SDS Plus	SDS Plus
Diamètre de bague	mm	43	43
Poids	kg	2,5	2,6

### Définitions : consignes de sécurité

Les définitions ci-dessous décrivent le niveau de gravité de chaque mot signalétique. Lisez le manuel de l'utilisateur et soyez attentif à ces symboles.



**DANGER** : indique une situation dangereuse imminente qui, si elle n'est pas évitée, **entraînera des blessures graves ou mortelles**.



**AVERTISSEMENT** : indique une situation dangereuse potentielle qui, **si elle n'est pas évitée, pourrait entraîner des blessures graves ou mortelles**.



**ATTENTION** : indique une situation dangereuse potentielle qui, **si elle n'est pas évitée, pourrait entraîner des blessures minimales ou modérées**.

**AVIS** : indique une pratique **ne posant aucun risque de dommages corporels**, mais qui par contre, si rien n'est fait pour l'éviter, **pourrait poser des risques de dommages matériels**.



Indique un risque d'électrocution.



Indique un risque d'incendie.



**AVERTISSEMENT** : afin de réduire le risque de blessure, lisez le manuel d'instruction.

### Consignes de sécurité générales propres aux outils électriques



**AVERTISSEMENT : lire toutes les directives et consignes de sécurité.** Tout manquement aux directives et consignes ci-incluses comporte des risques de décharges électriques, d'incendie et/ou de dommages corporels graves.

### CONSERVER TOUTES CES DIRECTIVES ET CONSIGNES À TITRE DE RÉFÉRENCE

Le terme « outil électrique » mentionné dans les avertissements ci-après se rapporte aux outils alimentés sur secteur (avec fil) ou par piles (sans fil).

#### 1) Sécurité – Aire de Travail

- Maintenir l'aire de travail propre et bien éclairée.** Les lieux sombres ou encombrés sont propices aux accidents.
- Ne pas utiliser un outil électrique dans un milieu déflagrant, comme en présence de liquides, gaz ou poussières inflammables.** Les outils électriques peuvent produire des étincelles qui pourraient enflammer toute émanation ou poussière ambiante.
- Maintenir à l'écart les enfants, ou toute autre personne, lors de l'utilisation d'un outil électrique.** Toute distraction pourrait faire perdre la maîtrise de l'appareil.

#### 2) Sécurité – Électricité

- La fiche électrique de l'outil doit correspondre à la prise murale. Ne modifier la fiche en aucune façon. Ne pas utiliser de fiche d'adaptation avec un outil électrique mis à la terre (masse).** L'utilisation de fiches d'origine et de prises appropriées réduira tout risque de décharges électriques.
- Éviter tout contact corporel avec des éléments mis à la terre comme : tuyaux, radiateurs, cuisinières ou réfrigérateurs.** Les risques de décharges électriques augmentent lorsque le corps est mis à la terre.
- Ne pas exposer les outils électriques à la pluie ou à l'humidité.** Tout contact d'un outil électrique avec un liquide augmente les risques de décharges électriques.
- Ne pas utiliser le cordon de façon abusive. Ne jamais utiliser le cordon pour transporter, tirer ou débrancher un outil électrique. Protéger le cordon de toute source de chaleur, de l'huile, et de tout bord tranchant ou pièce mobile.** Les cordons endommagés ou emmêlés augmentent les risques de décharges électriques.

- e) **En cas d'utilisation d'un outil électrique à l'extérieur, utiliser systématiquement une rallonge conçue à cet effet.** Cela diminuera tout risque de décharges électriques.
- f) **Si on ne peut éviter d'utiliser un outil électrique en milieu humide, utiliser un circuit protégé par un dispositif de courant résiduel (RCD).** Cela réduira tout risque de décharges électriques.

### 3) Sécurité Individuelle

- a) **Rester systématiquement vigilant et faire preuve de jugement lorsqu'on utilise un outil électrique. Ne pas utiliser d'outil électrique en cas de fatigue ou sous l'influence de drogues, d'alcool ou de médicaments.**  
Tout moment d'inattention pendant l'utilisation d'un outil électrique comporte des risques de dommages corporels graves.
- b) **Porter un équipement de protection individuel. Porter systématiquement un dispositif de protection oculaire.** Le fait de porter un masque anti-poussières, des chaussures antidérapantes, un casque de sécurité ou un dispositif de protection auditive, lorsque la situation le requiert, réduira les risques de dommages corporels.
- c) **Prévenir tout démarrage accidentel. S'assurer que l'interrupteur est en position d'arrêt avant de brancher l'outil sur le secteur et/ou la batterie, ou de le ramasser ou le transporter.** Transporter un outil le doigt sur l'interrupteur ou brancher un outil électrique alors que l'interrupteur est en position de marche invite les accidents.
- d) **Retirer toute clé de réglage avant de démarrer l'outil.** Une clé laissée sur une pièce rotative d'un outil électrique comporte des risques de dommages corporels.
- e) **Adopter une position stable. Maintenir les pieds bien ancrés au sol et conserver son équilibre en permanence.** Cela permettra de mieux maîtriser l'outil électrique en cas de situations imprévues.
- f) **Porter des vêtements appropriés. Ne porter aucun vêtement ample ou bijou. Maintenir cheveux, vêtements et gants à l'écart des pièces mobiles, car ils pourraient s'y faire prendre.**
- g) **Lorsqu'un dispositif de connexion à un système de dépoussiérage ou d'élimination est fourni, s'assurer qu'il est branché et utilisé correctement.** L'utilisation de ces dispositifs peut réduire les risques engendrés par les poussières.

### 4) Utilisation et Entretien des Outils Électriques

- a) **Ne pas forcer un outil électrique. Utiliser l'outil approprié au travail en cours.** L'outil approprié effectuera un meilleur travail, de façon plus sûre et à la vitesse pour laquelle il a été conçu.
- b) **Ne pas utiliser un outil électrique dont l'interrupteur est défectueux.** Tout appareil dont l'interrupteur est défectueux est dangereux et doit être réparé.
- c) **Débrancher la fiche du secteur et/ou la batterie de l'outil électrique avant d'effectuer tout réglage, de**

**changer tout accessoire, ou avant de le ranger.** Ces mesures préventives réduiront tout risque de démarrage accidentel de l'appareil.

- d) **Après utilisation, ranger les outils électriques hors de portée des enfants et ne permettre à aucune personne non familière avec son fonctionnement (ou sa notice d'instructions) de l'utiliser.** Les outils peuvent être dangereux entre des mains inexpérimentées.
- e) **Entretien des outils électriques. Vérifier les pièces mobiles pour s'assurer qu'elles sont bien alignées et tournent librement, qu'elles sont en bon état et ne sont affectées d'aucune condition susceptible de nuire au bon fonctionnement de l'outil. En cas de dommage, faire réparer l'outil électrique avant toute nouvelle utilisation.** De nombreux accidents sont causés par des outils mal entretenus.
- f) **Maintenir tout organe de coupe propre et bien affûté.** Les outils de coupe bien entretenus et affûtés sont moins susceptibles de se coincer et sont plus faciles à contrôler.
- g) **Utiliser un outil électrique, ses accessoires, mèches, etc., conformément aux présentes directives et suivant la manière prévue pour ce type particulier d'outil électrique, en tenant compte des conditions de travail et de la tâche à effectuer.** L'utilisation d'un outil électrique à des fins autres que celles prévues est potentiellement dangereuse.

### 5) Réparation


- a) **Faire entretenir les outils électriques par un réparateur qualifié en n'utilisant que des pièces de rechange identiques.** Cela permettra de préserver l'intégrité de l'outil électrique et la sécurité de l'utilisateur.

### Règles de sécurité particulières additionnelles propres aux marteaux rotatifs

- **Porter un dispositif de protection auditif.** Le bruit en résultant pourrait occasionner une perte de l'acuité auditive.
- **Utiliser la poignée auxiliaire fournie avec l'outil.** Une perte de contrôle de l'outil pourrait occasionner des dommages corporels.
- **Tenir l'outil par les surfaces isolées prévues à cet effet pendant toute utilisation où l'organe de coupe pourrait entrer en contact avec des fils électriques cachés ou son propre cordon.** Tout contact avec un fil sous tension met les parties métalliques exposées de l'outil sous tension et électrocute l'utilisateur.
- **Utiliser des serre-joints, ou tout autre moyen, pour fixer et immobiliser le matériau sur une surface stable.** Tenir la pièce à la main ou contre son corps offre une stabilité insuffisante qui pourrait vous en faire perdre le contrôle.
- **Porter des lunettes de protection ou tout autre dispositif de protection oculaire.** Le martelage produit des particules volantes. Ces particules peuvent causer des dommages oculaires permanents. Porter un masque anti-poussières ou

un appareil de protection des voies respiratoires pour toute application productrice de poussières. Une protection auditive peut s'avérer nécessaire pour la plupart des applications.

- **Maintenir systématiquement l'outil fermement. Ne pas tenter d'utiliser cet outil sans le maintenir à deux mains.** Il est recommandé d'utiliser systématiquement la poignée latérale. Le fait d'utiliser cet outil à une main pourrait vous en faire perdre le contrôle. Traverser ou rencontrer des matériaux durs comme les armatures peut aussi s'avérer dangereux. Arrimer soigneusement la poignée latérale avant toute utilisation.
- **Ne pas utiliser cet outil pendant des périodes prolongées.** Les vibrations causées par l'action du marteau peuvent être dangereuses pour les mains ou les bras. Porter des gants pour amortir les vibrations, et pour limiter les risques, faire des pauses fréquentes.
- **Ne pas remettre à neuf les forets soi-même.** La remise à neuf de tout burin doit être effectuée par un spécialiste agréé. Tout burin remis à neuf incorrectement pose des risques de dommages corporels.
- **Porter des gants lors de l'utilisation de l'outil ou le changement de burin.** Les parties métalliques accessibles de l'outil et des burins pourraient s'avérer brûlantes pendant l'utilisation. De petits débris de matériau pourraient blesser les mains nues.
- **Attendre systématiquement l'arrêt complet de la mèche/burin avant de déposer l'outil où que ce soit.** Des burins/mèches en rotation posent des risques de dommages corporels.
- **Ne pas asséner des coups de marteau sur des burins coincés pour les déloger.** Des fragments de métal ou de matériau pourraient être éjectés et causer des dommages corporels.
- **Les burins légèrement usés peuvent être réaffûtés.**
- **Maintenir le cordon d'alimentation à l'écart d'une mèche en rotation. Ne pas enrouler le cordon autour d'une partie quelconque de votre corps.** Un cordon électrique enroulé autour d'un burin en rotation pose des risques de dommages corporels et de la perte de contrôle de l'outil.

 **AVERTISSEMENT :** nous recommandons l'utilisation d'un disjoncteur différentiel avec un seuil de déclenchement de 30mA ou moins.

## Risques résiduels

Malgré l'application de la réglementation de sécurité applicable et la mise en œuvre des dispositifs de sécurité, certains risques résiduels ne peuvent pas être évités. À savoir :

- Diminution de l'acuité auditive.
- Risques de dommages corporels dus à la projection de particules.
- Risques de brûlures provoquées par des accessoires chauffant pendant leur utilisation.
- Risques de dommages corporels dus à un usage prolongé.

## Sécurité électrique

Le moteur électrique a été conçu pour fonctionner sur une tension unique. Vérifier systématiquement que la tension du secteur correspond bien à la tension indiquée sur la plaque signalétique.



Votre outil DEWALT à double isolation est conforme à la norme EN60745 ; un branchement à la terre n'est donc pas nécessaire.



**AVERTISSEMENT :** les appareils à 127 V doivent être utilisés avec des transformateurs d'isolation à l'épreuve des pannes doté d'un écran de terre entre l'enroulement primaire et secondaire.

Si le cordon fourni est endommagé, le remplacer par un cordon spécialement conçu à cet effet, et disponible auprès du service après-vente DEWALT.

## Remplacement de la fiche d'alimentation (Moyen-Orient et Afrique)

Si une nouvelle fiche d'alimentation doit être montée :

- Mettre soigneusement au rebut l'ancienne fiche.
- Raccorder le fil marron à la borne de phase dans la fiche.
- Raccorder le fil bleu à la borne de neutre.



**AVERTISSEMENT :** aucun branchement ne doit être fait à la borne de terre.

Suivez les instructions de montage fournies avec des fiches de bonne qualité. Fusible recommandé : 13 A.

## Utilisation d'une rallonge

Si une rallonge s'avère nécessaire, utiliser une rallonge à trois fils homologuée et compatible avec la tension nominale de cet outil (consulter la **Fiche techniques**). La section minimale du conducteur est de 1,5 mm<sup>2</sup> pour une longueur maximale de 30 m.

En cas d'utilisation d'un dévidoir, dérouler systématiquement le câble sur toute sa longueur.

## Contenu de l'emballage

Ce carton comprend :

- 1 Marteau-perforateur rotatif industriel
  - 1 Poignée latérale
  - 1 Tige de réglage de profondeur
  - 1 Notice d'instructions
- Vérifier que l'appareil et ses pièces ou accessoires n'ont pas été endommagés lors du transport.
  - Prendre le temps de lire attentivement et comprendre cette notice d'instructions avant toute utilisation de l'appareil.

## Étiquettes sur l'appareil

On trouve les diagrammes suivants sur l'outil :



Lire la notice d'instructions avant toute utilisation.



Porter un dispositif de protection auditive.



Porter un dispositif de protection oculaire.

## Emplacement de la Date Codée de Fabrication (Fig. A)

La date codée de fabrication **12**, qui comprend aussi l'année de fabrication, est imprimée sur le boîtier.

Exemple :

2017 XX XX

Année de fabrication

## Description (Fig. A, E)



**AVERTISSEMENT** : ne jamais modifier l'outil électrique ni aucun de ses composants. Il y a risques de dommages corporels ou matériels.

- 1 Interrupteur/variateur de vitesse
- 2 Poignée principale
- 3 Levier de sens de rotation avant/arrière
- 4 Sélecteur de mode
- 5 Bouton du Sélecteur de mode
- 6 Porte-outil SDS Plus
- 7 Tige de réglage de profondeur
- 8 Poignée latérale
- 9 Bouton de la tige de profondeur
- 10 Manchon
- 11 Cache anti-poussière
- 12 Code date

## Utilisation Prévue

Les perceuses rotatives à usage intensif D25033 et D25133 ont été conçues pour la perforation, le perçage à percussion, le vissage et le burinage léger professionnels.

**NE PAS** les utiliser en milieu humide ou en présence de gaz ou de liquides inflammables.

Ces marteaux-perforateurs sont des outils électriques professionnels.

**NE PAS** les laisser à la portée des enfants. Une supervision est nécessaire auprès de tout utilisateur non expérimenté.

- Ce produit n'est pas prévu pour être utilisé par des personnes (y compris les enfants) dont les capacités physiques, sensorielles ou mentales sont réduites ou qui manquent d'expérience ou d'aptitudes, sauf si ces personnes sont surveillées par une autre personne responsable de leur sécurité. Ne jamais laisser les enfants seuls avec ce produit.

## Embrayage Limiteur De Couple

Tous les marteaux-perforateurs rotatifs sont équipés d'un embrayage limiteur de couple qui réduit la réaction de couple maximum transmise à l'utilisateur en cas de grippage de mèche. Cette fonctionnalité prévient aussi que l'engrenage ou le moteur ne cale. Cet embrayage limiteur de couple est réglé en usine et ne peut être ajusté.

## MONTAGE ET RÉGLAGES



**AVERTISSEMENT** : pour réduire tout risque de dommages corporels graves, arrêter et débrancher l'outil avant tout réglage ou avant de retirer ou installer toute pièce ou tout accessoire. S'assurer que la gâchette est bien en position d'ARRÊT. Tout démarrage accidentel pourrait causer des dommages corporels.

## Sélection du mode d'utilisation (Fig. B)

Cet outil peut être utilisé dans les modes d'utilisation suivants :



Perçage rotatif : pour le vissage et le perçage de l'acier, le bois et les plastiques.



Martelage : pour le perçage du béton et de la maçonnerie ;  
Rotation de mèche : position d'inactivité utilisée seulement pour faire pivoter un ciseau plat dans la position désirée.



Martelage seulement : pour la démolition, le burinage et le ciselage légers. Dans ce mode, l'outil peut aussi être utilisé comme levier pour libérer une mèche coincée.

1. Pour sélectionner le mode de fonctionnement, appuyez sur le bouton du sélecteur de mode **5** et tournez l'interrupteur de sélection de mode **4** jusqu'à ce qu'il pointe le symbole correspondant au mode voulu.
2. Relâchez le bouton du sélecteur de mode et vérifiez que l'interrupteur de sélection de mode est bien verrouillé en place.



**AVERTISSEMENT** : ne pas changer de mode d'utilisation alors que l'outil est en marche.

## Indexage de la position ciselage (Fig. B)

Le burin peut être positionné et verrouillé dans plusieurs positions différentes.

1. Appuyez sur le bouton du sélecteur de mode **5** et tournez l'interrupteur de sélection de mode **4** jusqu'à ce qu'il pointe la position «rotation foret/ perçage à percussion».
2. Tournez le ciseau sur la position désirée.
3. Réglez le sélecteur de mode **4** sur la position « martelage seulement ».
4. Tournez le ciseau jusqu'à ce qu'il se verrouille en place.

## Insertion et retrait des accessoires SDS Plus (Fig. C)

Cet outil utilise des accessoires SDS Plus (se reporter au détail en Fig. C pour observer la coupe transversale d'une tige de mèche SDS Plus). Il est recommandé d'utiliser exclusivement des accessoires de professionnels.

1. Nettoyez et graissez la tige de mèche.
2. Insérez le manche du foret dans le porte-outil SDS Plus **6**.
3. Poussez à fond la mèche et tournez-la légèrement jusqu'à ce qu'elle s'encastre en place.

- Tirez sur la mèche pour vérifier qu'elle est bien verrouillée. La fonction de martelage requiert que la mèche puisse bouger sur son axe de quelques centimètres une fois verrouillée dans le porte-outil.
- Pour retirer un foret, rétractez le manchon du porte-outil **10** et sortez le foret.

**AVERTISSEMENT** : porter systématiquement des gants lors du changement d'accessoires. Les parties métalliques exposées de l'outil et de l'accessoire peuvent devenir extrêmement brûlantes pendant leur utilisation.

## Installation de la poignée latérale (Fig. D)

La poignée latérale **8** peut être montée pour convenir à la fois aux droitiers et aux gauchers.

**AVERTISSEMENT** : ne pas utiliser l'outil sans la poignée latérale correctement installée.

- Desserrez la poignée latérale.
- Pour les droitiers** : insérez le dispositif de fixation de la poignée latérale sur la bague derrière le porte-outil, poignée à gauche.  
**Pour les gauchers** : insérez le dispositif de fixation de la poignée latérale sur la bague derrière le porte-outil, poignée à droite.
- Faites pivoter la poignée latérale sur la position désirée puis resserrez la poignée.

## Réglage de la profondeur de pénétration (Fig. E)

- Insérez la mèche requise, comme décrit ci-dessus.
- Appuyez sur le bouton de la tige de profondeur **9** et maintenez-le enfoncé.
- Insérez la tige de réglage de profondeur **7** dans l'orifice du verrou de butée de profondeur.
- Ajustez la profondeur de pénétration, comme illustré.
- Relâchez le verrou de butée de profondeur.

## Levier d'inversion (Fig. F)

Le levier de sens de rotation avant/arrière **3** sert à inverser le sens de rotation de l'outil pour retirer des éléments de fixation ou des forets coincés en mode de fonctionnement Perceuse uniquement.

**ATTENTION** : lors de l'inversion pour retirer les mèches coincées, préparez-vous à un fort couple de réaction.

Pour inverser le sens de rotation de l'outil, éteignez-le et alignez le levier de sens de rotation **3**, la flèche pointant vers l'arrière. Pour positionner le levier pour un fonctionnement en marche avant, éteignez l'outil et alignez le levier de sens de rotation **3**, la flèche jaune pointant vers l'avant.

## Installation de l'adaptateur de mandrin et du mandrin

### Accessoires en option

- Vissez le mandrin sur l'extrémité taraudée de l'adaptateur de mandrin.

- Insérez le dispositif mandrin/adaptateur sur l'outil comme si c'était une mèche standard SDS Plus.
- Pour retirer le mandrin, procédez comme pour retirer une mèche standard SDS Plus.

**AVERTISSEMENT** : ne jamais utiliser de mandrins standards en mode de martelage.

## Changement du protège-poussière (Fig. A)

Le protège-poussière **11** empêche la poussière de pénétrer dans le mécanisme. Remplacez le protège-poussière immédiatement quand il est usé.

- Tirez sur le manchon de verrouillage du porte-outil **10** et retirez le protège-poussière **11**.
- Installez un protège-poussière neuf.
- Relâchez le manchon de verrouillage du porte-outil.

## FONCTIONNEMENT

### Consignes d'utilisation

**AVERTISSEMENT** : respecter systématiquement les consignes de sécurité et les normes en vigueur.

**AVERTISSEMENT** : pour réduire tout risque de dommages corporels graves, arrêter et débrancher l'outil avant tout réglage ou avant de retirer ou installer toute pièce ou tout accessoire. S'assurer que la gâchette est bien en position d'ARRÊT. Tout démarrage accidentel pourrait causer des dommages corporels.

**AVERTISSEMENT** :

- respecter systématiquement les consignes de sécurité et les normes en vigueur.
- attention aux tuyaux et aux fils électriques.
- appliquer seulement une légère pression sur l'outil (5 kg environ). Toute force excessive n'accéléra pas le perçage mais diminuera les performances de l'outil et sa durée de vie.
- ne pas percer ou visser trop profondément pour éviter d'endommager le protège-poussière.
- maintenir systématiquement l'outil fermement à deux mains, et maintenir sa stabilité et son équilibre (Fig. G). Utiliser systématiquement l'outil avec sa poignée latérale installée correctement.

### Position correcte des mains (Fig. G)

**AVERTISSEMENT** : pour réduire tout risque de dommages corporels graves, adopter **SYSTÉMATIQUEMENT** la position des mains illustrée.

**AVERTISSEMENT** : pour réduire tout risque de dommages corporels graves, maintenir fermement et **SYSTÉMATIQUEMENT** l'outil pour anticiper toute réaction soudaine de sa part.

La position correcte des mains requiert une main sur la poignée latérale **8**, et l'autre sur la poignée principale **2**.

## Mise en marche et arrêt (Fig. A)

1. Appuyez sur l'interrupteur à variateur ❶ pour mettre l'outil en marche. C'est la pression exercée sur l'interrupteur/variateur de vitesse qui détermine la vitesse de l'outil.
2. Pour le fonctionnement en continu, appuyez et maintenez enfoncé l'interrupteur/variateur de vitesse.
3. Pour arrêter l'outil, relâchez l'interrupteur.

## Marteau-perforateur (Fig. A)

### Perçage Avec Trépan Plein

1. Maintenez enfoncé le bouton du sélecteur de mode ❺ puis placez l'interrupteur de sélection de vitesse ❹ en position Perçage à percussion.
2. Insérez le trépan approprié.  
**REMARQUE :** Pour des résultats optimaux, utiliser des mèches à pointes au carbure de qualité supérieure.
3. Réglez la poignée latérale ❸ comme requis.
4. Si nécessaire, ajustez la profondeur de perçage.
5. Marquez le point où le trou doit être percé.
6. Placez le trépan sur le tracé et mettez l'outil en marche.
7. Arrêtez systématiquement l'outil après utilisation et avant de le débrancher.

### Perçage avec trépan carottier

1. Maintenez enfoncé le bouton du sélecteur de mode ❺ puis placez l'interrupteur de sélection de vitesse ❹ en position Perçage à percussion.
2. Réglez la poignée latérale ❸ comme requis.
3. Insérez le trépan carottier approprié.
4. Installez le foret à centrer dans le trépan carottier.
5. Placez le foret de centrage sur le point à percer et appuyez sur l'interrupteur Marche/Arrêt ❶. Percez jusqu'à ce que le trépan pénètre dans le béton d'environ 1 cm.
6. Arrêtez de percer et retirez le foret à centrer. Réinsérez le trépan carottier dans le trou et continuez de percer.
7. Pour traverser une structure plus épaisse que la longueur du trépan carottier, cassez à intervalles réguliers le cylindre de béton ou la carotte à l'intérieur du trépan. Pour éviter toute fissure indésirable du béton autour du trou, percez tout d'abord complètement un trou du diamètre du foret à centrer dans la structure. Puis percez avec le trépan à mi-chemin de chaque côté de la structure.
8. Arrêtez systématiquement l'outil après utilisation et avant de le débrancher.

## Perçage rotatif (Fig. A)

1. Maintenez enfoncé le bouton du sélecteur de mode ❺ puis placez l'interrupteur de sélection de vitesse ❹ en position «perçage rotatif».
2. Installez le dispositif adaptateur de mandrin/mandrin.
3. Procédez comme décrit pour le perçage à percussion.



**AVERTISSEMENT :** ne jamais utiliser de mandrins standards en mode de martelage.

## Vissage (Fig. A)

1. Maintenez enfoncé le bouton du sélecteur de mode ❺ puis placez l'interrupteur de sélection de vitesse ❹ en position Perçage rotatif.
2. Sélectionnez la direction de rotation.
3. Insérez l'adaptateur à visser SDS Plus pour l'utiliser avec des embouts de tournevis hexagonaux.
4. Insérez l'embout tournevis approprié. Pour enfoncer des vis à tête fendue utilisez systématiquement des embouts avec un manchon de guidage.
5. Appuyez doucement sur l'interrupteur/variateur de vitesse ❶ afin d'éviter l'endommagement de la tête de vis. En marche arrière, la vitesse de l'outil est automatiquement réduite pour pouvoir retirer la vis facilement.
6. Lorsque la vis est à ras de la pièce à travailler, relâchez l'interrupteur/variateur de vitesse afin d'éviter que la tête de vis pénètre dans la pièce à travailler.

## Burinage et ciselage (Fig. A)

1. Maintenez enfoncé le bouton du sélecteur de mode ❺ puis placez l'interrupteur de sélection de vitesse ❹ en position «perçage à percussion uniquement».
2. Insérez le burin approprié et faites-le tourner à la main pour le verrouiller en position.
3. Réglez la poignée latérale ❸ comme requis.
4. Mettez l'outil en marche et commencez à travailler.
5. Arrêtez systématiquement l'outil après utilisation et avant de le débrancher.



### AVERTISSEMENT :

- ne pas utiliser cet outil pour mélanger ou pomper des liquides aisément combustibles ou explosifs (benzine, alcool, etc.).
- ne pas mélanger ou combiner des liquides inflammables étiquetés comme tels.

## MAINTENANCE

Votre outil électrique DEWALT a été conçu pour fonctionner longtemps avec un minimum de maintenance. Le fonctionnement continu et satisfaisant de l'outil dépendra d'une maintenance adéquate et d'un nettoyage régulier.



**AVERTISSEMENT :** pour réduire tout risque de dommages corporels graves, arrêter et débrancher l'outil avant tout réglage ou avant de retirer ou installer toute pièce ou tout accessoire. S'assurer que la gâchette est bien en position d'ARRÊT. Tout démarrage accidentel pourrait causer des dommages corporels.

- Cet appareil ne peut être réparé par l'utilisateur. Le porter chez un réparateur agréé DEWALT après une quarantaine d'heures d'utilisation. En cas de problème entre temps, veuillez contacter un réparateur agréé DEWALT.
- Cet outil s'arrêtera automatiquement lorsque ses balais de charbon seront usés.



## Balais de moteur

DeWALT utilise une technologie de pointe en matière de balais qui arrête automatiquement la perceuse lorsque ses balais sont usés. Cela permet de protéger le moteur de tout dommage sérieux. Des modules de balai sont disponibles dans les centres de service autorisés DeWALT. Utilisez systématiquement des pièces de rechange d'origine.



## Lubrification

Votre outil électrique ne requiert aucune lubrification additionnelle.

Les accessoires et pièces utilisés doivent être régulièrement lubrifiés autour de l'adaptateur SDS Plus.



## Entretien



**AVERTISSEMENT :** *éliminer poussière et saleté du boîtier principal à l'aide d'air comprimé chaque fois que les orifices d'aération semblent s'encrasser. Porter systématiquement des lunettes de protection et un masque anti-poussières homologués au cours de cette procédure.*



**AVERTISSEMENT :** *ne jamais utiliser de solvants ou tout autre produit chimique décapant pour nettoyer les parties non métalliques de l'outil. Ces produits chimiques pourraient en attaquer les matériaux utilisés. Utiliser un chiffon humidifié avec de l'eau et un savon doux. Protéger l'outil de tout liquide et n'immerger aucune de ses pièces dans aucun liquide.*

## Accessoires en option



**AVERTISSEMENT :** *comme les accessoires autres que ceux offerts par DeWALT n'ont pas été testés avec ce produit, leur utilisation avec cet appareil pourrait être dangereuse. Pour réduire tout risque de dommages corporels, seuls des accessoires DeWALT recommandés doivent être utilisés avec cet appareil.*

Différents types d'embouts à visser et ciseaux SDS Plus sont disponibles en option.

Veuillez consulter votre revendeur pour plus d'informations sur les accessoires appropriés.

## Protection de l'environnement



Tri sélectif. Les produits et batteries marqués de ce symbole ne doivent pas être jetés avec les déchets ménagers.

Les produits et batteries contiennent des matières qui peuvent être récupérées et recyclées afin de réduire la demande en matières premières. Veuillez recycler les produits électriques et les batteries conformément aux dispositions locales en vigueur. Pour plus d'informations, consultez le site [www.2helpU.com](http://www.2helpU.com).

## تهانينا!

لقد اخترت أداة DeWALT. سنوات الخبرة التي تمتد خلالها عمليات تطوير المنتجات وابتكارها تجعل DeWALT من أكثر الشركاء الذين يمكن الاعتماد عليهم بالنسبة لمستخدمي الأدوات الآلية المحترفين.

## البيانات الفنية

D25033	D25133		
220-240	220-240	فولت بيار مزود	الجهد الكهربائي
1/10/15	1/10/15		النوع
50/60	50/60	هرتز	التردد
710	800	وات	دخل الطاقة
1550-0	1500-0	دقيقة <sup>1</sup>	السرعة بدون حمل
5680-0	5500-0	ضربة لكل دقيقة	الارتطامات في الدقيقة بدون حمل
2,0	2,6	J	طاقة التأثير المفرد (EPTA 05/2009)
2,1	2,8	J	طاقة التأثير أقصى
13/30/22	13/30/26	مم	الحد الأقصى لنطاق الثقب في الفولاذ/الخشب/الخرسانة
44	44		أوضاع الإزيميل
50	50	مم	سعة الثقب الرئيسي في الطوب اللين
SDS Plus	SDS Plus		حامل الأداة
43	43	مم	قطر الطوق
2,5	2,6	كجم	الوزن

## التعريفات: تعليمات الأمان

تصف التعريفات التالية مستوى أهمية كل كلمة تحذيرية، يرجى قراءة الدليل والانتباه لتلك الرموز.

- ⚠️ خطر: تشير هذه الكلمة إلى وجود حالة خطر وشبكة، وإذا لم يتم تفاديها، فقد تؤدي إلى الوفاة أو الإصابة الجسيمة.
- ⚠️ تحذير: تشير هذه الكلمة إلى وجود حالة خطر محتملة، وإذا لم يتم تفاديها، فقد تؤدي إلى الوفاة أو الإصابة الجسيمة.
- ⚠️ تنبيه: تشير هذه الكلمة إلى وجود حالة خطر محتملة، وإذا لم يتم تفاديها، فقد تؤدي إلى حدوث إصابة بسيطة أو متوسطة.
- ⚠️ ملاحظة: تشير إلى ممارسة غير متعلقة بإصابة شخصية، إذا لم يتم تفاديها، فقد تؤدي إلى ضرر الممتلكات.
- ⚡ تشير إلى خطر حدوث صدمة كهربائية.
- 🔥 تشير إلى خطر نشوب حريق.

تحذير: لتقليل خطر حدوث الإصابات، يرجى قراءة دليل التعليمات.



## تحذيرات الأمان العامة للأدوات الكهربائية



تحذير: اقرأ جميع تحذيرات الأمان والتعليمات والإيضاحات والمواصفات الواردة مع هذه الأداة الكهربائية. إذ قد يؤدي عدم اتباع جميع الإرشادات إلى حدوث صدمة كهربائية و/أو نشوب حريق و/أو وقوع إصابة جسيمة.

## احتفظ بجميع التحذيرات والتعليمات من أجل الرجوع إليها في المستقبل

يشير المصطلح «أداة كهربائية» في التحذيرات إلى الأداة الكهربائية التي تعمل بالطاقة الكهربائية (مزودة بسلك كهربائي) أو الأداة الكهربائية التي تعمل بالبطارية (غير مزودة بسلك كهربائي).

## 1) أمان منطقة العمل

- أ) احتفظ بمنطقة العمل نظيفة ومضاءة بطريقة جيدة. حيث أن المناطق المتكدسة بغير نظام أو المظلمة تؤدي إلى وقوع الحوادث.
- ب) لا تقم بتشغيل الأدوات الكهربائية في الأجواء المتفجرة، كأن يوجد بالمكان سوائل أو غازات أو غبار قابل للاشتعال. قد تؤدي الأدوات الكهربائية التي تحدث شرارات في اشتعال الأتربة أو الأبخرة.
- ج) أبق على الأطفال والشخص المشاهدين بعيداً أثناء تشغيل الأداة الكهربائية. فقد يؤدي تشتت الانتباه إلى فقدان سيطرتك.

## 2) السلامة الكهربائية

- أ) يجب أن يتوافق قابس الأداة الكهربائية مع مصدر التيار الكهربائي. لا تقم مطلقاً بإجراء تعديل على القابس بأي طريقة. لا تستخدم قابس المحول مع الأدوات الكهربائية الموزعة (تم تأريضها). حيث ستقلل المقابس غير المعدلة ومصادر التيار الكهربائي المتطابقة من خطر حدوث صدمة كهربائية.
- ب) تجنب ملامسة الجسم مع الأسطح الأرضية أو الموضوعة كالأنابيب والمشعاع والموقد والتلجعات. حيث يوجد خطر متزايد من حدوث صدمة كهربائية إذا كان جسدك مؤرضاً أو ثابتاً على الأرض.
- ج) لا تتعرض الأدوات الكهربائية للمطر أو البلل. إذ سيؤدي الماء الذي يدخل الأداة الكهربائية إلى زيادة خطر حدوث صدمة كهربائية.
- د) لا تستخدم الكابل بطريقة خاطئة. لا تستخدم مطلقاً السلك من أجل حمل الأشياء أو سحبها أو لزع قابس الأداة الكهربائية. أبعاد السلك عن الحرارة أو الزيوت أو الحواف الحادة أو الأجزاء المتحركة. إذ تزيد الأسلاك التالفة أو المتشابكة من خطر حدوث صدمة كهربائية.
- هـ) عند تشغيل الأداة الكهربائية خارج المنزل، استخدم سلك استتالة ملائم للاستخدام في الأماكن الخارجية. حيث إن استخدام السلك الملائم للاستخدام الخارجي يقلل من خطر حدوث الصدمة الكهربائية.
- و) إذا لم يكن هناك مقر من تشغيل الأداة الكهربائية في أحد الأماكن الرطبة، فاستخدم مصدر إمداد محمي بجهاز قاطع الدورة (RCD). استخدم جهاز التيار المتبقي يقلل من حدوث الصدمة الكهربائية.

## 3) السلامة الشخصية

- أ) ابق حذراً وراقب ما تقوم بفعله واستعن بالحواس العامة عند تشغيل الأداة الكهربائية. لا تستخدم الأداة الكهربائية عندما تكون متعباً أو تحت تأثير المخدرات أو الكحول أو الأدوية. قد تؤدي أي لحظة من السهو أثناء تشغيل الأدوات الكهربائية إلى حدوث إصابة جسيمة.
- ب) استخدم معدات الوقاية الشخصية. قم دوماً بارتداء واقعي العينين. إذ أن استخدام معدات الوقاية مثل كمامات الأتربة، وأحذية الأمان المانعة للانزلاق، والخوذة الصلبة، أو واقعي الأذن للحالات ذات الصلة سيقلل من الإصابات الشخصية.
- ج) تجنب التشغيل العرضي. تأكد من أن المفتاح في وضع إيقاف التشغيل قبل التوصيل بمصدر الطاقة، و/أو مجموعة البطارية، أو التقاط أو حمل الأداة. حيث قد يؤدي حمل الأدوات الكهربائية أثناء وجود إصبعك على

- استخدم المشابك أو أي وسيلة عملية أخرى لتثبيت ودعم قطعة العمل على منصة عمل ثابتة. إذ أن الإمساك بقطعة العمل بواسطة اليد أو إسنادها على الجسد يجعلها غير ثابتة وبالتالي قد يؤدي ذلك إلى فقدان التحكم.
- ارتد النظارات الواقية أو واقيات العينين الأخرى. إذ أن عمليات الطرق تؤدي إلى تطاير شظايا رفيقة. وقد تسبب الجسيمات المتطايرة في حدوث ضرر دائم بالعين. ارتد كامات الأتربة أو جهاز تنفس في الاستخدام التي تثير الأتربة. وقد يلزم ارتداء واقيات الأذن في معظم الاستخدامات.
- اسلك الأداة باحكام في كل الأوقات. ولا تحاول تشغيل هذا الأداة بدون إمساكها بكلتا اليدين. كما يُوصى باستخدام المقبض الجانبي في جميع الأوقات. إذا أن تشغيل هذه الأداة بيد واحدة سيؤدي إلى فقدان التحكم. كما أن اختراق المواد الصلبة أو مصادفتها كالحديد قد يصبح من الأمور الخطيرة أيضاً. قم بإحكام ربط المقبض الجانبي جيداً قبل الاستخدام.
- لا تقم بتشغيل هذه الأداة لفترات زمنية طويلة. فقد يؤدي الاهتزاز الناجم عن تشغيل المطرقة إلى إلحاق الأذى باليدين والذراعين. استخدم القفازات لتلطيف الصدمات وقلل من التعرض لها بأخذ فترات راحة متكررة.
- لا ترمز اللقمات بنفسك. يجب إجراء ترميم الإزميل من قبل متخصص معتمد. فقد تؤدي عمليات الترميم غير المناسبة للإزميل في حدوث إصابة.
- ارتد القفازات عند تشغيل الأداة أو تغيير اللقمات. قد تصحح الأجزاء المعدنية المكشوفة في الأداة واللقمات ساخنة للغاية أثناء التشغيل. وقد تؤدي اللقمات الصغيرة الناتجة عن المواد المكسرة إلى إصابة اليدين.
- لا تضع الأداة الكهربائية مطلقاً على أي سطح حتى تتوقف اللقمة تماماً عن الحركة. قد تسبب اللقمات المتحركة في حدوث إصابة.
- لا تقم بالطرق على اللقمات المشحونة باستخدام مطرقة لإخراجها. فقد تسبب الشظايا المعدنية أو الرقائق المعدنية عند خلعها في حدوث إصابة.
- يمكن إعادة شحن الأزميل البالية قليلاً بواسطة التليخ.
- احتفظ بسلك الطاقة بعيداً عن اللقمة الدوارة. ولا تقم بلف السلك حول أي جزء من جسمك. فقد يؤدي السلك الكهربائي الملفت حول اللقمة الدوارة إلى حدوث إصابة شخصية وفقدان التحكم.
- ⚠️ **تحذير:** نوصي باستخدام جهاز قاطع الدوارة مع ضبط قطع الدوارة على 30 ملي أمبير أو أقل.

### المخاطر المتبقية

- على الرغم من تطبيق تعليمات السلامة ذات الصلة والتزود بأجهزة الأمان، إلا أنه لا يمكن تفادي بعض المخاطر المتبقية المحددة. وتشمل هذه المخاطر ما يلي:
- ضعف السمع.
- خطر التعرض للإصابة الشخصية بسبب الجسيمات المتطايرة.
- خطر التعرض للحروق بسبب سخونة الملحقات أثناء التشغيل.
- خطر التعرض لإصابة شخصية بسبب الاستخدام المطول.

### السلامة الكهربائية

- تم تصميم المحرك الكهربائي لتحمل جهد كهربائي واحد فقط. تأكد دوماً من أن مصدر إمداد الطاقة مطابق للجدد الكهربائي المبين على لوحة التصنيف.

تم تزويد الأداة الخاصة بك من DEWALT بعازل مزدوج طبقاً لمعيار EN60745، لذا لا حاجة للسلك الأرضي.



- ⚠️ **تحذير:** يجب تشغيل الوحدات بقدرة 127 فولت من خلال محول العزل الآمن من التعطل مع شاشة الأرض بين الفئات الرئيسية وغير الرئيسية.

في حالة استبدال السلك أو القابس في الأداة، يجب أن تتم عملية الإصلاح من قبل مركز خدمة معتمد أو فني مؤهل.

- المفتاح أو إمداد الأدوات الكهربائية التي يكون مفتاحها بوضع التشغيل بالكهرباء إلى وقوع الحوادث.
- د) **قمر بإخراج أي مفتاح ضبط أو مفتاح ربط قبل تشغيل الأداة الكهربائية.** فقد يؤدي ترك مفتاح الربط أو المفتاح الجزء الدوار بالأداة الكهربائية إلى حدوث إصابة شخصية.
- هـ) **تجنب مد يدك بعيداً بالهجاز. حافظ على ثبات موضع قدمك والتوازن طيلة الوقت.** إذ يساعدك ذلك على التحكم بشكل أفضل في الأداة الكهربائية في المواقف المفاجئة.
- و) **ارتد ملابس مناسبة. تجنب ارتداء ملابس أو مجوهرات فضفاضة. أبعاد الشعر والملابس والقفازات عن الأجزاء المتحركة. فقد تتحرش الملابس أو المجوهرات الفضفاضة أو الشعر الطويل في الأجزاء المتحركة.**
- ز) **في حال توفير الجبهة للتوصيل بوسائل استخلاص وتجميع الأتربة، فتأكد من توصيلها واستخدامها بطريقة صحيحة.** حيث أن تجميع الأتربة قد يؤدي إلى تقليل المخاطر المتعلقة بالأتربة.

### 4) استخدام الأداة الكهربائية والعناية بها

- أ) **لا تعامل بالقوة مع الأداة الكهربائية.** استخدم الأداة الكهربائية الملائمة لغرض الاستخدام الخاص بك. حيث ستنتج الأداة الكهربائية الملائمة المهمة بشكل أفضل وأكثر أماناً عند المعدل الذي صممت من أجله.
- ب) **لا تستخدم الأداة الكهربائية إذا كان المفتاح لا يقوم بتشغيل وإيقاف التشغيل.** حيث تشكل أي أداة كهربائية لا يمكن التحكم فيها بواسطة المفتاح خطورة ويجب إصلاحها.
- ج) **قمر بفصل القابس من مصدر الطاقة و/أو مجموعة البطارية، إذا كانت قابلة للفصل، من الأداة الكهربائية قبل إجراء أي عمليات ضبط أو تغيير ملحقات أو تخزين الأدوات الكهربائية.** تقلل إجراءات السلامة الوقائية هذه من خطر تشغيل الأداة الكهربائية بشكل فجائي.
- د) **قمر بتخزين الأدوات الكهربائية المتوقفة عن العمل بعيداً عن متناول الأطفال ولا تدع الأشخاص غير الملمين بالأداة الكهربائية أو بهذه التعليمات يقومون بتشغيل الأداة الكهربائية.** إذ تعد الأدوات الكهربائية مصدر خطورة في أيدي المستخدمين غير المدربين على استخدامها.
- هـ) **حافظ على الأدوات الكهربائية والملحقات. افحص للتحري عن أي محاذرة غير صحيحة أو تقييد للأجزاء المتحركة، أو كسر بالأجزاء وأي حالات أخرى قد تؤثر على تشغيل الأداة الكهربائية.** وفي حال وجود تلف، قمر بإصلاح الأداة الكهربائية قبل الاستخدام. حيث يرجع سبب وقوع العديد من الحوادث إلى الصيانة السيئة للأدوات الكهربائية.
- و) **حافظ على أدوات القطع في حالة حادة ونظيفة.** حيث أن أدوات القطع التي ترم صيانتها بطريقة صحيحة ومزودة بحواف قطع حادة تتعرض بشكل أقل للانزاق ويسهل التحكم بها على نحو أكبر.
- ز) **استخدم الأداة الكهربائية والملحقات ولقمر الأداة وما شابه ذلك وفقاً لهذه التعليمات مع الأخذ في الاعتبار ظروف التشغيل والعمل المراد تنفيذها.** إذ أن استخدام الأداة الكهربائية لعمليات مختلفة عن تلك العمليات المخصصة لها قد يؤدي إلى حالة خطيرة.

### 5) الخدمة

- أ) **قمر بصيانة الأداة الكهربائية الخاصة بك على يد فني إصلاح مؤهل وذلك من خلال استخدام أجزاء بديلة متطابقة فقط.** حيث سيضمن ذلك الحفاظ على أمان الأداة الكهربائية.

### قواعد الأمان الإضافية الخاصة بالمطارق الدوارة

- **قمر بارتداء واقيات الأذن.** إذ أن التعرض للضوضاء قد يؤدي إلى فقدان السمع.
- **استخدم المقابض الواردة مع الأداة.** إذ أن فقدان التحكم في المطرقة قد يتسبب في حدوث إصابة شخصية.
- **قمر بإمساك الأدوات الكهربائية بواسطة أسطح الإمساك المعزولة عند تنفيذ العملية حيث قد تتلامس أداة القطع مع الأسلاك الخفية أو السلك الخاص بها.** ملحق القطع المتلامس مع السلك «النشط» قد يؤدي إلى «تشريط» الأجزاء المعدنية المكشوفة من الأداة وتعرض المشغل للصعق.

- 7 قضيب ضبط العمق
- 8 مقبض جانبي
- 9 زر قضيب العمق
- 10 الكمر
- 11 غطاء الغبار
- 12 كود البيانات

### الاستخدام المقصود

تم تصميم المطرقتين الدوالتين للمهام الثقيلة D25033 و D25133 للثقب المهني والثقب بالمطرقة وتثبيت البراغي والقطع الخفيف.

**لا تستخدمها** في ظروف البلل أو في وجود سوائل أو غازات قابلة للاشتعال.

تعد مطارق الثقب أدوات كهربائية متقدمة.

**لا تدع** الأطفال يلعبون بالأداة. يكون الإشراف أمرًا ضروريًا عند استخدام مشغل قليل الخبرة لهذه الأداة.

- هذا المنتج غير مخصص للاستخدام من قبل الأفراد (بما في ذلك الأطفال) الذين يعانون من قصور في القدرات الجسدية أو الحسية أو العقلية، وقلة الخبرة أو المعرفة أو المهارات ما لم يكونوا تحت إشراف من يتحمل مسؤولية سلامتهم. لا ينبغي أن يُترك الأطفال وحدهم مع هذا المنتج.

### قابض محدد عزم الدوران




جميع مطارق الثقب الدوارة مزودة بقابض محدد عزم الدوران الذي يقلل من تفاعل الحد الأقصى لعزم الدوران المنقول إلى المشغل في حالة انحراف لقمة الثقب. تمنع هذه الخاصية أيضًا التروس والمحرك الكهربائي من فقدان السرعة. لقد تم ضبط قابض محدد عزم الدوران في المصنع ولا يمكن تعديله.

### عمليات التجميع والضبط

**تحذير:** لتقليل خطر التعرض للإصابة الشخصية الجسيمة، قمر بإيقاف تشغيل الأداة وفصلها من مصدر الطاقة قبل إجراء أي عمليات ضبط، أو إزالة/تركيب الملحقات أو الإكسسوارات. تأكد من أن مفتاح التشغيل في وضع OFF (إيقاف التشغيل). قد يؤدي بدء التشغيل غير المقصود إلى حدوث إصابة.

### تحديد نمط التشغيل (الشكل B)

يمكن استخدام الأداة في أنماط التشغيل التالية:

	الثقب الدوراني: تثبيت مسامير البرغي والثقب في المعدن والخشب والبلاستيك
	الثقب بالمطرقة: لعمليات الحفر في أعمال البناء والخرسانة. دوران اللقمة: وضع التوقف عن العمل ويستخدم فقط لتدوير الإزميل المسطح إلى الوضع المرغوب فيه
	الطرق فقط: لأغراض التقطيع والنحت والهدم الخفيفة. كما يمكن استخدام الأداة في هذا الوضع كعتلة لتحرير لقمة المثقاب المهروسة.

1. لاختيار وضع التشغيل، قمر بالضغط على زر محدد الوضع 5 وقمر بإدارة مفتاح محدد الوضع 4 حتى يُشير إلى علامة الوضع المرغوب فيه.
  2. حرر زر محدد الوضع وتحقق من قفل مفتاح محدد الوضع في مكانه.
- تحذير:** لا تخرن وضع التشغيل عندما تكون الأداة تعمل.

### فهرسة وضع الإزميل (الشكل B)

يمكن فهرسة الإزميل وقفله في أوضاع مختلفة.

1. اضغط على زر محدد الوضع 5 وقمر بإدارة مفتاح محدد الوضع 4 حتى يُشير إلى الوضع "تدوير اللقمة/الثقب بالمطرقة".
2. أدر الإزميل إلى الموضع المرغوب.
3. اضغط مفتاح محدد الوضع 4 على وضع "الطرق فقط".
4. قمر بلف الإزميل حتى يُغلق في الموضع.

## استبدال قابس التيار الرئيسي

### (الشرق الأوسط وإفريقيا)

إذا استدعت الضرورة تركيب قابس تيار رئيسي، فقم بالتالي:

- تخلص بأمان من القابس القديم.
- قمر بتوصيل السلك البني بطرف التوصيل النشط في القابس.
- قمر بتوصيل السلك الأزرق بطرف التوصيل المحايد.

**تحذير:** لا يتم إجراء أي توصيل بطرف التوصيل الأرضي.

قمر باتباع التعليمات الواردة مع القوابس ذات الجودة العالية المصنهر الموصى باستخدامه: 13 أمبير.

### استخدام كابل الاستطالة

إذا استدعت الضرورة استخدام كابل استطالة، فاستخدم كابل استطالة معتمد ملائم لدخل طاقة هذه الأداة، (انظر **البيانات الفنية**). الحد الأدنى لحجم الموصل هو 1.5 مم<sup>2</sup> الطول الأقصى هو 30 م.

عند استخدام بكرة الكابل، قمر دومًا بفك الكابل تمامًا.

### محتويات العبوة

تحتوي العبوة على ما يلي:

- 1 مطرقة ثقب دوارة للمهام الثقيلة
- 1 مقبض جانبي
- 1 قضيب تعديل العمق
- 1 دليل التعليمات
- افحص بحثًا عن أي تلف لحق بالأداة أو الأجزاء أو الملحقات يمكن أن يكون قد حدث أثناء النقل.
- خذ الوقت اللازم لقراءة هذا الدليل وافهمه جيدًا قبل التشغيل.

### علامات على الأداة

الصور التالية موضحة على الأداة:

اقرأ دليل التعليمات قبل الاستخدام.



قمر بارتداء واقيات الأذن.



قمر بارتداء واقيات العين.



### وضع كود التاريخ (الشكل A)

كود التاريخ 12 الذي يتضمن كذلك عام التصنيع، مطبوع في الغلاف. مثال:

2017 XX XX

سنة التصنيع

### الوصف (الشكلان A و E)

**تحذير:** لا تقم مطلقًا بتعديل الأداة الكهربائية أو أي جزء منها. فقد ينجم عن ذلك التلف أو الإصابة الشخصية.

- 1 مفتاح سريع متغير
- 2 المقبض الرئيسي
- 3 ذراع التشغيل للأمام/ للخلف
- 4 محدد النمط
- 5 زر تحديد الوضع
- 6 حامل الأداة SDS Plus

## إدخال وإزالة ملحقات SDS Plus (الشكل C)

تستعمل هذه الأداة ملحقات SDS Plus (يُرجى الرجوع إلى الصورة الداخلية في الشكل C لرؤية المقطع العرضي لساق اللقمة SDS Plus). نوصي باستخدام الملحقات المهنية فقط.

1. قم بتنظيف ساق اللقمة وتنشيمها.
2. أدخل ساق اللقمة في حامل أداة SDS Plus.
3. ادفع اللقمة لأسفل وأدبرها برفق حتى ترتكب في الفتحات.
4. اسحب اللقمة للتحقق إذا ما كانت مقفلة بطريقة صحيحة أم لا. تتطلب وظيفة الطرق أن تكون اللقمة قادرة على التحرك بشكل محوري عدة سنتيمترات عندما يتم قفلها في حامل الأداة.
5. إزالة اللقمة، قم بسحب حامل أداة الكرم 10 للخلف، ثم اسحب اللقمة للخارج.

**تحذير:** قم دوماً بإرتدائه المقفلات عند تغيير الملحقات. قد تصبح الأجزاء المعدنية المشكوفة في الأداة والملحق ساخنة للغاية أثناء التشغيل.

## تركيب المقبض الجانبي (الشكل D)

يمكن تركيب المقبض الجانبي 8 بما يتلاءم مع المستخدمين الذي يستخدمون اليد اليمنى واليد اليسرى.

**تحذير:** لا تستخدم الأداة بدون أن يكون المقبض الجانبي مركباً بطريقة صحيحة.

1. قم بتحرير المقبض الجانبي.
2. بالنسبة للمستخدمين الذي يستعملون اليد اليمنى: قم بزلق مشبك المقبض الجانبي فوق الحلقة خلف حامل الأداة، المقبض يصبح بالجهة اليسرى.
3. بالنسبة للمستخدمين الذي يستعملون اليد اليسرى: قم بزلق مشبك المقبض الجانبي فوق الحلقة خلف حامل الأداة، المقبض يصبح بالجهة اليمنى.
3. أدر المقبض الجانبي إلى الوضع المرغوب، ثم إحصار ربط المقبض.

## ضبط عمق الثقب (الشكل E)

1. أدخل لقمة الثقب المطلوبة على النحو المبين أعلاه.
2. أضغط على زر ضبط العمق 9 واستمر في الضغط عليه.
3. قم بتركيب قضيب ضبط العمق 7 عبر الفتحة في مثبت إيقاف العمق.
4. قم بضبط عمق الحفر كما هو موضح.
5. حرر مثبت إيقاف العمق.

## ذراع التشغيل للخلف (الشكل F)

يُستخدم ذراع التشغيل للأمام/الخلف 3 لعكس تدوير المطرقة لترك أدوات التثبيت أو اللقمات المنحشرة في مهمة الثقب.

**تنبيه:** عند التشغيل للخلف لإزالة اللقمات المنحشرة، استعد لرد فعل قوي من عزم الدوران.

وتشغيل المطرقة للخلف، قم بإيقاف تشغيلها ومحاذاة ذراع التشغيل للأمام/للخلف 3 الموجود عليه السهم الأصفر الذي يشير إلى الخلف. لضبط الذراع على التشغيل للأمام، قم بإيقاف تشغيل المطرقة ومحاذاة ذراع التشغيل للأمام/للخلف 3 الموجود عليه السهم الأصفر الذي يشير إلى الأمام.

## ضبط محول رأس المثقاب ورأس المثقاب

## الملحقات الاختيارية

1. اربط رأس مثقاب في الطرف المسنن لمحول رأس المثقاب.
2. أدخل رأس المثقاب والمحول المتصلين في الأداة التي كما لو كانت لقمة SDS Plus قياسية.
3. لإزالة رأس المثقاب، باشر الإزالة مثلما هو الحال مع لقمة SDS Plus القياسية.

**تحذير:** لا تستخدم مطلقاً رؤوس المثقاب القياسية في وضع الثقب بالمطرقة.

## استبدال غطاء الغبار (الشكل A)

غطاء الغبار 11 يمنع دخول الغبار إلى الماكينة. قم باستبدال غطاء الغبار عندما يتمزق على الفور.

1. اسحب حامل الأداة / كمر القفل 10 للخلف وقرم بخلع غطاء الغبار 11.
2. جهز غطاء الغبار الجديد.
3. حرر حامل الأداة / كمر القفل.

## تعليمات الاستخدام

**تحذير:** التزم دوماً بتعليمات الأمان واللوائح المعمول بها.

**تحذير:** لتقليل خطر التعرض للإصابة الشخصية الجسيمة، قم بإيقاف تشغيل الأداة وفصلها من مصدر الطاقة قبل إجراء أي عمليات ضبط، أو إزالة/تركيب الملحقات أو الإكسسوارات. تأكد من أن مفتاح التشغيل في وضع OFF (إيقاف التشغيل). قد يؤدي بدء التشغيل غير المقصود إلى حدوث إصابة.

**تحذير:**

- التزم دوماً بتعليمات الأمان واللوائح المعمول بها.
- كن على دراية بموقع الأذنين والأسلاك.
- اصغط برفق فقط على الأداة (ك كعمر تقريباً). القوة المفرطة لا تؤدي إلى تسريع عملية حفر الثقب فحسب ولكنها تقلل من أداء الأداة وقد تقصر من عمر تشغيل الأداة.
- لا تثقب أو تدفع إلى عمق شديد لعدم إتلاف غطاء التراب.
- قم دوماً بإمسك الأداة بإحكام بكتلي يديك وضمان وجود مسافة آمنة (الشكل G). قم دوماً بتشغيل الأداة والمقبض الجانبي المركب بطريقة صحيحة.

## الوضع المناسب لليد (الشكل G)

**تحذير:** لتقليل خطر حدوث الإصابة الشخصية الجسيمة، استخدم دوماً الوضع اليدوي الملائم كما هو موضح.

**تحذير:** لخفض خطر التعرض للإصابة الجسدية الجسيمة، أمسك دوماً الأداة بإحكام عند توقع حدوث رد فعل مفاجئ.

يتطلب وضع اليد بشكل ملائم استخدام يد واحدة على المقبض الجانبي 8، مع وجود اليد الأخرى على المقبض الرئيسي 2.

## التشغيل وإيقاف التشغيل (الشكل A)

1. لتشغيل الأداة، اضغط على مفتاح السرعة المتغيرة 1. يحدد الضغط الذي يتم بدله على مفتاح السرعة المتغيرة سرعة الأداة.
2. للتشغيل المستمر، اضغط مع الاستمرار على مفتاح السرعة المتغيرة.
3. لإيقاف الأداة، حرر المفتاح.

## الثقب بالمطرقة (الشكل A)

## الثقب بلقمة صلبة

1. اضغط مع الاستمرار على زر محدد الوضع 5، ثم اضبط مفتاح محدد الوضع 4 على وضع الثقب بالمطرقة.
2. قم بإدخال لقمة الثقب المناسبة.
3. ملاحظة: للحصول على نتائج أفضل استخدم لقم الملقمة بالكرديد عالية الجودة.
3. قم بضبط المقبض الجانبي 8 كما هو مطلوب.
4. إذا لزمت الأمر، اضغط عمق الثقب.
5. قم بتحديد المكان المراد ثقب حفرة به.
6. ضغ لقمة الثقب في النقطة وشغل الأداة.
7. قم دوماً بإيقاف تشغيل الأداة عند الانتهاء من العمل وقبل فصل القابس.

## الصيانة

تم تصميم الأداة الكهربائية DEWALT الخاصة بك للعمل خلال فترة زمنية طويلة مع أدنى حد من الصيانة. يعتمد التشغيل المرضي المتواصل على العناية الملائمة بالأداة وتنظيفها بشكلٍ منتظم.



**تحذير:** لتقليل خطر التعرض للإصابة الشخصية الجسيمة، **قم بإيقاف تشغيل الأداة وفصلها من مصدر الطاقة قبل إجراء أي عمليات ضبط، أو إزالة/تركيب الملحقات أو الإكسسوارات.** تأكد من أن مفتاح التشغيل في وضع OFF (إيقاف التشغيل)، قد يؤدي بدء التشغيل غير المقصود إلى حدوث إصابة.

- هذا الجهاز لا يمكن خدمته من قبل المستخدم. توجه بالأداة إلى وكيل إصلاح DEWALT المعتمد بعد 40 ساعة تقريباً من الاستخدام. إذا واجهتك مشكلة قبل هذه الفترة، اتصل بوكيل إصلاح DEWALT المعتمد.
- سيتم إيقاف تشغيل الأداة أوتوماتيكياً عندما يتم استهلاك الفرش الكربونية.

## فرش المحرك

تستخدم DEWALT نظام فرشاة متقدم، حيث يقوم بإيقاف الثقب عندما تتآكل الفرش. يؤدي ذلك إلى منع حدوث التلف البالغ بالمحرك، تتوفر مجموعات جديدة من الفرش لدى مراكز خدمة DEWALT المعتمدة. استخدم دائماً قطع الغيار البديلة المتطابقة.



## التشحيم

لا تحتاج الأداة الكهربائية الخاصة بك إلى أي تشحيم إضافي.

الكماشات والملحقات المستخدمة يجب تشحيمها بشكل دوري حول تجهيز SDS Plus.



## التنظيف

**تحذير:** قم بنفخ الأتربة والغبار خارج التجويف الرئيسي بواسطة الهواء الجاف عدد أكبر من المرات في حال مشاهدة تجمع الأتربة بداخل المنافذ الهوائية وحولها. قم بارتداء واقي العين المعتمد وكمامة الأتربة المعتمدة عند تنفيذ هذا الإجراء.



**تحذير:** لا تقم مطلقاً باستخدام مذيبات أو أي مواد كيميائية قاسية أخرى لتنظيف الأجزاء غير المعدنية بالأداة. إذ قد تضعف هذه المواد الكيميائية من المواد المستخدمة في هذه الأجزاء. استخدم قطعة قماش مبللة بالماء والصابون الخفيف فقط. لا تسمح قط بدخول أي سائل إلى الأداة، ولا تقم مطلقاً بغمر أي جزء من الأداة في السائل.

## الملحقات الاختيارية



**تحذير:** نظراً لأن الملحقات، بخلاف تلك التي اعتمدها DEWALT، لم تخضع للاختبار مع هذا المنتج، فإن استخدام مثل هذه الملحقات مع الأداة قد يشكل خطورة، لتقليل خطر وقوع إصابة، يجب استخدام ملحقات DEWALT الموصى بها فقط مع هذا المنتج.

توفر أنواع مختلفة من لقمات الثقب SDS Plus كخيار. استشر وكيلك لمعرفة المزيد من المعلومات حول الملحقات الملائمة.

## حماية البيئة



التجميع المنفصل. يجب عدم التخلص من المنتجات والبطاريات المحددة بهذا الرمز من خلال القمامة المنزلية العادية. فهذه المنتجات والبطاريات تحتوي على مواد يمكن استعادتها أو إعادة تدويرها لخفض الطلب على المواد الخام. الرجاء التخلص من المنتجات الكهربائية والبطاريات وفقاً للقوانين المحلية. توجد معلومات إضافية متوفرة على الموقع [www.2helpU.com](http://www.2helpU.com)

## الثقب بلقمة استخراج العينات القلبية

1. اضغط مع الاستمرار على زر محدد الوضع 5، ثم اضغط مفتاح محدد الوضع 4 على وضع الثقب بالمطرقة.
2. اضبط المقبض الجانبي 8 كما هو مطلوب.
3. أدخل لقمة استخراج العينات القلبية المناسبة.
4. قم بتجميع مثقب المركز إلى لقمة استخراج العينات القلبية.
5. ضع مثقب المركز في النقطة المحددة واضغط على مفتاح التشغيل/إيقاف التشغيل 1. لثقب حتى يخترق المركز إلى الخرسانة بمقدار 1 سم تقريباً.
6. أوقف الثقب وقرم بإزالة مثقاب المركز. قم بإرجاع لقمة استخراج العينات القلبية إلى الفتحة واستمر في الثقب.
7. عند الحفر خلال مثن الهيكل أكثر من عمق لقمة استخراج العينات القلبية، قم بفصل الأسطوانة الدائرية للخرسانة أو المركز داخل اللقمة في الفترات العادية. لتجنب الانفصال غير المرغوب فيه للخرسانة حول الفتحة، اثنب أولاً الفتحة بقطر ثقب المركز بشكل تام من خلال الهيكل. ثم اثنب الفتحة المحفورة جزئياً من كل جانب.
8. قم دوماً بإيقاف تشغيل الأداة عند الانتهاء من العمل وقبل فصل القابس.

## الحفر الرحوي (الشكل A)

1. اضغط مع الاستمرار على زر محدد الوضع 5، ثم اضغط مفتاح محدد الوضع 4 على وضع "الثقب الدوار".
  2. قم بضبط محول رأس المثقاب/ مجموعة رأس المثقاب.
  3. قم بالمتابعة كما هو موصوف في عمليات الثقب بالمطرقة.
- تحذير:** لا تستخدم مطلقاً رؤوس المثقاب القياسية في وضع الثقب بالمطرقة.



## الأداة اللولبية (الشكل A)

1. اضغط مع الاستمرار على زر محدد الوضع 5، ثم اضغط مفتاح محدد الوضع 4 على وضع "الثقب الدوار".
2. حدد اتجاه الدوران.
3. أدخل محول تثبيت مسامير البراغي الخاص من SDS Plus للاستخدام مع لقمات مفك تثبيت مسامير البراغي السداسي.
4. قم بإدخال لقمة مفك مسامير البراغي المناسبة. وعند الربط، تستخدم مسامير البراغي ذات الرؤوس المحددة للقمات المزودة بكم الباحث.
5. اضغط برفق على مفتاح السرعات المتغيرة 1 لمنع حدوث ضرر برأس مسمار البرغي، وفي الدوران للخلف (LH)، تقل سرعة الأداة تلقائياً لإزالة مسمار البرغي بسهولة.
6. في حالة مسح مسمار البراغي في قطعة العمل، حرر مفتاح السرعات المتغيرة لمنع رأس مسمار البراغي من اختراق قطعة العمل.

## التكسير والنحت (الشكل A)

1. اضغط مع الاستمرار على زر محدد الوضع 5، ثم اضغط مفتاح محدد الوضع 4 على وضع "الثقب بالمطرقة".
2. أدخل الإزميل المناسب وأدره باليد لإفقاله في الوضع.
3. قم بضبط المقبض الجانبي 8 كما هو مطلوب.
4. شغل الأداة وأبدأ العمل.
5. قم دوماً بإيقاف تشغيل الأداة عند الانتهاء من العمل وقبل فصل القابس.



### تحذير:

- لا تستخدم هذه الأداة لخلط أو ضخ السوائل القابلة للاشتعال أو الانفجار بسهولة (بنزين، كحول، وما شابه ذلك).
- بالتالي، لا تخطأ أو تقلب في أي سائل قابلة للاشتعال.

<b>Afghanistan</b>	Ariana Hafiz Zabi Co. Ltd. Dahan Bagh Squire Karte Ariana, Kabul, Afghanistan	info@arianahafiz.com	Tel: 93-0-799331079 Fax: 93-0-700007576 / 93-0-799331079
<b>Algeria</b>	Sarf Outillage Corporation 08, Rue Med Boudiaf (ex TELLA Achen) Cheraga, Alger	hakim.merdjadi@outillage-dz.com lyes@outillage-dz.com Mali.faiza@outillage-dz.com; sidahmed@outillage-dz.com	Tel: 213-0-21375130 213-0-21375131 Fax: 213-0-21369667
<b>Angola</b>	Angoferraria, Lda. Rua Robert Shields, nº 61, Luanda, Angola	angoferraria@gmail.com sequeira.angoferraria@gmail.com	Tel: 244-222-395837 / 244-222-395034 Fax: 244-222-394790
<b>Azerbaijan</b>	Royalton Holdings Ltd. 41 Khagani St. Apt. 47 AZ1001 Baku- Azerbaijan	jai@royaltonholdings.com office@royaltonholdings.com	Tel: 994-12-4935544 Fax: 994-12-5980378
<b>Egypt</b>	ElFarab S.A.E. 15-Nabil El Wakkad Street, Dokki, Giza, Egypt	elfarab@elfarab.com adel.ezzat@elfarab.com mahmoud.elhosseiny@elfarab.com	Tel: 202-37603946 Fax: 202-33352796
<b>Ethiopia</b>	Seif Tewfik Sherif Arada Sub City, Kebele 01/02, Global Insurance Bldg., 2nd Flr., Room 43, P.O. Box 2525, Addis Ababa	seif@ethionet.et nawanag@ethionet.et	Tel: 251-11-1563968 251-11-1563969 Fax: 251-11-1558009
<b>Iraq</b>	Al-Sard Co. for General Trading Ltd Jbara Bldg. 3Flr. Al Rasheed St., Baghdad, Iraq	dewalt.service@yahoo.com	Tel: 964-18184102
<b>Jordan</b>	Amman West Stores-Bashti 210 Garden St. Tla'a Ali, P.O. Box 1564 Tla Ali Amman 11953, Jordan	ali@bashistores.com yousef@bashistores.com	Tel: 962-6-5350009 Fax: 962-6-5350012
<b>Kenya</b>	Dextron Tools Ltd. P.O. Box 20121-00200, Shariff House, Kimathi Street, Nairobi	info@alibhaishariff.co.ke dextron@alibhaishariff.co.ke	Tel: 254-20-6905000 254-20-2358021 Fax: 254-20-6905111 / 254-20-6905112
<b>Lebanon</b>	Est. Shaya & Azar S.A.R.L. Boulevard Jdeideh - Mar Takla - Bouchrieh . P.O. Box 90545, Jdeideh. Beirut - Lebanon	shayazar@dm.net.lb	Tel: 961 1 872305 961 1 872306 Fax: 961 1 872303
<b>Libya</b>	North Africa Trading (El Ghoul Brothers) P.O. Box 348, 7 October Street 11 Benghazi	maryam_farooq2003@yahoo.com nagte@eim.ae dewalt_libya@yahoo.com	Tel: 218-061-3383994 Fax: 218-092-7640688
	North Africa Trading (El Ghoul Brothers) AlBarniq DeWALT Center, Mokhazin-elsukar St. ElFallah, Tripoli	dewalt_libya@yahoo.com	Tel: 218-021-3606430 Fax: 218-092-6514813
	North Africa Trading (El Ghoul Brothers) AlHilal Service Center Tawergha St., Misurata		Tel: 218-091-3221408
<b>Mauritius</b>	Robert Le Marie Limited Old Moka Road, Bell Village, P.O. Box 161, Port Louis	a.blackburn.rlm@ringroup.mu jm.pierelouis.rlm@ringroup.mu	Tel: 230-212 1865 230-212 2847 Fax: 230-2080843
<b>Morocco</b>	Ets Louis Guillaud & Cie 31, Rue Pierre Parent, Casablanca - 21000	boumadiane.azedine@elg.ma doukkali.marouane@elg.ma	Tel: 522-301446 / 305971 / 317815 / 315576 Fax: 522-444518 / 317888
<b>Nigeria</b>	Meridian Power Tools Ltd. Gr. Floor, #1 Alhaji Masha Rd, Next to Teslim Balogun Stadium, Near National Stadium Surulere, Lagos, Nigeria	braj@meridian-nigeria.com	Tel: 234-1-7740431 234-1-7740410 Fax: 234-1-7913798
<b>Pakistan</b>	Northern Toolings (Pvt) Ltd.-Lahore 86- Railway Road, Lahore - 7 Pakistan	zhayee@northern.pk import@northern.pk sales@northern.pk	Tel: 92-423-7651220 92-423-7641675 Fax: 92-423-7641674
	Northern Toolings (Pvt) Ltd.-Karachi 224-231 Industrial Town Plaza, Shahrah-e-Liaqat, Karachi, Pakistan	karachibr@northern.pk	Tel: 92-213-2465305 92-213-2465307 Fax: 92-213-2465301
	Northern Toolings (Pvt) Ltd.-Taxila Al-Rehman Plaza, Opposite Tehsil Court, Faisal Shaheed Road, Taxila	taxiabr@northern.pk	Tel: 92-51-4545811 Fax: 92-51-4544194
<b>South Africa</b>	Benray Tool Wholesalers C.C. 91 Turfontein Road, Stafford, Johannesburg, 2001 P.O. Box 260037 EXCOM 2023, South Africa	dewalt.service@benray.co.za zain@benray.co.za shafiq@benray.co.za	Tel: 27-11-6838350 Fax: 27-11-6837456
<b>Tanzania</b>	General Motors Investment Ltd. 14 Vingunguti-Nyerere Road, P.O.Box 16541, Dar es Salaam, Tanzania	ezra@gmi-tz.com info@gmi-tz.com chiwelesa@yahoo.com	Tel: 255-22-2865022 / 2862661 / 2862671 / 2862659 Fax: 255-22-2862667
<b>Tunisia</b>	Ets. Mohamed Ghorbel 03 Rue 8603 Chargaia I Tunis. Postal Code 2035	slim.ghorbel@gnet.tn moh.ghorbel@gnet.tn mourad.ghorbel@gnet.tn	Tel: 216-71794248 216-71793848 Fax: 216-71770759
<b>Uganda</b>	The Building Center (21 ) Ltd. 52 Station Road, Kitgum House, P.O. Box 7436 Kampala, Uganda	tbc@africaonline.co.ug chris@tbcu.co.ug	Tel: 256-041-4234567 256-041-4259754 Fax: 256-041-4236413
<b>Yemen</b>	Middle East Trading Co. (METCO) 5th Flr.Hayel Saeed Anam Bldg. Al-Mugamma St. Taiz, Yemen	tamer.metco@gmail.com tamer@metcotrading.com metco@metcotrading.com sami@metcotrading.com	Tel: 967-4-213455 Fax: 967-4-219869
	Middle East Trading Co. (METCO) Mualla Dakka, Aden	tamer.metco@gmail.com tamer@metcotrading.com metco@metcotrading.com	Tel: 967-2-222670 Fax: 967-2-222670
	Middle East Trading Co. (METCO) Hayel st., Sana'a, Yemen	tamer.metco@gmail.com tamer@metcotrading.com metco@metcotrading.com	Tel: 967-1-204201 Fax: 967-1-204204

<b>UAE</b>	Black & Decker (Overseas) GmbH P.O. Box 5420, Dubai	service.mea@blackdecker.com	Tel: 971-4 8127400 / 8127406 Fax: 971-4 2822765	
	Ideal Star Workshop Eqpt. Trading LLC P.O. Box 37116, Al Quoz, Dubai	idealeq@emirates.net.ae	Tel: 971-4 3474160 Fax: 971-4 3474157	
	Alebrah Engineering Service P.O. Box 78954, Al Qusais, Dubai	alebrah@eim.ae	Tel: 971-4 2850044 Fax: 971-4 2844802	
	Burj Al Madeena Industrial Area No. 1, opp. Pakistani Masjid P.O. Box 37635, Sharjah	dewaltuae@hotmail.com	Tel: 971-6 5337747 Fax: 971-6 5337719	
	McCoy Middle East LLC P.O. Box 25793, Sharjah	mccoy@emirates.net.ae	Tel: 971-6 5395931 Fax: 971-6 5395932	
	McCoy Middle East LLC P.O. Box 10584, Ras Al Khaimah	mccoyrak@gmail.com	Tel: 971-7 2277095 Fax: 971-7 2277096	
	Al Sukoon Gen. Trdg. Co. LLC P.O. Box 2975, Ajman	sukoon@eim.ae	Tel: 971-6 7435725 / 7438317 Fax: 971-6 7437350	
	Zillion Equipment and Spare Parts Trading LLC P.O. Box 19740, opp. Bin Sadal / Trimix Hedymyt Sanaiya, Al Ain	zilliontrdg@gmail.com	Tel: 971-3 7216690 Fax: 971-3 7216103	
	Light House Electrical, Abu Dhabi Branch P.O. Box 120, Abu Dhabi	dewalt_lhe@hotmail.com	Tel: 971-2 6726131 Fax: 971-2 6720667	
	Light House Electrical, Musafih Branch P.O. Box 120, Abu Dhabi	dewalt_lhe@hotmail.com	Tel: 971-2 5548315 Fax: 971-2 5540461	
	<b>Bahrain</b>	Alfouz Services Co. WLL P.O. Box 26562, Tubli, Manama	alfouz@batelco.com.bh	Tel: 973 17783562 / 17879987 Fax: 973 17783479
		Kavalani & Sons W.L.L. P.O. Box 71, Sitra, Manama	info@kavalani.com pradeep@kavalani.com	Tel: 973 17732888 Fax: 973 17737379
	<b>Kuwait</b>	Al Omar Technical Co. P.O. Box 4062, Safat 13041, Kuwait	alexotc@usa.net	Tel: 965 24848595 / 24840039 Fax: 965 24845652
		Fawaz Al Zayani Establishment P.O. Box 42426, Shop No.18, Al Humaizi Commercial Complex, Khalifa Al Jassim, Shuwaikh	dewaltkuwait@hotmail.com	Tel: 965 24828710 Fax: 965 24828716
Fawaz Al Zayani Establishment Fahaheel Industrial Area, Main St., Sanaya		dewaltkuwait@hotmail.com	Tel: 965 23925830 Fax: 965 24828716	
<b>Oman</b>	Al Jizzi Company LLC P.O. Box 1704, P.C. 112, Ruwi	aljizzid@omantel.net.om jizzi10@omantel.net.om	Tel: 968 24832618 / 24835153 Fax: 968 24831334 / 24836460	
	Al Hassan Technical & Construction Supplies Co. LLC P.O. Box 1948, P.C. 112, Ruwi	hamriya.sr@al-hassan.com abrar.h@al-hassan.com	Tel: 968 24810575 / 24837054 Fax: 968 24810287 / 24833080	
	Oman Hardware Co. LLC P.O. Box 635, Ruwi Postal Code 112	omanhard@omantel.net.om	Tel: 968 24815131 Fax: 968 24816491	
	Khimji Ramdas P.O. Box 19, Post Code 100, Ghala, Muscat	bilal.m@khimjiramdas.com	Tel: 968 24595906/ 907 Fax: 968 24852752	
<b>Qatar</b>	Teyseer Industrial Supplies & Services Co. WLL 55, Al Wakalat St. (Between St. 18 & 19) Salwa Industrial Area, P.O. Box 40523 Doha	manish@tissoo-qatar.com tool.service@tissoo-qatar.com	Tel: 974 4581536 Fax: 974 4682024	
	Shaheen Electrical Works & Trading Co. WLL Gate 34, St. 44 Industrial Area P.O. Box 9756, Doha	shaheenelc@gmail.com	Tel: 974 460 02 30 / 460 05 25 Fax: 974 460 13 38	
<b>KSA</b>	Industrial Material Organization (IMO) P.O. Box 623, Rail Street, Riyadh	service@imo.com.sa	Tel: 966-1 4028010 Ext. 26 Tel: 966-1 8001245757 Fax: 966-1 4037970	
	Fawaz Ebrahim Al Zayani Trading Est. P.O. Box 76026, Al Raka : 31952	dewaltdammam@hotmail.com	Tel: 966-3 8140914 Fax: 966-3 8140824	
	MSS (Al-Mojil Supply & Services) P.O. Box 450, Jubail 31951 Opp-Gulf Bridge Library & Riyadh House	mssjubail@almojilservices.com alex.chang@almojilservices.com	Tel: 966-3 3612850 / 3624487 Tel: 966-3 3621729 Fax: 966-3 3623589 / 3620783	
	EAC (Al Yousef Contg. & Trdg. Est.) P.O. Box 30377, Jeddah - 21477	golamkibria77@yahoo.com	Tel: 966-2 6519912 Fax: 966-2 6511153	
	Mohamed Ahmed Bin Afif Est. P.O. Box 530, Yanbu, Al Bahr	binaffiybanbu@hotmail.com	Tel: 966-4 3222626 / 3228867 Fax: 966-4 3222210	
	Garziz Trading for Bldg Mat & Decoration P.O. Box 3364, Madina	agarziz@yahoo.com	Tel: 966-4 826 14 90 / 822 76 36 Fax: 966-4 826 57 41	
	Sultan Garment Factory (RSC) P.O. Box 29912, Riyadh 11467	rscservice@dlignt.net.sa	Tel: 966-1 4055148 / 4042889 Fax: 966-1 4055148	
	Al Bawardi Tools & Hardware P.O. Box 112, Dammam 31411	asattar@albawardi.com nibanez@albawardi.com	Tel: 966-3 8330780 Ext. 24 Tel: 966-3 8348585 Ext. 24 Fax: 966-3 8336303	
	Al Bawardi Tools & Hardware P.O. Box 68, Riyadh 11411	rbaltao@albawardi.com asamad@albawardi.com	Tel: 966-1 4484999 Fax: 966-3 4487877	
	Al Bawardi Tools & Hardware P.O. Box 16905, Jeddah 21474	sharadij@albawardi.com fgaber@albawardi.com	Tel: 966-2 6444547 / 6439035 Tel: 966-2 6456095 Fax: 966-2 6439024	