

www.blackanddecker.eu

FSMH1300FX

EN

DE

FR

IT

NL

ES

PT

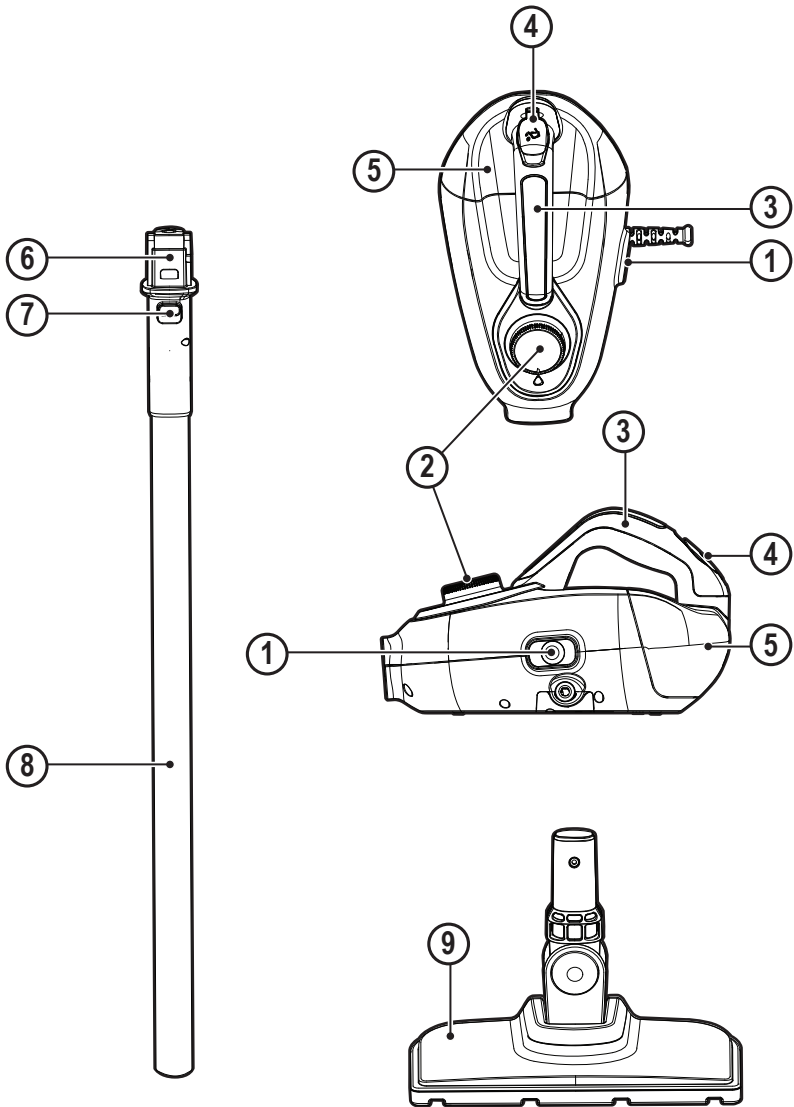
SV

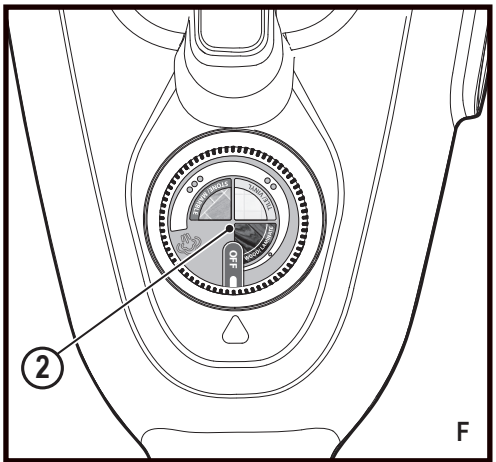
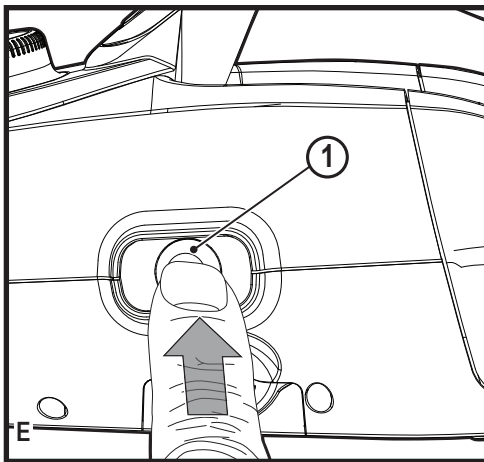
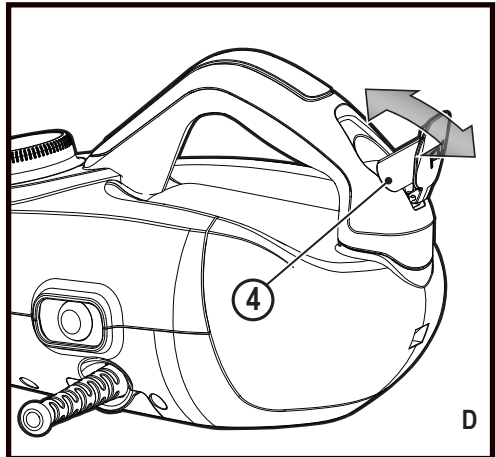
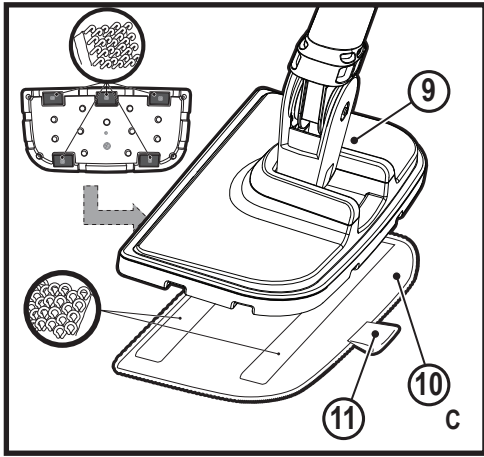
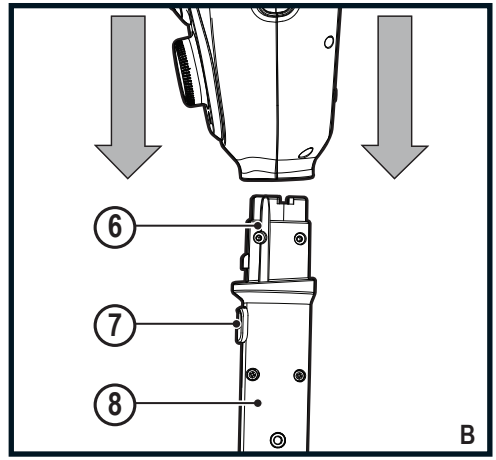
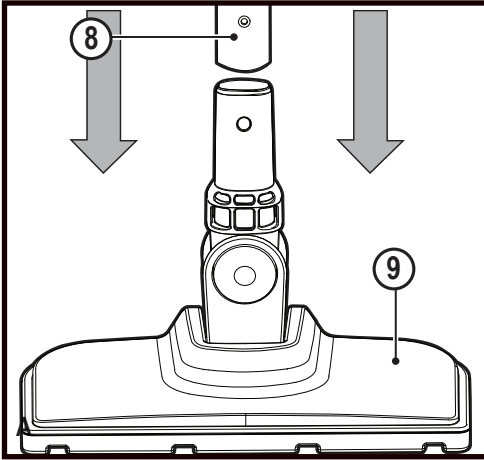
NO

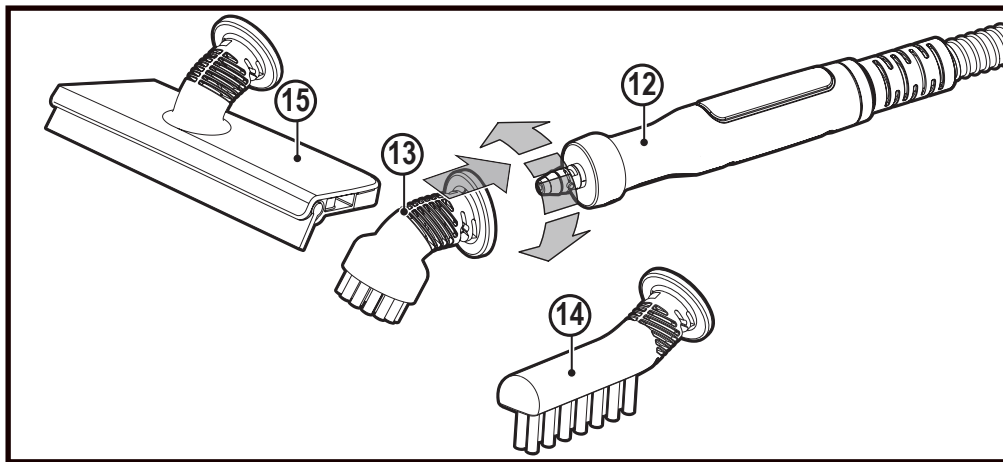
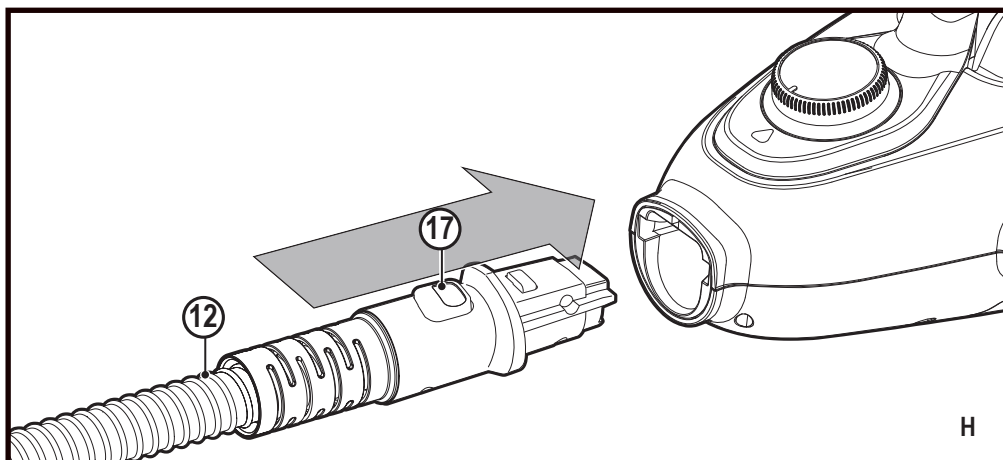
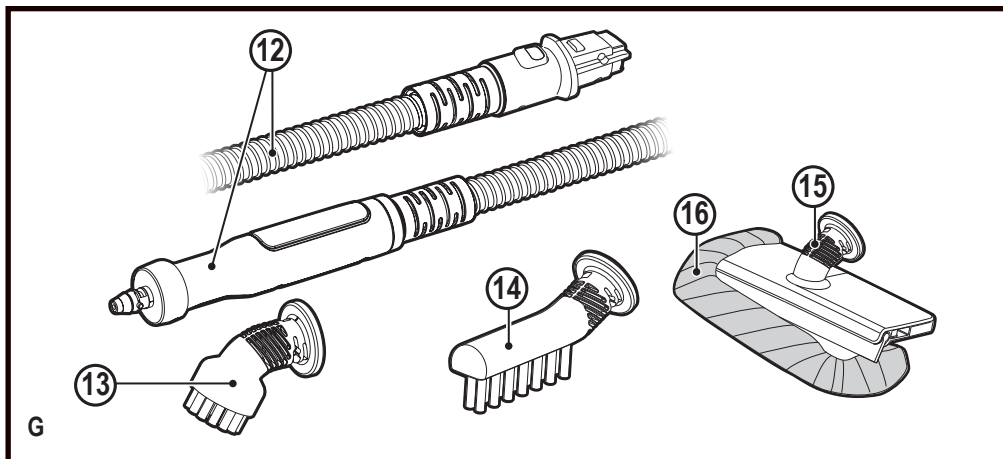
DK

FI

EL







Intended use

Your BLACK+DECKER™ FSMH1300FX steam mop has been designed for sanitising and cleaning sealed hardwood, sealed laminate, linoleum, vinyl, ceramic tile, stone and marble floors. This appliance is intended for indoor household use only.

Safety Instructions



Warning! Read all safety warnings and all instructions. Failure to follow the warnings and instructions listed below may result in electric shock, fire and/or serious injury.



Warning! When using mains-powered appliances, basic safety precautions, including the following, should always be followed to reduce the risk of fire, electric shock, personal injury and material damage.

- ◆ The intended use is described in this manual.
The use of any accessory or attachment or the performance of any operation with this appliance other than those recommended in this instruction manual may present a risk of personal injury.
- ◆ Retain this manual for future reference.

Using your appliance

- ◆ Do not direct steam at people, animals, electrical appliances or electrical outlets.
- ◆ Do not expose to rain.
- ◆ Do not immerse the appliance in water.

- ◆ Do not leave the appliance unattended.
- ◆ Do not leave the appliance connected to an electrical outlet when not in use.
- ◆ Never pull the power lead to disconnect the appliance from the socket. Keep the appliance lead away from heat, oil and sharp edges.
- ◆ Do not handle steam cleaner with wet hands.
- ◆ Do not pull or carry by cord, use cord as a handle, close door on cord, pull cord around sharp corners or expose cord to heated surfaces.
- ◆ Do not use appliance in an enclosed space filled with vapour given off by oil-base paint thinner, some moth-proofing substances, flammable dust, or other explosive or toxic vapours.
- ◆ Check the type of floor with the manufacturer.
- ◆ Do not use on leather, wax polished furniture or floors, synthetic fabrics, velvet or other delicate, steam-sensitive materials.



Warning! Do not use on unsealed wood or unsealed laminate floors. On surfaces that have been treated with wax or some no wax floors, the sheen may be removed by the heat and steam action. It is always recommended to test an isolated area of the surface to be cleaned before proceeding. We also recommend that you check the use and care instructions from the floor manufacturer.

- ◆ Never put descaling, aromatic, alcoholic or detergent products into the steam cleaner, as this may damage it or make it unsafe for use.
- ◆ If the home circuit breaker activates while using the steam function, discontinue product use immediately and contact the customer support centre. (Beware of the risk of electrical shock.)
- ◆ The appliance emits very hot steam to sanitize the area of use. This means that the steam head, cleaning pads and carpet attachment get very hot during use.

Caution! Always wear suitable shoes when using your steam mop and when changing the accessories on your steam mop. Do not wear slippers or open toed footwear.

- ◆ The lid may become hot during use.
- ◆ Steam may escape from the appliance during use.
Care should be taken when using this appliance. DO NOT touch any parts which may become hot during use.
- ◆ Switch the appliance off and return the handle to the upright position before removing the water tank.
- ◆ If steam is observed escaping from the body of the hand held steam cleaner, switch off and disconnect the unit from the mains supply, allow to cool. Contact your nearest authorised repair agent. Do not continue to use the appliance.

After use

- ◆ Unplug the appliance and allow to cool before cleaning.
- ◆ When not in use, the appliance should be stored in a dry place.
- ◆ Children should not have access to stored appliances.

Inspection and repairs

- ◆ Unplug the appliance and allow to cool before performing any maintenance or repairs.
- ◆ Before use, check the appliance for damaged or defective parts. Check for breakage of parts, damage to switches and any other conditions that may affect its operation.
- ◆ Regularly check the power lead for damage.
- ◆ Do not use the appliance if any part is damaged or defective.
- ◆ Have any damaged or defective parts repaired or replaced by an authorized repair agent.
- ◆ Never attempt to remove or replace any parts other than those specified in this manual.

Safety of others

- ◆ This appliance can be used by children aged from 8 years and above and persons with reduced physical, sensory or mental capabilities or lack of experience and knowledge if they have been given supervision or instruction concerning use of the appliance in a safe way and understand the hazards involved.

Children shall not play with the appliance. Cleaning and user maintenance shall not be made by children without supervision.

- ◆ Children should be supervised to ensure that they do not play with the appliance.

Residual risks

Additional residual risks may arise when using the tool which may not be included in the enclosed safety warnings. These risks can arise from misuse, prolonged use etc.

Even with the application of the relevant safety regulations and the implementation of safety devices, certain residual risks can not be avoided. These include:

- ◆ Injuries caused by touching any moving parts.
- ◆ Injuries caused by touching any hot parts.
- ◆ Injuries caused when changing any parts or accessories.
- ◆ Injuries caused by prolonged use of the appliance. When using any appliance for prolonged periods ensure you take regular breaks.

Electrical safety



Warning! This product must be earthed. Always check that the power supply corresponds to the voltage on the rating plate.

Power plugs must match the outlet.

Never modify the plug in any way.

Unmodified plugs and matching outlets will reduce risk of electric shock.

- ◆ If the supply cord is damaged, it must be replaced by the manufacturer or an authorised BLACK+DECKER Service Centre in order to avoid a hazard.

Extension cables & Class 1 product

- ◆ A 3-core cable must be used as your appliance is earthed and of Class 1 construction.
- ◆ Up to 30m (100 ft) can be used without loss of power.

Labels on appliance

The following pictograms along with the date code are shown on the appliance.



CAUTION Hot Steam



Do not leave unsupervised with young children



Wash at 60°C. Do not use bleach or fabric softener

Features

This appliance includes some or all of the following features.

1. On/off switch
2. Autoselect™ dial
3. Hand held steam unit handle
4. Filler cap
5. Water tank
6. Interface
7. Floor extension release button
8. Floor extension
9. Floor cleaning head
10. Cleaning pad
11. Cleaning pad removal tab
12. Accessory attachment hose
13. Angle brush accessory (for use on hard to remove stains)
14. Brush accessory (for use on tiles / grout)
15. Squeegee accessory (for use on shower screens / glass / mirrors / clothing / upholstery)
16. Squeegee sock

Assembly



Warning! Before attempting any of the following instructions, make sure that the appliance is switched off and unplugged and the appliance is cold and does not contain any water.

Attaching the floor extension to the floor cleaning head (Fig. A)

- ◆ Push the floor extension (8) firmly into the floor cleaning head (9) making sure it clicks securely into place.

Attaching the hand held steam unit to the floor extension (Fig. B)

- ◆ Push the hand held steam unit firmly onto the floor extension (8) making sure it sits correctly over the interface (6) and clicks securely into place.

Warning! Inspect the seal between the connection point on the hand held steam cleaner and the floor extension (8) before each use. If the seal malfunctions or is damaged, please contact your nearest authorised repair agent. Do not use the appliance.

Removing the hand held steam unit

- ◆ Push the release button (7) on the floor extension (8) and lift the hand held steam unit off the interface (6).

Attaching a cleaning pad (Fig. C)

Replacement cleaning pads are available from your BLACK+DECKER dealer :- (cat no. FSMP20-XJ).

- ◆ Place a cleaning pad (10) on the floor with the velcro 'loop' side facing up.
- ◆ Lightly press the steam mop down onto the cleaning pad (10).

Caution! Never leave the steam mop in one spot on any surface for any period of time. Always place the steam mop supported in the upright position when stationary and make sure the steam mop is turned off when not in use.

Removing a cleaning pad

Caution! Always wear suitable shoes when changing the cleaning pad on your steam mop.

Do not wear slippers or open toed footwear.

- ◆ Return the steam mop to the upright position and turn the steam mop 'OFF'.
- ◆ Wait until the steam mop cools down (approximately 5 minutes).
- ◆ Lift the steam mop away from the cleaning pad freeing it from the velcro fastening by putting weight on the cleaning pad removal tab (11).

Caution! Never leave the steam mop in one spot on any surface for any period of time.

Always place the steam mop supported in the upright position when stationary and make sure the steam mop is turned off when not in use.

Filling the water tank (Fig. D)

Note! Fill the water tank with clean tap water (Do not use any additives or chemicals).

Note! In areas of hard water, the use of de-ionised water is recommended.

- ◆ Open the filler cap (4) by flipping it up.
- ◆ Fill the water tank with water (Do not use any additives or chemicals).

Warning! When filling, maintain in a horizontal position.

Warning! Your water tank has a 0.5 litre capacity. Do not over fill the tank.

- ◆ Close the filler cap (4).

Note! Ensure the filler cap is firmly secured.

Use

Important! This unit will kill 99.9% of bacteria and germs when used in accordance with the instructions in this manual and with the micro fibre pads fitted and a continuous run time of 90 seconds.

Switching on and off (Fig. F)

- ◆ To switch the appliance on, press the ON/Off switch (1). It takes approximately 15 seconds for the steam mop to heat up.
- ◆ To switch the appliance off, press the ON/Off switch (1).

Caution! Never leave the steam mop in one spot on any surface for any period of time.

Always place the steam mop supported in the upright position when stationary and make sure the steam mop is turned off when not in use.




Caution! Always empty the steam mop after use.

Note! When first filled or after running dry, it can take up to 45 seconds for steam to be produced.

Autoselect™ Technology (Fig. E)

This steam mop is fitted with an Autoselect™ dial (2) which shows various cleaning applications. They are used to select the correct operating mode for your particular cleaning operation.

Using Autoselect™, choose from one of the following applications by turning the Autoselect™ dial (2) until the required setting is selected.

Setting	Mop	Hand held
	Wood/ Laminate	Low steam flow ●
	Tiles/Vinyl	Medium steam flow ● ●
	Stone/ Marble	High steam flow ● ● ●

The steam mop will select the correct volume of steam required for your particular cleaning operation.

Note: Always check you are using the correct setting before using your steam mop.

Attaching the hose and accessories to the hand held steam cleaner

Warning! Inspect the seal between the connection point on the hand held steam cleaner and the steam hose (12) before each use. If the seal malfunctions or is damaged, please contact your nearest authorised repair agent. Do not use the appliance.

Attaching the hose (Fig. H)

- ◆ Press the steam hose release button (17) on the steam hose (12).
- ◆ Connect the steam hose (12) to the hand held steam cleaner and release the steam hose release button (17) making sure it clicks into place.

Important! Ensure that the steam hose (12) is securely connected to the hand held steam cleaner. If steam escapes from the joint, the hose is incorrectly fitted. Switch off, allow the unit to cool then remove and refit the hose.

Warning! The unit should be switched off before the hose is fitted.

Attaching accessories (Fig I)

- ◆ Align the lugs on the steam nozzle (12) with the recesses on the accessory.
- ◆ Press the accessory onto the steam nozzle and twist anti-clockwise until the accessory clicks into place.

Important! All accessories must be attached to the steam hose (12) for use.

Removing the hose and accessories

Warning! The steam hose (12), Steam nozzle and accessories become hot during use. Allow the unit and all accessories to cool before attempting to remove.

Removing an accessory

- ◆ Twist the accessory clockwise then pull away from the hose (12).

Removing the hose

- ◆ Press the steam hose release button (17) on the steam hose (12) and pull away from the hand held steam unit.

Hints for optimum use

General

Caution: Never use the steam mop without first attaching a cleaning pad.

- ◆ Always vacuum or sweep the floor before using the steam mop.
- ◆ The easiest way to use the appliance is to tilt the unit to a 45° angle and clean slowly, covering a small area at a time.
- ◆ Use water only with no additives or chemicals with your steam mop. To remove stubborn stains from vinyl or linoleum floors, you can pre-treat with a mild detergent and some water before using the steam mop.

Steam Cleaning with the mop

- ◆ Fit hand steam cleaner to the floor extension (8)
- ◆ Place a cleaning pad (10) on the floor with the velcro 'loop' side facing up.
- ◆ Lightly press the steam mop down onto the cleaning pad (10).
- ◆ Connect the steam mop to the mains.
- ◆ Press the ON/OFF button (1). It takes approximately 15 seconds for the steam mop to heat up.
- ◆ Turn the Autoselect™ dial (2) until the required setting is reached. After a few seconds steam will start to come out of the steam head.

Note! When first filled or after running dry, it can take up to 45 seconds for steam to be produced.

- ◆ It takes a few seconds for steam to enter the cleaning pad. The steam mop will now glide easily over the surface to be sanitized/cleaned.
- ◆ Push and pull the steam mop slowly across the surface to thoroughly steam clean each section.
- ◆ When you have finished using the steam mop, return the handle (8) to the upright position, making sure that it is supported and turn it 'OFF'. Wait until the steam mop cools down (approximately five minutes).

Caution! It is important to monitor the water level in the water tank. To refill the water tank and continue to sanitize/clean stand the mop upright making sure that it is supported and turn the steam mop 'OFF'. Unplug the unit from the electrical wall outlet, and refill the water tank.

Caution! Never leave the steam mop in one spot on any surface for any period of time. Always place the steam mop supported in the upright position when stationary and make sure the steam mop is turned off when not in use.

After use

- ◆ Turn the Autoselect™ dial (2) to the OFF position.
- ◆ Wait until the steam mop cools down.
- ◆ Unplug the steam mop from the electrical wall outlet.
- ◆ Empty the water tank.
- ◆ remove the cleaning pad (10) and wash it ready for next use (take care to follow the wash care instructions printed on the cleaning pad).

Accessories

The performance of your appliance depends on the accessory used. BLACK+DECKER accessories are engineered to high quality standards and designed to enhance the performance of your appliance. By using these accessories you will get the very best from your equipment.

Hand held steam cleaning

Warning! ! Maintain the unit in a horizontal position during use.

- ◆ Attach the required accessory.
- ◆ Connect the hand held steam cleaner to the mains.
- ◆ Press the ON/OFF button (1). It takes approximately 15 seconds for the steam mop to heat up.
- ◆ Turn the Autoselect™ dial (2) until the required setting is reached. After a few seconds steam will start to come out of the steam head.

Note! When first filled or after running dry, it can take up to 45 seconds for steam to be produced.

- ◆ When you have finished using the hand held steam cleaner turn the Autoselect™ dial (2) to the OFF position. Turn the unit OFF by pressing the ON/OFF button (1) and disconnect from the mains supply. Wait until the unit cools down before storing (approximately five minutes).

Technical Data

FSMH1300FX Type 2		
Voltage	V _{ac}	230
Power	W	1300
Tank Capacity	ml	500
Weight	kg	2.4

Troubleshooting

If your appliance seems not to operate properly, follow the instructions below. If this does not solve the problem, please contact your local BLACK+DECKER repair agent.

Problem	Step	Possible solution
The steam mop is not turning on	1.	Check the unit is plugged in at the wall socket.
	2.	Check the unit is switched on using the ON/OFF switch (1)
	3.	Check the fuse in the plug.

Problem	Step	Possible solution
The steam mop is not producing steam	4.	The steam mop will only produce steam if the hand held steam cleaner (5) is correctly docked into the main body (11) or the steam hose is fitted or the Autoselect™ is turned to ON
	5.	Check that the water tank is full. Note: When first filled or after running dry it can take up to 45 seconds for steam to be produced.
	6.	Check steps 1, then 2, then 3
The steam mop stops producing steam during use	7.	Check steps 4, then 5, then 3
The steam mop is producing too much steam during use	8.	Turn the Autoselect™ dial (2) anti-clockwise to reduce the amount of steam being produced
The steam mop is producing too little steam during use	9.	Turn the Autoselect™ dial (2) clockwise to increase the amount of steam being produced
Where can I get further information/ accessories	10.	www.blackanddecker.co.uk/steammop www.blackanddecker.ie/steammop

(Übersetzung der ursprünglichen Anweisungen)

Verwendungszweck

Your BLACK+DECKER™ Dampfreiniger FSMH1300FX wurde zum hygienischen Säubern von Bodenbelägen aus versiegeltem Hartholz, Laminat, Linoleum, PVC, Keramikfliesen, Stein und Marmor entwickelt. Dieses Gerät darf nur im Innenbereich verwendet werden und ist nicht für den gewerblichen Einsatz vorgesehen.

Sicherheitshinweise




Warnung! Lesen Sie alle Sicherheitswarnhinweise und alle Anweisungen. Die Nichteinhaltung der folgenden Warnungen und Anweisungen kann einen elektrischen Schlag, Brand und/oder schwere Verletzungen verursachen.



Warnung! Beachten Sie beim Umgang mit netzstrombetriebenen Geräten stets die grundlegenden Sicherheitshinweise, die im Folgenden beschrieben werden. Dadurch verhindern Sie Brände, Stromschläge sowie Sach- und Personenschäden.

- ◆ Der vorgesehene Verwendungszweck ist in dieser Anleitung beschrieben. Bei Verwendung von Zubehör oder Anbauteilen, die nicht in dieser Anleitung empfohlen werden, sowie bei der Verwendung des Geräts in Abweichung von den in dieser Anleitung beschriebenen Verfahren besteht Verletzungsgefahr.
- ◆ Bewahren Sie diese Anleitung auf.
- ◆ Verwenden Sie das Gerät nicht in geschlossenen Räumen, in denen Dämpfe von Verdünnungsmitteln für Ölfarben, bestimmte Mottenschutzmittel, brennbare Stäube oder andere explosive bzw. giftige Dämpfe austreten.
- ◆ Lassen Sie die Art des Bodenbelags durch den Hersteller bestätigen.
- ◆ Verwenden Sie das Gerät nicht auf Leder, gewachsten Möbelstücken oder Böden, synthetischem Gewebe, Samt oder empfindlichen Materialien, die durch Dampf beschädigt werden können.

Verwendung des Geräts

- ◆ Richten Sie den Dampfstrahl nicht auf Menschen, Tiere, elektrische Geräte oder Steckdosen.
 - ◆ Nicht Regen aussetzen.
 - ◆ Tauchen Sie das Gerät nicht in Wasser.
 - ◆ Lassen Sie das Gerät niemals unbeaufsichtigt.
 - ◆ Trennen Sie die Stromversorgung des Geräts, wenn dieses nicht verwendet wird.
 - ◆ Ziehen Sie den Netzstecker nicht am Kabel aus der Netzsteckdose. Achten Sie darauf, dass das Gerätekabel nicht in Kontakt mit starker Hitze, Öl oder scharfkantigen Gegenständen kommt.
 - ◆ Bedienen Sie den Dampfreiniger nicht mit nassen Händen.
 - ◆ Verwenden Sie das Kabel nicht zum Ziehen bzw. Tragen des Geräts oder als Haltegriff. Achten Sie darauf, dass das Kabel nicht in Türen eingeklemmt, über scharfe Kanten gezogen oder Hitzequellen ausgesetzt wird.
-  **Warnung!** Verwenden Sie das Gerät nicht auf unversiegelten Holz- und Laminatböden. Der Glanz gewachster und bestimmter ungewachster Oberflächen wird möglicherweise durch den heißen Dampf beeinträchtigt. Es wird empfohlen, die Reinigungswirkung zunächst an einer unauffälligen Stelle zu testen. Beachten Sie auch die Anweisungen des jeweiligen Herstellers zu Gebrauch und Pflege des Bodenbelags.
- ◆ Befüllen Sie den Dampfreiniger nicht mit Entkalker, alkoholhaltigen Stoffen sowie Duft- oder Reinigungsmitteln, da das Gerät hierdurch beschädigt oder die Gerätesicherheit beeinträchtigt werden kann.

- ◆ Stellen Sie die Verwendung des Geräts unmittelbar ein, und wenden Sie sich an den Kundendienst, wenn der Schutzschalter bei Verwendung der Dampffunktion ausgelöst wird. (Es besteht die Gefahr eines Stromschlags.)
- ◆ Das Gerät erzeugt zur hygienischen Säuberung der Anwendungsoberfläche Dampf mit sehr hoher Austrittstemperatur. Deshalb können Reinigungskopf, Bodentuch und Teppichaufsatz bei Betrieb des Geräts sehr heiß werden.

Achtung! Tragen Sie bei der Verwendung des Dampfreinigers und dem Austausch der Zubehörteile zweckmäßiges Schuhwerk. Tragen Sie keine Hausschuhe oder Sandalen.

- ◆ Der Gerätedeckel kann während des Betriebs heiß werden.
- ◆ Bei Verwendung des Geräts kann Dampf austreten. Das Gerät ist mit Vorsicht zu betreiben. Teile, die während des Betriebs heiß werden können, dürfen NICHT BERÜHRT WERDEN.
- ◆ Schalten Sie das Gerät aus, und bewegen Sie den Griff in die aufrechte Stellung, bevor Sie den Wassertank entfernen.
- ◆ Schalten Sie das Gerät aus, trennen Sie es von der Stromversorgung, und lassen Sie das Gerät abkühlen, wenn Dampf aus dem Gehäuse des Handdampfreinigers austritt. Wenden Sie sich an eine Vertragswerkstatt in Ihrer Nähe.

Das Gerät darf nicht weiter verwendet werden.

Nach dem Gebrauch

- ◆ Ziehen Sie den Netzstecker, und lassen Sie das Gerät vor dem Reinigen abkühlen.
- ◆ Bewahren Sie das Gerät bei Nichtgebrauch an einem trockenen Ort auf.
- ◆ Kinder sollten keinen Zugang zu aufbewahrten Geräten haben.

Inspektion und Reparaturen

- ◆ Ziehen Sie vor der Durchführung von Wartungsarbeiten oder Reparaturen den Netzstecker, und lassen Sie das Gerät abkühlen.
- ◆ Prüfen Sie das Gerät vor der Verwendung auf beschädigte oder defekte Teile. Prüfen Sie, ob Teile gebrochen sind, Schalter beschädigt sind oder andere Bedingungen vorliegen, welche die Funktion beeinträchtigen könnten.
- ◆ Überprüfen Sie das Netzkabel in regelmäßigen Abständen auf Beschädigungen.
- ◆ Betreiben Sie das Gerät nicht, wenn Teile beschädigt oder defekt sind.
- ◆ Lassen Sie beschädigte oder defekte Teile in einer Vertragswerkstatt reparieren oder austauschen.
- ◆ Ersetzen oder entfernen Sie keine Teile, für die in dieser Anleitung keine entsprechende Beschreibung enthalten ist.

Sicherheit anderer Personen

- ◆ Dieses Gerät darf von Kindern ab 8 Jahren und Personen mit eingeschränkten körperlichen, sensorischen oder geistigen Fähigkeiten sowie mangelnder Erfahrung und Wissen in Bezug auf dessen Gebrauch bedient werden, wenn sie bei der Verwendung des Geräts beaufsichtigt oder angeleitet werden und die möglichen Gefahren verstehen. Kinder dürfen nicht mit dem Gerät spielen. Reinigung und Wartungsarbeiten dürfen von Kindern nur unter Aufsicht durchgeführt werden.
- ◆ Kinder müssen beaufsichtigt werden, um sicherzustellen, dass sie nicht mit dem Gerät spielen.

Restrisiken

Beim Gebrauch dieses Geräts verbleiben zusätzliche Restrisiken, die möglicherweise nicht in den Sicherheitswarnungen genannt werden. Diese Risiken bestehen beispielsweise bei Missbrauch oder längerem Gebrauch. Auch bei der Einhaltung der entsprechenden Sicherheitsvorschriften und der Verwendung aller Sicherheitsgeräte bestehen weiterhin bestimmte Restrisiken. Diese sind:

- ◆ Verletzungen, die durch das Berühren von sich bewegenden Teilen verursacht werden.
- ◆ Verletzungen, die durch das Berühren von erhitzten Teilen verursacht werden.

- ◆ Verletzungen, die durch das Austauschen von Teilen oder Zubehör verursacht werden.
- ◆ Verletzungen, die durch längeren Gebrauch des Geräts verursacht werden. Legen Sie bei längerem Gebrauch regelmäßige Pausen ein.

Elektrische Sicherheit



Warnung! Das Gerät muss geerdet werden. Überprüfen Sie immer, dass die Stromversorgung der Spannung auf dem Typenschild entspricht.

Der Netzstecker des Gerätes muss in die Steckdose passen. Ändern Sie niemals den Stecker in irgendeiner Form. Unveränderte Stecker und passende Steckdosen mindern die Gefahr eines elektrischen Schlages.

- ◆ Bei einer Beschädigung des Netzkabels muss dieses durch den Hersteller oder eine BLACK+DECKER Vertragswerkstatt ausgetauscht werden, um mögliche Gefahren zu vermeiden.

Verlängerungskabel und Produkt der Klasse 1

- ◆ Wenn das Gerät geerdet ist, und es sich um ein Produkt der Klasse 1 handelt, muss ein dreidriges Kabel verwendet werden.
- ◆ Bis zu einer Kabellänge von 30 m treten keine Leistungsverluste auf.

Warnsymbole am Gerät

Folgende Piktogramme sowie der Datumcode befinden sich auf dem Gerät.



VORSICHT Heißer Dampf.
Verbrühungsgefahr.



Lassen Sie kleine Kinder
nicht unbeaufsichtigt



Bei 60°C waschen.
Keine Bleichmittel oder
Weichspüler verwenden.

Merkmale

Dieses Gerät verfügt über einige oder alle der folgenden Merkmale:

1. Ein-/Aus-Schalter
2. Autoselect™-Programmwahl
3. Griff des Handdampfreinigers
4. Verschlusskappe
5. Wassertank
6. Verbindungsstelle
7. Lösetaste für Parkettdüsenverlängerung
8. Parkettdüsenverlängerung
9. Bodenreinigungsdüse
10. Reinigungstuch
11. Lasche zum Entfernen des Reinigungstuchs
12. Zubehörfestigungsschlauch
13. Winkelbürstenzubehör (für schwer entfernbare Flecken)
14. Bürstenzubehör (für Fliesen/Mörtel)
15. Gummiabzieherzubehör (für Duschwände/Glas/Spiegel/Bekleidung/Polster)
16. Hülle für Gummiabzieher

Montage



Warnung! Vergewissern Sie sich vor Ausführung der folgenden Schritte, dass das Gerät ausgeschaltet ist und der Netzstecker gezogen wurde. Weiterhin muss das Gerät abgekühlt sein und darf kein Wasser enthalten.

Anbringen der Parkettdüsenverlängerung an der Bodenreinigungsdüse (Abb. A)

- ◆ Drücken Sie die Parkettdüsenverlängerung (8) fest in die Bodenreinigungsdüse (9) und achten Sie dabei darauf, dass sie richtig einrastet.

Anbringen des Handdampfreinigers an der Parkettdüsenverlängerung (Abb. B)

- ◆ Drücken Sie den Handdampfreiniger fest auf die Parkettdüsenverlängerung (8) und achten Sie dabei

darauf, dass sie richtig auf der Verbindungsstelle (6) sitzt und einrastet.

Warnung! Überprüfen Sie vor jedem Gebrauch die Dichtung zwischen dem Verbindungspunkt am Handdampfreiniger und der Parkettdüsenverlängerung (8). Wenden Sie sich an eine Vertragswerkstatt in Ihrer Nähe, wenn die Dichtung nicht funktioniert oder beschädigt ist. Das Gerät darf nicht weiter verwendet werden.

Entfernen des Handdampfreinigers

- ◆ Drücken Sie auf die Lösetaste (7) auf der Parkettdüsenverlängerung (8) und ziehen Sie den Handdampfreiniger von der Verbindungsstelle (6) ab.

Anbringen eines Reinigungstuchs (Abb. C)

Ersatztücher erhalten Sie im BLACK+DECKER Fachhandel: – (Katalognr. F5MP20-XJ).

- ◆ Legen Sie ein Reinigungstuch (10) mit den Klettverschlüssen nach oben auf den Boden.
- ◆ Drücken Sie den Dampfreiniger vorsichtig auf das Reinigungstuch (10).

Achtung! Stellen Sie den Dampfreiniger – ungeachtet der jeweiligen Oberfläche – keinesfalls längere Zeit an einer Stelle ab. Stellen Sie den Dampfreiniger stets in aufrechter Stellung ab. Stellen Sie sicher, dass der Dampfreiniger ausgeschaltet ist, wenn dieser nicht verwendet wird.

Entfernen eines Reinigungstuchs

Achtung! Tragen Sie beim Wechseln des Reinigungstuchs stets zweckmäßiges Schuhwerk.

Tragen Sie keine Hausschuhe oder Sandalen.

- ◆ Bringen Sie den Dampfreiniger in die aufrechte Stellung und schalten Sie ihn AUS.
- ◆ Warten Sie, bis der Dampfreiniger abgekühlt ist, bevor Sie diesen verstauen (etwa 5 Minuten).
- ◆ Heben Sie den Dampfreiniger vom Reinigungstuch ab und lösen Sie dabei die Klettverschlüsse, indem Sie auf Lasche zum Entfernen des Reinigungstuchs (11) drücken.

Achtung! Stellen Sie den Dampfreiniger – ungeachtet der jeweiligen Oberfläche – keinesfalls längere Zeit an einer Stelle ab.

Stellen Sie den Dampfreiniger stets in aufrechter Stellung ab. Stellen Sie sicher, dass der Dampfreiniger ausgeschaltet ist, wenn dieser nicht verwendet wird.

Füllen des Wassertanks (Abb. D)

Hinweis! Füllen Sie den Wassertank mit sauberem Leitungswasser. (Verwenden Sie keine Zusatzstoffe oder Chemikalien.)

Hinweis! In Regionen mit kalkhaltigem Wasser wird die Verwendung von destilliertem Wasser empfohlen.

- ◆ Öffnen Sie die Verschlusskappe (4), indem Sie diese nach oben klappen.

- ◆ Füllen Sie den Wassertank mit Leitungswasser. (Verwenden Sie keine Zusatzstoffe oder Chemikalien.).

Warnung! Füllen Sie den Tank nur in horizontaler Position auf.

Warnung! Der Tank hat eine Kapazität von 0.5 l. Überfüllen Sie den Tank nicht.

- ◆ Schließen Sie die Verschlusskappe (4).

Hinweis! Stellen Sie sicher, dass die Verschlusskappe fest sitzt.

Verwendung

Wichtig! Mit diesem Gerät können 99,9 % der Bakterien und Keime abgetötet werden, wenn es gemäß der Anweisungen in diesem Handbuch mit dem Mikrofasertuch und mindestens 90 Sekunden lang verwendet wird.

Ein- und Ausschalten (Abb. F)

- ◆ Zum Einschalten des Geräts drücken Sie den Ein-/Aus-Schalter (1). Der Dampfreiniger benötigt zum Erreichen der Betriebstemperatur ca. 15 Sekunden.
- ◆ Drücken Sie den Ein-/Aus-Schalter (1), um das Gerät auszuschalten.

Achtung! Stellen Sie den Dampfreiniger – ungeachtet der jeweiligen Oberfläche – keinesfalls längere Zeit an einer Stelle ab.

Stellen Sie den Dampfreiniger stets in aufrechter Stellung ab. Stellen Sie sicher, dass der Dampfreiniger ausgeschaltet ist, wenn dieser nicht verwendet wird.

Achtung! Leeren Sie den Dampfreiniger nach jedem Gebrauch.

Hinweis! Nach dem ersten Befüllen oder nachdem der Tank vollständig leer war, kann es bis zu 45 Sekunden dauern, bis Dampf erzeugt wird.

Autoselect™-Technologie (Abb. E)

Dieser Dampfreiniger ist mit einer Autoselect™-Programmwahl (2) für unterschiedliche Reinigungsanwendungen ausgestattet. Die Programmwahl dient zum Auswählen des richtigen Betriebsmodus für die entsprechende Reinigungsanwendung.

Wählen Sie über Autoselect™ eine der folgenden Anwendungen aus, indem Sie den Autoselect™-Regler (2) drehen, bis die gewünschte Einstellung angezeigt wird.

Einstellung	Mopp	Handgerät
	Holz/Laminat	Geringe Dampfmenge ●
	Fiesen/PVC	Mittlere Dampfmenge ● ●
	Stein/Marmor	Hohe Dampfmenge ● ● ●

Der richtige Dampfausstoß für die entsprechende Reinigungsanwendung wird vom Dampfreiniger automatisch ausgewählt.

Hinweis: Überprüfen Sie vor dem Verwenden des Dampfreinigers stets, ob die richtige Einstellung ausgewählt ist.

Anbringen des Schlauchs und Zubehörs am Handdampfreiniger

Warnung! Überprüfen Sie vor jedem Gebrauch die Dichtung zwischen dem Verbindungspunkt am Handdampfreiniger und dem Dampfschlauch (12). Wenden Sie sich an eine Vertragswerkstatt in Ihrer Nähe, wenn die Dichtung nicht funktioniert oder beschädigt ist. Das Gerät darf nicht weiter verwendet werden.

Anbringen des Schlauchs (Abb. H)

- ◆ Drücken Sie die Freigabetaste des Dampfschlauchs (17) am Dampfschlauch (12).
- ◆ Schließen Sie den Dampfschlauch (12) am Handdampfreiniger an, lassen Sie die Freigabetaste des Dampfschlauchs (17) los und achten Sie darauf, dass sie einrastet.

Wichtig! Stellen Sie vor der Verwendung des Handdampfreinigers sicher, dass der Dampfschlauch (12) ordnungsgemäß daran angebracht ist. Wenn aus der Verbindungsstelle Dampf entweicht, ist der Schlauch falsch montiert. Schalten Sie das Gerät aus, warten Sie, bis es abgekühlt ist, und bringen Sie den Schlauch wieder an.

Warnung! Das Gerät sollte ausgeschaltet werden, bevor der Schlauch angebracht wird.

Anbringen von Zubehörteilen (Abb. I)

- ◆ Richten Sie die Halterungen am Dampfdüse (12) an den Aussparungen am Zubehörteil aus.
- ◆ Drücken Sie das Zubehörteil auf den Schlauch und drehen Sie das Zubehörteil entgegen dem Uhrzeigersinn, bis dieses einrastet.

Wichtig! Alle Zubehörteile müssen am Dampfschlauch (12) angebracht werden.

Entfernen des Schlauchs und Zubehörs

Warnung! Der Dampfschlauch (12), die Dampfdüse und die Zubehörteile werden bei Betrieb heiß. Warten Sie, bis das Gerät und alle Zubehörteile abgekühlt sind, bevor Sie versuchen, Teile abzunehmen.

Entfernen von Zubehörteilen

- ◆ Drehen Sie das Zubehörteil im Uhrzeigersinn und ziehen Sie es vom Schlauch (12) ab.

Entfernen des Schlauchs

- ◆ Drücken Sie die Freigabetaste für den Dampfschlauch (17) am Dampfschlauch (12) und ziehen

Sie ihn vom Handdampfreiniger weg.

Hinweise für optimale Arbeitsergebnisse

Allgemeines

Vorsicht: Verwenden Sie den Dampfreiniger keinesfalls ohne Reinigungstuch.

- ◆ Reinigen Sie den Boden vor der Verwendung des Dampfreinigers stets mit einem Staubsauger bzw. einem Besen.
- ◆ Das Gerät lässt sich am einfachsten verwenden, wenn Sie den Griff in einem Winkel von 45° Grad neigen und jeweils nur eine kleine Fläche bearbeiten.
- ◆ Verwenden Sie den Dampfreiniger nur mit Wasser ohne Zusätze oder Chemikalien. Hartnäckige Flecken auf PVC- oder Linoleumböden können mit einem milden Reinigungsmittel und Wasser vorbehandelt werden, um die Arbeit mit dem Dampfreiniger zu erleichtern.

Dampfreinigung mit dem Mopp

- ◆ Bringen Sie den Handdampfreiniger an der Parkettdüsenverlängerung (8) an.
- ◆ Legen Sie ein Reinigungstuch (10) mit den Klettverschlüssen nach oben auf den Boden.
- ◆ Drücken Sie den Dampfreiniger vorsichtig auf das Reinigungstuch (10).
- ◆ Schließen Sie den Dampfreiniger an die Stromversorgung an.
- ◆ Drücken Sie den Ein-/Aus-Schalter (1). Der Dampfreiniger benötigt zum Erreichen der Betriebstemperatur ca. 15 Sekunden.
- ◆ Stellen Sie die Autoselect™-Programmwahl (2) auf die gewünschte Einstellung. Nach wenigen Sekunden tritt Dampf aus dem Reinigungskopf aus.

Hinweis! Nach dem ersten Befüllen oder nachdem der Tank vollständig leer war, kann es bis zu 45 Sekunden dauern, bis Dampf erzeugt wird.

- ◆ Es dauert einige Sekunden, bis der Dampf das Reinigungstuch durchdringt. Anschließend gleitet der Dampfreiniger mühelos über die zu reinigende Oberfläche.
- ◆ Bewegen Sie den Dampfreiniger langsam über die Oberfläche, um alle Bereiche gründlich zu reinigen.
- ◆ Wenn Sie mit der Arbeit mit dem Dampfreiniger fertig sind, stellen Sie den Griff (8) in die aufrechte Position, so dass er abgestützt wird, und schalten Sie das Gerät AUS. Warten Sie, bis der Dampfreiniger abgekühlt ist, bevor Sie diesen verstauen (etwa fünf Minuten).

Achtung! Achten Sie stets auf den Wasserpegel im Tank. Bewegen Sie den Dampfreiniger in die aufrechte Stellung, so dass es abgestützt ist, und schalten Sie das Gerät aus, um den Wassertank aufzufüllen und mit dem Reinigen

fortzufahren. Trennen Sie das Gerät von der Stromversorgung und befüllen Sie den Wassertank.

Achtung! Stellen Sie den Dampfreiniger – ungeachtet der jeweiligen Oberfläche – keinesfalls längere Zeit an einer Stelle ab. Stellen Sie den Dampfreiniger stets in aufrechter Stellung ab. Stellen Sie sicher, dass der Dampfreiniger ausgeschaltet ist, wenn dieser nicht verwendet wird.

Nach dem Gebrauch

- ◆ Stellen Sie die Autoselect™-Programmwahl (2) in die Position 'OFF' (AUS).
- ◆ Warten Sie, bis der Dampfreiniger abgekühlt ist, bevor Sie diesen verstauen.
- ◆ Ziehen Sie den Netzstecker.
- ◆ Leeren Sie den Wassertank.
- ◆ Entfernen Sie das Reinigungstuch (10) und waschen Sie es, damit es für den nächsten Einsatz bereit ist. (Beachten Sie die Pflegehinweise auf dem Reinigungstuch.)

Zubehör

Das verwendete Zubehör hat wesentlichen Einfluss auf die Leistung des Geräts. Zubehörteile von BLACK+DECKER erfüllen höchste Qualitätsstandards und wurden speziell für die Verwendung mit Ihrem Gerät entwickelt. Bei Verwendung dieses Zubehörs erhalten Sie stets optimale Ergebnisse.

Verwenden des Handdampfreinigers

Warnung! Verwenden Sie ihn nur in horizontaler Position.

- ◆ Bringen Sie das gewünschte Zubehörteil an.
- ◆ Stecken Sie den Netzstecker des Handdampfreinigers ein.
- ◆ Drücken Sie den Ein-/Aus-Schalter (1). Der Dampfreiniger benötigt zum Erreichen der Betriebstemperatur ca. 15 Sekunden.
- ◆ Stellen Sie die Autoselect™-Programmwahl (2) auf die gewünschte Einstellung. Nach wenigen Sekunden tritt Dampf aus dem Reinigungskopf aus.

Hinweis! Nach dem ersten Befüllen oder nachdem der Tank vollständig leer war, kann es bis zu 45 Sekunden dauern, bis Dampf erzeugt wird.

- ◆ Wenn Sie mit der Arbeit mit dem Handdampfreiniger fertig sind, stellen Sie die Autoselect™-Programmwahl (2) in die Position 'OFF' (AUS). Schalten Sie das Gerät aus, indem Sie den Ein-/Aus-Schalter (1) drücken und den Netzstecker aus der Steckdose ziehen. Warten Sie, bis das Gerät abgekühlt ist, bevor Sie es verstauen (ca. fünf Minuten).

Technische Daten

FSMH1300FX		
Spannung	V _{AC}	230
Elektrowerkzeuge	W	1300
Fassungsvermögen des Tanks	ml	500
Gewicht	kg	2,4

Fehlerbehebung

Wenn das Gerät nicht richtig zu funktionieren scheint, befolgen Sie die nachfolgenden Hinweise. Sollte sich das Problem nicht beheben lassen, wenden Sie sich an eine BLACK+DECKER Vertragswerkstatt in Ihrer Nähe.

Problem	Schritt	Mögliche Lösung
Der Dampfreiniger lässt sich nicht einschalten	1.	Überprüfen Sie, ob der Stecker in der Steckdose steckt.
	2.	Prüfen Sie, ob das Gerät mit dem Ein-/Aus-Schalter (1) eingeschaltet wurde.
	3.	Prüfen Sie die Sicherung im Stecker.
Der Dampfreiniger erzeugt keinen Dampf	4.	Der Dampfreiniger erzeugt nur Dampf, wenn der Handdampfreiniger (5) richtig in das Hauptteil (11) eingesteckt oder der Dampfschlauch angebracht wurde oder wenn die Autoselect™-Programmwahl auf ON (EIN) steht.
	5.	Überprüfen Sie, ob der Wassertank voll ist. Hinweis: Nach dem ersten Befüllen oder nachdem der Tank vollständig leer war, kann es bis zu 45 Sekunden dauern, bis Dampf erzeugt wird.
	6.	Überprüfen Sie Schritt 1, dann 2, dann 3.
Der Dampfreiniger hört während der Verwendung mit der Dampferzeugung auf.	7.	Überprüfen Sie Schritt 4, dann 5, dann 3.
Der Dampfreiniger erzeugt bei der Verwendung zu viel Dampf.	8.	Drehen Sie die Autoselect™-Programmwahl (2) gegen den Uhrzeigersinn, um die Menge an erzeugtem Dampf zu reduzieren.
Der Dampfreiniger erzeugt bei der Verwendung zu wenig Dampf.	9.	Drehen Sie die Autoselect™-Programmwahl (2) im Uhrzeigersinn, um die Menge an erzeugtem Dampf zu erhöhen.
Wo kann ich weitere Informationen/Zubehör bekommen?	10.	www.blackanddecker.co.uk/steam mop www.blackanddecker.ie/steam mop

Utilisation prévue

Votre balai vapeur BLACK+DECKER™ FSMH1300FX a été conçu pour désinfecter et nettoyer les sols en parquet, en stratifié, en linoléum, en vinyle, en carrelage céramique, en pierre et en marbre. Il est destiné à une utilisation à l'intérieur et exclusivement domestique.

Consignes de sécurité



Avertissement ! Lisez tous les avertissements et toutes les consignes de sécurité.

Le non-respect des avertissements et des instructions listés ci-dessous peut entraîner des chocs électriques, des incendies et/ou de graves blessures.



Avertissement ! L'utilisation d'appareils alimentés sur secteur implique le respect de certaines précautions de sécurité élémentaires, dont celles qui suivent, afin de réduire les risques d'incendie, de choc électrique, de blessures et de dégâts matériels.

- ◆ Ce manuel décrit la manière d'utiliser l'appareil.

L'utilisation d'un accessoire ou d'un équipement ou l'utilisation de cet appareil à d'autres fins que celles recommandées dans ce manuel d'instructions peut présenter un risque de blessures.

- ◆ Conservez ce manuel pour pouvoir vous y référer dans le futur.

Utilisation de votre appareil

- ◆ N'orientez pas la vapeur vers des personnes, des animaux, des appareils électriques ou des prises.

- ◆ Ne pas exposer à la pluie.
- ◆ Ne plongez pas l'appareil dans l'eau.
- ◆ Ne laissez pas l'appareil sans surveillance.
- ◆ Ne laissez pas l'appareil branché à une prise s'il ne doit pas être utilisé.
- ◆ Ne tirez jamais sur le fil électrique pour le débrancher. Maintenez le fil de l'appareil éloigné de toute source de chaleur, de zones grasses et de bords tranchants.
- ◆ N'utilisez pas le balai vapeur avec les mains humides.
- ◆ Le fil ne doit pas être tiré ou servir de poignée. Il ne doit pas être coincé par une porte, glisser sur des coins anguleux ou approcher de surfaces chaudes.
- ◆ N'utilisez pas l'appareil dans un espace restreint où se dégage de la vapeur provenant d'un diluant chimique, certaines substances antimites, de la poussière inflammable ou autres vapeurs explosives ou toxiques.
- ◆ Vérifiez le type de sol avec le fabricant.
- ◆ N'utilisez pas sur du cuir, des meubles ou des sols cirés, des tissus synthétiques, des velours ou autres tissus délicats, des matériaux ne résistant pas à la vapeur.



Avertissement ! N'utilisez pas sur des sols en bois ou en bois

lamellé non vernis. Sur les surfaces traitées avec de la cire ou sur certains sols non cirés, la chaleur et les vapeurs peuvent faire disparaître la brillance.

Il est toujours recommandé de tester sur une zone de la surface à nettoyer avant de commencer. Nous recommandons aussi de vérifier les instructions d'utilisation et de précautions du fabricant du sol.

- ◆ Ne jamais utiliser de détartrant, de produit parfumé, d'alcool ou de détergents dans le balai vapeur, ceci aurait pour effet de l'endommager, voire même d'être dangereux.
- ◆ Si le disjoncteur se déclenche pendant l'utilisation du balai vapeur, arrêtez immédiatement de l'utiliser et contactez le service client. (Soyez prudent face au risque de choc électrique).
- ◆ L'appareil diffuse de la vapeur à très haute température pour désinfecter la zone d'utilisation. Cela signifie que les embouts deviennent extrêmement chauds.

Attention ! Portez toujours des chaussures adaptées pour utiliser le balai vapeur ainsi que pour changer d'accessoire. Ne portez pas de chaussons ou de pieds-nus.

- ◆ Le couvercle peut devenir chaud pendant l'utilisation.
- ◆ La vapeur peut s'échapper de l'appareil pendant l'utilisation. Toutes les précautions doivent être prises pour utiliser l'appareil. NE TOUCHEZ AUCUNE PIÈCE qui pourrait devenir chaude.
- ◆ Mettez l'appareil hors tension et placez le manche en position verticale avant de retirer le réservoir d'eau.

- ◆ Si la vapeur s'échappe du corps du nettoyeur vapeur, éteignez l'appareil et débranchez-le du secteur. Laissez-le refroidir. Contactez le réparateur agréé le plus proche de chez vous. N'utilisez plus l'appareil.

Après utilisation

- ◆ Débranchez l'appareil et laissez-le refroidir avant de le nettoyer.
- ◆ Quand il n'est pas utilisé, l'appareil doit être rangé dans un endroit sec.
- ◆ Les enfants ne doivent jamais avoir accès aux appareils un fois qu'ils sont rangés.

Vérification et réparations

- ◆ Avant toutes opérations d'entretien ou réparations, débranchez l'appareil et laissez-le refroidir.
- ◆ Avant d'utiliser l'appareil, vérifiez qu'aucune de ses pièces n'est endommagée ou défectueuse. Contrôlez l'absence de pièces cassées, d'interrupteurs endommagés et de toutes autres anomalies susceptibles de nuire au bon fonctionnement de l'appareil.
- ◆ Vérifiez régulièrement l'état du fil électrique.
- ◆ N'utilisez pas l'appareil si l'une de ses pièces est endommagée ou défectueuse.
- ◆ Faites réparer ou remplacer les pièces défectueuses ou endommagées par un réparateur agréé.
- ◆ Ne tentez jamais de retirer ou de remplacer des pièces autres que celles indiquées dans ce manuel.

Sécurité des personnes

- ◆ Cet appareil peut être utilisé par des enfants de 8 ans ou plus et par des personnes aux capacités physiques, mentales ou sensorielles déficientes ou qui manquent d'expérience ou de connaissance s'ils sont supervisés ou ont été formés à l'utilisation sûre de l'appareil et qu'ils sont conscients des risques potentiels. Ne laissez pas les enfants jouer avec l'appareil. Le nettoyage et la maintenance à réaliser par l'utilisateur ne doivent pas être entrepris par des enfants sans surveillance.
- ◆ Les enfants doivent être surveillés pour garantir qu'ils ne jouent pas avec l'appareil.

Risques résiduels

Certains risques résiduels autres que ceux mentionnés dans les avertissements sur la sécurité peuvent survenir en utilisant l'outil. Ces risques peuvent être provoqués par une utilisation incorrecte, prolongée, etc. Malgré l'application des normes de sécurité pertinentes et la mise en œuvre de dispositifs de sécurité, certains risques résiduels ne peuvent pas être évités. Ils comprennent :

- ◆ Les blessures dues au contact avec des pièces mobiles.
- ◆ Les blessures dues au contact avec des pièces brûlantes.
- ◆ Les blessures dues au changement de pièces ou d'accessoires.

- ◆ Les blessures dues à l'utilisation prolongée de l'appareil. Lorsque vous utilisez l'appareil pendant de longues périodes, assurez-vous de faire des pauses régulières.



Ne laissez jamais l'appareil sans surveillance en présence de jeunes enfants



Lavez à 60°C. N'utilisez pas d'eau de javel, ni d'adoucissant

Sécurité électrique



Avertissement ! Cet appareil doit être relié à la terre. Assurez-vous toujours que l'alimentation électrique correspond à la tension mentionnée sur la plaque signalétique.

La fiche d'alimentation doit correspondre à la prise de courant. Ne modifiez jamais la prise d'aucune sorte. L'utilisation de prises d'origine et de prises murales appropriées permet de réduire le risque de choc électrique.

- ◆ Si le câble d'alimentation est endommagé, il doit être remplacé par le fabricant ou par un centre d'assistance BLACK+DECKER agréé afin d'éviter tout accident.

Rallonges et produit de Classe 1

- ◆ Un câble tripolaire doit être utilisé quand l'appareil est relié à la terre et de Classe 1.
- ◆ Une longueur de 30 m (100 ft) peut être utilisée sans perte de puissance.

Étiquettes apposées sur l'appareil

Les pictogrammes suivants ainsi que le codé daté sont apposés sur l'outil.



ATTENTION Vapeur bouillante

Caractéristiques

Cet appareil présente tout ou partie des caractéristiques suivantes.

1. Interrupteur Marche/Arrêt
2. Molette Autoselect™
3. Poignée de l'appareil à vapeur portable
4. Bouchon de remplissage
5. Réservoir d'eau
6. Interface
7. Bouton de libération de la rallonge pour les sols
8. Rallonge pour les sols
9. Tête de nettoyage pour les sols
10. Patin de nettoyage
11. Patte de libération du patin de nettoyage
12. Tube pour fixation des accessoires
13. Brosse triangulaire (à utiliser sur les taches tenaces)
14. Brosse (à utiliser sur le carrelage / les joints)
15. Raclette (à utiliser sur les parois de douches / le verre / les miroirs / les garnitures/ les tissus d'ameublement)
16. Chaussette de raclette

Assemblage



Avertissement ! Avant d'exécuter ce qui suit, assurez-vous que l'appareil est éteint, débranché, qu'il est froid et ne contient pas d'eau.

Fixation de la rallonge pour sols sur la tête de nettoyage pour sols (Fig. A)

- ◆ Enfoncez fermement la rallonge pour sols (8) dans la tête de nettoyage pour sols (9) en vous assurant qu'elle s'enclenche bien en place.

Fixation de l'appareil à vapeur portable sur la rallonge pour sols (Fig. B)

- ◆ Enfoncez fermement l'appareil à vapeur portable dans la rallonge pour sols (8) en vous assurant qu'il a une bonne assise sur l'interface (6) et qu'il s'enclenche bien en place.

Avertissement ! Contrôlez le joint entre le point de raccordement du nettoyeur vapeur portable et la rallonge pour sols (8) avant chaque utilisation. Si le joint dysfonctionne ou est endommagé, contactez votre réparateur agréé le plus proche. N'utilisez pas l'appareil.

Retrait de l'appareil à vapeur portable

- ◆ Enfoncez le bouton de libération (7) sur la rallonge pour sols (8) et soulevez l'appareil à vapeur portable hors de l'interface (6).

Fixation d'un patin de nettoyage (Fig. C)

Vous trouverez des patins de nettoyage de rechange auprès de votre revendeur BLACK+DECKER (cat. n° FSMP20-XJ).

- ◆ Placez un patin de nettoyage (10) sur le sol, côté avec le Velcro bouclé vers le haut.
- ◆ Appuyez légèrement le balai vapeur sur le patin de nettoyage (10).

Attention ! Ne laissez jamais le balai vapeur trop longtemps au même endroit. Placez toujours le balai vapeur à la verticale quand il est à l'arrêt et assurez-vous que le balai vapeur est éteint lorsqu'il n'est pas utilisé.

Retrait du patin de nettoyage

Attention ! Portez toujours des chaussures adaptées pour remplacer le patin de nettoyage de votre balai vapeur. Ne portez pas de chaussons ou de pieds-nus.

- ◆ Remplacez le balai vapeur à la verticale et éteignez-le.
- ◆ Attendez que le balai vapeur ait refroidi (environ 5 minutes).
- ◆ Retirez le balai vapeur du patin de nettoyage en appuyant sur la patte de libération du patin de nettoyage (11) pour dissocier les fixations en Velcro.

Attention ! Ne laissez jamais le balai vapeur trop longtemps au même endroit.

Placez toujours le balai vapeur à la verticale quand il est à l'arrêt et assurez-vous que le balai vapeur est éteint lorsqu'il n'est pas utilisé.

Remplissage du réservoir d'eau (Fig. D)

Remarque ! Remplissez le réservoir d'eau avec de l'eau propre du robinet (n'utilisez aucun additif ou produit chimique).

Remarque ! Dans les zones où l'eau est calcaire, l'utilisation d'eau déminéralisée est recommandée.

- ◆ Ouvrez le bouchon de remplissage (4) en le basculant vers le haut.
- ◆ Remplissez le réservoir d'eau avec de l'eau (n'utilisez aucun additif ou produit chimique).

Avertissement ! Gardez une position horizontale pendant le remplissage.

Avertissement ! La capacité du réservoir d'eau est de 0.5 l. Ne remplissez pas trop le réservoir.

- ◆ Refermez le bouchon de remplissage (4).

Remarque ! Assurez-vous que le bouchon de remplissage est fermement refermé.

Utilisation

Important ! Cet appareil détruit 99.9 % des bactéries et germes pour autant qu'il soit utilisé conformément aux consignes décrites dans le présent manuel, avec des patins en microfibre et en fonctionnant en continu pendant 90 secondes.

Mise en marche et extinction (Fig. F)

- ◆ Pour mettre l'appareil en marche, appuyez sur l'interrupteur Marche/Arrêt (1). Le balai vapeur a besoin d'environ 15 secondes pour chauffer.
- ◆ Pour éteindre l'appareil, appuyez sur l'interrupteur Marche/Arrêt (1).

Attention ! Ne laissez jamais le balai vapeur trop longtemps au même endroit.

Placez toujours le balai vapeur à la verticale quand il est à l'arrêt et assurez-vous que le balai vapeur est éteint lorsqu'il n'est pas utilisé.




Attention ! Videz toujours le balai vapeur après utilisation.

Remarque ! Au premier remplissage ou après avoir fonctionné à vide, la production de vapeur peut prendre jusqu'à 45 secondes.

Technologie Autoselect™ (Fig. E)

Ce balai vapeur est équipé d'une molette Autoselect™ (2) qui permet différents types de nettoyage. Elle permet de sélectionner le mode de fonctionnement approprié au nettoyage que vous souhaitez.

Grâce à Autoselect™, choisissez l'une des applications suivantes en tournant la molette Autoselect™ (2) jusqu'à atteindre le paramètre voulu.

Réglage	Balai	À main
	Bois/Lamellé	Vapeur faible ●
	Carrelage/ Vinyle	Vapeur moyenne ● ●
	Pierre/ Marbre	Vapeur élevée ● ● ●

Le balai vapeur sélectionne le volume de vapeur approprié au nettoyage choisi.

Remarque : Contrôlez toujours que le réglage est correct avant d'utiliser votre balai vapeur.

Fixation du tuyau et des accessoires sur le nettoyeur à vapeur portable

Avertissement ! Contrôlez le joint entre le point de raccordement du nettoyeur à vapeur portable et le tuyau vapeur (12) avant chaque utilisation.

Si le joint dysfonctionne ou est endommagé, contactez votre réparateur agréé le plus proche. N'utilisez pas l'appareil.

Fixation du tuyau (Fig. H)

- ◆ Appuyez sur le bouton de libération du tuyau vapeur (17) sur le tuyau vapeur (12).
- ◆ Raccordez le tuyau vapeur (12) au nettoyeur à vapeur portable et relâchez le bouton de libération du tuyau vapeur (17) en vous assurant qu'il s'enclenche bien en place.

Important ! Assurez-vous que le tuyau vapeur (12) est correctement raccordé au nettoyeur à vapeur portable. Si de la vapeur s'échappe du joint, cela indique que le tuyau n'est pas correctement installé. Éteignez l'appareil et laissez-le refroidir avant de retirer et de réinstaller le tuyau.

Avertissement ! L'appareil doit être éteint avant d'y installer le tuyau.

Fixation des accessoires (Fig. I)

- ◆ Alignez les pattes sur la buse vapeur (12) avec les encoches de l'accessoire.
- ◆ Enfoncez l'accessoire sur la buse vapeur et tournez-le dans le sens inverse des aiguilles d'une montre jusqu'à ce qu'il s'enclenche en place.

Important ! Tous les accessoires doivent être raccordés au tuyau vapeur (12) pour être utilisés.

Retrait du tuyau et des accessoires

Avertissement ! Le tuyau de vapeur (12), la buse vapeur et les accessoires deviennent chauds pendant l'utilisation. Laissez l'appareil et tous les accessoires refroidir avant de retirer ces derniers.

Retrait d'un accessoire

- ◆ Tournez l'accessoire dans le sens des aiguilles d'une montre, avant de le tirer hors du tuyau (12).

Retrait du tuyau

- ◆ Appuyez sur le bouton de libération du tuyau vapeur (17) sur le tuyau de vapeur (12) et retirez ce dernier de l'appareil à vapeur portable.

Conseils pour une utilisation optimale

Généralités

Attention : N'utilisez jamais le balai vapeur sans y avoir d'abord installé un patin de nettoyage.

- ◆ Aspirez ou balayez toujours le sol avant d'utiliser le balai vapeur.
- ◆ Le moyen le plus simple d'utiliser l'appareil est de l'incliner à 45° et de nettoyer lentement en couvrant de petites zones à la fois.

- ◆ Utilisez uniquement de l'eau dans votre balai vapeur, sans aucun additif ou produit chimique. Afin d'éliminer les taches tenaces sur les sols en vinyle ou en lino, vous pouvez les pré-traiter avec un mélange de détergent doux et d'eau, avant d'utiliser le balai vapeur.

Nettoyage vapeur avec le balai

- ◆ Installez le nettoyeur à vapeur portable sur la rallonge pour sols (8)
- ◆ Placez un patin de nettoyage (10) sur le sol, côté avec le Velcro bouclé vers le haut.
- ◆ Appuyez légèrement le balai vapeur sur le patin de nettoyage (10).
- ◆ Branchez le balai vapeur au secteur.
- ◆ Appuyez sur le bouton Marche/Arrêt (1). Le balai vapeur a besoin d'environ 15 secondes pour chauffer.
- ◆ Tournez la molette Autoselect™ (2) jusqu'à atteindre le bon réglage. Après quelques secondes, la vapeur commence à s'échapper de la tête vapeur.

Remarque ! Au premier remplissage ou après avoir fonctionné à vide, la production de vapeur peut prendre jusqu'à 45 secondes.

- ◆ La vapeur met quelques secondes pour atteindre le patin de nettoyage. Une fois fait, le balai vapeur glisse facilement sur la surface à désinfecter/nettoyer.
- ◆ Déplacez lentement le balai vapeur d'avant en arrière sur la surface pour nettoyer chaque zone à fond grâce à la vapeur.
- ◆ Une fois terminé, relevez le manche (8) à la verticale en vous assurant qu'il est soutenu et éteignez le balai. Attendez que le balai vapeur ait refroidi (environ cinq minutes).

Attention ! Il est important de surveiller le niveau d'eau dans le réservoir. Pour faire le plein d'eau et continuer à désinfecter/nettoyer, placez le balai à la verticale en vous assurant qu'il est soutenu et éteignez-le. Débranchez l'appareil de la prise de courant murale, et remplissez le réservoir d'eau.

Attention ! Ne laissez jamais le balai vapeur trop longtemps au même endroit. Placez toujours le balai vapeur à la verticale quand il est à l'arrêt et assurez-vous que le balai vapeur est éteint lorsqu'il n'est pas utilisé.

Après utilisation

- ◆ Tournez la molette Autoselect™ (2) jusqu'à la position Arrêt.
- ◆ Attendez que le balai vapeur refroidisse.
- ◆ Débranchez le balai vapeur de la prise de courant murale.
- ◆ Videz le réservoir d'eau.
- ◆ Retirez le patin de nettoyage (10) et lavez-le pour qu'il soit prêt pour la prochaine utilisation (prenez soin de respecter les instructions de lavage imprimées sur les patins de nettoyage).

Accessoires

Les performances de votre appareil dépendent des accessoires utilisés. Les accessoires BLACK+DECKER sont élaborés dans le respect de normes de qualité supérieures et ils sont conçus pour améliorer les performances de votre appareil. L'utilisation de ces accessoires vous permet de tirer le meilleur de votre équipement.

Nettoyage vapeur avec l'appareil portable

Avertissement ! Maintenez l'appareil à l'horizontale pendant l'utilisation.

- ◆ Fixez l'accessoire nécessaire.
- ◆ Branchez le nettoyeur vapeur portable au secteur.
- ◆ Appuyez sur le bouton Marche/Arrêt (1). Le balai vapeur a besoin d'environ 15 secondes pour chauffer.
- ◆ Tournez la molette Autoselect™ (2) jusqu'à atteindre le bon réglage. Après quelques secondes, la vapeur commence à s'échapper de la tête vapeur.

Remarque ! Au premier remplissage ou après avoir fonctionné à vide, la production de vapeur peut prendre jusqu'à 45 secondes.

- ◆ Quand vous avez fini de vous servir du nettoyeur vapeur portable, tournez la molette Autoselect™ (2) en position Arrêt. Éteignez l'appareil en appuyant sur le bouton Marche/Arrêt (1) et débranchez-le du secteur. Patientez jusqu'à ce que l'appareil refroidisse avant de le ranger (environ cinq minutes).

Données techniques

FSMH1300FX		
Tension	V_{ca}	230
Puissance	W	1300
Capacité du réservoir	ml	500
Poids	kg	2.4

Dépannage

Si votre appareil semble ne pas fonctionner correctement, suivez les instructions ci-dessous. Si le problème persiste, veuillez contacter votre réparateur local BLACK+DECKER.

Problème	Étape	Solution possible
Le balai vapeur ne s'allume pas	1.	Vérifiez que l'appareil est branché dans une prise murale.
	2.	Vérifiez que l'appareil a bien été allumé à l'aide de l'interrupteur Marche/Arrêt (1)
	3.	Vérifiez le fusible de la prise.

Problème	Étape	Solution possible
Le balai vapeur ne produit pas de vapeur	4.	Le balai vapeur ne produit de la vapeur que si le nettoyeur vapeur portable (5) est correctement raccordé au corps principal (11) ou que le tuyau de vapeur est installé ou que la molette Autoselect™ est en position Marche
	5.	Vérifiez que le réservoir d'eau est plein. Remarque : Au premier remplissage ou après avoir fonctionné à vide, la production de vapeur peut prendre jusqu'à 45 secondes.
	6.	Vérifiez l'étape 1, puis 2, puis 3
Le balai vapeur cesse de produire de la vapeur pendant l'utilisation	7.	Vérifiez l'étape 4, puis 5, puis 3
Le balai vapeur produit trop de vapeur pendant l'utilisation	8.	Tournez la molette Autoselect™ (2) dans le sens inverse des aiguilles d'une montre afin de réduire la quantité de vapeur produite
Le balai vapeur produit trop peu de vapeur pendant l'utilisation	9.	Tournez la molette Autoselect™ (2) dans le sens des aiguilles d'une montre afin d'augmenter la quantité de vapeur produite
Où puis-je obtenir plus d'informations/d'accessoires	10.	www.blackanddecker.co.uk/steam mop www.blackanddecker.ie/steam mop

(Traduzione del testo originale)

ITALIANO

Use previsto

La lavapavimenti a vapore steam-mop FSMH1300FX BLACK+DECKER™ è stata progettata per igienizzare e pulire pavimenti in legno massello sigillato, laminato sigillato, linoleum, vinile, piastrelle di ceramica, pietra e marmo. Questo elettrodomestico è stato progettato esclusivamente per uso domestico e all'interno.

Istruzioni di sicurezza



Avvertenza! Leggere attentamente tutte le avvertenze e le istruzioni.

L'inosservanza delle avvertenze e istruzioni elencate di seguito potrebbe dar luogo a scossa elettrica, incendi e/o lesioni gravi alle persone.



Avvertenza! Quando si usano elettrodomestici alimentati elettricamente, osservare sempre le normali precauzioni di sicurezza per ridurre il rischio di incendio, scossa elettrica, lesioni personali e danni materiali.

- ◆ L'uso previsto è descritto in questo manuale.
Se questo apparecchio viene utilizzato con accessori o per impieghi diversi da quelli raccomandati in questo manuale vi è il rischio che si verifichino lesioni alle persone.
- ◆ Conservare questo manuale per successiva consultazione.

Impiego dell'apparecchio

- ◆ Non puntare il getto di vapore verso persone, animali, apparecchiature elettriche o prese di corrente.
- ◆ Non esporre alla pioggia.
- ◆ Non immergere l'apparecchio in acqua.
- ◆ Non lasciare l'apparecchio incustodito.
- ◆ Non lasciare l'apparecchio collegato a una presa di corrente quando non viene usato.
- ◆ Non tirare mai il cavo di alimentazione per scollegare l'alimentatore dalla presa di corrente. Tenere il cavo dell'apparecchio lontano da calore, olio e bordi taglienti.
- ◆ Non usare la scopa a vapore con le mani bagnate.

- ◆ Non tirarla o trasportarla dal cavo di alimentazione, non usare il cavo come manico, non chiudere la porta incastrando il cavo, non tirare il cavo attorno a spigoli aguzzi e non appoggiarlo su superfici riscaldate.
- ◆ Non usare l'apparecchio in ambienti chiusi pieni di vapori esalati da solventi per vernici a olio, sostanze antitarne, polveri infiammabili o altri vapori esplosivi o tossici.
- ◆ Controllare il tipo di pavimentazione rivolgendosi al fabbricante.
- ◆ Non usare su pellame, mobili o pavimenti lucidati a cera, tessuti sintetici, velluto o altri tessuti delicati sensibili al vapore.



Avvertenza! Non usare su pavimenti in legno o in laminato non sigillati. Sulle superfici trattate con cera o su alcuni pavimenti senza cera, l'azione del calore e del vapore potrebbero eliminare la lucentezza. Si consiglia sempre di fare una prova su di un'area isolata della superficie da pulire prima di procedere. Consigliamo anche di controllare le istruzioni d'uso e manutenzione fornite dal fabbricante della pavimentazione.

- ◆ Non versare mai prodotti anticalcare, aromatici, alcolici o detergenti nella scopa a vapore per non danneggiarla o renderne poco sicuro l'impiego.

- ◆ Se l'interruttore differenziale dell'impianto elettrico domestico scatta mentre si usa la funzione vapore, interrompere immediatamente l'uso del prodotto e rivolgersi al centro di assistenza clienti. (Prestare attenzione al rischio di scossa elettrica.)
- ◆ L'apparecchio espelle vapore molto caldo per igienizzare l'area in cui viene usato. Questo significa che la testa di emissione del vapore, i panni per la pulizia e l'accessorio per la moquette diventano molto caldi durante l'impiego.

Attenzione! Indossare sempre scarpe idonee durante l'impiego della scopa a vapore e quando se ne sostituiscono gli accessori.

Non indossare pantofole o sandali aperti.

- ◆ Il coperchio potrebbe riscaldarsi molto durante l'impiego.
- ◆ Il vapore potrebbe fuoriuscire dall'apparecchio durante l'uso. Prestare attenzione quando si usa questo apparecchio. NON toccare nessuna parte che potrebbe diventare molto calda durante l'uso.
- ◆ Spegnerlo l'apparecchio e riportare il manico in posizione verticale prima di togliere il serbatoio dell'acqua.
- ◆ Se si nota una fuoriuscita di vapore dal corpo della scopa a vapore, spegnerla, scollegarla dall'alimentazione di rete e lasciarla raffreddare. Contattare il tecnico autorizzato più vicino. Non continuare a usare l'apparecchio.

Dopo l'uso

- ◆ Scollegare l'apparecchio dalla presa di corrente e lasciare che si raffreddi prima di pulirlo.
- ◆ Quando non viene usato, l'apparecchio deve essere conservato in un luogo asciutto.
- ◆ L'apparecchio non deve essere riposto alla portata dei bambini.

Ispezione e riparazioni

- ◆ Prima di eseguire la manutenzione o la riparazione dell'apparecchio, scollegarlo dalla presa di corrente e lasciare che si raffreddi.
- ◆ Prima dell'uso, controllare che l'apparecchio non sia danneggiato e non presenti parti difettose. Verificare inoltre che non vi siano parti rotte, interruttori danneggiati o altre condizioni che potrebbero incidere sul suo funzionamento.
- ◆ Controllare a intervalli regolari che il cavo di alimentazione non sia danneggiato.
- ◆ Non usare l'apparecchio se alcune parti sono danneggiate o difettose.
- ◆ Fare riparare o sostituire le parti danneggiate o difettose da un tecnico riparatore autorizzato.
- ◆ Non tentare di smontare o sostituire alcuna parte, ad eccezione di quelle specificate in questo manuale.

Sicurezza altrui

- ◆ Questo apparecchio può essere usato da bambini dagli 8 anni in su e da persone portatrici di handicap fisici, psichici o sensoriali o che non abbiano la dovuta esperienza o conoscenza, sempre che siano seguite o opportunamente istruite sull'uso sicuro e comprendano i pericoli inerenti. I bambini non devono giocare con l'elettrostrumento. Gli interventi di pulizia e manutenzione da parte dell'utilizzatore non devono essere eseguiti da bambini senza supervisione.
- ◆ I bambini devono essere sorvegliati per assicurarsi che non giochino con l'apparecchio.

Rischi residui

L'utilizzo dell'elettrostrumento può comportare rischi residui non necessariamente riportati nelle presenti avvertenze di sicurezza. Tali rischi possono sorgere a seguito di un uso prolungato o improprio, ecc.

Malgrado il rispetto delle norme di sicurezza pertinenti e l'implementazione di dispositivi di sicurezza, alcuni rischi residui non possono essere evitati. Sono inclusi:

- ◆ lesioni causate dal contatto con parti in movimento;
- ◆ lesioni causate dal contatto con parti molto calde;
- ◆ lesioni causate durante la sostituzione di parti o accessori;

- ◆ lesioni causate dall'impiego prolungato dell'apparecchio. Quando si usa l'apparecchio per lunghi periodi, accertarsi di fare regolarmente delle pause.

Sicurezza elettrica



Avvertenza! Questo prodotto deve essere collegato a terra. Assicurarsi che la tensione della rete di alimentazione corrisponda al valore indicato sulla targhetta dei valori nominali.

Le spine elettriche devono essere adatte alle prese. Non modificare la spina in alcun modo. Per ridurre il rischio di scossa elettrica evitare di modificare le spine e utilizzare sempre le prese di corrente appropriate.

- ◆ Per prevenire pericoli, i cavi di alimentazione danneggiati devono essere sostituiti dal fabbricante o da un centro di assistenza BLACK+DECKER.

Cavi di prolunga e prodotto di Classe 1

- ◆ Usare un cavo a 3 conduttori dato che si tratta di un apparecchio di Classe 1 dotato di messa a terra.
- ◆ È possibile usare un cavo lungo 30 m senza che si verifichi una perdita di potenza

Etichette sull'apparecchio

I seguenti simboli sono mostrati sull'apparecchio insieme al codice data:



ATTENZIONE vapore bollente



Non lasciare incustodito con bambini piccoli



Lavare a 60 °C. Non utilizzare candeggina o ammorbidente

Caratteristiche

Questo apparecchio presenta alcune o tutte le seguenti caratteristiche.

1. Interruttore di accensione/spengimento
2. Manopola Autoselect™
3. Impugnatura del generatore di vapore portatile
4. Tappo di rifornimento
5. Serbatoio acqua
6. Comandi
7. Pulsante di sgancio manico di prolunga per pavimenti
8. Manico di prolunga per pavimenti
9. Testa per la pulizia di pavimenti
10. Panno per pulire
11. Linguetta per rimozione panno
12. Accessorio tubo flessibile di collegamento
13. Accessorio testa angolare (per rimuovere le macchie ostinate)
14. Accessorio spazzola (per l'uso su piastrelle / malta)
15. Accessorio spatola tergovetro (per l'uso su pareti di box doccia / vetri / specchi / indumenti / tappezzeria)
16. panno per spatola tergovetro

Assemblaggio



Avvertenza! Prima di iniziare una delle seguenti operazioni, verificare che l'apparecchio sia spento e scollegato dalla presa elettrica e che sia freddo e non contenga acqua.

Collegamento del manico di prolunga per pavimenti alla testa lavapavimenti (Fig. A)

- ◆ Inserire saldamente il manico di prolunga per pavimenti (8) nella testa lavapavimenti (9) assicurandosi che sia bloccato saldamente in posizione.

Collegamento del generatore di vapore portatile al manico di prolunga per pavimenti (Fig. B)

- ◆ Inserire saldamente il generatore di vapore portatile sul manico di prolunga per pavimenti (8) assicurandosi che sia posizionato correttamente sopra i comandi (6) e sia bloccato saldamente in posizione.

Avvertenza! Ispezionare la tenuta tra il punto di connessione sul generatore di vapore portatile e il manico di prolunga per pavimenti (8) prima di ciascun utilizzo. Se la tenuta non funziona correttamente oppure è danneggiata, non utilizzarla e rivolgersi al tecnico autorizzato di zona. Non usare l'elettrodomestico.

Rimozione dell'unità a vapore portatile

- ◆ Premere il pulsante di sgancio (7) sul manico di prolunga per pavimenti (8) e rimuovere il generatore di vapore dal pannello comandi (6).

Montaggio del panno per la pulizia (fig. C)

I panni per la pulizia di ricambio sono reperibili presso il rivenditore BLACK+DECKER di zona- (cat. no. FSMP20-XJ).

- ◆ Appoggiare il panno per la pulizia (10) sul pavimento con il lato del tessuto velcro con gli uncini rivolto verso l'alto.
- ◆ Premere leggermente la lavapavimenti a vapore sul panno per la pulizia (10).

Attenzione! Non lasciare mai la lavapavimenti a vapore a lungo nello stesso punto di un qualsiasi tipo di pavimento. Appoggiare sempre la lavapavimenti a vapore in posizione verticale quando è ferma e accertarsi che sia spenta quando non viene usata.

Rimozione del panno per la pulizia

Attenzione! Quando si cambia il panno per la pulizia sulla lavapavimenti a vapore, indossare sempre scarpe idonee.

Non indossare pantofole o sandali aperti.

- ◆ Riportare la lavapavimenti a vapore in posizione verticale e spegnerla.
- ◆ Prima di riporre la lavapavimenti a vapore attendere che si raffreddi (circa 5 minuti).
- ◆ Togliere il panno per la pulizia sollevando la lavapavimenti a vapore e premendo sull'apposita linguetta di rimozione del panno (11) per staccare il velcro.

Attenzione! Non lasciare mai la lavapavimenti a vapore a lungo nello stesso punto di un qualsiasi tipo di pavimento. Appoggiare sempre la lavapavimenti a vapore in posizione verticale quando è ferma e accertarsi che sia spenta quando non viene usata.

Riempimento del serbatoio dell'acqua (Fig. D)

Nota! Riempire il serbatoio dell'acqua con acqua di rubinetto pulita (non utilizzare additivi o agenti chimici).

Nota! In presenza di acque molto dure (calcaree) si consiglia di utilizzare acqua deionizzata.

- ◆ Aprire il tappo di rifornimento (4) ruotandolo verso il basso.
- ◆ Riempire il serbatoio dell'acqua solo con acqua (non utilizzare additivi o agenti chimici).

Avvertenza! Durante il riempimento mantenere in posizione orizzontale.

Avvertenza! Il serbatoio dell'acqua ha una capacità di 0,5 l. Non riempire eccessivamente il serbatoio.

- ◆ Chiudere il tappo di rifornimento (4).

Nota! Verificare che il tappo di rifornimento sia chiuso saldamente.

Utilizzo

Importante! Se usato in base alle istruzioni del presente manuale e con il panno per la pulizia in microfibra montato e un tempo di funzionamento continuo di 90 secondi, questo apparecchio è in grado di eliminare il 99,9% di batteri e germi.

Accensione e spegnimento (Fig. F)

- ◆ Per accendere l'apparecchio, premere l'interruttore di accensione/spegnimento (1). La lavapavimenti a vapore impiega 15 secondi circa per riscaldarsi.
- ◆ Per spegnere l'apparecchio, premere l'interruttore di accensione/spegnimento (1).

Attenzione! Non lasciare mai la lavapavimenti a vapore a lungo nello stesso punto di un qualsiasi tipo di pavimento. Appoggiare sempre la lavapavimenti a vapore in posizione verticale quando è ferma e accertarsi che sia spenta quando non viene usata.




Attenzione! Svuotare sempre la lavapavimenti a vapore dopo l'uso.

Nota! Al primo rifornimento oppure se la lavapavimenti ha funzionato a secco, possono trascorrere fino a 45 secondi prima che venga generato del vapore.

Tecnologia Autoselect™ (Fig. E)

Questa lavapavimenti a vapore è dotata di manopola Autoselect™ (2) che mostra le varie applicazioni di pulizia, usate per selezionare la corretta modalità di funzionamento per l'operazione di pulizia desiderata.

Scegliere una delle applicazioni seguenti mediante la manopola Autoselect™ (2) premendola fino a selezionare l'impostazione desiderata.

Impostazione	Materiali	Pulitore portatile
	Legno/ laminato	Flusso di vapore basso ●
	Piastrelle/ vinile	Flusso di vapore medio ● ●
	Pietra/ marmo	Flusso di vapore alto ● ● ●

La lavapavimenti a vapore selezionerà la quantità di vapore necessaria per una determinata operazione di pulizia.

Nota: Controllare sempre di aver scelto la corretta impostazione prima di usare la lavapavimenti a vapore.

Montaggio del tubo flessibile e degli accessori sul generatore di vapore portatile

Avvertenza! Ispezionare la tenuta tra il punto di connessione sul generatore di vapore portatile e il tubo flessibile del vapore (12) prima di ciascun utilizzo. Se la tenuta non funziona correttamente oppure è danneggiata, non utilizzarla e rivolgersi al tecnico autorizzato di zona. Non usare l'apparecchio.

Montaggio del tubo flessibile (Fig. H)

- ◆ Premere il pulsante di sgancio (17) sul tubo flessibile del vapore (12).
- ◆ Collegare il tubo flessibile del vapore (12) al generatore di vapore portatile e rilasciare il pulsante di sgancio del tubo flessibile del vapore (17) accertandosi che scatti in sede.

Importante! Verificare che il tubo flessibile del vapore (12) sia collegato saldamente prima di usare il generatore di vapore portatile. Se il vapore fuoriesce dalla giunzione, il tubo flessibile non è inserito correttamente. Spegnere, lasciare che l'unità si raffreddi prima di smontare il tubo flessibile e reinserirlo.

Avvertenza! Prima di montare il tubo flessibile spegnere la scopa a vapore.

Montaggio degli accessori (Fig. I)

- ◆ Allineare le linguette sull'ugello del vapore (12) ai vani dell'accessorio.
- ◆ Premere l'accessorio sull'ugello di erogazione del vapore e ruotarlo in senso antiorario fino a quando si aggancia in sede.

Importante! Tutti gli altri accessori devono essere collegati al tubo flessibile del vapore (12) per poter essere usati.

Smontaggio del tubo flessibile e degli accessori

Avvertenza! Il tubo flessibile del vapore (12), l'ugello di erogazione del vapore e gli accessori si surriscaldano durante l'uso. Lasciare che l'unità e tutti gli accessori si raffreddino prima di smontarli.

Smontaggio di un accessorio

- ◆ Ruotare l'accessorio in senso orario e staccarlo dal tubo flessibile (12).

Smontaggio del tubo flessibile

- ◆ Premere il pulsante di sgancio (17) sul tubo flessibile del vapore (12) e rimuoverlo dal generatore di vapore portatile.

Consigli per un utilizzo ottimale

Generali

Attenzione: Non usare mai la lavapavimenti a vapore senza aver prima montato un panno per la pulizia

- ◆ Prima di usare la lavapavimenti a vapore, passare sempre l'aspirapolvere oppure spazzare il pavimento
- ◆ Il modo più semplice per usare la scopa consiste nell'inclinare l'unità a 45° e pulire lentamente, trattando un'area piccola alla volta.
- ◆ Con la lavapavimenti a vapore utilizzare solo acqua, senza additivi o sostanze chimiche. Per eliminare le macchie ostinate dalle pavimentazioni in vinile o linoleum, è possibile pretrattarle con un detersivo neutro e un po' di acqua prima di passare la lavapavimenti a vapore.

Pulitura a vapore con la lavapavimenti

- ◆ Montare il generatore di vapore portatile al manico di prolunga per pavimenti (8)
- ◆ Mettere un tampone di pulitura (10) sul pavimento con il lato ad anello di velcro rivolto verso l'alto.
- ◆ Premere leggermente la scopa a vapore sul tampone di pulitura (10).
- ◆ Collegare la scopa a vapore alla presa di corrente.
- ◆ Premere il pulsante di accensione (1). La scopa a vapore impiega 15 secondi circa per riscaldarsi.
- ◆ Girare la manopola Autoselect™ (2) fino a ottenere la regolazione richiesta. Dopo alcuni secondi il vapore comincia a fuoriuscire dalla testa a vapore.

Nota! In occasione del primo rifornimento oppure se ha funzionato a secco, possono trascorrere fino a 45 secondi prima che venga generato del vapore.

- ◆ Ci vogliono alcuni secondi prima che il vapore penetri nel tampone di pulitura. La scopa a vapore scorrerà ora facilmente sulla superficie da igienizzare/pulire.
- ◆ Spingere e tirare lentamente la scopa a vapore sulla superficie per pulire a fondo ogni sezione.
- ◆ Una volta finito di utilizzare la scopa a vapore, riportare la maniglia (8) alla posizione verticale, assicurandosi che sia supportata e ruotarla su 'OFF'. Attendere fino a quando la scopa a vapore si raffredda prima di metterla via (circa 5 minuti).

Attenzione! È importante controllare il livello dell'acqua nel serbatoio dell'acqua. Per rifornire il serbatoio dell'acqua e continuare a igienizzare/pulire, mettere la lavapavimenti a vapore in posizione verticale e spegnerla.. Scollegare l'apparecchio dalla presa di corrente a parete e rifornire il serbatoio dell'acqua.

Attenzione! Non lasciare mai la scopa a vapore a lungo nel medesimo punto di una qualsiasi pavimentazione. Appoggiare sempre la lavapavimenti a vapore in posizione verticale quando è ferma e accertarsi che sia spenta quando non viene usata.

Dopo l'uso

- ◆ Ruotare la manopola Autoselect™ (2) sulla posizione di OFF.
- ◆ Attendere fino a quando la scopa a vapore si raffredda.

- ◆ Scollegare la scopa a vapore dalla presa di corrente a parete.
- ◆ Svuotare il serbatoio dell'acqua.
- ◆ Rimuovere il tampone di pulitura (10) e lavarlo per l'utilizzo successivo (fare in modo di seguire le istruzioni di lavaggio delicato stampate sul tampone di pulitura).

Accessori

Le prestazioni dell'elettrodomestico dipendono dall'accessorio usato. Gli accessori BLACK + DECKER sono stati fabbricati in base a standard qualitativi elevati e sono stati progettati per ottenere le migliori prestazioni dall'elettrodomestico. Utilizzando questi accessori si otterrà il meglio dall'utensile.

Pulizia con il generatore di vapore portatile

Avvertenza! ! Mantenere il pulitore in orizzontale durante l'uso.

- ◆ Fissare l'accessorio richiesto.
- ◆ Collegare il generatore di vapore portatile alla presa elettrica.
- ◆ Premere il pulsante di accensione (1). La lavapavimenti a vapore impiega 15 secondi circa per riscaldarsi.
- ◆ Girare la manopola Autoselect™ (2) fino a ottenere la regolazione richiesta. Dopo alcuni secondi il vapore comincia a fuoriuscire dalla testa a vapore.

Nota! In occasione del primo rifornimento oppure se ha funzionato a secco, possono trascorrere fino a 45 secondi prima che venga generato del vapore.

- ◆ Quando viene terminato l'utilizzo del generatore portatile a vapore, girare la manopola Autoselect™ (2) sulla posizione di OFF. Spegner l'unità premendo il pulsante di accensione (1) e scollegarla dall'alimentazione di corrente. Attendere fino a quando l'unità non si è raffreddata prima di riparla (circa cinque minuti).

Dati Tecnici

FSMH1300FX		
Tensione	V _{ca}	230
Potenza	W	1300
Capacità serbatoio	ml	500
Peso	kg	2,4

Ricerca guasti

Se l'elettrodomestico non dovesse funzionare correttamente, seguire le istruzioni riportate di seguito. Nel caso in cui non sia comunque possibile risolvere il problema, rivolgersi al tecnico BLACK+DECKER di zona.

Problema	Passo	Eventuale soluzione
La lavapavimenti a vapore non si accende	1.	Controllare che l'unità sia collegata alla presa a muro.
	2.	Controllare che l'unità sia accesa utilizzando l'interruttore di accensione/ spegnimento (1)
	3.	Controllare il fusibile nella spina.
La lavapavimenti a vapore non genera vapore	4.	La lavapavimenti a vapore genera vapore solamente se il generatore di vapore portatile (5) è inserito correttamente nel corpo principale (11), il tubo flessibile del vapore è montato o la manopola Autoselect™ è posizionata su ON.
	5.	Verificare che il serbatoio dell'acqua sia pieno. Nota: In occasione del primo rifornimento oppure se ha funzionato a secco, possono trascorrere fino a 45 secondi prima che venga generato del vapore.
	6.	Controllare i passaggi 1, 2 e 3.
	7.	Controllare i passaggi 4, 5 e 3.
La lavapavimenti a vapore genera troppo vapore durante l'uso	8.	Ruotare la manopola Autoselect™ (2) in senso antiorario per ridurre la quantità di vapore generato
La lavapavimenti a vapore genera troppo poco vapore durante l'uso	9.	Ruotare la manopola Autoselect™ (2) in senso orario per aumentare la quantità di vapore generato
Dove è possibile trovare informazioni/accessori aggiuntivi	10.	www.blackanddecker.co.uk/steammop www.blackanddecker.ie/steammop



Waarschuwing! Bij apparaten voor gebruik op de netspanning moeten bepaalde elementaire voorzorgsmaatregelen, waaronder de navolgende, in acht worden genomen zodat het gevaar voor brand, elektrische schok, persoonlijk letsel en materiële schade tot een minimum kan worden beperkt.

- ◆ In deze handleiding wordt het bedoeld gebruik beschreven. Het gebruik van accessoires of hulpstukken of de uitvoering van handelingen anders dan in deze gebruikershandleiding worden aanbevolen, kan een risico van persoonlijk letsel geven.
- ◆ Bewaar deze handleiding zorgvuldig zodat u deze altijd nog eens kunt raadplegen.

Bedoeld gebruik

De BLACK+DECKER™ FSMH1300FX stoomreiniger is ontworpen voor het reinigen van vloeren van geseald hardhout, laminaat, linoleum, keramische tegels, steen of marmer. Dit apparaat is uitsluitend bestemd voor huishoudelijk gebruik binnenshuis.

Instructies voor de veiligheid



Waarschuwing! Lees alle veiligheidswaarschuwingen en alle instructies.

Wanneer de volgende waarschuwingen en voorschriften niet in acht worden genomen, kan dit een elektrische schok, brand of ernstig letsel tot gevolg hebben.

Het apparaat gebruiken

- ◆ Richt de stoom niet op mensen, dieren, elektrische apparaten of stopcontacten.
- ◆ Stel het apparaat niet bloot aan regen.
- ◆ Dompel het apparaat niet onder in water.
- ◆ Laat het apparaat niet onbeheerd achter.
- ◆ Laat het apparaat niet aangesloten op het stopcontact wanneer u het niet gebruikt.
- ◆ Trek de stekker nooit aan het snoer uit het stopcontact. Houd het apparaat uit de buurt van warmtebronnen, olie en scherpe randen.

- ◆ Bedien de stoomreiniger niet met natte handen.
- ◆ Trek of draag het apparaat nooit aan het snoer, gebruik het snoer niet als handvat, klem het snoer niet tussen de deur, trek het snoer niet langs scherpe randen en stel het snoer niet bloot aan warme oppervlakken.
- ◆ Gebruik het apparaat niet in een afgesloten ruimte die gevuld is met dampen afgegeven door verfverdunder op oliebasis, sommige anti-motstoffen, ontvlambaar stof of andere explosieve of giftige dampen.
- ◆ Controleer het vloertype bij de fabrikant.
- ◆ Gebruik de stoomreiniger niet op leer, met was gepolijste meubels of vloeren, synthetische vezels, fluweel of andere fijne stoomgevoelige materialen.



Waarschuwing! Gebruik het apparaat niet op niet-geseald hout of niet-gesealde laminaatvloeren. Op oppervlakken die behandeld zijn met was of op sommige niet-wasvloeren, kan de glans verdwijnen door de hitte en het stoom. Het wordt altijd aangeraden eerst een klein onopvallend stukje van het oppervlak dat moet worden gereinigd, te testen voordat u het hele oppervlak reinigt. Wij adviseren u ook de gebruiks- en onderhoudsinstructies van de fabrikant te door te lezen.

- ◆ Giet nooit ontkalkingsmiddel, alcoholische producten of reinigingsmiddelen in de stoomreiniger. Deze producten kunnen het apparaat beschadigen of onveilig voor gebruik maken.
- ◆ Als de stroomonderbreker in uw huis wordt geactiveerd terwijl u de stoomfunctie gebruikt, stop dan met het gebruik van het apparaat en neem contact op met de klantenservice. (Pas op voor elektrische schokken.)
- ◆ Het apparaat reinigt oppervlakken met zeer hete stoom. Dit betekent dat de stoomkop, de reinigingspads en het tapijthulpstuk zeer warm worden tijdens gebruik.

Let op! Draag altijd geschikte schoenen wanneer u de stoomreiniger gebruikt en wanneer u de accessoires op de stoomreiniger verwisselt. Draag geen slippers of schoeisel met open tenen.

- ◆ Het deksel wordt heet tijdens het gebruik.
- ◆ Er kan stoom van het apparaat af komen tijdens gebruik. U moet altijd voorzichtig zijn als u dit apparaat gebruikt. Raak GEEN onderdelen aan die warm worden tijdens gebruik.
- ◆ Schakel het apparaat uit en zet de handgreep rechtop voordat u de watertank verwijdt.

- ◆ Als u ziet dat er stoom van de behuizing van de hand-stoomreiniger afkomt, schakelt u de reiniger uit en trekt u de stekker van het apparaat uit het stopcontact zodat het kan afkoelen. Neem contact op met het servicecentrum bij u in de buurt. Ga niet door met het gebruik van het apparaat.

Na gebruik

- ◆ Trek de stekker van het apparaat uit het stopcontact en laat het apparaat afkoelen voordat u het schoonmaakt.
- ◆ Bewaar het apparaat na gebruik op een droge plaats.
- ◆ Berg apparaten op buiten bereik van kinderen.

Inspectie en reparaties

- ◆ Schakel het apparaat uit, haal de stekker uit het stopcontact en laat het apparaat afkoelen voordat er onderhoud of een reparatie wordt uitgevoerd.
- ◆ Controleer het apparaat vóór gebruik op beschadigingen en defecten. Controleer het apparaat op gebroken onderdelen, schade aan de schakelaars en andere omstandigheden die de werking ervan kunnen beïnvloeden.
- ◆ Controleer het snoer regelmatig op beschadiging.
- ◆ Werk niet met het apparaat als een onderdeel beschadigd is of defect.
- ◆ Laat beschadigde of defecte onderdelen door een van onze servicecentra repareren of vervangen.

- ◆ Probeer nooit andere onderdelen te verwijderen of te vervangen dan in deze handleiding worden vermeld.

Veiligheid van anderen

- ◆ Dit apparaat mag worden gebruikt door kinderen van 8 jaar en ouder en personen die lichamelijk of geestelijk minder valide zijn of die geen ervaring met of kennis van dit apparaat hebben, mits deze onder toezicht staan of instructies krijgen voor veilig manier gebruik van het apparaat en inzicht hebben in de mogelijke gevaren. Kinderen mogen niet met het apparaat spelen. Laat kinderen nooit zonder toezicht het gereedschap schoonmaken of onderhouden.
- ◆ Er moet op worden toegezien dat kinderen niet met het apparaat spelen.

Overige risico's

Er kunnen zich bij het gebruik van dit gereedschap nog meer risico's voordoen, die mogelijk niet in de bijgesloten veiligheidswaarschuwingen worden beschreven. Deze risico's kunnen zich voordoen door onoordeelkundig gebruik, langdurig gebruik, enz.

Zelfs wanneer de veiligheidsvoorschriften in acht worden genomen en de veiligheidsvoorzieningen worden gebruikt, kunnen bepaalde risico's niet worden uitgesloten. Dit zijn onder meer:

- ◆ Verwondingen die worden veroorzaakt door het aanraken van bewegende onderdelen.

- ◆ Verwondingen die worden veroorzaakt door het aanraken van warme onderdelen.
- ◆ Verwondingen die worden veroorzaakt bij het vervangen van onderdelen of accessoires.
- ◆ Verwondingen die worden veroorzaakt door langdurig gebruik van het apparaat. Wanneer u het apparaat gedurende langere perioden gebruikt, is het belangrijk dat u de werkzaamheden regelmatig onderbreekt.

Elektrische veiligheid



Waarschuwing! Dit product moet geaard zijn. Controleer altijd dat de stroomvoorziening overeenkomt met de voltage op het typeplaatje.

De netstekker moet in het stopcontact passen. Pas de stekker nooit op enige manier aan. Niet-aangepaste stekkers en passende contactdozen verminderen het risico van een elektrische schok.

- ◆ Als het netsnoer is beschadigd, moet dit worden vervangen door de fabrikant of een BLACK+DECKER-servicecentrum, zodat gevaarlijke situaties worden voorkomen.

Verlengsnoeren & product van klasse 1

- ◆ U moet een 3-aderig snoer gebruiken omdat het apparaat geaard en van klasse 1 is.
- ◆ U kunt een snoer van maximaal 30 m gebruiken zonder vermogensverlies.

Labels op het apparaat

De volgende pictogrammen worden met de datumcode op het apparaat weergegeven:



VOORZICHTIG Hete stoom



Laat niet onbeheerd achter in aanwezigheid van jonge kinderen



Wassen op 60°C. Gebruik niet een bleekmiddel of wasverzachter

Funcities

Dit apparaat heeft enkele van de volgende functies of allemaal.

1. Aan/Uit-schakelaar
2. Autoselect™-knop
3. Handgreep van de hand-stoomreiniger
4. Vuldop
5. Watertank
6. Koppeling
7. Vrijgaveknop verlengde buis voor de vloer
8. Verlengde buis voor de vloer
9. Vloerkop
10. Reinigingsdoek
11. Nok voor verwijdering reinigingsdoek
12. Hulpstukbevestigingsslang
13. Hulpstuk hoekborstel (voor moeilijk te verwijderen vlekken)
14. Borstelhulpstuk (voor gebruik op tegels / voegen)
15. Wisselhulpstuk (voor gebruik op doucheschermen / glas / spiegels / kleding / bekleding)
16. Wissersok

Montage



Waarschuwing! Voordat u de volgende instructies volgt, moet u controleren dat het apparaat is uitgeschakeld en de stekker uit het stopcontact is getrokken en dat het apparaat is afgekoeld en geen water bevat.

Bevestigen van de verlengde buis op de vloerkop (Afb. A)

- ◆ Duw de verlengde buis (8) stevig in de vloerkop (9) en let er daarbij op dat de buis stevig vastklikt.

Bevestigen van de hand-stoomreiniger op de verlengde buis (Afb. B)

- ◆ Duw de hand-stoomreiniger stevig op de verlengde buis (8), let er daarbij op dat de reiniger goed over de koppeling past (6) en stevig op z'n plaats klikt.

Waarschuwing! Inspecteer voor ieder gebruik de afdichting tussen het aansluitpunt van de hand-stoomreiniger en de verlengde buis (8). Neem contact op met de officiële servicemonteur bij u in de buurt als de afdichting niet goed werkt of beschadigd is. Gebruik het apparaat niet.

De hand-stoomreiniger losnemen

- ◆ Duw op de vrijgaveknop (7) op de verlengde buis (8) en til de hand-stoomreiniger van de koppeling (6).

Een reinigingsdoek bevestigen (Afb. C)

Vervangende reinigingsdoeken zijn verkrijgbaar via uw BLACK+DECKER-leverancier: - (cat. nr. FSMP20-XJ).

- ◆ Plaats een reinigingsdoek (10) op de vloer met de klittenband-zijde naar boven.
- ◆ Druk de stoomreiniger licht op de reinigingsdoek (10).

Let op! Laat de stoomreiniger nooit langere tijd op één plek op een oppervlak staan. Zet de stoomreiniger altijd rechtop neer en let erop dat u de stoomreiniger uitschakelt, wanneer u het apparaat niet gebruikt.

Een reinigingsdoek verwijderen

Let op! Draag altijd geschikte schoenen wanneer u de reinigingsdoeken verwisselt op de stoomreiniger. Draag geen slippers of schoeisel met open tenen.

- ◆ Zet de stoomreiniger weer rechtop en schakel de stoomreiniger 'UIT'.
- ◆ Wacht tot de stoomreiniger is afgekoeld (ongeveer 5 minuten).
- ◆ Til de stoomreiniger van de reinigingsdoek en maak de doek los van de klittenbandbevestiging door gewicht te zetten op de verwijderingsnok (11) van de doek.

Let op! Laat de stoomreiniger nooit langere tijd op één plek op een oppervlak staan. Zet de stoomreiniger altijd rechtop neer en let erop dat u de stoomreiniger uitschakelt, wanneer u het apparaat niet gebruikt.

De watertank vullen (Afb. D)

Opmerking! Vul de watertank met schoon kraanwater (Gebruik geen toevoegingen of chemicaliën).

Opmerking! In gebieden met hard water wordt het gebruik van gedeïoniseerd water aangeraden.

- ◆ Open de vuldop (4) door deze omhoog te klappen.
- ◆ Vul de watertank met schoon kraanwater (Gebruik geen toevoegingen of chemicaliën).

Waarschuwing! Houd bij het vullen de watertank horizontaal. **Waarschuwing!** De watertank heeft een capaciteit van 0.5 liter. Doe de tank niet te vol.

- ◆ Sluit de vuldop (4).

Opmerking! Controleer dat de vuldop stevig vastzit.

Gebruik van het apparaat

Belangrijk! Wanneer u dit apparaat volgens de aanwijzingen in deze handleiding gebruikt, u de microvezeldoeken plaatst en u het apparaat ten minste 90 seconden aanzet, doodt het 99,9% van alle bacteriën en ziektekiemen.

In- en uitschakelen (Afb. F)

- ◆ Schakel het apparaat in door op de aan/uit-schakelaar (1) te drukken. Het opwarmen van de stoomreiniger duurt ongeveer 15 seconden.
- ◆ Schakel het apparaat uit door op de aan/uit-schakelaar (1) te drukken.

Let op! Laat de stoomreiniger nooit langere tijd op één plek op een oppervlak staan.

Zet de stoomreiniger altijd rechtop neer en let erop dat u de stoomreiniger uitschakelt, wanneer u het apparaat niet gebruikt.

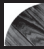


Let op! Giet de stoomreiniger na gebruik altijd leeg.

Opmerking! Wanneer u de stoomreiniger voor de eerste keer vult of nadat de watertank leeg is geweest, kan het tot wel 45 seconden duren voordat er stoom wordt geproduceerd.

Autoselect™-technologie (Afb. E)

Deze stoomreiniger is uitgerust met een Autoselect™-knop (2) waarop verschillende reinigingstoepassingen zijn afgebeeld. Hiermee kunt u de juiste gebruiksstand voor uw schoonmaakwerk selecteren.

Kies één van de volgende toepassingen met Autoselect™ door de Autoselect™-knop (2) te draaien tot de gewenste instelling is geselecteerd.

Stand	Dweilen	Met de hand
	Hout/ Laminaat	Geringe hoeveelheid stoom ●
	Tegels/Vinyl	Gemiddelde hoeveelheid stoom ● ●
	Steen/ Marmer	Grote hoeveelheid stoom ● ● ●

De stoomreiniger selecteert de juiste hoeveelheid stoom die nodig is voor uw schoonmaakwerk.

Opmerking: Controleer vóór het gebruik van de stoomreiniger altijd dat u de juiste instelling hebt geselecteerd.

De slang en accessoires op de handstoomreiniger bevestigen

Waarschuwing! Inspecteer voor ieder gebruik de afdichting tussen het aansluitpunt van de handstoomreiniger en de stoomslang (12). Neem contact op met de officiële servicemonteur bij u in de buurt als de afdichting niet goed werkt of beschadigd is. Gebruik het apparaat niet.

De slang bevestigen (Afb. H)

- ◆ Druk op de vrijgaveknop (17) op de stoomslang (12).
- ◆ Sluit de stoomslang (12) aan op de hand-stoomreiniger en laat de vrijgaveknop van de stoomslang los (17), let erop dat deze op z'n plaats klikt.

Belangrijk! Controleer dat de stoomslang (12) stevig vastzit op de hand-stoomreiniger. Als er stoom ontsnapt uit de aansluiting, is de slang niet goed geplaatst. Schakel het apparaat uit, laat het afkoelen en plaats de slang opnieuw.

Avvertenza! Prima di montare il tubo flessibile spegnere la scopa a vapore.

Waarschuwing! Schakel het apparaat uit voordat u de slang plaatst.

Hulpstukken bevestigen (Afb. I)

- ◆ Houd de nokken op de stroomsputmond (12) tegenover de uitsparingen op het hulpstuk.
- ◆ Druk het hulpstuk op de stroomsputmond en draai linksom tot het hulpstuk op z'n plaats vastklikt.

Belangrijk! Alle hulpstukken moeten voor gebruik op de stoomslang (12) zijn gekoppeld.

De slang en hulpstukken losnemen

Waarschuwing! De stoomslang (12), stroomsputmond en de hulpstukken worden heet tijdens gebruik. Laat het apparaat en alle hulpstukken afkoelen voordat u hulpstukken losneemt.

Een hulpstuk los nemen

- ◆ Draai het hulpstuk rechtsom en trek het van de slang (12).

De slang losnemen

- ◆ Druk op de vrijgaveknop van de stoomslang (17) op de stoomslang (12) en trek deze los van de hand-stoomreiniger.

Tips voor optimaal gebruik

Algemeen

Voorzichtig! Gebruik de stoomreiniger nooit voordat u een reinigingsdoek hebt aangebracht.

- ◆ Veeg of stofzuig de vloer altijd voordat u de stoomreiniger gebruikt.
- ◆ U werkt het gemakkelijkst met het apparaat wanneer u het in een hoek van 45° kantelt en langzaam, steeds kleine stukjes schoonmaakt.

- ◆ Gebruik in de stoomreiniger alleen water zonder toevoegingen en chemicaliën. U kunt hardnekkige vlekken uit vinyl- of linoleumvloeren verwijderen door ze, voor u de stoomreiniger gebruikt, voor te behandelen met een mild reinigingsmiddel en wat water.

Stoomreinigen met de reiniger

- ◆ Breng de hand-stoomreiniger aan op de verlengde buis (8)
- ◆ Plaats een reinigingsdoek (10) op de vloer met de klittenband-zijde naar boven.
- ◆ Druk de stoomreiniger licht op de reinigingsdoek (10).
- ◆ Steek de stekker van de stoomreiniger in het stopcontact.
- ◆ Druk op de AAN/UIT-knop (1). Het opwarmen van de stoomreiniger duurt ongeveer 15 seconden.
- ◆ Draai de Autoselect™-knop (2) tot de gewenste instelling is bereikt. Na een paar seconden begint er stoom uit de stoomkop te komen.

Opmerking! Wanneer u de stoomreiniger voor de eerste keer vult of nadat de watertank leeg is geweest, kan het tot wel 45 seconden duren voordat er stoom wordt geproduceerd.

- ◆ Het duurt een aantal seconden voordat de stoom in de reinigingsdoek komt. De stoomreiniger glijdt nu gemakkelijk over het oppervlak dat moet worden gereinigd.
- ◆ Duw en trek de stoomreiniger langzaam over de vloer zodat deze in delen grondig met stoom wordt gereinigd.
- ◆ Wanneer u klaar bent met de stoomreiniger, zet dan de handgreep (8) weer rechtop, en let er daarbij op dat de handgreep wordt ondersteund en schakel het apparaat uit ('OFF'). Wacht tot de stoomreiniger is afgekoeld (ongeveer vijf minuten).

Let op! Het is belangrijk dat goed let op het waterniveau in de watertank. Wanneer u de watertank wilt vullen en daarna wilt doorgaan met ontsmetten/reinigen, zet de stoomreiniger dan rechtop en schakel het apparaat 'UIT'. Haal de stekker uit het stopcontact, vul de watertank.

Let op! Laat de stoomreiniger nooit langere tijd op één plek op een oppervlak staan. Zet de stoomreiniger altijd rechtop neer en let erop dat u de stoomreiniger uitschakelt, wanneer u het apparaat niet gebruikt.

Na gebruik

- ◆ Draai de Autoselect™-knop (2) naar de stand OFF.
- ◆ Wacht tot de stoomreiniger is afgekoeld.
- ◆ Haal de stekker van de stoomreiniger uit het stopcontact.
- ◆ Giet de watertank leeg.
- ◆ maak de reinigingsdoek (10) los en was de doek voor een volgend gebruik (Volg vooral de wasinstructies die op de reinigingsdoek zijn afgedrukt).

Accessoires

De prestaties van het apparaat zijn afhankelijk van de gebruikte accessoires. Accessoires van BLACK+DECKER zijn ontworpen volgens hoge kwaliteitsnormen en zij verhogen de prestaties van uw apparaat. Door deze accessoires te gebruiken kunt u uw apparatuur optimaal laten presteren.

Handstoomreinen

Waarschuwing! ! Houd tijdens gebruik het apparaat altijd in een horizontale stand.

- ◆ Bevestig het benodigde hulpstuk.
- ◆ Steek de stekker van de handstoomreiner in het stopcontact.
- ◆ Druk op de AAN/UIT-knop (1). Het opwarmen van de stoomreiner duurt ongeveer 15 seconden.
- ◆ Draai de Autoselect™-knop (2) tot de gewenste instelling is bereikt. Na een paar seconden begint er stoom uit de stoomkop te komen.

Opmerking! Wanneer u de stoomreiner voor de eerste keer vult of nadat de watertank leeg is geweest, kan het tot wel 45 seconden duren voordat er stoom wordt geproduceerd.

- ◆ Draai, wanneer u klaar bent met het werken met de stoomtreinen gaan, de Autoselect™-knop (2) in de stand OFF. Schakel het apparaat uit door op de aan/uit-knop (ON/OFF) (1) te drukken en trek de stekker uit het stopcontact. Wacht even (ongeveer vijf minuten) met opbergen tot het apparaat is afgekoeld.

Probleem	Stap	Mogelijke oplossing
De stoomreiner produceert geen stoom	4.	De stoomreiner produceert alleen stoom als de handstoomreiner (5) goed in de romp (11) van het apparaat is geplaatst, de stoomslang is geplaatst en de Autoselect™ op ON is gezet
	5.	Controleer dat de watertank vol is. Opmerking: Wanneer u de stoomreiner voor de eerste keer vult of nadat de watertank leeg is geweest, kan het tot wel 45 seconden duren voordat er stoom wordt geproduceerd.
	6.	Controleer stap 1, dan 2, dan 3.
De stoomreiner produceert tijdens het werken geen stoom meer	7.	Controleer stap 4, dan 5, dan 3.
De stoomreiner produceert tijdens het werken te veel stoom	8.	Beperk de hoeveelheid stoom die wordt geproduceerd door de Autoselect™-knop (2) naar links te draaien
De stoomreiner produceert tijdens het werken te weinig stoom	9.	Laat de hoeveelheid stoom die wordt geproduceerd toenemen door de Autoselect™-knop (2) naar rechts te draaien
Waar kan ik meer informatie/hulpstukken verkrijgen	10.	www.blackanddecker.co.uk/steammp www.blackanddecker.ie/steammp

Technische gegevens

FSMH1300FX		
Spanning	V _{ac}	230
Elektrisch	W	1300
Tankcapaciteit	ml	500
Gewicht	kg	2,4

Problemen oplossen

Ga te werk volgens onderstaande instructies, als de machine niet goed lijkt te functioneren. Neem contact op met het BLACK+DECKER-servicecentrum bij u in de buurt, als u het probleem niet kunt verhelpen.

Probleem	Stap	Mogelijke oplossing
De stoomreiner werkt niet	1.	Controleer dat de stekker van de unit in het stopcontact zit.
	2.	Controleer dat de unit is ingeschakeld met de AAN/UIT-schakelaar (1)
	3.	Controleer de zekering.

Uso previsto

La mopa de vapor BLACK+DECKER™ FSMH1300FX ha sido diseñada para la desinfección y la limpieza de los suelos de madera dura sellada, material laminado sellado, linóleo, vinilo, baldosas de cerámica, piedra, y mármol. Este aparato ha sido concebido únicamente para uso doméstico en interiores.

Instrucciones de seguridad



Advertencia. Lea todas las advertencias de seguridad y todas las instrucciones. En caso de no atenderse a las siguientes advertencias e instrucciones de seguridad, podría producirse una descarga eléctrica, incendio o lesión grave.



Advertencia. Al utilizar aparatos eléctricos, es necesario seguir las precauciones de seguridad básicas, incluidas las que se indican a continuación, para reducir el riesgo de incendios, electrocución, lesiones y daños materiales.

- ◆ En este manual se describe el uso para el que se ha diseñado el aparato. La utilización de accesorios o la realización de operaciones distintas a las recomendadas en este manual de instrucciones puede conllevar un riesgo de lesiones.
- ◆ Conserve este manual para futuras consultas.

Uso del aparato

- ◆ No dirija el vapor directamente a las personas, los animales, los aparatos eléctricos o las tomas eléctricas.
- ◆ No esponga el producto a la lluvia.
- ◆ No sumerja el aparato en agua.
- ◆ No deje el aparato desatendido.
- ◆ No deje el aparato conectado a una toma eléctrica cuando no lo esté utilizando.
- ◆ No tire del cable de alimentación para desconectar el aparato de la toma de corriente. Mantenga el cable de alimentación del aparato alejado de fuentes de calor, aceites y bordes afilados.
- ◆ No manipule el limpiador a vapor con las manos húmedas.

- ◆ No tire del cable ni transporte el aparato tirando del cable, no utilice el cable como un asa, no pille el cable con la puerta, no tire del cable por esquinas afiladas y no esponga el cable a superficies calientes.
- ◆ No utilice el aparato en espacios cerrados llenos de vapor emitido por disolventes de pintura al óleo, de determinadas sustancias resistentes a las polillas, de polvo inflamable o de otros gases explosivos o tóxicos.
- ◆ Compruebe el tipo de suelo con el fabricante.
- ◆ No lo utilice sobre piel, muebles o suelos pulidos con cera, telas sintéticas, terciopelo ni en otros materiales delicados sensibles al vapor.



Advertencia. No lo utilice sobre suelos de madera o suelos laminados sin sellar. En superficies que han sido tratadas con cera o en algunos suelos sin cera, es posible que el calor y la acción del vapor acaben con el brillo. Antes de proceder, se recomienda siempre realizar una prueba en una zona aislada de la superficie que se va a limpiar. Es recomendable asimismo que consulte las instrucciones de uso y de cuidado del fabricante del suelo.

- ◆ No introduzca nunca productos desoxidantes, aromáticos, alcohólicos o detergentes en el limpiador a vapor, puesto que podría dañarse o funcionar de forma peligrosa.
- ◆ Si el disyuntor de su hogar se activa mientras está usando la función de vapor, deje de utilizar el aparato inmediatamente y póngase en contacto con el centro de atención al cliente. (Tenga cuidado con el riesgo de descarga eléctrica.)
- ◆ El aparato emite vapor muy caliente para desinfectar el área de uso. Esto implica que la cabeza de vapor, las almohadillas limpiadoras y el accesorio para alfombras pueden calentarse mucho durante su uso.

Precaución. Utilice siempre un calzado adecuado cuando maneje la mopa de vapor y cuando le cambie los accesorios. No utilice zapatillas o calzado abierto.

- ◆ Es posible que, al utilizar el aparato, la tapa se caliente.
- ◆ Es posible que se escape vapor del aparato durante el uso. Debe tenerse especial cuidado al utilizar este aparato. Mientras utiliza el aparato, NO toque las piezas que pueden calentarse.
- ◆ Apague el aparato y coloque el mango en posición vertical antes de quitar el depósito de agua.
- ◆ Si observa que se escapa vapor del cuerpo del limpiador a vapor de mano, apague la unidad y desconéctela de la toma de corriente. Espere a que se enfríe. Póngase en contacto con

su agente de servicio técnico más cercano. No siga utilizando el aparato.

Después de la utilización

- ◆ Desenchufe el aparato y espere a que se enfríe antes de limpiarlo.
- ◆ Cuando no lo utilice, guarde el aparato en un lugar seco.
- ◆ Los niños no deben tener acceso a los aparatos guardados.

Inspecciones y reparaciones

- ◆ Antes de realizar cualquier operación de mantenimiento o de reparación, primero debe desenchufar el aparato y esperar a que se enfríe.
- ◆ Antes de utilizar el aparato, compruebe que no tenga piezas dañadas ni defectuosas. Compruebe que no haya piezas rotas, que los interruptores no estén dañados y que no existan otros defectos que puedan afectar al funcionamiento del aparato.
- ◆ Compruebe con regularidad que el cable de alimentación no ha sufrido daños.
- ◆ No utilice el aparato si presenta alguna pieza dañada o defectuosa.
- ◆ Solicite al servicio técnico autorizado la reparación o sustitución de las piezas dañadas o defectuosas.
- ◆ Nunca intente extraer ni sustituir ninguna pieza que no esté especificada en este manual.

Seguridad de otras personas

- ◆ Este aparato puede ser utilizado por niños de más de 8 años de edad y por personas con capacidades físicas,

sensoriales o mentales disminuidas, o que carezca de experiencia y conocimientos, si están supervisadas o han recibido formación sobre el uso seguro del aparato y comprenden los peligros que entraña su uso. Los niños no deben jugar con el aparato. Los niños no deberán realizar las tareas de limpieza y mantenimiento de usuario, salvo que lo hagan bajo supervisión.

- ◆ Los niños deben vigilarse en todo momento para garantizar que el aparato no se toma como elemento de juego.

Riesgos residuales

El uso de esta herramienta puede producir riesgos residuales adicionales no incluidos en las advertencias de seguridad adjuntas. Estos riesgos se pueden generar por un uso incorrecto, demasiado prolongado, etc.

El cumplimiento de las normas de seguridad correspondientes y el uso de dispositivos de seguridad no evitan ciertos riesgos residuales. Dichos riesgos incluyen:

- ◆ Lesiones producidas por el contacto con piezas móviles.
- ◆ Lesiones producidas por el contacto con piezas calientes.
- ◆ Lesiones producidas al cambiar cualquier pieza o accesorio.
- ◆ Lesiones producidas al usar el aparato por un tiempo demasiado prolongado. Si utiliza un aparato durante períodos de tiempo demasiado prolongados, asegúrese de realizar pausas con

frecuencia.

Seguridad eléctrica



Advertencia. Este producto debe conectarse a una toma de tierra. Compruebe siempre que el voltaje suministrado corresponda al indicado en la placa de características.

El enchufe de la herramienta eléctrica debe corresponder a la toma de corriente utilizada. No modifique nunca el enchufe de ninguna forma. Los enchufes no modificados y las tomas de corriente compatibles reducen el riesgo de descarga eléctrica.

- ◆ Si se dañara el cable de alimentación, deberá ser sustituido por el fabricante o por un centro de asistencia técnica autorizado de BLACK+DECKER para evitar cualquier situación de riesgo.

Cables de extensión y productos de la clase 1

- ◆ El cable de 3 núcleos debe utilizarse cuando el aparato esté conectado a una toma de tierra y cumpla con la clase 1.
- ◆ Es posible utilizar hasta 30 m sin perder energía

Etiquetas del aparato

Los siguientes pictogramas están colocados junto al código en el aparato.



PRECAUCIÓN Vapor caliente



No dejar sin vigilancia con niños pequeños



Lavar a 60 °C. No utilizar lejía ni suavizante

Características

Este aparato incluye una o más de las siguientes características.

1. Interruptor de encendido/apagado
2. Mando Autoselect™
3. Empuñadura del limpiador de vapor a mano
4. Tapón de llenado
5. Depósito de agua
6. Acoplamiento
7. Botón de extracción de la extensión para suelos
8. Extensión para suelos
9. Cabeza para limpieza de suelos
10. Almohadilla limpiadora
11. Pestaña de extracción de la almohadilla limpiadora
12. Manguera de enganche de accesorio
13. Cepillo angular (para usar en manchas difíciles de remover)
14. Cepillo (para usar en baldosas / cemento)
15. Escurreidor (para usar en mamparas de ducha / cristales / espejos / ropa / tapicería)
16. Almohadilla limpiadora para la escobilla de goma

Ensamblaje



Advertencia. Antes de llevar a cabo cualquiera de las siguientes instrucciones, asegúrese de que el aparato está apagado, desenchufado y frío, y de que no contenga agua.

Colocación de la extensión para suelos a la cabeza para limpieza de suelos (Fig. A)

- ◆ Empuje firmemente la extensión para suelos (8) en la cabeza de limpieza de suelos (9) comprobando que haga clic al encajar en su lugar.

Colocación del limpiador a vapor de mano en la extensión para suelos (Fig. B)

- ◆ Empuje firmemente el limpiador a vapor de mano en la extensión para suelos (8) comprobando que encaje correctamente en el acoplamiento (6) y que haga clic al encajar.

Advertencia. Inspeccione la junta entre el punto de conexión del limpiador a vapor de mano y la extensión para suelos (8) antes de cada uso. Si la junta no ajusta bien o está dañada, póngase en contacto con su agente de servicio técnico autorizado más cercano. No utilice el aparato.

Extraer el limpiador a vapor de mano

- ◆ Apriete el botón de extracción (7) en la extensión para suelos (8) y levante el limpiador a vapor de mano del acoplamiento (6).

Instalación de la almohadilla limpiadora (Fig. C)

Las almohadillas limpiadoras de repuesto están disponibles en el distribuidor de BLACK+DECKER más cercano (cat. n.º FSMP20-XJ).

- ◆ Coloque una almohadilla limpiadora (10) en el suelo con la cinta de velcro con fibras en bucle hacia arriba.
- ◆ Empuje suavemente la mopa de vapor hacia abajo sobre la almohadilla limpiadora (10).

Precaución. Durante un imprevisto, no deje nunca la mopa de vapor en el mismo sitio sobre ningún tipo de superficie, aunque sea por poco tiempo. Coloque siempre la mopa de vapor con el mango en posición vertical cuando esté parada y asegúrese de que esté apagada cuando no la use.

Extracción de la almohadilla limpiadora

Precaución. Utilice siempre un calzado adecuado cuando cambie la almohadilla limpiadora de la mopa de vapor.

No utilice zapatillas o calzado abierto.

- ◆ Vuelva a colocar la mopa de vapor en posición vertical y coloque el interruptor de la mopa de vapor en posición de apagado.
- ◆ Espere a que la mopa de vapor se enfríe (aproximadamente 5 minutos).
- ◆ Levante la mopa de vapor de la almohadilla de limpieza y libérela de la sujeción de velcro poniendo un peso en la pestaña de extracción de la almohadilla de limpieza (11).

Precaución. Durante un imprevisto, no deje nunca la mopa de vapor en el mismo sitio sobre ningún tipo de superficie, aunque sea por poco tiempo.

Coloque siempre la mopa de vapor con el mango en posición vertical cuando esté parada y asegúrese de que esté apagada cuando no la use.

Llenado del depósito de agua (Fig. D)

Nota. Llene el depósito con agua limpia del grifo (no use productos químicos ni aditivos).

Nota. En zonas con agua dura, se recomienda el uso de agua desionizada.

- ◆ Gire el tapón de llenado (4) hacia arriba para abrirlo.
- ◆ Llene el depósito de agua (no use aditivos ni productos químicos).

Advertencia. Durante el llenado, mantenga en posición horizontal.

Advertencia. La capacidad del depósito de agua es de 0.5 litros. No llene en exceso el depósito.

- ◆ Cierre el tapón de llenado (4).

Nota. Asegúrese de que el tapón de llenado esté bien colocado.

Uso

Importante: Esta unidad elimina el 99.9 % de las bacterias y los gérmenes si se utiliza de acuerdo con este manual, con las almohadillas de microfibra puestas y durante un lapso continuado de 90 segundos.

Encendido y apagado (Fig. F)

- ◆ Para encender el aparato, pulse el botón de encendido y apagado (1). La mopa de vapor tarda aproximadamente 15 segundos en calentarse.
- ◆ Para apagar el aparato, pulse el botón de encendido y apagado (1).

Precaución. Durante un imprevisto, no deje nunca la mopa de vapor en el mismo sitio sobre ningún tipo de superficie, aunque sea por poco tiempo.

Coloque siempre la mopa de vapor con el mango en posición vertical cuando esté parada y asegúrese de que esté apagada cuando no la use.

Precaución. Vacíe siempre la mopa de vapor después de utilizarla.




Nota. Puede que tarde hasta 45 segundos en producir vapor al llenarla por primera vez o después de utilizarla en seco.

Tecnología Autoselect™ (Fig. E)

Esta mopa de vapor cuenta con el mando Autoselect™ (2) que presenta varias aplicaciones de limpieza.

Se utilizan para seleccionar el modo de funcionamiento correcto para cada trabajo de limpieza en particular.

Mediante Autoselect™, seleccione una de las siguientes aplicaciones girando el mando Autoselect™ (2) para seleccionar el ajuste que desee:

Configuración	Mopa	Limpiador a mano
	Madera/ Laminado	Flujo de vapor bajo ●
	Baldosas/ Vinilo	Flujo de vapor medio ● ●
	Piedra/ Mármol	Flujo de vapor alto ● ● ●

La mopa de vapor seleccionará el volumen correcto de vapor que requiere esta operación de limpieza en particular.

Nota: Compruebe siempre que esté utilizando el ajuste correcto antes de utilizar la mopa de vapor.

Colocación de la manguera y los accesorios en el limpiador a vapor de mano

Advertencia. Inspeccione la junta entre el punto de conexión del limpiador a vapor de mano y la manguera de vapor (12) antes de cada uso.

Si la junta no ajusta bien o está dañada, póngase en contacto con su agente de servicio técnico autorizado más cercano. No utilice el aparato.

Colocación de la manguera (Fig. H)

- ◆ Pulse el botón de extracción de la manguera de vapor (17) de la manguera de vapor (12).
- ◆ Conecte la manguera de vapor (12) al limpiador de vapor a mano y suelte el botón de extracción de la manguera de vapor (17) asegurándose de que haga clic.

Importante: Asegúrese de que la manguera de vapor (12) esté correctamente fijada al limpiador de vapor a mano. Si sale vapor de la junta, la junta está mal colocada. Apague la unidad y espere a que se enfríe antes de extraer y volver a colocar la manguera.

Advertencia. Debe apagar la unidad antes de instalar la manguera.

Colocación de accesorios (Fig. I)

- ◆ Alinee las aletas de la boquilla de vapor (12) con las hendiduras del accesorio.
- ◆ Presione el accesorio en la boquilla de vapor y gírelo en sentido contrario al de las agujas del reloj hasta que encaje en su lugar.

Importante: Todos los demás accesorios deben conectarse a la manguera de vapor (12) para poder utilizarse.

Extracción de la manguera y los accesorios

Advertencia. La manguera de vapor (12), la boquilla de vapor y los accesorios se calientan durante el uso. Espere a que la unidad y todos los accesorios se enfríen antes de extraerlos.

Extracción de accesorios

- ◆ Gire el accesorio en el sentido de las agujas del reloj y extráigalo de la manguera (12).

Extracción de la manguera

- ◆ Pulse el botón de extracción de la manguera de vapor (17) de la manguera de vapor (12) y sáquela de la limpiadora de vapor a mano.

Consejos por un uso óptimo

Información general

Precaución: No utilice nunca la mopa de vapor sin colocar primero una almohadilla limpiadora.

- ◆ Antes de utilizar la mopa de vapor, aspire o barra siempre el suelo.
- ◆ La manera más fácil de utilizar el aparato consiste en inclinar la unidad hasta un ángulo de 45° y limpiar lentamente, cubriendo una zona pequeña por vez.

- ◆ Use agua solamente, sin ningún producto químico ni aditivos con su mopa de vapor. Para eliminar las manchas resistentes de los suelos de vinilo o linóleo, puede tratarlas con un detergente suave y un poco de agua antes de utilizar la mopa de vapor.

- ◆ Extraiga la almohadilla limpiadora (10) y lávela para tenerla lista para el próximo uso (tenga cuidado de seguir las instrucciones de lavado impresas en la almohadilla limpiadora).

Limpieza a vapor con la mopa

- ◆ Coloque el limpiador a vapor de mano en la extensión para suelos (8).
- ◆ Coloque una almohadilla limpiadora (10) en el suelo con la cinta de velcro con fibras en bucle hacia arriba.
- ◆ Empuje suavemente la mopa de vapor hacia abajo sobre la almohadilla limpiadora (10).
- ◆ Conecte la mopa de vapor a la corriente.
- ◆ Pulse el botón de encendido y apagado (1). La mopa de vapor tarda aproximadamente 15 segundos en calentarse.
- ◆ Gire el mando Autoselect™ (2) hasta la configuración deseada. Al cabo de pocos segundos, comenzará a salir vapor de la cabeza de vapor.

Nota. Puede que tarde hasta 45 segundos en producir vapor al llenarla por primera vez o después de utilizarla en seco.

- ◆ Transcurren unos segundos hasta que el vapor llega a la almohadilla limpiadora. A continuación, la mopa de vapor podrá deslizarse con facilidad sobre la superficie que desee desinfectar o limpiar.
- ◆ Empuje y arrastre lentamente la mopa de vapor hacia delante y hacia atrás por la superficie para limpiar a fondo cada sección.
- ◆ Cuando haya terminado de usar la mopa, vuelva a poner el mango (8) en posición vertical y compruebe que esté apoyada y apagada. Espere a que la mopa de vapor se enfríe (aproximadamente cinco minutos).

Precaución. Es importante que controle el nivel del depósito de agua.

Para llenar el depósito de agua y continuar con la desinfección o limpieza, coloque la mopa en posición vertical, compruebe que quede apoyada y apague la mopa. Desenchufe la unidad de la toma eléctrica de la pared y llene el depósito de agua.

Precaución. Durante un imprevisto, no deje nunca la mopa de vapor en el mismo sitio sobre ningún tipo de superficie, aunque sea por poco tiempo. Coloque siempre la mopa de vapor con el mango en posición vertical cuando esté parada y asegúrese de que esté apagada cuando no la use.

Después de la utilización

- ◆ Gire el mando Autoselect™ (2) hasta la posición de apagado.
- ◆ Espere a que la mopa de vapor se enfríe.
- ◆ Desenchufe la mopa de vapor de la toma de corriente de la pared.
- ◆ Vacíe el depósito de agua.

Accesorios

El rendimiento del aparato depende de los accesorios que utilice. Los accesorios de BLACK+DECKER han sido fabricados siguiendo estándares de alta calidad y han sido diseñados para mejorar el funcionamiento del aparato. Con estos accesorios, sacará el máximo provecho a su equipo.

Limpiador a vapor de mano

Advertencia. ! Mantenga la unidad en posición horizontal durante su uso.

- ◆ Coloque el accesorio que necesite.
- ◆ Conecte el limpiador a vapor de mano a la corriente.
- ◆ Pulse el botón de encendido y apagado (1). La mopa de vapor tarda aproximadamente 15 segundos en calentarse.
- ◆ Gire el mando Autoselect™ (2) hasta la configuración deseada. Al cabo de pocos segundos, comenzará a salir vapor de la cabeza de vapor.

Nota. Puede que tarde hasta 45 segundos en producir vapor al llenarla por primera vez o después de utilizarla en seco.

- ◆ Cuando haya terminado de usar el limpiador a vapor de mano, gire el mando Autoselect™ (2) hacia la posición de apagado. Apague la unidad pulsando el botón de encendido/apagado (1) y desenchúfela de la corriente. Espere a que la unidad se enfríe antes de guardarla (aproximadamente cinco minutos).

Datos técnicos

FSMH1300FX		
Tensión	V _{ca}	230
Alimentación	W	1300
Capacidad del depósito	ml	500
Peso	kg	2.4

Resolución de problemas

Si nota que el aparato no funciona bien, siga las instrucciones que se indican a continuación. Si no se resuelve el problema, póngase en contacto con un técnico autorizado de BLACK+DECKER.

Problema	Paso	Posible solución
La mopa no se apaga	1.	Compruebe que el aparato esté enchufado en una toma de corriente de pared.
	2.	Compruebe que el aparato esté encendido usando el interruptor de apagado y encendido (1)
	3.	Compruebe el fusible del enchufe.

Problema	Paso	Posible solución
La mopa no genera vapor	4.	La mopa de vapor producirá calor solo si el limpiador a vapor de mano (5) está correctamente acoplado en el cuerpo principal (11), la manguera de vapor está colocada y el Autoselect™ está encendido.
	5.	Compruebe que el depósito de agua esté lleno. Nota: Puede que tarde hasta 45 segundos en producir vapor al llenarla por primera vez o después de utilizarla en seco.
	6.	Compruebe los pasos 1, 2 y 3.
La mopa deja de producir vapor durante el uso	7.	Compruebe los pasos 4, 5 y 3.
La mopa de vapor produce demasiado vapor durante el uso	8.	Gire el mando Autoselect™ (2) en sentido antihorario para reducir la cantidad de vapor producido
La mopa produce demasiado poco vapor durante el uso	9.	Gire el mando Autoselect™ (2) en sentido horario para aumentar la cantidad de vapor producido
¿Dónde puedo obtener más información/ accesorios?	10.	www.blackanddecker.co.uk/steam mop www.blackanddecker.ie/steam mop

Utilização pretendida

A sua mopa a vapor BLACK+DECKER™ FSMH1300FX foi concebida para desinfetar e limpar chãos de madeiras duras seladas, laminados selados, linóleo, vinil, mosaicos, pedra e mármore. Este aparelho destina-se apenas a utilização doméstica em interiores.

Instruções de segurança



Atenção! Leia todos os avisos de segurança e todas as instruções. O não cumprimento dos seguintes avisos e instruções pode resultar em choque eléctrico, incêndio e/ou ferimentos graves.



Atenção! Quando utilizar equipamentos eléctricos, deve sempre cumprir medidas de segurança básicas, incluindo as que se seguem, de modo a reduzir os riscos de incêndio, choque eléctrico, ferimentos e danos materiais.

- ◆ A utilização prevista para este equipamento está descrita no manual. A utilização de qualquer acessório ou a execução de qualquer operação com este equipamento que não esteja incluída no presente manual de instruções poderá representar um risco de ferimentos pessoais.
- ◆ Conserve este manual para referência futura.

Utilizar o equipamento

- ◆ Não oriente o vapor para pessoas, animais, equipamentos eléctricos ou tomadas.
- ◆ Não exponha o equipamento à chuva.
- ◆ Não mergulhe o equipamento em água.
- ◆ Não deixe o equipamento sem vigilância.
- ◆ Não deixe o equipamento ligado a uma tomada eléctrica quando não estiver a ser utilizado.
- ◆ Nunca puxe pelo cabo de alimentação para desligar o equipamento da tomada. Mantenha o equipamento afastado do calor, óleo e arestas afiadas.
- ◆ Não pegue na máquina de limpeza a vapor com as mãos molhadas.

- ◆ Não puxe nem transporte pelo cabo, não o utilize como pega, não o entale nas portas, não o puxe em torno de arestas agudas nem o exponha a superfícies aquecidas.
- ◆ Não utilize o equipamento num espaço fechado e cheio de vapor emitido por diluente à base de óleo, algumas substâncias anti-traças, poeiras inflamáveis ou outros vapores explosivos ou tóxicos.
- ◆ Verifique o tipo de chão junto do fabricante.
- ◆ Não utilize em peles, mobiliário ou chãos encerados, tecidos sintéticos, veludo ou outros materiais delicados e sensíveis ao vapor.



Atenção! Não utilize em chãos de madeira ou laminado não selados. Em superfícies que tenham sido tratadas com cera ou em alguns chãos não encerados, o brilho poderá ser removido por acção do calor e do vapor. Antes de iniciar a limpeza, é sempre recomendável efectuar um teste numa área isolada da superfície a limpar. Também recomendamos que consulte as instruções de utilização e manutenção do fabricante do chão.

- ◆ Nunca utilize produtos de desincrustação, aromáticos, alcoólicos ou detergentes na máquina de limpeza a vapor, uma vez que a poderão

danificar ou tornar a sua utilização perigosa.

- ◆ Se o disjuntor doméstico disparar durante a utilização da função de vapor, suspenda de imediato a utilização do produto e contacte o centro de apoio ao cliente. (Atenção ao risco de choque eléctrico.)
- ◆ O equipamento emite vapor muito quente para desinfectar a área em que é utilizado. Isso significa que a cabeça de vapor, panos de limpeza e acessório para alcatifas aquecem muito durante a utilização.

Cuidado! Calce sempre sapatos adequados quando utilizar a mopa a vapor ou substituir os acessórios da mesma. Não calce chinelos ou sandálias.

- ◆ A tampa pode aquecer durante a utilização.
- ◆ Poderá haver libertação de vapor durante a utilização do equipamento. Deverá ter cuidado ao utilizar o equipamento. NÃO toque em nenhuma peça que possa aquecer durante a utilização.
- ◆ Desligue o equipamento e volte a colocar a pega na posição vertical antes de remover o reservatório de água.
- ◆ Se observar uma libertação de vapor do corpo da máquina de limpeza a vapor manual, desligue e desconecte a unidade da alimentação principal, deixando-a arrefecer. Contacte o técnico de reparação autorizado mais próximo. Não continue a utilizar o equipamento.

Após a utilização

- ◆ Desligue o equipamento e deixe-o arrefecer antes de o limpar.
- ◆ Quando não estiver a ser utilizado, o equipamento deve ser guardado num local seco.
- ◆ As crianças não devem ter acesso a equipamentos armazenados.

Inspeção e reparações

- ◆ Antes de executar qualquer manutenção ou reparação, desligue o equipamento da tomada e deixe-o arrefecer.
- ◆ Antes da utilização, verifique a existência de peças danificadas ou avariadas no equipamento. Verifique se há peças partidas, danos nos interruptores ou outro tipo de condições que possam afectar o funcionamento.
- ◆ Verifique regularmente se o cabo de alimentação apresenta danos.
- ◆ Não utilize o equipamento se alguma das peças se encontrar danificada ou avariada.
- ◆ Mande reparar ou substituir quaisquer peças danificadas ou avariadas por um técnico de reparação autorizado.
- ◆ Nunca tente retirar ou substituir quaisquer peças que não as especificadas neste manual.

Segurança de terceiros

- ◆ Este equipamento pode ser utilizado por crianças com 8 anos de idade ou mais e por pessoas que apresentem capacidades físicas, sensoriais ou mentais reduzidas ou que não

possuam os conhecimentos e a experiência necessários, se forem vigiadas e instruídas acerca da utilização do equipamento de uma forma segura e entenderem os perigos envolvidos. As crianças não devem mexer no equipamento. A limpeza e manutenção não deverão ser efectuadas por crianças sem supervisão.

- ◆ As crianças devem ser vigiadas para que não mexam no equipamento.

Riscos residuais

Podem surgir riscos residuais adicionais durante a utilização da ferramenta, que poderão não constar nos avisos de segurança incluídos. Estes riscos podem resultar de má utilização, uso prolongado, etc.

Mesmo com o cumprimento dos regulamentos de segurança relevantes e a implementação de dispositivos de segurança, alguns riscos residuais não podem ser evitados. Estes incluem:

- ◆ Ferimentos causados pelo contacto com peças em movimento.
- ◆ Ferimentos causados pelo contacto com peças quentes.
- ◆ Ferimentos causados durante a troca de peças ou acessórios.
- ◆ Ferimentos causados pela utilização prolongada do equipamento. Quando utilizar um equipamento durante um período prolongado, faça intervalos regulares.

Segurança eléctrica



Atenção! Este produto deve ter ligação à terra. Verifique sempre se a tensão da tomada de electricidade corresponde à tensão indicada na placa com os requisitos de alimentação da ferramenta.

As fichas eléctricas devem encaixar na tomada. Nunca modifique a ficha de forma alguma. As fichas não modificadas e as tomadas compatíveis reduzem o risco de choque eléctrico.

- ◆ Se o cabo de alimentação estiver danificado, terá de ser substituído pelo fabricante ou por um centro de assistência autorizado BLACK+DECKER para evitar acidentes.

Cabos de extensão e produto de Classe 1

- ◆ Deve ser utilizado um cabo de 3 condutores dado que o seu equipamento tem ligação à terra e pertence à Classe 1.
- ◆ Podem ser utilizados até 30 m sem perda de energia

Rótulos do aparelho

Os seguintes pictogramas, assim como o código de data, estão indicados na ferramenta.



CUIDADO Vapor quente



Não deixe que a máquina seja utilizada por crianças sem supervisão



Lave a 60 °C. Não utilize lixívia ou amaciador

Características

Este aparelho inclui algumas ou todas as seguintes características.

1. Interruptor de ligar/desligar
2. Mostrador Autoselect™
3. Pega da unidade de vapor manual
4. Tampão de enchimento
5. Reservatório de água
6. Interface
7. Botão de libertação da extensão para o chão
8. Extensão para o chão
9. Cabeça de limpeza do chão
10. Pano de limpeza
11. Patilha de remoção do pano de limpeza
12. Mangueira do acessório
13. Acessório da escova em ângulo (para utilização em manchas difíceis de remover)
14. Acessório da escova (para utilização em azulejos/calda de cimento)
15. Esponja (para utilização em resguardos para duche/vidro/espelhos/vestuário/estofos)
16. Bolsa para rodos

Montagem



Atenção! Antes de tentar seguir qualquer das seguintes instruções, certifique-se de que o aparelho está desligado e que a respectiva ficha não está ligada à corrente eléctrica, se encontra à temperatura ambiente e não contém água.

Fixar a extensão para o chão na cabeça de limpeza do chão (Fig. A)

- ◆ Empurrar a extensão para o chão (8) com firmeza na cabeça de limpeza do chão (9) assegurando-se de que encaixa em segurança no respectivo local.

Fixar a unidade de vapor manual na extensão para o chão (Fig. B)

- ◆ Empurre a unidade de vapor manual com firmeza na extensão para o chão (8) assegurando-se de que encaixa correctamente sobre a interface (6) e encaixa com firmeza no respectivo local.

Atenção! Verifique o selo entre o ponto de ligação na máquina de limpeza a vapor manual e a extensão para o chão (8) antes de cada utilização. Se o selo avariar ou estiver danificado, contacte o seu agente de reparação autorizado mais próximo. Não utilize o aparelho.

Remover a unidade de vapor manual

- ◆ Empurre o botão de libertação (7) na extensão para o chão (8) e levante a unidade de vapor manual da interface (6).

Fixar um pano de limpeza (Fig. C)

Encontram-se disponíveis panos de limpeza sobresselentes no seu agente BLACK+DECKER (cat. nº. F5MP20-XJ).

- ◆ Coloque um pano de limpeza (10) no chão com o lado de "gancho" com velcro para cima.
- ◆ Prima ligeiramente a mopa a vapor para baixo sobre o pano de limpeza (10).

Cuidado! Nunca deixe a mopa a vapor no mesmo ponto de uma superfície durante muito tempo. Quando não a estiver a utilizar, coloque sempre a mopa a vapor na posição vertical, certificando-se de que se encontra desligada.

Remover um pano de limpeza

Cuidado! Calce sempre sapatos adequados ao mudar o pano de limpeza da mopa a vapor.

Não calce chinelos nem sandálias.

- ◆ Volte a colocar a pega na posição vertical e desligue a mopa a vapor.
- ◆ Deixe a mopa a vapor arrefecer antes de a guardar (cerca de 5 minutos).
- ◆ Afaste a mopa a vapor do pano de limpeza, libertando-o do fecho de velcro, ao colocar peso sobre a patilha de remoção do pano de limpeza (11).

Cuidado! Nunca deixe a mopa a vapor no mesmo ponto de uma superfície durante muito tempo.

Quando não a estiver a utilizar, coloque sempre a mopa a vapor na posição vertical, certificando-se de que se encontra desligada.

Encher o reservatório de água (Fig. D)

Nota! Encha o reservatório de água com água limpa da torneira (não utilize produtos químicos ou aditivos).

Nota! Em zonas de água dura, recomendamos a utilização de água desionizada.

- ◆ Abra o tampão de enchimento (4), pressionando-o.
- ◆ Encha o reservatório de água com água (não utilize aditivos ou produtos químicos).

Atenção! Quando o encher, mantenha-o na horizontal.

Atenção! O reservatório de água tem uma capacidade de 0,5 litros. Não encha demasiado o reservatório.

- ◆ Feche o tampão de enchimento (4).

Nota! Certifique-se de que o tampão de enchimento está bem fixado.

Utilização

Importante! Esta unidade mata 99,9% das bactérias e dos germes, se for utilizada de acordo com as instruções indicadas neste manual e com os panos de micro fibras colocado e durante 90 segundos sem parar.

Ligar e desligar (Fig. F)

- ◆ Para ligar o aparelho, prima o interruptor LIGAR/ DESLIGAR (1). A mopa a vapor demora aproximadamente 15 segundos a aquecer.
- ◆ Para desligar o aparelho, prima o interruptor LIGAR/ DESLIGAR (1).

Cuidado! Nunca deixe a mopa a vapor no mesmo ponto de uma superfície durante muito tempo.

Quando não a estiver a utilizar, coloque sempre a mopa a vapor na posição vertical, certificando-se de que se encontra desligada.

Cuidado! Esvazie sempre a mopa a vapor após a utilização.

Nota! Quando ficar cheia pela primeira vez ou depois de ficar seca, o vapor pode demorar até 45 segundos.

Tecnologia Autoselect™ (Fig. E)

Esta mopa a vapor inclui um mostrador (2) Autoselect™ que mostra várias aplicações de limpeza. São utilizadas para seleccionar o modo de funcionamento correcto para uma operação de limpeza específica.

Utilizando o Autoselect™, escolha uma das seguintes aplicações, rodando o mostrador Autoselect™ (2) até que seja seleccionada a definição pretendida.

Regulação	Mopa	Manual
	Madeira/ laminado	Fluxo de vapor reduzido ●
	Mosaicos/ vinil	Fluxo de vapor médio ● ●
	Pedra/ mármore	Fluxo de vapor elevado ● ● ●

A mopa a vapor seleccionará o volume de vapor correcto necessário para a operação de limpeza específica.

Nota: Verifique sempre se está a utilizar a definição correcta antes de utilizar a mopa a vapor.

Montagem da mangueira e dos acessórios à máquina de limpeza a vapor manual

Atenção! Verifique o selo entre o ponto de ligação na máquina de limpeza a vapor manual e a mangueira de vapor (12) antes de cada utilização. Se o selo avariar ou estiver danificado, contacte o seu agente de reparação autorizado mais próximo. Não utilize o aparelho.

Fixar a mangueira (Fig. H)

- ◆ Pressione o botão de libertação da mangueira de vapor (17) na mangueira de vapor (12).
- ◆ Ligue a mangueira de vapor (12) à máquina de limpeza a vapor manual e liberte o botão de libertação da mangueira de vapor (17), certificando-se de que encaixa no respetivo local.

Importante! Certifique-se de que a mangueira de vapor (12) está fixada correctamente na máquina de limpeza a vapor manual. Se houver fuga de vapor pela junta, isso significa que a mangueira foi montada incorrectamente. Desligue, deixe a unidade arrefecer, retire e volte a montar a mangueira.

Atenção! Deve desligar a unidade antes de inserir a mangueira.

Fixar acessórios (Fig. I)

- ◆ Alinhe o bocal de vapor (12) com os encaixes do acessório.
- ◆ Prima o acessório no bocal de vapor e rode-o no sentido contrário ao dos ponteiros do relógio até ouvir um som de encaixe.

Importante! Todos os acessórios devem ser ligados à mangueira de vapor (12) para utilização.

Remover a mangueira e os acessórios

Atenção! A mangueira de vapor (12), o bocal de vapor e os acessórios ficam quentes durante a utilização. Deixe a unidade e todos os acessórios arrefecerem antes de removê-los.

Remover acessórios

- ◆ Rode o acessório no sentido dos ponteiros do relógio e, em seguida, retire da mangueira (12).

Remover a mangueira

- ◆ Prima o botão de libertação da mangueira de vapor (17) na mangueira de vapor (12) e afaste-a da unidade de vapor manual.

Sugestões para uma utilização óptima

Geral

Atenção: Nunca utilize a mopa a vapor sem fixar primeiro um pano de limpeza.

- ◆ Aspire ou limpe sempre o chão antes de utilizar a mopa a vapor.
- ◆ A forma mais fácil de utilizar o aparelho é inclinar a unidade a um ângulo de 45° e limpando lentamente, cobrindo uma área pequena de cada vez.
- ◆ Utilize apenas água sem aditivos ou produtos químicos na mopa a vapor.

Para remover manchas persistentes de chãos de vinil ou linóleo, poderá efectuar um tratamento prévio com um detergente suave e um pouco de água antes de utilizar a mopa a vapor.

Limpeza a vapor com a mopa

- ◆ Encaixe a máquina de limpeza a vapor manual na extensão para o chão (8)
- ◆ Coloque um pano de limpeza (10) no chão com o lado de “gancho” com velcro para cima.
- ◆ Prima ligeiramente a mopa a vapor para baixo sobre o pano de limpeza (10).
- ◆ Ligue a mopa a vapor à corrente eléctrica.
- ◆ Prima o botão LIGADO/DESLIGADO (1). A mopa a vapor demora aproximadamente 15 segundos a aquecer.
- ◆ Rode o mostrador (2) Autoselect™ até ser atingida a definição necessária. Após alguns segundos, começará a sair vapor da cabeça de vapor.

Nota! Quando ficar cheia pela primeira vez ou depois de ficar seca, o vapor pode demorar até 45 segundos.

- ◆ O vapor demora alguns segundos a entrar no pano de limpeza. A mopa a vapor deslizará agora facilmente sobre a superfície a desinfectar/limpar.
- ◆ Empurre e puxe lentamente a mopa a vapor ao longo da superfície para limpar profundamente a vapor todas as secções do chão.
- ◆ Quando terminar a limpeza com a mopa a vapor, volte a colocar a pega (8) na posição vertical, certificando-se de que fica apoiada e coloque-a na posição Desligado. Deixe a mopa a vapor arrefecer antes de a guardar (cerca de cinco minutos).

Cuidado! É importante monitorizar o nível de água no reservatório. Para atestar o reservatório de água e continuar a desinfecção/limpeza, volte a colocar a pega na posição vertical, certificando-se de que fica apoiada e DESLIGUE a mopa a vapor. Desligue a unidade da tomada eléctrica e ateste o reservatório de água.

Cuidado! Nunca deixe a mopa a vapor no mesmo ponto de uma superfície durante muito tempo. Quando não a estiver a utilizar, coloque sempre a mopa a vapor na posição vertical, certificando-se de que se encontra desligada.

Após a utilização

- ◆ Rode o mostrador (2) Autoselect™ para a posição DESLIGADO.
- ◆ Deixe a mopa a vapor arrefecer.
- ◆ Desligue a mopa a vapor da tomada eléctrica.
- ◆ Esvazie o reservatório de água.
- ◆ retire o pano de limpeza (10) e lave-o para a próxima utilização (deve ler as instruções de cuidados de lavagem impressas no pano de limpeza).

Acessórios

O desempenho do aparelho depende dos acessórios utilizados. Os acessórios BLACK+DECKER são concebidos segundo normas de elevada qualidade e desenvolvidos de modo a melhorar o desempenho do seu aparelho. Utilizando estes acessórios, tirará o melhor partido do seu equipamento.

Limpeza a vapor manual

Atenção! ! Mantenha a unidade na horizontal durante a utilização.

- ◆ Fixe o acessório necessário.
- ◆ Ligue a máquina de limpeza a vapor manual à corrente eléctrica.
- ◆ Prima o botão LIGADO/DESLIGADO (1). A mopa a vapor demora aproximadamente 15 segundos a aquecer.
- ◆ Rode o mostrador (2) Autoselect™ até ser atingida a definição necessária. Após alguns segundos, começará a sair vapor da cabeça de vapor.

Nota! Quando ficar cheia pela primeira vez ou depois de ficar seca, o vapor pode demorar até 45 segundos.

- ◆ Quando terminar a limpeza com a máquina de limpeza a vapor, coloque o mostrador Autoselect™ (2) na posição DESLIGADO. Prima o botão LIGAR/DESLIGAR (1) para desligar a unidade e depois retire a ficha da fonte de alimentação. Aguarde até a unidade arrefecer antes de armazená-la (cerca de cinco minutos).

Dados técnicos

FSMH1300FX		
Tensão	V _{ac}	230
Potência	W	1300
Capacidade do reservatório	ml	500
Peso	kg	2,4

Resolução de problemas

Se achar que o aparelho não está a funcionar correctamente, respeite as instruções apresentadas em seguida.

Se não conseguir resolver o problema, contacte o agente local de reparação BLACK+DECKER.

Problema	Passo	Solução possível
A mopa a vapor não liga	1.	Verifique se a unidade está ligada à tomada de parede.
	2.	Verifique se a unidade está ligada, utilizando o interruptor LIGAR/DESLIGAR (1)
	3.	Verifique o fusível na ficha.

Problema	Passo	Solução possível
A mopa a vapor não produz vapor	4.	A mopa a vapor só irá produzir vapor se a máquina de limpeza a vapor manual (5) estiver inserida correctamente no corpo principal (11) ou a mangueira de vapor estiver instalada ou se o mostrador Autoselect™ estiver na posição LIGADO
	5.	Verifique se o reservatório de água está cheio. Nota: Quando ficar cheio pela primeira vez ou depois de ficar seco, o vapor pode demorar até 45 segundos a ser produzido.
	6.	Verifique o passo 1 e depois o 2 e o 3.
A mopa a vapor pára de produzir vapor durante a utilização	7.	Verifique o passo 4 e depois o 5 e o 3.
A mopa a vapor produz demasiado vapor durante a utilização	8.	Rode o mostrador Autoselect™ (2) no sentido contrário ao dos ponteiros do relógio para reduzir a quantidade de vapor produzida
A mopa a vapor produz pouco vapor durante a utilização	9.	Rode o mostrador Autoselect™ (2) no sentido dos ponteiros do relógio para aumentar a quantidade de vapor produzida
Onde posso obter mais informações/acessórios	10.	www.blackanddecker.co.uk/steam mop www.blackanddecker.ie/steam mop

(ÖVERSÄTTNING AV ORIGINALANVISNINGARNÄ)

Avsedd användning

Din BLACK+DECKER™ FSMH1300FX ångmopp är konstruerad för sanering och rengöring av golv av förseglat hårdträ, förseglat laminat, linoleum, vinyl, kakel, sten och marmor samt för uppfräschning av mattor. Denna apparat är endast avsett för inomhusbruk i hemmet.

Säkerhetsinstruktioner



Varning! Läs alla säkerhetsvarningar och alla instruktioner. Fel som uppstår till följd av att varningarna och instruktionerna som listas nedan inte följts kan orsaka elstöt, brand och/eller allvarliga kroppsskador.



Varning! Vid användning av nätdrivna apparater ska allmänna säkerhetsåtgärder, inklusive följande, alltid vidtas. Detta för att förhindra brand, elstötar, person- och materialskador.

- ◆ Avsedd användning beskrivs i den här bruksanvisningen.

Använd inte apparaten med andra tillbehör eller tillsatser än de som rekommenderas i den här bruksanvisningen eftersom detta kan leda till personskador.

- ◆ Spara den här bruksanvisningen för framtida bruk.

Använda apparaten

- ◆ Rikta inte ångan direkt mot andra människor, djur, elektriska apparater eller eluttag.
- ◆ Utsätt den inte för regn.
- ◆ Doppa aldrig ned apparaten i vatten.
- ◆ Lämna aldrig apparaten oövervakad.
- ◆ Lämna aldrig apparaten ansluten till ett eluttag när den inte används.
- ◆ Dra aldrig i nätsladden när du kopplar bort apparaten från eluttaget. Håll apparatens sladd borta från värme, olja och vassa kanter.
- ◆ Hantera inte ångrengöraren med våta händer.
- ◆ Dra inte eller bär apparaten i sladden. Använd inte sladden som handtag, kläm inte sladden i en dörr, dra inte sladden runt skarpa hörn och utsätt aldrig sladden för varma ytor.

- ◆ Använd inte apparaten i ett slutet utrymme fyllt med ångor från oljebaserat lackthinner, vissa malmedel, lättantändligt damm eller andra explosiva eller giftiga ångor.
- ◆ Kontrollera golvtypen med tillverkaren.
- ◆ Använd inte på läder, vaxpolerade möbler eller golv, syntettyger, sammet eller andra ömtåliga eller ångkänsliga material.



Varning! Använd inte på oförseglade trägolv eller oförseglade laminatgolv. På ytor som har behandlats med vax eller vissa vaxfria golv, kan glansen försvinna av värmen och ångan. Det rekommenderas alltid att du testar att rengöra en begränsad yta innan du fortsätter. Vi rekommenderar också att du kontrollerar användnings- och skötselinstruktionerna från golv tillverkaren.

- ◆ Lägg aldrig i avkalkningsmedel, aromatiska ämnen, alkoholhaltiga vätskor eller rengöringsmedel i ångrengöraren eftersom det kan skada den eller göra den osäker att använda.
- ◆ Om jordfelsbrytaren utlöses när du använder ångfunktionen avbryter du genast användningen och kontakter kundsupportcentret. (Var aktsam – risk för stötar.)
- ◆ Apparaten avger väldigt het ånga som sanerar arbetsytan. Det betyder att ånghuvudet, rengöringsdynorna och mattillsatsen blir väldigt varma under användning.

Försiktighet! Använd alltid lämpliga skor när du använder ångmoppen och när du byter tillbehör på den. Använd inte tofflor eller öppna skor.

- ◆ Locket kan bli varmt under användning.
- ◆ Ånga kan strömma ut från apparaten under användning. Försiktighet ska iakttas vid användning av apparaten. VIDRÖR INTE några delar som blir varma under användning.
- ◆ Stäng av apparaten och sätt tillbaka handtaget i stående läge innan du tar bort locket på vattenbehållaren.
- ◆ Om det kommer ånga ur den handhållna ångrengöraren stänger du av den, kopplar bort den från elnätet och låter den svalna. Kontakta din närmaste auktoriserade verkstad. Använd inte apparaten under dessa förhållanden.

Efter användning

- ◆ Koppla bort apparaten och låt den svalna innan rengöring.
- ◆ När apparaten inte används ska den förvaras på en torr plats.
- ◆ Placera apparaten på ett ställe där barn inte kan komma åt den.

Kontroll och reparationer

- ◆ Koppla bort apparaten och låt den svalna innan du utför något underhåll eller reparationer på den.
- ◆ Kontrollera att apparaten inte är skadad eller har defekta delar.

Kontrollera att inga delar är trasiga, att strömbrytaren fungerar och att inget annat föreligger som kan påverka dess funktion.

- ◆ Kontrollera regelbundet att nätsladden inte har skadats.
- ◆ Använd inte apparaten om någon del har skadats eller gått sönder.
- ◆ Reparera eller byt ut skadade eller trasiga delar på en auktoriserad verkstad.
- ◆ Försök aldrig avlägsna eller byta ut andra delar än de som anges i den här bruksanvisningen.

Säkerhet för andra

- ◆ Apparaten kan användas av barn från åtta år och personer med nedsatt fysisk eller psykisk förmåga eller bristande erfarenhet eller kunskap, om de övervakas och får instruktioner om användningen av apparaten och är medvetna om riskerna. Barn ska inte leka med apparaten. Rengöring och användarunderhåll ska inte utföras av barn utan övervakning.
- ◆ Barn bör övervakas för att garantera att de inte leker med apparaten.

Återstående risker

Ytterligare risker som inte finns med i de bifogade säkerhetsanvisningarna kan uppstå när verktyget används. Dessa risker kan uppstå vid felaktig eller långvarig användning, etc. Även om alla relevanta säkerhetsanvisningar följs och säkerhetsanordningar används kan vissa ytterligare risker inte undvikas.

Dessa omfattar:

- ◆ Skador orsakade av att rörliga delar vidrörs.
- ◆ Skador orsakade av att varma delar vidrörs.
- ◆ Skador som uppstår vid byte av delar eller tillbehör.
- ◆ Skador som orsakas av långvarig användning av apparaten. Se till att ta regelbundna pauser när du använder en apparat under en längre period.

Elsäkerhet



Varning! Produkten måste skyddsjordas. Kontrollera alltid så att spänningen på nätet motsvarar den spänning som finns angiven på märkplåten.

Verktygets stickpropp måste passa till vägguttaget. Modifiera aldrig kontakten på något sätt. Icke modifierade kontakter och passande uttag minskar risken för elektrisk stöt.

- ◆ Om nätsladden är skadad måste den bytas ut av tillverkaren eller en auktoriserad BLACK+DECKER-verkstad för att undvika farliga situationer.

Förlängningskablar och klass 1-produkt

- ◆ Eftersom apparaten är skyddsjordad och konstruerad enligt klass 1 måste en tretrådig kabel användas.
- ◆ Kabeln kan vara upp till 30 m lång utan att effekten försämras

Etiketter på apparaten

Följande symboler tillsammans med datumkoden är synliga på apparaten.



SE UPP Het Ånga



Lämna inte apparaten utan tillsyn tillsammans med unga barn



Tvätta på 60 °C. Använd inte blekmedel eller sköljmedel

Funktioner

Denna apparat har några eller samtliga av följande funktioner.

1. Strömbrytare
2. Autoselect™-ratt
3. Handhållet ångenshetshandtag
4. Påfyllningslock
5. Vattenbehållare
6. Anslutning
7. Låsknapp golvförlängning
8. Golvförlängning
9. Golvrengöringsmunstycke
10. Rengöringsdyna
11. Rengöringsdyna låsfläk
12. Slangfäste
13. Vinkelborste (för användning på svår borttagna fläckar)
14. Borste (för användning på kakel/betong)
15. Rakel (för användning på duschskärmar/glas/speglar/ kläder/möbelyg)
16. Rakelstrumpa

Montering



Varning! Innan du verkställer någon av nedanstående instruktioner ska du kontrollera att apparaten är avstängd, att sladden inte sitter i och att den har svalnat och inte innehåller vatten.

Fästa golvförlängningen till golvrengöringshuvudet (bild A)

- ◆ Skjut fast golvförlängningen (8) in i golvrengöringshuvudet (9) och se till att det klickar fast på plats.

Fäst den handhållna ångenshetens på golvförlängaren (bild B)

- ◆ Tryck fast den handhållna ångensheten på golvförlängningen (8) och se till att den har ordentlig kontakt (6) och klickar säkert på plats.

Varning! Kontrollera packningen mellan anslutningsstället på den handhållna ångrengöraren och golvförlängningen (8) före varje användning.

Om packningen inte fungerar som den ska eller är skadad, ska du kontakta närmaste auktoriserade verkstad. Använd inte apparaten.

Borttagning av den handhållna ångenheten

- ◆ Tryck på låsknappen (7) på golvförlängningen (8) och lyft bort den handhållna ångenheten från fästet (6).

Montera en rengöringsdyna (fig. C)

Rengöringsdynor finns att köpa hos din BLACK+DECKER-återförsäljare (katalognr. FSMP20-XJ).

- ◆ Placera en rengöringsdyna (10) på golvet med korbörresidan uppåt.
- ◆ Tryck försiktigt ned ångmoppen på rengöringsdynan (10).

Varning! Lämna aldrig ångmoppen på samma plats på ytan under längre tid. Förvara alltid ångmoppen med stöd i upprätt läge och se till att ångmoppen är avstängd när den inte används.

Ta bort en rengöringsdyna

Varning! Använd alltid lämpliga skor när du byter rengöringsdyna på ångmoppen.

Använd inte tofflor eller öppna skor.

- ◆ Återför ångmoppen till upprättstående läge och stäng AV ångmoppen.
- ◆ Vänta tills ångmoppen svalnat (ungefär 5 minuter).
- ◆ Lyft bort ångmoppen från rengöringsdynan och frigör den från korbörrefästet genom att belasta rengöringsdynans låsflik (11).

Varning! Lämna aldrig ångmoppen på samma plats på ytan under längre tid.

Förvara alltid ångmoppen med stöd i upprätt läge och se till att ångmoppen är avstängd när den inte används.

Fylla vattentanken (bild D)

Notera! Fyll vattentanken med rent kranvatten (använd inga tillsatser eller kemikalier).

Notera! I områden med hårt vatten rekommenderas det att du använder avjoniserat vatten.

- ◆ Öppna påfyllningslocket (4) genom att fälla upp det.
- ◆ Fyll vattentanken med vatten (använd inga tillsatser eller kemikalier).

Varning! Vid påfyllning, bibehåll en horisontell position.

Varning! Vattenbehållaren rymmer 0,5 liter. Fyll inte på för mycket vatten i vattenbehållaren.

- ◆ Stäng påfyllningslocket (4).

Notera! Kontrollera att påfyllningslocket sitter fast ordentligt.

Användning

Viktigt! Den här apparaten dödar 99,9 % av alla bakterier och baciller om den används enligt anvisningarna i den här manualen, har mikrofiberdynorna monterade och körs kontinuerligt i 90 sekunder.

Slå på och stänga av (bild F)

- ◆ Starta apparaten genom att trycka in strömbrytaren TILL/FRÅN (1). Det tar cirka 15 sekunder för ångmoppen att värmas upp.
- ◆ Stäng av apparaten genom att trycka in strömbrytaren TILL/FRÅN (1).

Varning! Lämna aldrig ångmoppen på samma plats på ytan under längre tid.

Förvara alltid ångmoppen med stöd i upprätt läge och se till att ångmoppen är avstängd när den inte används.




Varning! Töm alltid ångmoppen efter användningen.

Notera! När du fyller på vatten för första gången eller efter det att vattnet har tagit slut kan det ta upp till 45 sekunder innan ånga bildas.

Autoselect™-teknik (bild E)

Den här ångmoppen har en Autoselect™-ratt (2) som visar olika rengöringstillämpningar. De används för att välja rätt arbetsätt anpassat efter vad som ska rengöras.

Med Autoselect™ väljer du en av följande tillämpningar, genom att vrida på Autoselect™-ratten (2) tills önskad inställning har valts.

Inställning	Mopp	Handhållen
	Trä/aminat	Lågt ångflöde ●
	Kakel/vinyl	Medium ångflöde ● ●
	Sten/marmor	Högt ångflöde ● ● ●

Ångmoppen väljer rätt ångmängd anpassat efter vad som ska rengöras.

Notera: Kontrollera alltid att du använder rätt inställning innan du använder ångmoppen.

Montera slangen och tillbehören på den handhållna ångrengöraren

Varning! Kontrollera packningen mellan anslutningsstället på den handhållna ångrengöraren och ångslangen (12) före varje användning. Om packningen inte fungerar som den ska eller är skadad, ska du kontakta närmaste auktoriserade verkstad. Använd inte apparaten.

Montera slangen (bild H)

- ◆ Tryck på ångslangens låsknapp (17) på ångslangen (12).
- ◆ Anslut ångslangen (12) till den handhållna ångrengöraren och släpp upp ångslangens låsknapp (17) samt se till att den klickar in på plats.

Viktigt! Kontrollera att slang (12) är korrekt ansluten till den handhållna ångrengöraren. Om ånga tränger ut ur anslutningen är slang (12) inte korrekt monterad. Stäng av, låt enheten svalna och ta sedan bort och montera tillbaka slang (12).

Varning! Enheten skall stängas av innan slang (12) monteras.

Montera tillbehör (bild I)

- ◆ Passa in klackarna på ångmunstycket (12) mot urspårningarna på tillbehöret.
- ◆ Tryck tillbehöret mot ångmunstycket och vrid moturs tills tillbehöret klickar in på plats.

Viktigt! Alla andra tillbehör måste anslutas till ångslangen (12) för att kunna användas.

Ta bort slang och tillbehör

Varning! Ångslangen (12), ångmunstycket och tillbehören blir heta under användning. Låt enheten och samtliga tillbehör svalna innan du försöker ta bort någonting.

Ta bort ett tillbehör

- ◆ Vrid tillbehöret medurs och dra sedan bort det från slang (12).

Ta bort slang (12)

- ◆ Tryck på ångslangens låsknapp (17) på ångslangen (12) och dra bort den från den handhållna ångrengöraren.

Tips för optimal användning

Allmänt

Se upp: Använd aldrig ångmoppen utan att först montera en rengöringsdyna.

- ◆ Dammsug eller sopa alltid golvet innan du använder ångmoppen.
- ◆ Det enklaste sättet att använda apparaten är att luta enheten 45° och sedan långsamt rengöra en liten yta åt gången.
- ◆ Använd enbart vatten utan tillsatser eller kemikalier till din ångmopp. Om du ska ta bort besvärliga fläckar från vinyl- eller linoleumgolv kan du förbehandla med ett mildt rengöringsmedel innan du använder ångmoppen.

Ångrengöring med moppen

- ◆ Fäst den handhållna ångrengöraren på golvförlängningen (8)
- ◆ Placera en rengöringsdyna (10) på golvet med kardborresidan uppåt.

- ◆ Tryck försiktigt ned ångmoppen på rengöringsdynan (10).
- ◆ Anslut ångmoppen till elnätet.
- ◆ Tryck på strömbrytaren TILL/FRÅN (1). Det tar cirka 15 sekunder för ångmoppen att värmas upp.
- ◆ Vrid på Autoselect™-ratten (2) tills önskad inställning har uppnåtts. Efter några sekunder börjar ånga strömma ut ur ånghuvudet.

Notera! När du fyller på vatten för första gången eller efter det att vattnet har tagit slut kan det ta upp till 45 sekunder innan ånga bildas.

- ◆ Det tar några sekunder för ånga att komma in i rengöringsdynan. Ångmoppen glider nu lätt över ytan som ska saneras/rengöras.
- ◆ Skjut och dra ångmoppen långsamt över golvet för en grundlig ångrengöring av varje sektion.
- ◆ När du har använt ångmoppen färdigt, ställ tillbaka handtaget (8) i upprätt läge, se till att det har stöd och stäng "Av" ångmoppen. Vänta tills ångmoppen har svalnat (ca. fem minuter).

Varning! Det är viktigt att kontrollera vattennivån i vattenbehållaren. Om du vill fylla på vattenbehållaren och fortsätta saneringen/rengöringen ställer du tillbaka handtaget i vertikalt läge, ser till att det har stöd och stänger "Av" ångmoppen. Koppla bort enheten från eluttaget och fyll på vattenbehållaren.

Varning! Lämna aldrig ångmoppen på samma plats på ytan under längre tid. Förvara alltid ångmoppen med stöd i upprätt läge och se till att ångmoppen är avstängd när den inte används.

Efter användning

- ◆ Vrid Autoselect™-ratten (2) till önskad inställning.
- ◆ Vänta tills ångmoppen har svalnat.
- ◆ Koppla bort ångmoppen från eluttaget.
- ◆ Töm vattentanken.
- ◆ ta bort rengöringsdynan (10) och tvätta den så den är klar för nästa användning (var noga med att följa de på rengöringsdynan tryckta tvättråden).

Tillbehör

vilka resultat du får med redskapet beror på vilka tillbehör du använder. Tillbehör från BLACK & DECKER håller hög kvalitet och är konstruerade för att fungera optimalt med redskapet. Med dessa tillbehör får du ut mesta möjliga av din utrustning.

Handhållen ångrengöring

Varning! ! Håll enheten i horisontell position under användning.

- ◆ Montera önskat tillbehör.
- ◆ Anslut den handhållna ångrengöraren till elnätet.
- ◆ Tryck på strömbrytaren TILL/FRÅN (1). Det tar cirka 15 sekunder för ångmoppen att värmas upp.

- ◆ Vrid på Autoselect™-ratten (2) tills önskad inställning har uppnåtts. Efter några sekunder börjar ånga strömma ut ur ånghuvudet.

Notera! När du fyller på vatten för första gången eller efter det att vattnet har tagit slut kan det ta upp till 45 sekunder innan ånga bildas.

- ◆ När du slutat använda den handhållna ångrengöraren ska du vrida Autoselect™-ratten (2) till FRÅN-läget. Stäng AV enheten genom att trycka på strömbrytaren TILL/FRÅN (1) och koppla bort den från elnätet. Vänta tills enheten svalnat innan du ställer undan den (ungefär fem minuter).

Tekniska data

FSMH1300FX		
Spänning	V _{ac}	230
Energi	W	1300
Behållarens kapacitet	ml	500
Vikt	kg	2.4

Felsökning

Om apparaten inte fungerar som den ska följer du instruktionerna nedan. Om problemet kvarstår kontaktar du närmaste BLACK+DECKER-verkstad.

Problem	Steg	Möjlig lösning
Ångmoppen startar inte	1.	Kontrollera att enheten är ansluten till vägguttaget.
	2.	Kontrollera att enheten är påslagen med strömbrytaren (1)
	3.	Kontrollera säkringen i kontakten.
Ångmoppen producerar ingen ånga	4.	Ångmoppen genererar enbart ånga om den handhållna ångrengöraren (5) är korrekt ansluten till moppstommen (11) eller ångslangen har monterats eller Autoselect™ ställts i läge TILL
	5.	Kontrollera att vattentanken är full. Notera: När du fyller på vatten för första gången eller efter det att vattnet har tagit slut kan det ta upp till 45 sekunder innan ånga bildas.
	6.	Kontrollera steg 1, sedan 2, sedan 3
Ångmoppen slutar producera ånga under användningen	7.	Kontrollera steg 4, sedan 5, sedan 3
Ångmoppen producerar för mycket ånga under användningen	8.	Vrid Autoselect™-ratten (2) moturs för att reducera mängden ånga som genereras
Ångmoppen producerar för litet ånga under användningen	9.	Vrid Autoselect™-ratten (2) medurs för att öka mängden ånga som genereras
Var kan jag få ytterligare information/tillbehör	10.	www.blackanddecker.co.uk/steamopp www.blackanddecker.ie/steamopp

Tiltenkt bruk

Your BLACK+DECKER™ FSMH1300FX dampmopper er utformet for å rense og rengjøre gulv med forseglet hardtre, forseglet laminat, linoleum, vinyl, keramiske fliser, stein og marmor og for å friske opp tepper. Produktet er bare beregnet for innendørs bruk i hjemmet.

Sikkerhetsinstruksjoner



Advarsel! Les alle sikkerhetsadvarsler og alle instruksjoner. Hvis advarslene og anvisningene nedenfor ikke overholdes, kan det medføre elektrisk støt, brann og/eller alvorlige personskader.



Advarsel! Når du bruker apparater som drives med strøm fra nettet, må grunnleggende sikkerhetsforholdsregler, inkludert punktene som er beskrevet under, alltid følges for å redusere risikoen for brann, elektrisk støt, personskade og skade på materiell.

- ◆ Beregnet bruk er beskrevet i denne håndboken.
- Hvis du bruker annet tilbehør, kobler til annet utstyr eller bruker dette apparatet til andre oppgaver enn det som er anbefalt i denne håndboken, kan det føre til fare for personskade.
- ◆ Ta vare på denne håndboken for fremtidig bruk.

Bruke produktet

- ◆ Ikke rett damp mot mennesker, dyr, elektriske apparater eller stikkontakter.
- ◆ Ikke utsett verktøyet for regn.
- ◆ Ikke senk produktet ned i vann.

- ◆ Ikke la produktet være uten tilsyn.
- ◆ Ikke la produktet være koblet til en stikkontakt når det ikke er i bruk.
- ◆ Ikke dra i strømledningen når du skal koble produktet fra stikkontakten. Hold ledningen til produktet borte fra varmekilder, olje og skarpe kanter.
- ◆ Ikke håndter damprensjøringsutstyret med våte hender.
- ◆ Ikke trekk eller bær produktet i ledningen, ikke bruk ledningen som håndtak, ikke lukk døren over ledningen, ikke trekk ledningen rundt skarpe hjørner, og ikke utsett ledninger for varme overflater.
- ◆ Ikke bruk produktet i et lukket rom der det er damp fra oljebasert malingstynner, visse møllmidler, antennelig støv eller annen eksplosiv eller giftig damp.
- ◆ Undersøk gulvtypen hos produsenten.
- ◆ Skal ikke brukes på lær, møbler eller gulv polert med voks eller på syntetiske stoffer eller andre sårbare materialer som er følsomme overfor damp.



Advarsel! Må ikke brukes på tre eller laminatgulv som ikke er forseglet. Overflater som er blitt behandlet med voks, og noen gulv uten voks, kan miste glansen på grunn av virkningen av varmen og dampen. Vi anbefaler at du alltid prøver å rengjøre en begrenset del av overflaten før du fortsetter. Vi anbefaler også at du setter deg inn i gulvprodusentens instruksjoner for bruk og vedlikehold.

- ◆ Ha aldri produkter for fjerning av belegg, aromatiske eller alkoholholdige produkter eller vaskemidler i damprensjøringsutstyret, da dette kan skade utstyret eller gjøre det utrygt å bruke.
- ◆ Hvis sikringen hjemme utløses mens du bruker dampfunksjonen, må du slutte å bruke produktet straks og kontakte kundeservice. (Vær klar over risikoen for elektrisk støt.)
- ◆ Utstyret slipper ut svært varm damp for å rense bruksområdet. Dette betyr at dampodet, rengjøringsputene og teppeilbehøret blir svært varme under bruk.

Forsiktig! Bruk alltid egnede sko når du bruker dampmoppen, og når du bytter tilbehør på dampmoppen. Ikke bruk tøfler eller fottøy med åpne tær.

- ◆ Lokket kan bli varmt under bruk.
- ◆ Det kan komme damp ut av produktet under bruk. Vis varsomhet når du bruker produktet. IKKE BERØR deler som kan bli varme under bruk.
- ◆ Slå produktet av, og sett håndtaket i stående stilling før du fjerner vanntanken.
- ◆ Hvis du ser at det kommer damp ut av hoveddelen til den håndholdte dampenheten, skal du slå den av, koble enheten fra nettstrømmen og la den bli avkjølt. Kontakt nærmeste autoriserte serviceverksted. Ikke fortsett å bruke produktet.

Etter bruk

- ◆ Koble produktet fra strømmen, og la det avkjøles før det rengjøres.
- ◆ Når det ikke er i bruk, skal apparatet oppbevares på et tørt sted.
- ◆ Barn skal ikke ha tilgang til maskiner som oppbevares.

Kontroll og reparasjon

- ◆ Koble produktet fra stikkkontakten, og la det avkjøles før du utfører vedlikehold eller reparasjoner.
- ◆ Kontroller at apparatet ikke er skadet eller har defekte deler før du bruker det. Undersøk om brytere eller andre deler er skadet, eller om det er andre forhold som kan påvirke bruken.
- ◆ Kontroller jevnlig om strømledningen er skadet.
- ◆ Ikke bruk apparatet hvis en del er skadet eller defekt.
- ◆ Overlat reparasjon eller utskifting av skadde eller defekte deler til et autorisert serviceverksted.
- ◆ Forsøk aldri å fjerne eller bytte ut andre deler enn delene som er oppgitt i denne håndboken.

Andre personers sikkerhet

- ◆ Dette apparatet kan brukes av barn som er 8 år eller eldre samt av personer som har reduserte fysiske, sansemessige eller mentale evner, eller som mangler erfaring og kunnskap, hvis de har tilsyn eller har fått veiledning i bruk av apparatet på en trygg måte og forstår farene som foreligger. Barn skal ikke leke med apparatet.

Rengjøring og brukervedlikehold skal ikke utføres av barn uten tilsyn.

- ◆ Barn må holdes under oppsyn, sørg for at de ikke leker med apparatet.

Restrisikoer

Når verktøyet brukes, kan det oppstå ytterligere risikoer som kanskje ikke er beskrevet i de medfølgende sikkerhetsadvarslene. Disse risikoene kan bli forårsaket av feil bruk, langvarig bruk osv.

Selv om de relevante sikkerhetsbestemmelsene blir fulgt, og sikkerhetstiltakene blir gjennomført, kan visse gjenværende risikoer ikke unngås. Disse inkluderer:

- ◆ Personskader som forårsakes av berøring av bevegelige deler.
- ◆ Personskader som forårsakes av berøring av varme deler.
- ◆ Personskader som forårsakes av at deler eller tilbehør byttes.
- ◆ Personskader som forårsakes av langvarig bruk av produktet. Når du bruker et produkt i lange perioder, må du sørge for å ta regelmessige pauser.

Elektrisk sikkerhet



Advarsel! Dette produktet må jordes. Kontroller alltid at strømforsyningen samsvarer med spenningen på merkeskiltet.

Støpselet må passe i stikkkontakten. Aldri modifier støpselet på noen måte.

Umodifiserte støpsler og stikkontakter som passer vil redusere risikoen for elektrisk sjokk.

- ◆ Hvis strømledningen blir skadet, må den byttes av produsenten eller et autorisert BLACK+DECKER-servicesenter for å unngå fare.

Skjøteledninger og klasse 1-produkt

- ◆ Det må brukes kabel med A 3-kjerne, ettersom apparatet er jordet og en konstruksjon i klasse 1.
- ◆ Avstanden kan være 30 m (100 ft) uten tap av effekt

Produktmerking

De følgende symbolene sammen med datokode vises på apparatet.



FORSIKTIG Varm damp



Ikke la den være uten tilsyn med små barn til stede



Vask ved 60°C. Ikke bruk blekemiddel eller tøymykner

Funksjoner

Dette apparatet har noen av eller alle funksjonene nedenfor.

1. På-/av-bryter
2. Autoselect™-skive
3. Håndtak, håndholdt dampvasker
4. Påfyllingslokk
5. Vanntank
6. Kontaktflate
7. Gulvforlengerens utløserknapp
8. Gulvforlenger
9. Gulvmunnstykke
10. Rengjøringspute
11. Tapp for fjerning av rengjøringspute
12. Ekstra slangefeste
13. Ekstra vinkelbørste (for bruk på hardnakkede flekker)
14. Ekstra børste (for bruk på fliser/støp)

15. Ekstra nal (for bruk på dusjkabinetter/glass/vinduer/speil/klær/møbeltrekk)

16. Nalstrømpe

Montering



Advarsel! Før du utfører noen av fremgangsmåtene nedenfor, må du sikre at produktet er slått av, at støpselet er trukket ut, og at produktet er avkjølt og ikke inneholder vann.

Feste gulvforlengeren til gulvmunnstykket (Figur A)

- ◆ Skyv gulvforlengeren (8) godt inn i gulvmunnstykket (9), og pass på at den klikker ordentlig på plass.

Feste den håndholdte dampvaskeren til gulvforlengeren (Figur B)

- ◆ Skyv den håndholdte dampvaskeren godt inn i gulvmunnstykket (8), og pass på at den er riktig plassert over kontaktflaten (6) og klikker ordentlig på plass.

Advarsel! Inspiser pakningen mellom koblingspunktet på den håndholdte dampvaskeren og gulvforlengeren (8) før hver bruk. Hvis pakningen mangler eller er skadet, må du kontakte nærmeste autoriserte serviceverksted. Ikke bruk produktet.

Ta av den håndholdte dampvaskeren

- ◆ Trykk på utløserknappen (7) på gulvforlengeren (8) og løft opp den håndholdte dampvaskeren fra kontaktflaten (6).

Sette på en rengjøringspute (Figur C)

Ekstra rengjøringsputer får du hos din BLACK+DECKER-forhandler (artikkelnummer FSMP20-XJ).

- ◆ Plasser en rengjøringspute (10) på gulvet med festesiden av borrelåsen opp.
- ◆ Trykk dampmoppen forsiktig ned på rengjøringsputen (10).

Forsiktig! La aldri dampmoppen være på ett sted noen tid. Plasser alltid dampmoppen i stående stilling når den er i ro, og pass på at dampmoppen er slått av når den ikke er i bruk.

Fjerne en rengjøringspute

Forsiktig! Bruk alltid egnede sko når du bytter rengjøringspute på dampmoppen.

Ikke bruk tøfler eller fotteøy med åpne tær.

- ◆ Sett dampmoppen i stående stilling igjen, og slå dampmoppen av.
- ◆ Vent til dampenheten er avkjølt før du setter den til oppbevaring (omtrent 5 minutter).
- ◆ Løft dampmoppen bort fra rengjøringsputen og frigjør den fra borrelåsfestet ved å trykke ned tappen for fjerning av rengjøringsputen (11).

Forsiktig! La aldri dampmoppen være på ett sted noen tid. Plasser alltid dampmoppen i stående stilling når den er i ro, og pass på at dampmoppen er slått av når den ikke er i bruk.

Fylle vanntanken (Figur D)

Merk! Fyll vanntanken med rent vann fra kranen (ikke bruk tilsetninger eller kjemikalier).

Merk! I områder med hardt vann anbefales bruk av avionisert vann.

- ◆ Åpne påfyllingslokket (4) ved å vippe det ned.
- ◆ Fyll vanntanken med rent vann fra kranen (ikke bruk tilsetninger eller kjemikalier).

Advarsel! Hold apparatet vannrett når du fyller på vann.

Advarsel! Vanntanken tar 0,5 liter. Ikke fyll for mye på tanken.

- ◆ Sett på fyllingslokket (4) igjen.

Merk! Pass på at påfyllingslokket er satt på riktig.

Bruk

Viktig! Denne enheten dreper 99,9 % av mikrober inkludert bakterier når den brukes i samsvar med denne håndboken, mikrofiberputen er satt på, og enheten brukes kontinuerlig i 90 sekunder.

Slå på og av (Figur F)

- ◆ Når du skal slå apparatet på, trykker du på AV/PÅ-bryteren (1). Det tar ca. 15 sekunder til dampmoppen er oppvarmet.
- ◆ Når du skal slå apparatet på, trykker du på AV/PÅ-bryteren (1).

Forsiktig! La aldri dampmoppen være på ett sted noen tid.

Plasser alltid dampmoppen i stående stilling når den er i ro, og pass på at dampmoppen er slått av når den ikke er i bruk.




Forsiktig! Tøm alltid dampmoppen etter bruk.

Merk! Ved første fylling eller etter at den har gått tom, kan det ta opptil 45 sekunder før det lages damp.

Autoselect™-teknologi (Figur E)

Denne dampmoppen har en Autoselect™-skive (2) som viser ulike rengjøringsanvendelser. De brukes til å velge riktig innstilling for den bestemte rengjøringsoppgaven.

Med Autoselect™ kan du velge mellom bruksområdene nedenfor ved å vri på Autoselect™-skiven (2) til den ønskede innstillingen er oppnådd.

Innstilling	Mopp	Håndholdt
	Tre/laminat	Lav dampstrøm ●
	Fliser/vinyl	Middels dampstrøm ● ●
	Stein/marmor	Høy dampstrøm ● ● ●

Dampmoppen vil velge riktig dampvolum for den bestemte rengjøringsoppgaven.

Merk: Kontroller alltid at du bruker riktig innstilling før du bruker dampmoppen.

Sette slange og tilbehør på den håndholdte dampvaskeren

Advarsel! Inspiser pakningen mellom koblingspunktet på den håndholdte dampvaskeren og dampslangen (12) før hver bruk. Hvis pakningen mangler eller er skadet, må du kontakte nærmeste autoriserte serviceverksted. Ikke bruk produktet.

Sette på slangen (figur H)

- ◆ Trykk på dampslangens låseknap (17) på dampslangen (12).
- ◆ Koble dampslangen (12) til den håndholdte dampvaskeren og løsne låseknapen på dampslangen (17). Pass på at den klikker på plass.

Viktig! Sørg for at slangen (12) er sikkert festet før du bruker den håndholdte dampenheten. Dersom det kommer damp ut ved åpningen, er ikke slangen korrekt festet. Slå enheten av, og la den avkjøles før du tar av og setter på igjen slangen.

Advarsel! Apparatet skal være slått av før slangen settes på.

Sette på tilbehør (Figur I)

- ◆ Plasser tappene på slangen (12) mot sporene i tilbehøret.
- ◆ Trykk tilbehøret inn på slangen, og vri mot klokken til tilbehøret klikker på plass.

Viktig! Alt tilbehør må festes på dampslangen (12) for bruk.

Ta av slange og tilbehør

Advarsel! Dampslangen (12), dampdysen og tilbehøret blir varme ved bruk. La enheten og alt tilbehør avkjøles før du tar av tilbehør.

Ta av tilbehør

- ◆ Drei tilbehøret med klokken, og trekk det deretter bort fra slangen (12).

Ta av slangen

- ◆ Trykk låseknapen (17) på dampslangen (12) og trekk den ut fra den håndholdte dampvaskeren.

Råd for optimal bruk

Generelt

Forsiktig! Bruk aldri dampmoppen uten å sette på rengjøringsputen først.

- ◆ Du må alltid støvsuge eller feie gulvet før du bruker dampmoppen.
- ◆ Den enkleste måten å bruke produktet på er å la apparatet helle 45° og gjøre rent langsomt – et lite område om gangen.

- ◆ Bruk kun vann uten tilsetninger eller kjemikalier med dampmoppen. Når du skal fjerne vanskelige flekker fra vinyl- eller linoleumsgulv, kan du forbehandle det med et mildt rengjøringsmiddel og litt vann før du bruker dampmoppen.

Damprengjøring med moppen

- ◆ Fest den håndholdte dampenheten til gulvforlengeren (8)
- ◆ Plasser en rengjøringspute (10) på gulvet med festesiden av borrelåsen opp.
- ◆ Trykk dampmoppen forsiktig ned på rengjøringsputen (10).
- ◆ Sett støpselet til dampmoppen i stikkkontakten.
- ◆ Trykk på AV/PÅ-knappen (1). Det tar ca. 15 sekunder til dampmoppen er oppvarmet.
- ◆ Drei Autoselect™-skiven (2) til ønsket innstilling. Etter noen få sekunder begynner det å komme damp ut av damphodet.

Merk! Ved første fylling eller etter at den har gått tom, kan det ta opptil 45 sekunder før det lages damp.

- ◆ Det tar noen få sekunder før dampen kommer inn i rengjøringsputen. Dampmoppen blir nå lett over overflaten som skal renses/rengjøres.
- ◆ Skyv og trekk dampmoppen langsomt over gulvet for å rengjøre alle deler grundig med dampen.
- ◆ Når du er ferdig med å bruke dampmoppen, sett håndtaket (8) rett opp, pass på at den står stødig og slå den AV. Vent til dampmoppen er avkjølt (omtrent 5 minutter).

Forsiktig! Det er viktig å holde øye med vannivået i vanntanken. Når du skal fylle på vanntanken og fortsette å rens/rengjøre, setter du dampmoppen i stående stilling og slår den AV. Trekk støpselet ut av stikkkontakten, og fyll vanntanken igjen.

Forsiktig! La aldri dampmoppen være på ett sted noen tid. Plasser alltid dampmoppen i stående stilling når den er i ro, og pass på at dampmoppen er slått av når den ikke er i bruk.

Etter bruk

- ◆ Drei Autoselect™-skiven (2) til AV-posisjon.
- ◆ Vent til dampmoppen er avkjølt.
- ◆ Ta støpselet til dampmoppen ut av stikkkontakten.
- ◆ Tøm vanntanken.
- ◆ Ta av rengjøringsputen (10), vask den så den er klar for neste bruk (pass på å følge vaskeanvisningen som er trykket på rengjøringsputen).

Tilbehør

Produktets ytelse avhenger av tilbehøret du bruker. Tilbehør fra BLACK & DECKER er produsert etter høye kvalitetsstandarder og er konstruert for å bedre produktets ytelse. Hvis du bruker dette tilbehøret, får du mest mulig ut av utstyret ditt.

Rengjøring med håndholdt enhet

Advarsel! Hold apparatet i horisontal stilling under bruk.

- ◆ Sett på ønsket tilbehør.
- ◆ Koble den håndholdte dampenheten til strømmen.
- ◆ Trykk på AV/PÅ-knappen (1). Det tar ca. 15 sekunder til dampmoppen er oppvarmet.
- ◆ Drei Autoselect™-skiven (2) til ønsket innstilling. Etter noen få sekunder begynner det å komme damp ut av damphodet.

Merk! Ved første fylling eller etter at den har gått tom, kan det ta opptil 45 sekunder før det lages damp.

- ◆ Når du er ferdig å bruke den håndholdte dampvaskeren, sett Autoselect™-skiven (2) til AV. Slå AV enheten ved å trykke på AV/PÅ-knappen (1) og koble fra strømmen. Vent til enheten kjøler seg ned før du setter den vekk (omtrent fem minutter).

Tekniske data

FSMH1300FX		
Spenning	V _{ac}	230
På/av	W	1300
Tankkapasitet	ml	500
Vekt	kg	2,4

Feilsøking

Hvis apparatet ikke fungerer som det skal, følger du instruksjonene nedenfor. Hvis problemet ikke løses, kontakter du ditt lokale BLACK+DECKER-serviceverksted.

Problem	Trinn	Mulig løsning
Dampmoppen slår seg ikke på	1.	Kontroller at enheten er koblet til stikkkontakten.
	2.	Kontroller at enheten er slått på med PÅ/AV knappen (1)
	3.	Kontroller sikringen i støpselet.
Dampmoppen produserer ikke damp	4.	Dampmoppen vil bare produsere damp dersom dampvotten (5) festet korrekt til hoveddelen (11) og dampslangen er koblet til Autoselect™ og slått på
	5.	Kontroller at vanntanken er full. Merk: Ved første fylling eller etter at den har gått tom, kan det ta opptil 45 sekunder før det lages damp.
	6.	Kontroller trinn 1, så 2 og deretter 3
Dampmoppen stopper å lage damp under bruk	7.	Kontroller trinn 4, så 5 og deretter 3
Dampmoppen lager for lite damp under bruk	8.	Drei Autoselect™-skiven (2) mot klokken for å redusere mengden damp som produseres
Dampmoppen lager for lite damp under bruk	9.	Drei Autoselect™-skiven (2) med klokken for å øke mengden damp som produseres
Hvor kan jeg finne mer informasjon/tilbehør	10.	www.blackanddecker.co.uk/steammp www.blackanddecker.co.uk/steammp

Tilsigtet brug

Din BLACK+DECKER™ FSMH1300FX dampmoppe er beregnet til rensning og rengøring af forseglede hårdtræ, forseglede laminat, linoleum, vinyl, keramikfliser, sten- og marmorgulve. Apparatet er kun beregnet til indendørs brug i husholdninger.

Sikkerhedsinstruktioner



Advarsel! Læs alle sikkerhedsadvarsler og alle instruktioner. Hvis efterfølgende advarsler og instruktioner ikke følges, er der risiko for elektrisk stød, brand og alvorlige kvæstelser.



Advarsel! Ved brug af apparater, der strømforsynes fra forsyningsnettet, er det vigtigt, at grundlæggende sikkerhedsforholdsregler, herunder bl.a. nedenstående, altid følges for at mindske risikoen for brand, elektrisk stød, personskade og tingskade.

- ♦ Den tilsigtede brug er beskrevet i denne vejledning. Brugen af ekstraudstyr eller tilbehør eller udførelse af andet arbejde med dette apparat end det, der anbefales i denne vejledning, kan udgøre en fare for kvæstelser.
- ♦ Opbevar denne vejledning til senere brug.

Brug af apparatet

- ♦ Ret aldrig dampen mod mennesker, dyr, elektriske apparater eller strømudgange.
- ♦ Udsæt det ikke for regn.

- ♦ Apparatet må ikke nedsænkes i vand.
- ♦ Efterlad ikke apparatet uden opsyn.
- ♦ Træk altid stikket ud af stikkontakten, når apparatet ikke er i brug.
- ♦ Træk aldrig i strømledningen for at afbryde apparatet fra stikkontakten. Beskyt apparatets ledning imod varmepåvirkninger, olie og skarpe kanter.
- ♦ Brug ikke damprenseren med våde hænder.
- ♦ Træk eller løft ikke apparatet i ledningen, brug ikke ledningen som håndtag, lad ikke ledningen komme i klemme i en dør, træk ikke ledningen om skarpe kanter og lad ikke ledningen komme i berøring med varme flader.
- ♦ Brug ikke apparatet i lukkede rum fyldt med dampe fra oliebaseret malingsfortynder, mølmidler, brændbart støv eller eksplosive eller giftige dampe.
- ♦ Spørg om din gulvtype hos din forhandler.
- ♦ Apparatet må ikke bruges til læder, voksbehandlede møbler eller gulve, syntetiske stoffer, fløjel eller andre fine, dampfølsomme materialer.



Advarsel! Brug ikke apparatet på ubehandlede trægulve eller ubehandlede laminatgulve. På voksbehandlede overflader og nogle gulve uden voks kan varmen og dampen bevirke, at glansen forsvinder. Det anbefales altid først at prøve apparatet på et lille skjult stykke af den overflade, der skal rengøres.

Vi anbefaler også, at man kontrollerer gulvproducentens brugs- og vedligeholdelsesvejledninger.

- ◆ Fyld aldrig kalkstensfjerner, aromatiske eller alkoholbaserede produkter eller rensesubstanter i damprensere, da det kan ødelægge den eller gøre den farlig at bruge.
- ◆ Hvis boligens fejlstrømsafbryder kobler ud under brugen af dampfunktionen, skal man straks ophøre med at bruge apparatet og kontakte kundeservicecentret. (Vær opmærksom på risikoen for elektrisk stød.)
- ◆ Apparatet udsender meget varm damp for at rense anvendelsesområdet. Det betyder, at dampovedet, moppekludene og tæppetilbehøret bliver meget varme ved brug.

Forsigtig! Benyt altid egnet fodtøj, når du bruger dampmoppen, og når du skifter tilbehør på dampmoppen. Brug ikke hjemmesko eller åbne sko.

- ◆ Låget kan blive varmt ved brug.
- ◆ Der kan strømme damp ud fra apparatet ved brug.
Vær meget forsigtig ved brug af apparatet. RØR IKKE ved dele, der kan blive varme ved brug.
- ◆ Sluk apparatet, og stil håndtaget tilbage i lodret stilling, før du fjerner vandbeholderen.
- ◆ Hvis der registreres dampudslip fra den håndholdte damprenseres kabinet, slukkes enheden, ledningen tages ud af stikkontakten, og enheden køler af.

Kontakt det nærmeste autoriserede serviceværksted. Apparatet må ikke længere anvendes.

Efter brug

- ◆ Tag apparatet ud af stikkontakten, og lad det køle af, før det rengøres.
- ◆ Opbevar apparatet på et tørt sted, når det ikke er i brug.
- ◆ Opbevar apparater utilgængeligt for børn.

Eftersyn og reparationer

- ◆ Tag apparatet ud af stikkontakten og lad det køle af, før der udføres vedligeholdelse eller reparation.
- ◆ Før brug skal apparatet kontrolleres for beskadigede eller defekte dele. Se efter knækkede dele, skader på kontakter og eventuelle andre tilstande, der kan påvirke apparatets funktion.
- ◆ Kontroller regelmæssigt strømledningen for skader.
- ◆ Brug ikke apparatet med beskadigede eller defekte dele.
- ◆ Sørg for at få beskadigede eller defekte dele repareret eller udskiftet på et autoriseret værksted.
- ◆ Forsøg aldrig at fjerne eller udskifte dele ud over dem, der er beskrevet i denne vejledning.

Andres sikkerhed

- ◆ Dette apparat kan bruges af børn i en alder fra 8 år og derover og personer med nedsatte fysiske, sensoriske eller mentale evner eller manglende erfaring og viden, hvis

det sker under overvågning, eller de vejledes i brugen af apparatet på en sikker måde, og de forstår de farer, som er forbundet dermed. Børn må ikke lege med apparatet. Rengøring og brugervedligeholdelse må ikke foretages af børn uden opsyn.

- ◆ Børn skal holdes under opsyn, så det sikres, at de ikke leger med værktøjet.

Tilbageværende risici

Der kan opstå yderligere, tilbageværende risici under brugen af apparatet, som muligvis ikke behandles i de vedlagte sikkerhedsadvarsler. Disse risici kan opstå pga. forkert anvendelse, langvarig brug etc.

Selv ved overholdelse af relevante sikkerhedsforskrifter og anvendelse af sikkerhedsudstyr kan visse resterende risici ikke undgås. Disse omfatter:

- ◆ Tilskadekomst forårsaget af berøring af bevægelige dele.
- ◆ Tilskadekomst forårsaget af berøring af varme dele.
- ◆ Tilskadekomst forårsaget af udskiftning af dele eller tilbehør.
- ◆ Tilskadekomst forårsaget af langvarig brug af apparatet. Husk at holde pause jævnlige ved brug af et apparat i længere tid.

Elektricitet og sikkerhed



Advarsel! Dette produkt skal jordforbindes. Kontrollér altid, at strømforsyningen svarer til spændingen på mærkepladen.

Elektriske stik skal passe til stikkontakten. Stikket må aldrig modificeres på nogen måde. Umodificerede stik og dertil passende stikkontakter reducerer risikoen for elektrisk stød.

- ◆ Hvis netledningen beskadiges, skal den udskiftes af producenten eller et autoriseret BLACK+DECKER-værksted, så farlige situationer undgås.

Forlængerledninger og klasse 1-produkt

- ◆ Der skal anvendes et 3-lederkabel, da dette apparat er jordforbundet og klassificeret som klasse 1.
- ◆ Der kan anvendes op til 30 m uden effekttab

Mærkater på apparatet

Følgende piktogrammer vises på værktøjet sammen med datokoder.



FORSIGTIG Varm damp



Må ikke efterlades uden opsyn med mindre børn



Vask ved 60°C. Brug ikke blegemiddel eller skyllemiddel

Funktioner

Dette apparat leveres med nogle af eller alle de følgende komponenter.

1. Tænd/sluk-kontakt
2. Autoselect™-skive
3. Håndholdt dampenhedshåndtag
4. Hætte
5. Vandbeholder
6. Grænseflade
7. Udløserknap til udvidelse af gulv
8. Udvidelse af gulv
9. Gulvrengøringsmundstykke
10. Moppeklud

11. Strop til fjernelse af moppeklud
12. Fastgøringslange som tilbehør
13. Vinkelbørstetilbehør (til brug på genstridige pletter)
14. Børstetilbehør (til brug på fliser/fugemasse)
15. Vinduesskrabertilbehør (til brug på bruseskærme/glas/spejle/tøj/betræk)
16. Vinduesskrabersok

Samling



Advarsel! Sørg for, at apparatet er afbrudt, at stikket er taget ud, og at apparatet er koldt og ikke indeholder vand, inden nogle af de følgende instruktioner udføres.

Påsætning af udvidelse af gulv på gulvrenøringsmundstykket (fig. A)

- ◆ Skub udvidelsen af gulv (8) godt ind i gulvrenøringsmundstykket (9), mens du sørger for, at den klikker godt på plads.

Påsætning af den håndholdte dampenhed på udvidelsen af gulv (fig. B)

- ◆ Skub den håndholdte dampenhed godt fast på udvidelsen af gulv (8), mens du sørger for, at den sidder korrekt over grænsefladen (6) og klikker godt på plads.

Advarsel! Inspicer forseglingen mellem forbindelsespunktet på den håndholdte damprenser og udvidelsen af gulv (8) inden hver brug. Hvis forseglingen har en defekt eller er beskadiget, kontaktes det nærmeste autoriserede serviceværksted. Apparatet må ikke bruges.

Aftagning af den håndholdte dampenhed

- ◆ Skub udløserknappen (7) på udvidelsen af gulv (8), og løft den håndholdte dampenhed væk fra grænsefladen (6).

Påsætning af moppeklud (fig. C)

Nye moppeklude fås hos din BLACK+DECKER forhandler: (kat nr. FSMP20-XJ).

- ◆ Læg moppekluden (10) på gulvet med velcro-siden opad.
- ◆ Pres dampmoppen let ned på moppekluden (10).

Forsigtig! Lad aldrig dampmoppen blive stående på et sted på nogen form for overflade. Stil altid dampmoppen understøttet i lodret stilling, når den står stille og sørg for, at dampmoppen er slukket, når den ikke er i brug.

Aftagning af moppeklud

Forsigtig! Benyt altid egnet fodtøj, når du skifter moppeklud på din dampmoppe.

Brug ikke hjemmesko eller åbne sko.

- ◆ Sæt dampmoppen tilbage i lodret position, og sæt dampmoppen på 'OFF'.
- ◆ Vent, til at dampmoppen er afkølet, før den sættes væk (ca. 5 minutter).

- ◆ Løft dampmoppen væk fra moppekluden, idet du løsner den fra velcrofastgørelsen ved at lægge vægt på stroppen til fjernelse af moppeklud (11).

Forsigtig! Lad aldrig dampmoppen blive stående på et sted på nogen form for overflade.

Stil altid dampmoppen understøttet i lodret stilling, når den står stille og sørg for, at dampmoppen er slukket, når den ikke er i brug.

Påfyldning af vandbeholderen (fig. D)

Bemærk! Fyld vandbeholderen med rent vand fra hanen (Brug ikke tilsætningsstoffer eller kemikalier).

Bemærk! I områder med hårdt vand anbefales det at anvende deioniseret vand.

- ◆ Åbn hættten (4) ved at vippe den op.
- ◆ Fyld vandbeholderen med (Brug ikke tilsætningsstoffer eller kemikalier).

Advarsel! Hold den i vandret position under påfyldning.

Advarsel! Vandbeholderen rummer 0.5 liter. Overfyld ikke beholderen.

- ◆ Luk hættten (4).

Bemærk! Sørg for, at hættten er sat forsvarligt på.

Anvendelse

Vigtigt! Denne enhed dræber 99.9 % af bakterier og mikroorganismer, når den anvendes i overensstemmelse med instruktionerne i denne vejledning og med mikrofiberkludene monteret og en vedvarende brugstid på 90 sekunder.

Tænd og sluk (fig. F)

- ◆ Tænd for apparatet ved at trykke på tænd/sluk-kontakten (1). Det tager ca. 15 sekunder for dampmoppen at varme op.
- ◆ Sluk for apparatet ved at trykke på tænd/sluk-kontakten (1).

Forsigtig! Lad aldrig dampmoppen blive stående på et sted på nogen form for overflade.

Stil altid dampmoppen understøttet i lodret stilling, når den står stille og sørg for, at dampmoppen er slukket, når den ikke er i brug.

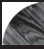


Forsigtig! Tøm altid dampmoppen efter brug.

Bemærk! Når der påfyldes første gang, eller hvis der har været kørt tør, kan det tage op til 45 sekunder, før der frembringes damp.

Autoselect™-teknologi (fig. E)

Denne dampmoppe er udstyret med en Autoselect™-vælger (2), som viser forskellige rengøringsindstillinger. Disse bruges til at vælge den rigtige indstilling for det aktuelle rengøringsarbejde.

Vælg et af følgende anvendelsesområder med Autoselect™ ved at dreje vælgeren Autoselect™ (2), indtil den ønskede indstilling er valgt.

Indstilling	Moppe	Håndholdt
	Træ/laminat	Lav dampflow ●
	Fliser/vinyl	Middel dampflow ● ●
	Sten/marmor	Høj dampflow ● ● ●

Dampmoppen indstiller den rigtige dampmængde til det aktuelle rengøringsarbejde.

Bemærk: Kontroller altid, at du bruger den korrekte indstilling, inden du bruger dampmoppen.

Montering af slangen og tilbehøret på den håndholdte damprenser

Advarsel! Inspicer forseglingen mellem forbindelsespunktet på den håndholdte damprenser og dampslangen (12) inden hver brug. Hvis forseglingen har en defekt eller er beskadiget, kontaktes det nærmeste autoriserede serviceværksted. Apparatet må ikke bruges.

Montering af slangen (fig. H)

- Tryk på udløserknappen til dampslangen (17) på dampslangen (12).
- Slut dampslangen (12) til den håndholdte damprenser, og udløs udløserknappen til dampslangen (17), mens du venter, at den klikker på plads.

Vigtigt! Sørg for, at dampslangen (12) er sluttet korrekt til den håndholdte damprenser. Hvis der kommer damp ud fra sammenslutningen, er slangen sat forkert på. Sluk enheden, lad den køle af, og genmonter slangen.

Advarsel! Enheden bør slukkes, inden slangen monteres.

Montering af tilbehør (fig. I)

- Ret monteringsstederne på dampdysen (12) ind efter fordybningerne på tilbehøret.
- Tryk tilbehøret på dampdysen, og drej imod uret, indtil tilbehøret klikker på plads.

Vigtigt! Alt tilbehør skal fastgøres til dampslangen (12) ved brug.

Afmontering af slangen

Advarsel! Dampslangen (12), dampdysen og tilbehør bliver varme under brug. Lad enheden og alt tilbehør køle af, før det forsøges fjernet.

Afmontering af tilbehør

- Drej tilbehøret med uret, og træk det derefter væk fra slangen (12).

Afmontering af slangen

- Tryk på udløserknappen til dampslangen (17) på dampslangen (12), og træk den væk fra den håndholdte dampenhed.

Gode råd til optimal brug

Generelt

Forsigtig: Brug aldrig dampmoppen uden moppeklud.

- Støvsug eller fej altid gulvet, før du bruger dampmoppen.
- Den letteste måde at bruge apparatet på er at holde enheden i en 45° vinkel og rengøre et lille område ad gangen med langsomme bevægelser.
- Brug kun vand uden tilsætningsstoffer eller kemikalier med din dampmoppe. Hårdnakkede pletter på vinyl- eller linoleumsgulve kan forbehandles med et mildt rensmiddel og vand, før du bruger dampmoppen.

Damprengøring med moppen

- Sæt den håndholdte damprenser på udvidelsen af gulv (8)
- Læg moppekluden (10) på gulvet med velcro-siden opad.
- Pres dampmoppen let ned på moppekluden (10).
- Tilslut dampmoppen til ledningsnettet.
- Tryk på tænd/sluk-knappen (1). Det tager ca. 15 sekunder for dampmoppen at varme op.
- Drej Autosselect™-knappen (2), indtil den ønskede indstilling nås. Efter få sekunder begynder der at komme damp ud af damphovedet.

Bemærk! Når der påfyldes første gang, eller hvis der har været kørt tør, kan det tage op til 45 sekunder, før der frembringes damp.

- Det tager nogle få sekunder for dampen at komme ind i moppekluden. Dampmoppen glider nu let hen over den overflade, der skal renses/rengøres.
- Skub og træk dampmoppen langsomt hen over overfladen for at gøre hvert enkelt afsnit grundigt rent med dampen.
- Når du er færdig med at bruge dampmoppen, drej håndtaget (8) til oprejst position og kontroller, at den er understøttet, før du slår den 'OFF'. Vent, til at dampmoppen er afkølet, før den sættes væk (ca. fem minutter).

Forsigtig! Det er vigtigt at holde øje med vandstanden i vandbeholderen. For at fylde vand i vandbeholderen og fortsætte med rensningen/rengøringen skal du kontrollere, at den er understøttet, før du slår dampmoppen fra med off-knappen. Træk stikket ud af stikkontakten i væggen, og fyld vandbeholderen.

Forsigtig! Lad aldrig dampmoppen blive stående på et sted på nogen form for overflade. Stil altid dampmoppen understøttet i lodret stilling, når den står stille og sørg for, at dampmoppen er slukket, når den ikke er i brug.

Efter brug

- ◆ Drej Autoselect™-vælgeren (2) til OFF-positionen.
- ◆ Vent indtil dampmoppen er afkølet.
- ◆ Træk stikket til dampmoppen ud af stikkontakten i væggen.
- ◆ Tøm vandbeholderen.
- ◆ Tag moppekluden (10) af, og vask den, så den er klar til næste brug (sørg for at følge vaskeanvisningerne trykt på moppekluden).

Tilbehør

Apparatets ydeevne afhænger af det anvendte tilbehør. Tilbehør fra BLACK+DECKER er fremstillet efter høje kvalitetsstandarder og er designet til at forbedre apparatets ydeevne. Når du bruger dette tilbehør, vil udstyret yde optimalt.

Håndholdt damprensning

Advarsel! Hold enheden i en vandret position under brug.

- ◆ Monter det ønskede tilbehør.
- ◆ Tilslut den håndholdte damprenser til ledningsnettet.
- ◆ Tryk på tænd/sluk-knappen (1). Det tager ca. 15 sekunder for dampmoppen at varme op.
- ◆ Drej Autoselect™-knappen (2), indtil den ønskede indstilling nås. Efter få sekunder begynder der at komme damp ud af damphovedet.

Bemærk! Når der påfyldes første gang, eller hvis der har været kørt tør, kan det tage op til 45 sekunder, før der frembringes damp.

- ◆ Når du er færdig med at bruge den håndholdte damprenser, skal du sætte vælgeren Autoselect™ (2) i OFF-positionen. Sæt enheden på OFF ved at trykke på tænd/sluk-knappen (1) og koble den fra netforsyningen. Vent, til enheden køler ned, inden du opbevarer den (ca. fem minutter).

Tekniske data

FSMH1300FX		
Spænding	V _{ac}	230
El-	W	1300
Tankkapacitet	ml	500
Vægt	kg	2.4

Problemløsning

Følg vejledningen nedenfor, hvis apparatet ikke synes at fungere korrekt. Hvis dette ikke løser problemet, bedes du kontakte det lokale BLACK+DECKER-værksted.

Problem	Trin	Mulig løsning
Dampmoppen starter ikke	1.	Kontroller at enheden er tilsluttet til vægkontakten.
	2.	Kontroller at enheden er slået til ved hjælp af ON/OFF kontakten (1)
	3.	Kontroller sikringen i stikket.
Dampmoppen producerer ingen damp	4.	Dampmoppen producerer kun damp, hvis den håndholdte damprenser (5) sidder korrekt i hoveddelen (11), eller dampslangen er monteret, eller Autoselect™ står på ON
	5.	Kontroller, at vandbeholderen er fuld. Bemærk: Når der påfyldes første gang, eller hvis den har været kørt tør, kan det tage op til 45 sekunder, før der frembringes damp.
	6.	Kontroller trin 1, derefter 2, derefter 3
Dampmoppen stopper med at producere damp under brug	7.	Kontroller trin 4, derefter 5, derefter 3
Dampmoppen producerer for meget damp under brug	8.	Drej vælgeren Autoselect™ (2) mod uret for at reducere den mængde damp, der produceres
Dampmoppen producerer for lidt damp under brug	9.	Drej vælgeren Autoselect™ (2) med uret for at øge den mængde damp, der produceres
Hvor kan jeg få yderligere oplysninger/tilbehør	10.	www.blackanddecker.co.uk/steammop www.blackanddecker.ie/steammop

(Alkuperäisten ohjeiden kaännös)

SUOMI

Käyttötarkoitus

BLACK+DECKER™ FSMH1300FX höyrymoppi on tarkoitettu tiivistettyjen puu- ja laminaatti-, linoleumi-, vinyyli-, keramiikkalaatta-, kivi- ja marmorilattioiden puhdistamiseen ja desinfiointiin. Laite on tarkoitettu ainoastaan sisätiloissa tapahtuvaan kotitalouskäyttöön.

Turvaohjeet



Varoitus! Lue kaikki turvallisuusvaroitukset ja ohjeet. Alla olevien varoitusten ja ohjeiden noudattamisen laiminlyönti saattaa johtaa sähköiskuun, tulipalloon ja/tai vakavaan loukkaantumiseen.



Varoitus! Sähkölaitteita käytettäessä on aina noudatettava asianmukaisia turvaohjeita, jotta tulipalojen, sähköiskujen, henkilövahinkojen ja materiaalivaurioiden riski olisi mahdollisimman pieni.

- ◆ Käyttötarkoitus kuvataan ohjeissa. Muiden kuin ohjeissa suositeltujen lisävarusteiden tai -osien käyttö sekä laitteen käyttö muuhun kuin oppaassa suositeltuun tarkoitukseen voi aiheuttaa henkilövahingon vaaran.
- ◆ Säilytä tämä käyttöohje tulevaa tarvetta varten.

Laitteen käyttö

- ◆ Älä suuntaa höyryä ihmisiin, eläimiin, sähkölaitteisiin tai pistorasioihin.
- ◆ Älä altista vesisateelle.
- ◆ Älä upota laitetta veteen.
- ◆ Älä jätä laitetta ilman valvontaa.
- ◆ Älä jätä laitetta kytkettynä pistorasiaan, kun se ei ole käytössä.
- ◆ Älä koskaan irrota laitetta pistorasiasta vetämällä virtajohdosta. Pidä laitteen virtajohto etäällä lämmönlähteistä, öljystä ja terävistä reunoista.
- ◆ Älä käsittele höyrypuhdistuslaitetta märin käsin.
- ◆ Älä vedä tai kanna laitetta johdosta, käytä johtoa kahvana, sulje johtoa oven väliin, vedä johtoa terävien reunojen päältä tai anna johdon koskettaa kuumia pintoja.

- ◆ Älä käytä laitetta suljetuissa tiloissa, joissa on öljypohjaisista maaliohenteista peräisin olevia höyryjä, koin torjunta-aineita, syttyvää pölyä tai muita räjähtäviä tai myrkyllisiä höyryjä.
- ◆ Tarkista lattian tyyppi sen valmistajalta.
- ◆ Älä puhdista laitteella nahkaa, vahattuja huonekaluja tai lattiaita, synteettisiä kuituja, samettia tai muita herkkiä, höyrylle alltiita materiaaleja.



Varoitus! Älä puhdista laitteella tiivistämättömiä puu- tai laminaattilattioita. Joillakin vahalla käsitellyillä pinnoilla ja joidenkin vahaamattomien lattioiden tapauksessa lämpö ja höyry voivat poistaa kiillon. Suosittelemme laitteen kokeilemista puhdistettavan pinnan erillisellä alueella ennen jatkamista. Suosittelemme myös, että perehdyt lattian valmistajan käyttö- ja hoito-ohjeisiin.

- ◆ Älä koskaan lisää kalkinpoistoainetta sisältäviä, aromaattisia, alkoholipitoisia tai puhdistusainetta sisältäviä tuotteita höyrypuhdistimeen, sillä ne voivat vahingoittaa laitetta tai vaarantaa sen käytön.
- ◆ Jos virrankatkaisin aktivoituu höyrytoiminnon käytön aikana, lopeta välittömästi laitteen käyttö ja ota yhteyttä asiakaspalvelukeskukseen. (Varo sähköiskun vaaraa.)

- ◆ Laite tuottaa erittäin kuumaa höyryä käyttöalueen puhdistamista varten. Tämä tarkoittaa, että höyrytyspää, puhdistuslevyt ja mattolisälaite kuumentuvat käytön aikana.

Huomio! Käytä aina sopivia kenkiä höyrymopin käytön ja sen lisälaitteiden vaihdon aikana. Älä käytä sandaaleja tai kärjestään avoimia jalkineita.

- ◆ Kansi voi kuumentua käytön aikana.
- ◆ Laitteesta voi nousta höyryä käytön aikana. Laitetta käytettäessä on noudatettava varovaisuutta. ÄLÄ kosketa osia, jotka voivat kuumentua käytön aikana.
- ◆ Sammuta laite ja palauta kahva pystyasentoon, ennen kuin irrotat vesisäiliön.
- ◆ Jos kädessä pidettävän höyrypuhdistuslaitteen rungosta nousee höyryä, katkaise laitteen virta, irrota laite pistorasiasta ja anna sen jäähtyä. Ota yhteyttä lähimpään valtuutettuun huoltoliikkeeseen. Älä jatka laitteen käyttöä.

Käytön jälkeen

- ◆ Irrota laite verkkovirrasta ja anna sen jäähtyä ennen puhdistamista.
- ◆ Kun laitetta ei käytetä, se on säilytettävä kuivassa paikassa.
- ◆ Pidä laite lasten ulottumattomissa.

Tarkastus ja korjaus

- ◆ Irrota laite verkkovirrasta ja anna sen jäähtyä ennen ylläpito- tai huoltotoimenpiteiden suorittamista.

- ◆ Tarkista ennen laitteen käyttöä, ettei laitteessa ole vahingoittuneita tai viallisia osia. Tarkista osien ja kytkimien kunto sekä muut seikat, jotka voivat vaikuttaa laitteen toimintaan.
- ◆ Tarkista säännöllisesti, ettei virtajohto ole vahingoittunut.
- ◆ Älä käytä laitetta, jos jokin sen osa on vahingoittunut tai viallinen.
- ◆ Korjauta tai vaihdata vaurioituneet tai vialliset osat valtuutetussa huoltoliikkeessä.
- ◆ Älä yritä korjata tai vaihtaa muita kuin tässä käyttöohjeessa erikseen määriteltyjä osia.

Muiden henkilöiden turvallisuus

- ◆ Tämä laite soveltuu yli 8-vuotiaiden lasten ja sellaisten henkilöiden käyttöön, joilla on fyysisiä tai älyllisiä rajoitteita tai aistirajoitteita, kuten myös laitteen toimintaan perehtymättömien henkilöiden käyttöön, jos heitä valvotaan tai jos he ovat saaneet laitteen turvalliseen käyttöön liittyvää opastusta ja ymmärtävät laitteen käyttöön liittyvät vaarat. Älä anna lasten leikkiä laitteella. Puhdistus- ja huoltotoita ei saa jättää lapsille ilman valvontaa.
- ◆ Lapsia tulee valvoa ja varmistaa, että he eivät leiki laitteella.

Jäännösriskit

Myös muut kuin turvavaroituksissa mainitut riskit ovat mahdollisia laitetta käytettäessä.

Nämä riskit voivat liittyä muun muassa virheelliseen tai pitkäaikaiseen käyttöön. Tiettyjä jännönsriskejä ei voi välttää, vaikka noudatat kaikkia turvamääräyksiä ja käytät turvalaitteita. Näitä ovat:

- liikkuvien osien koskettamisen aiheuttamat vahingot
- kuumien osien koskettamisen aiheuttamat vahingot
- osia tai lisälaitteita vaihdettaessa aiheutuneet vahingot
- laitteen pitkäaikaisen käytön aiheuttamat vahingot. Kun käytät laitetta pitkään, varmista, että pidät säännöllisesti taukoja.

Sähköturvallisuus



Varoitus! Laitteen saa kytkeä ainoastaan maadoitettuun pistorasiaan. Tarkista aina, että verkkovirran jännite vastaa tyyppikilpeen merkittyä jännitettä.

Virtajohtojen pistokkeen tulee sopia pistorasiaan. Älä koskaan tee pistokkeeseen mitään muutoksia. Sähköiskun vaara vähenee, jos pistokkeisiin ei tehdä muutoksia ja ne yhdistetään vain niille tarkoitettuihin pistorasioihin.

- Jos virtajohto vahingoittuu, sen vaihtaminen on turvallisuussyistä jätettävä valmistajan tai valtuutetun BLACK+DECKER-huollon tehtäväksi.

Luokan 1 tuote ja jatkojohdot

- Luokan 1 laite edellyttää maadoitetun, 3-johtimisen virtajohtojen käyttämistä.

- Laitteen kanssa voidaan käyttää enintään 30 m pitkää jatkojohtoa ilman tehon heikkenemistä

Laitteessa olevat merkinnät

Laitteessa on seuraavat merkit sekä päivämääräkoodi:



HUOMIO Kuumaa höyryä



Ei saa jättää ilman valvontaa lasten ollessa paikalla



Pese 60 °C lämpötilassa. Älä käytä valkaisu- tai huuhteluainetta

Yleiskuvaus

Tässä laitteessa on kaikki tai joitakin seuraavista ominaisuuksista.

1. Virtakytkin
2. Autoselect™-säädin
3. Käsin pidettävän höyrytysyksikön kahva
4. Säiliön korkki
5. Vesisäiliö
6. Liitäntä
7. Lattiapidennyksen vapautuspainike
8. Lattiapidennys
9. Lattian puhdistuspää
10. Puhdistuslevy
11. Puhdistuslevyn poistokieleke
12. Lisävarusteen liitäntäletku
13. Kulmaharja (käytettävä vaikeisiin tahroihin)
14. Harja (käytettävä laattoihin/laastiin)
15. Kumilasta (käytettävä suihkuseiniin/lasiin/peileihin/ tekstiileihin/verhoiluun)
16. Kumilastapussi

Asennus



Varoitus! Ennen kuin yrität suorittaa mitään seuraavista toimenpiteistä, varmista, että laitteen virta on katkaistu, sähköpistoke on irrotettu sähköverkosta, laite on kylmä eikä se sisällä vettä.

Lattiapidennyksen kiinnittäminen lattian puhdistuspäähän (kuva A)

- Paina lattiapidennys (8) hyvin lattian puhdistuspäähän (9) ja varmista, että se napsahtaa paikoilleen.

Käsin pidettävän höyrytysyksikön kiinnittäminen lattiapidennykseen (kuva B)

- ◆ Paina käsin pidettävä höyrytysyksikkö hyvin lattiapidennykseen (8) varmistaen, että se on oikein liitännässä (6) ja napsahtaa oikein paikoilleen.

Varoitus! Tarkista käsin pidettävän höyrypuhdistuslaitteen ja lattiapidennyksen (8) välisen liitännän tiiviys ennen jokaista käyttökertaa. Jos sinetti on virheellinen tai se on vahingoittunut, ota yhteyttä lähimpään valtuutettuun huoltoliikkeeseen. Älä käytä laitetta.

Käsin pidettävän höyrytysyksikön poistaminen

- ◆ Paina vapautuspainiketta (7) lattiapidennyksessä (8) ja nosta käsin pidettävä höyrytysyksikkö pois liitännästä (6).

Puhdistuslevyn kiinnittäminen (kuva C)

Vaihtopuhdistuslevyjä saat BLACK+DECKER-jälleenmyyjältä (tuoteno FSMP20-XJ).

- ◆ Aseta puhdistuslevy (10) lattialle niin, että tarranahapuoli on ylöspäin.
- ◆ Paina höyrymoppi kevyesti puhdistuslevyn (10) päälle.

Huomio! Älä jätä höyrymoppia pidemmäksi ajaksi yhteen paikkaan. Aseta höyrymoppi tukevasti pystyasentoon. Varmista, että höyrymopin virta on katkaistu, kun laite ei ole käytössä.

Puhdistuslevyn irrottaminen

Huomio! Käytä aina sopivia kenkiä höyrymopin puhdistuslevyn vaihdon aikana.

Älä käytä sandaaleja tai kärjestään avoimia jalkineita.

- ◆ Palauta höyrymoppi pystyasentoon ja katkaise höyrymopin virta.
- ◆ Odota, kunnes höyrymoppi on jäähtynyt (n. 5 minuuttia).
- ◆ Nosta höyrymoppi pois puhdistuslevystä, irrota se tarrakiinnityksestä painamalla puhdistuslevyn poistokielekettä (11).

Huomio! Älä jätä höyrymoppia pidemmäksi ajaksi yhteen paikkaan.

Aseta höyrymoppi tukevasti pystyasentoon. Varmista, että höyrymopin virta on katkaistu, kun laite ei ole käytössä.

Vesisäiliön täyttäminen (kuva D)

Huomautus! Täytä vesisäiliö puhtaalla hanavedellä (älä käytä kemikaaleja tai lisäaineita).

Huomautus! Jos vesi on kovaa, suosittelemme deionisoidun veden käyttöä.

- ◆ Avaa säiliön kansi (4) kääntämällä se ylös.
- ◆ Täytä vesisäiliö vedellä (älä käytä kemikaaleja tai lisäaineita).

Varoitus! Säilytä vaaka-asento täyttämisen aikana.

Varoitus! Vesisäiliön tilavuus on 0,5 litraa. Älä täytä säiliötä liikaa.

- ◆ Sulje säiliön kansi (4).

Huomautus! Varmista, että säiliön kansi on kunnolla paikallaan.

Käyttö

Tärkeää! Tämä laite tappaa 99,9 % bakteereista ja basilleista, kun sitä käytetään tämän oppaan ohjeiden mukaisesti 90 sekunnin ajan mikrokuivutulevyt asennettuna.

Käynnistys ja pysäytys (kuva F)

- ◆ Kytke laite päälle painamalla virtakytkintä (1). Höyrymoppi lämpenee noin 15 sekunnissa.
- ◆ Kytke laite pois päältä painamalla virtakytkintä (1).

Huomio! Älä jätä höyrymoppia pidemmäksi ajaksi yhteen paikkaan.

Aseta höyrymoppi tukevasti pystyasentoon. Varmista, että höyrymopin virta on katkaistu, kun laite ei ole käytössä.

Huomio! Tyhjennä höyrymoppi aina käytön jälkeen.

Huomautus! Höyryn muodostuminen voi kestää 45 sekuntia ensimmäisen täyden tai kuivakäytön jälkeen.

Autoselect™-teknologia (kuva E)

Tässä höyrymopissa on Autoselect™-säädin (2), joka näyttää eri puhdistusovellukset. Näiden avulla voidaan valita puhdistustehtävän kannalta oikea toimintatila. Autoselect™-painikkeen avulla voidaan valita seuraavat sovellukset. Käännä Autoselect™-säädintä (2), kunnes haluttu asetus on valittuna.

Asetus	Moppi	Käsin pidettävä
	Puu/ laminaatti	Matala höyryvirta ●
	Laatta/vinyyli	Keskivoimakas höyryvirta ● ●
	Kivi/marmori	Voimakas höyryvirta ● ● ●

Höyrymoppi valitsee puhdistustehtävän kannalta oikean määrän höyryä.

Huomautus: Tarkista aina ennen höyrymopin käyttöä, että käytät oikeaa asetusta.

Letkun ja lisävarusteiden kiinnittäminen käsin pidettävään höyrypuhdistuslaitteeseen

Varoitus! Tarkista käsin pidettävän höyrypuhdistuslaitteen ja höyryletkun (12) välinen liitäntä ennen jokaista käyttökertaa. Jos sinetti on virheellinen tai se on vahingoittunut, ota yhteyttä lähimpään valtuutettuun huoltoliikkeeseen. Älä käytä laitetta.

Letkun kiinnittäminen (kuva H)

- ◆ Paina höyryletkun vapautuspainiketta (17) höyryletkussa (12).

- ◆ Liitä höyryletku (12) käsin pidettävään höyrypuhdistuslaitteeseen ja vapauta höyryletkun vapautuspainike (17) varmistaen, että se napsahtaa paikalleen.

Tärkeää! Varmista, että höyryletku (12) on kiinnitetty tiukasti käsin pidettävään höyrypuhdistuslaitteeseen. Jos liitoksesta tulee höyryä, letku on asennettu oikein. Sammuta laite ja anna sen jäähtyä, irrota ja asenna letku sen jälkeen.

Varoitus! Laite tulee sammuttaa ennen letkun liittämistä.

Lisävarusteiden kiinnittäminen (kuva I)

- ◆ Kohdista höyrystin (12) olevat korvakkeet lisävarusteeseen oleviin syvennyksiin.
- ◆ Paina lisävaruste höyrystimeen ja kierrä lisävarustetta vastapäivään, kunnes se napsahtaa paikalleen.

Tärkeää! Kaikki lisävarusteet on kiinnitettävä höyryletkuun (12) käyttöä varten.

Letkun ja lisävarusteiden irrottaminen

Varoitus! Höyryletku (12), höyrystin ja lisävarusteet kuumenevat käytön aikana. Anna laitteen ja kaikkien lisävarusteiden jäähtyä ennen niiden irrottamista.

Lisävarusteen irrottaminen

- ◆ Kierrä lisävarustetta myötäpäivään ja vedä sitä letkusta (12) pois päin.

Letkun irrottaminen

- ◆ Paina höyryletkussa (12) olevaa höyryletkun vapautuspainiketta (17) ja vedä se irti käsin pidettävästä höyrytysyksiköstä.

Vinkkejä parhaimman tuloksen saavuttamiseksi

Yleistä

Huomio: Älä koskaan käytä höyrymoppia ilman puhdistuslevyä.

- ◆ Imuroi tai lakaise lattia aina ennen höyrymopin käyttöä.
- ◆ Helpoin tapa käyttää laitetta on kallistaa yksikkö 45 asteen kulmaan ja puhdistaa hitaasti pieni alue kerrallaan.
- ◆ Käytä höyrymopissa ainoastaan vettä. Älä käytä lisäaineita tai kemikaaleja. Vinyyli- tai linoleumilatioilla olevat pinttyneet tahrat voidaan poistaa käsittelemällä ne miedolla puhdistusaineella ja vedellä ennen höyrymopin käyttöä.

Höyrypuhdistus mopin avulla

- ◆ Kiinnitä käsin pidettävä höyrypuhdistuslaite lattiapidennykseen (8).
- ◆ Aseta puhdistuslevy (10) lattialle niin, että tarranauhapuoli on ylöspäin.
- ◆ Paina höyrymoppi kevyesti puhdistuslevyn (10) päälle.
- ◆ Kytke höyrymoppi verkkovirtaan.

- ◆ Paina virtakytkintä (1). Höyrymoppi lämpenee noin 15 sekunnissa.
- ◆ Kierrä Autoselect™-säädintä (2), kunnes saavutat vaaditun asetuksen. Muutaman sekunnin kuluttua höyrytyspäästä alkaa nousta höyryä.

Huomautus! Höyrymopin muodostuminen voi kestää 45 sekuntia ensimmäisen täyden tai kuivakäytön jälkeen.

- ◆ Kestää muutaman sekunnin, ennen kuin höyry pääsee puhdistuslevyyn. Höyrymoppi liukuu nyt kevyesti puhdistettavan tai desinfioitavan pinnan yli.
- ◆ Puhdista pinta perusteellisesti liikuttamalla höyrymoppia hitaasti työntämällä ja vetämällä.
- ◆ Aseta kahva (8) takaisin pystyasentoon höyrymopin käytön jälkeen varmistaen, että se on tuettuna. Katkaise laitteen virta. Odota, kunnes höyrymoppi on jäähtynyt (noin viisi minuuttia).

Huomio! On tärkeää valvoa vesisäiliössä olevan veden määrää. Jos haluat täyttää vesisäiliön ja jatkaa puhdistamista tai desinfiointia, aseta moppi tukevasti pystyasentoon ja katkaise höyrymopin virta. Irrota laite pistorasiasta ja täytä vesisäiliö.

Huomio! Älä jätä höyrymoppia pidemmäksi ajaksi yhteen paikkaan. Aseta höyrymoppi tukevasti pystyasentoon. Varmista, että höyrymopin virta on katkaistu, kun laite ei ole käytössä.

Käytön jälkeen

- ◆ Kierrä Autoselect™-säädin (2) pois päältä.
- ◆ Odota, kunnes höyrymoppi on jäähtynyt.
- ◆ Irrota höyrymoppi pistorasiasta.
- ◆ Tyhjennä vesisäiliö.
- ◆ Poista puhdistuslevy (10) ja pese se valmiiksi seuraavaa käyttökertaa varten (noudata puhdistuslevyn painettuja pesuohjeita).

Lisävarusteet

Laitteen suorituskyky riippuu käytetystä lisävarusteesta. Korkealaatuiset BLACK+DECKER-lisävarusteet on suunniteltu parantamaan laitteen suorituskykyä. Käyttämällä näitä lisävarusteita saat laitteestasi parhaan hyödyn.

Puhdistaminen käsin pidettävän höyrypuhdistuslaitteen avulla

Varoitus! Pidä laitetta vaaka-asennossa käytön aikana.

- ◆ Kiinnitä tarvittava lisävaruste.
- ◆ Kytke käsin pidettävä höyrypuhdistuslaite pistorasiaan.
- ◆ Paina virtakytkintä (1). Höyrymoppi lämpenee noin 15 sekunnissa.
- ◆ Kierrä Autoselect™-säädintä (2), kunnes saavutat vaaditun asetuksen. Muutaman sekunnin kuluttua höyrytyspäästä alkaa nousta höyryä.

Huomautus! Höyrymopin muodostuminen voi kestää 45 sekuntia ensimmäisen täyden tai kuivakäytön jälkeen.

- ◆ Kun olet lopettanut käsin pidettävän höyrypuhdistuslaitteen käytön, käännä Autoselect™-säädin (2) pois päältä. Kytke laite pois päältä painamalla virtapainiketta (1) ja irrota se pistorasiasta. Odota, että laite jäähtyy ennen sen asettamista säilöön (noin viisi minuuttia).

Tekniset tiedot

FSMH1300FX		
Jännite	V _{ac}	230
Virta	W	1300
Säiliön tilavuus	ml	500
Paino	kg	2,4

Vianetsintä

Jos laite ei näytä toimivan oikein, noudata seuraavia ohjeita. Jos tämä ei auta, ota yhteys paikalliseen BLACK+DECKERhuoltoliikkeeseen.

Ongelma	Vaihe	Mahdollinen ratkaisu
Höyrymoppia ei ole kytketty päälle	1.	Tarkista, että laite on kytketty pistorasiaan.
	2.	Tarkista, että laite on kytketty päälle virtakytkimestä (1)
	3.	Tarkista pistokkeen sulake.
Höyrymoppi ei tuota höyryä	4.	Höyrymoppi tuottaa höyryä vain silloin, kun käsin pidettävä höyrypuhdistuslaite (5) on asennettu oikein päärunkoon (11) tai höyryletku on liitetty tai Autoselect™ on kytketty päälle.
	5.	Tarkista, että vesisäiliö on täysi. Huomautus: Höyryn muodostuminen voi kestää 45 sekuntia ensimmäisen täytön tai kuivakäytön jälkeen.
	6.	Tarkista kohta 1, 2 ja 3.
Höyrymoppi lakkaa tuottamasta höyryä käytön aikana	7.	Tarkista kohta 4, 5 ja 3.
Höyrymoppi tuottaa liian paljon höyryä käytön aikana	8.	Käännä Autoselect™-säädintä (2) vastapäivään höyrytystehon laskemiseksi.
Höyrymoppi tuottaa liian vähän höyryä käytön aikana	9.	Käännä Autoselect™-säädintä (2) myötäpäivään höyrytystehon lisäämiseksi.
Lisätietoa ja lisävarusteita	10.	www.blackanddecker.co.uk/steammp www.blackanddecker.ie/steammp

Προβλεπόμενη χρήση

Η ηλεκτρική σκούπα ατμού της BLACK+DECKER™ FSMH1300FX έχει σχεδιαστεί για την απολύμανση και τον καθαρισμό στεγανοποιημένου σκληρού ξύλου, στεγανοποιημένου πολυστρωματικού υλικού (λαμιné), λινόταπητα, βινυλίου, κεραμικών πλακιδίων, πέτρας και μαρμάρου. Η συσκευή αυτή προορίζεται μόνο για οικιακή χρήση σε εσωτερικούς χώρους.

Οδηγίες ασφαλείας



Προειδοποίηση! Διαβάστε όλες τις προειδοποιήσεις ασφαλείας και όλες τις οδηγίες. Η μη τήρηση των παρακάτω προειδοποιήσεων και οδηγιών μπορεί να προκαλέσει ηλεκτροπληξία, πυρκαγιά και/ή σοβαρές σωματικές βλάβες.



Προειδοποίηση! Κατά τη χρήση συσκευών που τροφοδοτούνται με ηλεκτρικό ρεύμα δικτύου, θα πρέπει να λαμβάνονται πάντα οι βασικές προφυλάξεις ασφαλείας, συμπεριλαμβανομένων και των παρακάτω, για τον περιορισμό του κινδύνου πυρκαγιάς, ηλεκτροπληξίας, τραυματισμού και υλικών ζημιών.

- ◆ Η προβλεπόμενη χρήση περιγράφεται σε αυτό το εγχειρίδιο. Τόσο η χρήση αξεσουάρ ή προσαρτημάτων, όσο και η πραγματοποίηση με αυτή τη συσκευή οποιασδήποτε εργασίας, πέραν αυτών που συνιστώνται στο παρόν εγχειρίδιο οδηγιών, μπορεί να εγκυμονεί κίνδυνο σωματικών βλαβών.

- ♦ Φυλάξτε αυτό το εγχειρίδιο για μελλοντική αναφορά.

Χρήση της συσκευής

- ♦ Μην κατευθύνετε τον ατμό προς ανθρώπους, ζώα, ηλεκτρικές συσκευές ή ηλεκτρικές πρίζες.
- ♦ Μην εκθέσετε τον εξοπλισμό στη βροχή.
- ♦ Μην βυθίσετε τη συσκευή σε νερό.
- ♦ Μην αφήνετε τη συσκευή χωρίς επίβλεψη.
- ♦ Μην αφήνετε τη συσκευή συνδεδεμένη σε ηλεκτρική πρίζα, όταν δεν είναι σε χρήση.
- ♦ Ποτέ μην αποσυνδέετε τη συσκευή από την πρίζα τραβώντας το καλώδιο τροφοδοσίας της. Διατηρείτε το καλώδιο τροφοδοσίας μακριά από πηγές θερμότητας, λάδια και αιχμηρά άκρα.
- ♦ Μην χειρίζεστε τον ατμοκαθαριστή με βρεγμένα χέρια.
- ♦ Μην τραβάτε ή μεταφέρετε τη συσκευή από το καλώδιο, μη χρησιμοποιείτε το καλώδιο ως λαβή, μην κλείνετε πόρτες πάνω στο καλώδιο, μην τραβάτε το καλώδιο γύρω από αιχμηρές γωνίες και μην εκθέτετε το καλώδιο σε θερμαινόμενες επιφάνειες.
- ♦ Μην χρησιμοποιείτε τη συσκευή σε κλειστό χώρο στον οποίο υπάρχουν ατμοί που εκπέμπονται από διαλυτικά μπογιάς με βάση το λάδι, ορισμένες ουσίες κατά των σκόρων, εύφλεκτη σκόνη ή άλλα εκρηκτικά ή τοξικά αέρια.

- ♦ Συμβουλευτείτε τον κατασκευαστή για το είδος του δαπέδου.
- ♦ Μη χρησιμοποιείτε σε δέρμα, σε έπιπλα ή δάπεδα γυαλισμένα με κερί, σε συνθετικά υφάσματα, σε βελούδο ή σε άλλα υλικά που είναι ευαίσθητα σε ατμό.



Προειδοποίηση! Μη

χρησιμοποιείτε τη συσκευή σε μη στεγανοποιημένα δάπεδα από ξύλο ή πολυστρωματικό υλικό (λαμινέ). Σε επιφάνειες που έχουν υποστεί επεξεργασία με κερί ή σε ορισμένα δάπεδα που δεν κερώνονται, η λάμψη μπορεί να απομακρυνθεί από τη θερμότητα και τη δράση του ατμού. Συνιστάται πάντα να εκτελείτε μια δοκιμή σε μια απομονωμένη περιοχή της επιφάνειας που χρειάζεται να καθαριστεί πριν προχωρήσετε. Επίσης συνιστούμε να ελέγχετε τις οδηγίες χρήσης και φροντίδας από τον κατασκευαστή του δαπέδου.

- ♦ Ποτέ μην τοποθετείτε προϊόντα απομάκρυνσης αλάτων, αρωματικά, οινόπνευματώδη ή απορρυπαντικά προϊόντα στον ατμοκαθαριστή, καθώς αυτό μπορεί να προκαλέσει ζημιά ή να τον καταστήσει ανασφαλής για χρήση.
- ♦ Εάν ενεργοποιηθεί ο ασφαλειοδιακόπτης του σπιτιού, ενώ χρησιμοποιείται η λειτουργία ατμού, διακόψτε αμέσως τη χρήση του προϊόντος και επικοινωνήστε

με το κέντρο εξυπηρέτησης πελατών. (Προσοχή στον κίνδυνο ηλεκτροπληξίας.)

- ♦ Η συσκευή εκπέμπει ιδιαίτερα καυτό ατμό για την απολύμανση του χώρου χρήσης. Αυτό σημαίνει ότι η κεφαλή ατμού, τα εξαρτήματα καθαρισμού και το εξάρτημα για τα χαλιά θερμαίνονται πολύ κατά τη χρήση.

Προσοχή! Να φοράτε πάντα κατάλληλα παπούτσια κατά τη χρήση και κατά την αλλαγή των αξεσουάρ της σφουγγαρίστρας ατμού σας. Μη φοράτε παντόφλες ή υποδήματα που αφήνουν τα δάχτυλα ακάλυπτα.

- ♦ Κατά τη χρήση το καπάκι μπορεί να θερμανθεί.
- ♦ Κατά τη χρήση μπορεί να διαφύγει ατμός από τη συσκευή.
Η χρήση αυτής της συσκευής πρέπει να γίνεται με προσοχή. ΜΗΝ αγγίζετε οποιαδήποτε εξαρτήματα καθώς είναι δυνατό να θερμανθούν κατά τη χρήση.
- ♦ Απενεργοποιήστε τη συσκευή και επαναφέρετε τη λαβή σε όρθια θέση, πριν αφαιρέσετε τη δεξαμενή νερού.
- ♦ Εάν διαπιστώσετε διαρροή ατμού από το σώμα του ατμοκαθαριστή χειρός, απενεργοποιήστε και αποσυνδέστε τη συσκευή από την παροχή ρεύματος και αφήστε την να κρυώσει. Επικοινωνήστε με το πλησιέστερο σε εσάς εξουσιοδοτημένο κέντρο επισκευών. Μη συνεχίσετε να χρησιμοποιείτε τη συσκευή.

Μετά τη χρήση

- ♦ Αποσυνδέστε τη συσκευή και αφήστε τη να κρυώσει πριν τον καθαρισμό.
- ♦ Όταν η συσκευή δεν χρησιμοποιείται, πρέπει να φυλάσσεται σε ξηρό χώρο.
- ♦ Τα παιδιά δεν πρέπει να έχουν πρόσβαση σε αποθηκευμένες συσκευές.

Έλεγχος και επισκευές

- ♦ Αποσυνδέστε τη συσκευή από την πρίζα και αφήστε τη να κρυώσει πριν την εκτέλεση οποιασδήποτε συντήρησης ή επισκευής.
- ♦ Πριν από τη χρήση, ελέγξτε τη συσκευή σας για τυχόν εξαρτήματα που παρουσιάζουν ζημιά ή βλάβη. Ελέγξτε αν υπάρχουν σπασμένα εξαρτήματα, ζημιά σε διακόπτες και οτιδήποτε άλλο μπορεί να επηρεάσει τη λειτουργία της.
- ♦ Ελέγχετε τακτικά το καλώδιο τροφοδοσίας για φθορά.
- ♦ Μη χρησιμοποιήσετε τη συσκευή αν οποιοδήποτε εξάρτημά της έχει υποστεί ζημιά ή βλάβη.
- ♦ Φροντίστε τα εξαρτήματα που παρουσιάζουν ζημιά ή βλάβη να επισκευαστούν ή αντικατασταθούν από εξουσιοδοτημένο αντιπρόσωπο επισκευών.
- ♦ Ποτέ μην επιχειρήσετε να αφαιρέσετε ή να αντικαταστήσετε οποιοδήποτε εξάρτημα, εκτός από αυτά που καθορίζονται στο παρόν εγχειρίδιο.

Ασφάλεια τρίτων

- Αυτή η συσκευή μπορεί να χρησιμοποιηθεί από παιδιά ηλικίας 8 ετών και άνω καθώς και από άτομα με μειωμένες σωματικές, αισθητηριακές ή διανοητικές ικανότητες ή άτομα χωρίς εμπειρία και γνώσεις, μόνο εφόσον επιτηρούνται ή τους έχουν δοθεί οδηγίες σχετικά με την ασφαλή χρήση της συσκευής και έχουν κατανοήσει τους πιθανούς κινδύνους. Τα παιδιά δεν πρέπει να παίζουν με τη συσκευή. Ο καθαρισμός και η συντήρηση από το χρήστη δεν πρέπει να γίνονται από παιδιά χωρίς επίβλεψη.
- Τα παιδιά θα πρέπει να βρίσκονται υπό επίβλεψη ώστε να διασφαλίζεται ότι δεν παίζουν με τη συσκευή.

Υπολειπόμενοι κίνδυνοι

Κατά τη χρήση του εργαλείου μπορεί να δημιουργηθούν πρόσθετοι υπολειπόμενοι κίνδυνοι, οι οποίοι ενδέχεται να μη συμπεριλαμβάνονται στις προειδοποιήσεις ασφαλείας που εσωκλείονται. Αυτοί οι κίνδυνοι μπορεί να προκληθούν από κακή χρήση, παρατεταμένη χρήση κλπ. Παρά την εφαρμογή των σχετικών κανονισμών ασφαλείας και τη χρήση διατάξεων ασφαλείας, ορισμένοι υπολειπόμενοι κίνδυνοι δεν είναι δυνατό να αποφευχθούν. Σε αυτούς περιλαμβάνονται:

- Τραυματισμοί από επαφή με οποιαδήποτε κινούμενα μέρη.
- Τραυματισμοί από επαφή με καυτά εξαρτήματα.

- Τραυματισμοί κατά την αλλαγή οπιοωνδήποτε εξαρτημάτων ή αξεσουάρ.
- Τραυματισμοί που προκαλούνται από παρατεταμένη χρήση της συσκευής. Όταν χρησιμοποιείτε οποιαδήποτε συσκευή για παρατεταμένες χρονικές περιόδους, βεβαιωθείτε να κάνετε τακτικά διαλείμματα.

Ασφαλής χρήση ηλεκτρικού ρεύματος



Προειδοποίηση! Το προϊόν αυτό πρέπει να γειώνεται.

Ελέγχετε πάντα ότι η παροχή ρεύματος αντιστοιχεί στην τάση που αναφέρεται στην πινακίδα στοιχείων.

Τα φισ ρευματοληψίας πρέπει να ταιριάζουν στην πρίζα. Σε καμία περίπτωση μην τροποποιήσετε το φισ, με κανένα τρόπο. Τα φισ που δεν έχουν υποστεί τροποποιήσεις και οι κατάλληλες πρίζες μειώνουν τον κίνδυνο ηλεκτροπληξίας.

- Αν το καλώδιο τροφοδοσίας είναι κατεστραμμένο, πρέπει να αντικατασταθεί από τον κατασκευαστή ή εξουσιοδοτημένο κέντρο τεχνικής υποστήριξης της BLACK+DECKER για την αποφυγή κινδύνου.

Καλώδια επέκτασης & προϊόν κλάσης 1

- Επειδή η συσκευή σας είναι γειωμένη και κατασκευής κλάσης 1, πρέπει να χρησιμοποιείται καλώδιο 3 αγωγών.

- ♦ Μπορούν να χρησιμοποιούνται καλώδια μήκους μέχρι 30 m (100 ποδιών) χωρίς πτώση τάσης.

Ετικέτες πάνω στη συσκευή

Τα ακόλουθα εικονογράμματα μαζί με τον κωδικό ημερομηνίας εμφανίζονται πάνω στη συσκευή.



ΠΡΟΣΟΧΗ Καυτός ατμός



Μην αφήνετε το εργαλείο χωρίς επίτηρηση κοντά σε μικρά παιδιά



Πλένετε στους 60 °C. Μη χρησιμοποιείτε χλωρίνη ή μαλακτικό ρούχων

Χαρακτηριστικά

Η συσκευή αυτή διαθέτει μερικά ή όλα από τα παρακάτω χαρακτηριστικά.

1. Διακόπτης ενεργοποίησης/ απενεργοποίησης (on/off)
2. Περιστροφικό χειριστήριο Autoselect™
3. Λαβή μονάδας ατμού χειρός
4. Τάπα πλήρωσης
5. Δοχείο νερού
6. Διασύνδεση
7. Κομπι απολυθέρωσης της προέκτασης δαπέδου
8. Προέκταση δαπέδου
9. Κεφαλή καθαρισμού δαπέδου
10. Εξάρτημα καθαρισμού
11. Προεξοχή αφαίρεσης εξαρτήματος καθαρισμού
12. Εύκαμπτος σωλήνας σύνδεσης αξεσουάρ
13. Γωνιακό αξεσουάρ βούρτσας (για χρήση σε επίμονους λεκέδες)
14. Αξεσουάρ βούρτσας (για χρήση σε πλακάκια / αρμούς)
15. Αξεσουάρ μάκτρου (για χρήση σε καμπίνες ντους / τζάμια / καθρέφτες / ρούχα / ταπεσαρίες επίπλων)
16. Επένδυση μάκτρου

Συναρμολόγηση



Προειδοποίηση! Πριν επιχειρήσετε οποιαδήποτε από τις παρακάτω οδηγίες, βεβαιωθείτε ότι η συσκευή είναι απενεργοποιημένη, έχει αποσυνδεθεί από την πρίζα, είναι κρύα και δεν περιέχει καθόλου νερό.

Σύνδεση της προέκτασης δαπέδου στην κεφαλή καθαρισμού δαπέδου (Εικ. Α)

- ♦ Πίεστε την προέκταση δαπέδου (8) σταθερά μέσα στην κεφαλή καθαρισμού δαπέδου (9) και βεβαιωθείτε ότι ασφαλίζει καλά στη θέση της με ήχο κλικ.

Σύνδεση της μονάδας ατμού χειρός στην προέκταση δαπέδου (Εικ. Β)

- ♦ Πίεστε τη μονάδα ατμού χειρός σταθερά πάνω στην προέκταση δαπέδου (8) και βεβαιωθείτε ότι εδράζει σωστά πάνω στη διασύνδεση (6) και ασφαλίζει καλά στη θέση της με ήχο κλικ.

Προειδοποίηση! Πριν από κάθε χρήση, επιθεωρήστε το παρέμβυσμα ανάμεσα στο σημείο σύνδεσης στον αποκαθαριστή χειρός και στην προέκταση δαπέδου (8). Αν το παρέμβυσμα δεν λειτουργεί σωστά ή παρουσιάζει ζημιές, επικοινωνήστε με το πλησιέστερό σας εξουσιοδοτημένο κέντρο επισκευών. Μη χρησιμοποιήσετε τη συσκευή.

Αφαίρεση της μονάδας ατμού χειρός

- ♦ Πατήστε το κομπι απολυθέρωσης (7) στην προέκταση δαπέδου (8) και ανυψώστε τη μονάδα ατμού χειρός από τη διασύνδεση (6).

Σύνδεση του εξαρτήματος καθαρισμού (Εικ. C)

Ανταλλακτικά εξάρτηματα καθαρισμού διατίθενται από τα εμπορικά σημεία πώλησης προϊόντων BLACK+DECKER: (αριθ. κατ. FSMP20-Χ).

- ♦ Τοποθετήστε ένα εξάρτημα καθαρισμού (10) στο δάπεδο με την πλευρά με τις θηλειές velcro στραμμένη προς τα πάνω.
- ♦ Πίεστε ελαφρά την ηλεκτρική σκούπα ατμού πάνω στο εξάρτημα καθαρισμού (10).

Προσοχή! Μην αφήνετε ποτέ την ηλεκτρική σκούπα ατμού στο ίδιο σημείο σε οποιαδήποτε επιφάνεια για οποιοδήποτε χρονικό διάστημα. Πάντοτε τοποθετείτε την ηλεκτρική σκούπα ατμού υποστηριζόμενη σε όρθια θέση όταν είναι σε στάση και να βεβαιώνετε ότι η ηλεκτρική σκούπα ατμού είναι απενεργοποιημένη όταν δεν χρησιμοποιείται.

Αφαίρεση του εξαρτήματος καθαρισμού

Προσοχή! Να φοράτε πάντοτε κατάλληλα παπούτσια όταν αλλάζετε το εξάρτημα καθαρισμού στην ηλεκτρική σκούπα ατμού.

Μη φοράτε παντόφλες ή υποδήματα που αφήνουν τα δάχτυλα ακάλυπτα.

- ♦ Επαναφέρετε την ηλεκτρική σκούπα ατμού στην όρθια θέση και απενεργοποιήστε την.
- ♦ Περιμένετε να κρυώσει η ηλεκτρική σκούπα ατμού (περίπου 5 λεπτά).
- ♦ Ανυψώστε την ηλεκτρική σκούπα ατμού από το εξάρτημα καθαρισμού απελευθερώνοντάς την από το σύστημα στερέωσης velcro ασκώντας βάρος στην προεξοχή αφαίρεσης του εξαρτήματος καθαρισμού (11).

Προσοχή! Μην αφήνετε ποτέ την ηλεκτρική σκούπα ατμού στο ίδιο σημείο σε οποιαδήποτε επιφάνεια για οποιοδήποτε χρονικό διάστημα.

Πάντοτε τοποθετείτε την ηλεκτρική σκούπα ατμού υποστηριζόμενη σε όρθια θέση όταν είναι σε στάση και να βεβαιώνετε ότι η ηλεκτρική σκούπα ατμού είναι απενεργοποιημένη όταν δεν χρησιμοποιείται.

Γέμισμα του δοχείου νερού (Εικ. D)

Σημείωση! Γεμίστε το δοχείο νερού με καθαρό νερό βρύσης (μη χρησιμοποιείτε πρόσθετα ή χημικά).

Σημείωση! Σε περιοχές με σκληρό νερό, συνιστάται η χρήση απιονισμένου νερού.

- ◆ Ανοίξτε την τάπα πλήρωσης (4) ανασκλώνοντάς της.
- ◆ Γεμίστε το δοχείο νερού με νερό (μη χρησιμοποιείτε πρόσθετα ή χημικά).

Προειδοποίηση! Κατά το γέμισμα, διατηρείτε το δοχείο σε οριζόντια θέση.

Προειδοποίηση! Το δοχείο νερού διαθέτει χωρητικότητα 0,5 λίτρου. Μη γεμίζετε υπερβολικά το δοχείο.

- ◆ Κλείστε την τάπα πλήρωσης (4).

Σημείωση! Βεβαιωθείτε ότι η τάπα πλήρωσης έχει κλείσει με ασφάλεια.

Χρήση

Σημαντικό! Αυτή η συσκευή σκοτώνει το 99,9% των βακτηριδίων και των μικροβίων, όταν χρησιμοποιείται σύμφωνα με τις οδηγίες σε αυτό το χειρίδιο και με τοποθετημένο το εξάρτημα μικροκτών και με συνεχή χρόνο λειτουργίας 90 δευτερολέπτα.

Ενεργοποίηση και απενεργοποίηση (Εικ. F)

- ◆ Για να ενεργοποιήσετε τη συσκευή, πατήστε το διακόπτη ON/OFF (1). Για να ζεσταθεί η ηλεκτρική σκούπα ατμού, χρειάζονται περίπου 15 δευτερολέπτα.
- ◆ Για να απενεργοποιήσετε τη συσκευή, πατήστε το διακόπτη ON/OFF (1).

Προσοχή! Μην αφήνετε ποτέ την ηλεκτρική σκούπα ατμού στο ίδιο σημείο σε οποιαδήποτε επιφάνεια για οποιοδήποτε χρονικό διάστημα.

Πάντοτε τοποθετείτε την ηλεκτρική σκούπα ατμού υποστηριζόμενη σε όρθια θέση όταν είναι σε στάση και να βεβαιώνετε ότι η ηλεκτρική σκούπα ατμού είναι απενεργοποιημένη όταν δεν χρησιμοποιείται.




Προσοχή! Αδειάζετε πάντα την ηλεκτρική σκούπα ατμού μετά τη χρήση.

Σημείωση! Κατά την πρώτη πλήρωση ή αν τελειώσει το νερό κατά τη λειτουργία, μπορεί να χρειαστούν μέχρι και 45 δευτερόλεπτα για την παραγωγή ατμού.

Τεχνολογία Autoselect™ (Εικ. E)

Αυτή η ηλεκτρική σκούπα ατμού είναι εξοπλισμένη με ένα περιστροφικό χειριστήριο Autoselect™ (2) που δείχνει διάφορες εφαρμογές καθαρισμού. Χρησιμοποιούνται για την επιλογή του σωστού τρόπου λειτουργίας για τη δική σας εργασία καθαρισμού.

Κατά τη χρήση του Autoselect™, επιλέξτε μια από τις παρακάτω εφαρμογές γυρίζοντας το περιστροφικό χειριστήριο Autoselect™ (2) μέχρι να επιλεγεί η απαιτούμενη ρύθμιση.

Ρύθμιση	Σφουγγαρίστρα	Συσκευή χειρός
	Ξύλο/Λαμινέ	Χαμηλή ροή ατμού ●
	Πλακάκια/Βινύλιο	Μέτρια ροή ατμού ● ●
	Πέτρα/Μάρμαρο	Υψηλή ροή ατμού ● ● ●

Η ηλεκτρική σκούπα ατμού θα επιλέξει τη σωστή ποσότητα ατμού που απαιτείται για τη συγκεκριμένη εργασία καθαρισμού σας.

Σημείωση! Ελέγχετε πάντα ότι χρησιμοποιείτε τη σωστή ρύθμιση πριν χρησιμοποιήσετε την ηλεκτρική σκούπα ατμού σας.

Σύνδεση του εύκαμπτου σωλήνα και των αξεσουάρ στον ατμοκαθαριστή χειρός

Προειδοποίηση! Πριν από κάθε χρήση, επιθεωρείτε το παρέμβυσμα ανάμεσα στο σημείο σύνδεσης στον ατμοκαθαριστή χειρός και στον εύκαμπο σωλήνα ατμού (12). Αν το παρέμβυσμα δεν λειτουργεί σωστά ή παρουσιάζει ζημιές, επικοινωνήστε με το πλησιέστερο σας εξουσιοδοτημένο κέντρο επισκευών. Μη χρησιμοποιήσετε τη συσκευή.

Σύνδεση του εύκαμπτου σωλήνα (Εικ. H)

- ◆ Πατήστε το κουμπί απελευθέρωσης (17) που βρίσκεται πάνω στον εύκαμπο σωλήνα ατμού (12).
- ◆ Συνδέστε τον εύκαμπο σωλήνα ατμού (12) στον ατμοκαθαριστή χειρός, αφήστε το κουμπί απελευθέρωσης (17) του εύκαμπτου σωλήνα ατμού και βεβαιωθείτε ότι ασφαλίζει στη θέση του με ήχο κλικ.

Σημαντικό! Βεβαιωθείτε ότι ο εύκαμπος σωλήνας ατμού (12) έχει συνδεθεί με ασφάλεια στον ατμοκαθαριστή χειρός. Αν διαφεύγει ατμός από το σημείο ένωσης, ο εύκαμπος σωλήνας έχει τοποθετηθεί λανθασμένα. Απενεργοποιήστε τη μονάδα, αφήστε τη να κρυώσει και κατόπιν αφαιρέστε και επανατοποθετήστε τον εύκαμπο σωλήνα.

Προειδοποίηση! Η μονάδα πρέπει να απενεργοποιηθεί πριν την εφαρμογή του εύκαμπτου σωλήνα.

Σύνδεση αξεσουάρ (Εικ. I)

- ◆ Ευθυγραμμίστε τις προεξοχές στο ακροφύσιο ατμού (12) με τις εσοχές στο αξεσουάρ.
- ◆ Πιέστε το αξεσουάρ πάνω στο ακροφύσιο ατμού και περιστρέψτε αριστερόστροφα, έως ότου το αξεσουάρ ασφαλίσει στη θέση του με ήχο κλικ.

Σημαντικό! Όλα τα άλλα αξεσουάρ πρέπει να συνδεθούν στον εύκαμπο σωλήνα ατμού (12) για να χρησιμοποιηθούν.

Αφαίρεση του εύκαμπτου σωλήνα και των αξεσουάρ

Προειδοποίηση! Ο εύκαμπτος σωλήνας ατμού (12), το ακροφύσιο ατμού και τα αξεσουάρ αποκτούν υψηλή θερμοκρασία κατά τη χρήση. Αφήστε τη συσκευή και όλα τα αξεσουάρ να κρυώσουν πριν επιχειρήσετε να αφαιρέσετε οτιδήποτε.

Αφαίρεση ενός αξεσουάρ

- ◆ Περιστρέψτε το αξεσουάρ δεξιόστροφα και μετά τραβήξτε το από τον εύκαμπτο σωλήνα (12).

Αφαίρεση του εύκαμπτου σωλήνα

- ◆ Πατήστε το κουμπί απελευθέρωσης (17) του εύκαμπτου σωλήνα ατμού (12) και τραβήξτε τον για να τον αφαιρέσετε από την μονάδα ατμού χειρός.

Συμβουλές για βέλτιστη χρήση

Γενικά

ΠΡΟΣΟΧΗ: Μη χρησιμοποιείτε ποτέ την ηλεκτρική σκούπα ατμού χωρίς να έχετε πρώτα τοποθετήσει ένα εξάρτημα καθαρισμού.

- ◆ Πάντα καθαρίζετε με ηλεκτρική σκούπα ή σκουπίζετε το δάπεδο πριν τη χρήση της ηλεκτρικής σκούπας ατμού.
- ◆ Ο ευκολότερος τρόπος χρήσης της συσκευής είναι να γείρετε τη μονάδα σε γωνία 45° και να καθαρίζετε αργά, καλύπτοντας μια μικρή περιοχή κάθε φορά.
- ◆ Με την ηλεκτρική σκούπα ατμού χρησιμοποιείτε μόνο νερό, χωρίς πρόσθετα ή χημικά. Για να αφαιρέσετε επίμονους λεκέδες από δάπεδα βινυλίου ή λινόταπητα, μπορείτε να τους προεπεξεργαστείτε με ένα ήπιο απορρυπαντικό και λίγο νερό πριν από τη χρήση της ηλεκτρικής σκούπας ατμού.

Καθαρισμός με ατμό με την ηλεκτρική σκούπα ατμού

- ◆ Τοποθετήστε τον ατμοκαθαριστή χειρός στην προέκταση δαπέδου (8)
- ◆ Τοποθετήστε ένα εξάρτημα καθαρισμού (10) στο δάπεδο με την πλευρά με τις θηλιές νελοο στραμμένη προς τα πάνω.
- ◆ Πιέστε ελαφρά την ηλεκτρική σκούπα ατμού πάνω στο εξάρτημα καθαρισμού (10).
- ◆ Συνδέστε την ηλεκτρική σκούπα ατμού στο ρεύμα δικτύου.
- ◆ Πατήστε το κουμπί ON/OFF (1). Για να ζεσταθεί η ηλεκτρική σκούπα ατμού, χρειάζονται περίπου 15 δευτερόλεπτα.
- ◆ Γυρίστε το περιστροφικό χειριστήριο Autoselect™ (2) έως ότου φθάσετε στην απαιτούμενη ρύθμιση. Μετά από λίγα δευτερόλεπτα θα αρχίσει να βγαίνει ατμός από την κεφαλή ατμού.

Σημείωση! Κατά την πρώτη πλήρωση ή αν τελειώσει το νερό κατά τη λειτουργία, μπορεί να χρειαστούν μέχρι και 45 δευτερόλεπτα για την παραγωγή ατμού.

- ◆ Χρειάζονται μερικά δευτερόλεπτα για να εισέλθει ο ατμός στο εξάρτημα καθαρισμού. Η ηλεκτρική σκούπα ατμού θα γλιστράει τώρα εύκολα πάνω στην επιφάνεια που πρόκειται να απολυμανθεί/καθαριστεί.

- ◆ Μετακινείτε αργά την ηλεκτρική σκούπα ατμού εμπρός-πίσω στην επιφάνεια για να καθαριστεί καλά με ατμό κάθε τμήμα.
- ◆ Όταν ολοκληρώσετε τη χρήση της ηλεκτρικής σκούπας ατμού, επιστρέψτε τη λαβή (8) στην όρθια θέση, διασφαλίζοντας ότι στηρίζεται και απενεργοποιήστε την. Περιμένετε να κρυώσει η ηλεκτρική σκούπα ατμού (περίπου πέντε λεπτά).

Προσοχή! Είναι σημαντικό να παρακολουθείτε τη στάθμη του νερού στο δοχείο νερού. Για να ξαναγεμίσετε το δοχείο νερού και να συνεχίσετε την απολύμανση/καθαρισμό, τοποθετήστε την ηλεκτρική σκούπα ατμού σε όρθια θέση, βεβαιωθείτε ότι στηρίζεται καλά και απενεργοποιήστε τη σκούπα. Αποσυνδέστε τη συσκευή από την πρίζα τοίχου και γεμίστε πάλι το δοχείο νερού.

Προσοχή! Μη αφήνετε ποτέ την ηλεκτρική σκούπα ατμού στο ίδιο σημείο σε οποιαδήποτε επιφάνεια για οποιοδήποτε χρονικό διάστημα. Πάντοτε τοποθετείτε την ηλεκτρική σκούπα ατμού υποστηριζόμενη σε όρθια θέση όταν είναι σε στάση και να βεβαιώνετε ότι η ηλεκτρική σκούπα ατμού είναι απενεργοποιημένη όταν δεν χρησιμοποιείται.

Μετά τη χρήση

- ◆ Γυρίστε το περιστροφικό χειριστήριο Autoselect™ (2) στη θέση απενεργοποίησης.
- ◆ Περιμένετε να κρυώσει η ηλεκτρική σκούπα ατμού.
- ◆ Αποσυνδέστε την ηλεκτρική σκούπα ατμού από την πρίζα τοίχου.
- ◆ Αδειάστε το δοχείο νερού.
- ◆ Αφαιρέστε το εξάρτημα καθαρισμού (10) και πλύνετε το ώστε να είναι έτοιμο για την επόμενη χρήση (προσέξτε να ακολουθήσετε τις οδηγίες φροντίδας που είναι τυπωμένες στο εξάρτημα καθαρισμού).

Αξεσουάρ

Η απόδοση της συσκευής σας εξαρτάται από τα αξεσουάρ που χρησιμοποιούνται. Τα αξεσουάρ της BLACK+DECKER έχουν κατασκευαστεί μηχανικά με βάση πρότυπα υψηλής ποιότητας και είναι σχεδιασμένα να ενισχύουν την απόδοση της συσκευής σας. Χρησιμοποιώντας αυτά τα αξεσουάρ, θα εξασφαλίσετε την καλύτερη δυνατή απόδοση του εξοπλισμού σας.

Καθαρισμός με ατμοκαθαριστή χειρός

Προειδοποίηση! Διατηρείτε τη μονάδα σε οριζόντια θέση κατά τη χρήση.

- ◆ Συνδέστε το απαιτούμενο αξεσουάρ.
- ◆ Συνδέστε τον ατμοκαθαριστή χειρός στο ρεύμα δικτύου.
- ◆ Πατήστε το κουμπί ON/OFF (1). Για να ζεσταθεί η ηλεκτρική σκούπα ατμού, χρειάζονται περίπου 15 δευτερόλεπτα.
- ◆ Γυρίστε το περιστροφικό χειριστήριο Autoselect™ (2) έως ότου φθάσετε στην απαιτούμενη ρύθμιση. Μετά από λίγα δευτερόλεπτα θα αρχίσει να βγαίνει ατμός από την κεφαλή ατμού.

Σημείωση! Κατά την πρώτη πλήρωση ή αν τελειώσει το νερό κατά τη λειτουργία, μπορεί να χρειαστούν μέχρι και 45 δευτερόλεπτα για την παραγωγή ατμού.

- ♦ Όταν τελειώσετε τη χρήση του ατμοκαθαριστή χειρός, γυρίστε το περιστροφικό χειριστήριο Autoselect™ (2) στη θέση απενεργοποίησης. Απενεργοποιήστε τη μονάδα πατώντας το κουμπί ON/OFF (1) και αποσυνδέστε την από την παροχή ρεύματος δικτύου. Περιμένετε να κρυώσει η μονάδα πριν τη φυλάξετε (περίπου πέντε λεπτά).

Τεχνικά στοιχεία

FSMH1300FX		
Τάση	V _{AC}	230
Ισχύς	W	1300
Χωρητικότητα δοχείου	ml	500
Βάρος	kg	2,4

Αντιμετώπιση προβλημάτων

Αν η συσκευή σας δεν φαίνεται να λειτουργεί σωστά, ακολουθήστε τις παρακάτω οδηγίες. Αν αυτό δεν σας βοηθήσει να επιλύσετε το πρόβλημα, επικοινωνήστε με το πλησιέστερο κέντρο επισκευών της BLACK+DECKER.

Πρόβλημα	Βήμα	Πιθανή λύση
Η ηλεκτρική σκούπα ατμού δεν ενεργοποιείται	1.	Ελέγξτε αν η μονάδα είναι συνδεδεμένη στην πρίζα τοίχου.
	2.	Ελέγξτε εάν η μονάδα είναι ενεργοποιημένη χρησιμοποιώντας τον διακόπτη ON/OFF (1)
	3.	Ελέγξτε την ασφάλεια στο φις.
Η ηλεκτρική σκούπα ατμού δεν παράγει ατμό	4.	Η ηλεκτρική σκούπα ατμού θα παράγει ατμό μόνο αν το καθαριστικό ατμού χειρός (5) έχει συνδεθεί σωστά στο κυρίως σώμα (11) ή έχει τοποθετηθεί ο εύκαμπτος σωλήνας ατμού ή το χειριστήριο Autoselect™ έχει γυριστεί στη θέση ενεργοποίησης
	5.	Ελέγξτε ότι το δοχείο νερού είναι γεμάτο. Σημείωση: Κατά την πρώτη πλήρωση ή αν τελειώσει το νερό κατά τη λειτουργία, μπορεί να χρειαστούν μέχρι και 45 δευτερόλεπτα για την παραγωγή ατμού.
	6.	Ελέγξτε το βήμα 1, μετά το βήμα 2, μετά το βήμα 3
Η ηλεκτρική σκούπα ατμού σταματάει να παράγει ατμό κατά τη χρήση	7.	Ελέγξτε το βήμα 4, μετά το βήμα 5, μετά το βήμα 3
Η ηλεκτρική σκούπα ατμού παράγει πάρα πολύ ατμό κατά τη χρήση	8.	Γυρίστε το περιστροφικό χειριστήριο Autoselect™ (2) αριστερόστροφα για να μειώσετε την ποσότητα ατμού που παράγεται
Η ηλεκτρική σκούπα ατμού παράγει πολύ λίγο ατμό κατά τη χρήση	9.	Γυρίστε το περιστροφικό χειριστήριο Autoselect™ (2) δεξιόστροφα για να αυξήσετε την ποσότητα ατμού που παράγεται
Που μπορώ να βρω περισσότερες πληροφορίες/αξεσουάρ	10.	www.blackanddecker.co.uk/steammap www.blackanddecker.ie/steammap

België/Belgique/Luxembourg www.blackanddecker.be enduser.be@sbdinc.com	Stanley Black & Decker Belgium BVBA Egide Walschaertsstraat 16 2800 Mechelen	Tel. NL +32 15 47 37 65 Tel. FR +32 15 47 37 66 Fax. +32 15 47 37 99
Danmark	Black & Decker Roskildevej 22 2620 Albertslund	kundeservice.dk@sbdinc.com www.blackanddecker.dk
Deutschland www.blackanddecker.de infobdgc@sbdinc.com	Stanley Black & Decker Deutschland GmbH Black & Decker Str. 40, D - 65510 Idstein	Tel. 06126 21-0 Fax 06126 21-2980
Ελλάδα www.blackanddecker.gr greece.service@sbdinc.com	Stanley Black & Decker (ΕΛΛΑΣ) Ε.Π.Ε ΓΡΑΦΕΙΑ: Σπύριδωνος 7 & Βουλιαγμένης 166 74 Γλυφάδα - Αθήνα	Τηλ. 210-8981616 Φαξ 210-8983570
SERVICE:	Ημερος Τόπος 2 -Χάνι Αδάμ 193 00 Ασπρόπυργος - Αθήνα	Τηλ. Service 210-8985208 Φαξ 210-5597598
España www.blackanddecker.es respuesta.posventa@sbdinc.com	Stanley Black & Decker Ibérica, S.C.A. Parc de Negocis "Mas Blau" Edificio Muntadas, c/Bergadá, 1, Of. A6 08820 El Prat de Llobregat (Barcelona)	Tel. 934 797 400 Fax 934 797 419
France www.blackanddecker.fr	Black & Decker (France) S.A.S. 5 allée des Hêtres B.P. 30084 69579 Limonest Cédex	Tel. 04 72 20 39 20 Fax 04 72 20 39 00
Helvetia www.blackanddecker.ch service@rofoag.ch	ROFO AG Gewerbezone Seeblick 3213 Kleinbödingen	Tel. 026-6749393 Fax 026-6749394
Italia www.blackanddecker.it service.italia@sbdinc.com	Stanley Black & Decker Italia Via Energypark 6 20871 Vimercate (MB)	Tel. 039-9590200 Fax 039-9590313 Numero verde 800-213935
Nederland www.blackanddecker.nl enduser.nl@sbdinc.com	Stanley Black & Decker Netherlands BV Holtum Noordweg 35, 6121 RE BORN Postbus 83, 6120 AB BORN	Tel. +31 164 283 065 Fax +31 164 283 200
Norge	Black & Decker Postboks 4613, Nydalen 0405 Oslo	kundeservice.no@sbdinc.com www.blackanddecker.no
Österreich www.blackanddecker.at service.austria@sbdinc.com	Stanley Black & Decker Austria GmbH Oberlaaerstraße 248, A-1230 Wien	Tel. 01 66116-0 Fax 01 66116-614
Portugal www.blackanddecker.pt resposta.posvenda@sbdinc.com	Black & Decker Limited SARL Quinta da Fonte - Edifício Q55 D. Diniz Rua dos Malhães, 2 e 2A - Piso 2 Esquerdo 2770 - 071 Paço de Arcos	Tel. 214667500 Fax 214667580
Suomi	Black & Decker PL47 00521, Helsinki	asiakaspalvelu.fi@sbdinc.com www.blackanddecker.fi
Sverige	Black & Decker AB Box 94, 431 22 Mölndal	kundservice.se@sbdinc.com www.blackanddecker.se
Türkiye www.blackanddecker.com.tr	KALE Hırdavat ve Makina A.Ş. Defferdar Mah. Savaklar Cad. No:15 Edimekapı / Eyüp / İstanbul 34050	Tel. 0212 533 52 55 Fax. 0212 533 10 05
United Kingdom & Republic Of Ireland www.blackanddecker.co.uk emeaservice@sbdinc.com	Black & Decker 210 Bath Road Slough, Berkshire SL1 3YD	Tel. 01753 511234 Fax 01753 512365
Middle East & Africa www.blackanddecker.ae service.mea@sbdinc.com	Black & Decker P.O.Box - 17164 Jebel Ali Free Zone (South), Dubai, UAE	Tel. +971 4 8863030 Fax +971 4 8863333