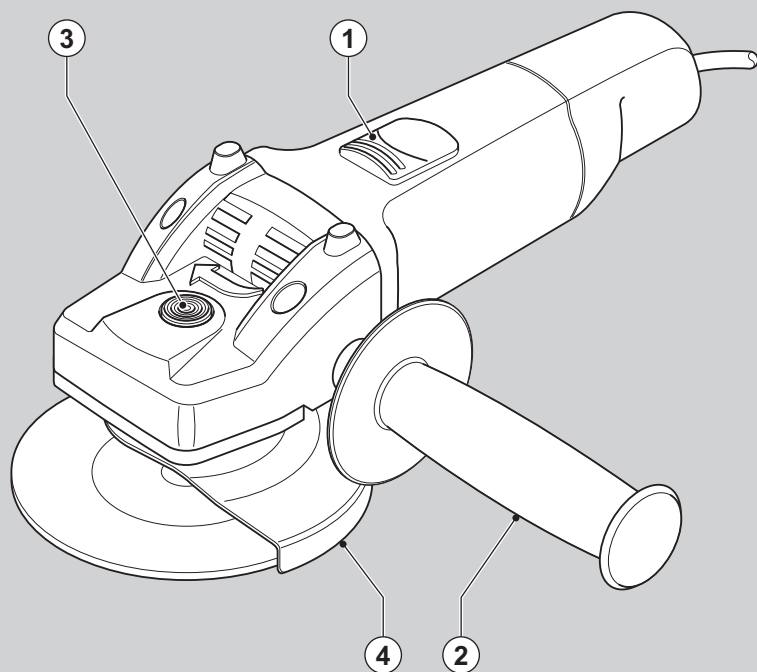


BLACK&DECKER®

Powerful Solutions™



AST15

KG725

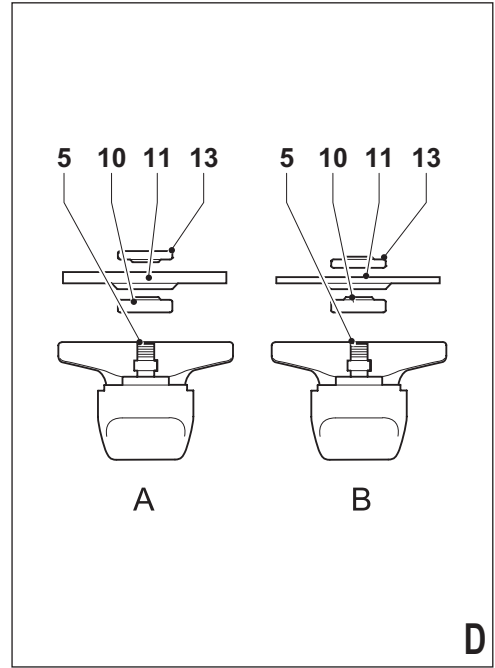
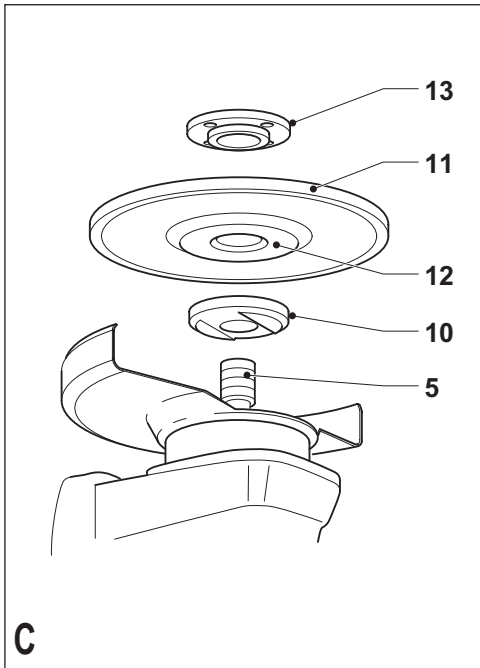
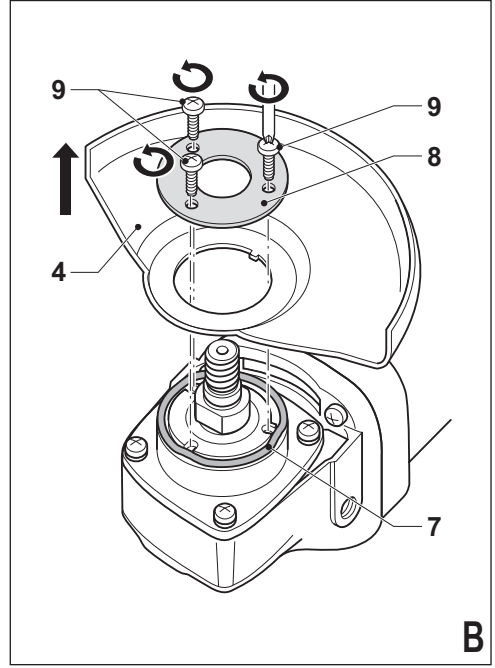
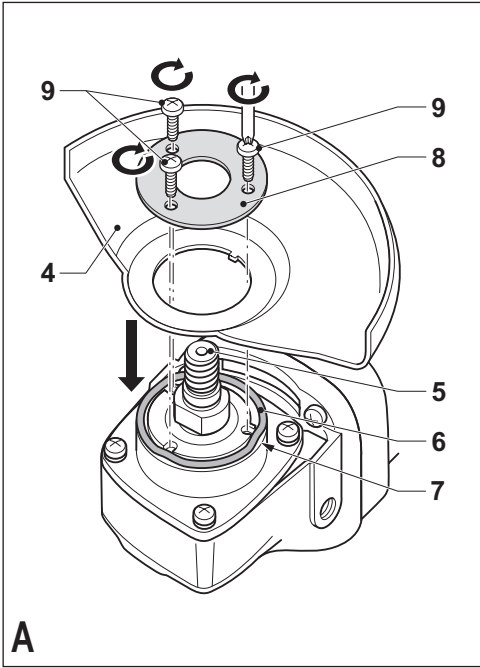
KG900

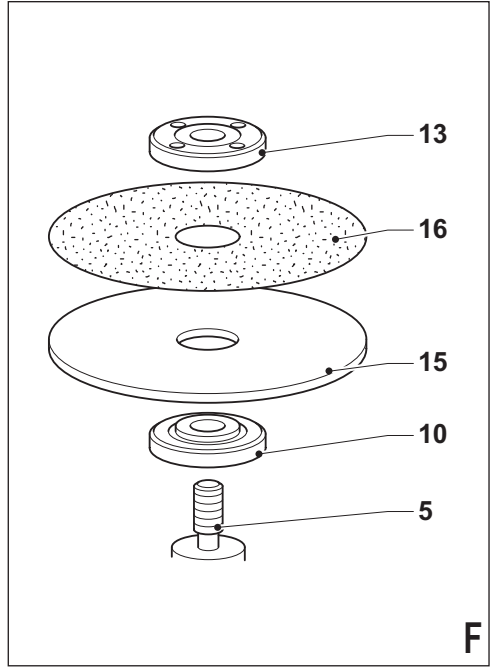
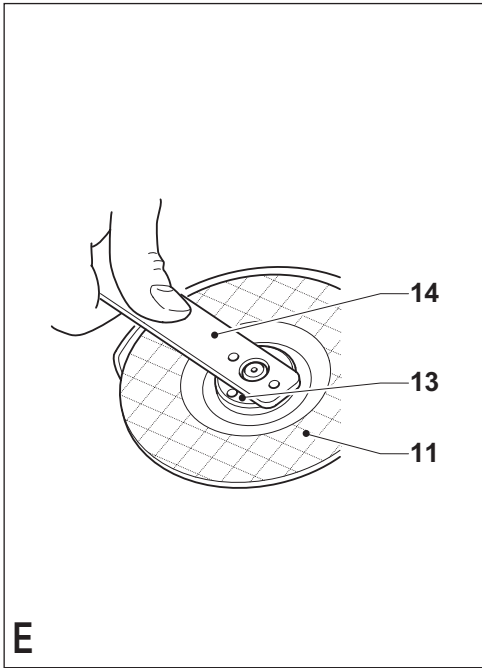
KG915

KG925

www.blackanddecker.eu

English	(Original instructions)	5
Deutsch	(Übersetzung der Originalanleitung)	12
Français	(Traduction des instructions d'origine)	20
Italiano	(Traduzione delle istruzioni originali)	28
Nederlands	(Vertaling van de originele instructies)	36
Español	(Traducción de las instrucciones originales)	44
Português	(Tradução das instruções originais)	52
Svenska	(Översättning av de ursprungliga anvisningarna)	60
Norsk	(Oversettelse av de opprinnelige instruksjonene)	67
Dansk	(Oversættelse af de originale instruktioner)	74
Suomi	(Alkuperäisten ohjeiden käännös)	81
Ελληνικά	(Μετάφραση των αρχικών οδηγιών)	88





Intended use

Your Black & Decker angle grinder has been designed for cutting metal and masonry using the appropriate type of cutting or grinding disc. This tool is intended for consumer use only.

Safety instructions

General power tool safety warnings



Warning! Read all safety warnings and all instructions. Failure to follow the warnings and instructions listed below may result in electric shock, fire and/or serious injury.

Save all warnings and instructions for future reference.

The term "power tool" in all of the warnings listed below refers to your mains operated (corded) power tool or battery operated (cordless) power tool.

1. Work area safety

- a. **Keep work area clean and well lit.** Cluttered or dark areas invite accidents.
- b. **Do not operate power tools in explosive atmospheres, such as in the presence of flammable liquids, gases or dust.** Power tools create sparks which may ignite the dust or fumes.
- c. **Keep children and bystanders away while operating a power tool.** Distractions can cause you to lose control.

2. Electrical safety

- a. **Power tool plugs must match the outlet. Never modify the plug in any way. Do not use any adapter plugs with earthed (grounded) power tools.** Unmodified plugs and matching outlets will reduce risk of electric shock.
- b. **Avoid body contact with earthed or grounded surfaces such as pipes, radiators, ranges and refrigerators.** There is an increased risk of electric shock if your body is earthed or grounded.
- c. **Do not expose power tools to rain or wet conditions.** Water entering a power tool will increase the risk of electric shock.
- d. **Do not abuse the cord. Never use the cord for carrying, pulling or unplugging the power tool. Keep cord away from heat, oil, sharp edges or moving parts.** Damaged or entangled cords increase the risk of electric shock.
- e. **When operating a power tool outdoors, use an extension cord suitable for outdoor use.** Use of a cord suitable for outdoor use reduces the risk of electric shock.
- f. **If operating a power tool in a damp location is unavoidable, use a residual current device (RCD) protected supply.** Use of an RCD reduces the risk of electric shock.

3. Personal safety

- a. **Stay alert, watch what you are doing and use common sense when operating a power tool. Do not use a power tool while you are tired or under the influence of drugs, alcohol or medication.** A moment of inattention while operating power tools may result in serious personal injury.
- b. **Use personal protective equipment. Always wear eye protection.** Protective equipment such as dust mask, non-skid safety shoes, hard hat, or hearing protection used for appropriate conditions will reduce personal injuries.
- c. **Prevent unintentional starting. Ensure the switch is in the off-position before connecting to power source and/or battery pack, picking up or carrying the tool.** Carrying power tools with your finger on the switch or energising power tools that have the switch on invites accidents.
- d. **Remove any adjusting key or wrench before turning the power tool on.** A wrench or a key left attached to a rotating part of the power tool may result in personal injury.
- e. **Do not overreach. Keep proper footing and balance at all times.** This enables better control of the power tool in unexpected situations.
- f. **Dress properly. Do not wear loose clothing or jewellery. Keep your hair, clothing and gloves away from moving parts.** Loose clothes, jewellery or long hair can be caught in moving parts.
- g. **If devices are provided for the connection of dust extraction and collection facilities, ensure these are connected and properly used.** Use of dust collection can reduce dust-related hazards.

4. Power tool use and care

- a. **Do not force the power tool. Use the correct power tool for your application.** The correct power tool will do the job better and safer at the rate for which it was designed.
- b. **Do not use the power tool if the switch does not turn it on and off.** Any power tool that cannot be controlled with the switch is dangerous and must be repaired.
- c. **Disconnect the plug from the power source and/or the battery pack from the power tool before making any adjustments, changing accessories, or storing power tools.** Such preventive safety measures reduce the risk of starting the power tool accidentally.
- d. **Store idle power tools out of the reach of children and do not allow persons unfamiliar with the power tool or these instructions to operate the power tool.** Power tools are dangerous in the hands of untrained users.
- e. **Maintain power tools. Check for misalignment or binding of moving parts, breakage of parts and any other condition that may affect the power tools operation. If damaged, have the power tool repaired before use.** Many accidents are caused by poorly maintained power tools.

- f. **Keep cutting tools sharp and clean.** Properly maintained cutting tools with sharp cutting edges are less likely to bind and are easier to control.
 - g. **Use the power tool, accessories and tool bits etc. in accordance with these instructions, taking into account the working conditions and the work to be performed.** Use of the power tool for operations different from those intended could result in a hazardous situation.
5. **Service**
- a. **Have your power tool serviced by a qualified repair person using only identical replacement parts.** This will ensure that the safety of the power tool is maintained.

Additional power tool safety warnings



Warning! Additional safety warnings for grinding, sanding, wire brushing, polishing or abrasive cutting-off operations

- ◆ **This power tool is intended to function as a grinder, sander, wire brush, polisher or cut-off tool. Read all safety warnings, instructions, illustrations and specifications provided with this power tool.** Failure to follow all instructions listed below may result in electric shock, fire and/or serious injury.
 - ◆ **Operations for which the power tool was not designed may create a hazard and cause personal injury.**
 - ◆ **Do not use accessories which are not specifically designed and recommended by the tool manufacturer.** Just because the accessory can be attached to your power tool, it does not assure safe operation.
 - ◆ **The rated speed of the accessory must be at least equal to the maximum speed marked on the power tool.** Accessories running faster than their rated speed can break and fly apart.
 - ◆ **The outside diameter and the thickness of your accessory must be within the capacity rating of your power tool.** Incorrectly sized accessories cannot be adequately guarded or controlled.
 - ◆ **The arbour size of wheels, flanges, backing pads or any other accessory must properly fit the spindle of the power tool.** Accessories with arbour holes that do not match the mounting hardware of the power tool will run out of balance, vibrate excessively and may cause loss of control.
 - ◆ **Do not use a damaged accessory. Before each use inspect the accessory such as abrasive wheels for chips and cracks, backing pad for cracks, tear or excess wear, wire brush for loose or cracked wires. If power tool or accessory is dropped, inspect for damage or install an undamaged accessory.**
- After inspecting and installing an accessory and run the power tool at maximum no-load speed for one minute.** Damaged accessories will normally break apart during this test time.
- ◆ **Wear personal protective equipment. Depending on application, use face shield, safety goggles or safety glasses. As appropriate, wear dust mask, hearing protectors, gloves and workshop apron capable of stopping small abrasive or workpiece fragments.** The eye protection must be capable of stopping flying debris generated by various operations. The dust mask or respirator must be capable of filtering particles generated by your operation. Prolonged exposure to high intensity noise may cause hearing loss.
 - ◆ **Keep bystanders a safe distance away from work area. Anyone entering the work area must wear personal protective equipment.** Fragments of workpiece or of a broken accessory may fly away and cause injury beyond immediate area of operation.
 - ◆ **Hold power tool by insulated gripping surfaces only, when performing an operation where the cutting accessory may contact hidden wiring or its own cord.** Cutting accessory contacting a "live" wire may make exposed metal parts of the power tool "live" and shock the operator.
 - ◆ **Position the cord clear of the spinning accessory.** If you lose control, the cord may be cut or snagged and your hand or arm may be pulled into the spinning accessory.
 - ◆ **Never lay the power tool down until the accessory has come to a complete stop.** The spinning accessory may grab the surface and pull the power tool out of your control.
 - ◆ **Do not run the power tool while carrying it at your side.** Accidental contact with the spinning accessory could snag your clothing, pulling the accessory into your body.
 - ◆ **Regularly clean the power tool's air vents.** The motor's fan will draw the dust inside the housing and excessive accumulation of powdered metal may cause electrical hazards.
 - ◆ **Do not operate the power tool near flammable materials.** Sparks could ignite these materials.
 - ◆ **Do not use accessories that require liquid coolants.** Using water or other liquid coolants may result in electrocution or shock.
- Note:** The above warning does not apply for power tools specifically designed for use with a liquid system.

Kickback and related warnings

Kickback is a sudden reaction to a pinched or snagged rotating wheel, backing pad, brush or any other accessory. Pinching or snagging causes rapid stalling of the rotating accessory which in turn causes the uncontrolled power tool to be forced in the direction opposite of the accessory's rotation at the point of the binding.

For example, if an abrasive wheel is snagged or pinched by the workpiece, the edge of the wheel that is entering into the pinch point can dig into the surface of the material causing the wheel to climb out or kick out. The wheel may either jump toward or away from the operator, depending on direction of the wheel's movement at the point of pinching. Abrasive wheels may also break under these conditions.

Kickback is the result of power tool misuse and/or incorrect operating procedures or conditions and can be avoided by taking proper precautions as given below.

- ◆ **Maintain a firm grip on the power tool and position your body and arm to allow you to resist kickback forces. Always use auxiliary handle, if provided, for maximum control over kickback or torque reaction during start-up.** The operator can control torque reactions or kickback forces, if proper precautions are taken.
- ◆ **Never place your hand near the rotating accessory.** Accessory may kickback over your hand.
- ◆ **Do not position your body in the area where power tool will move if kickback occurs.** Kickback will propel the tool in direction opposite to the wheel's movement at the point of snagging.
- ◆ **Use special care when working corners, sharp edges etc. Avoid bouncing and snagging the accessory.** Corners, sharp edges or bouncing have a tendency to snag the rotating accessory and cause loss of control or kickback.
- ◆ **Do not attach a saw chain woodcarving blade or toothed saw blade.** Such blades create frequent kickback and loss of control.

Additional safety instructions for grinding and cutting-off operations

Safety warnings specific for grinding and abrasive cutting-off operations

- ◆ **Use only wheel types that are recommended for your power tool and the specific guard designed for the selected wheel.** Wheels for which the power tool was not designed cannot be adequately guarded and are unsafe.
- ◆ **The guard must be securely attached to the power tool and positioned for maximum safety, so the least amount of wheel is exposed towards the operator.**

The guard helps to protect operator from broken wheel fragments and accidental contact with wheel.

- ◆ **Wheels must be used only for recommended applications. For example: do not grind with the side of cut-off wheel.** Abrasive cut-off wheels are intended for peripheral grinding, side forces applied to these wheels may cause them to shatter.
- ◆ **Always use undamaged wheel flanges that are of correct size and shape for your selected wheel.** Proper wheel flanges support the wheel thus reducing the possibility of wheel breakage. Flanges for cut-off wheels may be different from grinding wheel flanges.
- ◆ **Do not use worn down wheels from larger power tools.** Wheel intended for larger power tool is not suitable for the higher speed of a smaller tool and may burst.

Additional safety warnings specific for abrasive cutting-off operations

- ◆ **Do not "jam" the cut-off wheel or apply excessive pressure. Do not attempt to make an excessive depth of cut.** Over stressing the wheel increases the loading and susceptibility to twisting or binding of the wheel in the cut and the possibility of kickback or wheel breakage.
- ◆ **Do not position your body in line with and behind the rotating wheel.** When the wheel, at the point of operation, is moving away from your body, the possible kickback may propel the spinning wheel and the power tool directly at you.
- ◆ **When wheel is binding or when interrupting a cut for any reason, switch off the power tool and hold the power tool motionless until the wheel comes to a complete stop. Never attempt to remove the cut-off wheel from the cut while the wheel is in motion otherwise kickback may occur.** Investigate and take corrective action to eliminate the cause of wheel binding.
- ◆ **Do not restart the cutting operation in the workpiece. Let the wheel reach full speed and carefully re-enter the cut.** The wheel may bind, walk up or kickback if the power tool is restarted in the workpiece.
- ◆ **Support panels or any oversized workpiece to minimize the risk of wheel pinching and kickback.** Large workpieces tend to sag under their own weight. Supports must be placed under the workpiece near the line of cut and near the edge of the workpiece on both sides of the wheel.
- ◆ **Use extra caution when making a "pocket cut" into existing walls or other blind areas.** The protruding wheel may cut gas or water pipes, electrical wiring or objects that can cause kickback.

Safety warnings specific for sanding operations

- ◆ **Do not use excessively oversized sanding disc paper. Follow manufacturers recommendations, when selecting sanding paper.** Larger sanding paper extending beyond the sanding pad presents a laceration hazard and may cause snagging, tearing of the disc or kickback.

Safety warnings specific for polishing operations

- ◆ **Do not allow any loose portion of the polishing bonnet or its attachment strings to spin freely. Tuck away or trim any loose attachment strings.** Loose and spinning attachment strings can entangle your fingers or snag on the workpiece.

Safety warnings specific for wire brushing operations

- ◆ **Be aware that wire bristles are thrown by the brush even during ordinary operation. Do not overstress the wires by applying excessive load to the brush.** The wire bristles can easily penetrate light clothing and/or skin.
- ◆ **If the use of a guard is recommended for wire brushing, do not allow any interference of the wire wheel or brush with the guard.** Wire wheel or brush may expand in diameter due to work load and centrifugal forces.

Safety of others

- ◆ This appliance is not intended for use by persons (including children) with reduced physical, sensory or mental capabilities, or lack of experience and knowledge, unless they have been given supervision or instruction concerning use of the appliance by a person responsible for their safety.
- ◆ Children should be supervised to ensure that they do not play with the appliance.

Vibration

The declared vibration emission values stated in the technical data and the declaration of conformity have been measured in accordance with a standard test method provided by EN 60745 and may be used for comparing one tool with another. The declared vibration emission value may also be used in a preliminary assessment of exposure.

Warning! The vibration emission value during actual use of the power tool can differ from the declared value depending on the ways in which the tool is used. The vibration level may increase above the level stated.

When assessing vibration exposure to determine safety measures required by 2002/44/EC to protect persons regularly using power tools in employment, an estimation of vibration exposure should consider, the actual conditions of use and the way the tool is used, including taking account of all parts of the operating cycle such as the times when the tool is switched off and when it is running idle in addition to the trigger time.

Labels on tool

The following pictograms are shown on the tool:



Warning! To reduce the risk of injury, the user must read the instruction manual.



Wear safety glasses or goggles when operating this tool.



Wear ear protection when operating this tool.

Electrical safety



This tool is double insulated; therefore no earth wire is required. Always check that the power supply corresponds to the voltage on the rating plate.

- ◆ If the supply cord is damaged, it must be replaced by the manufacturer or an authorised Black & Decker Service Centre in order to avoid a hazard.

Features

This tool includes some or all of the following features.

1. On/off switch
2. Side handle
3. Spindle lock
4. Guard

Assembly

Warning! Before assembly, make sure that the tool is switched off and unplugged.

Fitting and removing the guard (fig. A & B)

The tool is supplied with a guard intended for grinding purposes only. If the unit is intended to perform cutting off operations, a guard specific for this operation must be fitted. Suitable guards for cutting off operations part number 1004484-00 & 1004484-01 are available and can be obtained from Black & Decker service centres.

Fitting

- ◆ Place the tool on a table, with the spindle (5) facing up.
- ◆ Place the spring washer (6) over the spindle and locate it on the shoulder (7).

- ◆ Place the guard (4) onto the tool as shown.
- ◆ Place the flange (8) over the spindle with the protruding pins towards the guard. Make sure that the holes in the flange align with the screw holes.
- ◆ Secure the flange with the screws (9). Make sure that the screws are fully tight and that the guard can be rotated.

Removing

- ◆ Use a screwdriver to remove the screws (9).
- ◆ Remove the flange (8), guard (4) and spring washer (7). Store these parts carefully.

Warning! Never use the tool without the guard.

Fitting the side handle

- ◆ Screw the side handle (2) into one of the mounting holes in the tool.

Warning! Always use the side handle.

Fitting and removing grinding or cutting discs (fig. C - E)

Always use the correct type of disc for your application. Always use discs with the correct diameter and bore size (see technical data).

Fitting

- ◆ Fit the guard as described above.
- ◆ Place the inner flange (10) onto the spindle (5) as shown (fig. C). Make sure that the flange is correctly located on the flat sides of the spindle.
- ◆ Place the disc (11) onto the spindle (5) as shown (fig. C). If the disc has a raised centre (12), make sure that the raised centre faces the inner flange.
- ◆ Make sure that the disc locates correctly on the inner flange.
- ◆ Place the outer flange (13) onto the spindle. When fitting a grinding disc, the raised centre on the outer flange must face towards the disc (A in fig. D). When fitting a cutting disc, the raised centre on the outer flange must face away from the disc (B in fig. D).
- ◆ Keep the spindle lock (3) depressed and tighten the outer flange using the two-pin spanner (14) (fig. E).

Removing

- ◆ Keep the spindle lock (3) depressed and loosen the outer flange (13) using the two-pin spanner (14) (fig. E).
- ◆ Remove the outer flange (13) and the disc (11).

Fitting and removing sanding discs (fig. E & F)

For sanding, a backing pad is required. The backing pad is available from your Black & Decker dealer as an accessory.

Fitting

- ◆ Place the inner flange (10) onto the spindle (5) as shown (fig. F). Make sure that the flange is correctly located on the flat sides of the spindle.
- ◆ Place the backing pad (15) onto the spindle.
- ◆ Place the sanding disc (16) onto the backing pad.
- ◆ Place the outer flange (13) onto the spindle with the raised centre facing away from the disc.
- ◆ Keep the spindle lock (3) depressed and tighten the outer flange using the two-pin spanner (14) (fig. E). Make sure that the outer flange is fitted correctly and that the disc is clamped tightly.

Removing

- ◆ Keep the spindle lock (3) depressed and loosen the outer flange (13) using the two-pin spanner (14) (fig. E).
- ◆ Remove the outer flange (13), the sanding disc (16) and the backing pad (15).

Use

Warning! Let the tool work at its own pace. Do not overload.

- ◆ Carefully guide the cable in order to avoid accidentally cutting it.
- ◆ Be prepared for a stream of sparks when the grinding or cutting disc touches the workpiece.
- ◆ Always position the tool in such a way that the guard provides optimum protection from the grinding or cutting disc.

Switching on and off

- ◆ To switch on, slide the on/off switch (1) forward. Note that the tool will continue running when you release the switch.
- ◆ To switch off, press the rear part of the on/off switch.

Warning! Do not switch the tool off while under load.

Hints for optimum use

- ◆ Firmly hold the tool with one hand around the side handle and the other hand around the main handle.
- ◆ When grinding, always maintain an angle of approx. 15° between the disc and the workpiece surface.

Maintenance

Your Black & Decker corded/cordless appliance/tool has been designed to operate over a long period of time with a minimum of maintenance. Continuous satisfactory operation depends upon proper tool care and regular cleaning.

Warning! Before performing any maintenance on corded/cordless power tools:

- ◆ Switch off and unplug the appliance/tool.
- ◆ Or switch off and remove the battery from the appliance/tool if the appliance/tool has a separate battery pack.
- ◆ Or run the battery down completely if it is integral and then switch off.

- ◆ Unplug the charger before cleaning it. Your charger does not require any maintenance apart from regular cleaning.
- ◆ Regularly clean the ventilation slots in your appliance/tool/charger using a soft brush or dry cloth.
- ◆ Regularly clean the motor housing using a damp cloth. Do not use any abrasive or solvent-based cleaner.
- ◆ Regularly open the chuck and tap it to remove any dust from the interior (when fitted).

Mains plug replacement (U.K. & Ireland only)

If a new mains plug needs to be fitted:

- ◆ Safely dispose of the old plug.
- ◆ Connect the brown lead to the live terminal in the new plug.
- ◆ Connect the blue lead to the neutral terminal.

Warning! No connection is to be made to the earth terminal. Follow the fitting instructions supplied with good quality plugs. Recommended fuse: 5 A.

Protecting the environment



Separate collection. This product must not be disposed of with normal household waste.

Should you find one day that your Black & Decker product needs replacement, or if it is of no further use to you, do not dispose of it with household waste. Make this product available for separate collection.



Separate collection of used products and packaging allows materials to be recycled and used again. Re-use of recycled materials helps prevent environmental pollution and reduces the demand for raw materials.

Local regulations may provide for separate collection of electrical products from the household, at municipal waste sites or by the retailer when you purchase a new product.

Black & Decker provides a facility for the collection and recycling of Black & Decker products once they have reached the end of their working life. To take advantage of this service please return your product to any authorised repair agent who will collect them on our behalf.

You can check the location of your nearest authorised repair agent by contacting your local Black & Decker office at the address indicated in this manual. Alternatively, a list of authorised Black & Decker repair agents and full details of our after-sales service and contacts are available on the Internet at: www.2helpU.com

Technical data

		AST15 TYPE 2	KG725 TYPE 2	KG900 TYPE 2
Input voltage	V _{AC}	230	230	230
Power input	W	900	701	900
No-load speed	min ⁻¹	10,000	10,000	10,000
Disc diameter	mm	115	125	100
Disc bore	mm	22	22	16
Max disc thickness				
grinding discs	mm	6	6	6
cutting discs	mm	3.5	3.5	3.5
Spindle size		M14	M14	M10
Weight	kg	2.1	2.1	2.1

		KG915 TYPE 2	KG925 TYPE 2
Input voltage	V _{AC}	230	230
Power input	W	900	900
No-load speed	min ⁻¹	10,000	10,000
Disc diameter	mm	115	125
Disc bore	mm	22	22
Max disc thickness			
grinding discs	mm	6	6
cutting discs	mm	3.5	3.5
Spindle size		M14	M14
Weight	kg	2.1	2.1

Level of sound pressure according to EN 60745:

Sound pressure (L_{pa}) 91 dB(A), uncertainty (K) 3 dB(A)
Acoustic power (L_{wa}) 102 dB(A), uncertainty (K) 3 dB(A)

Vibration total values (triax vector sum) according to EN 60745:

Surface grinding (a_{h,AG}) 7 m/s², uncertainty (K) 1.5 m/s²
Cutting-off (a_h) 2.5 m/s², uncertainty (K) 1.5 m/s²

EC declaration of conformity

MACHINERY DIRECTIVE



AST15/KG725/KG900/KG915/KG925

Black & Decker declares that these products described under "technical data" are in compliance with:
98/37/EC (until Dec. 28, 2009), 2006/42/EC
(from Dec. 29, 2009), EN 60745-1, EN 60745-2-3

For more information, please contact Black & Decker at the following address or refer to the back of the manual.

The undersigned is responsible for compilation of the technical file and makes this declaration on behalf of Black & Decker.

Kevin Hewitt
Vice-President Global Engineering
Black & Decker Europe, 210 Bath Road, Slough,
Berkshire, SL1 3YD
United Kingdom
30-9-2009

To claim on the guarantee, you will need to submit proof of purchase to the seller or an authorised repair agent. You can check the location of your nearest authorised repair agent by contacting your local Black & Decker office at the address indicated in this manual. Alternatively, a list of authorised Black & Decker repair agents and full details of our after-sales service and contacts are available on the Internet at:

www.2helpU.com

Please visit our website **www.blackanddecker.co.uk** to register your new Black & Decker product and to be kept up to date on new products and special offers. Further information on the Black & Decker brand and our range of products is available at **www.blackanddecker.co.uk**

Guarantee

Black & Decker is confident of the quality of its products and offers an outstanding guarantee. This guarantee statement is in addition to and in no way prejudices your statutory rights. The guarantee is valid within the territories of the Member States of the European Union and the European Free Trade Area.

If a Black & Decker product becomes defective due to faulty materials, workmanship or lack of conformity, within 24 months from the date of purchase, Black & Decker guarantees to replace defective parts, repair products subjected to fair wear and tear or replace such products to ensure minimum inconvenience to the customer unless:

- ◆ The product has been used for trade, professional or hire purposes;
- ◆ The product has been subjected to misuse or neglect;
- ◆ The product has sustained damage through foreign objects, substances or accidents;
- ◆ Repairs have been attempted by persons other than authorised repair agents or Black & Decker service staff.

Bestimmungsgemäße Verwendung

Ihr Black & Decker Winkelschleifer wurde zum Schneiden und Schleifen von Metall und Mauerwerk unter Verwendung der entsprechenden Trenn- bzw. Schleifscheibe konstruiert. Dieses Gerät ist nicht für den gewerblichen Einsatz vorgesehen.

Sicherheitshinweise

Allgemeine Warnhinweise zur Sicherheit von Elektrowerkzeugen



Achtung! Lesen Sie sämtliche Sicherheitswarnhinweise und sonstigen Anweisungen.

Die Nichteinhaltung der nachstehend aufgeführten Warnhinweise und sonstigen Anweisungen kann einen elektrischen Schlag, Brand und/oder schwere Verletzungen verursachen.

Bewahren Sie alle Warnhinweise und sonstigen Anweisungen zur künftigen Bezugnahme auf.

Der nachfolgend verwendete Begriff "Gerät" bezieht sich auf netzbetriebene Geräte (mit Netzkabel) und auf akkubetriebene Geräte (ohne Netzkabel).

1. **Sicherheit am Arbeitsplatz**
 - a. **Halten Sie Ihren Arbeitsbereich sauber und gut ausgeleuchtet.** Unordnung und dunkle Arbeitsbereiche fordern Unfälle geradezu heraus.
 - b. **Arbeiten Sie mit Geräten nicht in explosionsgefährdeter Umgebung, in der sich brennbare Flüssigkeiten, Gase oder Stäube befinden.** Geräte erzeugen Funken, die den Staub oder die Dämpfe entzünden können.
 - c. **Halten Sie Kinder und andere Personen während der Benutzung eines Geräts fern.** Bei Ablenkung können Sie die Kontrolle verlieren.
2. **Elektrische Sicherheit**
 - a. **Der Anschlussstecker des Geräts muß in die Steckdose passen. Der Stecker darf in keiner Weise verändert werden. Verwenden Sie keine Adapterstecker gemeinsam mit schutzgeerdeten Geräten.** Unveränderte Stecker und passende Steckdosen verringern das Risiko eines elektrischen Schlages.
 - b. **Vermeiden Sie Körperkontakt mit geerdeten Oberflächen von Rohren, Heizungen, Herden und Kühlschränken.** Es besteht ein erhöhtes Risiko eines elektrischen Schlages, wenn Ihr Körper geerdet ist.
 - c. **Halten Sie Geräte von Regen und Nässe fern.** Das Eindringen von Wasser in ein Gerät erhöht das Risiko eines elektrischen Schlages.
3. **Sicherheit von Personen**
 - a. **Seien Sie aufmerksam, achten Sie darauf, was Sie tun, und gehen Sie vernünftig mit einem Gerät um. Benutzen Sie das Gerät nicht, wenn Sie müde sind oder unter dem Einfluß von Drogen, Alkohol oder Medikamenten stehen.** Ein Moment der Unachtsamkeit beim Gebrauch von Geräten kann zu ernsthaften Verletzungen führen.
 - b. **Tragen Sie persönliche Schutzausrüstung. Tragen Sie immer eine Schutzbrille.** Das Tragen persönlicher Schutzausrüstung, wie Staubmaske, rutschfeste Sicherheitsschuhe, Schutzhelm oder Gehörschutz, je nach Art und Einsatz des Elektrowerkzeuges, verringert das Risiko von Verletzungen.
 - c. **Vermeiden Sie eine unbeabsichtigte Inbetriebnahme. Vergewissern Sie sich, dass der Schalter auf der Aus-Stellung steht, bevor Sie den Stecker in die Steckdose stecken und/oder das Akkupaket im Werkzeug stecken, das Werkzeug aufnehmen oder tragen.** Wenn Sie beim Tragen des Elektrowerkzeuges den Finger am Schalter haben oder das Werkzeug eingeschaltet an die Stromversorgung anschließen, kann dies zu Unfällen führen.
 - d. **Entfernen Sie Einstell- oder Schraubenschlüssel, bevor Sie das Gerät einschalten.** Ein Schlüssel, der sich in einem sich drehenden Teil befindet, kann zu Verletzungen führen.
 - e. **Nicht zu weit nach vorne strecken! Achten Sie auf einen sicheren Stand, um in jeder Arbeitsposition das Gleichgewicht zu halten.** Dadurch können Sie das Gerät in unerwarteten Situationen besser unter Kontrolle halten.
 - f. **Tragen Sie geeignete Kleidung. Tragen Sie keine weite Kleidung oder Schmuck. Halten Sie Haare, Kleidung und Handschuhe fern von sich bewegenden Teilen.**
- d. **Mißbrauchen Sie nicht das Kabel. Verwenden Sie das Kabel niemals zum Tragen, Ziehen oder Trennen des Gerätes vom Netz. Halten Sie das Kabel fern von Hitze, Öl, scharfen Kanten oder sich bewegenden Teilen.** Beschädigte oder verwickelte Kabel erhöhen das Risiko eines elektrischen Schlages.
- e. **Wenn Sie mit einem Gerät im Freien arbeiten, verwenden Sie nur Verlängerungskabel, die auch für den Außenbereich zugelassen sind.** Die Verwendung eines für den Außenbereich geeigneten Verlängerungskabels verringert das Risiko eines elektrischen Schlages.
- f. **Falls der Betrieb des Elektrowerkzeuges in einer feuchten Umgebung unvermeidbar ist, verwenden Sie einen mit einem Fehlerstromschutzschalter (FI-Schutzschalter) abgesicherten Stromkreis.** Durch die Verwendung eines FI-Schutzschalters wird das Risiko eines Stromschlages verringert.

Lockere Kleidung, Schmuck oder lange Haare können von sich bewegenden Teilen erfaßt werden.

- g. Falls Staubabsaug- und -auffangvorrichtungen vorhanden sind, vergewissern Sie sich, daß diese angeschlossen sind und richtig verwendet werden.** Das Verwenden dieser Einrichtungen verringert Gefährdungen durch Staub.
- 4. Gebrauch und Pflege von Geräten**
- a. Überlasten Sie das Gerät nicht. Verwenden Sie für Ihre Arbeit das dafür bestimmte Gerät.** Mit dem passenden Gerät arbeiten Sie besser und sicherer im angegebenen Leistungsbereich.
- b. Benutzen Sie kein Gerät, dessen Schalter defekt ist.** Ein Gerät, das sich nicht mehr ein- oder ausschalten läßt, ist gefährlich und muß repariert werden.
- c. Trennen Sie den Stecker von der Stromquelle und/ oder das Akkupaket vom Elektrowerkzeug, bevor Einstellungen vorgenommen, Zubehör gewechselt oder Elektrowerkzeuge verstaut werden.** Diese Vorsichtsmaßnahmen verhindern den unbeabsichtigten Start des Gerätes.
- d. Bewahren Sie unbenutzte Geräte außerhalb der Reichweite von Kindern auf. Lassen Sie Geräte nicht von Personen benutzen, die damit nicht vertraut sind oder diese Anweisungen nicht gelesen haben.** Geräte sind gefährlich, wenn Sie von unerfahrenen Personen benutzt werden.
- e. Halten Sie Geräte in einem einwandfreien Zustand. Kontrollieren Sie, ob bewegliche Teile falsch ausgerichtet sind oder klemmen und ob Teile gebrochen oder so beschädigt sind, daß die Funktion des Geräts beeinträchtigt ist. Lassen Sie beschädigte Geräte vor dem Gebrauch reparieren.** Viele Unfälle haben ihre Ursache in schlecht gewarteten Geräten.
- f. Halten Sie Schneidgeräte scharf und sauber.** Sorgfältig gepflegte Schneidgeräte mit scharfen Schneidkanten verklemmen sich weniger und sind leichter zu führen.
- g. Verwenden Sie das Elektrowerkzeug, Zubehör sowie Werkzeug-Bits, usw. entsprechend diesen Anweisungen. Berücksichtigen Sie dabei die Arbeitsbedingungen sowie die durchzuführende Arbeit.** Der Gebrauch von Geräten für andere als die vorgesehenen Anwendungen kann zu gefährlichen Situationen führen.
- 5. Service**
- a. Lassen Sie Ihr Gerät nur von qualifiziertem Fachpersonal und nur mit Original-Ersatzteilen reparieren.** Damit wird gewährleistet, daß die Sicherheit des Geräts erhalten bleibt.

Zusätzliche Warnhinweise zur Sicherheit von Elektrowerkzeugen



Achtung! Zusätzliche Warnhinweise zur Sicherheit beim Schleifen, Schmirgeln, Drahtbürsten, Polieren oder bei Trennschneidvorgängen

- ◆ **Dieses Elektrowerkzeug ist für Schleif- und Schmirgelarbeiten, als Drahtbürste, als Poliergerät oder als Trennschneider konstruiert. Lesen Sie alle zu diesem Elektrowerkzeug gehörenden Warnhinweise, Anweisungen, Abbildungen und Spezifikationen durch.** Die Nichteinhaltung der nachstehend aufgeführten Anweisungen kann einen elektrischen Schlag, Brand und/ oder schwere Verletzungen verursachen.
- ◆ **Arbeiten, für die das Elektrowerkzeug nicht konstruiert wurde, können gefährlich sein und zu Personenverletzungen führen.**
- ◆ **Verwenden Sie kein Zubehör, welches nicht ausdrücklich für das Werkzeug konstruiert und vom Werkzeughersteller empfohlen wurde.** Nur weil ein Zubehörteil an Ihrem Elektrowerkzeug montiert werden kann, bedeutet das nicht, daß ein sicherer Betrieb damit möglich ist.
- ◆ **Die Nenngeschwindigkeit des Zubehörs muß mindestens der auf dem Elektrowerkzeug angegebenen Maximalgeschwindigkeit entsprechen.** Zubehör, welches schneller als mit der Nenngeschwindigkeit läuft, kann brechen und auseinanderfliegen.
- ◆ **Der Außendurchmesser und die Stärke Ihres Zubehörs muß innerhalb der Nennkapazität Ihres Elektrowerkzeugs liegen.** Zubehör mit falscher Größe kann nicht angemessen geschützt oder kontrolliert werden.
- ◆ **Die Dorngröße von Scheiben, Flanschen, Schleiftellern sowie anderem Zubehör muß zur Spindel des Elektrowerkzeugs passen.** Zubehör mit Dornlöchern, die nicht zu den Befestigungsteilen des Elektrowerkzeugs passen, laufen mit einer Unwucht, vibrieren übermäßig und können zum Kontrollverlust führen.
- ◆ **Benutzen Sie kein beschädigtes Zubehör.** Untersuchen Sie jedes Zubehörteil wie beispielsweise Schleifscheiben auf Abblättern und Risse, Schleifteller auf Risse, Abnutzung oder übermäßigen Verschleiß, Drahtbürsten auf lose oder gebrochene Drähte. Wird das Elektrowerkzeug oder Zubehör fallen gelassen, überprüfen Sie es auf Beschädigung bzw. bringen Sie unbeschädigtes Zubehör an. Lassen Sie nach der Überprüfung und Montage eines Zubehörteils das Elektrowerkzeug eine Minute lang mit seiner maximalen Geschwindigkeit im Leerlauf laufen. Beschädigtes Zubehör bricht normalerweise während dieser Prüfzeit auseinander.

- ◆ **Tragen Sie Personenschutzrüstung. Verwenden Sie je nach Einsatz einen Gesichtsschutz oder eine Schutzbrille. Tragen Sie eine Staubmaske, einen Gehörschutz, Schutzhandschuhe und eine Werkstattschürze, die kleinen Abrieb oder Werkstückteilchen abhält.** Der Augenschutz muß verhindern, daß der durch die verschiedenen Arbeiten verursachte herumfliegende Schmutz in die Augen gelangt. Staubmaske oder Atemgerät müssen in der Lage sein, die durch Ihre Arbeit hervorgerufenen Teilchen zu filtern. Wenn Sie sich längere Zeit starkem Lärm aussetzen, kann dies zu Gehörschäden führen.
- ◆ **Halten Sie Unbeteiligte in einem Sicherheitsabstand zum Arbeitsbereich. Jede Person, die den Arbeitsbereich betritt, muß Personenschutzrüstung tragen.** Teilchen des Werkstücks oder eines gebrochenen Zubehörs können wegfiegen und auch jenseits des unmittelbaren Arbeitsbereichs Verletzungen verursachen.
- ◆ **Halten Sie das Elektrowerkzeug nur an den isolierten Griffflächen, wenn Arbeiten durchgeführt werden, bei denen das Schneidezubehör versteckte Leitungen oder die eigene Anschlußleitung berühren könnte.** Schneidezubehör, das eine spannungsführende Leitung berührt, setzt die freiliegenden Metallteile des Elektrowerkzeugs unter Spannung und der Benutzer erleidet einen Stromschlag.
- ◆ **Halten Sie die Anschlußleitung von dem sich drehenden Zubehör fern.** Wenn Sie die Kontrolle verlieren, kann die Anschlußleitung durchgeschnitten werden oder hängen bleiben und Ihre Hand oder Ihr Arm kann in das sich drehende Zubehör hineingezogen werden.
- ◆ **Legen Sie das Elektrowerkzeug niemals ab, solange das Zubehör noch nicht vollständig stehengeblieben ist.** Das sich drehende Zubehör kann sich in die Oberfläche eingraben und Ihnen das Elektrowerkzeug entreißen.
- ◆ **Lassen Sie das Elektrowerkzeug nicht laufen, während Sie es an Ihrer Seite tragen.** Ein versehentlicher Kontakt mit dem sich drehenden Zubehör kann dazu führen, daß sich Ihre Kleidung verfängt und das Zubehör in Richtung Ihres Körpers gezogen wird.
- ◆ **Reinigen Sie regelmäßig die Belüftungsschlitze des Elektrowerkzeugs.** Der Motorlüfter saugt Staub in das Gehäuse hinein, und eine übermäßige Ansammlung an pulverisiertem Metall kann zu einer elektrischen Gefahr werden.
- ◆ **Betreiben Sie das Elektrowerkzeug nicht in der Nähe von brennbaren Stoffen.** Funken können diese Stoffe entzünden.
- ◆ **Verwenden Sie kein Zubehör, das flüssige Kühlmittel benötigt.** Die Verwendung von Wasser oder anderen flüssigen Kühlmitteln kann zu tödlichen Stromschlägen führen.

Hinweis: Die oben aufgeführten Warnhinweise gelten nicht für Elektrowerkzeuge, die speziell für den Einsatz mit einem Flüssigkeitssystem konstruiert wurden.

Warnung vor Rückschlag und verwandte Warnhinweise

Rückschlag ist eine plötzliche Reaktion auf eine eingeklemmte oder verfangene Scheibe, einen Schleifteller, eine Bürste oder ein anderes Zubehörteil. Das Einklemmen oder Verfangen bewirkt zum Zeitpunkt des Hängenbleibens ein schnelles Abbremsen des sich drehenden Zubehörs, das wiederum bewirkt, daß das unkontrollierte Elektrowerkzeug in Gegenrichtung zur Drehrichtung des Zubehörs getrieben wird.

Wird beispielsweise eine Schleifscheibe vom Werkstück eingeklemmt, kann die Scheibenkante, die in die Einklemmstelle eintritt, sich in die Oberfläche des Materials eingraben, und die Schleifscheibe kann aus dem Werkstück "herausklettern" oder es kann ein Rückschlag verursacht werden. Die Schleifscheibe kann entweder zum Bediener hin oder von ihm weg springen - je nach Bewegungsrichtung der Schleifscheibe an der Einklemmstelle. Schleifscheiben können unter diesem Bedingungen auch brechen.

Ein Rückschlag ist das Resultat eines Mißbrauchs und/oder einer falschen Bedienung des Elektrowerkzeugs oder von falschen Bedingungen und kann durch die entsprechenden unten angegebenen Vorsichtsmaßnahmen vermieden werden.

- ◆ **Halten Sie das Elektrowerkzeug fest im Griff und positionieren Sie Ihren Körper und den Arm so, daß Sie Rückschlagkräften widerstehen können. Verwenden Sie stets den Zusatzhandgriff, falls vorhanden, um eine maximale Kontrolle über den Rückschlag bzw. über die Drehmomentreaktion beim Starten zu haben.** Der Bediener kann die Reaktionen auf das Drehmoment oder Rückschläge kontrollieren, wenn entsprechende Vorsichtsmaßnahmen getroffen werden.
- ◆ **Bringen Sie Ihre Hand niemals in der Nähe des sich drehenden Zubehörs.** Das Zubehör kann einen Rückschlag über Ihre Hand bewirken.
- ◆ **Positionieren Sie Ihren Körper nicht in dem Bereich, in dem sich das Elektrowerkzeug bewegt, wenn ein Rückschlag eintritt.** Ein Rückschlag treibt das Werkzeug zum Zeitpunkt des Einklemmens in Gegenrichtung zur Drehrichtung der Scheibe.
- ◆ **Gehen Sie beim Bearbeiten von Ecken, scharfen Kanten, usw. besonders vorsichtig vor. Vermeiden Sie ein Prellen und Einklemmen des Zubehörs.** Ecken, scharfe Kanten oder ein Prellen haben die Tendenz, das sich drehende Zubehör einzuklemmen und bewirken einen Kontrollverlust bzw. Rückschlag.

- ◆ **Bringen Sie keine Sägeketten-Holzschnitzklinge oder ein bezahntes Sägeblatt an.** Derartige Sägeblätter bewirken einen häufigen Rückschlag und führen zum Kontrollverlust.

Zusätzliche Sicherheitshinweise für Schleif- und Trennarbeiten

Zusätzliche Warnhinweise für Schleif- und Trennarbeiten

- ◆ **Verwenden Sie nur Scheibentypen, die für Ihr Elektrowerkzeug empfohlen sind sowie die für die ausgewählte Scheibe vorgesehene Schutzvorrichtung.** Scheiben, für die das Elektrowerkzeug nicht konstruiert wurde, können nicht angemessen geschützt werden und sind unsicher.
- ◆ **Die Schutzvorrichtung muss sicher am Elektrowerkzeug befestigt und so positioniert sein, dass die maximale Sicherheit erzielt wird, d.h. dass der Bediener der Scheibe so wenig wie möglich ausgesetzt ist.** Die Schutzvorrichtung trägt dazu bei, dass der Bediener vor gebrochenen Scheibenfragmenten sowie einem versehentlichen Kontakt mit der Scheibe geschützt wird.
- ◆ **Die Scheiben dürfen nur für die empfohlenen Einsätze verwendet werden. Beispiel: schleifen Sie nicht mit der Seite einer Trennscheibe.** Trennscheiben trennen durch Schleifen am Scheibenumfang; werden seitliche Kräfte an diesen Scheiben angewandt, kann dies die Scheiben zertrümmern.
- ◆ **Verwenden Sie stets unbeschädigte Scheibenflansche der richtigen Größe und Form für Ihre ausgewählte Scheibe.** Richtige Scheibenflansche stützen die Scheibe und verringern dadurch die Möglichkeit eines Scheibenbruchs. Flansche für Trennscheiben können sich von Flanschen für Schleifscheiben unterscheiden.
- ◆ **Verwenden Sie keine verschlissenen Scheiben von größeren Elektrowerkzeugen.** Eine Scheibe, die für ein größeres Elektrowerkzeug vorgesehen ist, ist nicht für die höhere Geschwindigkeit eines kleineren Werkzeugs geeignet und kann zerspringen.

Zusätzliche Warnhinweise, die speziell Trennschleifarbeiten betreffen

- ◆ **"Verklemmen" Sie die Trennscheibe nicht und üben Sie keinen übermäßigen Druck aus. Versuchen Sie nicht, einen übermäßig tiefen Schnitt zu machen.** Durch eine Überbeanspruchung der Scheibe wird die Belastung und die Anfälligkeit auf Verdrehen bzw. Festfressen der Scheibe im Schnitt sowie die Möglichkeit eines Rückschlags oder Scheibenbruchs erhöht.

- ◆ **Positionieren Sie Ihren Körper nicht in einer Linie und hinter der sich drehenden Scheibe.** Bewegt sich die Scheibe am Einsatzpunkt von Ihrem Körper weg, kann der mögliche Rückschlag die sich drehende Scheibe und das Elektrowerkzeug direkt auf Sie zubewegen.
- ◆ **Wenn die Scheibe hängen bleibt oder wenn ein Schnitt aus irgendeinem Grund unterbrochen wird, schalten Sie das Elektrowerkzeug aus und halten Sie es bewegungslos, bis die Scheibe vollkommen zum Stillstand gekommen ist. Versuchen Sie niemals, die Trennscheibe aus dem Schnitt zu entfernen, während die Scheibe in Bewegung ist. Andernfalls kann ein Rückschlag auftreten.** Untersuchen Sie den Fall und treffen Sie Abhilfemaßnahmen, um die Ursache des Hängens der Scheibe zu beseitigen.
- ◆ **Starten Sie den Schnitt im Werkstück nicht neu. Lassen Sie die Scheibe ihre volle Geschwindigkeit erreichen und führen Sie das Werkzeug wieder in den Schnitt ein.** Die Scheibe kann hängen bleiben, nach oben wandern oder zurückschlagen, wenn das Elektrowerkzeug im Werkstück neu gestartet wird.
- ◆ **Stützen Sie Paneele oder Werkstücke mit Übergröße ab, um die Gefahr zu verringern, daß die Scheibe eingeklemmt wird und ein Rückschlag auftritt.** Große Werkstücke haben die Tendenz, durch ihr Eigengewicht durchzusacken. Unter dem Werkstück in der Nähe der Schnittlinie und in der Nähe der Werkstückkante müssen auf beiden Seiten der Scheibe Stützen platziert werden.
- ◆ **Gehen Sie besonders vorsichtig vor, wenn ein „Taschenschnitt“ in vorhandene Wände oder andere blinde Bereiche durchgeführt wird.** Die hervorstehende Scheibe könnte Gas- oder Wasserleitungen, elektrische Leitungen oder andere Gegenstände durchtrennen, die einen Rückschlag verursachen.

Spezielle Sicherheitshinweise für Schleifarbeiten

- ◆ **Verwenden Sie kein zu großes Schleifscheibenpapier. Befolgen Sie bei der Wahl des Schleifpapiers die Empfehlungen des Herstellers.** Größeres Schleifpapier, das über den Schleifteller hinaus hervorsteht, stellt eine Schnittwundengefahr dar und kann zum Hängenbleiben, zum Reißen oder zu einem Rückschlag führen.

Spezielle Sicherheitshinweise für Polierarbeiten

- ◆ **Vermeiden Sie, daß sich lose Teile der Polierhaube oder seiner Befestigungsschnüre frei drehen können. Schlagen Sie lose Befestigungsschnüre ein oder kürzen Sie sie.** Lose oder sich drehende Befestigungsschnüre können sich mit Ihren Fingern verfangen oder auf dem Werkstück hängen bleiben.

Spezielle Sicherheitshinweise für Drahtbürstarbeiten

- ◆ **Seien Sie sich darüber im Klaren, daß einzelne Borsten auch bei normaler Arbeit abfliegen.**
Überlasten Sie die Drähte nicht durch Ausüben einer zu hohen Belastung auf die Bürste. Die Drahtborsten können ohne Weiteres in leichte Kleidung und/oder die Haut eindringen.
- ◆ **Falls die Verwendung einer Schutzvorrichtung für Drahtbürstarbeiten empfohlen wird, verhindern Sie eine Behinderung der Drahtbürstenscheibe oder Bürste durch die Schutzvorrichtung.**
Drahtbürstenscheiben oder Bürsten können sich aufgrund der Belastung und der Zentrifugalkräfte im Durchmesser vergrößern.

Sicherheit anderer Personen

- ◆ Dieses Gerät darf nicht von Personen (einschließlich Kindern) mit eingeschränkten körperlichen, sensorischen oder geistigen Fähigkeiten verwendet werden. Auch darf es nicht von Personen verwendet werden, die keine Erfahrung mit dem Gerät oder Kenntnis darüber haben, es sei denn, sie stehen beim Gebrauch unter der Aufsicht und Anleitung einer für deren Sicherheit verantwortlichen Person.
- ◆ Kinder müssen beaufsichtigt werden, um sicherzustellen, daß sie nicht mit dem Gerät spielen.

Vibrationen

Die angegebenen Vibrationswerte in den Technischen Daten und der Konformitätserklärung wurden gemäß einer standardisierten und durch EN 60745 festgelegten Prüfmethode gemessen und können herangezogen werden, um ein Werkzeug mit einem anderen zu vergleichen. Der angegebene Vibrationswert kann auch für eine vorläufige Einstufung der Freisetzung herangezogen werden.

Achtung! Der Vibrationswert beim eigentlichen Gebrauch des Elektrowerkzeugs kann vom angegebenen Wert abweichen. Dies hängt davon ab, auf welche Weise das Werkzeug verwendet wird. Der Vibrationswert kann über den angegebenen Wert hinaus ansteigen.

Bei der Einstufung der Vibrationen zur Festlegung der von 2002/44/EG geforderten Sicherheitsmaßnahmen zum Schutz von Personen, die beruflich regelmäßig mit Elektrowerkzeugen arbeiten, muß eine Vibrationseinstufung die tatsächlichen Gebrauchsbedingungen und die Art und Weise berücksichtigen, wie das Werkzeug verwendet wird. Auch müssen alle Aspekte des Arbeitszyklus berücksichtigt werden, wie beispielsweise die Zeiten, in denen das Werkzeug aus- und eingeschaltet ist und im Leerlauf läuft.

Schilder auf dem Gerät

Es befinden sich folgende Bildzeichen auf dem Gerät:



Achtung! Um die Verletzungsgefahr zu verringern, muß der Benutzer die Bedienungsanleitung lesen.



Tragen Sie bei der Verwendung dieses Geräts eine Schutzbrille!



Tragen Sie bei der Verwendung dieses Geräts einen Gehörschutz!

Elektrische Sicherheit



Dieses Gerät ist schutzisoliert, daher ist keine Erdleitung erforderlich. Überprüfen Sie immer, ob die Netzspannung der auf dem Typenschild des Elektrowerkzeuges angegebenen Spannung entspricht.

- ◆ Falls das Netzkabel beschädigt ist, so ist es vom Hersteller oder einem autorisierten Black & Decker Service Center auszutauschen, um Gefahren vorzubeugen.

Merkmale

Dieses Gerät weist einige oder alle der folgenden Merkmale auf.

1. Ein-/Aus-Schalter
2. Seitenhandgriff
3. Spindelarretierung
4. Schutzvorrichtung

Montage

Achtung! Vergewissern Sie sich vor der Montage, daß das Gerät ausgeschaltet ist und daß der Netzstecker gezogen wurde.

Anbringen und Entfernen der Schutzvorrichtung (Abb. A & B)

Das Werkzeug wird mit einer Schutzvorrichtung ausgeliefert, die nur für Schleifarbeiten gedacht ist. Falls mit dem Gerät Trennschneidarbeiten durchgeführt werden sollen, so muss eine speziell für diesen Zweck konstruierte Schutzvorrichtung angebracht werden. Eine geeignete Schutzvorrichtung für Trennschneidarbeiten mit der Teilenummer 1004484-00 & 1004484-01 sind bei den Black & Decker Servicecentern erhältlich.

Anbringen

- ◆ Legen Sie das Gerät mit der Spindel (5) nach obenweisend auf einen Tisch.

- ◆ Legen Sie den Federring (6) über die Spindel und auf den Ansatz (7).
- ◆ Bringen Sie die Schutzvorrichtung (4) gemäß der Abbildung am Gerät an.
- ◆ Legen Sie den Flansch (8) mit den herausragenden Stiften zur Schutzvorrichtung weisend über die Spindel. Stellen Sie sicher, daß die Bohrungen im Flansch genau über den Schraubenbohrungen liegen.
- ◆ Befestigen Sie den Flansch mit den Schrauben (9). Sorgen Sie dafür, daß die Schrauben fest angezogen sind und die Schutzvorrichtung gedreht werden kann.

Entfernen

- ◆ Entfernen Sie die Schrauben (9) mit einem Schraubendreher.
- ◆ Entfernen Sie den Flansch (8), die Schutzvorrichtung (4) und den Federring (7). Bewahren Sie diese Teile sorgfältig auf.

Achtung! Verwenden Sie das Gerät nie ohne den Handschutz.

Anbringen des Seitenhandgriffs

- ◆ Schrauben Sie den Seitenhandgriff (2) in eines der Befestigungslöcher im Gerät.

Achtung! Verwenden Sie stets den Seitenhandgriff.

Anbringen und Entfernen der Schleif- bzw. Trennscheiben (Abb. C - E)

Verwenden Sie stets den richtigen Scheibentyp für Ihre Anwendung. Verwenden Sie stets Scheiben mit dem richtigen Durchmesser und der richtigen Bohrungsgröße (siehe technische Daten).

Anbringen

- ◆ Bringen Sie die Schutzvorrichtung wie oben beschrieben an.
- ◆ Setzen Sie den Innenflansch (10) gemäß Abbildung auf die Spindel (5) (Abb. C). Stellen Sie sicher, daß der Flansch richtig auf den Flachseiten der Spindel sitzt.
- ◆ Setzen Sie die Scheibe (11) gemäß Abbildung auf die Spindel (5) (Abb. C). Falls die Scheibe eine Mittenerhebung (12) aufweist, stellen Sie sicher, daß die Mittenerhebung zum Innenflansch weist.
- ◆ Stellen Sie sicher, daß die Scheibe richtig auf dem Innenflansch sitzt.
- ◆ Setzen Sie den Außenflansch (13) auf die Spindel. Beim Anbringen einer Schleifscheibe muß die Mittenerhebung am Außenflansch zur Scheibe weisen (A in Abb. D). Beim Anbringen einer Trennscheibe muß die Mittenerhebung am Außenflansch von der Scheibe wegweisen (B in Abb. D).
- ◆ Halten Sie die Spindelarreterierung (3) gedrückt, und ziehen Sie den Außenflansch mit dem Gabelschlüssel (14) an (Abb. E).

Entfernen

- ◆ Halten Sie die Spindelarreterierung (3) gedrückt, und lösen Sie den Außenflansch (13) mit dem Gabelschlüssel (14) (Abb. E).
- ◆ Entfernen Sie den Außenflansch (13) und die Scheibe (11).

Anbringen und Entfernen von Schleifpapierscheiben (Abb. E & F)

Zum Schleifen mit Schleifpapierscheiben ist ein Schleifteller erforderlich. Der Schleifteller ist bei Ihrem Black & Decker Händler als Zubehör erhältlich.

Anbringen

- ◆ Setzen Sie den Innenflansch (10) gemäß Abbildung auf die Spindel (5) (Abb. F). Stellen Sie sicher, daß der Flansch richtig auf den Flachseiten der Spindel sitzt.
- ◆ Setzen Sie den Schleifteller (15) auf die Spindel.
- ◆ Setzen Sie die Schleifpapierscheibe (16) auf den Schleifteller.
- ◆ Setzen Sie den Außenflansch (13) mit der Mittenerhebung von der Scheibe wegweisend auf die Spindel.
- ◆ Halten Sie die Spindelarreterierung (3) gedrückt, und ziehen Sie den Außenflansch mit dem Gabelschlüssel (14) an (Abb. E). Vergewissern Sie sich, daß der Außenflansch richtig angebracht und die Scheibe fest eingespannt ist.

Entfernen

- ◆ Halten Sie die Spindelarreterierung (3) gedrückt, und lösen Sie den Außenflansch (13) mit dem Gabelschlüssel (14) (Abb. E).
- ◆ Entfernen Sie den Außenflansch (13), die Schleifpapierscheibe (16) und den Schleifteller (15).

Gebrauch

Achtung! Beschleunigen Sie den Arbeitsvorgang nicht mit Gewalt. Vermeiden Sie eine Überlastung des Gerätes.

- ◆ Führen Sie das Kabel sorgfältig, damit Sie es nicht versehentlich durchschneiden.
- ◆ Seien Sie auf ein Funkensprühen vorbereitet, sobald die Schleif- bzw. Trennscheibe das Werkstück berührt.
- ◆ Halten Sie das Werkzeug stets in einer Lage, in der die Schutzvorrichtung einen optimalen Schutz vor der Schleif- bzw. Trennscheibe bietet.

Ein- und Ausschalten

- ◆ Zum Einschalten schieben Sie den Ein-/Ausschalter (1) nach vorn. Beachten Sie, daß das Gerät nach dem Loslassen des Ein-/Ausschalters eingeschaltet bleibt.
- ◆ Zum Ausschalten drücken Sie auf den hinteren Teil des Ein-/Ausschalters.

Achtung! Schalten Sie das Gerät nicht unter Last aus.

Hinweise für optimale Arbeitsergebnisse

- ◆ Halten Sie das Gerät sicher mit der einen Hand am Seitenhandgriff und mit der anderen Hand am Haupthandgriff fest.
- ◆ Behalten Sie beim Schleifen immer einen Winkel von ca. 15 Grad zwischen der Scheibe und der Werkstückfläche bei.



Durch die getrennte Entsorgung gebrauchter Produkte und Verpackungen können die Materialien recycelt und wiederverwertet werden. Die Wiederverwertung recycelter Materialien schont die Umwelt und verringert die Nachfrage nach Rohstoffen.

Wartung

Ihr netz- oder akkubetriebenes Black & Decker Gerät/ Werkzeug wurde im Hinblick auf eine lange Lebensdauer und einen möglichst geringen Wartungsaufwand entwickelt. Ein dauerhafter, einwandfreier Betrieb setzt eine regelmäßige Pflege und Reinigung voraus.

Achtung! Vor der Durchführung von Wartungsarbeiten an Elektrogeräten/-werkzeugen mit oder ohne Netzleitung:

- ◆ Schalten Sie das Gerät/Werkzeug aus und ziehen Sie den Netzstecker.
- ◆ Oder schalten Sie das Gerät aus und entfernen Sie den Akku aus dem Gerät/Werkzeug, falls das Gerät/Werkzeug einen eigenen Akku hat.
- ◆ Oder lassen Sie den Akku vollkommen leerlaufen, falls dieser im Gerät eingebaut ist. Schalten Sie das Gerät dann aus.
- ◆ Ziehen Sie den Netzstecker des Ladegeräts aus der Steckdose, bevor Sie es reinigen. Ihr Ladegerät bedarf keinerlei Wartung außer einer regelmäßigen Reinigung.
- ◆ Reinigen Sie regelmäßig die Lüftungsschlitze im Gerät/ Werkzeug/Ladegerät mit Hilfe einer weichen Bürste oder eines trockenen Lappens.
- ◆ Reinigen Sie regelmäßig das Motorgehäuse mit Hilfe eines feuchten Lappens. Verwenden Sie keine scheuernden Reinigungsmittel oder Reinigungsmittel auf Lösungsmittelbasis.
- ◆ Reinigen Sie regelmäßig das Spannfutter (falls angebracht), indem Sie es öffnen und durch leichtes Klopfen den Staub aus dem Inneren entfernen.

Die regionalen Bestimmungen schreiben unter Umständen die getrennte Entsorgung elektrischer Produkte aus dem Haushalt an Sammelstellen oder seitens des Händlers vor, bei dem Sie das neue Produkt erworben haben.

Black & Decker nimmt Ihre ausgedienten Black & Decker Geräte gern zurück und sorgt für eine umweltfreundliche Entsorgung und Wiederverwertung. Um diesen Dienst zu nutzen, schicken Sie bitte Ihr Produkt zu einer Vertragswerkstatt. Hier wird es dann auf unsere Kosten gesammelt.

Die Adresse der zuständigen Black & Decker Vertretung steht in diesem Handbuch, darüber läßt sich die nächstgelegene Vertragswerkstatt ermitteln. Außerdem ist eine Liste der Vertragswerkstätten und aller Kundendienststellen von Black & Decker sowie der zuständigen Ansprechpartner im Internet zu finden unter: www.2helpU.com

Technische Daten

		AST15	KG725	KG900
		TYPE 2	TYPE 2	TYPE 2
Spannung	V _{AC}	230	230	230
Leistungsaufnahme	W	900	701	900
Leerlaufdrehzahl	min ⁻¹	10.000	10.000	10.000
Scheibendurchmesser	mm	115	125	100
Scheibenbohrung	mm	22	22	16
Maximal Scheibenstärke				
Schleifscheiben	mm	6	6	6
Trennscheiben	mm	3,5	3,5	3,5
Spindelgröße		M14	M14	M10
Gewicht	kg	2,1	2,1	2,1

		KG915	KG925
		TYPE 2	TYPE 2
Spannung	V _{AC}	230	230
Leistungsaufnahme	W	900	900
Leerlaufdrehzahl	min ⁻¹	10.000	10.000
Scheibendurchmesser	mm	115	125
Scheibenbohrung	mm	22	22
Maximal Scheibenstärke			
Schleifscheiben	mm	6	6
Trennscheiben	mm	3,5	3,5
Spindelgröße		M14	M14
Gewicht	kg	2,1	2,1

Umweltschutz



Getrennte Entsorgung. Dieses Produkt darf nicht über den normalen Hausmüll entsorgt werden.

Sollte Ihr Black & Decker Produkt eines Tages erneuert werden müssen, oder falls Sie es nicht weiter verwenden wollen, so darf es nicht über den Hausmüll entsorgt werden. Stellen Sie dieses Produkt zur getrennten Entsorgung bereit.

Höhe des Schalldrucks gemäß EN 60745:Schalldruck (L_{pA}) 91 dB(A), Unsicherheitsfaktor (K) 3 dB(A)Schalleistung (L_{WA}) 102 dB(A), Unsicherheitsfaktor (K) 3 dB(A)**Gesamtvibrationswerte (Triax-Vektorsumme) gemäß EN 60745:**Oberflächenschleifen ($a_{h,AG}$) 7 m/s², Unsicherheitsfaktor (K) 1,5 m/s²Trennarbeiten ($a_{h,T}$) 2,5 m/s², Unsicherheitsfaktor (K) 1,5 m/s²**EG-Konformitätserklärung**
MASCHINENRICHTLINIE

AST15/KG725/KG900/KG915/KG925

Black & Decker erklärt, daß diese unter "Technische Daten" beschriebenen Produkte folgende Richtlinien erfüllen:
98/37/EG (bis 28. Dez. 2009), 2006/42/EG
(ab 29. Dez. 2009), EN 60745-1, EN 60745-2-3

Wenden Sie sich für weitere Informationen bitte an folgende Black & Decker Anschrift bzw. an die hinten im Handbuch angegebene Anschrift.

Der Unterzeichnete ist für die Zusammenstellung der technischen Datei verantwortlich und gibt diese Erklärung im Namen von Black & Decker ab.

Kevin Hewitt
Vice-President Global Engineering
Black & Decker Europe, 210 Bath Road, Slough,
Berkshire, SL1 3YD
Vereinigtes Königreich
30-9-2009

- ◆ wenn das Gerät gewerblich, beruflich oder im Verleihgeschäft benutzt wurde;
- ◆ wenn das Gerät mißbräuchlich verwendet oder mit mangelnder Sorgfalt behandelt wurde;
- ◆ wenn das Gerät durch irgendwelche Fremdeinwirkung beschädigt wurde;
- ◆ wenn ein unbefugter Reparaturversuch durch anderes Personal als das einer Vertragswerkstatt oder des Black & Decker-Kundendienstes unternommen wurde.

Zur Inanspruchnahme dieser Garantie ist dem Verkäufer bzw. der Vertragswerkstatt ein Kaufnachweis vorzulegen. Der Kaufnachweis muß Kaufdatum und Gerätetyp bescheinigen. Die Adresse des zuständigen Büros von Black & Decker steht in dieser Anleitung, darüber läßt sich die nächstgelegene Vertragswerkstatt ermitteln. Außerdem ist eine Liste der Vertragswerkstätten und aller Kundendienststellen von Black & Decker sowie der zuständigen Ansprechpartner im Internet zu finden unter: **www.2helpU.com**

Bitte besuchen Sie unsere Webseite **www.blackanddecker.de**, um Ihr neues Black & Decker Produkt zu registrieren und über neue Produkte und Sonderangebote aktuell informiert zu werden. Weitere Informationen über die Marke Black & Decker und unsere Produkte finden Sie unter **www.blackanddecker.de**

Garantie

Black & Decker vertraut auf die Qualität der eigenen Geräte und bietet dem Käufer eine außergewöhnliche Garantie. Diese Garantiezusage versteht sich unbeschadet der gesetzlichen Gewährleistungsansprüche und schränkt diese keinesfalls ein. Sie gilt in sämtlichen Mitgliedsstaaten der Europäischen Union und der Europäischen Freihandelszone EFTA.

Tritt innerhalb von 24 Monaten ab Kaufdatum an einem Gerät von Black & Decker ein auf Material- oder Verarbeitungsfehler zurückzuführender Mangel auf, garantiert Black & Decker den Austausch defekter Teile, die Reparatur von Geräten mit üblichem Verschleiß bzw. den Austausch eines mangelhaften Geräts, ohne den Kunden dabei mehr als unbedingt nötig in Anspruch zu nehmen, allerdings vorbehaltlich folgender Ausnahmen:

Utilisation prévue

Votre meuleuse d'angle Black & Decker a été conçue pour découper le métal et le béton avec des disques de tronçonnage ou de meulage spécifiques. Cet outil a été conçu pour une utilisation exclusivement domestique.

Instructions de sécurité

Consignes de sécurité générales pour les outils électriques



Attention ! Prenez connaissance de tous les avertissements de sécurité et de toutes les instructions. Le non-respect des avertissements et des instructions indiqués ci-dessous peut entraîner une électrocution, un incendie ou de graves blessures.

Conservez tous les avertissements et instructions pour référence future. La notion d'« outil électroportatif » mentionnée par la suite se rapporte à des outils électriques raccordés au secteur (avec câble de raccordement) ou fonctionnant sur piles (sans fil).

1. **Sécurité de la zone de travail**
 - a. **Maintenez la zone de travail propre et bien éclairée.**
Un lieu de travail en désordre ou mal éclairé augmente le risque d'accidents.
 - b. **N'utilisez pas les outils électroportatifs dans un environnement présentant des risques d'explosion ni en présence de liquides, gaz ou poussières inflammables.** Les outils électroportatifs génèrent des étincelles risquant d'enflammer les poussières ou les vapeurs.
 - c. **Tenez les enfants et autres personnes éloignés durant l'utilisation de l'outil électroportatif.** En cas d'inattention, vous risquez de perdre le contrôle sur l'outil.
2. **Sécurité électrique**
 - a. **La fiche de secteur de l'outil électroportatif doit convenir à la prise de courant. Ne modifiez en aucun cas la fiche. N'utilisez pas de fiches d'adaptateur avec des outils ayant une prise de terre.** Les fiches non modifiées et les prises de courant appropriées réduisent le risque d'électrocution.
 - b. **Évitez le contact physique avec des surfaces mises à la terre telles que tuyaux, radiateurs, fours et réfrigérateurs.** Il y a un risque élevé d'électrocution si votre corps est relié à la terre.
 - c. **N'exposez pas l'outil électroportatif à la pluie ni à l'humidité.** La pénétration d'eau dans un outil électroportatif augmente le risque d'électrocution.
 - d. **Préservez le câble d'alimentation. N'utilisez pas le câble à d'autres fins que celles prévues, notamment pour porter l'outil, l'accrocher voire le débrancher de la prise de courant. Maintenez le câble éloigné des sources de chaleur, des parties grasses, des bords tranchants ou des parties de l'outil en rotation.** Un câble endommagé ou enchevêtré augmente le risque d'électrocution.
 - e. **Si vous utilisez l'outil électroportatif à l'extérieur, utilisez une rallonge homologuée pour utilisation à l'air libre.** L'utilisation d'une rallonge électrique homologuée pour les applications extérieures réduit le risque d'électrocution.
 - f. **Si l'usage d'un outil dans un emplacement humide est inévitable, utilisez une alimentation protégée par un dispositif à courant différentiel résiduel (RCD).** L'usage d'un RCD réduit le risque de choc électrique.
3. **Sécurité personnelle**
 - a. **Restez vigilant, surveillez ce que vous faites. Faites preuve de bon sens quand vous utilisez l'outil électroportatif. N'utilisez pas l'outil lorsque vous êtes fatigué ou après avoir consommé de l'alcool, des drogues voire des médicaments.** Un moment d'inattention lors de l'utilisation de l'outil peut entraîner de graves blessures.
 - b. **Utilisez un équipement de protection personnelle. Portez toujours une protection pour les yeux.** Les équipements de protection personnelle tels que les masques anti-poussières, chaussures de sécurité antidérapantes, casques ou protections acoustiques utilisés dans des conditions appropriées réduisent les blessures.
 - c. **Évitez toute mise en marche involontaire. Vérifiez que l'interrupteur est en position arrêté avant de brancher l'outil au secteur ou au bloc de batteries, de le prendre ou de le porter.** Transporter les outils en avec le doigt sur l'interrupteur ou les brancher avec l'interrupteur en position de marche est une source d'accidents.
 - d. **Enlevez tout outil ou clé de réglage avant de mettre l'outil en marche.** Une clé ou un outil se trouvant sur une partie en rotation peut causer des blessures.
 - e. **Adoptez une position confortable. Adoptez une position stable et gardez votre équilibre à tout moment.** Vous contrôlerez mieux l'outil dans des situations inattendues.
 - f. **Portez des vêtements appropriés. Ne portez pas de vêtements flottants ou de bijoux. N'approchez pas les cheveux, vêtements ou gants des parties des pièces mobiles.** Les vêtements amples, les bijoux ou les cheveux longs peuvent être attrapés dans les pièces en mouvement.

- g. Si des dispositifs servant à aspirer ou à recueillir les poussières doivent être utilisés, vérifiez qu'ils sont correctement raccordés et utilisés. Le fait d'aspirer la poussière permet de réduire les risques inhérents à la poussière.
4. **Utilisation des outils électroportatifs et précautions**
- a. **Ne surchargez pas l'outil. Utilisez l'outil électroportatif approprié pour le travail à effectuer.** Avec l'outil électroportatif approprié, vous travaillerez mieux et avec plus de sécurité à la vitesse pour laquelle il a été conçu.
- b. **N'utilisez pas un outil électroportatif dont l'interrupteur est défectueux.** Un outil électroportatif qui ne peut plus être mis en ou hors fonctionnement est dangereux et doit être réparé.
- c. **Déconnectez la prise de la source d'alimentation ou le pack-batterie de l'outil électrique avant tout réglage, changement d'accessoire voire rangement des outils électriques.** Cette mesure de précaution empêche une mise en marche par mégarde.
- d. **Rangez les outils électroportatifs hors de portée des enfants. Ne laissez pas les personnes n'étant pas familiarisées avec l'outil ou n'ayant pas lu ces instructions l'utiliser.** Les outils électroportatifs sont dangereux lorsqu'ils sont utilisés par des personnes non initiées.
- e. **Prenez soin des outils électroportatifs. Vérifiez que les parties en mouvement fonctionnent correctement et qu'elles ne sont pas coincées ; vérifiez qu'il n'y a pas de pièces cassées ou endommagées susceptibles de nuire au bon fonctionnement de l'outil. S'il est endommagé, faites réparer l'outil avant de l'utiliser.** De nombreux accidents sont dus à des outils électroportatifs mal entretenus.
- f. **Maintenez les outils de coupe aiguisés et propres.** Des outils soigneusement entretenus avec des bords tranchants bien aiguisés se coincent moins souvent et peuvent être guidés plus facilement.
- g. **Utilisez l'outil électrique, les accessoires et forets, etc. conformément à ces instructions, en tenant compte des conditions de travail et des tâches à effectuer.** L'utilisation des outils électroportatifs à d'autres fins que celles prévues peut entraîner des situations dangereuses.
5. **Réparations**
- a. **Faites réparer votre outil électroportatif uniquement par du personnel qualifié et seulement avec des pièces de rechange d'origine.** Cela garantira le maintien de la sécurité de votre outil.

Avertissements de sécurité additionnels pour les outils électriques



Attention ! Avertissements de sécurité additionnels pour les opérations de meulage, de ponçage, de brosseuse, de polissage ou de tronçonnage par abrasion.

- ◆ **Cet outil électrique est conçu pour être utilisé comme une meuleuse, une ponceuse, une brosse métallique, une polisseuse et une tronçonneuse. Lisez tous les avertissements de sécurité, instructions, illustrations et spécifications fournis avec cet outil électrique.**
Le non-respect des instructions indiquées ci-dessous peut entraîner une électrocution, un incendie ou de graves blessures.
- ◆ **Les opérations pour lesquelles cet outil électrique n'a pas été conçu sont des sources de dangers et de blessures.**
- ◆ **Utilisez uniquement les accessoires spécifiquement conçus et recommandés par le fabricant de l'outil.** Il ne suffit pas qu'un accessoire soit adaptable sur votre outil électrique pour assurer son utilisation en toute sécurité.
- ◆ **La vitesse nominale de l'accessoire doit être au moins égale à la vitesse maximum mentionnée sur l'outil électrique.** Les accessoires dépassant leur vitesse nominale peuvent se rompre et être projetés.
- ◆ **Le diamètre extérieur et l'épaisseur de votre accessoire doivent respecter la capacité nominale de votre outil électrique.** Des accessoires d'une taille incorrecte ne peuvent bénéficier d'une protection et d'un contrôle adéquats.
- ◆ **L'alésage des roues, brides, tampons de support ou autres accessoires doit s'adapter correctement à l'axe de l'outil électrique.** Les accessoires dont l'alésage ne correspond pas au système de fixation de l'outil électrique sont déséquilibrés, vibrent excessivement et peuvent causer une perte de contrôle.
- ◆ **N'utilisez pas un accessoire endommagé.**
Avant chaque utilisation, vérifiez l'état de l'accessoire : disque abrasif ébréché ou fissuré, tampon de support fissuré, usure ou dégâts excessifs, brosse métallique aux fils libres ou cassés. Si l'outil électrique ou l'accessoire tombe, vérifiez son état ou installez un accessoire en parfait état. Après l'inspection et l'installation d'un accessoire, faites marcher l'outil électrique à la vitesse maximum à vide pendant une minute. Un accessoire endommagé casse normalement après ce délai de test.

- ◆ **Portez un équipement de protection personnelle.** Selon l'application, utilisez un écran facial, un masque de sécurité ou des lunettes de sécurité. Selon les besoins, portez un masque anti-poussière, une protection auditive, des gants et un tablier d'atelier capable de stopper de petits fragments générés par l'abrasion ou de la pièce à ouvrir. La protection oculaire doit pouvoir arrêter les débris projetés par les diverses opérations. Le masque anti-poussière ou le respirateur doit pouvoir filtrer les particules générées par l'opération. Une exposition prolongée à des bruits d'une intensité élevée peut engendrer une perte de l'audition.
- ◆ **Maintenez les passants à distance de sécurité de la zone de travail.** Quiconque pénétrant dans la zone de travail doit porter un équipement de protection personnelle. Des fragments de pièce à ouvrir ou un accessoire cassé peuvent être projetés et blesser au-delà de la zone de travail immédiate.
- ◆ **Tenez l'outil électrique uniquement par les surfaces isolées des poignées si l'opération effectuée peut mettre la lame en contact avec des câbles électriques cachés ou son propre cordon électrique.** Le contact de l'accessoire de coupe avec un câble sous tension met les parties métalliques de l'outil électrique sous tension et peut provoquer une électrocution de l'utilisateur.
- ◆ **Positionnez le cordon à l'écart de l'accessoire en rotation.** Si vous perdez le contrôle, le cordon peut être coupé ou attrapé et votre main ou votre bras être attiré dans l'accessoire en rotation.
- ◆ **Ne posez jamais l'outil électrique tant que l'accessoire ne s'est pas arrêté complètement.** L'accessoire en rotation peut toucher la surface et faire échapper l'outil électrique à votre contrôle.
- ◆ **N'utilisez pas l'outil électrique en le tenant à vos côtés.** Un contact accidentel avec l'accessoire en rotation pourrait attraper vos vêtements et attirer l'accessoire vers votre corps.
- ◆ **Nettoyez régulièrement les fentes de ventilation de l'outil électrique.** Le ventilateur du moteur attire la poussière à l'intérieur du carter et une accumulation excessive de poudre métallique est une source de dangers électriques.
- ◆ **N'utilisez pas l'outil électrique près de matériaux inflammables.** Des étincelles pourraient enflammer ces matériaux.
- ◆ **N'utilisez aucun accessoire nécessitant un liquide de refroidissement.** L'emploi d'eau ou d'autres liquides de refroidissement peut occasionner une électrocution ou un choc.

Contrecoup et avertissements associés

Le contrecoup est une réaction soudaine d'un disque, d'un tampon de support, d'une brosse ou de tout autre accessoire en rotation pincé ou attrapé. Le pincement ou le blocage entraîne un calage rapide de l'accessoire en rotation ce qui provoque une perte de contrôle de l'outil électrique qui est forcé dans le sens opposé à la rotation de l'accessoire à l'endroit du blocage.

Par exemple, si un disque abrasif est attrapé ou pincé par la pièce à ouvrir, le bord du disque inséré dans le point de pincement peut s'enfoncer dans la surface du matériau, faisant sauter ou remonter le disque. Le disque peut être soit projeté en avant, soit s'éloigner de l'opérateur, selon le sens de rotation du disque à l'endroit du pincement. Dans ces conditions, un disque abrasif peut même se casser.

Le contrecoup est le résultat d'une utilisation inappropriée de l'outil électrique voire de procédures ou de conditions d'utilisation incorrectes. Il peut être évité en appliquant les précautions adéquates, décrites ci-dessous:

- ◆ **Maintenez une prise ferme sur l'outil électrique et positionnez votre corps et votre bras afin de disposer d'une force suffisante pour résister aux contrecoups. Utilisez toujours la poignée auxiliaire, le cas échéant, pour disposer d'un contrôle maximum sur le contrecoup ou sur la réaction du couple au démarrage.** L'opérateur peut contrôler les réactions du couple et les forces de contrecoup si les précautions adaptées sont respectées.
- ◆ **Ne placez jamais votre main à proximité de l'accessoire rotation.** Le contrecoup de l'accessoire peut toucher votre main.
- ◆ **Ne positionnez jamais votre corps dans la zone où l'outil électrique peut se déplacer en cas de contrecoup.** Le contrecoup propulse l'outil dans le sens opposé à la rotation du disque au point de blocage.
- ◆ **Faites spécialement attention en travaillant dans les angles, les arêtes, etc. Évitez toute secousse et tout blocage de l'accessoire.** Les angles, les arêtes et les secousses ont tendance à bloquer l'accessoire en rotation et peuvent vous faire perdre le contrôle ou générer un contrecoup.
- ◆ **Ne montez pas une chaîne de coupe, une lame à sculpter le bois ou une lame de scie dentée.** Ce type de lames génère fréquemment des contrecoups et des pertes de contrôle.

Remarque : l'avertissement précédent ne concerne pas les outils électriques spécialement conçus pour être utilisés avec un système liquide.

Instructions de sécurité additionnelles pour les opérations de meulage et de tronçonnage

Avertissements de sécurité spécifiques pour les opérations de meulage et de tronçonnage

- ◆ **Utilisez uniquement les disques recommandés pour votre outil électrique et le carter de protection spécifiquement conçu pour le disque choisi.** Les disques pour lesquels l'outil électrique n'a pas été conçu ne peuvent être protégés correctement et constituent donc une source de risque.
- ◆ **Le carter de protection doit être fermement fixé sur l'outil électrique et positionné afin de maximiser la sécurité en minimisant la partie du disque à laquelle l'opérateur est exposé.** Le carter de protection contribue à la protection de l'opérateur contre les fragments de disque cassés et tout contact accidentel avec le disque.
- ◆ **Les disques doivent être utilisés uniquement pour les applications recommandées. Par exemple : ne meulez pas avec le côté d'un disque de tronçonnage.** Les disques abrasifs sont destinés au meulage périphérique. Le fait de leur appliquer des forces latérales peut les briser.
- ◆ **Utilisez toujours des brides de disque en parfait état et présentant une taille et une forme adaptées au disque sélectionné.** Les brides de disque adaptées soutiennent le disque et réduisent donc le risque de rupture du disque. Les brides des disques de tronçonnage peuvent être différentes de celles des disques de meulage.
- ◆ **N'utilisez pas le disque usé d'un outil électrique plus grand.** Les disques conçus pour un outil plus grand ne sont pas adaptés aux régimes plus élevés des outils plus petits et peuvent donc exploser.

Avertissements de sécurité additionnels spécifiques aux opérations de tronçonnage par abrasion

- ◆ **Ne bloquez pas le disque de tronçonnage et n'appliquez pas de pression excessive. N'essayez pas d'effectuer une coupe d'une profondeur excessive.** Une pression excessive sur le disque augmente la charge, donc le risque de torsion ou de blocage du disque dans la coupe et, par conséquent, la possibilité de contrecoup ou de rupture du disque.
- ◆ **Ne positionnez pas votre corps aligné ou derrière le disque en rotation.** Lorsque le disque, au point d'opération, s'écarte de votre corps, le contrecoup potentiel peut propulser le disque en rotation avec l'outil électrique directement vers vous.
- ◆ **Lorsque le disque bloqué ou en cas d'interruption d'une coupe pour une raison quelconque, arrêtez l'outil électrique et maintenez-le immobile jusqu'à l'arrêt complet du disque. N'essayez jamais de retirer un disque tronçonnage de la coupe alors qu'il est encore en rotation sinon un contrecoup est possible.**

Déterminez pourquoi le disque s'est coincé et corrigez le problème.

- ◆ **Ne recommencez pas à l'opération de coupe dans la pièce à ouvrir. Laissez le disque atteindre sa vitesse maximum puis entrez à nouveau dans la coupe avec précaution.** Le disque peut se pincer, remonter ou générer un contrecoup si l'outil électrique est redémarré dans la pièce à ouvrir.
- ◆ **Soutenez les panneaux ou les pièces à ouvrir de grande taille afin de minimiser le risque de pincement et de contrecoup du disque.** Les grandes pièces à ouvrir ont tendance à s'arquer sous leur propre poids. La pièce à ouvrir doit être soutenue des deux côtés par des supports près de la fente de scie ainsi qu'aux bords, de chaque côté du disque.
- ◆ **Faites preuve d'une prudence particulière pour effectuer une « découpe en poche » dans les murs préexistants ou autres parties non apparentes.** Le disque saillant peut couper les conduites de gaz ou d'eau, le câblage électrique ou d'autres objets susceptibles de générer un contrecoup.

Avertissements de sécurité spécifiques aux opérations de ponçage

- ◆ **N'utilisez pas un papier de ponçage surdimensionné. Suivez les recommandations du fabricant pour le choix du papier de ponçage.** Un papier de ponçage plus grand, dépassant du patin de ponçage, présente un risque de laceration et peut attraper ou casser le disque voire engendrer un contrecoup.

Avertissements de sécurité spécifiques aux opérations de polissage

- ◆ **Ne laissez aucune partie libre du chapeau de polissage ou ses cordons de fixation tourner librement. Écartez ou coupez tout cordon de fixation libre.** Un cordon de fixation libre en rotation peut s'enchevêtrer avec vos doigts ou attraper la pièce à ouvrir.

Avertissements de sécurité spécifiques aux opérations de brosse

- ◆ **Notez que des brins métalliques sont projetés par la brosse même pendant le fonctionnement normal. Ne forcez pas les fils en appliquant une pression excessive sur la brosse.** Les brins métalliques peuvent facilement pénétrer sous les vêtements ou la peau.
- ◆ **Si l'emploi d'une protection est recommandé avec la brosse métallique, aucun élément du disque ou de la brosse ne doit interférer avec la protection.** Le disque ou la brosse métallique peut voir son diamètre s'agrandir en raison de la charge de travail et des forces centrifuges.

Sécurité des tiers

- ◆ Cet appareil n'est pas destiné à être utilisé par des personnes (notamment des enfants) présentant des capacités physiques, sensorielles ou mentales limitées voire dépourvues de connaissance et d'expérience, sauf si elles sont supervisées ou ont reçu des instructions pour l'usage de l'appareil par une personne responsable de leur sécurité.
- ◆ Les enfants ne doivent pas jouer avec l'appareil.

Vibration

Les valeurs des émissions de vibrations mentionnées dans les données techniques et la déclaration de conformité ont été mesurées conformément à la méthode de test normalisée indiquée par EN 60745 et permettent les comparaisons entre outils. Les valeurs des émissions de vibrations peuvent également servir à une évaluation préliminaire de l'exposition.

Attention ! Les valeurs des émissions de vibrations en utilisant réellement l'outil peuvent différer des valeurs déclarées en fonction du mode d'usage de l'outil. Le niveau de vibration peut dépasser le niveau indiqué.

Pour évaluer l'exposition aux vibrations afin de déterminer les mesures de sécurité imposées par 2002/44/CE pour protéger les personnes utilisant régulièrement des outils électriques, une estimation de l'exposition aux vibrations devrait prendre en compte les conditions réelles et le mode d'utilisation de l'outil, notamment l'ensemble du cycle de fonctionnement ainsi l'arrêt de l'outil et son fonctionnement au ralenti, outre le démarrage.

Étiquettes apposées sur l'outil

Les pictogrammes suivants sont présents sur l'outil :



Attention ! Afin de réduire les risques de blessures, l'utilisateur doit lire le manuel d'instructions.



Portez des lunettes de sécurité lorsque vous utilisez cet outil.



Portez des protections auditives lorsque vous utilisez cet outil.

Sécurité électrique



L'outil est doublement isolé ; par conséquent, aucun câble de masse n'est nécessaire. Vérifiez si le voltage mentionné sur la plaque signalétique de la machine correspond bien à la tension de secteur présente sur lieu.

- ◆ Si le câble d'alimentation est endommagé, il doit être remplacé par le fabricant ou par un centre de réparation agréé Black & Decker afin d'éviter tout accident.

Caractéristiques

Cet outil comprend toutes ou certaines des caractéristiques suivantes.

1. Interrupteur marche/arrêt
2. Poignée latérale
3. Verrouillage de l'arbre
4. Carter de protection

Assemblage

Attention ! Avant l'assemblage, assurez-vous que l'outil est éteint et débranché.

Installation et retrait du carter de protection (fig. A & B)

L'outil est fourni avec un carter de protection réservé à des fins de meulage. Si l'unité doit être employée pour des opérations de découpe, un carter de protection spécifique doit être installé. Un carter de protection pour les opérations de découpe référence 1004484-00 & 1004484-01 sont disponibles et peut être obtenu auprès des centres d'entretien Black & Decker.

Installation

- ◆ Placez l'outil sur une table, arbre (5) tourné vers le haut.
- ◆ Placez la rondelle à ressort (6) sur l'arbre et engagez-la dans l'épaulement (7).
- ◆ Placez le carter de protection (4) sur l'outil selon le schéma.
- ◆ Placez la bride (8) sur l'arbre avec les lèvres protubérantes dirigées vers le carter. Assurez-vous que les orifices de la bride sont alignés avec ceux des vis.
- ◆ Fixez la bride avec les vis (9). Vérifiez que les vis sont bien serrées et que le carter de protection peut tourner.

Retrait

- ◆ Utilisez un tournevis pour enlever les vis (9).
- ◆ Retirez la bride (8), le carter de protection (4) et la rondelle à ressort (7). Rangez ces pièces dans un endroit sûr.

Attention ! N'utilisez pas l'outil sans carter de protection.

Installation de la poignée latérale

- ◆ Vissez la poignée latérale (2) dans l'un des orifices de montage de l'outil.

Attention ! Utilisez toujours la poignée latérale.

Installation et retrait des disques de meulage ou de tronçonnage (fig. C - E)

Utilisez toujours le type de disque adapté à votre application. Utilisez toujours des disques présentant un diamètre et un alésage de dimension correcte (voir caractéristiques techniques).

Installation

- ◆ Installez le carter de protection comme indiqué ci-dessus.
- ◆ Placez la bride intérieure (10) sur l'arbre (5) comme indiqué (fig. C). Assurez-vous que la bride est bien en place sur les côtés plats de l'arbre.
- ◆ Placez le disque (11) sur l'arbre (5) comme indiqué (fig. C). Si le disque comporte un centre surélevé (12), assurez-vous qu'il est bien en face de la bride intérieure.
- ◆ Assurez-vous que le disque est bien en place sur la bride intérieure.
- ◆ Placez la bride extérieure (13) sur l'arbre. Lors du montage du disque de meulage, le centre surélevé sur la bride extérieure doit faire face au disque (A dans fig. D). Lors du montage du disque de tronçonnage, le centre surélevé sur la bride extérieure doit être opposé au disque (B dans fig. D).
- ◆ Appuyez sur le verrouillage de l'arbre (3) et serrez la bride extérieure à l'aide de la clé à deux griffes (14) (fig. E).

Retrait

- ◆ Appuyez sur le verrouillage de l'arbre (3) et desserrez la bride extérieure (13) à l'aide de la clé à deux griffes (14) (fig. E).
- ◆ Enlevez la bride extérieure (13) et le disque (11).

Installation et retrait des disques de ponçage (fig. E & F)

Il est nécessaire d'utiliser un tampon de support pour le ponçage. Vous pouvez vous procurer un tampon de support auprès d'un revendeur Black & Decker.

Installation

- ◆ Placez la bride intérieure (10) sur l'arbre (5) comme indiqué (fig. F). Assurez-vous que la bride est bien en place sur les côtés plats de l'arbre.
- ◆ Placez le tampon de support (15) sur l'arbre.
- ◆ Placez le disque de ponçage (16) sur le tampon de support.
- ◆ Placez la bride extérieure (13) sur l'arbre avec le centre surélevé face opposée à celle du disque.
- ◆ Appuyez sur le verrouillage de l'arbre (3) et serrez la bride extérieure à l'aide de la clé à deux griffes (14) (fig. E). Vérifiez que la bride extérieure est correctement posée et que le disque est fermement fixé.

Retrait

- ◆ Appuyez sur le verrouillage de l'arbre (3) et desserrez la bride extérieure (13) à l'aide de la clé à deux griffes (14) (fig. E).
- ◆ Enlevez la bride extérieure (13), le disque de ponçage (16) et le tampon de support (15).

Utilisation

Attention ! Laissez l'outil fonctionner à sa propre vitesse. Ne le surchargez pas.

- ◆ Guidez le câble avec soin pour ne pas le couper par mégarde.
- ◆ Attendez-vous à un jet d'étincelles lorsque le disque de meulage ou de tronçonnage touche la pièce à travailler.
- ◆ Placez toujours l'outil de telle sorte que le carter de protection puisse vous protéger au maximum du disque de meulage ou de tronçonnage.

Démarrage et arrêt

- ◆ Pour mettre en marche, faites glisser l'interrupteur de marche/arrêt (1) en avant. Vous remarquerez que l'outil continue à fonctionner lorsque vous relâchez l'interrupteur.
- ◆ Pour éteindre, appuyez sur la partie arrière de l'interrupteur de marche/arrêt.

Attention ! N'éteignez pas l'outil lorsqu'il est encore en charge.

Conseils pour une utilisation optimale

- ◆ Tenez l'outil fermement avec une main sur la poignée latérale et l'autre autour de la poignée principale.
- ◆ Lors du meulage, conservez toujours un angle d'environ 15° entre le disque et la surface de la pièce à ouvrir.

Entretien

Votre appareil/outil Black & Decker avec/sans fil a été conçu pour fonctionner pendant longtemps avec un minimum d'entretien. Un fonctionnement continu satisfaisant dépend d'un nettoyage régulier et d'un entretien approprié de l'outil.

Attention ! Avant toute activité d'entretien sur les outils électriques avec/sans fil :

- ◆ Eteignez et débranchez l'appareil/l'outil.
- ◆ Ou coupez et retirez la batterie de l'appareil/outil s'il comporte un pack-batterie séparé.
- ◆ Voir épuisez complètement la batterie si elle est intégrée puis mettez hors tension.
- ◆ Débranchez le chargeur avant de le nettoyer. Votre chargeur ne nécessite aucun autre entretien qu'un nettoyage régulier.
- ◆ Nettoyez régulièrement les fentes de ventilation de votre outil/appareil/chargeur à l'aide d'une brosse douce ou d'un chiffon sec.
- ◆ Nettoyez régulièrement le carter moteur à l'aide d'un chiffon humide. N'utilisez pas de produit abrasif ou à base de solvant.
- ◆ Ouvrez régulièrement le mandrin (le cas échéant) et tapotez dessus pour retirer toute poussière à l'intérieur.

Protection de l'environnement



Collecte séparée. Ce produit ne doit pas être jeté avec les déchets domestiques normaux.

Si vous décidez de remplacer ce produit Black & Decker, ou si vous n'en avez plus l'utilité, ne le jetez pas avec vos déchets domestiques. Rendez-le disponible pour une collecte séparée.



La collecte séparée des produits et emballages usés permet le recyclage des articles afin de les utiliser à nouveau. Le fait d'utiliser à nouveau des produits recyclés permet d'éviter la pollution environnementale et de réduire la demande de matières premières.

Les réglementations locales peuvent permettre la collecte séparée des produits électriques du foyer, dans des déchetteries municipales ou auprès du revendeur vous ayant vendu votre nouveau produit.

Black & Decker fournit un dispositif permettant de collecter et de recycler les produits Black & Decker lorsqu'ils ont atteint la fin de leur cycle de vie. Pour pouvoir profiter de ce service, veuillez retourner votre produit à un réparateur agréé qui se chargera de le collecter pour nous.

Pour connaître l'adresse du réparateur agréé le plus proche de chez vous, contactez le bureau Black & Decker à l'adresse indiquée dans ce manuel. Vous pourrez aussi trouver une liste des réparateurs agréés de Black & Decker et de plus amples détails sur notre service après-vente sur le site Internet à l'adresse suivante : www.2helpU.com

Caractéristiques techniques

		AST15 TYPE 2	KG725 TYPE 2	KG900 TYPE 2
Tension	V_{AC}	230	230	230
Puissance absorbée	W	900	701	900
Vitesse à vide	min^{-1}	10.000	10.000	10.000
Diamètre du disque	mm	115	125	100
Alésage du disque	mm	22	22	16
Épaisseur max. du disque				
disques de meulage	mm	6	6	6
disques de tronçonnage	mm	3,5	3,5	3,5
Taille de l'arbre		M14	M14	M10
Poids	kg	2,1	2,1	2,1

		KG915 TYPE 2	KG925 TYPE 2
Tension	V_{AC}	230	230
Puissance absorbée	W	900	900
Vitesse à vide	min^{-1}	10.000	10.000
Diamètre du disque	mm	115	125
Alésage du disque	mm	22	22
Épaisseur max. du disque			
disques de meulage	mm	6	6
disques de tronçonnage	mm	3,5	3,5
Taille de l'arbre		M14	M14
Poids	kg	2,1	2,1

Niveau de la pression sonore selon la norme EN 60745 :

Pression acoustique (L_{pA}) 91 dB(A), incertitude (K) 3 dB(A)

Puissance acoustique (L_{WA}) 102 dB(A), incertitude (K) 3 dB(A)

Valeurs totales de vibration (somme vectorielle triax) selon EN 60745 :

Meulage de surface ($a_{v,AG}$) 7 m/s^2 , incertitude (K) 1,5 m/s^2

Tronçonnage (a_v) 2,5 m/s^2 , incertitude (K) 1,5 m/s^2

Déclaration de conformité CE

DIRECTIVE MACHINES



AST15/KG725/KG900/KG915/KG925

Black & Decker déclare que ces produits décrits sous les "caractéristiques techniques" sont conformes avec :
98/37/CE (jusqu'au 28 déc. 2009), 2006/42/CE
(à compter du 29 déc. 2009), EN 60745-1, EN 60745-2-3

Pour en savoir plus, veuillez contacter Black & Decker à l'adresse suivante ou consultez le dos du manuel.

Le soussigné est responsable de la compilation du fichier technique et effectue cette déclaration au nom de Black & Decker.

Kevin Hewitt

Vice-président Ingénierie globale
Black & Decker Europe, 210 Bath Road, Slough,
Berkshire, SL1 3YD
Royaume Uni
30-9-2009

Garantie

Black & Decker est confiant dans la qualité de ses produits et vous offre une garantie très étendue. Ce certificat de garantie est un document supplémentaire et ne peut en aucun cas se substituer à vos droits légaux. La garantie est valable sur tout le territoire des Etats Membres de l'Union Européenne et de la Zone de Libre Echange Européenne.

Si un produit Black & Decker s'avère défectueux en raison de matériaux en mauvaises conditions, d'une erreur humaine, ou d'un manque de conformité dans les 24 mois suivant la date d'achat, Black & Decker garantit le remplacement des pièces défectueuses, la réparation des produits usés ou cassés ou remplace ces produits à la convenance du client, sauf dans les circonstances suivantes :

- ◆ Le produit a été utilisé dans un but commercial, professionnel, ou a été loué.
- ◆ Le produit a été mal utilisé ou avec négligence.
- ◆ Le produit a subi des dommages à cause d'objets étrangers, de substances ou à cause d'accidents.
- ◆ Des réparations ont été tentées par des techniciens ne faisant pas partie du service technique de Black & Decker.

Pour avoir recours à la garantie, il est nécessaire de fournir une preuve d'achat au vendeur ou à un réparateur agréé.

Pour connaître l'adresse du réparateur agréé le plus proche de chez vous, contactez le bureau Black & Decker à l'adresse indiquée dans ce manuel. Vous pourrez aussi trouver une liste des réparateurs agréés de Black & Decker et de plus amples détails sur notre service après-vente sur le site Internet à l'adresse suivante : **www.2helpU.com**

Visitez notre site Web **www.blackanddecker.fr** pour enregistrer votre nouveau produit Black & Decker et être informé des nouveaux produits et des offres spéciales. Pour plus d'informations concernant la marque Black & Decker et notre gamme de produits, consultez notre site **www.blackanddecker.fr**

Uso previsto

La smerigliatrice angolare Black & Decker è stata messa a punto per tagliare metalli e muratura mediante il disco abrasivo o da taglio appropriato. L'utensile è stato progettato per un uso individuale.

Precauzioni di sicurezza

Avvisi generali di sicurezza per l'elettrotensile



Attenzione! Leggere tutti gli avvisi e le istruzioni di sicurezza. La mancata osservanza dei seguenti avvisi e istruzioni potrebbe causare scosse elettriche, incendi e/o infortuni gravi.

Conservare tutte gli avvisi e le istruzioni per consultazioni future. Il termine "elettrotensile" che ricorre in tutte le seguenti avvertenze si riferisce ad utensili elettrici con o senza filo.

1. Sicurezza dell'area di lavoro

- Mantenere pulita e bene illuminata l'area di lavoro.** Il disordine o la scarsa illuminazione possono causare incidenti.
- Evitare d'impiegare gli elettrotensili in ambienti esposti al rischio di esplosione, ad esempio in presenza di liquidi, gas o polveri infiammabili.** Gli elettrotensili producono scintille che possono far infiammare la polvere o i fumi.
- Mantenere lontani bambini ed astanti mentre si usa l'elettrotensile.** Eventuali distrazioni possono comportare la perdita del controllo dell'elettrotensile.

2. Sicurezza elettrica

- La spina elettrica deve essere adatta alla presa. Evitare assolutamente di alterare la spina. Non impiegare spine adattatrici con elettrotensili provvisti di messa a terra.** L'uso di spine inalterate e corrispondenti alle prese della rete domestica riduce il rischio di scosse elettriche.
- Evitare il contatto fisico con superfici collegate a terra, come tubi, radiatori, forni e frigoriferi.** Un corpo collegato a terra è esposto maggiormente al rischio di scosse elettriche.
- Custodire gli elettrotensili al riparo dalla pioggia o dall'umidità.** L'eventuale infiltrazione di acqua in un elettrotensile aumenta il rischio di scosse elettriche.
- Non esporre il cavo a sollecitazioni. Non usare il cavo per trasportare o trainare l'elettrotensile e non tirarlo per estrarre la spina dalla presa di corrente. Mantenere il cavo a distanza da fonti di calore, olio, bordi taglienti e/o parti in movimento.** I cavi elettrici danneggiati o aggrovigliati aumentano il rischio di scosse elettriche.

- Se l'elettrotensile viene adoperato all'aperto, usare esclusivamente prolunghie omologate per l'impiego all'esterno.** Un cavo adatto per impieghi all'esterno riduce il rischio di scosse elettriche.
- Se l'uso di un elettrotensile in un ambiente umido è inevitabile, utilizzare una fonte di alimentazione dotata di un dispositivo di protezione da correnti residue (RCD).** L'uso di un RCD riduce il rischio di scosse elettriche.

3. Sicurezza delle persone

- È importante concentrarsi su ciò che si sta facendo e maneggiare con giudizio l'elettrotensile. Non adoperare l'elettrotensile se si è stanchi o sotto l'effetto di stupefacenti, alcol o medicinali.** Un attimo di distrazione durante l'uso dell'elettrotensile può causare gravi infortuni personali.
 - Indossare un equipaggiamento protettivo. Utilizzare sempre occhiali protettivi di sicurezza.** Indossando un equipaggiamento protettivo, ad esempio: maschera antipolvere, calzature di sicurezza con suola antiscivolo, casco e protezioni per l'udito, in condizioni adeguate, si riduce il rischio di lesioni personali.
 - Evitare l'accensione involontaria dell'elettrotensile. Verificare che l'interruttore di accensione sia posizionato su off prima di collegare il cavo di alimentazione o la batteria, di sollevare o trasportare l'elettrotensile.** Trasportare gli elettrotensili con il dito sull'interruttore di accensione o collegare all'alimentazione elettrotensili con l'interruttore posizionato su on, favorisce il verificarsi di incidenti.
 - Prima di accendere un elettrotensile, togliere eventuali chiavi o attrezzi di regolazione.** Un attrezzo o una chiave lasciati in un componente mobile dell'elettrotensile possono causare lesioni.
 - Non sporgersi. Mantenere sempre un buon equilibrio evitando posizioni malsicure.** In questo modo è possibile controllare meglio l'elettrotensile in situazioni inaspettate.
 - Vestirsi adeguatamente. Evitare di indossare indumenti larghi o gioielli. Tenere capelli, vestiti e guanti lontani dalle parti in movimento.** Vestiti larghi, gioielli o capelli lunghi possono impigliarsi nei componenti in movimento.
 - Se gli elettrotensili sono provvisti di attacchi per la connessione di dispositivi di aspirazione o raccolta della polvere, assicurarsi che questi siano installati e utilizzati correttamente.** L'uso di un dispositivo di aspirazione può ridurre i rischi correlati alle polveri.
- #### 4. Uso e cura degli elettrotensili
- Non sovraccaricare l'elettrotensile. Usare un elettrotensile idoneo al lavoro da eseguire.** Un elettrotensile appropriato permetterà una migliore e più sicura lavorazione alla potenza nominale prevista.

- b. Non utilizzare elettrotensili con interruttori difettosi.**
Un elettrotensile che non può essere controllato mediante l'interruttore è pericoloso e deve essere riparato.
- c. Scollegare la spina dalla presa e/o estrarre la batteria dall'elettrotensile prima di eseguire regolazioni, di sostituire degli accessori o di riporre l'elettrotensile.**
Queste precauzioni riducono le possibilità che l'elettrotensile venga messo in funzione accidentalmente.
- d. Quando non vengono usati, gli elettrotensili devono essere custoditi fuori della portata dei bambini. Non consentire l'uso dell'elettrotensile a persone inesperte o che non abbiano letto le presenti istruzioni.** Gli elettrotensili risultano pericolosi se usati da persone inesperte.
- e. Sottoporre gli elettrotensili alle procedure di manutenzione del caso. Verificare che le parti mobili siano bene allineate e non inceppate, che non vi siano componenti rotti e che non sussistano altre condizioni che possano compromettere il funzionamento dell'elettrotensile. In caso di danni, riparare l'elettrotensile prima dell'uso.** La scarsa manutenzione causa molti incidenti.
- f. Mantenere affilati e puliti gli utensili da taglio.** Se sottoposti alla corretta manutenzione, gli utensili da taglio con taglienti affilati s'inceppano meno frequentemente e sono più facili da manovrare.
- g. Utilizzare l'elettrotensile, gli accessori, le punte ecc. in conformità alle presenti istruzioni, tenendo conto delle condizioni lavorative e del tipo di lavoro da eseguire.** L'impiego degli elettrotensili per usi diversi da quelli previsti può dar luogo a situazioni di pericolo.
- 5. Riparazioni**
- a. Fare riparare l'elettrotensile solo ed esclusivamente da personale specializzato e solo impiegando pezzi di ricambio originali.** Ciò permetterà di conservare le condizioni di sicurezza dell'elettrotensile.

Ulteriori avvisi di sicurezza per l'elettrotensile



Attenzione! Ulteriori avvisi di sicurezza per operazioni di smerigliatura, levigatura, spazzolatura, lucidatura o taglio con disco abrasivo

- ◆ **Questo elettrotensile è stato progettato per smerigliare, levigare, spazzolare, lucidare o tagliare. Leggere tutti gli avvisi di sicurezza, le istruzioni, le illustrazioni e le specifiche tecniche fornite con l'elettrotensile.**
La mancata osservanza delle presenti istruzioni potrebbe causare scosse elettriche, incendi e/o infortuni gravi.
- ◆ **L'esecuzione di operazioni diverse da quelle per le quali è stato progettato l'elettrotensile possono creare un pericolo e causare lesioni personali.**
- ◆ **Non utilizzare accessori diversi da quelli specificatamente progettati e raccomandati dal fabbricante dell'elettrotensile.** La possibilità di montaggio di un accessorio sull'elettrotensile, non ne garantisce un utilizzo sicuro.
- ◆ **La velocità nominale dell'accessorio deve almeno equivalere alla velocità massima contrassegnata sull'elettrotensile.** Gli accessori funzionanti a una velocità superiore a quella nominale possono rompersi ed essere proiettati.
- ◆ **Il diametro esterno e lo spessore dell'accessorio devono rientrare nelle caratteristiche nominali dell'elettrotensile.** Accessori di dimensioni errate non possono essere protetti o controllati in modo adeguato.
- ◆ **La dimensione dell'alberino dei dischi, delle flange, dei platorelli o di qualsiasi altro accessorio deve adattarsi correttamente al mandrino dell'elettrotensile.** Gli accessori con fori dell'alberino non corrispondenti al dispositivo di montaggio dell'elettrotensile saranno sbilanciati, vibreranno in modo eccessivo e potranno causare perdita di controllo.
- ◆ **Non usare un accessorio danneggiato. Prima di ogni uso ispezionare i dischi abrasivi per verificare l'eventuale presenza di trucioli e rotture, il platorello per verificare la presenza di eventuali rotture, lacerazioni o eccessiva usura, la spazzola metallica per verificare la presenza di setole allentate o rotte. In caso di caduta dell'elettrotensile o di un accessorio, verificare l'eventuale presenza di danni o installare un accessorio non danneggiato. Dopo aver ispezionato e installato un accessorio, far funzionare l'elettrotensile alla velocità massima a vuoto per un minuto.** Durante tale periodo di funzionamento di test, gli accessori danneggiati generalmente si spezzano.
- ◆ **Indossare un equipaggiamento protettivo. In base all'applicazione utilizzare schermi facciali, occhiali di sicurezza o visiere protettive. In base alle necessità, indossare maschera antipolvere, otoproiettori, guanti e grembiule da officina in grado di bloccare piccoli frammenti abrasivi o del pezzo in lavorazione.**
Le protezioni per gli occhi devono essere in grado di bloccare i frammenti proiettati durante le varie operazioni. La maschera antipolvere deve essere in grado di filtrare le particelle generate durante l'uso dell'elettrotensile. L'esposizione prolungata a rumori d'intensità elevata può causare perdita di udito.

- ◆ **Mantenere gli astanti a una distanza di sicurezza dall'area di lavoro. Chiunque entri nell'area di lavoro deve indossare l'equipaggiamento protettivo.**
I frammenti provenienti dal pezzo in lavorazione o da accessori rotti possono essere proiettati e causare lesioni nelle immediate vicinanze dell'area di lavoro.
- ◆ **Eseguendo lavori in cui l'accessorio da taglio può entrare in contatto con linee elettriche nascoste o con il cavo di alimentazione, afferrare l'elettrotensile esclusivamente tramite le apposite impugnature isolanti.** Il contatto dell'accessorio da taglio con una "linea sotto tensione", può sottoporre a tensione le parti metalliche dell'elettrotensile e provocare una scossa elettrica.
- ◆ **Posizionare il cavo a distanza dall'accessorio in rotazione.** In caso di perdita di controllo, il cavo potrebbe essere tagliato o afferrato e la mano o il braccio potrebbero essere attirati nell'accessorio in rotazione.
- ◆ **Non appoggiare mai l'elettrotensile finché l'accessorio non si è arrestato completamente.**
L'accessorio in rotazione potrebbe afferrare la superficie e causare la perdita di controllo dell'elettrotensile.
- ◆ **Non azionare l'elettrotensile mentre lo si tiene al proprio fianco.** Il contatto accidentale con l'accessorio in rotazione potrebbe afferrare l'abbigliamento, trascinando l'accessorio verso il corpo.
- ◆ **Pulire regolarmente le prese d'aria dell'elettrotensile.**
La ventola del motore attira la polvere all'interno dell'alloggiamento e l'accumulo eccessivo di metallo polverizzato può causare rischi elettrici.
- ◆ **Non utilizzare l'elettrotensile vicino a materiali infiammabili.** Le scintille possono incendiare tali materiali.
- ◆ **Non utilizzare accessori che necessitano di refrigeranti liquidi.** L'uso di acqua o altri liquidi può causare elettrocuzione o scossa elettrica.

Nota: il precedente avviso non è applicabile agli elettrotensili specificatamente progettati per essere utilizzati con l'ausilio di liquidi.

Contraccolpo e avvisi correlati

Il contraccolpo è una reazione improvvisa provocata da un disco, un platorello, una spazzola o qualunque altro accessorio in rotazione rimasto inceppato o afferrato. Tale condizione causa un rapido arresto dell'accessorio in rotazione con conseguente movimento forzato dell'elettrotensile nella direzione opposta alla rotazione dell'accessorio nel punto dell'inceppamento.

Per esempio, se un disco abrasivo resta inceppato o afferrato nel pezzo in lavorazione, il bordo del disco che entra nel punto d'inceppamento può conficcarsi nella superficie del materiale in lavorazione causando il sollevamento e l'espulsione improvvisa del disco. Il disco può saltare sia verso l'operatore che distante da esso, a seconda della direzione di movimento del disco nel punto d'inceppamento. In tali condizioni i dischi abrasivi possono anche rompersi.

Il contraccolpo è la conseguenza di un utilizzo non appropriato oppure non corretto dell'elettrotensile e può essere evitato prendendo le dovute precauzioni come descritto di seguito.

- ◆ **Afferrare saldamente l'elettrotensile e portare il corpo e le braccia in una posizione che permetta di resistere alla forza del contraccolpo. Utilizzare sempre l'impugnatura ausiliaria, se in dotazione, per ottenere il massimo controllo sul contraccolpo o sulla reazione di coppia durante l'avvio.** Prendendo le corrette precauzioni, l'operatore è in grado di controllare le reazioni di coppia e i contraccolpi.
- ◆ **Non posizionare mai le mani vicino all'accessorio in rotazione.** L'accessorio potrebbe subire un contraccolpo verso le mani.
- ◆ **Non posizionare mai il corpo nell'area di spostamento dell'elettrotensile in caso di contraccolpo.** Il contraccolpo spingerà l'elettrotensile nella direzione opposta a quella di movimento del disco nel punto di inceppamento.
- ◆ **Utilizzare particolare cautela lavorando angoli, bordi affilati ecc. Evitare sobbalzi e inceppamenti dell'accessorio.** Angoli, bordi affilati o i sobbalzi tendono a inceppare l'accessorio in rotazione, causando la perdita di controllo o il contraccolpo.
- ◆ **Non utilizzare lame per seghe a catena o lame dentellate.** Questo tipo di lame crea frequenti contraccolpi e perdita di controllo.

Ulteriori istruzioni di sicurezza per operazioni di smerigliatura e taglio con disco abrasivo

Avvisi di sicurezza specifici per operazioni di smerigliatura e taglio con disco abrasivo

- ◆ **Utilizzare solo mole consigliate per il proprio elettrotensile e protezioni appositamente progettate per la mola scelta.** Eventuali mole per le quali l'elettrotensile non è stato progettato non possono essere adeguatamente protette e non sono sicure.
- ◆ **La protezione deve essere saldamente fissata all'elettrotensile, posizionata in modo da garantire la massima sicurezza e da lasciare esposta verso l'operatore la minima quantità di mola.** La protezione contribuisce a proteggere l'operatore da frammenti di mole spezzate e dal contatto accidentale con la mola.

- ◆ **Le mole devono essere utilizzate solo per applicazioni consigliate. Ad esempio: non smerigliare con il lato di un disco da taglio.** I dischi da taglio abrasivi sono studiati per la smerigliatura periferica; forze trasversali applicate a tali dischi potrebbero romperli.
- ◆ **Utilizzare sempre flange per mole o dischi non danneggiati, della corretta forma e dimensione per la mola selezionata.** Le flange corrette supportano le mole riducendo la possibilità di rotture. Le flange per dischi da taglio possono essere diverse da quelle per mole da smerigliatura.
- ◆ **Non usare mole consumate da elettrotensili più grandi.** Le mole progettate per elettrotensili più grandi non sono adatte per la maggiore velocità di un elettrotensile più piccolo e possono esplodere.

Avvisi di sicurezza aggiuntivi specifici per operazioni di taglio con disco abrasivo

- ◆ **Non "bloccare" il disco da taglio né applicare un'eccessiva pressione. Non tentare di effettuare un taglio con profondità eccessiva.** La sovrasollecitazione del disco aumenta il carico e la possibilità di distorsione o inceppamento del disco nel taglio e la possibilità di contraccolpo o rottura del disco.
- ◆ **Non posizionare il corpo in linea con e dietro il disco in rotazione.** Quando il disco, nel punto di lavorazione, si allontana dal corpo, il possibile contraccolpo può spingere il disco in rotazione e l'elettrotensile direttamente sull'operatore.
- ◆ **Quando il disco è inceppato o si interrompe l'esecuzione di un taglio per qualsiasi motivo, spegnere l'elettrotensile e mantenerlo immobile finché il disco non si arresta completamente. Non tentare mai di rimuovere il disco dal taglio mentre è ancora in movimento: potrebbe verificarsi un contraccolpo.** Individuare la possibile causa del blocco del disco da taglio ed eliminarla attraverso interventi adatti.
- ◆ **Non riavviare l'operazione di taglio nel pezzo in lavorazione. Attendere che il disco raggiunga la piena velocità e reinserirlo con attenzione nel taglio.** Se l'elettrotensile viene riavviato quando è inserito nel pezzo in lavorazione, il disco potrebbe incepparsi, sollevarsi o potrebbe verificarsi un contraccolpo.
- ◆ **Per ridurre il rischio di inceppamento e contraccolpo, sostenere i pannelli o qualsiasi altro pezzo in lavorazione di grandi dimensioni.** I pezzi di grandi dimensioni tendono a piegarsi sotto il proprio peso. Sotto tali pezzi in lavorazione, è necessario inserire dei supporti idonei, sia lungo la linea di taglio che lungo i bordi, su entrambi i lati del disco.

- ◆ **Si prega di operare con particolare attenzione quando si è in procinto di eseguire un "taglio a tasca" in una zona nascosta come potrebbe per esempio essere una parete.** Il disco sporgente potrebbe tagliare tubi del gas o dell'acqua, cavi elettrici o oggetti in grado di causare un contraccolpo.

Avvisi di sicurezza specifici per operazioni di levigatura

- ◆ **Non utilizzare carta per dischi smerigliatori di dimensioni eccessive. Seguire le raccomandazioni del produttore per la scelta della carta abrasiva.** La carta abrasiva più larga che fuoriesce dal piatello presenta il rischio di lacerazioni e può causare inceppamento, lacerazione del disco o contraccolpi.

Avvisi di sicurezza specifici per operazioni di lucidatura

- ◆ **Non consentire a nessuna parte allentata della testa per levigare o ai laccetti dell'accessorio di ruotare liberamente. Inserire in modo sicuro o tagliare eventuali laccetti dell'accessorio liberi che ruotando possono impigliarsi alle dita o sul pezzo in lavorazione.**

Avvisi di sicurezza specifici per operazioni di spazzolatura

- ◆ **Le setole della spazzola vengono espulse anche durante il normale funzionamento. Evitare una sovrasollecitazione delle setole applicando un carico eccessivo sulla spazzola.** Le setole possono penetrare facilmente negli indumenti leggeri e/o nella pelle.
- ◆ **Se è consigliato l'uso della protezione per la spazzolatura, non consentire alcuna interferenza fra il disco o la spazzola e la protezione.** Il diametro del disco o della spazzola si può espandere a causa del carico operativo e della forza centrifuga.

Sicurezza altrui

- ◆ Questo elettrotensile non è destinato ad essere utilizzato da persone (bambini inclusi) con ridotte capacità fisiche, sensoriali o mentali, senza esperienza o non in possesso delle dovute conoscenze, senza la supervisione o l'addestramento da parte di una persona responsabile per la loro sicurezza.
- ◆ Controllare i bambini per evitare che giochino con l'elettrotensile.

Vibrazioni

I valori delle vibrazioni dichiarati nei dati tecnici e nella dichiarazione di conformità sono stati misurati in conformità ai metodi di test standard descritti in: EN 60745 e possono essere utilizzati per comparare due elettrotensili. I valori di emissioni dichiarati possono essere usati anche per una valutazione preliminare dell'esposizione.

Attenzione! Il valore delle vibrazioni durante l'uso dell'elettrotensile può differire dai valori dichiarati a seconda del modo in cui viene usato l'elettrotensile. Il livello di vibrazioni può aumentare rispetto al livello nominale.

Quando si valuta l'esposizione alle vibrazioni e si stabiliscono le misure di sicurezza richieste dalla direttiva 2002/44/CE per proteggere il personale che utilizza regolarmente gli elettrotensili nello svolgimento delle proprie funzioni, considerare una stima dell'esposizione alle vibrazioni, le effettive condizioni d'uso e il modo in cui l'elettrotensile viene usato, analizzando tutte le parti del ciclo operativo, ovvero i periodi in cui l'elettrotensile è spento o gira a vuoto, oltre al tempo in cui è in uso.

Etichette sull'elettrotensile

Sull'elettrotensile sono presenti le seguenti immagini:



Attenzione! Per ridurre il rischio di lesioni, l'utente è tenuto a leggere il presente manuale di istruzioni.



Indossate sempre occhiali di protezione quando fate funzionare questo utensile.



Indossare sempre protezioni acustiche per utilizzare questo elettrotensile.

Sicurezza elettrica



Il doppio isolamento di cui è provvisto l'elettrotensile rende superfluo il filo di terra. Controllare sempre che l'alimentazione corrisponda alla tensione indicata sulla targhetta delle caratteristiche.

- ◆ Se il cavo elettrico in dotazione risulta danneggiato, deve essere sostituito dal produttore o da un Centro di assistenza autorizzato Black & Decker, onde evitare rischi.

Funzioni

Questo elettrotensile è dotato di tutte le caratteristiche elencate di seguito, o di alcune di esse.

1. Interruttore acceso/spento
2. Impugnatura laterale
3. Blocco dell'alberino
4. Protezione

Montaggio

Attenzione! Prima di montarlo assicuratevi che l'utensile sia spento e desinserito.

Installazione e smontaggio della protezione (fig. A & B)

L'elettrotensile viene fornito con una protezione prevista esclusivamente per operazioni di smerigliatura. Se l'unità viene utilizzata per eseguire operazioni di taglio, deve essere provvista della specifica protezione idonea per questo tipo di operazione. L'apposita protezione per le operazioni di taglio, codice parte 1004484-00 & 1004484-01 sono disponibili presso i centri assistenza Black & Decker.

Installazione

- ◆ Collocare l'elettrotensile su un tavolo, con l'alberino (5) rivolto verso l'alto.
- ◆ Collocare la rondella elastica (6) sopra il mandrino e posizionarlo sulla spalla (7).
- ◆ Collocare la protezione (4) sull'utensile, come illustrato.
- ◆ Collocare la flangia (8) sopra l'alberino, con le protuberanze in direzione della protezione. Verificare che i fori della flangia siano allineati ai fori delle viti.
- ◆ Bloccare la flangia con le viti (9). Verificare che le viti siano ben serrate e che sia possibile ruotare la protezione.

Smontaggio

- ◆ Rimuovere le viti (9) con un cacciavite.
- ◆ Rimuovere la flangia (8), la protezione (4) e la rondella elastica (7). Conservare questi elementi in un luogo sicuro.

Attenzione! Non usare mai l'elettrotensile senza la protezione.

Installazione dell'impugnatura laterale

- ◆ Avvitare l'impugnatura laterale (2) in uno dei fori di montaggio sul corpo dell'elettrotensile.

Attenzione! Utilizzare sempre l'impugnatura laterale.

Montaggio e smontaggio dei dischi abrasivi o da taglio (fig. C - E)

Usare sempre dischi di tipo adeguato al lavoro.

Adoperare sempre dischi adeguati per diametro e dimensione del foro (v. specifiche tecniche).

Installazione

- ◆ Montare la protezione come descritto sopra.
- ◆ Collocare la flangia interna (10) sull'alberino (5), come illustrato (fig. C). Accertarsi che la flangia sia alloggiata correttamente sui lati piatti dell'alberino.
- ◆ Collocare il disco (11) sull'alberino (5), come illustrato (fig. C). Se il disco è sollevato al centro (12), accertarsi che la parte sollevata sia rivolta verso la flangia interna.

- ◆ Verificare che il disco sia alloggiato correttamente sulla flangia interna.
- ◆ Collocare la flangia esterna (13) sull'alberino. Per installare un disco abrasivo, il centro sollevato sulla flangia esterna deve essere rivolto verso il disco (A in fig. D). Per installare un disco da taglio, il centro sollevato sulla flangia esterna deve essere rivolto in direzione opposta al disco (B nella fig. D).
- ◆ Mantenere premuto il pulsante di blocco dell'alberino (3) e serrare la flangia esterna mediante la chiave a settore con due naselli (14) (fig. E).

Smontaggio

- ◆ Mantenere premuto il blocco dell'alberino (3) e allentare la flangia esterna (13) mediante la chiave a settore con due naselli (14) (fig. E).
- ◆ Rimuovere la flangia esterna (13) e il disco (11).

Montaggio e smontaggio dei dischi smerigliatori (fig. E & F)

Per levigare è necessario l'utilizzo di un platorello. Il platorello è disponibile come accessorio presso il concessionario Black & Decker di fiducia.

Installazione

- ◆ Collocare la flangia interna (10) sul mandrino (5), come illustrato (fig. F). Accertarsi che la flangia sia alloggiata correttamente sui lati piatti dell'alberino.
- ◆ Collocare il platorello (15) sul mandrino.
- ◆ Collocare il disco smerigliatore (16) sul platorello.
- ◆ Disporre sul mandrino la flangia esterna (13) in modo che il centro sollevato sia rivolto in direzione opposta al disco.
- ◆ Mantenere premuto il pulsante di blocco dell'alberino (3) e serrare la flangia esterna mediante la chiave a settore con due naselli (14) (fig. E). Verificare che la flangia esterna sia alloggiata correttamente e che il disco sia bloccato saldamente.

Smontaggio

- ◆ Mantenere premuto il blocco dell'alberino (3) e allentare la flangia esterna (13) mediante la chiave a settore con due naselli (14) (fig. E).
- ◆ Asportare la flangia esterna (13), il disco smerigliatore (16) e il platorello (15).

Uso

Attenzione! Lasciare che l'utensile lavori al suo ritmo, senza sovraccaricarlo.

- ◆ Dirigere con attenzione il cavo per evitare di tagliarlo involontariamente.
- ◆ Quando il disco abrasivo o da taglio tocca il pezzo da lavorare, viene prodotto un flusso di scintille.

- ◆ Posizionare sempre l'elettrotensile in modo che la protezione offra un riparo ottimale dal disco abrasivo o da taglio.

Avviamento e spegnimento

- ◆ Per accendere l'elettrotensile, far scorrere in avanti l'interruttore on/off (1). Notare che quando si rilascia l'interruttore l'elettrotensile continua a funzionare.
- ◆ Per spegnere l'elettrotensile, premere il lato posteriore dell'interruttore on/off.

Attenzione! Non spegnere l'utensile mentre è sotto carico.

Consigli per un'ottima utilizzazione

- ◆ Mantenere saldamente l'utensile con una mano attorno all'impugnatura laterale e l'altra attorno alla maniglia principale.
- ◆ Durante la levigatura, mantenere sempre un angolo di circa 15° tra il disco e la superficie del pezzo da lavorare.

Manutenzione

Questo apparecchio/elettrotensile con filo o a batteria Black & Decker è stato progettato per funzionare a lungo con un minimo di manutenzione. Per un funzionamento sempre soddisfacente è necessario avere cura dell'elettrotensile e provvedere alla regolare pulizia.

Attenzione! Prima di eseguire qualunque intervento di manutenzione su elettrotensili con filo o a batteria:

- ◆ Spegner l'apparecchio/elettrotensile e disinserire la spina.
- ◆ Oppure spegnere e rimuovere la batteria se l'apparecchio/elettrotensile è dotato di una batteria separata.
- ◆ Oppure, far scaricare completamente la batteria, se è integrata, quindi spegnere l'elettrotensile.
- ◆ Scollegare il caricabatterie dalla presa elettrica prima di pulirlo. Il caricabatterie non richiede alcun tipo di manutenzione oltre a una regolare pulizia.
- ◆ Pulire regolarmente con una spazzola morbida o un panno asciutto le prese di ventilazione dell'elettrotensile/apparecchio e del caricabatterie.
- ◆ Il vano del motore deve essere pulito regolarmente con un panno umido. Non usare materiali abrasivi o detersivi a base di solventi.
- ◆ Aprire regolarmente il mandrino e colpirlo leggermente per togliere tutta la polvere dall'interno (quando è installato).

Protezione dell'ambiente



Raccolta differenziata. Questo prodotto non deve essere smaltito con i normali rifiuti domestici.

Nel caso in cui si decida di sostituire l'apparecchio oppure di disfarsene in quanto non più necessario, non dovrà essere smaltito con i normali rifiuti domestici. Smaltire il prodotto tramite raccolta differenziata.



La raccolta differenziata di prodotti e imballaggi usati, consente il riciclaggio e il riutilizzo dei materiali. Riutilizzare i materiali riciclati aiuta a prevenire l'inquinamento ambientale e riduce la richiesta di materie prime.

In base alle normative locali, i servizi per la raccolta differenziata di elettrodomestici possono essere disponibili presso i punti di raccolta municipali o presso il rivenditore, al momento dell'acquisto di un nuovo prodotto.

Black & Decker offre ai suoi clienti un servizio per la raccolta differenziata e la possibilità di riciclare i prodotti Black & Decker che hanno esaurito la loro durata in servizio. Per usufruire del servizio, è sufficiente restituire il prodotto a qualsiasi tecnico autorizzato, incaricato della raccolta per conto dell'azienda.

Per individuare il tecnico autorizzato più vicino, rivolgersi alla sede Black & Decker locale, presso il recapito indicato nel presente manuale. Altrimenti un elenco completo di tutti i tecnici autorizzati Black & Decker e i dettagli completi sui contatti e i servizi post-vendita sono disponibili sul sito Internet: www.2helpU.com

Dati tecnici

		AST15	KG725	KG900
		TYPE 2	TYPE 2	TYPE 2
Tensione	V _{AC}	230	230	230
Potenza assorbita	W	900	701	900
Velocità a vuoto	min ⁻¹	10.000	10.000	10.000
Diametro del disco	mm	115	125	100
Foro del disco	mm	22	22	16
Spessore max. disco				
dischi abrasivi	mm	6	6	6
dischi da taglio	mm	3,5	3,5	3,5
Dimensione dell'alberino		M14	M14	M10
Peso	kg	2,1	2,1	2,1

		KG915	KG925
		TYPE 2	TYPE 2
Tensione	V _{AC}	230	230
Potenza assorbita	W	900	900
Velocità a vuoto	min ⁻¹	10.000	10.000
Diametro del disco	mm	115	125
Foro del disco	mm	22	22
Spessore max. disco			
dischi abrasivi	mm	6	6
dischi da taglio	mm	3,5	3,5
Dimensione dell'alberino		M14	M14
Peso	kg	2,1	2,1

Livello di pressione sonora, dati conformi alla norma EN 60745:

Pressione sonora (L_{pa}) 91 dB(A), incertezza (K) 3 dB(A)

Potenza acustica (L_{wa}) 102 dB(A), incertezza (K) 3 dB(A)

Valori totali di vibrazione (somma vettoriale triax) determinati in base a EN 60745:

Superficie di smerigliatura (a_{h,AC}) 7 m/s², incertezza (K) 1,5 m/s²

Superficie di taglio (a_g) 2,5 m/s², incertezza (K) 1,5 m/s²

Dichiarazione di conformità CE

DIRETTIVA MACCHINE



AST15/KG725/KG900/KG915/KG925

Black & Decker dichiara che i prodotti descritti nella sezione "dati tecnici" sono conformi con:

98/37/CE (fino al 28 dicembre 2009), 2006/42/CE (dal 29 dicembre 2009), EN 60745-1, EN 60745-2-3

Per ulteriori informazioni, contattare Black & Decker ai seguenti indirizzi o consultare il retro del manuale.

Il sottoscritto è responsabile della compilazione del file tecnico e rilascia la presente dichiarazione per conto di Black & Decker.

Kevin Hewitt

Vicepresidente progettazione globale

Black & Decker Europe, 210 Bath Road, Slough,

Berkshire, SL1 3YD

Regno Unito

30-9-2009

Garanzia

Certa della qualità dei suoi prodotti, Black & Decker offre una garanzia eccezionale. Il presente certificato di garanzia è complementare ai diritti statutari e non li pregiudica in alcun modo. La garanzia è valida entro il territorio degli Stati membri dell'Unione Europea e dell'EFTA (European Free Trade Area).

Se un prodotto Black & Decker risulta difettoso per qualità del materiale, della costruzione o per mancata conformità entro 24 mesi dalla data di acquisto, Black & Decker garantisce la sostituzione delle parti difettose, provvede alla riparazione dei prodotti se ragionevolmente usurati oppure alla loro sostituzione, in modo da ridurre al minimo il disagio del cliente a meno che:

- ◆ Il prodotto non sia stato destinato ad usi commerciali, professionali o al noleggio;
- ◆ Il prodotto non sia stato usato in modo improprio o scorretto;
- ◆ Il prodotto non abbia subito danni causati da oggetti o sostanze estranee oppure incidenti;
- ◆ Il prodotto non abbia subito tentativi di riparazione non effettuati da tecnici autorizzati né dall'assistenza Black & Decker.

Per attivare la garanzia è necessario esibire la prova comprovante l'acquisto al venditore o al tecnico autorizzato. Per individuare il tecnico autorizzato più vicino, rivolgersi alla sede Black & Decker locale, presso il recapito indicato nel presente manuale. Altrimenti un elenco completo di tutti i tecnici autorizzati Black & Decker e i dettagli completi sui contatti e i servizi post-vendita sono disponibili su Internet presso: **www.2helpU.com**

I clienti che desiderano registrare il nuovo prodotto Black & Decker e ricevere gli aggiornamenti sui nuovi prodotti e le offerte speciali, sono invitati a visitare il sito Web (**www.blackanddecker.it**). Ulteriori informazioni sul marchio e la gamma di prodotti Black & Decker sono disponibili all'indirizzo **www.blackanddecker.it**

Gebruik volgens bestemming

Uw haakse slijper van Black & Decker is ontwikkeld voor het slijpen van metaal en metselwerk, met behulp van de bijbehorende doorslijp- of slijpschijf. Deze machine is uitsluitend bestemd voor consumentengebruik.

Veiligheidsvoorschriften

Algemene veiligheidswaarschuwingen voor elektrisch gereedschap



Waarschuwing! Lees alle veiligheidsinstructies en alle voorschriften. Wanneer de volgende waarschuwingen en voorschriften niet in acht worden genomen, kan dit een elektrische schok, brand of ernstig letsel tot gevolg hebben.

Bewaar alle waarschuwingen en instructies zorgvuldig.

Het hierna gebruikte begrip "elektrisch gereedschap" heeft betrekking op elektrische gereedschappen voor gebruik op het stroomnet (met netsnoer) of op batterijen (snoerloos).

1. **Veiligheid van de werkomgeving**
 - a. **Houd uw werkomgeving schoon en opgeruimd.**
Een rommelige en een onverlichte werkomgeving kan tot ongevallen leiden.
 - b. **Werk niet met elektrische gereedschappen in een omgeving met explosiegevaar, zoals in aanwezigheid van brandbare vloeistoffen, gassen of stof.** Elektrische gereedschappen veroorzaken vonken die het stof of de dampen tot ontsteking kunnen brengen.
 - c. **Houd kinderen en andere personen tijdens het gebruik van het elektrische gereedschap uit de buurt.** Wanneer u wordt afgeleid, kunt u de controle over het gereedschap verliezen.
2. **Elektrische veiligheid**
 - a. **De netstekker van het gereedschap moet in het stopcontact passen. De stekker mag in geen geval worden veranderd. Gebruik geen adapterstekkers in combinatie met geaarde gereedschappen.**
Onveranderde stekkers en passende stopcontacten verminderen de kans op een elektrische schok.
 - b. **Voorkom aanraking van het lichaam met geaarde oppervlakken, bijvoorbeeld buizen, verwarmingen, fornuizen en koelkasten.** De kans op een elektrische schok is groter als uw lichaam geaard is.
 - c. **Stel elektrisch gereedschap niet bloot aan regen en vocht.** In elektrisch gereedschap binnendringend water vergroot de kans op een elektrische schok.
 - d. **Gebruik het snoer niet voor een verkeerd doel. Gebruik het snoer niet om het gereedschap te dragen, voor te trekken of om de stekker uit het stopcontact te trekken. Houd het snoer uit de buurt van hitte, olie, scherpe randen of bewegende delen.** Beschadigde of in de war geraakte snoeren vergroten de kans op een elektrische schok.
 - e. **Gebruik wanneer u buitenshuis met elektrisch gereedschap werkt alleen verlengsnoeren die voor gebruik buitenshuis zijn goedgekeurd.** Het gebruik van een voor gebruik buitenshuis geschikt verlengsnoer verkleint de kans op een elektrische schok.
 - f. **Gebruik een netvoeding voorzien van een reststroomvoorziening (RCD) indien het gebruiken van elektrisch gereedschap op een vochtige locatie onvermijdelijk is.** Gebruik van een reststroomvoorziening verkleint het risico van elektrische schok.
3. **Veiligheid van personen**
 - a. **Wees alert, let goed op wat u doet en ga met verstand te werk bij het gebruik van elektrische gereedschappen. Gebruik elektrisch gereedschap niet wanneer u moe bent of onder invloed van drugs, alcohol of medicijnen.**
Een moment van onoplettendheid bij het gebruik van het gereedschap kan tot ernstige verwondingen leiden.
 - b. **Gebruik persoonlijke beschermende uitrusting. Draag altijd oogbescherming.** Persoonlijke beschermende uitrusting zoals een stofmasker, slipvaste werkschoenen, een veiligheidshelm of gehoorbescherming, gebruikt voor geschikte condities, verkleint het risico van verwondingen.
 - c. **Voorkom onbedoeld inschakelen. Zorg ervoor dat de schakelaar in de "uit"-stand staat voordat u de stekker in het stopcontact steekt, de accu plaatst of het gereedschap oppakt of draagt.** Het dragen van het gereedschap met uw vinger aan de schakelaar of het gereedschap ingeschakeld op de stroomvoorziening aansluiten kan tot ongelukken leiden.
 - d. **Verwijder stelsleutels of moersleutels voordat u het gereedschap inschakelt.** Een sleutel in een draaiend onderdeel van het elektrische gereedschap kan tot verwondingen leiden.
 - e. **Reik niet te ver. Zorg altijd dat u stevig staat en in evenwicht blijft.** Daardoor kunt u het gereedschap in onverwachte situaties beter onder controle houden.
 - f. **Draag geschikte kleding. Draag geen loshangende kleding of sieraden. Houd haren, kleding en handschoenen uit de buurt van bewegende delen.** Loshangende kleding, sieraden en lange haren kunnen bekneld raken in bewegende delen.
 - g. **Sluit eventueel bijgeleverde stofafzuig- of stofopvangvoorzieningen aan en gebruik ze op de juiste manier.** Het gebruik van stofopvang beperkt het gevaar door stof.

4. Gebruik en onderhoud van elektrische gereedschappen

- a. **Overbelast het gereedschap niet. Gebruik voor uw toepassing het daarvoor bestemde elektrische gereedschap.** Met het passende elektrische gereedschap werkt u beter en veiliger binnen het aangegeven capaciteitsbereik.
- b. **Gebruik geen elektrisch gereedschap waarvan de schakelaar defect is.** Elektrisch gereedschap dat niet meer kan worden in- of uitgeschakeld is gevaarlijk en moet worden gerepareerd.
- c. **Trek de stekker uit het stopcontact en/of accu alvorens het gereedschap af te stellen, accessoires te verwisselen of elektrisch gereedschap op te bergen.** Deze voorzorgsmaatregel voorkomt onbedoeld starten van het gereedschap.
- d. **Bewaar elektrische gereedschappen die niet worden gebruikt buiten bereik van kinderen. Laat personen die niet met het gereedschap vertrouwd zijn of deze aanwijzingen niet hebben gelezen niet met het gereedschap werken.** Elektrische gereedschappen zijn gevaarlijk in de handen van onervaren personen.
- e. **Verzorg het gereedschap zorgvuldig. Controleer bewegende delen van het gereedschap op goede uitlijning en soepele werking. Controleer of onderdelen niet gebroken zijn of dat de werking van het gereedschap niet op enige andere wijze nadelig wordt beïnvloed. Laat beschadigde delen repareren voordat u met het gereedschap gaat werken.** Veel ongevallen worden veroorzaakt door slecht onderhouden elektrische gereedschappen.
- f. **Houd snijgereedschappen scherp en schoon.** Zorgvuldig onderhouden snijgereedschappen met scherpe snijkanten lopen minder snel vast en zijn gemakkelijker te sturen.
- g. **Gebruik elektrische gereedschappen, toebehoren, inzetgereedschappen en dergelijke volgens deze aanwijzingen. Let daarbij op de arbeidsomstandigheden en de uit te voeren werkzaamheden.** Het gebruik van elektrische gereedschappen voor andere dan de voorziene toepassingen kan tot gevaarlijke situaties leiden.

5. Service

- a. **Laat het elektrische gereedschap alleen repareren door een gekwalificeerde reparateur en alleen met gebruik van originele vervangingsonderdelen.** Dit garandeert de veiligheid van het gereedschap.

Aanvullende veiligheidsinstructies voor elektrisch gereedschap



Waarschuwing! Aanvullende veiligheidswaarschuwingen voor slijpen, schuren, staalborstelen, polijsten of schurende afsnijtoepassingen

- ◆ **Dit elektrisch gereedschap is bedoeld om als slijper, schuurmachine, staalborstel, polijster of afsnijwerktuig te fungeren. Lees alle veiligheidswaarschuwingen, instructies, afbeeldingen en specificaties die meegeleverd worden bij dit elektrisch gereedschap.** Het niet in acht nemen van de volgende voorschriften kan leiden tot een elektrische schok, brand of ernstig letsel.
- ◆ **Toepassingen waarvoor het elektrisch gereedschap niet ontworpen is, kunnen een gevaar vormen en kunnen leiden tot letsel.**
- ◆ **Gebruik geen accessoires die niet specifiek ontworpen zijn en die niet aanbevolen worden door de fabrikant van het elektrisch gereedschap.** Hoewel een accessoire aangesloten kan worden op uw elektrisch gereedschap, garandeert dit geen veilige toepassing.
- ◆ **De nominale snelheid van het accessoire moet ten minste gelijk zijn aan de maximale snelheid aangeduid op het elektrisch gereedschap.** Accessoires die sneller lopen dan hun nominale snelheid kunnen breken en uit elkaar vliegen.
- ◆ **De buitenste diameter en de dikte van uw accessoire moet zich binnen de nominale capaciteit van uw elektrisch gereedschap bevinden.** Accessoires die niet aan de afmetingen voldoen, kunnen niet voldoende worden bewaakt en beheerst.
- ◆ **De asgrootte van de schijven, flenzen, steunschijven of een andere accessoire moeten goed passen op de as van het elektrisch gereedschap.** Accessoires met asgaten die niet overeenkomen met de montagedelen van het elektrisch gereedschap zullen uit balans raken, hevig trillen en kunnen leiden tot controleverlies.
- ◆ **Gebruik geen beschadigde accessoire. Controleer voor elk gebruik het accessoire, zoals slijpschijven op spaanders en schouren, steunschijf op scheuren, overmatige slijtage, borstel op losse of gebroken draden.** Als het elektrisch gereedschap of accessoire gevallen is, controleer dan op schade of monteer een onbeschadigde accessoire. Na controle en montage van het accessoire laat het elektrisch gereedschap gedurende een minuut op het maximum toegestane toerental draaien. Beschadigde accessoires zullen gedurende deze testperiode het begeven.

- ◆ **Draag persoonlijke beschermende uitrusting.** Afhankelijk van de toepassing, gebruik een **gelaatsscherm of een veiligheidsbril. Zoals gepast, draag een stofmasker, gehoorbeschermers, handschoenen en schort voor het tegenhouden van slijpsel of werkstukfragmenten.** De oogbescherming moet in staat zijn rondvliegend puin te stoppen veroorzaakt door verschillende toepassingen. Het stofmasker of ademhalingstoestel moet deeltjes kunnen filteren veroorzaakt door uw toepassing. Langdurige blootstelling aan hoge intensiteit van lawaai kan leiden tot gehoorverlies.
- ◆ **Houd omstanders op veilige afstand van het werkgebied. Iedereen die de werkruimte betreedt, moet persoonlijke beschermingsmiddelen dragen.** Fragmenten van het werkstuk of van een gebroken accessoire kunnen wegvliegen en letsel veroorzaken buiten de onmiddellijke omgeving van de toepassing.
- ◆ **Houd de machine alleen aan de geïsoleerde greepvlakken vast als u werkzaamheden uitvoert waarbij het zaagaccessoire verborgen stroomleidingen of de eigen machinekabel kan raken.** Het zaagaccessoire dat een onder spanning staande leiding raakt, zet ook de zichtbare metalen machinedelen onder spanning; dit kan leiden tot een elektrische schok.
- ◆ **Houd het snoer uit de buurt van het draaiende accessoire.** Als u de beheersing verliest, kan het snoer doorgesneden worden of blijven haken of uw arm kan in het draaiende accessoire worden getrokken.
- ◆ **Leg het elektrisch gereedschap nooit neer totdat het accessoire volledig tot stilstand is gekomen.** Het draaiende accessoire kan het oppervlak grijpen en het elektrische gereedschap uit uw beheersing trekken.
- ◆ **Laat het gereedschap niet draaien terwijl u het draagt aan uw zijde.** Het per ongeluk in contact komen met een draaiende accessoire kan uw kleding scheuren en het accessoire in uw lichaam trekken.
- ◆ **Reinig de ventilatieopeningen van het elektrisch gereedschap regelmatig.** De ventilator van de motor zal stof in de behuizing trekken en overmatige opeenhoping van metaal in poedervorm kan elektrische gevaren veroorzaken.
- ◆ **Gebruik het elektrisch gereedschap niet in de buurt van brandbare materialen.** Vonken kunnen deze materialen ontsteken.
- ◆ **Gebruik geen accessoires die vloeibare koelmiddelen vereisen.** Het gebruik van water of andere vloeibare koelmiddelen kan leiden tot elektrocutie of schok.

Opmerking: De bovenstaande waarschuwing geldt niet voor elektrisch gereedschap dat speciaal is ontworpen voor gebruik met een vloeistofstelsel.

Terugslag en aanverwante waarschuwingen

Terugslag is een plotselinge reactie op een afgeklemd of vastzittende draaiende schijf, steunschijf, borstel of een andere accessoire. Klemmen of blijven vastzitten veroorzaakt een snelle blokkering van het draaiende accessoire dat op zijn beurt ervoor zorgt dat het ongecontroleerde gereedschap in de tegenovergestelde richting van het accessoire op het vastklempunt wordt gedwongen.

Bijvoorbeeld, als een slijpschijf blijft vastzitten of vastgeklemd wordt door het werkstuk, kan de rand van de schijf dat het klempunt binnengaat in het oppervlak van het materiaal doordringen waardoor de schijf eruit klimt of terugslaat. De schijf kan zowel naar voren springen of in de richting van de gebruiker afhankelijk van de richting van de beweging van de schijf op het knijppunt. Slijpschijven kunnen ook breken onder deze omstandigheden.

Een terugslag is het gevolg van het verkeerd gebruik of onjuiste gebruiksomstandigheden van het elektrisch gereedschap en kan worden voorkomen door geschikte voorzorgsmaatregelen, zoals hieronder beschreven, te nemen.

- ◆ **Houd een sterke grip op het elektrisch gereedschap en plaats uw lichaam en arm zo om u te kunnen verzetten tegen krachten van terugslag. Gebruik altijd een extra handgreep, indien aanwezig, voor maximale controle over terugslag of reactie van het koppel tijdens het opstarten.** De gebruiker kan de reacties van het koppel of de krachten van terugslag beheersen, indien goede voorzorgsmaatregelen worden genomen.
- ◆ **Plaats nooit uw hand in de buurt van het draaiende accessoire.** Accessoire kan terugslaan over uw hand.
- ◆ **Plaats uw lichaam niet in het gebied waar het gereedschap zich naar toe zal bewegen als er terugslag optreedt.** Terugslag zal het gereedschap in de richting tegengesteld aan de beweging van de schijf op het klempunt voortbewegen.
- ◆ **Neem speciale maatregelen bij het bewerken van hoeken, scherpe randen etc. Vermijd stuiten en vastslaan van het accessoire.** Hoeken, scherpe randen of het stuiten hebben de neiging om het draaiende accessoire vast te laten slaan en veroorzaken controleverlies of terugslag.
- ◆ **Bevestig geen zaagbladzaagketting voor houtsnijwerk of getand zaagblad.** Dergelijke bladen veroorzaken veelvuldig terugslag en controleverlies.

Aanvullende veiligheidsinstructies voor slijp- en doorslijptoeepassingen

Aanvullende veiligheidswaarschuwingen specifiek voor slijp- en doorslijptoeepassingen met abbrasieve accessoires

- ◆ **Gebruik alleen schijven die voor uw elektrisch gereedschap worden aanbevolen en de specifieke beschermkap voor de geselecteerde schijf.** Schijven waarvoor het elektrisch gereedschap niet ontworpen is, kunnen niet voldoende veiligheid bieden en zijn onveilig.
- ◆ **De beschermkap moet goed aangebracht worden op het elektrisch gereedschap en gepositioneerd voor maximale veiligheid, zodat de gebruiker zo min mogelijk wordt blootgesteld aan de schijf.**
De beschermkap helpt de gebruiker te beschermen tegen schijffragmenten en het per ongeluk in contact komen met een schijf.
- ◆ **Schijven moet alleen voor aanbevolen toepassingen worden gebruikt. Bijvoorbeeld: slijp niet met de zijkant van een doorslijpschijf.** Abrasieve doorslijpschijven zijn bedoeld voor het slijpen aan de buitenkant. Zijkrachten die worden uitgeoefend op deze schijven kunnen de schijven laten uiteenspatten.
- ◆ **Gebruik altijd onbeschadigde schijfflenzen met de juiste afmeting en vorm voor uw geselecteerde schijf.** Juiste schijfflenzen ondersteunen de schijf zodat de mogelijkheid tot schijfbreuk wordt gereduceerd. Flenzen voor doorslijpschijven kunnen verschillend zijn van flenzen voor slijpschijven.
- ◆ **Gebruik geen versleten schijven van grotere elektrische gereedschappen.** Schijven voor groter elektrisch gereedschap zijn niet geschikt voor de hogere snelheid van een kleiner gereedschap en kunnen barsten.

Aanvullende veiligheidswaarschuwingen specifiek voor schurende afsnijtoepassingen

- ◆ **Laat de doorslijpschijf niet "vastslaan" of oefen geen overmatige druk uit. Probeer niet om een buitensporige zaagdiepte te maken.** Overbelasting van de schijf verhoogt de belasting en gevoeligheid voor het draaien of het vastklemmen van de schijf in de zaagsnede en de mogelijkheid van terugslag of schijfbreuk.
- ◆ **Plaats uw lichaam niet in één lijn met en achter de draaiende schijf.** Wanneer de schijf, op het toepassingspunt, van uw lichaam af beweegt, kan de mogelijke terugslag de draaiende schijf en het gereedschap direct op u af voortbewegen.
- ◆ **Wanneer de schijf vastklemt of als u een snede onderbreekt voor welke reden dan ook, schakelt u het gereedschap uit en houdt het gereedschap stil totdat de schijf volledig tot stilstand is gekomen. Probeer nooit de afsnijschijf uit de snede te verwijderen, terwijl de schijf in beweging is, anders kan terugslag optreden.**

Spoor de oorzaak van het klemmen van de schijf op en neem maatregelen om de oorzaak te voorkomen.

- ◆ **Start niet opnieuw de werkzaamheden in het werkstuk. Laat de schijf de maximale snelheid bereiken en plaats deze voorzichtig weer in de snede.** De schijf kan vastklemmen, gaan lopen of terugslaan als het elektrisch gereedschap opnieuw wordt opgestart in het werkstuk.
- ◆ **Ondersteun panelen of een te groot werkstuk om het risico op het vastklemmen van de schijf en terugslag te verkleinen.** Grote werkstukken kunnen onder hun eigen gewicht doorbuigen. Het werkstuk moet aan beide zijden worden ondersteund, in de buurt van de zaagsnede en aan de rand van het werkstuk aan beide kanten van de schijf.
- ◆ **Wees extra voorzichtig bij het maken van een "invallende zaagsnede" in een bestaande wand of in een ander verborst gedeelte.** De uitstekende schijf kan gas-of waterleidingen, elektrische bedrading of objecten die terugslag kunnen veroorzaken doorslijpen.

Aanvullende veiligheidswaarschuwingen specifiek voor schuren

- ◆ **Gebruik geen buitensporig bovenmaats schuurpapier. Volg de aanbevelingen van de fabrikant tijdens het selecteren van schuurpapier.** Groter schuurpapier dat buiten de schuurzool uitsteekt veroorzaakt rijtwondengevaar en kunnen blijven haken, de schijf laten scheuren of laten terugslaan.

Aanvullende veiligheidswaarschuwingen specifiek voor polijsten

- ◆ **Zorg ervoor dat er geen los deel van de polijstvlacht of draden vrij kunnen ronddraaien. Stop eventuele losse draden weg of knip ze af.** Losse en ronddraaiende draden kunnen verstrengeld raken in uw vingers of vasthaken op het werkstuk.

Aanvullende veiligheidswaarschuwingen specifiek voor staalborstelen

- ◆ **Wees ervan bewust dat staalborstels worden rondgegooid door de borstel ook tijdens de gewone uitvoering. Overbelast de draden niet door overmatige belasting van de borstel.** De staalborstels kunnen gemakkelijk dunne kleding of de huid binnendringen.
- ◆ **Als het gebruik van een beschermkap wordt aanbevolen voor staalborstelen, zorg ervoor dat de beschermkap niet de schijf of de borstel hindert.** De schijf of borstel kunnen in de diameter uitzetten door de belasting en middelpuntvliedende krachten.

Veiligheid van anderen

- ◆ Dit apparaat is niet bedoeld voor gebruik door personen (inclusief kinderen) met beperkt lichamelijk, zintuigelijk of geestelijk vermogen, of gebrek aan ervaring en kennis, tenzij ze de supervisie of instructie is gegeven omtrent het gebruik van het apparaat door een persoon die verantwoordelijk is voor hun veiligheid.
- ◆ Houd toezicht op kinderen om te voorkomen dat zij met het apparaat gaan spelen.

Vibratie

De verklaarde trillingsafgifte in het gedeelte van de technische gegevens / conformiteitsverklaring zijn gemeten volgens een standaard testmethode vastgesteld door EN 60745 en kan worden gebruikt om apparaten met elkaar te vergelijken. De verklaarde trillingsafgifte kan ook worden gebruikt in een voorlopige beoordeling van blootstelling.

Waarschuwing! De waarde van de trillingsafgifte tijdens daadwerkelijk gebruik van elektrisch gereedschap kan afwijken van de verklaarde waarde afhankelijk op wat voor manieren het apparaat wordt gebruikt. Het trillingsniveau kan toenemen boven het aangegeven niveau.

Bij het bepalen van de trillingsblootstelling ter vaststelling van de veiligheidsmaatregelen vereist door 2002/44/EG - ter bescherming van personen die werkzaam geregeld elektrisch gereedschap gebruiken - dient een inschatting van de trillingsblootstelling de feitelijke gebruikscondities en bedieningswijze in acht te nemen, inclusief alle onderdelen van de bedieningscyclus, zoals het uitschakelen van het apparaat en het onbelast laten lopen alsmede de trekkertijd.

Labels op de machine

Op de machine vindt u de volgende pictogrammen:



Waarschuwing! De gebruiker moet de handleiding lezen om risico op letsel te verkleinen



Draag een veiligheidsbril als u deze machine bedient.



Draag gehoorbescherming als u dit gereedschap bedient.

Elektrische veiligheid



Deze machine is dubbel geïsoleerd; een aardaansluiting is daarom niet noodzakelijk. Controleer altijd of uw netspanning overeenkomt met de waarde op het typeplaatje.

- ◆ Indien het netsnoer is beschadigd, dient het ter voorkoming van gevaren te worden vervangen door de fabrikant of een erkend servicecentrum.

Onderdelen

Al naar gelang de uitvoering beschikt deze machine over de volgende onderdelen.

1. Aan/uit-schakelaar
2. Zijhandgreep
3. Spindelvergrendeling
4. Beschermkap

Montage

Waarschuwing! Zorg vóór aanvang van de montage dat de machine is uitgeschakeld en de netstekker van het lichtnet is losgekoppeld.

Aanbrengen en verwijderen van de beschermkap (fig. A & B)

Deze machine is uitgerust met een beschermkap alleen voor slijpdoeleinden. Als de machine wordt gebruikt voor doorslijptoeepassingen, moet een specifieke beschermkap voor deze toepassing worden gemonteerd. Een geschikte beschermkap voor doorslijptoeepassingen artikelnummer 1004484-00 & 1004484-01 zijn beschikbaar en verkrijgbaar bij Black & Decker-servicecentra.

Aanbrengen

- ◆ Plaats de machine op een tafel, met de spindel (5) naar boven gericht.
- ◆ Breng de veerring (6) over de spindel aan en leg hem op de juiste plaats (7).
- ◆ Plaats het scherm (4) op de machine zoals afgebeeld.
- ◆ Breng de flens (8) over de spindel aan met de uitstekende puntjes richting beschermkap. Zorg dat de gaten in de flens op één lijn liggen met de schroefgaten.
- ◆ Bevestig de beschermkap met de schroeven (9). Controleer of de schroeven stevig zijn aangedraaid en of de beschermkap gedraaid kan worden.

Verwijderen

- ◆ Verwijder de schroeven (9) met behulp van een schroevendraaier.
- ◆ Verwijder de flens (8), beschermkap (4) en veerring (7). Bewaar deze onderdelen zorgvuldig.

Waarschuwing! Gebruik de machine nooit zonder het scherm.

Aanbrengen van de zijhandgreep

- ◆ Schroef de zijhandgreep (2) in een van de montagegaten van de machine.

Waarschuwing! Gebruik altijd de zijhandgreep.

Monteren en verwijderen van een doorslijp- of slijpschijf (fig. C - E)

Gebruik altijd het juiste type schijf voor uw toepassing.
Gebruik altijd schijven met de juiste diameter en inwendige diameter (zie technische informatie).

Aanbrengen

- ◆ Monteer de beschermkap zoals hierboven beschreven.
- ◆ Plaats de binnenste flens (10) op de spindel (5) zoals afgebeeld (fig. C). Zorg dat de flens op de juiste manier tegen de platte zijden van de spindel is aangebracht.
- ◆ Plaats de schijf (11) op de spindel (5) zoals afgebeeld (fig. C). Als de schijf in het midden een verhoging heeft (12), zorg er dan voor dat deze verhoging naar de binnenste flens gericht is.
- ◆ Zorg dat de schijf op de juiste manier op de binnenste flens rust.
- ◆ Plaats de buitenste flens (13) op de spindel. Let er bij het aanbrengen van een slijpschijf op dat de verhoging in het midden van de buitenste flens naar de schijf toe gericht is (A in fig. D). Let er bij het aanbrengen van een doorslijpschijf op dat de verhoging in het midden van de buitenste flens van de schijf af gericht is (B in fig. D).
- ◆ Houd de spindelvergrendeling (3) ingedrukt, en draai de buitenste flens vast met de steeksleutel met twee pennen (14) (fig. E).

Verwijderen

- ◆ Houd de spindelvergrendeling (3) ingedrukt, en draai de buitenste flens (13) los met de steeksleutel met twee pennen (14) (fig. E).
- ◆ Verwijder de buitenste flens (13) en de schijf (11).

Monteren en verwijderen van schuurschijven (fig. E & F)

Voor schuurwerkzaamheden is een steunschijf vereist. De steunschijf is als accessoire verkrijgbaar bij uw Black & Decker-dealer.

Aanbrengen

- ◆ Plaats de binnenste flens (10) op de spindel (5) zoals afgebeeld (fig. F). Zorg dat de flens op de juiste manier tegen de platte zijden van de spindel is aangebracht.
- ◆ Plaats de steunschijf (15) op de spindel.
- ◆ Plaats de schuurschijf (16) op de steunschijf.
- ◆ Plaats de buitenste flens (13) op de spindel, met de verhoging in het midden van de schijf af gericht.
- ◆ Houd de spindelvergrendeling (3) ingedrukt, en draai de buitenste flens vast met de steeksleutel met twee pennen (14) (fig. E). Vergewis u ervan dat de buitenste flens naar behoren is aangebracht en dat de schijf stevig is vastgeklemd.

Verwijderen

- ◆ Houd de spindelvergrendeling (3) ingedrukt, en draai de buitenste flens (13) los met de steeksleutel met twee pennen (14) (fig. E).
- ◆ Verwijder de buitenste flens (13), de schuurschijf (16) en de steunschijf (15).

Gebruik

Waarschuwing! Laat de machine op haar eigen tempo werken. Niet overbelasten.

- ◆ Geleid de kabel zorgvuldig om te voorkomen dat u deze per ongeluk doorsnijdt.
- ◆ Houd rekening met een grote hoeveelheid aan afspattende vonken zodra de doorslijp- of slijpschijf in aanraking komt met het werkstuk.
- ◆ Houd de machine altijd zodanig dat de beschermkap maximale bescherming biedt tegen de doorslijp- of slijpschijf.

Aan- en uitschakelen

- ◆ Om in te schakelen schuift u de aan/uit-schakelaar (1) naar voren. Let op: de machine blijft draaien als u de schakelaar loslaat.
- ◆ Om uit te schakelen, drukt u op het achterste deel van de aan/uit-schakelaar.

Waarschuwing! Schakel de machine niet uit onder belasting.

Tips voor optimaal gebruik

- ◆ Houd de machine stevig vast, met de ene hand rond de zijhandgreep en de andere hand rond de hoofdhandgreep.
- ◆ Zorg tijdens het slijpen dat er altijd een hoek van ongeveer 15° zit tussen de schijf en het oppervlak van het werkstuk.

Onderhoud

Uw Black & Decker machine met/zonder snoer is ontworpen om gedurende langere periode te functioneren met een minimum aan onderhoud. Voortdurend tevreden gebruik is afhankelijk van correct onderhoud en regelmatig schoonmaken.

Waarschuwing! Vóór aanvang van onderhoudswerkzaamheden aan apparaten met/zonder snoer:

- ◆ Schakel het apparaat / de machine uit en haal de stekker uit het stopcontact.
- ◆ Of schakel het apparaat / de machine uit of verwijder de accu van het apparaat / de machine indien het apparaat / de machine een aparte accu heeft.
- ◆ Of laat de accu volledig leeglopen indien de accu geïntegreerd is en schakel vervolgens uit.
- ◆ Haal voor het reinigen van de oplader de stekker uit het stopcontact. Uw oplader behoeft geen ander onderhoud dan een regelmatige reiniging.
- ◆ Reinig regelmatig de ventilatieopeningen van uw apparaat/machine/oplader met behulp van een zachte borstel of een droge doek.

- ◆ Reinig regelmatig de behuizing van de motor met een vochtige doek. Gebruik geen schuur- of oplosmiddel bij het reinigen.
- ◆ Open regelmatig de boorhouder en tik zachtjes om eventueel stof uit de binnenkant te verwijderen (indien aanwezig).

Milieu



Gescheiden inzameling. Dit product mag niet met het gewone huishoudelijke afval worden weggegooid.

Wanneer uw oude Black & Deckerproduct aan vervanging toe is of het u niet langer van dienst kan zijn, gooi het dan niet bij het huishoudelijk afval. Zorg ervoor dat het product gescheiden kan worden ingezameld.



Door gebruikte producten en verpakkingen gescheiden in te zamelen, worden de materialen gerecycled en opnieuw gebruikt. Hergebruik van gerecyclede materialen voorkomt milieuvuiling en vermindert de vraag naar grondstoffen.

Inzamelpunten voor gescheiden inzameling van elektrische huishoudproducten bij gemeentelijke vuilnisbergen of bij de verkoper waar u een nieuw product koopt, kunnen aan plaatselijke voorschriften gebonden zijn.

Black & Decker biedt de mogelijkheid tot inzamelen en recyclen van afgedankte Black & Decker producten. Om gebruik van deze service te maken, dient u het product aan een van onze servicecentra te sturen, die voor ons de inzameling verzorgen.

U kunt het adres van het dichtstbijzijnde servicecentrum opvragen via de adressen op de achterzijde van deze handleiding. U kunt ook een lijst van onze servicecentra en meer informatie m.b.t. onze klantenservice vinden op het volgende Internet-adres: www.2helpU.com

Technische gegevens

	AST15 TYPE 2	KG725 TYPE 2	KG900 TYPE 2
Spanning	V _{AC} 230	230	230
Opgenomen vermogen	W 900	701	900
Onbelast toerental	min ⁻¹ 10.000	10.000	10.000
Schijfdiameter	mm 115	125	100
Inwendige diameter schijf	mm 22	22	16
Max. schijfdikte			
slijpschijven	mm 6	6	6
doorslijpschijven	mm 3,5	3,5	3,5
Spindelmaat	M14	M14	M10
Gewicht	kg 2,1	2,1	2,1

	KG915 TYPE 2	KG925 TYPE 2
Spanning	V _{AC} 230	230
Opgenomen vermogen	W 900	900
Onbelast toerental	min ⁻¹ 10.000	10.000
Schijfdiameter	mm 115	125
Inwendige diameter schijf	mm 22	22
Max. schijfdikte		
slijpschijven	mm 6	6
doorslijpschijven	mm 3,5	3,5
Spindelmaat	M14	M14
Gewicht	kg 2,1	2,1

Niveau van de geluidsdruk volgens EN 60745:

Geluidsdruk (L_{WA}) 91 dB(A), onzekerheid (K) 3 dB(A)

Geluidsvermogen (L_{WA}) 102 dB(A), onzekerheid (K) 3 dB(A)

Totale trillingswaarden (triaxiale vectorsom) volgens EN 60745:

Oppervlakslijpen (a_{AG}) 7 m/s², onzekerheid (K) 1,5 m/s²

Doorslijpen (a_a) 2,5 m/s², onzekerheid (K) 1,5 m/s²

EG-conformiteitsverklaring MACHINERICHTLIJN



AST15/KG725/KG900/KG915/KG925

Black & Decker verklaart dat deze producten, zoals onder "technische gegevens" beschreven, overeenkomstig zijn met: 98/37/EG (tot 28 dec. 2009), 2006/42/EG (vanaf 29 dec. 2009), EN 60745-1, EN 60745-2-3

Neem voor meer informatie contact op met Black & Decker via het volgende adres of zie de achterzijde van de handleiding.

De ondergetekende is verantwoordelijk voor de samenstelling van de technische gegevens en geeft deze verklaring namens Black & Decker.

Kevin Hewitt
Vice-President Global Engineering
Black & Decker Europe, 210 Bath Road, Slough,
Berkshire, SL1 3YD
Verenigd Koninkrijk
30-9-2009

Garantie

Black & Decker heeft vertrouwen in zijn producten en biedt een uitstekende garantie. Deze garantiebepalingen vormen een aanvulling op uw wettelijke rechten en beperken deze niet. De garantie geldt in de lidstaten van de Europese Unie en de Europese Vrijhandelsassociatie.

Mocht uw Black & Decker product binnen 24 maanden na datum van aankoop defect raken tengevolge van materiaal- of constructiefouten, dan garanderen wij de kosteloze vervanging van defecte onderdelen, de reparatie van het product of de vervanging van het product, tenzij:

- ◆ Het product is gebruikt voor handelsdoeleinden, professionele toepassingen of verhuurdoeleinden;
- ◆ Het product onoordeelkundig is gebruikt;
- ◆ Het product is beschadigd door invloeden van buitenaf of door een ongeval;
- ◆ Reparaties zijn uitgevoerd door anderen dan onze servicecentra of Black & Decker personeel.

Om een beroep op de garantie te doen, dient u een aankoopbewijs te overhandigen aan de verkoper of een van onze servicecentra. U kunt het adres van het dichtstbijzijnde servicecentrum opvragen via de adressen op de achterzijde van deze handleiding. U kunt ook een lijst van onze servicecentra en meer informatie m.b.t. onze klantenservice vinden op het volgende Internet-adres: **www.2helpU.com**

Meld u aan op onze website **www.blackanddecker.nl** om te worden geïnformeerd over nieuwe producten en speciale aanbiedingen. Verdere informatie over het merk Black & Decker en onze producten vindt u op **www.blackanddecker.nl**

Finalidad

La amoladora angular Black & Decker se ha diseñado para cortar metal y mampostería, utilizando el tipo adecuado de disco de corte o de amolado. Esta herramienta está pensada únicamente para uso doméstico.

Instrucciones de seguridad

Advertencias de seguridad generales para herramientas eléctricas



¡Atención! Lea todas las advertencias e instrucciones de seguridad. En caso de no respetarse las advertencias e instrucciones indicadas a continuación, podría producirse una descarga eléctrica, incendio y/o lesión grave.

Conserve todas las advertencias e instrucciones para su posterior consulta. El término "herramienta eléctrica" empleado en las advertencias indicadas a continuación se refiere a la herramienta eléctrica con alimentación de red (con cable) o alimentada por pila (sin cable).

1. Seguridad del área de trabajo

- Mantenga limpia y bien iluminada el área de trabajo.** El desorden o una iluminación deficiente en las áreas de trabajo pueden provocar accidentes.
- No utilice la herramienta eléctrica en un entorno con peligro de explosión, en el que se encuentren combustibles líquidos, gases o material en polvo.** Las herramientas eléctricas producen chispas que pueden llegar a inflamar los materiales en polvo o vapores.
- Mantenga alejados a los niños y otras personas del área de trabajo al emplear la herramienta eléctrica.** Una distracción le puede hacer perder el control sobre la herramienta.

2. Seguridad eléctrica

- El enchufe de la herramienta eléctrica debe corresponder a la toma de corriente utilizada. No es admisible modificar el enchufe en forma alguna. No emplee adaptadores en herramientas eléctricas dotadas con una toma de tierra.** Los enchufes sin modificar adecuados a las respectivas tomas de corriente reducen el riesgo de una descarga eléctrica.
- Evite que su cuerpo toque partes conectadas a tierra como tuberías, radiadores, cocinas y refrigeradores.** El riesgo a quedar expuesto a una descarga eléctrica es mayor si su cuerpo tiene contacto con tierra.
- No exponga las herramientas eléctricas a la lluvia y evite que penetren líquidos en su interior.** Existe el peligro de recibir una descarga eléctrica si penetran ciertos líquidos en la herramienta eléctrica.

- Cuide el cable eléctrico. No utilice el cable eléctrico para transportar o colgar la herramienta eléctrica, ni tire de él para sacar el enchufe de la toma de corriente. Mantenga el cable eléctrico alejado del calor, aceite, bordes afilados o piezas móviles.** Los cables eléctricos dañados o enredados pueden provocar una descarga eléctrica.
- Al trabajar con la herramienta eléctrica en la intemperie utilice solamente cables alargadores homologados para su uso en exteriores.** La utilización de un cable alargador adecuado para su uso en exteriores reduce el riesgo de una descarga eléctrica.
- Si fuera inevitable la utilización de una herramienta eléctrica en un lugar húmedo, utilice un suministro protegido con un dispositivo de corriente residual (RCD).** La utilización de un dispositivo de corriente residual reduce el riesgo de descarga eléctrica.

3. Seguridad personal

- Esté atento a lo que hace y emplee la herramienta eléctrica con prudencia. No utilice la herramienta eléctrica si estuviese cansado, ni tampoco después de haber consumido alcohol, drogas o medicamentos.** El no estar atento durante el uso de una herramienta eléctrica puede provocarle serias lesiones.
- Utilice equipos de protección personal. Lleve siempre protección ocular.** Los equipos de protección tales como una mascarilla antipolvo, zapatos de seguridad con suela antideslizante, casco o protectores auditivos, utilizados en condiciones adecuadas, contribuyen a reducir las lesiones personales.
- Evite una puesta en marcha involuntaria. Asegúrese de que el interruptor esté en la posición de apagado antes de conectar a la fuente de alimentación o la batería, coger o transportar la herramienta.** Si se transportan herramientas eléctricas con el dedo sobre el interruptor o si se enchufan con el interruptor encendido puede dar lugar a accidentes.
- Retire las herramientas de ajuste o llaves fijas antes de conectar la herramienta eléctrica.** Una herramienta o llave colocada en una pieza giratoria de la herramienta eléctrica puede producir lesiones al ponerse a funcionar.
- Sea precavido. Evite adoptar una posición que fatigue su cuerpo; mantenga un apoyo firme sobre el suelo y conserve el equilibrio en todo momento.** Ello le permitirá controlar mejor la herramienta eléctrica en caso de presentarse una situación inesperada.
- Lleve puesta una vestimenta de trabajo adecuada. No lleve vestidos anchos ni joyas. Mantenga su pelo, vestimenta y guantes alejados de las piezas móviles.** La vestimenta suelta, las joyas y el pelo largo se pueden enganchar con las piezas en movimiento.

- g. **Siempre que sea posible utilizar unos equipos de aspiración o captación de polvo, asegúrese que éstos estén montados y que sean utilizados correctamente.**

El empleo de equipos de recogida de polvo reduce los riesgos derivados del polvo.

4. Uso y cuidado de herramientas eléctricas

- a. **No sobrecargue la herramienta eléctrica. Use la herramienta eléctrica prevista para el trabajo a realizar.** Con la herramienta eléctrica adecuada podrá trabajar mejor y más seguro dentro del margen de potencia indicado.
- b. **No utilice herramientas eléctricas con un interruptor defectuoso.** Las herramientas eléctricas que no se puedan conectar o desconectar son peligrosas y deben hacerse reparar.
- c. **Desconecte el enchufe de la fuente eléctrica y/o la batería de la herramienta eléctrica antes de realizar ajustes, cambiar accesorios o almacenar la herramienta eléctrica.** Esta medida preventiva reduce el riesgo de conectar accidentalmente la herramienta eléctrica.
- d. **Guarde las herramientas eléctricas fuera del alcance de los niños y de las personas que no estén familiarizadas con su uso.** Las herramientas eléctricas utilizadas por personas inexpertas son peligrosas.
- e. **Cuide sus herramientas eléctricas con esmero. Controle si funcionan correctamente, sin atascarse, las partes móviles de la herramienta eléctrica, y si existen partes rotas o deterioradas que pudieran afectar al funcionamiento de la herramienta. Si la herramienta eléctrica estuviese defectuosa haga que la reparen antes de volver a utilizarla.** Muchos accidentes se deben a herramientas eléctricas con un mantenimiento deficiente.
- f. **Mantenga las herramientas de corte limpias y afiladas.** Las herramientas de corte mantenidas correctamente se dejan guiar y controlar mejor.
- g. **Utilice la herramienta eléctrica, los accesorios y las puntas de la herramienta, etc. de acuerdo a estas instrucciones, teniendo en cuenta las condiciones de trabajo y la tarea a realizar.** El uso de herramientas eléctricas para trabajos diferentes de aquellos para los que han sido concebidas puede resultar peligroso.

5. Servicio técnico

- a. **Haga reparar su herramienta eléctrica sólo por personal técnico autorizado que emplee exclusivamente piezas de repuesto originales.** Solamente así se garantiza la seguridad de la herramienta eléctrica.

Advertencias de seguridad adicionales para herramientas eléctricas



¡Atención! Advertencias de seguridad adicionales para operaciones de amolado, lijado, cepillado con cepillo metálico, pulido o corte por abrasión.

- ◆ **Esta herramienta eléctrica se ha diseñado para funcionar como amoladora, lijadora, cepillo metálico, pulidora o herramienta de corte. Lea todas las advertencias de seguridad, instrucciones, ilustraciones y especificaciones suministradas con esta herramienta eléctrica.** En caso de no atenerse a las instrucciones de seguridad siguientes, ello puede dar lugar a una descarga eléctrica, incendio o lesión grave.
- ◆ **Las operaciones para las que no se ha diseñado la herramienta eléctrica pueden generar un riesgo y provocar lesiones personales.**
- ◆ **No utilice accesorios que no hayan sido diseñados específicamente y recomendados por el fabricante de la herramienta.** El hecho de que un accesorio pueda acoplarse a su herramienta eléctrica no garantiza un funcionamiento seguro.
- ◆ **La velocidad nominal del accesorio debe ser al menos igual a la velocidad máxima marcada en la herramienta eléctrica.** Los accesorios que funcionan más rápido que su velocidad nominal pueden romperse y salir despedidos.
- ◆ **El diámetro exterior y el grosor del accesorio debe estar dentro de la capacidad nominal de la herramienta eléctrica.** Los accesorios del tamaño incorrecto no puede protegerse ni controlarse correctamente.
- ◆ **El tamaño del diámetro interior de los discos, bridas, almohadillas de soporte o cualquier otro accesorio debe encajar correctamente en el eje de la herramienta eléctrica.** Los accesorios con diámetros interiores que no coincidan con los elementos de montaje de la herramienta eléctrica estarán desequilibrados, vibrarán en exceso y pueden provocar la pérdida de control.
- ◆ **No utilice un accesorio si está dañado. Antes de cada uso inspeccione los accesorios, como los discos abrasivos para ver si hay muescas y grietas, la almohadilla de soporte para ver si hay grietas, rotura o desgaste excesivo, así como el cepillo metálico para ver si faltan alambres o están sueltos. Si se cae la herramienta eléctrica o el accesorio, inspeccione los posibles daños o instale un accesorio sin daños. Tras inspeccionar e instalar un accesorio, haga funcionar la herramienta eléctrica a la velocidad máxima sin carga durante un minuto.** Los accesorios que presenten daños normalmente se romperán durante este tiempo de prueba.

- ◆ **Lleve equipos de protección personal.** En función de la aplicación, utilice una máscara para la cara, gafas de cristal inastillable o protectoras. Si corresponde, lleve mascarilla antipolvo, protectores acústicos, guantes y delantal de taller que puedan detener pequeños fragmentos abrasivos o de la pieza de trabajo. La protección ocular debe poder detener los residuos volantes que se generan con las distintas operaciones. La máscara antipolvo o el respirador debe poder filtrar partículas generadas por la operación. La exposición prolongada al ruido de alta intensidad puede provocar pérdida de audición.
- ◆ **Mantenga a los transeúntes a una distancia segura de la zona de trabajo.** Cualquier persona que entre en la zona de trabajo debe llevar equipos de protección personal. Es posible que salgan despedidos fragmentos de la pieza de trabajo o un accesorio roto en la zona circundante a la operación, provocando lesiones.
- ◆ **Sujete la herramienta eléctrica por las empuñaduras aisladas al realizar trabajos en los que el accesorio de corte pueda tocar cables eléctricos ocultos o su propio cable.** El accesorio de corte que haga contacto con cables con corriente puede hacer que las partes metálicas al descubierto de la herramienta eléctrica provoquen una descarga al usuario.
- ◆ **Coloque el cable lejos del accesorio giratorio.** Si pierde el control, el cable puede resultar cortado o quedar enganchado y su mano o brazo puede ser arrastrado hacia el accesorio giratorio.
- ◆ **No deje la herramienta hasta que el accesorio se haya detenido completamente.** El accesorio giratorio puede dar contra la superficie y hacer que pierda el control de la herramienta eléctrica.
- ◆ **No haga funcionar la herramienta eléctrica mientras la transporta a su lado.** El contacto accidental con el accesorio giratorio puede enganchar su ropa, arrastrando el accesorio hacia su cuerpo.
- ◆ **Limpie periódicamente las ranuras de ventilación de aire de la herramienta eléctrica.** El ventilador del motor arrastra el polvo al interior de la carcasa y la acumulación excesiva de polvo metálico puede generar riesgos eléctricos.
- ◆ **No utilice la herramienta eléctrica cerca de materiales inflamables.** Las chispas pueden inflamar estos materiales.
- ◆ **No utilice accesorios que necesiten refrigerantes líquidos.** La utilización de agua u otros refrigerantes líquidos puede provocar una descarga o electrocución.

Nota: La advertencia anterior no es aplicable a herramientas eléctricas diseñadas específicamente para su uso con un sistema de líquido.

Retroceso y advertencias relacionadas

El retroceso es una reacción súbita que se produce cuando el disco giratorio, la almohadilla de soporte, el cepillo u otro accesorio se engancha o queda pillado. Al engancharse o quedar pillado el accesorio giratorio se produce un calado rápido del mismo, que a su vez empuja a la herramienta eléctrica sin control en la dirección contraria a la rotación del accesorio en el punto de atasco.

Por ejemplo, si un disco abrasivo queda enganchado o pillado por la pieza de trabajo, el extremo del disco que penetra en el punto de pellizco puede clavarse en la superficie del material haciendo que el disco salte hacia atrás o retroceda. El disco puede saltar hacia el usuario o en dirección contraria, en función de la dirección del movimiento del disco en el punto de pellizco. Los discos abrasivos también pueden romperse en estas condiciones.

El retroceso se debe a la utilización inadecuada de la herramienta eléctrica y/o procedimientos o condiciones de trabajo incorrectos y puede evitarse tomando las precauciones que se detallan a continuación:

- ◆ **Agarre con fuerza la herramienta eléctrica y coloque el cuerpo y el brazo de modo que le permitan resistir las fuerzas de retroceso.** Utilice siempre la empuñadura auxiliar, si se suministra, para un control máximo del retroceso o de la reacción de par durante el arranque. El usuario puede controlar las reacciones de par o las fuerzas de retroceso si se toman las precauciones adecuadas.
- ◆ **Nunca coloque las manos cerca del accesorio giratorio.** El accesorio puede retroceder sobre su mano.
- ◆ **No coloque ninguna parte de su cuerpo en la zona donde la herramienta se moverá si se produce retroceso.** El retroceso propulsará la herramienta en la dirección contraria al movimiento del disco en el punto de enganche.
- ◆ **Tenga especial cuidado al trabajar en esquinas, bordes afilados, etc.** Evite que el accesorio rebote y se enganche. Las esquinas, bordes afilados o el rebote favorecen el enganche del accesorio giratorio y provocan la pérdida de control o el retroceso.
- ◆ **No monte una cadena de sierra, una hoja de tallado de madera o una hoja de sierra dentada.** Estos tipos de hojas con frecuencia generan retroceso y pérdida de control.

Instrucciones de seguridad adicionales para operaciones de amolado y corte

Advertencias de seguridad específicas para operaciones de amolado y corte por abrasión

- ◆ **Utilice únicamente los tipos de disco recomendados para su herramienta eléctrica y la protección específica diseñada para el disco seleccionado.** Los discos para los que no se ha diseñado esta herramienta no pueden protegerse correctamente y no son seguros.
- ◆ **La protección debe fijarse bien a la herramienta eléctrica y colocarse para ofrecer la máxima seguridad, de modo que la menor cantidad de disco quede expuesta hacia el usuario.** La protección ayuda a proteger al operario de fragmentos de disco rotos y del contacto accidental con el disco.
- ◆ **Sólo deben utilizarse los discos para las aplicaciones recomendadas. Por ejemplo: no amole con el lateral de un disco de corte.** Los discos de corte por abrasión se han diseñado para el amolado periférico, si se aplican fuerzas laterales a estos discos pueden saltar en pedazos.
- ◆ **Utilice siempre bridas de discos que no presenten daños y que sean del tamaño y forma correctos para el disco seleccionado.** Las bridas de disco correctas pueden soportar el disco y así reducen la posibilidad de rotura del mismo. Las bridas de los discos de corte pueden ser distintas de las bridas de los discos de amolado.
- ◆ **No utilice discos desgastados de herramientas eléctricas de mayor tamaño.** Los discos diseñados para herramientas eléctricas de mayor tamaño no son adecuados para las velocidades más rápidas de una herramienta más pequeña y pueden romperse.

Advertencias de seguridad adicionales específicas para operaciones de corte por abrasión

- ◆ **No "trabe" el disco de corte ni aplique presión en exceso. No intente hacer un corte demasiado profundo.** Si se sobrecarga el disco, aumenta la carga y la susceptibilidad de torcer o atascar el disco en el corte, así como la posibilidad de retroceso o rotura del disco.
- ◆ **No coloque su cuerpo en línea con el disco giratorio ni detrás de éste.** Cuando el disco, en el punto de la operación, se aleja de su cuerpo, el posible retroceso puede propulsar el disco giratorio y la herramienta eléctrica directamente hacia usted.
- ◆ **Cuando el disco se atasca, o en caso de tener que interrumpir un corte por cualquier otro motivo, apague la herramienta eléctrica y no la mueva hasta que se haya detenido completamente el disco. Nunca intente quitar el disco de corte del corte mientras está en movimiento para evitar que se produzca el retroceso.** Investigue y subsane convenientemente la causa del atasco del disco.

- ◆ **No vuelva a empezar la operación de corte en la pieza de trabajo. Deje que el disco alcance la velocidad máxima y vuelva a entrar en el corte con cuidado.** El disco puede atascarse, salirse o retroceder si la herramienta eléctrica se vuelve a poner en marcha en la pieza de trabajo.
- ◆ **Utilice paneles de apoyo o piezas de trabajo de mayor tamaño para minimizar el riesgo de pellizco y retroceso del disco.** Las piezas de trabajo grandes tienden a combarse por su propio peso. Deben colocarse soportes bajo la pieza de trabajo cerca de la línea de corte y cerca del borde de la pieza de trabajo a ambos lados del disco.
- ◆ **Preste especial atención al realizar un "corte por inmersión" en tabiques u otros materiales de composición desconocida.** El disco sobresaliente puede cortar tuberías de gas o agua, cableado eléctrico u objetos que pueden provocar el retroceso.

Advertencias de seguridad específicas para operaciones de lijado

- ◆ **No utilice un disco de papel de lijado de tamaño excesivamente grande. Siga las recomendaciones del fabricante cuando seleccione el papel del lijado.** Si el papel de lijado es de un tamaño mayor que la almohadilla de lijado existe un riesgo de laceración y la posibilidad de que el disco se rompa, se enganche o retroceda.

Advertencias de seguridad específicas para operaciones de pulido

- ◆ **No permita que ninguna parte suelta del cabezal de pulido o sus cuerdas de fijación gire libremente. Remeta o recorte las cuerdas de fijación sueltas.** Si las cuerdas de fijación están sueltas o giran, pueden enredarse en sus dedos o engancharse en la pieza de trabajo.

Advertencias de seguridad específicas para operaciones de cepillado con cepillo metálico

- ◆ **Tenga en cuenta que el cepillo puede soltar alambres incluso durante el funcionamiento normal. No sobrecargue los alambres aplicando una carga excesiva al cepillo.** Los alambres pueden penetrar fácilmente en las prendas ligeras y/o la piel.
- ◆ **Si está recomendado el uso de una protección para el cepillado, no permita que el disco o el cepillo metálico interfiera con la protección.** El disco o el cepillo metálico puede expandir su diámetro debido a la carga de trabajo y las fuerzas centrífugas.

Seguridad de otras personas

- ◆ Este aparato no está destinado para ser utilizado por personas (niños incluidos) con capacidades físicas, sensoriales o mentales reducidas, o que carezcan de experiencia y conocimiento, a menos que reciban supervisión o instrucción respecto al uso del aparato por una persona responsable de su seguridad.
- ◆ Debe vigilarse a los niños para asegurarse de que no jueguen con el aparato.

Vibración

Los valores declarados de emisión de vibración indicados en los datos técnicos y la declaración de conformidad se han medido de acuerdo a un método de prueba estándar contemplado por la EN 60745 y puede utilizarse para comparar una herramienta con otra. El valor declarado de emisión de vibración también puede utilizarse en una evaluación preliminar de exposición.

¡Atención! El valor de emisión de vibración durante el uso real de la herramienta eléctrica puede variar del valor declarado en función del modo de utilización de la herramienta. El nivel de vibración puede aumentar por encima del valor indicado.

Cuando se evalúe la exposición a la vibración con el fin de determinar las medidas de seguridad exigidas por la 2002/44/CE para proteger a las personas que utilizan herramientas eléctricas en su empleo con regularidad, una estimación de la exposición a la vibración debe considerar las condiciones reales de uso y la forma en que se utiliza la herramienta, teniendo en cuenta incluso todas las partes del ciclo de trabajo como los momentos en que la herramienta se apaga y cuando está conectada sin funcionar además del tiempo de accionamiento.

Etiquetas sobre la herramienta

En la herramienta se indican los siguientes pictogramas:



¡Atención! Para reducir el riesgo de lesiones, el usuario debe leer el manual de instrucciones.



Lleve gafas protectoras cuando utilice esta herramienta.



Lleve protectores para los oídos cuando utilice esta herramienta.

Seguridad eléctrica



La herramienta lleva un doble aislamiento; por lo tanto no requiere una toma a tierra. Compruebe siempre que el suministro eléctrico corresponda con la tensión indicada en la placa de datos.

- ◆ Si el cable eléctrico está estropeado, debe ser sustituido por el fabricante o un servicio técnico autorizado de Black & Decker con el fin de evitar accidentes.

Características

Esta herramienta incluye alguna o todas las características siguientes.

1. Interruptor de encendido/apagado
2. Empuñadura lateral
3. Bloqueo del eje
4. Protección

Montaje

¡Atención! Antes de proceder al montaje, compruebe que la herramienta está apagada y desenchufada.

Montaje y desmontaje de la protección (fig. A & B)

La herramienta se suministra con una protección pensada para el amolado únicamente. Si la unidad va a utilizarse para realizar operaciones de corte, debe instalarse una protección específica para esta operación. Se encuentra disponible una protección adecuada para operaciones de corte con número de pieza 1004484-00 & 1004484-01 y pueden obtenerse a través de los centros de servicio técnico de Black & Decker.

Montaje

- ◆ Coloque la herramienta sobre una mesa, con el eje (5) hacia arriba.
- ◆ Coloque la arandela elástica (6) sobre el eje y sitúela sobre el borde (7).
- ◆ Coloque la protección (4) en la herramienta como se muestra.
- ◆ Coloque la brida (8) sobre el eje situando los salientes orientados hacia la protección. Asegúrese de que los orificios de la brida se alineen con los orificios de los tornillos.
- ◆ Sujete la brida con los tornillos (9). Asegúrese de que los tornillos queden totalmente apretados y que se pueda hacer girar la protección.

Desmontaje

- ◆ Utilice un destornillador para retirar los tornillos (9).
- ◆ Retire la brida (8), la protección (4) y la arandela elástica (7). Tenga cuidado al almacenar estas piezas.

¡Atención! Nunca use la herramienta sin la protección.

Montaje de la empuñadura lateral

- ◆ Atornille la empuñadura lateral (2) dentro de uno de los orificios de montaje de la herramienta.

¡Atención! Use siempre la empuñadura lateral.

Montaje y desmontaje de los discos de amolado o de corte (fig. C - E)

Use siempre el tipo correcto de disco para su aplicación.

Use siempre discos con el diámetro exterior e interior correcto (consulte los datos técnicos).

Montaje

- ◆ Instale la protección como se ha descrito anteriormente.
- ◆ Coloque la brida interior (10) sobre el eje (5) como se muestra (fig. C). Asegúrese de que la brida esté correctamente colocada en los lados planos del eje.
- ◆ Coloque el disco (11) sobre el eje (5) como se muestra (fig. C). Si el disco tiene el centro levantado (12), asegúrese de que este centro levantado esté orientado hacia la brida interior.
- ◆ Asegúrese de que el disco encaje correctamente en la brida interior.
- ◆ Coloque la brida exterior (13) sobre el eje. Cuando monte un disco de amolado, el centro levantando de la brida exterior debe estar orientado hacia el disco (A en fig. D). Cuando monte un disco de corte, el centro levantando de la brida exterior debe estar alejado del disco (B en fig. D).
- ◆ Mantenga presionado el bloqueo del eje (3) y apriete la brida exterior empleando la llave de doble tetón (14) (fig. E).

Desmontaje

- ◆ Mantenga presionado el bloqueo del eje (3) y afloje la brida exterior (13) empleando la llave de doble tetón (14) (fig. E).
- ◆ Retire la brida exterior (13) y el disco (11).

Montaje y desmontaje de los discos de lijado (fig. E & F)

Para el lijado, se necesita una almohadilla de soporte. Puede adquirir la almohadilla de soporte como accesorio a través de su distribuidor Black & Decker.

Montaje

- ◆ Coloque la brida interior (10) sobre el eje (5) como se muestra (fig. F). Asegúrese de que la brida esté correctamente colocada en los lados planos del eje.
- ◆ Coloque la almohadilla de soporte (15) sobre el eje.
- ◆ Coloque el disco de lijado (16) sobre la almohadilla de soporte.
- ◆ Coloque la brida exterior (13) sobre el eje con el centro elevado alejado del disco.
- ◆ Mantenga presionado el bloqueo del eje (3) y apriete la brida exterior empleando la llave de doble tetón (14) (fig. E). Asegúrese de que la brida exterior se encuentre correctamente instalada y que el disco esté bien sujeto.

Desmontaje

- ◆ Mantenga presionado el bloqueo del eje (3) y afloje la brida exterior (13) empleando la llave de doble tetón (14) (fig. E).

- ◆ Retire la brida exterior (13), el disco de lijado (16) y la almohadilla de soporte (15).

Uso

¡Atención! Deje que la herramienta funcione a su ritmo. No lo sobrecargue.

- ◆ Guíe con cuidado el cable para evitar que se corte de manera accidental
- ◆ Prepárese para recibir un chorro de chispas en el momento en que el disco de amolado o de corte toque la pieza de trabajo.
- ◆ Coloque siempre la herramienta de forma que la protección le proteja eficazmente del disco de amolado o de corte.

Encendido y apagado

- ◆ Para encender, deslice el interruptor de encendido/apagado (1) hacia delante. Tenga en cuenta que la herramienta sigue funcionando al soltar el interruptor
- ◆ Para apagar, pulse la parte posterior del interruptor de encendido/apagado.

¡Atención! No apague la herramienta mientras esté con carga.

Consejos para un uso óptimo

- ◆ Sujete firmemente la herramienta con una mano alrededor de la empuñadura lateral y con la otra alrededor de la empuñadura principal.
- ◆ Cuando esté amolando, mantenga siempre un ángulo de 15° aproximadamente entre el disco y la superficie de la pieza de trabajo.

Mantenimiento

El aparato/la herramienta Black & Decker con cable/sin cable se ha diseñado para funcionar durante un largo periodo de tiempo con un mantenimiento mínimo. El funcionamiento satisfactorio continuado depende de un cuidado apropiado y una limpieza periódica de la herramienta.

¡Atención! Antes de realizar tareas de mantenimiento en herramientas eléctricas con/sin cable:

- ◆ Apague y desenchufe el aparato/la herramienta.
- ◆ O apague y retire la batería del aparato/la herramienta si el aparato/la herramienta tiene una batería aparte.
- ◆ O agote totalmente la batería si está integrada y, a continuación, apague.
- ◆ Desenchufe el cargador antes de limpiarlo. Su cargador no requiere ningún mantenimiento aparte de una limpieza periódica.
- ◆ Limpie periódicamente las ranuras de ventilación del aparato/la herramienta/el cargador con un cepillo suave o un paño seco.

- ◆ Limpie periódicamente la carcasa del motor con un paño húmedo. No utilice ninguna sustancia limpiadora abrasiva o que contenga disolventes.
- ◆ Abra periódicamente el portabrocas y golpéelo suavemente para extraer el polvo del interior (si está equipado).

Protección del medio ambiente



Separación de desechos. Este producto no debe desecharse con la basura doméstica normal.

Si llega el momento de reemplazar su producto Black & Decker o éste ha dejado de tener utilidad para usted, no lo deseche con la basura doméstica normal. Asegúrese de que este producto se deseche por separado.



La separación de desechos de productos usados y embalajes permite que los materiales puedan reciclarse y reutilizarse. La reutilización de materiales reciclados ayuda a evitar la contaminación medioambiental y reduce la demanda de materias primas.

La normativa local puede prever la separación de desechos de productos eléctricos de uso doméstico en centros municipales de recogida de desechos o a través del distribuidor cuando adquiere un nuevo producto.

Black & Decker proporciona facilidades para la recogida y el reciclado de los productos Black & Decker que hayan llegado al final de su vida útil. Para hacer uso de este servicio, devuelva su producto a cualquier servicio técnico autorizado, que lo recogerá en nuestro nombre.

Pueden consultar la dirección de su servicio técnico más cercano poniéndose en contacto con la oficina local de Black & Decker en la dirección que se indica en este manual. Como alternativa, puede consultar en Internet la lista de servicios técnicos autorizados e información completa de nuestros servicios de posventa y contactos en la siguiente dirección: www.2helpU.com

Características técnicas

		AST15 TYPE 2	KG725 TYPE 2	KG900 TYPE 2
Voltaje	V _{AC}	230	230	230
Potencia absorbida	W	900	701	900
Velocidad sin carga	min ⁻¹	10.000	10.000	10.000
Diámetro del disco	mm	115	125	100
Diámetro interior del disco	mm	22	22	16
Grosor máximo del disco				
discos de amolado	mm	6	6	6
discos de corte	mm	3,5	3,5	3,5
Tamaño del eje		M14	M14	M10
Peso	kg	2,1	2,1	2,1

		KG915 TYPE 2	KG925 TYPE 2
Voltaje	V _{AC}	230	230
Potencia absorbida	W	900	900
Velocidad sin carga	min ⁻¹	10.000	10.000
Diámetro del disco	mm	115	125
Diámetro interior del disco	mm	22	22
Grosor máximo del disco			
discos de amolado	mm	6	6
discos de corte	mm	3,5	3,5
Tamaño del eje		M14	M14
Peso	kg	2,1	2,1

Nivel de presión acústica según EN 60745:

Presión acústica (L_{pa}) 91 dB(A), incertidumbre (K) 3 dB(A)

Potencia acústica (L_{wa}) 102 dB(A), incertidumbre (K) 3 dB(A)

Valores totales de vibración (suma de vector triaxial) según EN 60745:

Amolado en superficie (a_{wAG}) 7 m/s², incertidumbre (K) 1,5 m/s²

Corte (a_w) 2,5 m/s², incertidumbre (K) 1,5 m/s²

Declaración de conformidad CE

DIRECTIVA SOBRE MÁQUINAS



AST15/KG725/KG900/KG915/KG925

Black & Decker declara que los productos descritos en "datos técnicos" son conformes con:
98/37/CE (hasta el 28 de diciembre de 2009), 2006/42/CE (a partir del 29 de diciembre de 2009), EN 60745-1, EN 60745-2-3

Si desea información adicional, contacte con Black & Decker en la siguiente dirección o consulte el dorso de este manual.

El abajofirmante es responsable de la compilación del archivo técnico y hace esta declaración en nombre de Black & Decker.

Kevin Hewitt
Vice-President Global Engineering
Black & Decker Europe, 210 Bath Road, Slough,
Berkshire, SL1 3YD
Reino Unido
30-9-2009

- ◆ Se hayan realizado reparaciones por parte de personas que no sean los servicios de reparación autorizados o personal de servicios de Black & Decker.

Para reclamar en garantía, será necesario que presente la prueba de compra al vendedor o al servicio técnico de reparaciones autorizado. Pueden consultar la dirección de su servicio técnico más cercano poniéndose en contacto con la oficina local de Black & Decker en la dirección que se indica en este manual. Como alternativa, se puede consultar en Internet, en la dirección siguiente, la lista de servicios técnicos autorizados e información completa de nuestros servicios de postventa y contactos:

www.2helpU.com

Visite nuestro sitio web www.blackanddecker.eu para registrar su nuevo producto Black & Decker y mantenerse al día sobre nuestros productos y ofertas especiales. Encontrará información adicional sobre la marca Black & Decker y nuestra gama de productos en www.blackanddecker.eu

Garantía

Black & Decker confía plenamente en la calidad de sus productos y ofrece una garantía extraordinaria. Esta declaración de garantía es una añadido, y en ningún caso un perjuicio para sus derechos estatutarios. La garantía es válida dentro de los territorios de los Estados Miembros de la Unión Europea y de los de la Zona Europea de Libre Comercio.

Si un producto Black & Decker resultará defectuoso debido a materiales o mano de obra defectuosos o a la falta de conformidad, Black & Decker garantiza, dentro de los 24 meses de la fecha de compra, la sustitución de las piezas defectuosas, la reparación de los productos sujetos a un desgaste y rotura razonables o la sustitución de tales productos para garantizar al cliente el mínimo de inconvenientes, a menos que:

- ◆ El producto haya sido utilizado con propósitos comerciales, profesionales o de alquiler;
- ◆ El producto haya sido sometido a un uso inadecuado o negligente;
- ◆ El producto haya sufrido daños causados por objetos o sustancias extrañas o accidentes;

Utilização

A sua rebarbadora Black & Decker foi projectada para cortar metal e alvenaria com o tipo de disco de corte ou de rebarbar apropriado. Esta ferramenta destina-se apenas ao doméstico.

Instruções de segurança

Avisos de segurança gerais para ferramentas eléctricas



Advertência! Leia todos os avisos de segurança e instruções. O não cumprimento dos avisos e instruções a seguir pode resultar em choque eléctrico, incêndio e/ou graves lesões.

Guarde todos os avisos e instruções para futura referência.

O termo "ferramenta eléctrica", utilizado nas advertências que se seguem, refere-se a ferramentas eléctricas com ligação à corrente eléctrica (com fios) ou operadas a pilha (sem fios).

1. Segurança na área de trabalho

- a. **Mantenha a sua área de trabalho limpa e bem iluminada.** Desordem ou áreas de trabalho com fraca iluminação podem causar acidentes.
- b. **Não utilize ferramentas eléctricas em áreas com risco de explosão, nas quais se encontrem líquidos, gases ou pós inflamáveis.** As ferramentas eléctricas produzem faíscas que podem provocar a ignição de pó e vapores.
- c. **Mantenha crianças e outras pessoas afastadas durante a utilização de ferramentas eléctricas.** As distrações podem dar origem a que perca o controlo da ferramenta.

2. Segurança eléctrica

- a. **A ficha da ferramenta eléctrica deve caber na tomada. A ficha não deve ser modificada de modo algum. Não utilize quaisquer fichas de adaptação com ferramentas eléctricas ligadas à terra.** Fichas inalteradas e tomadas adequadas reduzem o risco de choques eléctricos.
- b. **Evite que o corpo entre em contacto com superfícies ligadas à terra, como por exemplo tubos, radiadores, fogões e frigoríficos.** Há um risco elevado de choques eléctricos, caso o corpo seja ligado à terra.
- c. **As ferramentas eléctricas não devem ser expostas à chuva nem a humidade.** A penetração de água numa ferramenta eléctrica aumenta o risco de choques eléctricos.
- d. **Manuseie o cabo com cuidado. O cabo da ferramenta não deve ser utilizado para o transporte, para puxar a ferramenta, nem para retirar a ficha da tomada. Mantenha o cabo afastado de calor, óleo, cantos afiados ou peças em movimento.** Cabos danificados ou torcidos aumentam o risco de choques eléctricos.

- e. **Ao trabalhar com a ferramenta eléctrica ao ar livre, use um cabo de extensão apropriado para utilização no exterior.** O uso de um cabo apropriado para utilização no exterior reduz o risco de choques eléctricos.
- f. **Quando a utilização de uma ferramenta eléctrica num local húmido é inevitável, utilize uma fonte de alimentação protegida com um dispositivo de corrente residual (RCD).** A utilização de um RCD reduz o risco de choques eléctricos.

3. Segurança pessoal

- a. **Mantenha-se atento, observe o que está a fazer e seja prudente durante a utilização de uma ferramenta eléctrica. Não use a ferramenta eléctrica se estiver cansado ou sob a influência de drogas, álcool ou medicamentos.** Um momento de falta de atenção durante a utilização de ferramentas eléctricas pode causar graves lesões.
- b. **Use equipamento de protecção pessoal. Utilize sempre óculos de protecção.** A utilização de equipamento de protecção pessoal, como por exemplo, máscara de protecção contra pó, sapatos de segurança anti-derrapantes, capacete de segurança ou protecção auricular, de acordo com o tipo e aplicação da ferramenta eléctrica, reduz o risco de lesões.
- c. **Evite o accionamento involuntário. Certifique-se de que o interruptor está na posição desligada antes de ligar a ferramenta à corrente eléctrica ou a uma bateria, antes de elevar ou transportar a mesma.** O transporte de ferramentas eléctricas com o dedo no interruptor ou a ligação das mesmas à corrente eléctrica com o interruptor ligado provoca acidentes.
- d. **Retire eventuais chaves de ajuste ou chaves de fenda, antes de ligar a ferramenta eléctrica.** Uma chave de fenda ou chave de ajuste, que se encontre numa peça móvel da ferramenta, pode dar origem a lesões.
- e. **Não se incline. Mantenha-se sempre bem posicionado e em equilíbrio.** Desta forma, poderá ser mais fácil controlar a ferramenta em situações inesperadas.
- f. **Utilize vestuário adequado. Não utilize roupas largas nem jóias. Mantenha o cabelo, roupa e luvas afastados de peças em movimento.** Roupas largas, jóias ou cabelos longos podem ser ficar presos nas peças em movimento.
- g. **Se for prevista a montagem de dispositivos de extracção e recolha de pó, assegure-se de que estão ligados e que são utilizados de forma correcta.** A utilização destes dispositivos reduz os riscos provocados por pó.

4. Utilização e manutenção da ferramenta eléctrica

- a. **Não sobrecarregue a ferramenta eléctrica. Utilize a ferramenta eléctrica correcta para o trabalho que irá realizar.** A ferramenta correcta realizará o trabalho de forma melhor e mais segura dentro da potência indicada.
- b. **Não utilize a ferramenta eléctrica se o interruptor não puder ser ligado nem desligado.** Qualquer ferramenta eléctrica que não possa ser controlada através do interruptor é perigosa e deve ser reparada.
- c. **Desligue a ficha da tomada e/ou a bateria da ferramenta eléctrica antes de efectuar quaisquer ajustes, substituir acessórios ou armazenar a ferramenta eléctrica.** Esta medida de segurança evita que a ferramenta eléctrica seja ligada acidentalmente.
- d. **Mantenha as ferramentas eléctricas que não estiverem a ser utilizadas fora do alcance de crianças.** Não permita que a ferramenta seja utilizada por pessoas não familiarizadas com a mesma ou que não tenham lido estas instruções. As ferramentas eléctricas são perigosas se utilizadas por pessoas não qualificadas.
- e. **Efectue a manutenção das ferramentas eléctricas.** Verifique se as peças móveis funcionam perfeitamente e não emperram, bem como se há peças quebradas ou danificadas que possam influenciar o funcionamento da ferramenta. Em caso de danos, solicite a reparação da ferramenta eléctrica antes da sua utilização. Muitos acidentes têm como causa uma manutenção insuficiente das ferramentas eléctricas.
- f. **Mantenha as ferramentas de corte sempre afiadas e limpas.** As ferramentas de corte, sujeitas a uma manutenção adequada e com extremidades de corte afiadas, emperram com menos frequência e podem ser controladas com maior facilidade.
- g. **Utilize a ferramenta eléctrica, os acessórios e as brocas da ferramenta etc., de acordo com estas instruções. Considere também as condições de trabalho e o trabalho a ser efectuado.** A utilização da ferramenta eléctrica para outros fins que não os previstos pode resultar em situações perigosas.

5. Reparação

- a. **A sua ferramenta eléctrica só deve ser reparada por pessoal qualificado e só devem ser colocadas peças sobressalentes originais.** Desta forma, é assegurada a segurança da ferramenta eléctrica.

Avisos de segurança adicionais para ferramentas eléctricas



Advertência! Avisos de segurança adicionais para rebarbar, lixar, escovar, polir ou operações de corte abrasivo.

- ◆ **Esta ferramenta eléctrica destina-se a funcionar como rebarbadora, lixadora, escova de metal, máquina de polir ou ferramenta de corte. Leia todos os avisos de segurança, instruções, ilustrações e especificações fornecidas com esta ferramenta eléctrica.** O não cumprimento das instruções a seguir apresentadas pode resultar em choque eléctrico, incêndio e/ou graves lesões.
- ◆ **A utilização desta ferramenta eléctrica em operações para as quais não foi concebida, poderá criar risco e resultar em ferimentos pessoais.**
- ◆ **Não utilize acessórios que não tenham sido especificamente concebidos e recomendados pelo fabricante da ferramenta.** Mesmo que o acessório possa ser encaixado na sua ferramenta eléctrica, isso não significa que garanta um funcionamento seguro.
- ◆ **A velocidade nominal do acessório tem de ser, no mínimo, igual à velocidade máxima indicada na ferramenta eléctrica.** Os acessórios que sejam colocados a funcionar a uma velocidade superior à respectiva velocidade nominal podem partir e ser projectados.
- ◆ **O diâmetro exterior e a espessura do seu acessório tem de se adequar à capacidade indicada para a sua ferramenta eléctrica.** Não é possível assegurar a protecção e o controlo adequados de acessórios de dimensões incorrectas.
- ◆ **O tamanho do orifício de admissão de rodas, flanges, discos de protecção ou qualquer outro acessório tem de permitir um encaixe perfeito no fuso da ferramenta eléctrica.** Os acessórios cujos orifícios de admissão não se adequem às peças de montagem da ferramenta eléctrica funcionarão de modo desequilibrado, vibrarão excessivamente e poderão resultar em perda de controlo.
- ◆ **Não utilize um acessório danificado.** Antes de cada utilização, inspecione o acessório como, por exemplo, a existência de lascas e fissuras em rodas abrasivas, fissuras, rasgões ou desgaste excessivo no disco de protecção, cerdas soltas ou partidas na escova de metal. Se uma ferramenta eléctrica ou acessório cair, verifique se apresenta danos ou instale um acessório não danificado. Depois de inspecionar e instalar um acessório, coloque a ferramenta eléctrica em funcionamento na velocidade máxima sem carga durante um minuto. Os acessórios danificados normalmente partem-se durante este período de teste.

- ◆ **Utilize equipamento de protecção pessoal.** Dependendo da aplicação, utilize uma viseira protectora, óculos de protecção ou óculos de segurança. Conforme adequado, utilize uma máscara de protecção contra pó, protectores auditivos, luvas e avental de protecção capazes de proteger contra pequenos fragmentos abrasivos ou da peça de trabalho. A protecção ocular tem de ser capaz de proteger contra detritos projectados, gerados por diversas operações. A máscara de protecção contra pó ou respiratória tem de ser capaz de filtrar partículas geradas pela operação. A exposição prolongada a ruído de alta intensidade poderá provocar perda de audição.
- ◆ **Mantenha as outras pessoas a uma distância segura da área de trabalho. Qualquer pessoa que entre na área de trabalho tem de utilizar equipamento de protecção pessoal.** Existe a possibilidade de projecção de fragmentos da peça de trabalho ou de um acessório partido, resultando em ferimentos em pessoas que se encontrem para além da área imediata de funcionamento da ferramenta.
- ◆ **Segure a ferramenta apenas pelas superfícies de pega isoladas ao efectuar trabalhos durante os quais o acessório de corte possa entrar em contacto com cabos eléctricos escondidos ou com o cabo da ferramenta.** O contacto do acessório de corte com um cabo com tensão coloca as partes metálicas da ferramenta eléctrica sob tensão, resultando em choque eléctrico.
- ◆ **Posicione o cabo afastado do acessório em rotação.** Se perder o controlo, o cabo poderá ser cortado ou puxado e a sua mão ou braço serem puxados na direcção do acessório em rotação.
- ◆ **Nunca largue a ferramenta enquanto o acessório não estiver completamente parado.** O acessório em rotação poderá prender a superfície e puxar a ferramenta eléctrica, dando origem a que perca o controlo da mesma.
- ◆ **Não transporte a ferramenta eléctrica em funcionamento.** O contacto acidental com o acessório em rotação poderá prender as suas roupas, puxando o acessório na direcção do seu corpo.
- ◆ **Limpe regularmente as grades de ventilação da ferramenta eléctrica.** A ventoinha do motor irá aspirar a poeira para o interior da caixa e a acumulação excessiva de pó de metal poderá resultar em riscos eléctricos.
- ◆ **Não utilize a ferramenta eléctrica próximo de materiais inflamáveis.** As faíscas poderão provocar a ignição destes materiais.
- ◆ **Não utilize acessórios que exijam a utilização de refrigerantes líquidos.** A utilização de água ou outros refrigerantes líquidos poderá resultar em electrocussão ou choque.

Nota: O aviso acima não se aplica a ferramentas eléctricas especificamente concebidas para utilização com um sistema líquido.

Contra-golpe e avisos relacionados

O contra-golpe é uma reacção súbita a uma roda, disco de protecção, escova ou outros acessórios em rotação que emperrem ou sejam puxados. Isto resulta na paragem repentina do acessório em rotação o que, por sua vez, força a ferramenta eléctrica descontrolada na direcção oposta à rotação do acessório no ponto de emperramento.

Por exemplo, se uma roda abrasiva for puxada ou emperrar na peça de trabalho, a extremidade da roda que está a entrar no ponto de prensão pode entrar na superfície do material, fazendo com que a roda suba ou salte. A roda poderá ser projectada na direcção do operador ou na direcção oposta, dependendo da direcção do movimento da roda no ponto de prensão. As rodas abrasivas também poderão partir nestas condições.

Um contra-golpe é o resultado de uma utilização errada da ferramenta eléctrica e/ou de procedimentos ou condições de utilização incorrectos, podendo ser evitado com medidas de precaução apropriadas, como descrito a seguir.

- ◆ **Segure firmemente a ferramenta eléctrica e posicione o seu corpo e braço de forma a que possa resistir a forças de contra-golpe. Utilize sempre a pega auxiliar, se fornecida, para um máximo controlo do contra-golpe ou reacção de binário durante o arranque.** O operador pode controlar as reacções de binário ou as forças de contra-golpe, se forem tomadas as devidas precauções.
- ◆ **Nunca coloque as suas mãos próximas do acessório em rotação.** O acessório poderá produzir um contra-golpe na direcção da sua mão.
- ◆ **Não posicione o corpo na área para onde a ferramenta eléctrica se irá deslocar em caso de contra-golpe.** O contra-golpe irá projectar a ferramenta na direcção oposta à do movimento da roda no ponto onde foi puxada.
- ◆ **Tenha especial cuidado durante o trabalho em cantos, extremidades afiadas, etc. Evite fazer ressaltar ou puxar o acessório.** Os cantos, extremidades afiadas ou ressaltos tendem a puxar o acessório em rotação e provocar perda de controlo ou contra-golpe.
- ◆ **Não coloque uma lâmina de esculpir madeira nem uma lâmina com dentes.** Este tipo de lâminas provoca contra-golpes e perdas de controlo frequentes.

Instruções adicionais de segurança para operações de rebarbar e corte

Avisos de segurança específicos para operações de rebarbar e corte abrasivo

- ◆ Utilize apenas tipos de rodas recomendados para a sua ferramenta eléctrica e o resguardo específico, concebido para a roda seleccionada. As rodas não recomendadas para a ferramenta eléctrica não podem ser devidamente protegidas pelo que não são seguras.
- ◆ O resguardo tem de ser firmemente fixo à ferramenta eléctrica e posicionado de modo a proporcionar o máximo de segurança, de modo a que a porção da roda exposta no lado do operador seja mínima. O resguardo ajuda a proteger o operador contra a projecção de fragmentos de roda partida e o contacto com a roda.
- ◆ As rodas apenas devem ser utilizadas para as aplicações recomendadas. Por exemplo: não rebarbe com o lado da roda de corte. As rodas de corte abrasivo destinam-se a rebarbagem periférica. A aplicação de forças laterais nestas rodas poderá resultar na sua quebra.
- ◆ Utilize sempre flanges da roda não danificadas, com o tamanho e formato correctos para a roda seleccionada. Flanges de roda adequadas suportam a roda, reduzindo assim a possibilidade de quebra da mesma. As flanges das rodas de corte podem ser diferentes das flanges das rodas de esmeril.
- ◆ Não utilize rodas gastas provenientes de ferramentas eléctricas de maiores dimensões. Uma roda destinada a uma ferramenta eléctrica de maiores dimensões não se adequa à velocidade de uma ferramenta menor e poderá explodir.

Avisos adicionais de segurança para operações de corte abrasivo

- ◆ Não "encrave" a roda de corte nem aplique pressão excessiva. Não tente criar um corte com profundidade excessiva. O excesso de pressão na roda aumenta a carga e a susceptibilidade de torção ou emperramento da roda no corte e a possibilidade de contra-golpe ou quebra da roda.
- ◆ Não posicione o seu corpo alinhado ou atrás da roda em rotação. Quando a roda, no ponto de operação, se afasta do seu corpo, a possibilidade de contra-golpe poderá projectar a roda em rotação e a ferramenta eléctrica directamente na sua direcção.
- ◆ Se a roda emperrar ou se tiver que interromper o corte por qualquer motivo, desligue a ferramenta eléctrica e segura-a totalmente imóvel até a roda parar completamente. Nunca tente remover a roda de corte do corte, enquanto a mesma estiver em movimento ou poderá ocorrer um contra-golpe. Procure a causa pela qual a roda emperra e tome as devidas medidas correctivas.

- ◆ Não reinicie o corte na peça de trabalho. Deixe a roda atingir a velocidade máxima e volte a introduzi-la cuidadosamente no corte. A roda poderá emperrar, deslocar-se para cima ou produzir um contra-golpe se a ferramenta eléctrica for reiniciada na peça de trabalho.
- ◆ Apoie painéis ou qualquer peça de trabalho de grandes dimensões para reduzir o risco de prensão da roda e contra-golpe. As peças de trabalho de grandes dimensões tentem a curvar-se devido ao seu próprio peso. Devem ser colocados suportes sob a peça de trabalho, junto à linha de corte e extremidade da peça de trabalho, em ambos os lados da roda.
- ◆ Tenha especialmente cuidado, ao efectuar um "corte de encaixe" em paredes ou outras áreas cegas. A roda saliente pode cortar tubos de gás ou água, fios eléctricos ou outros objectos que podem causar um contra-golpe.

Avisos de segurança específicos para operações de lixagem

- ◆ Não utilize papel para disco de lixar de tamanho excessivo. Siga as recomendações do fabricante para seleccionar o papel de lixa. Papel de lixa grande que saia para além da almofada da lixa apresenta risco de laceração e poderá provocar puxões, rasgões no disco ou contra-golpe.

Avisos de segurança específicos para operações de polimento

- ◆ Não permita que qualquer parte solta da cobertura de protecção para polimento ou respectivos fios de fixação rodem livremente. Esconda ou corte qualquer parte solta dos fios de fixação. Os fios de fixação soltos e em rotação podem prender os seus dedos ou puxar a peça de trabalho.

Avisos de segurança específicos para operações de escovagem

- ◆ Tenha atenção às cerdas de metal que são projectadas pela escova mesmo durante uma utilização normal. Não exerça pressão excessiva nas cerdas de metal através da aplicação de carga em excesso na escova. As cerdas de metal podem penetrar facilmente em vestuário leve e/ou na pele.
- ◆ Se se recomendar a utilização de um resguardo para a escovagem, não permita que a roda de raios ou a escova interfiram com o resguardo. A roda de raios ou a escova podem expandir em diâmetro devido à carga de trabalho e às forças centrífugas.

Segurança de outras pessoas

- ◆ Este aparelho não se destina a ser utilizado por pessoas (incluindo crianças) com reduzidas capacidades físicas, sensoriais ou mentais ou falta de experiência e conhecimentos, a menos que tenham recebido instruções ou sejam supervisionadas relativamente à utilização do aparelho por uma pessoa responsável pela sua segurança.
- ◆ As crianças deverão ser vigiadas para que não brinquem no aparelho.

Vibração

Os valores de emissão de vibrações declarados, indicados nos dados técnicos e na declaração de conformidade, foram medidos de acordo com um método de teste padrão providenciado por EN 60745 e podem ser utilizados para efectuar a comparação entre ferramentas.

O valor de emissão de vibrações declarado pode também ser utilizado numa avaliação preliminar da exposição.

Advertência! O valor de emissão de vibrações durante a utilização da ferramenta eléctrica pode divergir do valor declarado, dependendo do modo como a ferramenta é utilizada. O nível de vibrações pode aumentar relativamente ao nível indicado.

Durante a avaliação da exposição a fim de determinar as medidas de segurança requeridas pela directiva 2002/44/CE para a protecção de pessoas que utilizam regularmente ferramentas eléctricas nas respectivas profissões, o cálculo da exposição a vibrações deve considerar as condições reais de utilização e a forma como a ferramenta é utilizada, incluindo a consideração de todas as partes do ciclo de utilização como, por exemplo, as vezes que a ferramenta é desligada e o tempo em que se encontra a funcionar sem carga para além do tempo de accionamento.

Etiquetas da ferramenta

Aparecem os seguintes pictogramas na ferramenta:



Advertência! Para reduzir o risco de ferimentos, o utilizador deve ler o manual de instruções.



Utilize óculos de segurança durante o funcionamento da ferramenta.



Utilize óculos de segurança durante o funcionamento da ferramenta.

Segurança eléctrica



Esta ferramenta está duplamente isolada, pelo que não necessita de fio de terra. Certifique-se sempre de que o fornecimento de energia corresponde à tensão indicada na placa de identificação.

- ◆ Se o cabo de alimentação estiver danificado, deverá ser substituído pelo fabricante ou por um Centro de Assistência autorizado pela Black & Decker, de modo a evitar perigos.

Características

Esta ferramenta inclui algumas ou todas as seguintes características.

1. Interruptor de ligar/desligar
2. Pega lateral
3. Bloqueio do fuso
4. Resguardo

Montagem

Advertência! Antes da montagem, certifique-se de que a ferramenta está desligada da corrente eléctrica.

Colocação e remoção do resguardo (fig. A & B)

A ferramenta é fornecida com um resguardo destinado apenas para rebarbar. Caso a unidade se destine à realização de operações de corte, deverá ser aplicado um resguardo específico para esta operação.

Poderá adquirir um resguardo adequado para as operações de corte com a referência 1004484-00 & 1004484-01 junto dos centros de assistência da Black & Decker.

Colocação

- ◆ Coloque a ferramenta numa mesa, com o fuso (5) para cima.
- ◆ Coloque a anilha de mola (6) por cima do fuso e posicione-a no ressalto (7).
- ◆ Coloque o resguardo (4) na ferramenta, conforme o indicado.
- ◆ Coloque a flange (8) por cima do fuso com as saliências na direcção do resguardo. Certifique-se de que os orifícios na flange estão alinhados com os orifícios dos parafusos.
- ◆ Fixe a flange com os parafusos (9). Certifique-se de que os parafusos estão completamente apertados e que o resguardo pode ser rodado.

Remoção

- ◆ Utilize uma chave de fendas para remover os parafusos (9).
- ◆ Remova a flange (8), o resguardo (4) e a anilha de mola (7). Armazene estas peças cuidadosamente.

Advertência! Nunca utilize a ferramenta sem o resguardo.

Encaixe do punho lateral

- ◆ Enrosque o punho lateral (2) num dos orifícios de montagem disponíveis na ferramenta.

Advertência! Utilize sempre o punho lateral.

Encaixe e remoção dos discos de corte ou de rebarbar (fig. C - E)

Utilize sempre o tipo de disco correcto para cada aplicação.

Utilize discos cujo diâmetro e tamanho do orifício sejam correctos (veja os dados técnicos).

Colocação

- ◆ Encaixe o resguardo conforme descrito acima.
- ◆ Coloque a flange interna (10) no fuso (5) conforme ilustrado (fig. C). Assegure-se de que a flange está localizada correctamente nos lados planos do fuso.
- ◆ Coloque o disco (11) no fuso (5) conforme ilustrado (fig. C). Se o disco tiver o centro elevado (12), assegure-se de que o centro elevado fica orientado para a flange interna.
- ◆ Assegure-se de que o disco fica correctamente posicionado sobre a flange interna.
- ◆ Coloque a flange externa (13) no fuso. Quando for encaixar discos de rebarbar, o centro elevado da flange externa deverá estar orientado para o disco (A na fig. D). Quando for instalar discos de corte, o centro elevado da flange externa deverá estar na direcção oposta ao disco (B na fig. D).
- ◆ Mantenha o bloqueio do fuso (3) para baixo e aperte a flange externa com a chave de dois pinos (14) (fig. E).

Remoção

- ◆ Mantenha o bloqueio do fuso (3) para baixo e solte a flange externa (13) com a chave de dois pinos (14) (fig. E).
- ◆ Remova a flange externa (13) e o disco (11).

Colocação e remoção dos discos de lixar (fig. E & F)

Para lixar, será necessário um disco de protecção. O disco de protecção pode ser obtido como acessório através dos revendedores da Black & Decker.

Colocação

- ◆ Coloque a flange interna (10) no fuso (5) conforme ilustrado (fig. F). Assegure-se de que a flange está localizada correctamente nos lados planos do fuso.
- ◆ Coloque o disco de protecção (15) no fuso.
- ◆ Coloque o disco de lixar (16) no disco de protecção.
- ◆ Coloque a flange externa (13) no fuso com o centro elevado na direcção oposta ao disco.
- ◆ Mantenha o bloqueio do fuso (3) para baixo e aperte a flange externa com a chave de dois pinos (14) (fig. E). Certifique-se de que a flange externa está correctamente colocada e que o disco está devidamente apertado.

Remoção

- ◆ Mantenha o bloqueio do fuso (3) para baixo e solte a flange externa (13) com a chave de dois pinos (14) (fig. E).
- ◆ Remova a flange externa (13), o disco de lixar (16) e o disco de protecção (15).

Utilização

Advertência! Deixe que a ferramenta funcione à vontade.

Não o sobrecarregue.

- ◆ Guie o cabo cuidadosamente para evitar cortá-lo acidentalmente.
- ◆ Prepare-se para a corrente de faíscas quando o disco de rebarbar ou de corte tocar na peça de trabalho.
- ◆ Posicione a ferramenta sempre de maneira que o resguardo ofereça uma protecção óptima contra o disco de rebarbar ou de corte.

Como ligar e desligar a ferramenta

- ◆ Para ligar o aparelho, empurre o interruptor de ligar/desligar (1) para a frente. Note que a ferramenta continua a funcionar depois de largar o interruptor.
- ◆ Para desligá-la, prima a parte traseira do mesmo.

Advertência! Não desligue a ferramenta sob carga.

Sugestões para uma melhor utilização

- ◆ Segure firme a ferramenta com uma mão no punho lateral e a outra no manípulo principal.
- ◆ Quando for rebarbar, mantenha sempre um ângulo aproximado de 15° entre o disco e a superfície da peça de trabalho.

Manutenção

O aparelho/ferramenta com fios/sem fios da Black & Decker foi desenvolvido/a para funcionar por um longo período de tempo com um mínimo de manutenção. O funcionamento contínuo e satisfatório depende de limpeza regular e de manutenção adequada.

Advertência! Antes de realizar qualquer tipo de manutenção em ferramentas eléctricas com fios/sem fios:

- ◆ Desligue o aparelho/ferramenta e retire a ficha da tomada.
- ◆ Ou desligue e retire a bateria do aparelho/ferramenta, caso esta seja fornecida separadamente.
- ◆ Ou descarregue a bateria por completo, caso seja integrada e depois desligue o aparelho/ferramenta.
- ◆ Desligue a ficha do carregador antes de o limpar. O seu carregador não requer qualquer manutenção para além de uma limpeza regular.

- ◆ Limpe regularmente as fendas de ventilação na ferramenta/aparelho/carregador utilizando uma escova macia ou pano seco.
- ◆ Limpe regularmente o compartimento do motor utilizando um pano húmido. Não utilize nenhum detergente abrasivo nem à base de solvente.
- ◆ Abra regularmente o mandril e bata no mesmo para remover qualquer poeira do interior (se equipado).

Protecção do meio ambiente



Recolha em separado. Não deve deitar este produto fora juntamente com o lixo doméstico normal.

Caso chegue o momento em que um dos seus produtos Black & Decker precise de ser substituído ou decida desfazer-se do mesmo, não o deite fora juntamente com o lixo doméstico. Torne este produto disponível para uma recolha em separado.



A recolha em separado de produtos e embalagens utilizados permite que os materiais sejam reciclados e reutilizados. A reutilização de materiais reciclados ajuda a evitar a poluição ambiental e a reduzir a procura de matérias-primas.

Os regulamentos locais poderão providenciar a recolha em separado de produtos eléctricos junto das casas, em lixeiras municipais ou junto dos fornecedores ao adquirir um novo produto.

A Black & Decker oferece um serviço de recolha e reciclagem de produtos Black & Decker que tenha atingido o fim das suas vidas úteis. Para tirar proveito deste serviço, devolva seu produto a qualquer agente de reparação autorizado, que se encarregará de recolher o equipamento em nosso nome.

Para verificar a localização do agente de reparação mais próximo de si, contacte o escritório local da Black & Decker no endereço indicado neste manual. Se preferir, consulte a lista de agentes autorizados da Black & Decker e os dados completos dos nossos serviços de atendimento pós-venda na Internet no endereço: www.2helpU.com

Dados técnicos

		AST15	KG725	KG900
		TYPE 2	TYPE 2	TYPE 2
Voltagem	V_{AC}	230	230	230
Potência	W	900	701	900
Velocidade sem carga	min^{-1}	10.000	10.000	10.000
Diâmetro do disco	mm	115	125	100
Orifício do disco	mm	22	22	16
Espessura máx. do disco				
discos de rebarbar	mm	6	6	6
discos de corte	mm	3,5	3,5	3,5
Tamanho do fuso		M14	M14	M10
Peso	kg	2,1	2,1	2,1

		KG915	KG925
		TYPE 2	TYPE 2
Voltagem	V_{AC}	230	230
Potência	W	900	900
Velocidade sem carga	min^{-1}	10.000	10.000
Diâmetro do disco	mm	115	125
Orifício do disco	mm	22	22
Espessura máx. do disco			
discos de rebarbar	mm	6	6
discos de corte	mm	3,5	3,5
Tamanho do fuso		M14	M14
Peso	kg	2,1	2,1

Nível de pressão acústica segundo a EN 60745:

Pressão acústica (L_{pA}) 91 dB(A), imprecisão (K) 3 dB(A)

Potência acústica (L_{WA}) 102 dB(A), imprecisão (K) 3 dB(A)

Valores totais de vibração (soma vectorial triaxial) segundo a EN 60745:

Desbaste ($a_{h,AG}$) 7 m/s^2 , imprecisão (K) 1,5 m/s^2

Corte ($a_{h,c}$) 2,5 m/s^2 , imprecisão (K) 1,5 m/s^2

Declaração de conformidade CE

DIRECTIVA MÁQUINAS



AST15/KG725/KG900/KG915/KG925

A Black & Decker declara que os produtos descritos na secção "dados técnicos" se encontram em conformidade com: 98/37/CE (até 28 de Dezembro de 2009), 2006/42/CE (a partir de 29 de Dezembro de 2009), EN 60745-1, EN 60745-2-3

Para obter mais informações, queira contactar a Black & Decker através do endereço que se segue ou indicado no verso do manual.

O signatário é responsável pela compilação do ficheiro técnico e apresenta esta declaração em nome da Black & Decker.

Kevin Hewitt

Vice-presidente do Departamento de Engenharia Global
Black & Decker Europe, 210 Bath Road, Slough,
Berkshire, SL1 3YD
Reino Unido
30-9-2009

- ◆ Tenha um histórico de reparações efectuadas por terceiros que não sejam os agentes autorizados ou profissionais de manutenção da Black & Decker.

Para activar a garantia, será necessário enviar a prova de compra ao revendedor ou agente de reparação autorizado. Para verificar a localização do agente de reparação mais próximo de si contacte o escritório local da Black & Decker no endereço indicado neste manual. Se preferir, consulte a lista de agentes autorizados da Black & Decker e os dados completos de nossos serviços de atendimento pós-venda na Internet no endereço: www.2helpU.com

Visite o nosso website www.blackanddecker.eu para registar o seu novo produto Black & Decker e para se manter actualizado sobre novos produtos e ofertas especiais. Estão disponíveis mais informações sobre a Black & Decker e sobre a nossa gama de produtos em www.blackanddecker.eu

Garantia

A Black & Decker confia na qualidade de seus produtos e oferece um programa de garantia excelente. Esta declaração de garantia soma-se aos seus direitos legais e não os prejudica em nenhum aspecto. A garantia será válida nos territórios dos Estados Membros da União Europeia e na Área de Livre Comércio da Europa.

Caso algum produto da Black & Decker apresente avarias devido a defeitos de material, mão-de-obra ou ausência de conformidade no prazo de 24 meses a partir da data de compra, a Black & Decker garantirá a substituição das peças defeituosas, a reparação dos produtos que foram submetidos a uso adequado e remoção ou substituição dos mesmos para assegurar o mínimo de inconvenientes ao cliente a menos que:

- ◆ O produto tenha sido utilizado para fins comerciais, profissionais ou aluguer;
- ◆ O produto tenha sido submetido a uso incorrecto ou descuido;
- ◆ O produto tenha sofrido danos causados por objectos estranhos, substâncias ou acidentes;

Användningsområde

Din Black & Decker vinkelslip är avsedd till att skära i metall och murverk med rätt typ av kap- eller slipskiva. Verket är endast avsett som konsumentverktyg.

Säkerhetsregler

Allmänna säkerhetsvarningar för motordrivna verktyg



Varning! Läs alla säkerhetsvarningar och alla anvisningar. Fel som uppstår till följd av att varningarna och anvisningarna nedan inte följts kan orsaka elchock, brand och/eller allvarliga kroppsskador.

Spara alla varningar och anvisningar för framtida referens.

Nedan använt begrepp lverktyg hänför sig till nätdrivna elverktyg (med nätsladd) och till batteridrivna elverktyg (sladdlösa).

1. Säkerhet för arbetsområdet

- Håll arbetsplatsen ren och välbelyst.** Oordning på arbetsplatsen och dåligt belyst arbetsområde kan leda till olyckor.
- Använd inte elverktuget i explosionsfarlig omgivning med brännbara vätskor, gaser eller damm.** Elverktuget alstrar gnistor som kan antända dammet eller gaserna.
- Håll under arbetet med elverktuget barn och obehöriga personer på betryggande avstånd.** Om du störs av obehöriga personer kan du förlora kontrollen över elverktuget.

2. Elsäkerhet

- Elverktugets stickkontakt måste passa i vägguttaget. Ändra aldrig stickkontakten på något sätt. Använd inte adapterkontakter tillsammans med skyddsjordade elverktyg.** Oförändrade stickkontakter och passande vägguttag minskar risken för elchock.
- Undvik kroppskontakt med jordade ytor som t.ex. rör, värmeelement, spisar och kylskåp.** Det finns en större risk för elchock om din kropp är jordad.
- Skydda elverktuget mot regn och väta.** Tränger vatten in i ett elverktyg ökar risken för elchock.
- Misshandla inte nätsladden. Använd inte sladden för att bära eller hänga upp elverktuget och inte heller för att dra stickproppen ur vägguttaget. Håll nätsladden på avstånd från värme, olja, skarpa kanter och rörliga maskindelar.** Skadade eller tilltrasslade sladdar ökar risken för elchock.
- Använd endast förlängningssladdar som är godkända för utomhusbruk när du arbetar med ett elverktyg utomhus.** Om en förlängningssladd avsedd för utomhusbruk används minskar risken för elchock.

- Om man måste använda ett elverktyg på en fuktig plats bör man använda ett uttag som skyddats med en restströmsanordning (RCD).** Vid användning av en restströmsanordning (RCD) minskar risken för elektriska stötar.

3. Personlig säkerhet

- Var uppmärksam, se på vad du gör och använd elverktuget med förnuft. Använd inte elverktuget när du är trött eller om du är påverkad av droger, alkohol eller mediciner.** Under användning av elverktyg kan ett ögonblicks bristande uppmärksamhet leda till allvarliga kroppsskador.
 - Använd personlig skyddsutrustning. Bär alltid skyddsglasögon.** Den personliga skyddsutrustningen, som t.ex. dammfiltermask, halkfria skyddsskor, hjälm eller hörselskydd, som bör användas under de gällande omständigheterna minskar risken för kroppsskada.
 - Undvik att verktyget startas av misstag. Kontrollera att strömställaren står i läge från innan du ansluter till vägguttaget och/eller batteripaketet, lyfter upp eller bär verktyget.** Det kan vara mycket farligt att bära ett elverktyg med fingret på strömbrytaren eller koppla det till nätet med strömbrytaren på.
 - Ta bort alla inställningsverktyg och skruvnycklar innan du startar elverktuget.** Ett verktyg eller en nyckel i en roterande komponent kan medföra kroppsskada.
 - Sträck dig inte för långt. Se till att du alltid har säkert fötäfte och balans.** På så sätt kan du lättare kontrollera elverktuget i oväntade situationer.
 - Bär lämplig klädsel. Bär inte löst hängande kläder eller smycken. Håll hår, kläder och handskar undan från rörliga delar.** Löst hängande kläder, smycken och långt hår kan dras in av roterande delar.
 - Om elverktuget är utrustat med dammsugnings- och -uppsamlingsutrustning, kontrollera att dessa anordningar är rätt monterade och att de används på korrekt sätt.** Dammuppsamling minskar riskerna för dammrelaterade olyckor.
- #### 4. Bruk och skötsel av elverktyg
- Överbelasta inte elverktuget. Använd rätt elverktyg för det aktuella arbetet.** Med ett lämpligt elverktyg kan du arbeta bättre och säkrare inom angivet effektområde.
 - Ett elverktyg med defekt strömbrytare får inte användas.** Ett elverktyg som inte kan kopplas till eller från är farligt och måste repareras.
 - Driv ut stickkontakten ur vägguttaget och/eller batteripaketet ur det motordrivna verktyget innan inställningar utförs, tillbehörsdelar byts ut eller det motordrivna verktyget ställs undan.** Denna skyddsåtgärd förhindrar oavsiktlig inkoppling av elverktuget.

- d. Förvara elverktygen oåtkomliga för barn. Låt inte elverktyget användas av personer som inte är förtrogna med dess användning eller inte läst denna anvisning. Elverktyg är farliga om de används av oerfarna personer.
- e. Sköt elverktyget omsorgsfullt. Kontrollera att rörliga komponenter fungerar felfritt och inte kärvar, att komponenter inte brustit eller skadade och inget annat föreligger som kan påverka elverktygets funktioner. Låt skadade delar repareras innan elverktyget används på nytt. Många olyckor orsakas av dåligt skötta elverktyg.
- f. Håll skärverktyg skarpa och rena. Omsorgsfullt skötta skärverktyg med skarpa eggar fastnar inte så lätt och går lättare att styra.
- g. Använd det motordrivna verktyget, tillbehör och insatsverktyg etc. enligt dessa anvisningar. Ta hänsyn till arbetsvillkoren och arbetsmomenten. Används elverktyget på icke ändamålsenligt sätt kan farliga situationer uppstå.

5. Service

- a. Låt endast elverktyget repareras av kvalificerad fackpersonal och med originalreservdelar. Detta garanterar att elverktygets säkerhet bibehålls.

Extra säkerhetsvarningar för elverktyg



Varning! Ytterligare säkerhetsvarningar för slipning, polering, stålborstning, polishing eller kapning

- ◆ Detta elverktyg är avsett att fungera som slipmaskin, stålborste, polermaskin eller kapverktyg. Läs alla säkerhetsvarningar, anvisningar, bilder och specifikationer som levereras med detta elverktyg. Fel som uppstår till följd av att anvisningarna nedan inte följts kan orsaka elchock, brand och/eller allvarliga kroppsskador.
- ◆ Arbetsmoment för vilka elverktyget inte är konstruerat kan innebära risker och leda till personskador.
- ◆ Använd inte tillbehör som inte är speciellt konstruerade och rekommenderas av verktygstillverkaren. Trots att tillbehöret kan monteras på elverktyget, är det ingen garanti för säker användning.
- ◆ Tillbehörets märkhastighet måste vara minst lika hög som det motordrivna elverktygets maximala hastighet. Tillbehör som går snabbare än deras märkhastighet kan gå sönder och flyga i väg.
- ◆ Tillbehörets ytterdiameter och tjocklek måste ligga inom elverktygets kapacitetsbegränsningar. Felaktigt dimensionerade tillbehör kan inte skyddas eller kontrolleras på ett korrekt sätt.
- ◆ Infästningshål för hjul, flänsar, stödskivor eller andra tillbehör måste passa exakt till elverktygets spindel. Tillbehör med infästningshål som inte passar till elverktygets monteringsdetaljer kommer i obalans, vibrerar kraftigt och kan leda till förlust av kontrollen.
- ◆ Använd aldrig ett skadat tillbehör. Före varje användning, kontrollera tillbehöret som slipskivor med avseende på spån och sprickor, stödskivor med avseende på sprickor, slitage eller kraftigt nötning, stålborstar med avseende på lösa eller spruckna trådar. Om verktyget eller ett tillbehör tappas, kontrollera det då med avseende på skador eller montera ett oskadat tillbehör. Efter inspektion och montering av ett tillbehör, kör verktyget med maximal tomgångshastighet i en minut. Skadade tillbehör kommer normalt att gå sönder under en sådan test.
- ◆ Använd personlig skyddsutrustning. Beroende på tillämpning, använd ansiktsmask, säkerhets- eller skyddsglasögon. Beroende på lämplighet, använd dammskydd, hörselskydd, handskar och förkläde som kan stoppa små vassa föremål eller bitar av arbetsstycket. Skyddsglasögonen måste kunna stoppa flygande fiisor som skapas under olika arbetsmoment. Dammskyddet eller andningskyddet måste kunna filtrera partiklar som bildas under arbetets gång. Att under längre tid utsättas för buller kan leda till hörselskador.
- ◆ Håll kringstående på säkert avstånd från arbetsområdet. Var och en som kommer in på arbetsområdet måste bära personlig skyddsutrustning. Fragment från arbetsstycket eller ett defekt tillbehör kan flyga iväg och orsaka skador utanför det direkta arbetsområdet.
- ◆ Håll fast verktyget endast vid de isolerade handtagen när ett arbetsmoment utförs på ställen där det skärande tillbehöret kan skada dolda elledningar eller egen nätsladd. Om sågtillebehöret kommer i kontakt med en spänningsförande ledning sätts elverktygets metalldelar under spänning vilket kan leda till elektriska stötar.
- ◆ Placera nätkabeln på behörigt avstånd från roterande tillbehör. Om du förlorar kontrollen, kan kabeln skaras av eller skadas och din hand eller arm kan dras in i det roterande tillbehöret.
- ◆ Lagg aldrig ifrån dig verktyget innan tillbehöret har stannat helt. Det roterande tillbehöret kan ta tag i ytan och förflytta verktyget utom din kontroll.
- ◆ Kör inte verktyget samtidigt som du bär det vid din sida. Oavsiktlig kontakt med det roterande verktyget kan medföra kontakt med dina kläder, och dra verktyget mot din kropp.
- ◆ Rengör regelbundet verktygets ventilationsöppningar. Motorns fläkt kommer att suga in dammet i höljet och kraftig ansamling av pulvriserad metall kan innebära risk för elektriska skador.

- ◆ **Använd inte verktyget i närheten av brandfarliga ämnen.** Gnistor kan antända dessa material.
- ◆ **Använd inte tillbehör som kräver flytande kylmedel.** Användning av vatten eller andra kylmedel kan medföra risk för livsfarliga elstötar.

Obs!: Ovanstående varning gäller inte motordrivna verktyg som är speciellt konstruerade att användas med ett flytande system.

Bakslag och likartade varningar

bakslag är en plötslig reaktion på en fastklämt eller fasthakat roterande hjul, stödskivor, borstar eller andra tillbehör. Fastklämning eller fasthakning orsakar snabbt stopp av det roterande tillbehöret vilket i sin tur leder till att det okontrollerade verktyget tvingas att röra sig i motsatt riktning till tillbehörets rotation i kärvningspunkten.

Om t.ex. en slipskiva hakar eller kläms fast av arbetsstycket, kan den kant på skivan som går in i fastklämningspunkten gräva in sig i materialet vilket kan leda till att skivan hoppar eller kastas ut ur spåret. Skivan kan antingen hoppa mot eller bort från användaren, beroende på skivan rotationsriktning i fastklämningspunkten. Slipskivor kan också knäckas i sådana fall.

Bakslag uppstår till följd av missbruk och/eller felaktig hantering av verktyget. Detta kan undvikas genom skyddsåtgärder som beskrivs nedan.

- ◆ **Håll stadigt i verktyget med båda händerna, stå stadigt och håll armarna i ett läge som möjliggör att hålla stånd mot de bakslagskrafter som eventuellt uppstår. Använd alltid hjälphandtaget, om sådant finns, för maximal kontroll av bakslag eller vridmoment under uppstart.** Bakslagskrafterna kan kontrolleras av användaren om man har vidtagit korrekta försiktighetsåtgärder.
- ◆ **Håll aldrig händerna nära ett roterande tillbehör.** Tillbehör kan ge bakslag över din hand.
- ◆ **Stå inte i det område där verktyget kommer att röra sig vid eventuellt bakslag.** Ett bakslag kommer att driva verktyget i motsatt riktning mot skivans rörelse i fasthakningspunkten.
- ◆ **Var extra försiktig vid arbete med hör, skarpa kanter etc. Undvik att tillbehöret studsar eller hakar fast.** Hörn, skarpa kanter eller studsar har en tendens att haka fast det roterande tillbehöret vilket kan leda till förlust av kontrollen och bakslag.
- ◆ **Fäst inte en kedja med klinga för träsnideri eller tandat sågblad.** Sådana klingor orsakar frekventa bakslag och förlust av kontrollen.

Tillkommande säkerhetsanvisningar för slipning och kapning

Säkerhetsvarningar specifikt för slipning och kapning

- ◆ **Använd endast skivor som är rekommenderade för elverktyget och det specifika skydd som är konstruerat för den valda skivan.** Skivor som inte är konstruerade för elverktyget kan inte skyddas tillräckligt och är osäkra.
- ◆ **Skyddet måste fästas ordentligt på elverktyget och placeras för att ge maximalt skydd, så att så lite som möjligt av skivan är exponerad mot användaren.** Skyddet hjälper till att skydda användaren mot småbitar från skivan och oavsiktlig kontakt med skivan.
- ◆ **Skivor får endast användas för sådant de är rekommenderade för att utföra. Till exempel: slipa inte med sidan av en kapskiva.** Kapskivor är avsedda för perifer slipning, om man utsätter dessa skivor för sidokrafter kan de splittras.
- ◆ **Använd alltid oskadade hjulflansar av korrekt storlek och form för den valda skivan.** Ordentliga hjulflansar stöder skivan och minskar därmed risken för skivbrott. Flansar för kapskivor kan vara annorlunda än flansar för slipskivor.
- ◆ **Använd inte nedslitna skivor från större elverktyg.** Skivor avsedda för större elverktyg är inte lämpliga för de höga hastigheterna hos mindre verktyg och kan spricka.

Ytterligare säkerhetsvarningar, speciella för slipande kapning

- ◆ **Rensa inte kapskivan eller utöva kraftigt tryck. Försök inte säga med stort djup.** Överbelastning av skivan ökar lasten och känsligheten för vridning eller fastläsning av skivan i spåret och risken för bakslag eller skivbrott.
- ◆ **Bevinn dig aldrig i linje med och bakom den roterande skivan.** När skivan, i driftläget, rör sig bort ifrån dig, kan ett eventuellt bakslag driva den roterande skivan och verktyget direkt mot dig.
- ◆ **Om skivan kommer i kläm eller avbryts av annan orsak, slå då av verktyget och håll det stilla tills skivan har stannat helt. Försök aldrig att ta bort kapskivan så länge skivan roterar, om inte finns risk finns för att bakslag uppstår.** Lokalisera orsaken för fastklämd skiva och avhjälpe felet.
- ◆ **Återuppta inte kapningen i arbetsstycket. Låt skivan uppnå maximal hastighet och fortsätt kapningen med största försiktighet.** Skivan kan fastna, resa sig eller slå bakut om verktyget återstartas i arbetsstycket.
- ◆ **Stöd stora skivor, och andra större arbetsstycken, för att minska risken för bakslag till följd av fastklämd skiva.** Stora och tunga arbetsstycken tenderar att böjas under sin egen vikt. Stöden måste därför stödas på båda sidorna både i närheten av kapspåret och nära skivans kanter, på båda sidor om skivan.

- ♦ **Var speciellt försiktig vid "insågning" i befintliga väggar, eller andra dolda områden.** Den inträngande skivan kan kapa gas- eller vattenledningar, elledningar eller föremål som kan orsaka bakslag.

Säkerhetsvarningar specifika för slipning

- ♦ **Använd inte överdrivet stora skivslippapper. Följ tillverkarens rekommendationer vid val av slippapper.** Större slippapper, som sträcker sig utanför slippyndan, utgör en risk för söndertrasning och kan leda till fasthakning, nötning av skivan eller bakslag.

Säkerhetsvarningar specifika för polering

- ♦ **Låt inga lösa delar av polerhättan eller dess fästremmar rotera fritt. Stoppa in eller kapa bort alla lösa fästremmar.** Lösa och roterande fästremmar kan trassla in sig i fingrarna eller fastna i arbetsstycket.

Säkerhetsvarningar specifika för stålborstning

- ♦ **Tänk på att trådborst kastas ut av borsten även under normal användning. Överbelasta inte trådarna genom att trycka överdrivet hårt på borsten.** Trådborsten kan lätt tränga igenom kläder och/eller hud.
- ♦ **Om användning av skydd rekommenderas för stålborstning, tillåt då ingen kontakt mellan trådskivan eller borsten och skyddet.** Trådskiva eller borste kan öka i diameter beroende på arbetslast och centrifugalkrafter.

Andra personers säkerhet

- ♦ Apparaten är inte avsedd att användas av personer (inklusive barn) med försvagade fysiska, sensoriska eller mentala förmågor, eller som saknar erfarenhet och kunskaper, om de inte får övervakning eller undervisning i användning av apparaten av någon som ansvarar för deras säkerhet.
- ♦ Håll uppsyn så att inga barn leker med apparaten.

Skakas

De angivna vibrationsemissionsvärdena i tekniska data / försäkringen om överensstämmelse har uppmätts enligt en standardtestmetod som tillhandahålls av EN 60745 och kan användas för att jämföra olika verktyg med varandra.

De angivna vibrationsemissionsvärdena kan även användas för en preliminär beräkning av exponering.

Varning! Vibrationsemissionsvärdet under faktisk användning av elverktyget kan skilja sig från det angivna värdet beroende på hur verktyget används. Vibrationsnivån kan överstiga den angivna nivån.

Vid beräkning av vibrationsexponering för att bestämma säkerhetsåtgärder enligt 2002/44/EG för att skydda personer som regelbundet använder elverktyg i arbetet, bör en beräkning av vibrationsexponeringen ta med i beräkningen de faktiska användningsförhållandena och sättet verktyget används, inkluderande att man tar med i beräkningen alla delar av användningscykeln, förutom själva "avtryckartiden" även t.ex. när verktyget är avstängt och när det går på tomgång.

Märken på verktyget

Följande symboler finns på verktyget:



Varning! För att minska risken för skador måste användaren läsa igenom bruksanvisningen.



Använd skyddsglasögon under arbetet med maskinen.



Använd hörselskydd under arbetet med maskinen.

Elsäkerhet



Eftersom verktyget är dubbelisolerat behövs ingen jordledare. Kontrollera alltid att nätspänningen överensstämmer med värdet på märkplåten.

- ♦ Om nätsladden är skadad måste den bytas ut av tillverkaren eller en godkänd Black & Deckerserviceverkstad för att undvika en risksituation.

Detaljbeskrivning

Verktyget har en del eller samtliga av nedanstående funktioner.

1. Strömbrytare
2. Sidohandtag
3. Spindellås
4. Skydd

Montering

Varning! Se till att verktyget är avstängt samt att det inte är anslutet innan monteringen börjar.

Montering och borttagning av skyddet (fig. A & B)

Verktyget är försedd med ett skydd som bara är avsett för slipning. Om verktyget är avsett för kapning, måste ett speciellt skydd för detta monteras. Ett lämpligt skydd för kapning, artikelnummer 1004484-00 & 1004484-01, finns tillgängligt och kan införskaffas från Black & Deckers servicecentra.

Montering

- ◆ Lägg verktyget på ett bord med spindeln (5) uppåt.
- ◆ Placera in fjäderbrickan (6) över spindeln och passa in den på ansatsen (7).
- ◆ Placera skyddet (4) på verktyget enligt figuren.
- ◆ Placera flänsen (8) över spindeln med de utskjutande delarna mot skyddet. Se till att hålen i flänsen stämmer överens med skruvhålen.
- ◆ Fäst flänsarna ordentligt med skruvarna (9). Se till att skruvarna sitter riktigt fast och att skyddet kan vridas.

Borttagning

- ◆ Avlägsna skruvarna (9) med en skruvmejsel.
- ◆ Ta av flänsen (8), skyddet (4) och fjäderbrickan (7).
Ta hand om dessa delar ordentligt.

Varning! Använd aldrig verktyget utan skyddet.

Montering av sidohandtaget

- ◆ Skruva in sidohandtaget (2) i ett av monteringshålen i verktyget.

Varning! Använd alltid sidohandtaget.

Montering och avlägsnande av slip- och kapskivor (fig. C - E)

Använd alltid rätt typ av skiva för det aktuella ändamålet.

Använd alltid skivor med rätt diameter och mått i axelhål (se tekniska data).

Montering

- ◆ Montera skyddet enligt ovanstående beskrivning.
- ◆ Placera den inre flänsen (10) på spindeln (5) enligt bilden (fig. C). Se till att flänsen ligger ordentligt med den flata sidan mot spindeln.
- ◆ Placera skivan (11) på spindeln (5) enligt bilden (fig. C). Om skivan har en upphöjning i mitten (12) måste denna upphöjning ligga mot den inre flänsen.
- ◆ Kontrollera att skivan ligger ordentligt på den inre flänsen.
- ◆ Placera den yttre flänsen (13) på spindeln. Vid montering av en slipskiva måste upphöjningen i den yttre flänsens mitt ligga mot skivan (A i fig. D). Vid montering av en kapskiva måste upphöjningen i den yttre flänsens mitt ligga bort från skivan (B i fig. D).
- ◆ Håll spindellåset (3) intryckt och dra åt den yttre flänsen med tvåstiftsnyckeln (14) (fig. E).

Borttagning

- ◆ Håll spindellåset (3) intryckt och lossa den yttre flänsen (13) med tvåstiftsnyckeln (14) (fig. E).
- ◆ Avlägsna den yttre flänsen (13) och skivan (11).

Montering och demontering av slippapper (fig. E & F)

För slipning krävs en stödskiva. Denna finns tillgänglig som tillbehör från din Black & Decker återförsäljare.

Montering

- ◆ Placera den inre flänsen (10) på spindeln (5) enligt bilden (fig. F). Se till att flänsen ligger ordentligt med den flata sidan mot spindeln.
- ◆ Placera stödskivan (15) på spindeln.
- ◆ Placera slippapperet (16) på stödskivan.
- ◆ Placera den yttre flänsen (13) på spindeln med upphöjningen i mitten riktad bort från skivan.
- ◆ Håll spindellåset (3) intryckt och dra åt den yttre flänsen med tvåstiftsnyckeln (14) (fig. E). Se till att den yttre flänsen är korrekt monterad och att skivan är riktigt fastspänd.

Borttagning

- ◆ Håll spindellåset (3) intryckt och lossa den yttre flänsen (13) med tvåstiftsnyckeln (14) (fig. E).
- ◆ Avlägsna den yttre flänsen (13), slippapperet (16) och stödskivan (15).

Användning

Varning! Överbelasta inte maskinen, låt den arbeta i sin egen takt.

- ◆ Var noga med hur du leder sladden så att du inte råkar skära i den.
- ◆ Var beredd på en kvast av gnistor när slip- eller kapskivan vidrör arbetsstycket.
- ◆ Håll verktyget alltid så att skyddet ger maximal avskärmning av slip- eller kapskivan.

Start och stopp

- ◆ Skjut strömbrytaren (1) framåt för att starta apparaten. Kom i håg att verktyget fortsätter att vara i gång när du släpper strömbrytaren.
- ◆ Tryck på strömbrytarens bakre del för att stänga av.

Varning! Stäng inte av verktyget när det belastas.

Råd för bästa resultat

- ◆ Håll verktyget stadigt med ena handen runt sidohandtaget och den andra runt huvudhandtaget.
- ◆ En slipskiva bör alltid hållas in en vinkel på ca. 15° gentemot arbetsstyckets yta.

Underhåll

Ditt Black & Decker-verktyg, med eller utan nätkabel, har tillverkats för att fungera under lång tid med ett minimum av underhåll. Med rätt underhåll och regelbunden rengöring behåller verktyget sin prestanda.

Varning! Före varje typ av underhåll på nätanlutna/sladdlösa elverktyg:

- ◆ Stäng av apparaten/verktyget och drag ur kontakten.
- ◆ Eller stäng av och ta bort batteriet från utrustningen/verktyget om utrustningen/verktyget har ett separat batteripaket.

- ◆ Eller töm batteriet helt om det är inbyggt och stäng sedan av.
- ◆ Tag ur laddarkontakten före rengöring. Laddaren behöver inget underhåll förutom regelbunden rengöring.
- ◆ Rengör regelbundet ventilationsöppningarna på apparaten/verktyget/laddaren med en mjuk borste eller torr trasa.
- ◆ Rengör kåpan regelbundet med en fuktig trasa. Använd aldrig rengöringsmedel med lösnings- eller slipmedel i.
- ◆ Öppna chucken regelbundet och knacka på den för att avlägsna eventuellt damm som hamnat inuti den (när den är monterad).

Miljöskydd



Särskild insamling. Denna produkt får inte kastas bland vanliga hushållssopor.

Om du någon gång i framtiden behöver ersätta din Black & Decker-produkt med en ny, eller inte längre behöver den, ska du inte kasta den i hushållssoporna. Denna produkt skall lämnas till särskild insamling.



Efter insamling av använda produkter och förpackningsmaterial kan materialen återvinnas och användas på nytt. Användning av återvunna material skönar miljön och minskar förbrukningen av råvaror.

Enligt lokal lagstiftning kan det förekomma särskilda insamlingar av uttjänt elutrustning från hushåll, antingen vid kommunala miljöstationer eller hos detaljhandlaren när du köper en ny produkt.

Black & Decker erbjuder en samlings- och återvinnings tjänst för Black & Decker-produkter när de en gång har tjänat ut. För att använda den här tjänsten lämnar du in produkten till en auktoriserad B & D -reparatör/representant som tar hand om den för din räkning.

Närmaste auktoriserad Black & Decker-representant finner du genom det lokala Black & Decker-kontoret på adressen i den här manualen. Annars kan du söka på Internet, på listan över auktoriserade Black & Decker-representanter och alla uppgifter om vår kundservice och andra kontakter www.2helpU.com

Tekniska data

		AST15	KG725	KG900
		TYPE 2	TYPE 2	TYPE 2
Spänning	V _{AC}	230	230	230
Ineffekt	W	900	701	900
Obelastad hastighet	min ⁻¹	10.000	10.000	10.000
Skivdiameter	mm	115	125	100
Axelhål	mm	22	22	16
Maximal skivtjocklek				
slipskivor	mm	6	6	6
kapskivor	mm	3,5	3,5	3,5
Spindelgänga		M14	M14	M10
Vikt	kg	2,1	2,1	2,1

		KG915	KG925
		TYPE 2	TYPE 2
Spänning	V _{AC}	230	230
Ineffekt	W	900	900
Obelastad hastighet	min ⁻¹	10.000	10.000
Skivdiameter	mm	115	125
Axelhål	mm	22	22
Maximal skivtjocklek			
slipskivor	mm	6	6
kapskivor	mm	3,5	3,5
Spindelgänga		M14	M14
Vikt	kg	2,1	2,1

Bullernivå, uppmätt enligt EN 60745:

Bullernivå (L_{PA}) 91 dB(A), avvikelse (K) 3 dB(A)
 Ljudeffekt (L_{WA}) 102 dB(A), avvikelse (K) 3 dB(A)

Vibrationens totala värde (treaxelvektorsumma) bestämd enligt EN 60745:

Ytslipning (a_{nAG}) 7 m/s², avvikelse (K) 1,5 m/s²
 Kapning (a_n) 2,5 m/s², avvikelse (K) 1,5 m/s²

EC-förklaring om överensstämmelse

MASKINDIREKTIVET



AST15/KG725/KG900/KG915/KG925

Black & Decker deklarerar att dessa produkter, beskrivna under "tekniska data", är tillverkade i överensstämmelse med: 98/37/EG (till 28 dec. 2009), 2006/42/EG (från 29 dec. 2009), EN 60745-1, EN 60745-2-3

För mer information, vänligen kontakta Black & Decker på följande adress eller den som anges på handbokens baksida.

Undertecknad är ansvarig för sammanställningen av den tekniska filen och gör denna försäkran som representant för Black & Decker.

Kevin Hewitt

Vice-President Global Engineering
Black & Decker Europe, 210 Bath Road, Slough,
Berkshire, SL1 3YD
Storbritannien
30-9-2009

Garantin gäller inte för fel som beror på:

- ◆ normalt slitage
- ◆ felaktig användning eller skötsel
- ◆ att produkten skadats av främmande föremål, ämnen eller genom olyckshändelse

Garantin gäller inte om reparation har utförts av någon annan än en auktoriserad Black & Decker verkstad.

För att utnyttja garantin skall produkten och inköpskvittot lämnas till återförsäljaren eller till en auktoriserad verkstad senast 2 månader efter det att felet har upptäckts.

För information om närmaste auktoriserad verkstad; kontakta det lokala Black & Decker kontoret på den adress som är angiven i bruksanvisningen. En lista på alla auktoriserade verkstäder samt servicevillkor finns även tillgängligt på Internet, adress: www.2helpU.com

Besök vår webbplats www.blackanddecker.se för att registrera din nya Black & Decker-produkt samt för att erhålla information om nya produkter och specialerbjudanden. Vidare information om märket Black & Decker och vårt produktsortiment kan återfinnas på www.blackanddecker.se

Reservdelar / reparationer

Reservdelar finns att köpa hos auktoriserade Black & Decker verkstäder, som även ger kostnadsförslag och reparerar våra produkter.

Förteckning över våra auktoriserade verkstäder finns på Internet, vår hemsida www.blackanddecker.se samt www.2helpU.com

Garanti

Black & Decker garanterar att produkten är fri från material- och/eller fabrikationsfel vid leverans till kund. Garantin är i tillägg till konsumentens lagliga rättigheter och påverkar inte dessa. Garantin gäller inom medlemsstaterna i Europeiska Unionen och i det Europeiska Frihandelsområdet.

Om en Black & Decker produkt går sönder på grund av material- och/eller fabrikationsfel eller brister i överensstämmelse med specifikationen, inom 24 månader från köpet, åtar sig Black & Decker att reparera eller byta ut produkten med minsta besvär för kunden.

Bruksområder

Din Black & Decker vinkelsliper er utformet for kapping av metall og murverk ved bruk av egnet kappe- eller slipeskive. Verktøyet er tiltenkt kun som konsumentverktøy.

Sikkerhetsinstruksjoner

Generelle sikkerhetsadvarsler for elektroverktøy



Advarsel! Les alle sikkerhetsadvarsler og alle instruksjoner. Hvis advarsler og instruksjoner ikke følges, kan det medføre elektrisk støt, brann og/eller alvorlige skader.

Ta vare på alle advarsler og instruksjoner for fremtidige oppslag. Uttrykket "elektroverktøy" i alle advarslene nedenfor gjelder for strømdrevne elektroverktøy (med ledning) og batteridrevne elektroverktøy (uten ledning).

1. Sikkerhet i arbeidsområdet

- Hold arbeidsområdet rent og godt opplyst.** Rotete arbeidsområder med dårlig belysning kan føre til ulykker.
- Ikke arbeid med elektroverktøy i eksplosjonsfarlige omgivelser hvor det finnes brennbare væsker, gass eller støv.** Elektroverktøy forårsaker gnister som kan antenne støv eller røyk.
- Hold barn og andre personer unna når elektroverktøyet brukes.** Hvis du blir forstyrret under arbeidet, kan du miste kontrollen.

2. Elektrisk sikkerhet

- Støpselet til elektroverktøyet må passe inn i stikkkontakten. Støpselet må ikke forandres på noen som helst måte. Ikke bruk adapterstøpsler sammen med jordete elektroverktøy.** Bruk av originale støpsler og passende stikkontakter reduserer risikoen for elektrisk støt.
- Unngå kroppskontakt med jordete overflater som rør, radiatorer, komfyrer og kjøleskap.** Det er større fare for elektrisk støt hvis kroppen din er jordet.
- Utsett ikke elektroverktøy for regn eller fuktighet.** Dersom det kommer vann i et elektroverktøy, øker risikoen for elektrisk støt.
- Unngå uforvarlig behandling av ledningen. Elektroverktøyet må aldri bæres eller trekkes etter ledningen, og trekk heller ikke ut støpselet ved å rykke i ledningen. Hold ledningen unna varme, olje, skarpe kanter eller bevegelige deler.** Med skadde eller sammenflokete ledninger øker risikoen for elektrisk støt.
- Når du arbeider utendørs med et elektroverktøy, må du kun bruke en skjøteledning som er godkjent til utendørs bruk.** Ved å bruke en skjøteledning som er egnet for utendørs bruk, reduseres risikoen for elektrisk støt.

- Hvis du må bruke et elektrisk verktøy på et fuktig sted, må du bruke en forsyning som er beskyttet med en reststrømsanordning (RCD).** Bruk av en RCD reduserer risikoen for støt.

3. Personssikkerhet

- Vær oppmerksom, pass på hva du gjør og vis fornuft når du arbeider med et elektroverktøy. Ikke bruk elektroverktøy når du er trett eller er påvirket av narkotika, alkohol eller medikamenter.** Et øyeblikks uoppmerksomhet under bruk av verktøyet kan føre til alvorlige personskader.
 - Bruk personlig verneutstyr. Bruk alltid vernebriller.** Verneutstyr som støvmaske, sko med gode såler, hjelm og hørselsvern bør brukes for å redusere risikoen for personskade.
 - Unngå utilsiktet oppstart. Påse at bryteren er i av-stilling før du kopler til strøm og/eller batteripakke, plukker opp eller bærer verktøyet.** Hvis du bærer et elektrisk verktøy med fingeren på bryteren, eller hvis du setter strøm på et verktøy som har bryteren slått på, inviterer du til ulykker.
 - Fjern innstillingsverktøy eller skrunøkler før du slår på elektroverktøyet.** Et verktøy eller en nøkkel som befinner seg i en roterende del kan føre til personskade.
 - Ikke strekk deg for langt. Pass på at du alltid har sikkert fotfeste og god balanse.** Da kan du kontrollere elektroverktøyet bedre i uventede situasjoner.
 - Bruk alltid egnede klær. Ikke bruk løstsittende klær eller smykker. Hold hår, klær og hansker unna bevegelige deler.** Løstsittende klær, smykker eller langt hår kan komme inn i bevegelige deler.
 - Hvis det kan monteres støvavsug- og oppsamlingsinnretninger, må du forvisse deg om at disse er tilkoblet og brukes på riktig måte.** Bruk av støvavsug reduserer faren i forbindelse med støv.
- #### 4. Aktsom håndtering og bruk av elektroverktøy
- Ikke bruk makt på elektroverktøyet. Bruk et elektroverktøy som er beregnet på den type arbeid du vil utføre.** Med et passende elektroverktøy arbeider du bedre og sikrere i det angitte effektområdet.
 - Ikke bruk elektroverktøyet hvis det ikke lar seg slå på og av med bryteren.** Et elektroverktøy som ikke kan kontrolleres med bryteren er farlig og må repareres.
 - Trekk støpselet ut av stikkkontakten og/eller kople fra batteripakken før du utfører innstillinger på et elektrisk verktøy, skifter tilbehør eller legger verktøyet bort.** Disse tiltakene reduserer risikoen for en utilsiktet start av elektroverktøyet.

- d. **Elektroverktøy som ikke er i bruk må oppbevares utilgjengelig for barn. Ikke la verktøyet brukes av personer som ikke er fortrolig med det eller som ikke har lest disse bruksanvisningene.** Elektroverktøy er farlige når de brukes av uerfarne personer.
- e. **Vær nøye med vedlikehold av elektroverktøy. Kontroller om bevegelige deler fungerer feilfritt og ikke klemmes fast, om deler er brukket eller skadet og andre forhold som kan innvirke på elektroverktøyet funksjon. Hvis elektroverktøyet er skadet, må det repareres før bruk.** Dårlig vedlikeholdte elektroverktøy er årsaken til mange uhell.
- f. **Hold skjæreverktøy skarpe og rene.** Godt vedlikeholdte skjæreverktøy med skarpe egger setter seg ikke så ofte fast og er lettere å føre.
- g. **Bruk elektroverktøy, tilbehør, bor osv. i henhold til disse instruksjonene. Ta hensyn til arbeidsforholdene og arbeidet som skal utføres.** Bruk av elektroverktøy til andre formål enn det som er angitt, kan føre til farlige situasjoner.

5. Service

- a. **Elektroverktøyet ditt skal alltid repareres av kvalifisert personell og kun med originale reservedeler.** Dette sikrer at elektroverktøyet sikkerhet opprettholdes.

Ekstra sikkerhetsadvarsler for elektroverktøy



Advarsel! Ekstra sikkerhetsadvarsler for sliping, pussing, stålborsting, polering eller kapping.

- ◆ Dette elektroverktøyet er beregnet på å brukes til å slipe, pusse, stålborste, polere eller kutte materialer. Les alle sikkerhetsadvarsler, instruksjoner, illustrasjoner og spesifikasjoner som følger med elektroverktøyet. Hvis anvisningene nedenfor ikke overholdes, kan det medføre elektrisk støt, brann og/eller alvorlige skader.
- ◆ Oppgaver som elektroverktøyet ikke er beregnet på kan utgjøre farer og forårsake personskader.
- ◆ Ikke bruk tilbehør som ikke er spesifikt designet og anbefalt av verktøyprodusenten. At et tilbehør kan festes på elektroverktøyet betyr ikke at det er sikkert å bruke.
- ◆ Tilbehørets nominelle hastighet må være minst lik den maksimale hastigheten som er merket på elektroverktøyet. Tilbehør som går fortere enn deres nominelle hastighet kan ødelegges.
- ◆ Tilbehørets utvendige diameter og tykkelse må ligge innenfor elektroverktøyet spesifiserte kapasitet. Tilbehør med feil størrelse kan ikke vernes og kontrolleres på korrekt måte.
- ◆ Spindelstørrelsen til skiver, flenser, pusserondeller eller annet tilbehør må passe til elektroverktøyet spindel. Tilbehør med spindel hull som ikke passer til elektroverktøyet monteringsdeler vil slingre, vibrere og kan gjøre at du mister kontroll over verktøyet.
- ◆ Ikke bruk tilbehør som er skadet. Før hver gangs bruk bør du kontrollere tilbehøret og kontrollere om kappskiver har sprekker eller avskalling, om pusserondeller har sprekker, revner eller er slitte, om stålborster har løse eller ødelagte tråder osv. Hvis et tilbehør til elektroverktøyet mistes ned, må du forsikre deg om at det er uskadet eller installere et uskadet tilbehør. Etter inspeksjon og installasjon av et tilbehør, må du kjøre elektroverktøyet på maksimal tomgangshastighet i ett minutt. Tilbehør med skader vil normalt brytes opp under denne testkjøringen.
- ◆ Bruk personlig verneutstyr. Avhengig av bruksområdet bør du bruke ansiktsmaske eller vernebriller. Etter behov må du bruke støvmaske, hørselsvern, hansker og et verkstedforkle som kan stanse små fragmenter. Øyebeskyttelsen må kunne stoppe flygende rester og partikler som følger med de ulike arbeidsoppgavene. Støvmasken eller pusteapparatet må kunne filtrere partikler som arbeidet skaper. Langvarig eksponering til sterk støy kan forårsake hørselstap.
- ◆ Hold tilskuere på sikker avstand fra arbeidsområdet. Alle som kommer inn i arbeidsområdet må bruke personlig verneutstyr. Fragmenter av arbeidsstykket eller tilbehøret kan slynges ut og gjøre skade også utenfor det umiddelbare arbeidsområdet.
- ◆ Hold elektriske verktøy i de isolerte gripeflatene når du utfører arbeid der kappetilbehøret kan komme i kontakt med skjulte ledninger eller sin egen kabel. Kontakt med en strømførende ledning vil gjøre elektroverktøyet metalldele strømførende og gi operatøren støt.
- ◆ Hold strømledningen unna det roterende tilbehøret. Hvis du mister kontrollen, kan ledningen bli kuttet eller skadet, og din hånd kan bli trukket inn i det roterende tilbehøret.
- ◆ Legg aldri fra deg et elektroverktøy før tilbehøret har stanset helt opp. Det roterende tilbehøret kan gripe tak i flaten og spinne ut av kontroll.
- ◆ Ikke bær et elektroverktøy langs siden mens det er i gang. Utilsiktet kontakt med det roterende tilbehøret kan gjøre at det tar tak i klærne dine og trekkes inn mot kroppen.
- ◆ Elektroverktøyet ventilasjonsåpninger på rengjøres med jevne mellomrom. Motorens vifte vil trekke støv inn i huset, og overdreven akkumulering av metallstøv kan utgjøre en elektrisk fare.
- ◆ Ikke bruk et elektroverktøy i nærheten av antennelegge materialer. Gnistene kan antenne disse materialene.

◆ **Ikke bruk tilbehør som krever flytende kjølemidler.**

Bruk av vann eller andre kjølvæsker kan føre til elektriske støt.

Merk: Ovenstående advarsel gjelder ikke elektroverktøy som er spesialberegnet på å brukes med et væskesystem.

Tilbakeslag og relaterte advarsler

Et tilbakeslag er en brå reaksjon fra en fastklemt eller fastkilt slipeskive, pusserondell, børste eller annet tilbehør. Klemming og fastkiling gjør at det roterende tilbehøret raskt stanser opp, som igjen får et ukontrollert elektroverktøy til å spinne i motsatt retning av tilbehørets rotasjonsretning på punktet der det sitter fast.

Hvis f.eks. en slipeskive sitter fast i arbeidsstykket, kan kanten på skiven i klemmepunktet grave seg inn i materialet og få skiven til å kripe ut eller slå tilbake. Skiven kan enten hoppe mot eller vekk fra operatøren, avhengig av skivens rotasjonsretning på klemmepunktet. Slipeskiver kan brette i slike situasjoner.

Tilbakeslag er et resultat av feil bruk av verktøyet og/eller feil brukerprosedyrer eller forhold, og kan unngås ved å ta riktige forholdsregler som forklart nedenfor.

- ◆ **Hold elektroverktøyet godt fast og plasser kroppen og armene slik at du motstår tilbakeslagskreftene. Bruk alltid hjelpehåndtaket (hvis det finnes) til å gi maksimal kontroll over tilbakeslag eller vridningsreaksjoner under oppstart.** Operatøren kan kontrollere dreiemoment og tilbakeslag hvis han tar passende forholdsregler.
- ◆ **Plasser aldri hendene i nærheten av det roterende tilbehøret.** Tilbehøret kan slå tilbake over en hånd.
- ◆ **Ikke plasser kroppen i sonen der elektroverktøyet vil bevege seg hvis det slår tilbake.** Et tilbakeslag vil sende verktøyet i motsatt retning av skivens bevegelse på klemmepunktet.
- ◆ **Vær spesielt forsiktig med hjørner, skarpe kanter osv. Unngå at tilbehøret spretter eller hekter seg opp.** Hjørner, skarpe kanter eller spretting har en tendens til å hekte opp roterende tilbehør, og kan forårsake tap av kontroll eller tilbakeslag.
- ◆ **Ikke sett på et treutskjæringsblad med sagkjede eller et sagblad med tenner.** Slike blader gir ofte tilbakeslag og tap av kontroll.

Ekstra sikkerhetsinstruksjoner for sliping og kapping

Sikkerhetsinstruksjoner som er spesifikke for sliping og kapping

- ◆ **Bruk kun skivetyper som anbefales for elektroverktøyet, og spesialvernet som er konstruert for den valgte skiven.** Skiver som elektroverktøyet ikke er konstruert for, kan ikke vernes godt, og de er derfor utrygge.

- ◆ **Vernet må sitte godt festet på verktøyet og må plasseres slik at det gir maksimal sikkerhet, dvs. at minst mulig av skiven eksponeres mot operatøren.** Vernet hjelper til å beskytte operatøren mot splinter fra skiven og utilsiktet kontakt med skiven.
- ◆ **Skivene må kun brukes til spesifiserte bruksområder. For eksempel: ikke slip med siden av en kappskive. Slipende kappskiver er beregnet på perifer sliping.** Krefter som er beregnet på disse skivene kan få dem til å splintre.
- ◆ **Bruk alltid skadefrie skiveflenser av korrekt størrelse og form, tilpasset valgt skive.** Korrekte skiveflenser støtter skiven og reduserer muligheten for at skiven skal gå i stykker. Flensene for kappskiver kan være forskjellige fra flensene for slipeskiver.
- ◆ **Ikke bruk nedslitte skiver fra større elektroverktøy.** Skiver som er beregnet på større elektroverktøy, egner seg ikke til mindre verktøys store hastighet, og de kan splintres.

Ekstra sikkerhetsadvarsler spesielt for kapping

- ◆ **Ikke bruk for stor kraft på kappskiven. Ikke forsøk å gjøre et for dypt kutt.** For stor belastning på skiven øker muligheten for at hjulet skal vri seg eller kjøres fast i kuttet, noe som kan gi tilbakeslag eller få skiven til å brette.
- ◆ **Ikke plasser kroppen på linje med og bak den roterende skiven.** Når skiven beveger seg fra deg, kan et tilbakeslag sende den roterende skiven og verktøyet tilbake mot deg.
- ◆ **Når skiven kjøres fast eller når du stanser kuttet av en eller annen grunn, må du slå av verktøyet og holde det i to til skiven stanser helt opp. Forsøk aldri å trekke kappskiven ut av kuttet men skiven er i bevegelse, da dette kan føre til tilbakeslag.** Finn ut hvorfor skiven klemmes og gjør det som skal til for å eliminere årsaken.
- ◆ **Ikke start verktøyet med skiven i kuttet. La skiven nå full hastighet før den føres inn i det samme kuttet.** Skiven kan kiles fast eller slå tilbake hvis du starter verktøyet med skiven i kuttet.
- ◆ **Store arbeidsstykker må understøttes for å minimere risikoen for at skiven skal klemmes.** Store arbeidsstykker har en tendens til å sige under sin egen vekt. Støtter bør plasseres under arbeidsstykket på begge sider, nær kapplinjen og nær kanten på arbeidsstykket.
- ◆ **Vær ekstra forsiktig når du gjør et "innstikkskutt" i vegger eller andre blinde områder.** Skiven kan kappe gjennom gass- eller vannrør, elektriske ledninger eller objekter som kan føre til tilbakeslag.

Sikkerhetsadvarsler for sliping

- ◆ **Ikke bruk for store sandpapislipeskiver. Følg produsentens anbefalinger når du velger sandpapir.** Større sandpapir som stikker ut over puten er farlige fordi de kan få skiven til å hekte seg opp, revne eller slå tilbake.

Sikkerhetsadvarsler for polering

- ◆ Ikke la en løs del av poleringshettan eller tilbehøret rotere fritt. Gjem eller kutt løse tråder på tilbehøret. Løse og roterende tråder på tilbehøret kan hekte seg opp i fingrene eller arbeidsstykket.

Sikkerhetsadvarsler for stålborsting

- ◆ Vær oppmerksom på at stålborstetråder kan slynges av børsten selv under vanlige forhold. Ikke legg for mye kraft på børsten. Ståltrådene kan med letthet trenge gjennom tynne klær og/eller huden.
- ◆ Hvis du bruker et vern til stålborsting, må det ikke stålborsten eller skiven komme i kontakt med vernet. Trådskiven eller børsten kan utvide seg på grunn av belastning og sentrifugalkraften.

Andre personers sikkerhet

- ◆ Apparatet er ikke beregnet til å brukes av personer (inkludert barn) med redusert fysisk, sansemessig eller mental kapasitet eller mangel på erfaring og kunnskap, med mindre de er under oppsyn eller har fått opplæring i bruk av apparatet av en person som har ansvaret for deres sikkerhet.
- ◆ Barn må ha tilsyn for å sikre at de ikke leker med apparatet.

Vibrasjon

De erklærte vibrasjonsnivåene i avsnittet Tekniske Data / Samsvarserklæring er målt i samsvar med en standard testmetode som gis av EN 60745, og kan brukes til å sammenligne et verktøy med et annet. Erklært vibrasjonsnivå kan også brukes i en foreløpig vurdering av eksponering.

Advarsel! Vibrasjonsnivået ved faktisk bruk av elektroverktøyet kan variere fra erklært verdi, avhengig av måten verktøyet brukes på. Vibrasjonsnivået kan øke over det oppgitte nivået.

Når du vurderer eksponering til vibrasjon for å bestemme sikkerhetstiltak som anbefalt i 2002/44/EF for å beskytte personer som jevnlig bruker elektroverktøy, bør en estimering av eksponeringen ta hensyn til de faktiske bruksforholdene og måten verktøyet brukes på. Dette inkluderer alle deler av brukssyklusen som f.eks. tidsperioder da verktøyet er slått av og når det går uten belastning, i tillegg til faktisk arbeidstid.

Etiketter på verktøyet

Følgende symboler befinner seg på verktøyet:



Advarsel! Bruker må lese bruksanvisningen for å redusere faren for skader.



Ha på deg vernebriller når du bruker dette verktøyet.



Ha på deg hørselsvern når du bruker dette verktøyet.

Elektrisk sikkerhet



Dette apparatet er dobbeltisolert. Derfor er ikke jording nødvendig. Kontroller alltid at nettspenningen er i overensstemmelse med spenningen på typeskiltet.

- ◆ Hvis strømledningen skades, må den skiftes ut av fabrikanten eller et autorisert Black & Decker servicesenter for å unngå fare.

Egenskaper

Dette verktøyet har noen av eller alle disse funksjonene.

1. Strømbryter
2. Sidehåndtak
3. Spindellås
4. Vern

Montering

Advarsel! Før monteringen, må du passe på at verktøyet er slått av og at kontakten er trukket ut.

Montere og fjerne vernet (fig. A & B)

Verktøyet kommer med et vern som kun er ment for bruk under sliping. Hvis enheten skal utføre avkuttingsoperasjoner, må et spesifikt vern for denne operasjonen monteres. Et egnet vern for avkuttingsoperasjoner med delenummer 1004484-00 & 1004484-01 er tilgjengelige og kan fås fra Black & Deckers servicesentre.

Montering

- ◆ Legg verktøyet på et bord, med spindelen (5) opp.
- ◆ Sett fjærskiven (6) over spindelen og plasser den på skulderen (7).
- ◆ Plasser vernet (4) på verktøyet som vist.
- ◆ Plasser flensen (8) over spindelen med de utstikkende rørene mot vernet. Kontroller at hullene i flensen er på linje med skru hullene.
- ◆ Fest flensen med skruene (9). Kontroller at skruene er strammet til, og at vernet kan roteres.

Fjerning

- ◆ Bruk en skrutrekker til å fjerne skruene (9).
- ◆ Fjern flensen (8), vernet (4) og fjærskiven (7). Oppbevar disse delene med omhu.

Advarsel! Du må aldri bruke verktøyet uten vernet.

Sette på sidehåndtaket

- ◆ Skru sidehåndtaket (2) inn i ett av festehullene på verktøyet.
- Advarsel!** Bruk alltid sidehåndtaket.

Sette på og ta av slipe- eller kappeskivene (fig. C - E)

Bruk alltid riktig type skive til formålet. Bruk alltid skiver med riktig diameter og hullstørrelse (se den tekniske informasjonen).

Montering

- ◆ Monter vernet som beskrevet ovenfor.
- ◆ Sett den indre flensen (10) inn på spindelen (5), som vist (fig. C). Pass på at flensen sitter riktig på de flate sidene av spindelen.
- ◆ Sett skiven (11) inn på spindelen (5), som vist (fig. C). Hvis skiven har et hevet felt i midten (12), må du passe på at dette feltet er vendt mot den indre flensen.
- ◆ Pass på at skiven sitter riktig på den indre flensen.
- ◆ Sett den ytre flensen (13) inn på spindelen. Når du setter på en slipeskive, må det hevede feltet på den ytre flensen stå mot skiven (A i fig. D). Når du setter på en kappeskive, må det hevede feltet på den ytre flensen være vendt bort fra skiven (B i fig. D).
- ◆ Trykk og hold spindellåsen (3) og stram den ytre flensen ved hjelp av skiftenøkkelen (14) (fig. E).

Fjerning

- ◆ Trykk og hold spindellåsen (3) og løsne den ytre flensen (13) ved hjelp av skiftenøkkelen (14) (fig. E).
- ◆ Ta av den ytre flensen (13) og skiven (11).

Sette på og ta av sandpapisriver (fig. E & F)

Du trenger en pusserondell når du skal pusse. Denne bestiller du fra din Black & Decker-forhandler som tilbehør.

Montering

- ◆ Sett den indre flensen (10) inn på spindelen (5), som vist (fig. F). Pass på at flensen sitter riktig på de flate sidene av spindelen.
- ◆ Sett pusserondellen (15) inn på spindelen.
- ◆ Sett sandpapisriveren (16) inn på pusserondellen.
- ◆ Sett den ytre flensen (13) inn på spindelen med det hevede feltet bort fra skiven.
- ◆ Trykk og hold spindellåsen (3) og stram den ytre flensen ved hjelp av skiftenøkkelen (14) (fig. E). Kontroller at den ytre flensen er riktig montert og at skiven er godt festet.

Fjerning

- ◆ Trykk og hold spindellåsen (3) og løsne den ytre flensen (13) ved hjelp av skiftenøkkelen (14) (fig. E).
- ◆ Ta av den ytre flensen (13), sandpapisriveren (16) og pusserondellen (15).

Bruk

Advarsel! La verktøyet jobbe med sin egen hastighet. Ikke overbelast det.

- ◆ Før ledningen forsiktig, slik at du unngår å kappe den over ved et uhell.
- ◆ Husk at det vil sprute gnister når slipe- eller kappeskiven settes ned på arbeidsemnet.
- ◆ Hold alltid verktøyet slik at beskyttelsen verner deg optimalt mot slipe- eller kappeskiven.

Start og stopp

- ◆ For å slå på apparatet skyver du strømbryteren (1) fremover. Vær oppmerksom på at verktøyet vil fortsette å gå når du slipper bryteren.
- ◆ For å slå av verktøyet trykker du på bakre del av på/av-bryteren.

Advarsel! Ikke slå av verktøyet mens det er strømførende.

Råd for optimalt resultat

- ◆ Hold verktøyet godt fast, med den ene hånden rundt sidehåndtaket og den andre hånden rundt hovedhåndtaket.
- ◆ La det alltid være en vinkel på ca. 15° mellom skiven og overflaten på arbeidsemnet når du sliper.

Vedlikehold

Ditt Black & Decker-apparat/verktøy med eller uten ledning er konstruert for å være i drift over en lang periode med et minimum av vedlikehold. Det er avhengig av godt vedlikehold og regelmessig rengjøring for å fungere som det skal til enhver tid.

Advarsel! Før du utfører vedlikehold på elektroverktøy med ledning eller batteri:

- ◆ Slå av og trekk ut støpselet av kontakten.
- ◆ Eller slå av og ta batteriet ut av apparatet/verktøyet hvis det har en separat batteripakke.
- ◆ Eller kjør batteriet helt tomt hvis det er innebygd, før deretter å slå av.
- ◆ Trekk ut kontakten før du rengjør laderen. Laderen din behøver ikke annet vedlikehold enn at den rengjøres med jevne mellomrom.
- ◆ Rengjør ventilasjonsåpningene på apparatet/verktøyet/laderen regelmessig med en myk børste eller en tørr klut.
- ◆ Rengjør motorhuset regelmessig med en fuktig klut. Ikke bruk slipende eller løsemiddelbaserte rengjøringsmidler.
- ◆ Åpne opp chucken regelmessig, og slå lett på den for å fjerne eventuelt støv fra innsiden (når den er innebygd).

Miljøvern



Kildesortering. Dette produktet må ikke kastes i det vanlige husholdningsavfallet.

Hvis du finner ut at Black & Decker-produktet ditt må skiftes ut, eller hvis du ikke lenger har bruk for det, må du unnlate å kaste det sammen med det vanlige husholdningsavfallet. Sørg for at dette produktet gjøres tilgjengelig for kildesortering.



Kildesortering av brukte produkter og emballasje gjør det mulig å resirkulere materialer og bruke dem igjen. Gjenbruk av resirkulerte materialer bidrar til å forhindre forurensning av miljøet og reduserer behovet for råmaterialer.

Lokale regelverk kan legge tilrette for kildesortering av elektriske produkter fra husholdningen, ved kommunale deponier eller gjennom forhandleren når du kjøper et nytt produkt.

Black & Decker har tilrettelagt for innsamling og resirkulering av Black & Decker-produkter etter at de har utspilt sin rolle. Ønsker du å benytte deg av denne tjenesten, returnerer du produktet ditt til et autorisert serviceverksted, som tar det imot og formidler det videre.

Du kan få adressen til ditt nærmeste autoriserte serviceverksted ved å kontakte ditt lokale Black & Decker-kontor på adressen oppgitt i denne håndboken. Du kan også finne en komplett liste over autoriserte Black & Decker-serviceverksteder og utfyllende informasjon om vår etter salg-service og kontaktnumre på Internett på følgende adresse: www.2helpU.com

Tekniske data

		AST15 TYPE 2	KG725 TYPE 2	KG900 TYPE 2
Spenning	V _{AC}	230	230	230
Inn-effekt	W	900	701	900
Hastighet ubelastet	min ⁻¹	10.000	10.000	10.000
Skivediameter	mm	115	125	100
Hullstørrelse	mm	22	22	16
Maks. skivetykkelse				
slipeskiver	mm	6	6	6
kappeskiver	mm	3,5	3,5	3,5
Spindelstørrelse	M14	M14	M14	M10
Vekt	kg	2,1	2,1	2,1

		KG915 TYPE 2	KG925 TYPE 2
Spenning	V _{AC}	230	230
Inn-effekt	W	900	900
Hastighet ubelastet	min ⁻¹	10.000	10.000
Skivediameter	mm	115	125
Hullstørrelse	mm	22	22
Maks. skivetykkelse			
slipeskiver	mm	6	6
kappeskiver	mm	3,5	3,5
Spindelstørrelse	M14	M14	M14
Vekt	kg	2,1	2,1

Lydtryknivå, målt i samsvar med EN 60745:

Lydtrykk (L_{pa}) 91 dB(A), usikkerhet (K) 3 dB(A)

Lyd effekt (L_{wa}) 102 dB(A), usikkerhet (K) 3 dB(A)

Totalverdier, vibrasjon (triax vektorsum) i samsvar med EN 60745:

Overflatesliping (a_{n,AC}) 7 m/s², usikkerhet (K) 1,5 m/s²

Kapping (a_a) 2,5 m/s², usikkerhet (K) 1,5 m/s²

Samsvarserklæring for EU MASKINDIREKTIVET



AST15/KG725/KG900/KG915/KG925

Black & Decker erklærer at produktene som beskrives under "tekniske data" oppfyller kravene til:
98/37/EF (til 28. desember 2009), 2006/42/EF
(fra 29. desember 2009), EN 60745-1, EN 60745-2-3

For mer informasjon, kontakt Black & Decker på følgende adresse eller se bakerst i håndboken.

Undertegnede er ansvarlig for sammenstillingen av den tekniske filen og avgir denne erklæringen på vegne av Black & Decker.

Kevin Hewitt
Visepresident, Global Engineering
Black & Decker Europe, 210 Bath Road, Slough,
Berkshire, SL1 3YD
Storbritannia
30-9-2009

Reservdeler / reparasjoner

Reservdeler kan kjøpes hos autoriserte Black & Decker serviceverksteder, som også gir kostnadsoverslag og reparerer våre produkter.

Oversikt over våre autoriserte serviceverksteder finnes på Internet, vår hjemmeside www.blackanddecker.no samt www.2helpU.com

Garanti

Black & Decker garanterer at produktet ikke har material- og/ eller fabrikasjonsfeil ved levering til kunde. Garantien er i tillegg til kundens lovlige rettigheter og påvirker ikke disse. Garantien gjelder innen medlemsstatene i den Europeiske Unionen og i det Europeiske Frihandelsområdet.

Hvis et Black & Decker produkt går i stykker på grunn av material- og/eller fabrikasjonsfeil eller har mangler i forhold til spesifikasjonene, innen 24 måneder fra kjøpet, påtar Black & Decker seg å reparere eller bytte ut produktet med minst mulig vanskelighet for kunden.

Garantien gjelder ikke for feil som kommer av:

- ◆ normal slittasje
- ◆ feilaktig bruk eller vedlikehold (mislighold)
- ◆ at produktet har blitt skadet av fremmede gjenstander, emner eller ved et uhell

Det gjøres oppmerksom på at produktet ikke er beregnet på industriell/profesjonell/yrkesmessig bruk, men til hus- og hjemmebruk.

Garantien gjelder ikke om reparasjoner har blitt utført av noen andre enn et autorisert Black & Decker serviceverksted.

For å ta garantien i bruk skal produktet og kjøpekvitteing leveres til forhandleren eller til et autorisert serviceverksted senest 2 måneder etter at feilen har blitt oppdaget.

For informasjon om nærmeste autoriserte serviceverksted; kontakt det lokale Black & Decker kontoret på den adressen som er angitt i bruksanvisningen. En oversikt over alle autoriserte serviceverksteder samt servicevilkår finnes også tilgjengelig på Internet, adresse: www.2helpU.com

Vennligst stikk innom våre nettsider på www.blackanddecker.no for å registrere ditt nye Black & Decker-produkt og for å holde deg oppdatert om nye produkter og spesialtilbud. Du finner mer informasjon om Black & Decker og produktutvalget vårt på www.blackanddecker.no

Anvendelsesområde

Din Black & Decker vinkelsliber er lavet til at skære metal og murværk ved anvendelse af de dertil egnede skære- og sliberondeller. Værktøjet er kun beregnet til privat brug.

Sikkerhedsinstruktioner

Generelle sikkerhedsadvarsler for værktøjet



Advarsel! Læs alle sikkerhedsadvarsler og instrukser. Hvis nedenstående advarsler og instrukser ikke følges, er der risiko for elektrisk stød, brand og/eller alvorlige personskader.

Gem alle advarsler og instruktioner til fremtidig brug.

Det benyttede begreb "el-værktøj" i nedennævnte advarsler refererer til el-netdrevne (med tilslutningsledning) eller batteridrevne maskiner (uden tilslutningsledning).

1. Sikkerhed i arbejdsområdet

- Sørg for, at arbejdsområdet er rent og ryddeligt.**
Rodede eller uoplyste arbejdsområder øger faren for uheld.
- Brug ikke el-værktøj i eksplosionstruede omgivelser, f.eks. hvor der er brændbare væsker, gasser eller støv.**
El-værktøj kan slå gnister, der kan antænde støv eller dampe.
- Sørg for, at børn og andre personer holder sig på afstand, når el-værktøjet er i brug.** Hvis man distraheres, kan man miste kontrollen over maskinen.

2. El-sikkerhed

- El-værktøjsstik skal passe til kontakten. Stikkene må under ingen omstændigheder ændres. Brug ikke adapterstik sammen med jordforbundet el-værktøj.**
Uændrede stik, der passer til kontakterne, nedsætter risikoen for elektrisk stød.
- Undgå kropskontakt med jordforbundne overflader som f.eks. rør, radiatorer, komfurer og køleskabe.** Hvis din krop er jordforbundet, øges risikoen for elektrisk stød.
- El-værktøj må ikke udsættes for regn eller fugt.**
Indtrængen af vand i el-værktøj øger risikoen for elektrisk stød.
- Undgå at ødelægge ledningen. Undgå at bære, trække eller afbryde el-værktøjet ved at rykke i ledningen.**
Beskyt ledningen mod varme, olie, skarpe kanter eller maskindele, der er i bevægelse. Beskadede eller indviklede ledninger øger risikoen for elektrisk stød.
- Hvis el-værktøj benyttes i det fri, skal der benyttes en forlængerledning, som er godkendt til udendørs brug.**
Brug af en forlængerledning til udendørs brug nedsætter risikoen for elektrisk stød.
- Ved anvendelse af et elektrisk værktøj i områder med damp, anvend da en beskyttende afskærmning.**
Denne afskærmning reducerer risikoen for elektrisk stød.

3. Personlig sikkerhed

- Vær opmærksom, hold øje med, hvad du laver, og brug el-værktøjet fornuftigt. Man bør ikke bruge maskinen, hvis man er træt, har nydt alkohol eller er påvirket af medicin eller euforiserende stoffer.** Få sekunders uopmærksomhed ved brug af el-værktøjet kan føre til alvorlige personskader.
 - Anvend sikkerhedsudstyr. Bær altid beskyttelsesbriller.**
Beskyttende udstyr, som en støvmaske, skridsikre sikkerhedssko, beskyttelseshjelm eller ørepropper anvendt i de rigtige betingelser reducere ulykker.
 - Forebyg umotiveret opstart. Vær sikker på, at kontakten er slukket før du forbinder kraftkilden og/eller batteriet, løfter eller bærer værktøjet.** Hvis du bærer på værktøjet med din finger på kontakten eller starter værktøjet med kontakten slået til indbyder til ulykker.
 - Fjern indstillingsværktøj eller skruenøgle, inden el-værktøjet tændes.** Et værktøj eller en nøgle, der efterlades i en roterende del i el-værktøjet, kan resultere i personskader.
 - Overvurder ikke dig selv. Sørg for, at du altid har sikkert fodfæste og balance.** Det gør det nemmere at kontrollere el-værktøjet, hvis der skulle opstå uventede situationer.
 - Brug egnet arbejdstøj. Undgå løse beklædningsgenstande eller smykker. Hold hår, tøj og handsker væk fra dele, der bevæger sig.** Bevægelige dele kan gribe fat i løstsiddende tøj, smykker eller langt hår.
 - Hvis støvudsugnings- og opsamlingsudstyr kan monteres, er det vigtigt, at dette tilsluttes og benyttes korrekt.** Brug af støvopsamling nedsætter risikoen for personskader som følge af støv.
- #### 4. Brug og vedligeholdelse af el-værktøj
- Undgå at overbelaste el-værktøjet. Brug altid det rette el-værktøj til opgaven.** Med det rigtige el-værktøj udføres arbejdet lettere og sikrere inden for det angivne effektområde.
 - Brug ikke el-værktøjet, hvis afbryderen er defekt.**
El-værktøj, der ikke kan reguleres med afbryderen, er farligt og skal repareres.
 - Træk stikket ud af stikkontakten og/eller afmonter batteriet inden indstilling, tilbehørsudskiftning eller opbevaring af el-værktøjet.** Disse sikkerhedsforanstaltninger reducerer risikoen for utilsigtet start af værktøjet.
 - Opbevar ubenyttet el-værktøj uden for børns rækkevidde. Lad aldrig personer, der ikke er fortrolige med el-værktøj, eller som ikke har gennemlæst disse instrukser, benytte maskinen.** El-værktøj er farligt, hvis det benyttes af ukyndige personer.
 - El-værktøj bør vedligeholdes omhyggeligt. Kontroller, om bevægelige dele er skæve og ikke sidder fast, og om delene er brækket eller beskadiget, således at el-værktøjets funktion påvirkes.**

Få beskadigede dele repareret, inden el-værktøjet tages i brug. Mange uheld skyldes dårligt vedligeholdt el-værktøj.

- f. **Sørg for, at skæreværktøjer er skarpe og rene.**
Omhyggeligt vedligeholdt skæreværktøjer med skarpe skærekanten sætter sig ikke så hurtigt fast og er nemmere at føre.
- g. **Brug el-værktøj, tilbehør, indsatsværktøj osv. i overensstemmelse med disse instrukser, og sådan som det kræves for denne specielle værktøjstype.** Tag hensyn til arbejdsforholdene og det arbejde, der skal udføres. I tilfælde af anvendelse af el-værktøjet til formål, som ligger uden for det fastsatte anvendelsesområde, kan der opstå farlige situationer.
5. **Service**
- a. **Sørg for, at el-værktøjet kun repareres af kvalificerede fagfolk, og at der kun benyttes originale reservedele.**
Dermed bevares el-værktøjets sikkerhed.

Yderligere sikkerhedsadvarsler for værktøjet



Advarsel! Yderligere sikkerhedsadvarsler for slibe-, pudse-, rundbørste-, polere- eller skærearbejder

- ◆ Dette værktøj er beregnet til at virke som en slibe-, pudse-, rundbørste-, polere- eller skæremaskine. Læs alle sikkerhedsadvarsler, instruktioner, illustrationer og specifikationer som følger med dette værktøj. Manglende overholdelse af alle instruktioner herunder specificeret kan forårsage elektrisk stød, antændelse og/eller alvorlige personskader.
- ◆ Arbejder, for hvilke værktøjet ikke er konstrueret, kan forårsage fare og personskader.
- ◆ Brug ikke tilbehør, som ikke specifikt er lavet af og anbefalet af maskinfabrikanten. Bare fordi tilbehøret kan tilkobles værktøjet, er det ikke tilstrækkeligt for at garantere sikker operation.
- ◆ Tilbehørets specificerede hastighed skal være mindst så stor som den maksimale hastighed angivet på værktøjet. Tilbehør, som arbejder med en højere hastighed end den på dem angivne, kan gå itu og splintre.
- ◆ Yderdiameter og tykkelse på tilbehøret skal befinde sig indenfor værktøjets kapacitetsgrænser. Tilbehør af forkert størrelse kan ikke sikres eller kontrolleres tilstrækkeligt.
- ◆ Størrelsen af akselhullet på rondeller, kraver, støtterondeller eller andet tilbehør skal passe til akslen på værktøjet. Tilbehør med akselhuller, som ikke passer til værktøjet kan komme ud af balance, vibrere uforholdsmæssigt, og kan komme ud af kontrol.
- ◆ Brug ikke beskadiget tilbehør. Før anvendelse af værktøjet skal skærerondeller kontrolleres for skår og revner, støtterondeller for revner, slid og slitage, rundbørster for løse eller brækkede børster. Hvis værktøjet eller tilbehør tabs, skal det kontrolleres for skader eller monter ubeskadiget tilbehør. Efter kontrol og montering af tilbehør skal værktøjet køre med højeste hastighed uden belastning i mindst et minut. Beskadiget tilbehør vil normalt bryde sammen i dette testtidrum.
- ◆ Anvend personligt beskyttelsesudstyr. Afhængigt af arbejdet bør der anvendes ansigtsbeskyttelsesskærm, beskyttelsesbriller eller sikkerhedsbriller. Om nødvendigt anvend støvmaske, hørevern, handsker og arbejdsforklæde, som kan stoppe små slibepartikler eller splinter af arbejdsmaterialer. Udstyr til øjenbeskyttelse må kunne standse flyvende affald, som stammer fra forskellige operationer. Støvmaske eller respirator skal kunne filtrere partikler som stammer fra værktøjets operation. Længere udsættelse for højintensiv støj kan føre til høretab.
- ◆ Sørg for at andre tilstedeværende befinder sig i sikker afstand fra arbejdsområdet. Enhver, som kommer indenfor arbejdsområdet, skal være iført personligt beskyttelsesudstyr. Stykker af arbejdsdelen eller af beskadiget tilbehør kan flyve væk og forårsage skade udenfor det umiddelbare arbejdsområde.
- ◆ Hold altid kun fast på værktøjet på de isolerede håndtagsflader, når der skal saves i emner, hvor der er risiko for, at skæretilbehøret kan komme i kontakt med strømførende ledninger eller apparatets eget kabel. I tilfælde af at skæretilbehør kommer i kontakt med strømførende ledninger, vil metaldelene på værktøjet være under spænding og give elektrisk stød.
- ◆ Hold ledningen væk fra det roterende udstyr. Hvis du mister kontrol, kan ledningen blive skåret over eller grebet fast og din hånd eller arm kan blive trukket ind i det roterende tilbehør.
- ◆ Man må ikke stille værktøjet fra sig, før tilbehøret er fuldstændigt stoppet. Det roterende tilbehør kan gribe fat i overfladen og trække værktøjet ud af din kontrol.
- ◆ Værktøjet bør ikke være i drift, medens du bærer det ved din side. Uønsket kontakt fra det roterende tilbehør til din beklædning kan trække tilbehøret i kontakt med din krop.
- ◆ Rens jævnlige værktøjets ventilationsriller. Motorens blæser vil suge støv ind i motorhuset og uønsigtsmæssig akkumulering af metalstøv kan forårsage elektrisk fare.
- ◆ Værktøjet må ikke anvendes nær brændbare materialer. Gnister kan antænde disse materialer.
- ◆ Brug ikke tilbehør, som anvender flydende kølemidler. Brug af vand eller andre former for flydende kølemidler kan forårsage alvorlige elektriske skader eller død.

Bemærk: Ovenstående advarsler gælder ikke for værktøjer specifikt lavet til brug med et væskesystem.

Tilbageslag og lignende advarsler.

Tilbageslag er en pludselig reaktion på en klemt eller fastgreben rondel, støtterondel, rundbørste eller andet tilbehør. Klemning eller fastgribning forårsager en hurtig standsning af det roterende tilbehør, som igen forårsager at det ukontrollerede værktøj presses i modsat retning af tilbehørets rotationsretning på det sted, hvor værktøjet er fastklemt eller grebet.

For eksempel, hvis en skære- eller sliberondel klemmes fast i arbejdsstykket, kan kanten på rondellen i angrebepunktet tage fast i overfladen på materialet og således forårsage at rondellen kravler ud eller slår ud. Rondellen kan enten slå ud i retning imod eller væk fra operatøren, afhængig af rondellens omdrejningsretning når den fastklemmes. Skære- eller sliberondeller kan også gå i stykker under disse forhold.

Et tilbageslag opstår som følge af forkert brug eller misbrug af værktøjet og kan undgås ved at tage nedenstående forholdsregler:

- ◆ **Hold godt fast på værktøjet og hold kroppen og armene så du kan modstå styrken fra et tilbageslag. Brug altid ekstrahåndtag, hvis det forefindes, for maksimal kontrol af tilbageslag eller drejningsmomentaktion under start.** Ved tilbageslag eller drejningsmomentaktion kan brugeren opfange kraften hvis de nødvendige forholdsregler tages.
- ◆ **Placer aldrig hænderne nær ved det roterende tilbehør.** Tilbehøret kan give tilbageslag over din hånd.
- ◆ **Placer dig aldrig i det område hvorhen værktøjet vil bevæge sig ved tilbageslag.** Tilbageslag vil presse værktøjet i modsat retning af rondellens bevægelsesretning i fastklemningspunktet.
- ◆ **Pas især på under arbejde på hjørner, skarpe kanter etc. Undgå at ryste med eller fastklemme tilbehøret.** Hjørner, skarpe kanter eller rystelser har en tendens til at fastklemme det roterende tilbehør og forårsage tab af kontrol eller tilbageslag.
- ◆ **Monter ikke et savblad fra en kædesav eller et savblad med tænder.** Denne type savblade forårsager ofte tilbageslag eller tab af kontrol.

Supplerende sikkerhedsinstruktioner for slibe- og afskæringsarbejde

Sikkerhedsadvarsler som er specifikke for slibe- og afskæringsarbejde

- ◆ **Brug kun rondeltyper, som er anbefalede til dit værktøj samt den specifikke afskærmning, som er beregnet til det valgte hjul.** Rondeller, som ikke er beregnet til el-værktøjet, kan ikke afskærmes ordentligt og er farlige.

- ◆ **Afskærmningen skal sættes godt fast på el-værktøjet og placeres for maksimal sikkerhed, så den mindst mulige del af rondellen er blotlagt for brugeren.**
Afskærmningen kan hjælpe med at beskytte brugeren mod afbrækkede rondeldele og utilsigtet kontakt med rondellen.
- ◆ **Rondeller må kun anvendes til de anbefalede anvendelser. For eksempel: slib ikke med siden af kaprondellen.** Slibende kaprondeller er beregnet til overfladeslibning, tryk på siden af disse rondeller kan få dem til at ryste.
- ◆ **Brug altid ubeskadigede rondelflanger med korrekt størrelse og form til din valgte rondel.** Korrekte rondelflanger understøtter rondellen, og reducerer dermed muligheden for at den brækker. Flanger til kaprondeller kan være forskellige fra flanger på sliberondeller.
- ◆ **Brug ikke nedslidte rondeller fra større el-værktøjer.** Rondeller, som er tiltænkt større værktøjer, passer ikke til et mindre værktøjs højere hastighed og kan gå i stykker.

Yderligere sikkerhedsadvarsler specielt for slibe/skæreoperationer

- ◆ **Lad ikke rondellen gribe fat eller anvend for stærkt pres. Forsøg ikke at foretage et for dybt snit.** For stærkt pres på rondellen øger chancen for belastning og muligheden for bøjning eller fastklemning af rondellen og muligheden for tilbageslag eller rondelbrud.
- ◆ **Placer dig aldrig på linje med og bag ved den roterende rondel.** Når rondellen under operation bevæger sig væk fra dit legeme, kan det eventuelle tilbageslag presse den roterende rondel og værktøjet direkte imod dig.
- ◆ **Hvis rondellen binder eller skæringen skal afbrydes af en anden grund, så slip afbryderkontakten og lad rondellen blive siddende i emnet, indtil den står helt stille. Prøv aldrig på at tage rondellen ud af emnet eller at trække den tilbage, så længe rondellen bevæger sig eller der er risiko for tilbageslag.** Find ud af, hvorfor rondellen har sat sig fast, og træf passende forholdsregler for at gøre den fri igen.
- ◆ **Start ikke igen skæreoperationen i arbejdsemnet. Lad rondellen først opnå sin fulde rotationshastighed og før den så ned igen i skåret.** Rondellen kan sætte sig fast, bevæge sig ud af eller give tilbageslag på arbejdsemnet.
- ◆ **Store arbejdsemner skal afstøttes for at mindske risikoen for fastlåsning af rondellen eller tilbageslag.** Store arbejdsemner har en tendens til at bøje ned i midten på grund af deres egenvægt. Plader skal afstøttes på begge sider, både i nærheden af skæresnittet og ved pladens kant.
- ◆ **Vær især forsigtig, hvis der skal udføres et "dyksnit" i et uoverskueligt område, f.eks. i en eksisterende væg.** Savklingen, der skal dykke ned, kan gennemskære gas- eller vandrør, elkabler eller genstande, som kan give tilbageslag.

Sikkerhedsadvarsler især for slibeoperationer

- ◆ **Anvend ikke papirsliberondeller i for stor størrelse.**
Følg producentens anvisninger ved valg af sandpapir.
 For stort sandpapir, der strækker sig ud over slibepuden udgør en skadesrisiko og kan forårsage fastklemning, iturivning af rondellen eller tilbageslag.

Sikkerhedsadvarsler især for poleringsoperationer

- ◆ **Tillad ikke nogle løse dele af polerrondellen eller dens fastgørelsessnøre at rotere frit. Løse fastgørelsessnøre skal stikkes ind eller skæres af.** Løse eller roterende fastgørelsessnøre kan gribe fat i dine fingre eller sætte sig fast i arbejdsområdet.

Sikkerhedsadvarsler især for rundbørsteoperationer

- ◆ **Glem ikke at børstetråde smides ud fra børsten selv under normal operation. Læg ikke for stort pres på trådene ved at trykke for hårdt med rundbørsten.** Ståltrådene kan uden vanskelighed gennemøre let tøj og/eller hud.
- ◆ **Hvis det anbefales at anvende en skærm under brug af en stålrundbørste, pas på at børsten ikke rører ved skærmen.** Stålrundbørsten eller børsten kan øge sin diameter grundet arbejdsstrykket eller centrifugalkraften.

Andres sikkerhed

- ◆ Dette apparat er ikke egnet for at brug af personer (inklusive børn) med manglende fysiske, sensorielle eller mentale evner eller erfaring, med mindre de har modtaget undervisning eller instruktioner i brug af apparatet fra en person, som er ansvarlig for sikkerheden.
- ◆ Der skal være opsyn med børn for at sikre, at de ikke leger med apparatet.

Vibration

De deklarerede vibrationsemissionsværdier, som er angivet i tekniske data og overensstemmelseserklæring er blevet udmålt i overensstemmelse med en standardtestmetode foreskrevet af EN 60745 og kan anvendes til at sammenligne et værktøj med et andet. De deklarerede vibrationsemissionsværdier kan ligeledes anvendes i en præliminær undersøgelse af eksponeringen.

Advarsel! Vibrationsemissionsværdien under den faktiske brug af værktøjet kan variere fra den deklarerede værdi, alt efter hvilken måde værktøjet anvendes på. Vibrationerne kan nå op på et niveau over det anførte.

Når vibrationseksponeringen undersøges med det formål at fastsætte sikkerhedsforanstaltningerne ifølge 2002/44/EF for at beskytte personer, som regelmæssigt anvender værktøjer i forbindelse med deres arbejde, bør en måling af vibrationseksponeringen betænke, den måde værktøjet anvendes på inklusive alle dele af arbejdsacyklussen såsom tidspunkter, hvor værktøjet er slukket eller kører i tomgang, ud over det tidsrum hvor det anvendes.

Etiketter på værktøjet

Følgende piktogrammer ses på værktøjet:



Advarsel! For at mindske risikoen for skader skal brugeren læse instruktionsmanualen.



Det anbefales at bære sikkerhedsbriller, når man arbejder med dette værktøj.



Man skal benytte høreværn, når man arbejder med dette værktøj.

El-sikkerhed



Denne maskine er dobbelt isoleret. Derfor er jordledning ikke nødvendig. Kontroller altid, at strømforsyningen svarer til spændingen på apparatskiltet.

- ◆ Hvis el-ledningen er skadet, skal den udskiftes af producenten eller et autoriseret Black & Decker servicecenter for at undgå ulykker.

Funktioner

Dette værktøj har nogle af eller alle følgende funktioner.

1. Afbryder
2. Sidehåndtag
3. Spindellås
4. Beskyttelsesskærm

Montering

Advarsel! Før montering skal man sikre sig, at værktøjet er slukket og taget ud af stikkontakten.

Isætning og fjernelse af beskyttelsesskærmen (fig. A & B)

Værktøjet er forsynet med en beskyttelsesskærm kun beregnet for slibeopgaver. Hvis værktøjet skal udføre skæreopgaver, skal der monteres en speciel beskyttelsesskærm til dette formål. En passende beskyttelsesskærm for skæreopgaver, del nummer 1004484-00 & 1004484-01 eksisterer og nal fås hos Black & Decker servicecentre.

Montering

- ◆ Placer værktøjet på et bord med spindelen (5) opad.
- ◆ Placer fjederskiven (6) over spindelen og anbring den på skulderen (7).
- ◆ Anbring beskyttelsesskærmen (4) på værktøjet som vist.
- ◆ Placer flangen (8) over spindelen med de fremstående rør vendt mod beskyttelsesskærmen. Sørg for, at hullerne i flangen flugter med skruerhullerne.
- ◆ Fastgør flangen med skrueerne (9). Sørg for, at skrueerne er strammet helt, og at beskyttelsesskærmen kan drejes.

Fjernelse

- ◆ Benyt en skruetrækker til at fjerne skrueerne (9) med.
- ◆ Fjern flangen (8), beskyttelsesskærmen (4) og fjederskiven (7). Opbevar disse dele omhyggeligt.

Advarsel! Benyt aldrig værktøjet uden beskyttelsesskærmen.

Montering af sidehåndtaget

- ◆ Skru sidehåndtaget (2) ind i et af monteringshullerne i værktøjet.

Advarsel! Benyt altid sidehåndtaget.

Montering og demontering af slibe- eller skærerondeller (fig. C - E)

Man skal altid benytte rondeller af korrekt type til opgaven. Benyt altid rondeller med korrekt diameter og hulstørrelse (se tekniske specifikationer).

Montering

- ◆ Monter beskyttelsesskærmen som beskrevet ovenfor.
- ◆ Placer den indre flange (10) på spindelen (5) som vist (fig. C). Sørg for, at flangen er korrekt placeret på den flade side af spindelen.
- ◆ Placer rondellen (11) på spindelen (5) som vist (fig. C). Hvis rondellen har en løftet midterdel (12), skal man sørge for, at denne vender mod den indre flange.
- ◆ Sørg for, at rondellen er korrekt placeret på den indre flange.
- ◆ Sæt den ydre flange (13) på spindelen. Ved montering af en sliberondel skal den løftede midterdel af den ydre flange vende mod rondellen (A i fig. D). Ved montering af en skærerondel skal den løftede midterdel af den ydre flange vende væk fra rondellen (B i fig. D).
- ◆ Hold spindellåsen (3) trykket ind, og stram den ydre flange ved hjælp af skruenøglen med to tappe (14) (fig. E).

Fjernelse

- ◆ Hold spindellåsen (3) trykket ind, og løs den ydre flange (13) ved hjælp af skruenøglen med to tappe (14) (fig. E).
- ◆ Fjern den ydre flange (13) og rondellen (11).

Montering og demontering af sliberondeller (fig. E & F)

En støtterondel er nødvendig ved slibning. Støtterondellen fås hos Black & Decker-forhandleren som tilbehør.

Montering

- ◆ Placer den indre flange (10) på spindelen (5) som vist (fig. F). Sørg for, at flangen er korrekt placeret på den flade side af spindelen.
- ◆ Placer støtterondellen (15) på spindelen.
- ◆ Placer sliberondellen (16) på støtterondellen.
- ◆ Placer den ydre flange (13) på spindelen med den løftede midterdel vendt væk fra rondellen.
- ◆ Hold spindellåsen (3) trykket ind, og stram den ydre flange ved hjælp af skruenøglen med to tappe (14) (fig. E). Sørg for, at den ydre flange er monteret korrekt, og at rondellen er klemt godt fast.

Fjernelse

- ◆ Hold spindellåsen (3) trykket ind, og løs den ydre flange (13) ved hjælp af skruenøglen med to tappe (14) (fig. E).
- ◆ Fjern den ydre flange (13), sliberondellen (16) og støtterondellen (15).

Anvendelse

Advarsel! Lad værktøjet arbejde i dets eget tempo.

Det må ikke overbelastes.

- ◆ Før ledningen omhyggeligt for at undgå at komme til at klippe den over.
- ◆ Vær forberedt på en strøm af gnister, hvis slibe- eller skærerondellen rører arbejdsemnet.
- ◆ Placer altid værktøjet på en sådan måde, at beskyttelsesskærmen yder optimal beskyttelse mod slibe- eller skærerondellen.

Start og stop

- ◆ Tænd værktøjet ved at skyde afbryderen (1) fremad. Bemærk at værktøjet fortsætter med at køre, når du slipper kontakten.
- ◆ Sluk værktøjet ved at trykke på den bageste del af afbryderen.

Advarsel! Sluk ikke for værktøjet, mens det kører med belastning.

Gode råd til optimalt brug

- ◆ Hold godt fat i værktøjet med den ene hånd om sidehåndtaget og den anden om hovedhåndtaget.
- ◆ Ved slibning skal man altid holde en vinkel på ca. 15° mellem rondellen og arbejdsemnets overflade.

Vedligeholdelse

Dit el-/batteridrevne Black & Decker apparat/værktøj er designet til at være i drift i lang tid og med minimal vedligeholdelse. Forsat tilfredsstillende anvendelse afhænger af, at værktøjet behandles korrekt og gøres rent med regelmæssige mellemrum.

Advarsel! Før der udføres vedligeholdelse af el-/batteridrevne værktøj:

- ◆ Sluk for apparatet/værktøjet og træk stikket ud af kontakten.
- ◆ Eller sluk og fjern batteriet fra apparatet/værktøjet, hvis apparatet/værktøjet har et separat akkumulatorbatteri.
- ◆ Aflad ellers batteri helt, hvis det er integreret, og sluk derefter.
- ◆ Tag opladeren ud af stikkontakten før rengøring. Opladeren kræver ingen anden vedligeholdelse end regelmæssig rengøring.
- ◆ Rengør regelmæssigt apparatets/værktøjets ventilationshuller og oplader med en blød børste eller en tør klud.
- ◆ Man skal regelmæssigt gøre motorhuset rent med en fugtig klud. Man må ikke bruge rensedmidler med slibemidler eller opløsningsmidler.
- ◆ Man skal regelmæssigt åbne patronen og banke den let for at fjerne støv fra dens indre (når den er installeret).

Beskyttelse af miljøet



Separat indsamling. Dette produkt må ikke bortskaffes sammen med almindeligt husholdningsaffald.

Hvis du en dag skal udskifte dit Black & Decker produkt, eller hvis du ikke skal bruge det længere, må du ikke bortskaffe det sammen med husholdningsaffald. Dette produkt skal være tilgængeligt for separat indsamling.



Separat indsamling af brugte produkter og emballage gør det muligt at genbruge materialer. Genbrugte materialer forebygger miljøforurening og nedbringer behovet for råstoffer.

Lokale regler kan give mulighed for separat indsamling af elektriske husholdningsprodukter på kommunale lossepladser eller hos den forhandler, som du købte produktet af.

Black & Decker har en facilitet til indsamling og genbrug af Black & Decker-produkter, når deres levetid er slut. Få fordelene ved denne service ved at returnere produktet til en autoriseret tekniker, der samler værktøj sammen på vores vegne.

Du kan få oplyst den nærmeste autoriserede tekniker ved at kontakte det lokale Black & Decker-kontor på den adresse, der er angivet i denne brugsanvisning. Alternativt findes der en liste over autoriserede Black & Decker-teknikere og oplysninger om vores eftersalgsservice og kontaktpersoner på Internettet på adressen: www.2helpU.com

Tekniske data

		AST15 TYPE 2	KG725 TYPE 2	KG900 TYPE 2
Spænding	V_{AC}	230	230	230
Motoreffekt	W	900	701	900
Ubelastet hastighed	min^{-1}	10.000	10.000	10.000
Rondeldiameter	mm	115	125	100
Rondellens hul	mm	22	22	16
Maksimal rondeltykkelse				
sliberondeller	mm	6	6	6
skærerondeller	mm	3,5	3,5	3,5
Spindelstørrelse		M14	M14	M10
Vægt	kg	2,1	2,1	2,1

		KG915 TYPE 2	KG925 TYPE 2
Spænding	V_{AC}	230	230
Motoreffekt	W	900	900
Ubelastet hastighed	min^{-1}	10.000	10.000
Rondeldiameter	mm	115	125
Rondellens hul	mm	22	22
Maksimal rondeltykkelse			
sliberondeller	mm	6	6
skærerondeller	mm	3,5	3,5
Spindelstørrelse		M14	M14
Vægt	kg	2,1	2,1

Lydniveau i henhold til EN 60745:

Lydtryk (L_{pA}) 91 dB(A), usikkerhed (K) 3 dB(A)
 Lydintensitet (L_{WA}) 102 dB(A), usikkerhed (K) 3 dB(A)

Vibrationernes totale værdi (triax vector sum) i henhold til EN 60745:

Overfladeslibning ($a_{h,AC}$) 7 m/s^2 , usikkerhed (K) 1,5 m/s^2
 Afskæring (a_h) 2,5 m/s^2 , usikkerhed (K) 1,5 m/s^2

EU overensstemmelseserklæring

MASKINDIREKTIV



AST15/KG725/KG900/KG915/KG925

Black & Decker erklærer, at disse produkter, beskrevet under "tekniske data", overholder følgende:
98/37/EF (indtil Dec. 28, 2009), 2006/42/EF (fra Dec. 29, 2009), EN 60745-1, EN 60745-2-3

For mere information, kontakt venligst Black & Decker på følgende adresse eller på adressen bagerst i brugsanvisningen.

Undertegnede er ansvarlig for kompilering af den tekniske fil og laver denne deklaration på vegne af Black & Decker.

Kevin Hewitt
Vice-President Global Engineering
Black & Decker Europe, 210 Bath Road, Slough,
Berkshire, SL1 3YD
Storbritannien
30-9-2009

Garantien gælder ikke for fejl og mangler, der er sket i forbindelse med:

- ◆ normal slitage
- ◆ uheldige følger efter unormal anvendelse af værktøjet
- ◆ overbelastning, hærværk eller overdrevent intensivt brug af værktøjet
- ◆ ulykkeshændelse

Garantien gælder ikke hvis reparationer er udført af nogen anden end et autoriseret Black & Decker værksted.

For at udnytte garantien skal produktet og købskvitteringen indleveres til forhandleren eller til et autoriseret værksted, senest 2 måneder efter at fejlen opdages. For information om nærmeste autoriserede værksted: kontakt det lokale Black & Decker kontor på den adresse som er opgivet i brugsanvisningen. Liste over alle autoriserede Black & Decker serviceværksteder samt servicevilkår er tilgængelig på internettet, på adressen www.2helpU.com

Gå venligst ind på vores website www.blackanddecker.dk for at registrere dit nye produkt og for at blive holdt ajour om nye produkter og specialtilbud. Der findes yderligere oplysninger om mærket Black & Decker og vores produktsortiment på adressen www.blackanddecker.dk

Reserve dele / reparationer

Reserve dele kan købes hos autoriserede Black & Decker serviceværksteder, som giver forslag til omkostninger og reparerer vore produkter. Oversigt over vore autoriserede værksteder findes på internettet på vor hjemmeside www.blackanddecker.dk samt www.2helpU.com

Garanti

Black & Decker garanterer, at produktet er fri for materielle skader og/eller fabrikationsfejl ved levering til kunden. Garantien er et tillæg til konsumentens lovlige rettigheder og påvirker ikke disse. Garantien gælder indenfor medlemsstaterne af den Europæiske Union og i det Europæiske Frihandelsområde.

Hvis et Black & Decker produkt går i stykker på grund af materiel skade og/eller fabrikationsfejl eller på anden måde ikke fungerer i overensstemmelse med specifikationen, inden for 24 måneder fra købsdatoen, påtager Black & Decker sig at reparere eller ombytte produktet med mindst muligt besvær for kunden.

Käyttötarkoitus

Black & Deckerin kulmahiomakone on tarkoitettu metallin ja kiven leikkaamiseen käyttäen sopivaa katkaisu- tai hiomalaikkaa. Kone on tarkoitettu kotikäyttöön.

Turvaohjeet

Yleiset sähkötyökalujen turvallisuusohjeet



Varoitus! Kaikki ohjeet täytyy lukea. Alla olevien ohjeiden noudattamisen laiminlyönti saattaa johtaa sähköiskuun, tulipaloon ja/tai vakavaan loukkaantumiseen.

Säilytä nämä ohjeet hyvin. Seuraavassa käytetty käsite "sähkötyökalu" käsittää verkkokäyttöiset sähkötyökalut (verkkojohdolla) ja paristokäyttöiset sähkötyökalut (ilman verkkojohdtoa).

1. Työpisteen turvallisuus

- Pidä työskentelyalue puhtaana ja hyvin valaistuna.** Epäjärjestyksessä olevilla ja valaisemattomilla työalueilla voi tapahtua tapaturmia.
- Älä työskentele sähkötyökalulla räjähdysalttiissa ympäristössä, jossa on palavaa nestettä, kaasua tai pölyä.** Sähkötyökalu muodostaa kipinöitä, jotka saattavat sytyttää pölyn tai höyryt.
- Pidä lapset ja sivulliset loitolla sähkötyökalua käyttäessäsi.** Voit menettää laitteesi hallinnan huomiosi suuntautuessa muualle.

2. Sähköturvallisuus

- Sähkötyökalun pistotulpan tulee sopia pistorasiaan.** Pistotulppaa ei saa muuttaa millään tavalla. Älä käytä minkäänlaisia sovittinpistokkeita maadoitettujen sähkötyökalujen kanssa. Alkuperäisessä tilassa olevat pistotulpat ja sopivat pistorasiat vähentävät sähköiskun vaaraa.
- Vältä koskettamasta maadoitettuja pintoja, kuten putkia, pattereita, liesiä tai jääkaappeja.** Sähköiskun vaara kasvaa, jos kehosi on maadoitettu.
- Älä altista sähkötyökalua sateelle tai kosteudelle.** Veden tunkeutuminen sähkötyökalun sisään kasvattaa sähköiskun riskiä.
- Älä käytä verkkojohdtoa väärin. Älä käytä sitä sähkötyökalun kantamiseen, vetämiseen tai pistotulpan irrottamiseen pistorasiasta. Pidä johto loitolla kuumuudesta, öljystä, terävistä reunoista ja liikkuvista osista.** Vahingoittuneet tai sotkeutuneet johdot kasvattavat sähköiskun vaaraa.

- Käyttäessäsi sähkötyökalua ulkona, käytä ainoastaan ulkokäyttöön soveltuvaa jatkojohtoa.** Ulkokäyttöön soveltuvan jatkojohdon käyttö pienentää sähköiskun vaaraa.
- Jos sähkötyökalua joudutaan käyttämään kosteassa ympäristössä, käytä aina jäännösvirtalaitteella (RCD) suojattua virtalähdettä.** Jäännösvirtalaitteen käyttö vähentää sähköiskun vaaraa.

3. Henkilöturvallisuus

- Ole valpas, kiinnitä huomiota työskentelyysi ja noudata tervettä järkeä sähkötyökalua käyttäessäsi. Älä käytä sähkötyökalua, jos olet väsynyt tai huumeiden, alkoholin tai lääkkeiden vaikutuksen alaisena.** Hetken tarkkaamattomuus sähkötyökalua käytettäessä saattaa johtaa vakavaan loukkaantumiseen.
- Käytä suojarusteita. Käytä aina suojalaseja.** Suojarusteet, kuten pölynsuojanaamari, luistamattomat turvajalkineet, kypärä ja kuulosuojaimet pienentävät, tilanteen mukaan oikein käytettynä, loukkaantumisriskiä.
- Vältä sähkötyökalun tahatonta käynnistämistä.** Varmista, että käynnistyskytkin on asennossa "off", ennen kuin kytket pistotulpan pistorasiaan tai kannat sähkötyökalua. Jos kannat sähkötyökalua sormi käynnistyskytkimellä tai kytket sähkötyökalun pistotulpan pistorasiaan, käynnistyskytkimen ollessa käyntiasennossa, altistat itsesi onnettomuuksille.
- Poista kaikki säätötyökalut ja ruuvitaltat, ennen kuin käynnistät sähkötyökalun.** Laitteen pyörivään osaan jäänyt työkalu tai avain saattaa johtaa loukkaantumiseen.
- Älä kurkota. Seiso aina tukevasti ja tasapainossa.** Täten voit paremmin hallita sähkötyökalua odottamattomissa tilanteissa.
- Käytä tarkoitukseen soveltuvia vaatteita. Älä käytä löysiä työvaatteita tai koruja. Pidä hiukset, vaatteet ja käsineet loitolla liikkuvista osista.** Väljät vaatteet, korut ja pitkät hiukset voivat takertua liikkuviin osiin.
- Jos pölynimu- ja keräilylaitteita voidaan asentaa työkaluun, sinun pitää tarkistaa, että ne on liitetty ja että niitä käytetään oikealla tavalla.** Näiden laitteiden käyttö vähentää pölyn aiheuttamia vaaroja.

4. Sähkötyökalujen käyttö ja hoito

- Älä ylikuormita sähkötyökalua. Käytä kyseiseen työhön tarkoitettua sähkötyökalua.** Sopivaa sähkötyökalua käyttäen työskentelet paremmin ja varmemmin tehoalueella, jolle sähkötyökalu on tarkoitettu.
- Älä käytä sähkötyökalua, jota ei voida käynnistää ja pysäyttää virtakytkimestä.** Sähkötyökalu, jota ei enää voida käynnistää ja pysäyttää käynnistyskytkimellä, on vaarallinen ja se täytyy korjata.

- c. Irrota pistotulppa pistorasiasta, ennen kuin suoritat säätöjä, vaihdat tarvikkeita tai siirät sähkötyökalun varasteitavaksi. Nämä turvatoimenpiteet laskevat sähkötyökalun tahatonta käynnistysriskiä.
 - d. Säilytä sähkötyökalu poissa lasten ulottuvilta, kun niitä ei käytetä. Älä anna sellaisten henkilöiden käyttää sähkötyökalua, jotka eivät tunne sitä tai jotka eivät ole lukeneet tätä käyttöohjetta. Sähkötyökalut ovat vaarallisia, jos niitä käytetään kokemattomat henkilöt.
 - e. Hoida sähkötyökalusi huolella. Tarkista, että liikkuvat osat toimivat moitteettomasti, eivätkä ole puristuksessa ja että työkalussa ei ole murtuneita tai vahingoittuneita osia, jotka saattaisivat vaikuttaa haitallisesti sen toimintaan. Korjauta mahdolliset viat ennen käyttöönottoa. Moni tapaturma aiheutuu huonosti huolletuista laitteista.
 - f. Pidä leikkausterät terävinä ja puhtaina. Huolellisesti hoidetut leikkaustyökalut, joiden terät ovat teräviä, eivät tartu helposti kiinni ja niitä on helpompi hallita.
 - g. Käytä sähkötyökaluja, tarvikkeita, vaihtotyökaluja jne. näiden ohjeiden mukaisesti. Ota tällöin huomioon työolosuhteet ja suoritettava toimenpide. Sähkötyökalun käyttö muuhun kuin tarkoituksenmukaiseen käyttöön saattaa johtaa vaarallisiin tilanteisiin.
5. Huolto
- a. Anna koulutettujen ammattitaitoisten henkilöiden korjata sähkötyökalusi ja hyväksy korjauksiin vain alkuperäisiä varaosia. Täten varmistat, että sähkötyökalu säilyy turvallisena.

Sähkötyökalujen lisäturvallisuusohjeet



Varoitus! Hionnan, teräsharjauksen, kiillotuksen ja hiovan leikkauksen lisäturvallisuusohjeet.

- ◆ Tämä sähkötyökalu on tarkoitettu hiontaan, teräsharjaukseen, kiillotukseen ja leikkaukseen. Lue kaikki turvallisuusohjeet, ohjeet, kuvat ja tekniset tiedot jotka on toimitettu tämän sähkötyökalun mukana. Alla olevien ohjeiden noudattamisen laiminlyönti saattaa johtaa sähköiskuun, tulipaloon ja/tai vakavaan loukkaantumiseen.
- ◆ Toimenpiteet, joihin sähkötyökalua ei ole suunniteltu, voivat aiheuttaa vaaroja ja henkilövahinkoja.
- ◆ Älä käytä lisälaitteita joita työkalun valmistaja ei erikseen ole suunnitellut ja suositellut. Vaikka lisälaitte olisi mahdollista kiinnittää sähkötyökaluun, se ei tarkoita että sen käyttö olisi turvallista.
- ◆ Lisälaitteen nimellinopeus tulee olla vähintään yhtä suuri kuin sähkötyökaluun merkitty maksiminopeus. Lisälaitteet, jotka pyörivät nopeammin kuin nimellinopeus, voivat rikkoutua ja hajota osiin.

- ◆ Lisälaitteen ulkoläpimitan ja paksuuden tulee olla sähkötyökalun käyttöalueen sisäpuolella. Väärän kokoisia lisälaitteita ei voida suojella ja säätää riittävästi.
- ◆ Laippojen, tukilaippojen ja muiden lisälaitteiden kiinnitysreiän tulee mahtua kunnolla sähkötyökalun karaan. Lisälaitteet, joiden kiinnitysreikä ei sovi sähkötyökalun kiinnitysoosiin, menevät pois tasapainosta, värähtelevät liikaa ja voivat aiheuttaa työkalun hallinnan menetyksen.
- ◆ Älä käytä vahingoittunutta lisälaitetta. Tarkista ennen käyttöä lisälaitteet kuten hiomalaikat lastujen ja halkeamien varalta, tukilaipat halkeamien, repeämien tai liian kulumisen varalta, teräsharja irronneiden tai haljenneiden lankojen varalta. Jos sähkötyökalu tai lisälaitte tippuu lattialle, tarkista se vaurioiden varalta tai vaihda tilalle ehjä lisälaitte. Kun olet tarkistanut ja asentanut lisälaitteen, käytä sähkötyökalua kuormittamattomalla maksimiteholla minuutin ajan. Vahingoittuneet lisälaitteet hajoavat yleensä tämän testikäytön aikana.
- ◆ Käytä suojavarusteita. Riippuen kohteesta, käytä kasvosuojainta tai suojalaseja. Käytä tarpeen mukaan pölysuojainta, kuulosuojaimia, käsineitä ja työpaja esiliinaa joka suojaa pieniltä hiomalaikan ja työstökappaleen palasilta. Silmäsuojainten tulee pystyä pysäyttämään eri tilanteissa syntyvät lentävät kappaleet. Pölysuojaimen tai hengityssuojaimen tulee pystyä suodattamaan käytössä syntyvät hiukkaset. Pitkäaikainen altistuminen voimakkaalle melulle voi aiheuttaa kuulon heikentymistä.
- ◆ Pidä sivulliset turvallisen etäisyyden päässä työalueelta. Jokaisen, joka saapuu työalueelle, tulee käyttää suojavarusteita. Työstökappaleen tai rikkoutuneen lisälaitteen osat voivat lentää pois päin ja aiheuttaa vammoja välittömän työalueen ulkopuolella.
- ◆ Käsittele sähkötyökalua vain eristävien tartuntapintojen avulla kun teet työtä jossa leikkaustarvike voi joutua kosketuksiin piilossa olevien sähköjohtojen tai oman virtajohtonsa kanssa. Jännitteiseen johtimeen koskettava leikkaustarvike saattaa tehdä sähkötyökalun paljaista metalliosista jännitteisiä ja aiheuttaa sähköiskun käyttäjälle.
- ◆ Sijoita johto etäälle pyörivästä lisälaitteesta. Jos menetät työkalun hallinnan, johto voi leikkautua tai repeytyä ja käsi tai käsivarsi voi joutua vedetyksi pyörivään lisälaitteeseen.
- ◆ Älä koskaan laske sähkötyökalua alas ennen kuin lisälaitte on täysin pysähtynyt. Pyörivä lisälaitte voi tarttua pintaan ja vetää työkalun pois hallinnasta.
- ◆ Älä käytä sähkötyökalua kun kannat sitä sivulla. Pyörivän lisälaitteen koskettaminen vahingossa voi repiä vaatteita ja vetää lisälaitteen kiinni kehoon.

- ◆ **Puhdista säännöllisesti työkalun ilma-aukot.** Moottorin tuuletin vetää pölyä sisään koteloon ja metallipölyn liiallinen kasaantuminen voi aiheuttaa sähköön liittyviä vaaratilanteita.
- ◆ **Älä käytä sähkötyökalua syttyvien materiaalien läheisyydessä.** Kipinät voivat sytyttää nämä materiaalit.
- ◆ **Älä käytä lisälaitteita jotka vaativat nestemäisiä jäähdytysaineita.** Veden tai muun nestemäisen jäähdytysaineen käyttö voi aiheuttaa sähköiskun.

Huomautus: Edellä oleva varoitus ei koske sähkötyökalua, joka on erityisesti suunniteltu nestejärjestelmiin.

Takapotku ja siihen liittyvät varoitukset

Takapotku on äkillinen reaktio puristukseen joutuneeseen tai kuumuraiseen laippaan, tukilaippaan, harjaan tai muuhun lisälaitteeseen. Kiillautuminen tai kuumuraisuus aiheuttaa pyörivän lisälaitteen äkillisen pysähtymisen joka taas aiheuttaa sähkötyökalun kääntymisen väkisin vastakkaiseen suuntaan lisälaitteen pyörimiseen nähden kiillautumiskohdassa.

Jos esimerkiksi hiomalaikka menee kumuroille tai kiillautuu työstökappaleeseen, laikan reuna joka tulee kohti kiillautumiskohtaa voi työntyä materiaalin pintaan ja aiheuttaa laikan nousemisen ylös tai työntymisen ulos. Laikka voi hypätä joko kohti käyttäjää tai poispäin, riippuen laikan suunnasta kiillautumiskohdassa. Hiomalaikat voivat myös rikkoutua tässä tilanteessa.

Takapotku on seurausta sähkötyökalun väärinkäytöstä ja/tai vääristä käyttötoivoista tai -ympäristöstä ja se voidaan välttää noudattamalla alla kuvattuja varotoimia.

- ◆ **Pidä sähkötyökalusta tukevasti kiinni ja aseta vartaloasi käsivartesi niin, että pystyt vastustamaan takapotkun voimia.** Käytä aina ylimääräistä kahvaa, jos asennettu, saadaksesi takapotkun tai väännön käynnistyksen aikana mahdollisimman hyvin hallintaan. Käyttäjä voi hallita vääntöä ja takapotkun voimia jos noudatetaan asiaankuuluvia varotoimia.
- ◆ **Älä koskaan laita kättä pyörivän lisälaitteen lähelle.** Lisälaitte voi tehdä takapotkun käden ylitse.
- ◆ **Älä laita vartaloasi alueelle, johon sähkötyökalu siirtyy jos takapotku tapahtuu.** Takapotku sysää työkalun liikkeeseen vastakkaiseen suuntaan laikan liikkeeseen nähden kiillautumiskohdassa.
- ◆ **Ole erityisen varovainen kun työstät kulumia, teräviä reunoja jne. Vältä lisälaitteen hyppimistä ja repimistä.** Kulmat, terävät reunat ja hyppiminen voivat repiä pyörivää lisälaitetta ja aiheuttaa hallinnan menetyksen tai takapotkun.
- ◆ **Älä kiinnitä moottorisahan puunleikkausterää tai hammastettua sahanterää.** Tällaiset terät aiheuttavat usein takapotkun ja hallinnan menetyksen.

Hiomis- ja leikkaustoimenpiteiden lisäturvallisuusohjeet

Hiomistoimenpiteiden ja hiovien leikkaustoimenpiteiden erityiset turvallisuusohjeet

- ◆ **Käytä ainoastaan työkaluun sopivaa hiomalaikkaa ja valittuun hiomalaikkaan sopivaa erityistä suoja.** Hiomalaikkoja, joita ei ole tarkoitettu käytettäväksi työkalussa, ei voida suojata riittävän hyvin eivätkä ne ole täten turvallisia.
- ◆ **Suoja on liitettävä tiukasti työkaluun ja asetettava asentoon, jossa se maksimoi turvallisuuden niin, että mahdollisimman vähän laikkaa näkyy käyttäjään päin.** Suoja estää laikan sirpaleiden osumisen käyttäjään ja kosketuksen laikkaan.
- ◆ **Laikkoja tulee käyttää ainoastaan suositeltuihin käyttötarkoituksiin. Esimerkiksi: älä käytä leikkuulaikkaa hiomiseen.** Hiovat leikkuulaikat on tarkoitettu lisähiomiseen, jos niihin kohdistetaan sivuvoimia, ne voivat rikkoutua.
- ◆ **Käytä aina ehjiä laikan vaippoja, jotka ovat oikean kokoisia ja muotoisia valittuun laikkaan nähden.** Oikeat laikan vaipat tukevat laikkaa ja täten vähentävät laikan rikkoutumisriskiä. Leikkuulaikkojen vaipat voivat poiketa hiomalaikkojen vaipoista.
- ◆ **Älä käytä kulutettuja ja suurimmilla koneilla käytettyjä laikkoja.** Suurimpiin työkaluihin tarkoitetut laikat eivät sovi pienemmän työkalun suurempaan nopeuteen ja ne voivat puhjeta.

Hiovan leikkaamisen lisäturvallisuusohjeet.

- ◆ **Älä "tunge" leikkaavaa laikkaa tai käytä liian kovaa painetta. Älä yritä tehdä liian syvää leikkausta.** Laikan ylikuormitus lisää kuormitusta ja alttiutta laikan vääntymiseen ja kiillautumiseen leikkauksessa ja takapotkun ja laikan rikkoutumisen mahdollisuutta.
- ◆ **Älä laita vartaloasi samaan linjaan ja pyörivän laikan taakse.** Kun laikka on työstökohdassa liikkeessä poispäin vartalosta, mahdollinen takapotku voi työntää pyörivän laikan ja sähkötyökalun suoraan sinua kohti.
- ◆ **Kun laikka kiillautuu tai jos lopetat leikkaamisen mistä tahansa syystä, laita sähkötyökalun virta pois päältä ja pidä sitä liikkumattomana kunnes laikka on kokonaan pysähtynyt. Älä koskaan yritä irrottaa leikkaavaa laikkaa leikkauksesta kun laikka on liikkeessä tai takapotku voi tapahtua.** Selvitä laikan jumitutumisen johtanut syy ja poista se.
- ◆ **Älä aloita leikkausta uudelleen työkappaleen sisällä.** Anna laikan saavuttaa täysi nopeus ja sirry sitten varovasti leikkaukseen. Laikka voi kiillautua, nousta ylös tai tehdä takapotkun jos sähkötyökalu käynnistetään uudelleen työstökappaleen sisällä.

- ◆ **Kannata paneeleita tai muita ylisuuria työstökappaleita jotta laikan kiilautumisen ja takapotkun riski minimoituu.** Suuret työstökappaleet taipuvat usein notkolle omasta painostaan. Työstökappaleen alapuolelle tulee sijoittaa tuet molemmille puolille laikkaa lähelle leikkauskohtaa ja työstökappaleen reunaa.
- ◆ **Ole erityisen varovainen jos teet "pistosahauksen" paikoillaan olevaan seinään tai muuhun tuntemattomaan paikkaan.** Ulostyöntävä laikka voi leikata kaasu- tai vesiputkia, sähköjohtoja tai kappaleita jotka aiheuttavat takapotkun.

Hiomista koskevat turvallisuusohjeet

- ◆ **Älä käytä hyvin ylisuurta hiomalaikan paperia. Seuraa valmistajan suosituksia valitessasi hiomapaperia.** Suuri hiomapaperi joka ylittää hiomalaikan koon aiheuttaa repeämisaaran ja voi aiheuttaa repeämiä laikassa tai takapotkun.

Kiillotusta koskevat turvallisuusohjeet

- ◆ **Älä anna minkään kiillotushupun löysän osan tai sen kiinnitysnaurujen pyöriä vapaasti. Työnnä sisään tai lyhennä löysät kiinnitysnaurut.** Löysät ja pyörivät kiinnitysnaurut voivat sotkeutua sormiin tai repiä työkaluista.

Teräsharjausta koskevat turvallisuusohjeet

- ◆ **Huomaa, että harjaksi lentää irti harjasta myös normaalin käytön aikana. Älä ylikuormita lankoja painamalla harjaa liian kovaa.** Harjakset voivat helposti mennä ohuen vaatteen ja/tai ihon läpi.
- ◆ **Jos suojan käyttöä suositellaan teräsharjaukseen, älä salli teräsharjalaikan tai teräsharjan päästä kosketuksiin suojan kanssa.** Teräsharjalaikan tai teräsharjan halkaisija voi kasvaa työstön paineen ja keskipakovoiman takia.

Muiden turvallisuus

- ◆ Henkilöt (lapset mukaan lukien), joilla on fyysisiä, tunnollisia tai henkisiä rajoituksia tai rajallinen kokemus ja tuntemus, eivät saa käyttää tätä laitetta ellei heidän turvallisuudesta vastaava henkilö valvo tai ohjaa heitä laitteen käytössä.
- ◆ Lapsia on valvottava, etteivät he leiki koneen kanssa.

Tärinä

Käyttöohjeen teknisissä tiedoissa ja vaatimustenmukaisuusvakuutuksessa ilmoitetut tärinän päästöarvot on mitattu EN 60745-normin vakioiden testimenetelmän mukaisesti ja niitä voidaan käyttää työkalun vertaamisessa toiseen. Ilmoitettua tärinän päästöarvoa voidaan myös käyttää altistumisen arviointiin ennakolta.

Varoitus! Sähkötyökalun tärinän päästöarvo voi varsinaisen käytön aikana poiketa ilmoitetusta arvosta riippuen siitä, millä tavalla työkalua käytetään. Tärinän taso voi kohota ilmoitetun tason yläpuolelle.

Kun tärinälle altistumista arvioidaan, jotta voidaan määrittää 2002/44/EY-direktiivin edellyttämät turvatoimenpiteet säännöllisesti sähkötyökaluja työssä käyttävien henkilöiden suojelemiseksi, tärinälle altistumisen arvion tulee ottaa huomioon varsinaiset käyttöolosuhteet ja työkalun käyttötavan, johon sisältyy kaikkien käyttöjakson osien huomioon ottaminen, kuten ajat, jolloin työkalu on pois päältä tai kun se käy joutokäyntiä sekä käynnistysajan.

Koneessa olevat merkit

Koneessa on seuraavat kuvakemerkinnät:



Varoitus! Loukkaantumisen vaaran ehkäisemiseksi käyttäjän on luettava käyttöohjeet.



Käytä suojalaseja konetta käytäessäsi.



Käytä kuulosuojaimia konetta käytäessäsi.

Sähköturvallisuus



Tämä laite on kaksoiseristetty; siksi erillistä maadoitusta ei tarvita. Tarkista aina, että virtalähde vastaa arvokilvessä ilmoitettua jännitettä.

- ◆ Jos sähköjohto on vaurioitunut, se saadaan vaihtaa vain valtuutetussa Black & Deckerin huoltoiliikkeessä vaaratilanteiden välttämiseksi.

Ominaisuudet

Tällä koneella on kaikki tai jotakin seuraavista ominaisuuksista.

1. Virrankatkaisija
2. Sivukahva
3. Karalukko
4. Suoja

Kokoaminen

Varoitus! Ennen kokoamista varmista, että kone on pois päältä eikä sitä ole liitetty virtalähteeseen.

Suojuksen kiinnittäminen ja poistaminen

(kuva A & B)

Tämän työkalun suojus on tarkoitettu vain hiomiseen. Jos laitetta on tarkoitus käyttää leikkaamiseen, tulee asentaa tähän käyttöön tarkoitettu suojus. Leikkaamiseen sopiva suojus osanumero 1004484-00 & 1004484-01 on saatavilla ja sen voi hankkia Black & Decker huoltokeskuksesta.

Kiinnitys

- ◆ Aseta työkalu pöydälle siten, että kara (5) osoittaa ylöspäin.
- ◆ Aseta jousivoimainen aluslevy (6) karan päälle ja asemoi se olakkeeseen (7).
- ◆ Aseta suoja (4) työkaluun kuvan osoittamalla tavalla.
- ◆ Aseta laippa (8) karan päälle siten, että ulostulevat pisteet ovat suojusta kohden. Varmista, että laipassa olevat reiät kohdistuvat ruuvinreikien kanssa.
- ◆ Kiinnitä laippa ruuveilla (9). Varmista, että ruuvit on täysin kiristetty ja, että suojusta voidaan pyörittää.

Irrotus

- ◆ Poista ruuvit (9) käyttämällä ruuvitaltaa.
- ◆ Irrota laippa (8), suojus (4) ja jousivoimainen aluslevy (7). Säilytä nämä osat huolellisesti.

Varoitus! Älä koskaan käytä konetta, jos suoja ei ole paikallaan.

Sivukahvan kiinnittäminen

- ◆ Ruuvaa sivukahva (2) johonkin työkalun asennusreikään.

Varoitus! Käytä sivukahvaa aina.

Hioma- tai katkaisulaikkojen kiinnitys ja poisto

(kuva C - E)

Käytä aina oikean tyyppistä laikkaa. Käytä aina laikkoja, joiden halkaisija ja sisäläpimita ovat oikeat (katso teknisiä tietoja).

Kiinnitys

- ◆ Kiinnitä suoja yllä kuvatulla tavalla.
- ◆ Pane sisempi laippa (10) karaan (5) kuvan C osoittamalla tavalla. Varmista, että laippa on oikealla paikalla karan litteällä puolella.
- ◆ Pane laikka (11) karaan (5) kuvan C osoittamalla tavalla. Jos laikassa on kohotettu keskusta (12), varmista, että se osoittaa sisempää laippaa kohti.
- ◆ Varmista, että laikka asettuu paikalleen sisemmän laipan päälle.
- ◆ Pane ulompi laippa (13) karaan. Kun kiinnität hiomalaikkaa, ulomman laipan kohotetun keskustan pitää osoittaa laikkaan päin (A kuvassa D). Kun kiinnität katkaisulaikkaa, ulomman laipan kohotetun keskustan pitää osoittaa pois päin laikasta (B kuvassa D).
- ◆ Pidä karalukko (3) painettuna alas ja kiristä ulompi laippa haarukka-avaimella (14) (kuva E).

Irrotus

- ◆ Pidä karalukko (3) painettuna alas ja löysää ulompaa laippaa (13) haarukka-avaimella (14) (kuva E).
- ◆ Poista ulompi laippa (13) ja laikka (11).

Smirgelilaikan kiinnitys ja poisto (kuva E & F)

Hiomiseen tarvitaan tukilaippaa. Tukilaippoja on saatavana Black & Decker -kauppailta.

Kiinnitys

- ◆ Pane sisempi laippa (10) karaan (5) kuvan F osoittamalla tavalla. Varmista, että laippa on oikealla paikalla karan litteällä puolella.
- ◆ Pane tukilaippa (15) karaan.
- ◆ Kiinnitä smirgelilaikka (16) tukilaippaan.
- ◆ Pane ulompi laippa (13) karaan siten, että sen kohotettu keskusta osoittaa pois päin laikasta.
- ◆ Pidä karalukko (3) painettuna alas ja kiristä ulompi laippa haarukka-avaimella (14) (kuva E). Varmista, että ulkolaippa on asennettu oikein ja että laikka on kiinnitetty tiukasti.

Irrotus

- ◆ Pidä karalukko (3) painettuna alas ja löysää ulompaa laippaa (13) haarukka-avaimella (14) (kuva E).
- ◆ Poista ulompi laippa (13), smirgelilaikka (16) ja tukilaippa (15).

Käyttö

Varoitus! Anna koneen käydä omaan tahtiinsa.

Älä ylikuormita sitä.

- ◆ Käsittele johtoa huolellisesti, jottet vaurioita sitä vahingossa.
- ◆ Varaudu kipinäsuuihkuun hioma- tai katkaisulaikan osuessa työstettävään kappaleeseen.
- ◆ Aseta kone aina sillä tavalla, että sen suoja tarjoaa parhaan suojan hioma- tai katkaisulaikoilta.

Käynnistys ja pysäytys

- ◆ Käynnistä laite työntämällä virrankatkaisinta (1) eteenpäin. Muista, että työkalu jatkaa pyörimistä vielä kytkimen vapauttamisen jälkeenkin.
- ◆ Sammuta kone painamalla virrankatkaisimen takaosaa.

Varoitus! Älä pysäytä konetta, jos se on kuormitettuna.

Vinkkejä parhaimman tuloksen saamiseksi

- ◆ Pidä toisella kädellä tukevasti kiinni sivukahvasta ja toisella pääkahvasta.
- ◆ Kun hiot, huolehdi siitä, että laikan ja työstettävän kappaleen pinnan välinen kulma aina noin 15°.

Huolto

Black & Deckerin langallinen/langaton laite/työkalu on suunniteltu toimimaan mahdollisimman pitkän aikaa mahdollisimman vähällä huollolla. Asianmukainen käyttö ja säännönmukainen puhdistus takaavat laitteen jatkuvan tyydyttävän toiminnan.

Varoitus! Ennen langallisen/langattoman sähkötyökalun huoltoa:

- ◆ Kytke laite/työkalu pois päältä ja irrota pistoke pistorasiasta.
- ◆ Tai kytke laite pois päältä ja irrota akku laitteesta/työkälusta, jos laitteessa/työkälussa on erillinen akku.
- ◆ Tai kuluta akku kokonaan loppuun, jos akku on integroitu laitteeseen ja kytke laite sen jälkeen pois päältä.
- ◆ Irrota laturi virtalähteestä ennen puhdistamista. Laturi ei tarvitse säännöllisen puhdistamisen lisäksi mitään muuta huoltoa.
- ◆ Puhdista työkalun/laitteen/laturin tuuletusaukot säännöllisesti pehmeällä harjalla tai kiuvalla siivousliinalla.
- ◆ Puhdista työkalun kuori säännöllisesti kostealla siivousliinalla. Älä koskaan käytä puhdistamiseen liuotainaineita tai syövyttäviä puhdistusaineita.
- ◆ Avaa istukka säännöllisin väliajoin ja kopauta sitä pölyjen poistamiseksi sisältä (jos asennettu).

Ympäristö



Erillinen keräys. Tätä tuotetta ei saa hävittää normaalin kotitalousjätteen kanssa.

Kun Black & Decker -koneesi on käytetty loppuun, älä hävitä sitä kotitalousjätteen mukana. Tämä tuote on kerättävä erikseen.



Käytettyjen tuotteiden ja pakkausten erillinen keräys mahdollistaa materiaalien kierrätyksen ja uudelleenkäytön. Kierrätettyjen materiaalien uudelleenkäyttö auttaa ehkäisemään ympäristön saastumisen ja vähentää raaka-aineiden kysyntää.

Paikallisten säännösten mukaisesti on mahdollista viedä kotitalouksien sähkölaitteet kuntien kaatopaikoille tai jättää ne vähittäismyyjälle ostettaessa uusi tuote.

Black & Decker tarjoaa mahdollisuuden Black & Decker -tuotteiden keräykseen ja kierrätykseen sen jälkeen, kun ne on poistettu käytöstä. Jotta voisit hyötyä tästä palvelusta, palauta laitteesi johonkin valtuutettuun huoltoliikkeeseen, joka kerää laitteet meidän puolestamme.

Voit tarkistaa lähimmän valtuutetun huoltoliikkeen sijainnin ottamalla yhteyden Black & Deckerin toimistoon, joka sijaitsee tässä käsikirjassa annetuissa osoitteissa. Lista valtuutetuista Black & Decker -huoltoliikkeistä sekä yksityiskohtaiset tiedot korjauspalvelustamme ovat vaihtoehtoisesti saatavilla Internetissä, osoitteessa www.2helpU.com

Tekniset tiedot

		AST15 TYPE 2	KG725 TYPE 2	KG900 TYPE 2
Jännite	V _{AC}	230	230	230
Ottoteho	W	900	701	900
Kuormittamaton nopeus	min ⁻¹	10.000	10.000	10.000
Laikan halkaisija	mm	115	125	100
Laikan sisäläpimita	mm	22	22	16
Max. laikan paksuus				
hiomalaikkoja	mm	6	6	6
katkaisulaikkoja	mm	3,5	3,5	3,5
Karan koko	M14	M14	M14	M10
Paino	kg	2,1	2,1	2,1

		KG915 TYPE 2	KG925 TYPE 2
Jännite	V _{AC}	230	230
Ottoteho	W	900	900
Kuormittamaton nopeus	min ⁻¹	10.000	10.000
Laikan halkaisija	mm	115	125
Laikan sisäläpimita	mm	22	22
Max. laikan paksuus			
hiomalaikkoja	mm	6	6
katkaisulaikkoja	mm	3,5	3,5
Karan koko	M14	M14	M14
Paino	kg	2,1	2,1

Äänenpainetaso mitattu EN 60745-standardin mukaisesti:

Äänenpaine (L_{pa}) 91 dB(A), epävarmuus (K) 3 dB(A)

Akustinen teho (L_{WA}) 102 dB(A), epävarmuus (K) 3 dB(A)

Tärinän kokonaisarvot (kolmiaks. vektorisumma) EN 60745:n mukaisesti:

Pinnan hiominen (a_{h,AG}) 7 m/s², epävarmuus (K) 1,5 m/s²

Leikkaus (a_v) 2,5 m/s², epävarmuus (K) 1,5 m/s²

EU-vaatimustenmukaisuusvakuutus

KONEDIREKTIIVI



AST15/KG725/KG900/KG915/KG925

Black & Decker julistaa, että kohdassa "tekniset tiedot" kuvatut tuotteet noudattavat seuraavia:

98/37/EY (28 Jouluk., 2009 asti), 2006/42/EY
(29 Jouluk., 2009 alkaen), EN 60745-1, EN 60745-2-3

Lisätietoja saa Black & Decker -yhtiöltä seuraavasta osoitteesta tai käyttöoppaan takana olevia yhteistietoja käyttäen.

Allekirjoittava henkilö on vastuussa teknisen tiedoston täyttämisestä ja tekee tämän ilmoituksen Black & Decker -yhtiön puolesta.

Kevin Hewitt

Vice-President Global Engineering
Black & Decker Europe, 210 Bath Road, Slough,
Berkshire, SL1 3YD
Iso-Britannia
30-9-2009

Takuu ei kata vikoja, jotka johtuvat koneen

- ◆ normaalista kulumisesta
- ◆ ylikuormituksesta, virheellisestä käytöstä tai hoidosta
- ◆ vahingoittamisesta vieraalla esineellä tai aineella tai onnettomuustapauksessa.

Takuu ei ole voimassa, mikäli konetta on korjannut joku muu kuin Black & Deckerin valtuuttama huoltoliike.

Edellytyksenä takuun saamiselle on, että ostaja jättää koneen ja ostokuitin jälleenmyyjälle tai valtuutetulle huoltoliikkeelle viimeistään 2 kuukauden kuluessa vian ilmenemisestä.

Tiedot valtuutetuista huoltoliikkeistä saa ottamalla yhteyttä Black & Decker Oy:hyn sekä internetistä osoitteesta www.2helpU.com, jossa on myös takuehdot.

Voit vierailla verkkosivullamme www.blackanddecker.fi rekisteröidäksesi uuden Black & Decker-tuotteesi ja saadaksesi tietoa uusista tuotteista ja erikoistarjouksista. Saat lisätietoja Black & Deckerin tavaramerkistä ja tuotevalikoimastamme osoitteesta www.blackanddecker.fi

Korjaukset / varaosat

Mikäli koneeseen tulee vikaa, jätä se aina Black & Deckerin valtuuttamaan huoltoliikkeeseen korjattavaksi. Varaosia myyvät valtuutetut Black & Deckerin huoltoliikkeet, ja heiltä voi myös pyytää kustannusarvion koneen korjauksesta.

Tiedot valtuutetuista huoltoliikkeistä löytyvät internetistä osoitteesta www.2helpU.com sekä kotisivuiltamme www.blackanddecker.fi

Takuu

Black & Decker Oy takaa, ettei koneessa ollut materiaali- ja/tai valmistusvikaa silloin, kun se toimitettiin ostajalle. Takuu on lisäys kuluttajan laillisiin oikeuksiin eikä vaikuta niihin. Takuu on voimassa Euroopan Unionin jäsenmaissa ja Euroopan vapaakauppa-alueella (EFTA).

Mikäli Black & Decker -kone hajoaa materiaali- ja/tai valmistusvirheen tai teknisten tietojen epätarkkuuden vuoksi 24 kk:n kuluessa ostopäivästä, Black & Decker korjaa koneen ilman kustannuksia ostajalle tai vaihtaa sen uuteen Black & Decker Oy:n valinnan mukaan.

Ενδεξιμένη χρήση

Ο γωνιακός τροχός της Black & Decker έχει σχεδιαστεί για την κοπή μετάλλων και λιθοδομών με χρήση του κατάλληλου τύπου δίσκου κοπής ή τροχίσματος. Αυτό το εργαλείο προορίζεται μόνο για ερασιτεχνική χρήση.

Οδηγίες ασφαλείας

Γενικές προειδοποιήσεις ασφαλείας για ηλεκτρικά εργαλεία



Προσοχή! Διαβάστε όλες τις προειδοποιήσεις ασφαλείας και όλες τις οδηγίες. Η μη τήρηση των παρακάτω προειδοποιήσεων και οδηγιών μπορεί να προκαλέσει ηλεκτροπληξία, πυρκαγιά ή/και σοβαρούς τραυματισμούς.

Αποθηκεύστε όλες τις προειδοποιήσεις και οδηγίες για μελλοντική αναφορά. Ο χαρακτηρισμός "ηλεκτρικό εργαλείο" που χρησιμοποιείται στις παρακάτω προειδοποιητικές υποδείξεις αφορά ή το εργαλείο που συνδέεται στην πρίζα (με καλώδιο) ή το εργαλείο που λειτουργεί με μπαταρία (χωρίς καλώδιο).

1. Ασφάλεια χώρου εργασίας

- Διατηρείτε το χώρο που εργάζεστε καθαρό και καλά φωτισμένο.** Η αστάθεια στο χώρο που εργάζεστε και τα σημεία χωρίς καλό φωτισμό μπορεί να οδηγήσουν σε ατυχήματα.
- Μη χρησιμοποιείτε τα ηλεκτρικά εργαλεία σε περιβάλλον όπου υπάρχει κίνδυνος έκρηξης, π.χ. παρουσία εύφλεκτων υγρών, αερίων ή σκόνης.** Τα ηλεκτρικά εργαλεία μπορεί να δημιουργήσουν σπινθηρισμό ο οποίος μπορεί να αναφλέξει τη σκόνη ή τις αναθυμιάσεις.
- Όταν χρησιμοποιείτε το ηλεκτρικό εργαλείο, κρατάτε τα παιδιά και τα υπόλοιπα άτομα μακριά από το χώρο που εργάζεστε.** Σε περίπτωση που άλλα άτομα αποσπάσουν την προσοχή σας μπορεί να χάσετε τον έλεγχο του μηχανήματος.

2. Ασφαλής χρήση του ηλεκτρικού ρεύματος

- Το φως του καλωδίου του ηλεκτρικού εργαλείου πρέπει να ταιριάζει στην αντίστοιχη πρίζα.** Δεν επιτρέπεται με κανένα τρόπο η μετασκευή του φως. Μη χρησιμοποιείτε προσαρμοστικά φως στα γειωμένα ηλεκτρικά εργαλεία. Τα φως που δεν έχουν υποστεί τροποποιήσεις και οι κατάλληλες πρίζες μειώνουν τον κίνδυνο ηλεκτροπληξίας.
- Αποφεύγετε την επαφή του σώματός σας με γειωμένες επιφάνειες όπως σωλήνες, θερμαντικά σώματα (καλοριφέρ), κουζίνες και φυγεία.** Όταν το σώμα σας είναι γειωμένο, αυξάνεται ο κίνδυνος ηλεκτροπληξίας.

- Μην εκθέτετε το ηλεκτρικό εργαλείο στη βροχή ή την υγρασία.** Η διείσδυση νερού στο ηλεκτρικό εργαλείο αυξάνει τον κίνδυνο ηλεκτροπληξίας.
- Μην κακομεταχειρίζεστε το καλώδιο. Μη χρησιμοποιήσετε ποτέ το καλώδιο για να μεταφέρετε, να τραβήξετε ή να αποσυνδέσετε το εργαλείο από την πρίζα.** Κρατάτε το καλώδιο μακριά από υψηλές θερμοκρασίες, λάδια, κοφτερές ακμές ή κινούμενα εξαρτήματα. Τυχόν χαλασμένα ή μπερδεμένα καλώδια αυξάνουν τον κίνδυνο ηλεκτροπληξίας.
- Όταν χρησιμοποιείτε το ηλεκτρικό εργαλείο σε εξωτερικούς χώρους, να χρησιμοποιείτε πάντοτε προεκτάσεις (μπάλαντζες) που έχουν εγκριθεί για χρήση σε εξωτερικούς χώρους.** Η χρήση προεκτάσεων εγκεκριμένων για εργασία σε εξωτερικούς χώρους μειώνει τον κίνδυνο ηλεκτροπληξίας.
- Αν η χρήση του εργαλείου σε μια βρεγμένη περιοχή δεν είναι απόφευκτη, χρησιμοποιήστε μια συσκευή κατάλοιπου ρεύματος (RCD) προστατευόμενης παροχής.** Η χρήση μιας RCD μειώνει τον κίνδυνο ηλεκτροπληξίας.

3. Ασφάλεια προσώπων

- Όταν χρησιμοποιείτε το ηλεκτρικό εργαλείο, να είστε προσεκτικοί, να δίνετε προσοχή στην εργασία που κάνετε και να επιστρατεύετε την κοινή λογική. Μη χρησιμοποιείτε το ηλεκτρικό εργαλείο όταν είστε κουρασμένοι ή όταν βρίσκεστε υπό την επίδραση ναρκωτικών, οινοπνεύματος ή φαρμάκων.** Μια στιγμή απροσεξία κατά το χειρισμό του ηλεκτρικού εργαλείου μπορεί να οδηγήσει σε σοβαρούς τραυματισμούς.
- Χρησιμοποιήστε προσωπικό εξοπλισμό τραυματισμού. Να φοράτε πάντα προστατευτικά γυαλιά.** Ο προστατευτικός εξοπλισμός όπως μάσκα σκόνης, υποδήματα ασφαλείας κατά το γλίστρημα, σκληρό καπέλο, ή προστασία ακοής για τις κατάλληλες συνθήκες θα μειώσουν τους σωματικούς τραυματισμούς.
- Να αποφύγετε την εκκίνηση κατά λάθος. Επιβεβαιωθείτε ότι ο διακόπτης είναι στην θέση off πριν συνδέσετε την παροχή ρεύματος και/ή τη μπαταρία, πριν πάστε ή μεταφέρετε το εργαλείο.** Η μεταφορά εργαλείων με το δάχτυλο στον διακόπτη ή η ενεργοποίηση εργαλείων με τον διακόπτη στη θέση on μπορεί να οδηγήσει σε ατυχήματα.
- Πριν θέσετε το ηλεκτρικό εργαλείο σε λειτουργία, αφαιρέστε τυχόν εργαλεία ή κλειδιά ρύθμισης.** Ενα εργαλείο ή κλειδί συναρμολογημένο στο περιστρεφόμενο εξάρτημα ενός ηλεκτρικού εργαλείου μπορεί να προκαλέσει τραυματισμούς.

- e. Μην τεντώνεστε. Φροντίστε πάντοτε να έχετε την κατάλληλη στάση και να διατηρείτε την ισορροπία σας. Αυτό σας επιτρέπει τον καλύτερο έλεγχο του ηλεκτρικού εργαλείου σε περιπτώσεις απροσδόκητων καταστάσεων.
- f. Φοράτε κατάλληλη ενδυμασία εργασίας. Μη φοράτε φαρδιά ρούχα ή κοσμήματα. Κρατάτε τα μαλλιά, τα ενδύματα και τα γάντια σας μακριά από τα κινούμενα εξαρτήματα. Τα φαρδιά ρούχα, τα κοσμήματα και τα μακριά μαλλιά μπορεί να εμπλακούν στα κινούμενα εξαρτήματα.
- g. Αν προβλέπονται διατάξεις απαγωγής και συλλογής της σκόνης, βεβαιωθείτε ότι είναι συνδεδεμένες και ότι χρησιμοποιούνται σωστά. Η χρήση της συλλογής της σκόνης μπορεί να μειώσει τους κινδύνους σχετικά με τη σκόνη.
4. Χρήση και συντήρηση του ηλεκτρικού εργαλείου
- a. Μην υπερφορτώνετε το ηλεκτρικό εργαλείο. Χρησιμοποιείτε για την εκάστοτε εργασία σας το ηλεκτρικό εργαλείο που προορίζεται γι' αυτήν. Με το κατάλληλο ηλεκτρικό εργαλείο εργάζεσθε καλύτερα και ασφαλέστερα στην ονομαστική περιοχή ισχύος του.
- b. Μη χρησιμοποιήσετε ποτέ ένα ηλεκτρικό εργαλείο του οποίου ο διακόπτης λειτουργίας είναι χαλασμένος. Ένα ηλεκτρικό εργαλείο του οποίου η λειτουργία δεν μπορεί να ελεγχθεί με το διακόπτη είναι επικίνδυνο και πρέπει να επισκευαστεί.
- c. Αποσυνδέστε το βύσμα από τη πυγή ρεύματος και/ή το συγκρότημα μπαταρίας πριν κάνετε κάποια ρύθμιση, αλλάζετε τα αξεσουάρ, ή αποθηκεύετε τα ηλεκτρικά εργαλεία. Αυτά τα προληπτικά μέτρα ασφαλείας μειώνουν τον κίνδυνο να τεθεί το μηχάνημα αθέλητα σε λειτουργία.
- d. Να φυλάτε τα ηλεκτρικά εργαλεία που δεν χρησιμοποιείτε μακριά από παιδιά. Μην αφήνετε άτομα που δεν είναι εξοικειωμένα με το ηλεκτρικό εργαλείο ή που δεν έχουν διαβάσει αυτές τις οδηγίες χρήσης να το χρησιμοποιήσουν. Τα ηλεκτρικά εργαλεία είναι επικίνδυνα όταν χρησιμοποιούνται από άπειρα άτομα.
- e. Να συντηρείτε τα ηλεκτρικά εργαλεία. Ελέγξτε εάν τα κινούμενα μέρη είναι σωστά ευθυγραμμισμένα ή αν έχουν μπλοκάρει, εάν έχουν σπάσει κομμάτια και εάν πληρούνται όλες οι υπόλοιπες συνθήκες που ενδεχομένως να επηρεάσουν τη σωστή λειτουργία του εργαλείου. Δώστε τυχόν χαλασμένα εξαρτήματα του ηλεκτρικού εργαλείου για επισκευή πριν το χρησιμοποιήσετε πάλι. Η ανεπαρκής συντήρηση των ηλεκτρικών εργαλείων αποτελεί αιτία πολλών ατυχημάτων.
- f. Διατηρείτε τα κοπτικά εργαλεία κοφτερά και καθαρά. Τα κοπτικά εργαλεία με αιχμηρά κοπτικά άκρα που συντηρούνται σωστά έχουν λιγότερες πιθανότητες να μπλοκάρουν και ελέγχονται ευκολότερα.
- g. Να χρησιμοποιείτε το ηλεκτρικό εργαλείο, τα εξαρτήματα και τις μύτες κλπ σύμφωνα με αυτές τις οδηγίες, λαμβάνοντας υπόψη τις καταστάσεις εργασίας και την εργασία προς εκτέλεση. Η χρήση του ηλεκτρικού εργαλείου για άλλες εκτός από τις προβλεπόμενες εργασίες μπορεί να δημιουργήσει επικίνδυνες καταστάσεις.
5. Σέρβις
- a. Το σέρβις του ηλεκτρικού σας εργαλείου πρέπει να αναλαμβάνει έμπειρος τεχνικός που θα χρησιμοποιεί μόνο γνήσια ανταλλακτικά. Ετσι εξασφαλίζεται η διατήρηση της ασφάλειας του ηλεκτρικού εργαλείου.

Συμπληρωματικές προειδοποιήσεις ασφαλείας για ηλεκτρικά εργαλεία



Προειδοποίηση! Συμπληρωματικές προειδοποιήσεις ασφαλείας για λειτουργίες τροχίσματος, λείανσης, λείανσης με συρματόβουρτσα, στίλβωματος ή κοπής με λειαντικούς δίσκους.

- ◆ Αυτό το ηλεκτρικό εργαλείο προορίζεται για χρήση ως εργαλείο τροχίσματος, λείανσης, λείανσης με συρματόβουρτσα, στίλβωσης ή κοπής. Διαβάστε όλες τις προειδοποιήσεις ασφαλείας, οδηγίες, εικόνες και προδιαγραφές που παρέχονται με αυτό το ηλεκτρικό εργαλείο. Η μη τήρηση όλων των παρακάτω υποδείξεων μπορεί να προκαλέσει ηλεκτροπληξία, πυρκαγιά ή/και σοβαρούς τραυματισμούς.
- ◆ Οι λειτουργίες για τις οποίες το ηλεκτρικό εργαλείο δεν έχει σχεδιαστεί, μπορούν να προκαλέσουν κίνδυνο και σωματικό τραυματισμό.
- ◆ Μην χρησιμοποιήσετε εξαρτήματα που δεν έχουν σχεδιαστεί ειδικά και που δεν συνιστώνται από τον κατασκευαστή του εργαλείου. Επειδή το εξάρτημα μπορεί να τοποθετηθεί στο ηλεκτρικό εργαλείο σας, δεν αρκεί να παρέχει ασφαλή λειτουργία.
- ◆ Η ονομαστική ταχύτητα εξαρτήματος πρέπει να είναι τουλάχιστον ίδια με τη μέγιστη ταχύτητα που αναγράφεται στο ηλεκτρικό εργαλείο. Τα εξαρτήματα που γυρνάνε πιο γρήγορα από την ονομαστική ταχύτητα τους μπορούν να σπάσουν και τα κομμάτια να πεταχτούν.
- ◆ Η εξωτερική διάμετρος και το πάχος του εξαρτήματος σας πρέπει να είναι εντός της τιμής χωρητικότητας του ηλεκτρικού εργαλείου σας. Τα εξαρτήματα με λανθασμένο μέγεθος δεν μπορούν να προφυλαχτούν ή ελεγχτούν με κατάλληλο τρόπο.

- ♦ Το μέγεθος υποδοχής τροχών, φλαντζών, ενισχυτικών παρεμβυσμάτων ή άλλων εξαρτημάτων πρέπει να ταιριάζει σωστά με τον άξονα του ηλεκτρικού εργαλείου. Τα εξαρτήματα με οπές υποδοχής που δεν ταιριάζουν με το μέρος τοποθέτησης του ηλεκτρικού εργαλείου θα χάσουν την ισορροπία τους, θα έχουν υπερβολικές δονήσεις και μπορεί να προκαλέσουν απώλεια ελέγχου.
- ♦ Μην χρησιμοποιείτε κατεστραμμένα εξαρτήματα. πριν από κάθε χρήση, επιθεωρήστε το εξάρτημα όπως τους λειαντικούς τροχούς για σπασίματα και ρωγμές, το ενισχυτικό παρέμβυσμα για ρωγμές, σχίσιμο ή υπερβολική φθορά, τη συρματόβουρτσα για χαλαρό ή σπασμένο σύρμα. Εάν το ηλεκτρικό εργαλείο ή το εξάρτημα έχει πέσει κάτω, επιθεωρήστε το για καταστροφή ή εγκαταστήστε ένα μη-κατεστραμμένο εξάρτημα. Μετά την επιθεώρηση και την εγκατάσταση ενός εξαρτήματος, χρησιμοποιήστε το ηλεκτρικό εργαλείο σε μέγιστη ταχύτητα χωρίς φορτίο για ένα λεπτό. Τα κατεστραμμένα εξαρτήματα, κανονικά σπάνε κατά τη διάρκεια αυτής της δοκιμής.
- ♦ Να φοράτε προσωπικό εξοπλισμό προστασίας. Αναλόγως την εφαρμογή, χρησιμοποιήστε προστατευτικό πρόσωπο, ματογυάλια ασφαλείας ή προστατευτικά γυαλιά. Όπως χρειαστεί, φορέστε μάσκα σκόνης, προστασία ακοής, γάντια και ποδιά εργασίας που μπορούν να σταματήσουν μικρά τραχιά κομμάτια ή κομμάτια τεμαχίων εργασίας. Η προστασία όρασης πρέπει να μπορεί να σταματάει εκπινασσόμενα κομμάτια που δημιουργούνται από διάφορες λειτουργίες. Η μάσκα σκόνης ή ο αναπνευστήρας πρέπει να μπορούν να φιλτράρουν σωματίδια που δημιουργούνται από τη λειτουργία σας. Η έκθεση διάρκειας σε θόρυβο υψηλής έντασης μπορεί να προκαλέσει απώλεια ακοής.
- ♦ Κρατήστε τους παρευρισκόμενους σε μια ασφαλές απόσταση από την περιοχή εργασίας. Οποιοσδήποτε που μπαίνει σε μια περιοχή εργασίας πρέπει να φοράει προσωπικό εξοπλισμό προστασίας. Κομμάτια τεμαχίων εργασίας ή ενός σπασμένου εξαρτήματος μπορούν να εκτινάσσονται και να προκαλέσουν τραυματισμό και πιο μακριά από την άμεση περιοχή λειτουργίας.
- ♦ Κρατήστε το ηλεκτρικό εργαλείο μόνο από τις μονωμένες επιφάνειές του όταν κατά την εργασία σας υπάρχει κίνδυνος το αξεσουάρ κοπής να "χτυπήσει" ηλεκτρικές γραμμές ή το ηλεκτρικό καλώδιο του ίδιου του εργαλείου. Το αξεσουάρ κοπής σε επαφή με μια υπό τάση ευρισκόμενη ηλεκτρική γραμμή μπορεί να θέτουν επίσης και τα μεταλλικά τμήματα του μηχανήματος υπό τάση κι έτσι μπορεί να οδηγήσει σε ηλεκτροπληξία.

- ♦ Τοποθετήστε το καλώδιο μακριά από το περιστρεφόμενο εξάρτημα. Εάν χάσετε τον έλεγχο, το καλώδιο μπορεί να κοπεί ή μπλεχτεί και το χέρι ή το μπράτσο σας μπορεί να τραβηχτεί στο περιστρεφόμενο εξάρτημα.
- ♦ Μην αφήσετε ποτέ το ηλεκτρικό εργαλείο κάτω μέχρι το εξάρτημα να έχει σταματήσει εντελώς. Το περιστρεφόμενο εξάρτημα μπορεί να πιάσει την επιφάνεια και να τραβήξει το ηλεκτρικό εργαλείο εκτός ελέγχου.
- ♦ Μην χρησιμοποιείτε το ηλεκτρικό εργαλείο ενώ το μεταφέρετε μαζί σας. Η κατά λάθος επαφή με το περιστρεφόμενο εξάρτημα μπορεί να εμπλακεί με τα ρούχα σας, τραβώντας το εξάρτημα προς το σώμα σας.
- ♦ Καθαρίστε τακτικά τις σχισμές εξάερωσης του ηλεκτρικού εργαλείου. Ο ανεμιστήρας του μοτέρ θα τραβήξει τη σκόνη μέσα στο περίβλημα και η υπερβολική συλλογή σκόνης μετάλλου μπορεί να προκαλέσει ηλεκτροπληξία.
- ♦ Μην χρησιμοποιείτε το ηλεκτρικό εργαλείο κοντά σε εύφλετα υλικά. Οι σπινθήρες μπορεί να αναφλέξουν αυτά τα υλικά.
- ♦ Μην χρησιμοποιείτε εξαρτήματα που απαιτούν υγρά ψυκτικά. Η χρήση νερού ή άλλων υγρών ψυκτικών μπορεί να προκαλέσει ηλεκτροπληξία.

Σημείωση: Η πιο πάνω προειδοποίηση δεν εφαρμόζει για ηλεκτρικά εργαλεία που έχουν σχεδιαστεί ειδικά με ένα σύστημα υγρού.

Λάκτισμα και σχετικές προειδοποιήσεις

Το λάκτισμα είναι η απροσδόκητη αντίδραση ενός περιστρεφόμενου τροχού, ενισχυτικού παρεμβύσματος, βούρτσας ή άλλων εξαρτημάτων που έχουν "σκοντάψει" ή μπλοκάρει. Το σκόνταμμα και η εμπλοκή δημιουργούν γρήγορο μπλοκάρισμα του περιστρεφόμενου εξαρτήματος το οποίο στη συνέχεια πιέζει την περιστροφή εξαρτήματος του εκτός ελέγχου ηλεκτρικού εργαλείου στην αντίθετη κατεύθυνση στο σημείο μπλοκαρίσματος.

Για παράδειγμα, αν ένας τραχέος τροχός έχει μπλοκάρει η σκοντάψει από το τεμάχιο εργασίας, η άκρη του τροχού που μπαίνει στο σημείο σκοντάμματος, μπορεί να σφηνώσει στην επιφάνεια του υλικού δημιουργώντας την έξοδο του τροχού ή το κλότσημα. Ο τροχός μπορεί είτε να πηδήξει ή μακριά από τον χειριστή, αναλόγως την κατεύθυνση της κίνησης του τροχού στο σημείο σκοντάμματος. Οι τραχιοί τροχοί μπορεί και να σπάσουν κάτω από αυτές τις συνθήκες.

Το λάκτισμα αποτελεί συνέπεια ενός εσφαλμένου ή ελλιπού χειρισμού του ηλεκτρικού εργαλείου. Μπορεί να αποφευχθεί με κατάλληλα προληπτικά μέτρα, όπως αυτά που περιγράφονται παρακάτω.

- ◆ Κρατήστε καλά το ηλεκτρικό εργαλείο και τοποθετήστε το σώμα και το μπράτσο σας με τέτοιο τρόπο να αντισταθεί σε λακτίσματα. Να χρησιμοποιείτε πάντα βοηθητικές λαβές, εάν υπάρχουν, για μέγιστο έλεγχο στα λακτίσματα ή αντιδράσεις ροπής κατά την εκκίνηση. Ο χειριστής μπορεί να ελέγχει τις αντιδράσεις ροπής ή τις δυνάμεις λακτίσματος, εάν έχουν ληφθεί τα σωστά μέτρα.
- ◆ Μην τοποθετείτε ποτέ τα χέρια σας κοντά στο περιστρεφόμενο εξάρτημα. Το εξάρτημα μπορεί να κλοτσήσει πάνω στο χέρι σας.
- ◆ Μην τοποθετείτε το σώμα σας σε περιοχή όπου το ηλεκτρικό εργαλείο θα μετακινηθεί εάν υπάρχει λάκτισμα. Το λάκτισμα θα ωθήσει το εργαλείο σε αντίθετη κατεύθυνση με την κίνηση τροχού στο σημείο σκοντάμματος.
- ◆ Να προσέχετε ιδιαίτερα κατά την εργασία σε γωνίες, αιχμηρές άκρες κλπ. Να αποφεύγετε τα πηδήματα και την εμπλοκή του εξαρτήματος. Οι γωνίες, οι αιχμηρές άκρες και τα πηδήματα έχουν μια τάση να μπλοκάρουν το περιστρεφόμενο εξάρτημα και να δημιουργήσουν την απώλεια ελέγχου ή το λάκτισμα.
- ◆ Μην τοποθετείτε μια λεπίδα λάζευσης ξύλου αλυσίδας πριονιού ή οδοντωτή πριονολεπίδα. Τέτοιες λεπίδες δημιουργούν τακτικό λάκτισμα και απώλεια ελέγχου.

Πρόσθετες οδηγίες ασφαλείας για λειτουργίες λείανσης και κοπής

Ειδικές προειδοποιήσεις ασφαλείας για λειτουργίες λείανσης και κοπής

- ◆ Χρησιμοποιήστε μόνο τύπους τροχών που συνιστώνται για το ηλεκτρικό εργαλείο σας και τον ειδικό προφυλακτήρα που έχει σχεδιαστεί για τον επιλεγμένο τροχό. Οι τροχοί που δεν έχουν σχεδιαστεί για το ηλεκτρικό εργαλείο δεν μπορούν να φυλαχτούν σωστά και δεν είναι ασφαλείς.
- ◆ Ο προφυλακτήρας πρέπει να έχει τοποθετηθεί σωστά στο ηλεκτρικό εργαλείο και να έχει τοποθετηθεί για μέγιστη ασφάλεια ώστε το μέρος του τροχού προς τον οποίο εκτίθεται ο χειριστής είναι μικρότερο γίνεται. Ο προφυλακτήρας βοηθάει την προστασία του χειριστή από σπασμένα κομμάτια τροχού και τυχαία επαφή με το τροχό.
- ◆ Οι τροχοί πρέπει να χρησιμοποιούνται μόνο για συνιστώμενες εφαρμογές. Για παράδειγμα: μην τροχιζετε με τη πλευρά του τροχού κοπής. Οι τραχιοί τροχοί κοπής προορίζονται για περιφερική λείανση. Η πλευρικές πιέσεις σε αυτούς τους τροχούς μπορεί να προκαλέσει το θρυμματισμό τους.

- ◆ Χρησιμοποιήστε πάντα μη-κατεστραμμένες φλάντζες τροχών σωστού μεγέθους και σχήματος για τον επιλεγμένο τροχό σας. Οι σωστές φλάντζες τροχών σπριζούν το τροχό μειώνοντας έτσι την πιθανότητα θραύσης του τροχού. Οι φλάντζες για δίσκους κοπής μπορεί να διαφέρουν από τις φλάντζες τροχών λείανσης.
- ◆ Μην χρησιμοποιήσετε φθαρμένους τροχούς από μεγαλύτερα εργαλεία. Ο τροχός που προορίζεται για μεγαλύτερο ηλεκτρικό εργαλείο δεν είναι κατάλληλο για τη μεγαλύτερη ταχύτητα ενός μικρότερου ηλεκτρικού εργαλείου και μπορεί να σπάσει.

Συμπληρωματικές προειδοποιήσεις ασφαλείας ειδικά για λειτουργίες κοπής με λειαντικούς τροχούς.

- ◆ Μην μπλοκάρετε τον τροχό κοπής ή εφαρμόσετε υπερβολική πίεση. Μην προσπαθήσετε να κάνετε ένα υπερβολικό βάθος κοπής. Η υπερπίεση τροχού μεγαλώνει το φορτίο και ευαισθησία συστροφής ή εμπλοκής του τροχού στη εγκοπή και τη πιθανότητα λακτίσματος ή θραύσης τροχού.
- ◆ Μην τοποθετείτε το σώμα σας στην ίδια γραμμή και πίσω από το περιστρεφόμενο τροχό. Όταν ο τροχός, στο σημείο λειτουργίας, απομακρύνεται από το σώμα σας, το πιθανό λάκτισμα μπορεί να ωθήσει το περιστρεφόμενο τροχό και το ηλεκτρικό εργαλείο απευθείας επάνω σας.
- ◆ Όταν ο τροχός έχει μπλοκάρει ή όταν διακόπτετε μια εγκοπή για κάποιο λόγο, σβήστε το ηλεκτρικό εργαλείο και κρατήστε το εργαλείο ακίνητο μέχρι να σταματήσει εντελώς. Μην προσπαθήσετε ποτέ να αφαιρέσετε τον τροχό κοπής από την εγκοπή ενώ ο τροχός είναι σε κίνηση, διαφορετικά μπορεί να υπάρχει λάκτισμα. Εξακριβώστε την αιτία του μπλοκαρίσματος του τροχού και εξουδετερώστε την με τα κατάλληλα μέτρα.
- ◆ Μην ξενίσετε τη λειτουργία κοπής στο τεμάχιο εργασίας. Αφήστε το τροχό να φτάσει πλήρη ταχύτητα και προσεκτικά μπείτε ξανά στην εγκοπή. Ο τροχός μπορεί να μπλοκάρει, προχωρήσει ή κλοτσήσει εάν το ηλεκτρικό εργαλείο ενεργοποιείται στο τεμάχιο εργασίας.
- ◆ Σηρήξτε τα πλαίσια ή τα μεγάλα τεμάχια εργασίας για να ελαχιστοποιήσετε τον κίνδυνο σκοντάμματος τροχού και λακτίσματος. Τα μεγάλα τεμάχια εργασίας μπορούν να λυγίσουν από το ίδιο τους το βάρος. Οι στρίβεις πρέπει να τοποθετηθούν κάτω από το τεμάχιο εργασίας κοντά στη γραμμή κοπής και κοντά στην άκρη του τεμαχίου εργασίας και στις δυο πλευρές του τροχού.
- ◆ Προσέχετε ιδιαίτερα όταν διεξάγετε "κοίλη κοπή" σε μη ορατούς τομείς, π. χ. σ' έναν ήδη υπάρχοντα τοίχο. Ο βυθισμένος τροχός μπορεί να κόψει τους σωλήνες αερίου ή νερού, τα ηλεκτρικά καλώδια ή αντικείμενα, πράγμα που μπορεί να δημιουργήσει λάκτισμα.

Συμπληρωματικές προειδοποιήσεις ασφαλείας ειδικά για λειτουργίες λείανσης

- ◆ Μην χρησιμοποιείτε δίσκο γυαλόχαρτο λείανσης υπερβολικοί μεγέθους. Ακολουθήστε τις συστάσεις του κατασκευαστή, όταν διαλέγετε γυαλόχαρτο.

Μεγαλύτερο γυαλόχαρτο που προεξέχει πέρα από το παρέμβυσμα λείανσης παρουσιάζει κίνδυνο κομματίσματος και μπορεί να δημιουργήσει εμπλοκή, σχίσσιμο του δίσκου ή λάκτισμα.

Συμπληρωματικές προειδοποιήσεις ασφαλείας ειδικά για λειτουργίες στίλβωσης

- ◆ Μην επιτρέπετε χαλαρά μέρη του κάλυμμα στίλβωσης ή κλωστών εξαρτημάτων του να περιστρέφονται ελεύθερα. Απομακρύνετε ή κόψτε τις χαλαρές κλωστές του εξάρτημα. Οι χαλαρές και περιστρεφόμενες κλωστές εξαρτήματος μπορεί να πιάσουν τα δάκτυλα σας ή να μπλοκάρουν στο τεμάχιο εργασίας.

Προειδοποιήσεις ασφαλείας ειδικά για λειτουργίες συρματοβουρτσίσματος

- ◆ Προσέξτε γιατί τριχές σύρματος πετάνονται από τη βούρτσα και κατά τη διάρκεια κανονικής λειτουργίας. Μην υπερίπνετε το σύρμα εφαρμόζοντας υπερβολικό φορτίο στη βούρτσα. Οι τριχές σύρματος μπορούν να μπουν εύκολα σε ελαφριά ρούχα και/ή στο δέρμα.
- ◆ Εάν η χρήση ενός προφυλακτήρα συνιστάται για συρματοβούρτσισμα, μην επιτρέπετε παρεμβολές το τροχού σύρματος ή βούρτσας με τον προφυλακτήρα. Ο τροχός ή η βούρτσα σύρματος μπορεί να επεκταθούν σε διάμετρο λόγω του φορτίου εργασίας και των φυγοκεντρικών δυνάμεων.

Ασφάλεια άλλων

- ◆ Αυτή η συσκευή δεν προορίζεται για χρήση από άτομα (συμπεριλαμβανόμενος και τα παιδιά) με ελαττωμένες φυσικές, αισθητήριες και ψυχικές δυνατότητες, ή έλλειψη εμπειρίας και γνώσης, εκτός αν υπάρχει επιτήρηση ή οδηγίες για τη χρήση της συσκευής από έναν υπεύθυνο άτομο για την ασφάλεια τους.
- ◆ Τα παιδιά πρέπει να επιτηρηθούν για να βεβαιωθείτε ότι δεν παίζουν με τη συσκευή.

Δόνηση

Οι δηλωμένες τιμές εκπομπής δόνησης στον τομέα τεχνικών χαρακτηριστικών και στη δήλωση συμμόρφωσης έχουν μετρηθεί σύμφωνα με μια πρότυπη μέθοδος δοκιμής παρεχόμενη από το EN 60745 και μπορεί να χρησιμοποιηθεί για την σύγκριση ενός εργαλείου με ένα άλλο. Η δηλωμένη τιμή εκπομπής δόνησης μπορεί να χρησιμοποιηθεί επίσης σε μια προκαταρκτική εκτίμηση έκθεσης.

Προσοχή! Η τιμή εκπομπής δόνησης κατά τη παρόν χρήση του ηλεκτρικού εργαλείου μπορεί να διαφέρει από τη δηλωμένη τιμή αναλόγως με τον τρόπο που χρησιμοποιείται το εργαλείο. Το επίπεδο δόνησης μπορεί να αυξηθεί πάνω από το δηλωμένο επίπεδο.

Κατά την εκτίμηση έκθεσης στη δόνηση για να αποφασιστούν τα μέτρα ασφαλείας που απαιτούνται από το 2002/44/ΕΚ για την προστασία ατόμων που χρησιμοποιούν τακτικά το εργαλείο, πρέπει να ληφθεί υπόψη μια εκτίμηση έκθεσης δόνησης, οι παρόν καταστάσεις χρήσης και ο τροφός χρήσης εργαλείου, συμπεριλαμβανόμενος όλα τα μερί του κύκλου εργασίας όπως πόσες φορές σβήνεται το εργαλείο και όταν δουλεύει χωρίς φορτίο πρόσθετα πόσες φορές πατιέται η σκανδάλη.

Ετικέτες επάνω στο εργαλείο

Πάνω στο εργαλείο υπάρχουν οι εξής σχηματικές απεικονίσεις:



Προσοχή! Για να μειώσετε τον κίνδυνο τραυματισμού, ο χρήστης πρέπει να διαβάσει το εγχειρίδιο οδηγιών.



Κατά τη χρήση αυτού του εργαλείου, να φοράτε προστατευτικά γυαλιά.



Κατά τη χρήση αυτού του εργαλείου, να φοράτε ωτοασπίδες.

Ασφαλής χρήση του ηλεκτρικού ρεύματος



Αυτό το εργαλείο φέρει διπλή μόνωση, επομένως δεν απαιτείται σύρμα γείωσης. Ελέγχετε πάντοτε αν η τάση τροφοδοσίας αντιστοιχεί σε αυτήν που αναγράφεται στην πινακίδα στοιχείων του εργαλείου.

- ◆ Αν το καλώδιο ρεύματος έχει υποστεί βλάβη, πρέπει να αντικατασταθεί από τον κατασκευαστή ή από εξουσιοδοτημένο Κέντρο Επισκευών Black & Decker ώστε να αποφευχθούν οι κινδύνους.

Χαρακτηριστικά

Το εργαλείο διαθέτει όλα ή ορισμένα από τα εξής χαρακτηριστικά.

1. Διακόπτης on/off
2. Πλευρική χειρολαβή
3. Ασφάλεια απράκτου
4. Προφυλακτήρας

Συναρμολογήση

Προειδοποίηση! Πριν από τη συναρμολόγηση, βεβαιωθείτε ότι το εργαλείο είναι σβηστό και ότι το φως του δεν είναι στην πρίζα.

Τοποθέτηση και αφαίρεση του προστατευτικού κάλυμματος (εικ. A & B)

Το εργαλείο διατίθεται με ένα προφυλακτήρα που προορίζεται μόνο για λείανση. Αν η μονάδα προορίζεται για εργασίες κοπής, πρέπει να εγκατασταθεί ένας ειδικός προφυλακτήρας για αυτή τη χρήση. Ένας κατάλληλος προφυλακτήρας για εργασίες κοπής με αριθμό εξαρτήματος 1004484-00 and 1004484-01 διατίθεται και μπορεί να προμηθευτεί από τα σημεία επισκευής Black & Decker.

Προσαρμογή

- ◆ Τοποθετήστε το εργαλείο πάνω σε ένα τραπέζι, με την άτρακτο (5) προς τα πάνω.
- ◆ Τοποθετήστε τη ροδέλα γκρόβερ (6) στην άτρακτο και τοποθετήστε τη στο έρεισμα (7).
- ◆ Τοποθετήστε τον προφυλακτήρα (4) στο εργαλείο, όπως φαίνεται στην εικόνα.
- ◆ Τοποθετήστε τη φλάντζα (8) στην άτρακτο με τις προεξέχουσες εγκοπές προς το προστατευτικό κάλυμμα. Βεβαιωθείτε ότι οι οπές της φλάντζας είναι ευθυγραμμισμένες με τις οπές στις βίδες.
- ◆ Στερεώστε τη φλάντζα με τις βίδες (9). Βεβαιωθείτε ότι οι βίδες είναι καλά σφικτημένες και ότι το προστατευτικό κάλυμμα μπορεί να περιστραφεί.

Αφαίρεση

- ◆ Χρησιμοποιήστε κασαβίδι για να αφαιρέσετε τις βίδες (9).
- ◆ Αφαιρέστε τη φλάντζα (8), το προστατευτικό κάλυμμα (4) και τη ροδέλα γκρόβερ (7). Φυλάξτε προσεκτικά τα εξαρτήματα που αφαιρέσατε.

Προειδοποίηση! Ποτέ μη χρησιμοποιείτε το εργαλείο χωρίς τον προφυλακτήρα.

Τοποθέτηση της πλευρικής χειρολαβής

- ◆ Βιδώστε την πλευρική λαβή (2) σε μία από τις οπές τοποθέτησης του εργαλείου.

Προειδοποίηση! Να χρησιμοποιείτε πάντα την πλευρική λαβή.

Τοποθέτηση και αφαίρεση δίσκων τροχίσματος ή κοπής (εικ. C - E)

Να χρησιμοποιείτε πάντα τον σωστό τύπο δίσκου για κάθε χρήση. Να χρησιμοποιείτε πάντα δίσκους με τη σωστή διάμετρο και το σωστό μήκος εσωτερικής διαμέτρου (βλ. τα τεχνικά δεδομένα).

Προσαρμογή

- ◆ Τοποθετήστε το προστατευτικό κάλυμμα όπως περιγράφεται παραπάνω.
- ◆ Τοποθετήστε την εσωτερική φλάντζα (10) στην άτρακτο (5) όπως φαίνεται (εικ. C). Βεβαιωθείτε ότι η φλάντζα είναι σωστά τοποθετημένη στις επίπεδες πλευρές της ατράκτου.

- ◆ Τοποθετήστε τον δίσκο (11) στην άτρακτο (5) όπως φαίνεται (εικ. C) Αν ο δίσκος προεξέχει στη μέση (12), βεβαιωθείτε ότι το υπερυψωμένο σημείο βρίσκεται απέναντι από την εσωτερική φλάντζα.
- ◆ Βεβαιωθείτε ότι ο δίσκος τοποθετείται σωστά πάνω στην εσωτερική φλάντζα.
- ◆ Τοποθετήστε την εξωτερική φλάντζα (13) πάνω στην άτρακτο. Κατά την τοποθέτηση ενός δίσκου τροχίσματος, το υπερυψωμένο σημείο του κέντρου στην εξωτερική φλάντζα πρέπει να βρίσκεται απέναντι από τον δίσκο (A στην εικ. D). Κατά την τοποθέτηση ενός δίσκου κοπής, το υπερυψωμένο σημείο του κέντρου στην εξωτερική φλάντζα πρέπει να βρίσκεται μακριά από τον δίσκο (B στην εικ. D).
- ◆ Κρατήστε πατημένη την ασφάλεια της ατράκτου (3) και σφίξτε την εξωτερική φλάντζα με το κλειδί δύο πείρων (14) (εικ. E).

Αφαίρεση

- ◆ Κρατήστε πατημένη την ασφάλεια της ατράκτου (3) και χαλαρώστε την εξωτερική φλάντζα (13) με το κλειδί δύο πείρων (14) (εικ. E).
- ◆ Αφαιρέστε την εξωτερική φλάντζα (13) και τον δίσκο (11).

Τοποθέτηση και αφαίρεση δίσκων λείανσης (εικ. E & F)

Σε περιπτώσεις λείανσης απαιτείται ελαστικό παρέμβυσμα. Το ελαστικό παρέμβυσμα διατίθεται στις αντιπροσωπίες της Black & Decker ως ξεχωριστό εξάρτημα.

Προσαρμογή

- ◆ Τοποθετήστε την εσωτερική φλάντζα (10) στην άτρακτο (5) όπως φαίνεται στην εικ. F. Βεβαιωθείτε ότι η φλάντζα είναι σωστά τοποθετημένη στις επίπεδες πλευρές της ατράκτου.
- ◆ Τοποθετήστε το ελαστικό παρέμβυσμα (15) πάνω στην άτρακτο.
- ◆ Τοποθετήστε τον δίσκο λείανσης (16) στο ελαστικό παρέμβυσμα.
- ◆ Τοποθετήστε την εξωτερική φλάντζα (13) πάνω στην άτρακτο με το υπερυψωμένο σημείο στραμμένο μακριά από τον δίσκο.
- ◆ Κρατήστε πατημένη την ασφάλεια της ατράκτου (3) και σφίξτε την εξωτερική φλάντζα με το κλειδί δύο πείρων (14) (εικ. E). Βεβαιωθείτε ότι έχει τοποθετηθεί σωστά η εξωτερική φλάντζα και ότι ο δίσκος είναι γερά στερεωμένος.

Αφαίρεση

- ◆ Κρατήστε πατημένη την ασφάλεια της ατράκτου (3) και χαλαρώστε την εξωτερική φλάντζα (13) με το κλειδί δύο πείρων (14) (εικ. E).
- ◆ Αφαιρέστε την εξωτερική φλάντζα (13), τον δίσκο λείανσης (16) και το ελαστικό παρέμβυσμα (15).

Χρήση

Προειδοποίηση! Αφήστε το εργαλείο να λειτουργήσει με το δικό του ρυθμό. Μην το υπερφορτώνετε.

- ◆ Τοποθετήστε προσεκτικά το καλώδιο ώστε να μην το κόψετε κατά λάθος.
- ◆ Λάβετε υπόψη ότι θα προκληθούν σπινθήρες όταν ο δίσκος τροχίσματος ή κοπής έρθει σε επαφή με το τεμάχιο εργασίας.
- ◆ Να τοποθετείτε πάντα το εργαλείο με τρόπο ώστε το προστατευτικό κάλυμμα να παρέχει τη βέλτιστη προστασία από τον δίσκο τροχίσματος ή κοπής.

Θέση εντός και εκτός λειτουργίας

- ◆ Για να θέσετε το εργαλείο σε λειτουργία, σύρετε εμπρός το διακόπτη on/off (1). Σας επισημαίνουμε ότι το εργαλείο θα συνεχίσει να είναι σε λειτουργία όταν απελευθερώσετε τον διακόπτη.
- ◆ Για να θέσετε το εργαλείο εκτός λειτουργίας, πατήστε το πίσω τμήμα του διακόπτη on/off.

Προειδοποίηση! Μη σβήνεται το εργαλείο ενώ υφίσταται φόρτιση.

Συμβουλές για άριστη χρήση

- ◆ Κρατήστε γερά το εργαλείο με το ένα χέρι στην πλαϊνή λαβή και το άλλο στην κύρια λαβή.
- ◆ Κατά τη λείανση, να διατηρείτε πάντα μία γωνία 15° περίπου μεταξύ του δίσκου και της επιφάνειας που επεξεργάζεστε.

Συντήρηση

Αυτό το εργαλείο/συσκευή της Black & Decker με καλώδιο/ ασύρματο έχει σχεδιαστεί έτσι ώστε να λειτουργεί για μεγάλο χρονικό διάστημα με την ελάχιστη δυνατή φροντίδα. Η αδιάλειπτη και κανονική λειτουργία του εργαλείου εξαρτάται από τη φροντίδα και τον τακτικό καθαρισμό.

Προειδοποίηση! Πριν εκτελέσετε οποιαδήποτε συντήρηση των ενσύρματων/ασύρματων ηλεκτρικών εργαλείων:

- ◆ Θέστε τη συσκευή/εργαλείο εκτός λειτουργίας και βγάλτε το από την πρίζα.
- ◆ Ή θέστε εκτός λειτουργίας και αφαιρέστε τη μπαταρία από τη συσκευή/εργαλείο εάν η συσκευή/εργαλείο έχει ένα ξεχωριστό συγκρότημα μπαταρίας.
- ◆ Ή αδειάστε εντελώς τη μπαταρία εάν είναι ενσωματωμένη και μετά θέστε εκτός λειτουργίας το μηχάνημα.
- ◆ Βγάλτε τον φορτιστή από την πρίζα πριν τον καθαρίσετε. Ο φορτιστής σας δεν απαιτεί καμία συντήρηση εκτός από τον τακτικό καθαρισμό του.
- ◆ Καθαρίζετε τακτικά τις σπές εξαιρισμού του εργαλείου/ συσκευής σας και του φορτιστή με μαλακή βούρτσα ή με στεγνό πανί.

- ◆ Να καθαρίζετε τακτικά το περιβλήμα του μοτέρ χρησιμοποιώντας ένα υγρό πανί. Μη χρησιμοποιείτε αποξεστικά καθαριστικά ή υγρά καθαρισμού που περιέχουν διαλύτες.
- ◆ Να ανοίγετε τακτικά το τσοκ και να το αδειάζετε, προκειμένου να αφαιρείται η σκόνη από το εσωτερικό του (όταν υπάρχει).

Διάθεση εργαλείων και περιβάλλον



Ξεχωριστή συλλογή. Αυτό το προϊόν δεν πρέπει να απορριφθεί με συνηθισμένα σπιτικά απορρίμματα.

Εάν κάποια μέρα διαπιστώσετε ότι το προϊόν σας Black & Decker χρειάζεται αντικατάσταση ή δεν σας χρησιμεύει πλέον, μην το απορρίψετε με τα σπιτικά απορρίμματα. Κάντε αυτό το προϊόν διαθέσιμο για ξεχωριστή συλλογή.



Η ξεχωριστή συλλογή χρησιμοποιημένων προϊόντων και συσκευασιών επιτρέπει την ανακύκλωση υλικών. Η επανάχρηση ανακυκλωμένων υλικών βοηθάει την προστασία του περιβάλλον και μειώνει την ζήτηση για σπάνια υλικά.

Οι τοπικοί κανονισμοί μπορεί να παρέχουν ξεχωριστή συλλογή ηλεκτρικών προϊόντων από κατοικίες, δημοτικές τοποθεσίες απορριμμάτων ή από τον έμπορα όταν αγοράσατε το καινούργιο προϊόν.

Η Black & Decker δίνει τη δυνατότητα συλλογής και ανακύκλωσης των προϊόντων της που έχουν συμπληρώσει τη διάρκεια ζωής τους. Αν θέλετε να χρησιμοποιήσετε την εν λόγω υπηρεσία, επιστρέψτε το προϊόν σας σε οποιοδήποτε εξουσιοδοτημένο κέντρο επισκευών, όπου θα το παραλάβουν εκ μέρους σας.

Ενημερωθείτε για το πλησιέστερο κέντρο επισκευών της περιοχής σας, επικοινωνώντας με τα γραφεία της Black & Decker στη διεύθυνση που αναγράφεται στο εγχειρίδιο. Επίσης, για να πληροφορηθείτε τα εξουσιοδοτημένα κέντρα επισκευών της Black & Decker και τις λεπτομέρειες και τους αρμόδιους των υπηρεσιών που παρέχονται μετά την πώληση, μπορείτε να ανατρέξετε στο Διαδίκτυο στη διεύθυνση: www.2helpU.com

Τεχνικά χαρακτηριστικά

		AST15 TYPE 2	KG725 TYPE 2	KG900 TYPE 2
Τάση	V_{AC}	230	230	230
Ισχύς εισόδου	W	900	701	900
Ταχύτητα άφορτου κίνησης	min^{-1}	10.000	10.000	10.000
Διάμετρος δίσκου	mm	115	125	100
Εσωτερική διάμετρος δίσκου	mm	22	22	16
Μέγιστο πάχος δίσκου				
δίσκοι τροχίσματος	mm	6	6	6
δίσκοι κοπής	mm	3,5	3,5	3,5
Μέγεθος ατράκτου		M14	M14	M10
Βάρος	kg	2,1	2,1	2,1

		KG915 TYPE 2	KG925 TYPE 2
Τάση	V_{AC}	230	230
Ισχύς εισόδου	W	900	900
Ταχύτητα άφορτου κίνησης	min^{-1}	10.000	10.000
Διάμετρος δίσκου	mm	115	125
Εσωτερική διάμετρος δίσκου	mm	22	22
Μέγιστο πάχος δίσκου			
δίσκοι τροχίσματος	mm	6	6
δίσκοι κοπής	mm	3,5	3,5
Μέγεθος ατράκτου		M14	M14
Βάρος	kg	2,1	2,1

Στάθμη πίεσης ήχου σύμφωνα με το πρότυπο EN 60745:

Πίεση ήχου (L_{pA}) 91 dB(A), αβεβαιότητα (K) 3 dB(A)Ακουστική ισχύς (L_{WA}) 102 dB(A), αβεβαιότητα (K) 3 dB(A)

Τιμές συνολικής δόνησης (άθροισμα τριαξονικών ανυσμάτων) αποφασισμένο σύμφωνα με EN 60745:

Λείανση επιφάνειας (a_{hAG}) 7 m/s^2 , αβεβαιότητα (K) 1,5 m/s^2 Κοπή (a_h) 2,5 m/s^2 , αβεβαιότητα (K) 1,5 m/s^2

Δήλωση συμμόρφωσης με την Ευρωπαϊκή Κοινότητα

ΟΔΗΓΙΑ ΠΕΡΙ ΜΗΧΑΝΗΜΑΤΩΝ



AST15/KG725/KG900/KG915/KG925

Η Black & Decker δηλώνει ότι αυτά τα προϊόντα που περιγράφονται στον τομέα "τεχνικά χαρακτηριστικά" είναι σε συμμόρφωση με:

98/37/EK (μέχρι 28 Δεκ. 2009), 2006/42/EK
(από 29 Δεκ. 2009), EN 60745-1, EN 60745-2-3

Για περισσότερες πληροφορίες, επικοινωνήστε με τη Black & Decker στη διεύθυνση που ακολουθεί ή στο πίσω μέρος του εγχειριδίου.

Ο υπογεγραμμένος είναι υπεύθυνος για τη σύνταξη του τεχνικού αρχείου και κάνει την παρών δήλωση εκ μέρους της Black & Decker.

Kevin Hewitt

Vice-President Global Engineering
Black & Decker Europe, 210 Bath Road, Slough,
Berkshire, SL1 3YD
Ηνωμένο Βασίλειο
30-9-2009

Εγγύηση

Η Black & Decker είναι σίγουρη για την ποιότητα των προϊόντων της και παρέχει σημαντική εγγύηση. Η παρούσα γραπτή εγγύηση αποτελεί πρόσθετο δικαίωμά σας και δεν ζημιώνει τα συνταγματικά σας δικαιώματα. Η εγγύηση ισχύει εντός της επικράτειας των Κρατών Μελών της Ευρωπαϊκής Ένωσης και της Ευρωπαϊκής Ζώνης Ελευθέρων Συναλλαγών.

Σε περίπτωση που κάποιο προϊόν της Black & Decker παρουσιάσει βλάβη εξαιτίας ελαττωματικών υλικών, ποιότητας εργασίας ή έλλειψης συμφωνίας με τις προδιαγραφές εντός 24 μηνών από την ημερομηνία αγοράς, η Black & Decker εγγυάται την αντικατάσταση των ελαττωματικών τμημάτων, την επισκευή προϊόντων που έχουν υποστεί εύλογη φθορά λόγω χρήσης ή την αντικατάσταση των προϊόντων προκειμένου να εξασφαλίσει την ελάχιστη ενόχληση στους πελάτες της, εκτός αν:

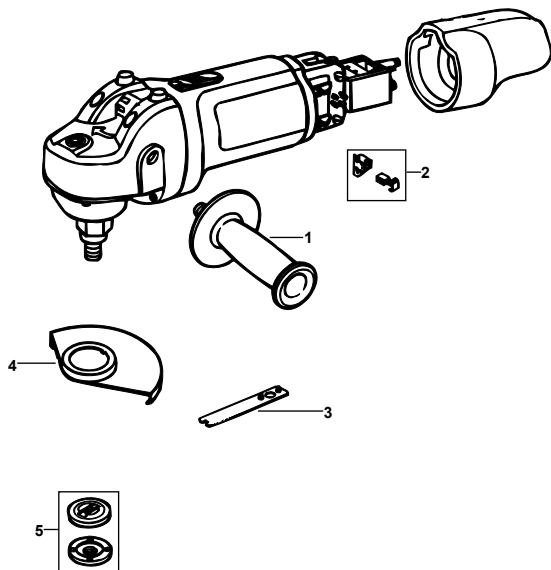
- ◆ Το προϊόν έχει χρησιμοποιηθεί σε εργασιακό, επαγγελματικό περιβάλλον ή αν έχει ενοικιαστεί
- ◆ Έχει γίνει εσφαλμένη χρήση του προϊόντος ή αν έχει παραμεληθεί
- ◆ Το προϊόν έχει υποστεί βλάβη από άλλα αντικείμενα, από ουσίες ή λόγω ατυχήματος

- ◆ Έχει γίνει προσπάθεια επισκευής από μη εξουσιοδοτημένα κέντρα επισκευών ή από προσωπικό που δεν ανήκει στο προσωπικό της Black & Decker

Για να ισχύσει η εγγύηση, πρέπει να υποβάλετε απόδειξη αγοράς στον πωλητή ή το εξουσιοδοτημένο κέντρο επισκευών. Ενημερωθείτε για το πλησιέστερο κέντρο επισκευών της περιοχής σας, επικοινωνώντας με τα γραφεία της Black & Decker στη διεύθυνση που αναγράφεται στο εγχειρίδιο. Επίσης, για να πληροφορηθείτε για τα εξουσιοδοτημένα κέντρα επισκευών της Black & Decker, τις λεπτομέρειες και τους αρμόδιους των υπηρεσιών που παρέχονται μετά την πώληση, μπορείτε να ανατρέξετε στο Διαδίκτυο στη διεύθυνση: **www.2helpU.com**

Παρακαλούμε να επισκεφτείτε την ιστοσελίδα μας **www.blackanddecker.eu** για να καταχωρήσετε το νέο σας προϊόν Black & Decker και για να ενημερώνεστε για τα νέα προϊόντα και τις ειδικές προσφορές.

Περισσότερες πληροφορίες σχετικά με τη μάρκα Black & Decker και τη σειρά προϊόντων μας θα βρείτε στη διεύθυνση **www.blackanddecker.eu**



ENGLISH

Do not forget to register your product!

www.blackanddecker.co.uk/productregistration

Register your product online at www.blackanddecker.co.uk/productregistration or send your name, surname and product code to Black & Decker in your country.

DEUTSCH

Vergessen Sie nicht, Ihr Produkt registrieren zu lassen!

www.blackanddecker.de/productregistration

Lassen Sie Ihr Produkt unter www.blackanddecker.de/productregistration online registrieren oder schicken Sie Ihren Nachnamen, Vornamen und den Produktcode an Black & Decker in Ihrem Land.

FRANÇAIS

N'oubliez pas d'enregistrer votre produit !

www.blackanddecker.fr/productregistration

Enregistrez votre produit en ligne sur www.blackanddecker.fr/productregistration ou envoyez vos nom, prénom et code produit à Black & Decker dans votre pays.

ITALIANO

Non dimenticate di registrare il prodotto!

www.blackanddecker.it/productregistration

Registrate il prodotto online su www.blackanddecker.it/productregistration o inviate nome, cognome e codice del prodotto al centro Black & Decker del vostro paese.

NEDERLANDS

Vergeet niet uw product te registreren!

www.blackanddecker.nl/productregistration

U kunt uw product online registreren op www.blackanddecker.nl/productregistration of u kunt uw voornaam, achternaam en productcode opsturen naar Black & Decker in uw land.

ESPAÑOL

¡No olvide registrar su producto!

www.blackanddecker.es/productregistration

Registre su producto on-line en www.blackanddecker.es/productregistration o envíe su nombre, apellidos y código de producto a Black & Decker en su país.

PORTUGUÊS

Não se esqueça de registar o seu produto!

www.blackanddecker.pt/productregistration

Registe o seu produto online em www.blackanddecker.pt/productregistration ou envie o seu nome, apelido e código do produto para a Black & Decker no seu país.

SVENSKA

Glöm inte att registrera produkten!

www.blackanddecker.se/productregistration

Registrera produkten online på www.blackanddecker.se/productregistration eller skicka namn och produktkod till Black & Decker i landet du bor i.

NORSK

Ikke glem å registrere produktet ditt!

www.blackanddecker.no/productregistration

Registrer produktet ditt online på www.blackanddecker.no/productregistration, eller send ditt navn, etternavn og produktkode til Black & Decker i ditt eget land.

DANSK

Glem ikke at registrere dit produkt!

www.blackanddecker.dk/productregistration

Registrer dit produkt på internettet på: www.blackanddecker.dk/productregistration eller send dit navn, efternavn og produktkode til Black & Decker i dit eget land.

SUOMI

Muistathan rekisteröidä tuotteesi!

www.blackanddecker.fi/productregistration

Rekisteröi tuotteesi verkossa osoitteessa www.blackanddecker.fi/productregistration tai läheta etunimesi, sukunimesi ja tuotekoodi oman maasi Black & Decker -edustajalle.

ΕΛΛΗΝΙΚΑ

Μην ξεχάσετε να καταχωρίσετε το προϊόν σας!

www.blackanddecker.gr/productregistration

Καταχωρίστε το προϊόν σας σε σύνδεση στη σελίδα www.blackanddecker.gr/productregistration ή στείλτε το όνομα, επίθετο σας και τον κωδικό προιωντός στη Black & Decker στη χώρα σας.

België/Belgique	Black & Decker (Belgium) N.V. Nieuwlandlaan 7 I.Z. Aarschot B156 3200 Aarschot	Tel. Fax	016 68 91 00 016 68 91 11
Danmark	Black & Decker Sluseholmen 2-4, 2450 København SV Internet: www.blackanddecker.dk	Tel. Fax	70 20 15 10 70 22 49 10
Deutschland	Black & Decker GmbH Black & Decker Str. 40, D - 65510 Idstein	Tel. Fax	06126/21 - 0 06126/21 29 80
Ελλάδα	Black & Decker (Ελλάς) Α.Ε. Σπύρβωνος 7 & Λεωφ. Βουλιαγμένης 159 166 74 Γλυφάδα - Αθήνα	Τηλ. Φαξ www.blackanddecker.eu	210 8981616 210 8983285
España	Black & Decker Ibérica, S.C.A. Parc de Negocis "Mas Blau" Edificio Muntadas, c/Bergadá, 1, Of. A6 08820 El Prat de Llobregat (Barcelona)	Tel. Fax	934 797 400 934 797 419
France	Black & Decker (France) S.A.S. 5 allée des Hêtres B.P. 30084 69579 Limonest Cédex	Tel. Fax	04 72 20 39 20 04 72 20 39 00
Helvetia	ROFO AG Gewerbezone Seeblick 3213 Kleinbödingen	Tel. Fax	026-6749391 026-6749394
Italia	Black & Decker Italia SpA Viale Elvezia 2 20052 Monza (MI)	Tel. Fax Numero verde	039-23871 039-2387592/2387594 800-213935
Nederland	Black & Decker Benelux Joulehof 12, 4622 RG Bergen op Zoom	Tel. Fax	0164 - 283000 0164 - 283100
Norge	Black & Decker (Norge) A/S Postboks 4814, Nydalen, 0422 Oslo Internet: www.blackanddecker.no	Tlf. Fax	22 90 99 00 22 90 99 01
Österreich	Black & Decker Vertriebsges.m.b.H Oberlaaerstraße 246, A1100 Wien	Tel. Fax	01 66116-0 01 66116-14
Portugal	Black & Decker Rua Egas Moniz 173 S. João do Estoril 2766-651 Estoril	Tel. Fax	214667500 214667580
Suomi	Black & Decker Oy Keilasatama 3, 02150 Espoo Black & Decker Oy, Kägelhamnen 3, 02150 Esbo	Puh. Faksi Tel. Fax	010 400 430 (09) 2510 7100 010 400 430 (09) 2510 7100
Sverige	Black & Decker AB Box 94, 431 22 Mölndal	Tel. Fax	031-68 60 60 031-68 60 80
United Kingdom	Black & Decker 210 Bath Road Slough, Berkshire SL1 3YD	Tel. Fax Helpline	01753 511234 01753 551155 01753 574277
Middle East & Africa	Black & Decker (Overseas) A.G. PB 5420, Dubai, United Arab Emirates	Tel. Fax	+971 4 2826464 +971 4 2826466