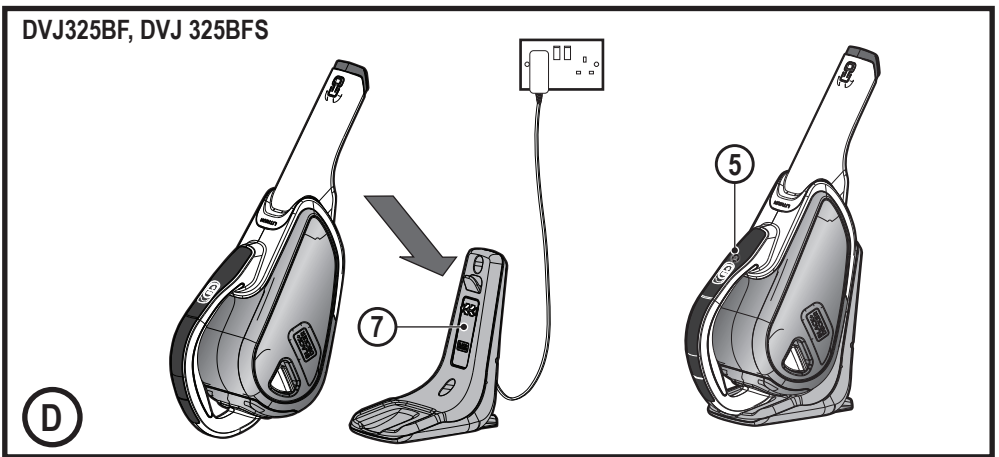
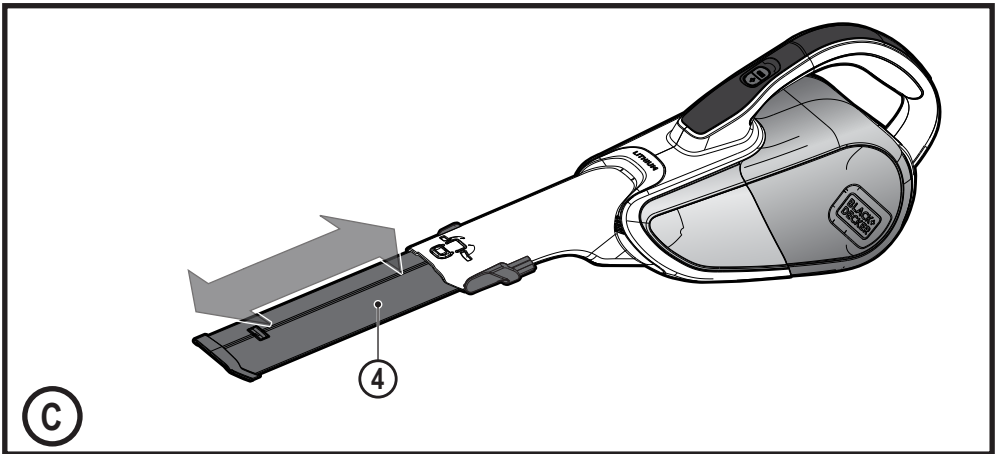
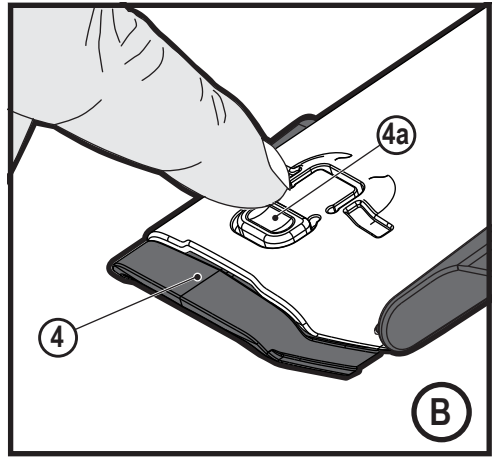
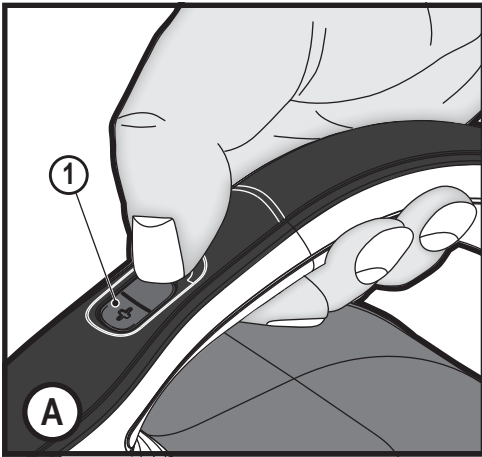
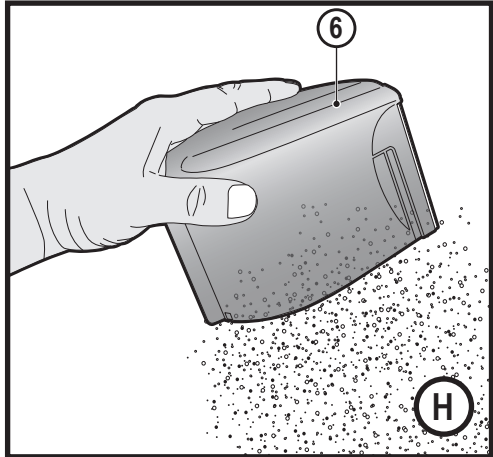
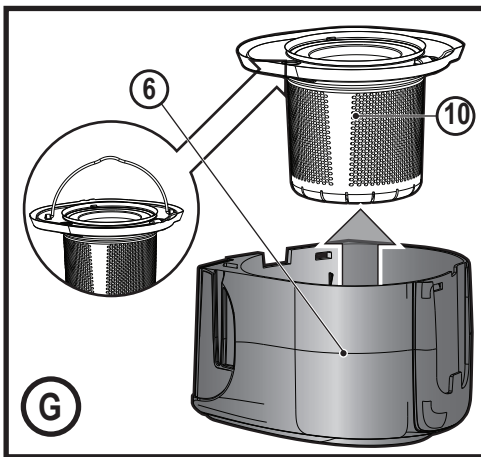
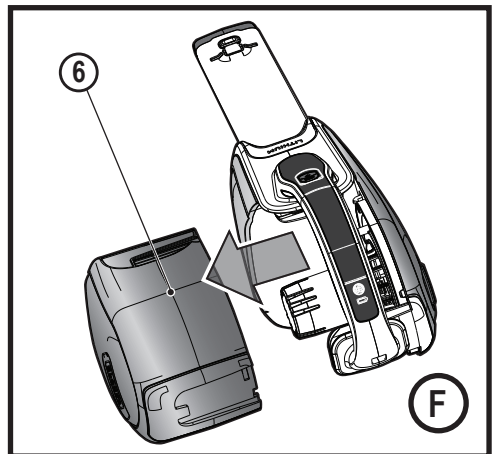
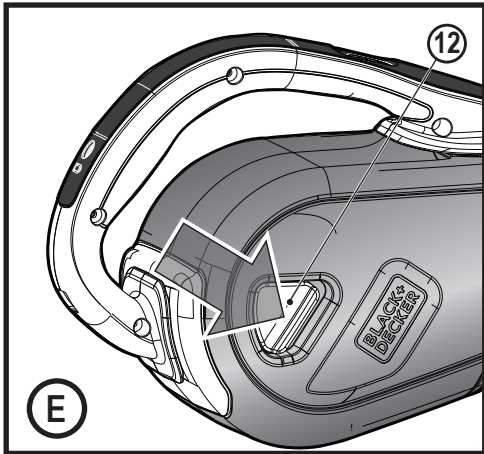
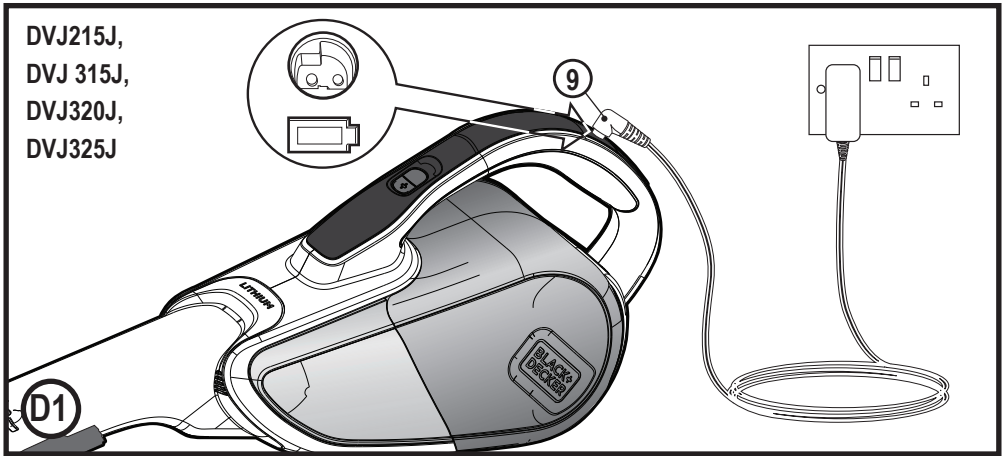
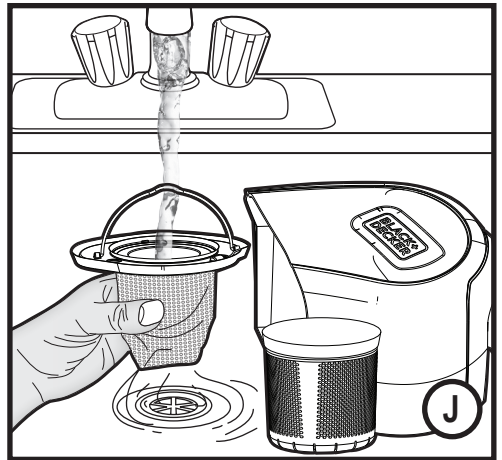
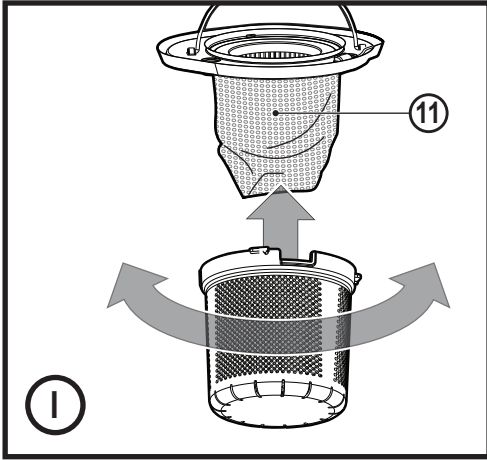


www.blackanddecker.com.au
www.blackanddecker.co.nz

DVJ215J
DVJ315J
DVJ320J
DVJ325J
DVJ325BF
DVJ325BFS







Intended use

Your BLACK+DECKER DVJ215J, DVJ315J, DVJ320J, DVJ325J, DVJ325BF and DVJ325BFS Dustbuster® hand-held vacuum cleaners have been designed for vacuum cleaning purposes. These appliances are intended for household use only.



Read all of this manual carefully before operating the appliance.

Safety instructions



Warning! Read all safety warnings and all instructions.

Failure to follow the warnings and instructions listed below may result in electric shock, fire and/or serious injury.

- ◆ The intended use is described in this manual. The use of any accessory or attachment or the performance of any operation with this appliance other than those recommended in this instruction manual may present a risk of personal injury.
- ◆ Retain this manual for future reference.

Using your appliance

- ◆ Do not use the appliance to pick up liquids or any materials that could catch fire.
- ◆ Do not use the appliance near water.
- ◆ Do not immerse the appliance in water.
- ◆ Never pull the charger lead to disconnect the charger from the socket. Keep the charger lead away from heat, oil and sharp edges.
- ◆ This appliance can be used by children aged from 8 years and above and persons with reduced physical, sensory or mental capabilities or lack of experience and knowledge if they have been given supervision

or instruction concerning use of the appliance in a safe way and understand the hazards involved. Children shall not play with the appliance. Cleaning and user maintenance shall not be made by children without supervision.

Inspection and repairs

Before use, check the appliance for damaged or defective parts. Check for breakage of parts, damage to switches and any other conditions that may affect its operation.

- ◆ Do not use the appliance if any part is damaged or defective.
- ◆ Have any damaged or defective parts repaired or replaced by an authorized repair agent.
- ◆ Regularly check the charger lead for damage. Replace the charger if the lead is damaged or defective.
- ◆ Never attempt to remove or replace any parts other than those specified in this manual.

Additional safety instructions

After use

- ◆ Unplug the charger before cleaning the charger or charging base.
- ◆ When not in use, the appliance should be stored in a dry place.
- ◆ Children should not have access to stored appliances.

Residual risks

Additional residual risks may arise when using the tool which may not be included in the enclosed safety warnings. These risks can arise from misuse, prolonged use etc.

Even with the application of the relevant safety regulations and the implementation of safety devices, certain residual risks can not be avoided. These include:

- ◆ Injuries caused by touching any rotating/moving parts.
- ◆ Injuries caused when changing any parts, blades or accessories.
- ◆ Injuries caused by prolonged use of a tool. When using any tool for prolonged periods ensure you take regular breaks.
- ◆ Impairment of hearing.
- ◆ Health hazards caused by breathing dust developed when using your tool (example:- working with wood, especially oak, beech and MDF.)

Chargers

Your charger has been designed for a specific voltage. Always check that the mains voltage corresponds to the voltage on the rating plate.

Warning! Never attempt to replace the charger unit with a regular mains plug.

- ◆ Use your BLACK+DECKER charger only to charge the battery in the appliance with which it was supplied. Other batteries could burst, causing personal injury and damage.
- ◆ Never attempt to charge non-rechargeable batteries.
- ◆ If the supply cord is damaged, it must be replaced by the manufacturer or an authorised BLACK+DECKER Service Centre in order to avoid a hazard.
- ◆ Do not expose the charger to water.
- ◆ Do not open the charger.
- ◆ Do not probe the charger.
- ◆ The appliance/battery must be placed in a well ventilated area when charging.

Electrical safety

Symbols on the charger



Read all of this manual carefully before using the appliance.



This tool is double insulated; therefore no earth wire is required. Always check that the power supply corresponds to the voltage on the rating plate.



Short circuit proof safety isolating transformer. The mains supply is electrically separated from the transformer output.



The charger automatically shuts off if the ambient temperature becomes too high. As a consequence the charger will be inoperable. The charging base must be disconnected from the mains supply and taken to an authorised service centre for repair.



The charging base is intended for indoor use only.

Labels on appliance

The following symbols appear on this appliance along with the date code



Read all of this manual carefully before using the appliance



Only use with charger S010Q 14

Features

This tool includes some or all of the following features.

1. On/off power switch
2. Handle
3. Nozzle
4. Pull out crevice tool
5. LED charging indicator
6. Dust bowl
7. Charging base
8. Flip down brush
9. Charger

Use

Switching on and off (Fig. A)

- ◆ Press the button to turn, on the unit operates in slow speed, low power mode, conserving the battery life.
- ◆ Press the button again, and the unit goes to a BOOST mode.
- ◆ Pressing the button again will turn the product off.

Using the pull out crevice tool (Fig. B,C)

- ◆ Extend the crevice tool (4) as shown in figure C, until it clicks in place.
- ◆ To retract the crevice tool (4) press the crevice tool release button (4a) allowing it to return to its normal position (Fig. B).

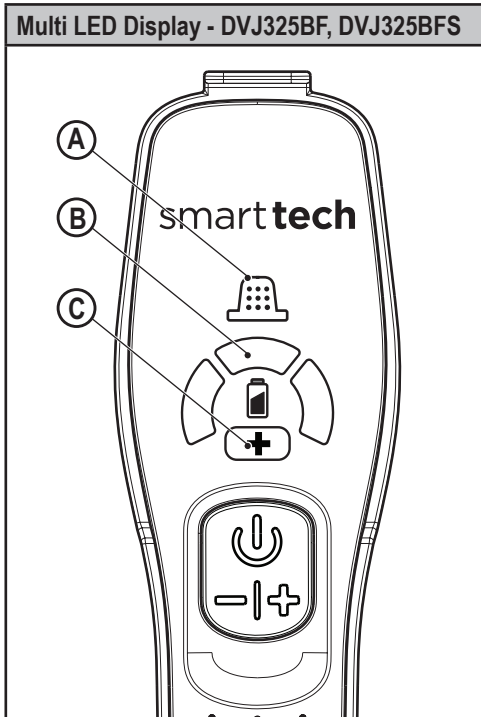
Note: The flip down brush (8) can only be utilized when the crevice tool is in the retracted position.

Charging DVJ325BF, DVJ325BFS (Fig. D)

- ◆ Place the appliance onto the charging base (7) and plug into the electrical outlet.
- ◆ Switch the electrical outlet on. The LED charging indicator (B) will illuminate.

Charging DVJ215J, DVJ315J, DVJ320J, DVJ325J (Fig. D1)

- ◆ Place the charger (9) into the charging port at the rear of the handle (2) and plug into the electrical outlet.
- ◆ Switch the electrical outlet on. The LED charging indicator (B) will illuminate.



A. Filter sensor

Whenever a filter is Blocked and needs cleaning, the red filter LED (A) in the handle will illuminate.

Clean fine dust from filter (See section on 'cleaning filters' in this manual).

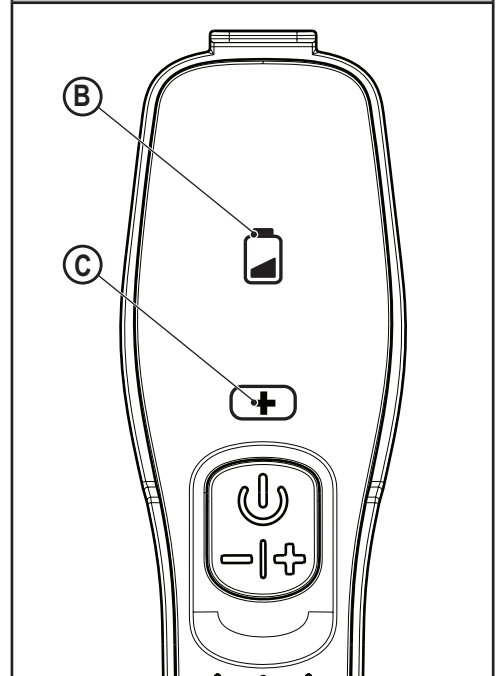
B. LED Charging display

The charging display LED (B) will illuminate when the unit is charging and will indicate (flash) when further charging is required.

C. BOOST mode

LED (C) Illuminates when the appliance is in BOOST mode.

Dual LED Display - DVJ215J, DVJ 315J, DVJ320J, DVJ325J







B. LED Charging display

Battery icon will flash when battery is almost depleted. It will also flash during charging (See LED pattern chart in this manual).

C. BOOST mode

Illuminates when the appliance is in BOOST mode.

LED Patterns	
	Charging
	Battery Fault
	Charger Fault
	Battery Hot

Cleaning the filters (Fig. E, F, G, H, I, J)

- ◆ Press the dust bowl release button (12) (Fig. E)
- ◆ Eject the dust bowl (6) (Fig.F)
- ◆ Lift the filter assembly (10) using the metal handle provided from the dust bowl (6)

Note: On unit DVJ325BFS the pre filter is impregnated with a fragrance allowing for a pleasing odour to be released when the appliance is in use.

- ◆ Empty the dust bowl (6) by lightly shaking over a dustbin (Fig. H).
- ◆ The filter (11) can now be removed from the filter assembly (10)
DVJ215J, DVJ315J, DVJ320J, DVJ325J (Fig.11).
DVJ325BF, DVJ325BFS (Fig. I).
- ◆ Empty any remaining dust from the dust bowl.
- ◆ Rinse out the dust-bowl with warm soapy water.
- ◆ Wash the filters with warm soapy water (Fig. J).
- ◆ Make sure the filters are dry
- ◆ Refit the filters into the appliance.
- ◆ Close the dust-bowl. Make sure the release latch (8) clicks into place.

Warning! Before performing any maintenance or cleaning on the appliance, unplug the appliance.

From time to time wipe the appliance with a damp cloth. Do not use any abrasive or solvent-based cleaner. Do not immerse the appliance in water

Maintenance

Your BLACK+DECKER cordless appliance has been designed to operate over a long period of time with a minimum of maintenance. Continuous satisfactory operation depends upon proper tool care and regular cleaning.

Warning! Before performing any maintenance on cordless appliances:

- ◆ Run the battery down completely if it is integral and then switch off.
- ◆ Unplug the charger before cleaning it. Your charger does not require any maintenance apart from regular cleaning.
- ◆ Regularly clean the ventilation slots in your appliance/charger using a soft brush or dry cloth.
- ◆ Regularly clean the motor housing using a damp cloth. Do not use any abrasive or solvent-based cleaner.

Replacing the filters

The filters should be replaced every 6 to 9 months and whenever worn or damaged.

Replacement filters are available from your BLACK+DECKER dealer (cat. noVBF10).

There are also pre-scented filters available to be purchased (cat. no: VSPF10LC). These fit all units. When these filters reach the end of their lifespan they must be disposed of at a local recycling centre.

Warning!



Cotton linen fragrance.

Wash face, hands and any exposed skin thoroughly after handling. Wear protective gloves/protective clothing/eye protection/face protection. If in eyes: Rinse cautiously with water for several minutes. Remove contact lenses if present and easy to do. Continue rinsing. If skin irritation occurs: Get medical advice/attention. Avoid release into the environment. Do not ingest.

- ◆ Remove the old filters as described above.
- ◆ Fit the new filters as described above.

Protecting the environment



Separate collection. Products and batteries marked with this symbol must not be disposed of with normal household waste.

Products and batteries contain materials that can be recovered or recycled reducing the demand for raw materials. Please recycle electrical products and batteries according to local provisions. Further information is available at www.2helpU.com

Technical Data

DVJ215J	
Voltage	7.2V
Current	1.5Ah
Watt Hours	10.8Wh
Weight	1.0Kg

DVJ315J	
Voltage	10.8V
Current	1.5Ah
Watt Hours	16.2.Wh
Weight	1.1Kg

DVJ320J	
Voltage	10.8V
Current	2.0Ah
Watt Hours	21.6Wh
Weight	1.1Kg

DVJ325J,	
Voltage	10.8V
Current	2.5Ah
Watt Hours	27Wh
Weight	1.1Kg

DVJ325BF	
Voltage	10.8V
Current	2.5Ah
Watt Hours	27Wh
Weight	1.1Kg

DVJ325BFS	
Voltage	10.8V
Current	2.5Ah
Watt Hours	27Wh
Weight	1.1Kg

Australia & New Zealand

Stanley Black & Decker

www.blackanddecker.com.au

www.blackanddecker.co.nz

Tel. 1800 338 002 (Aust) or Tel. 0800 339 258 (NZ)

