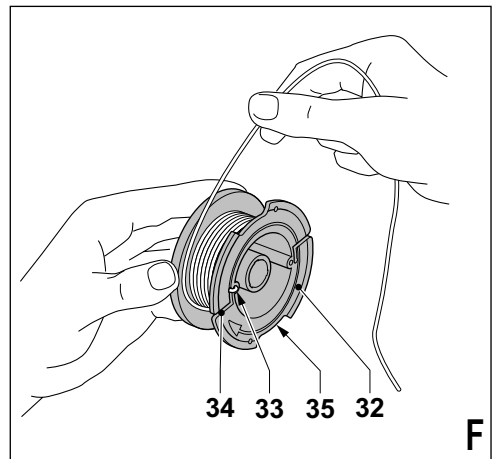
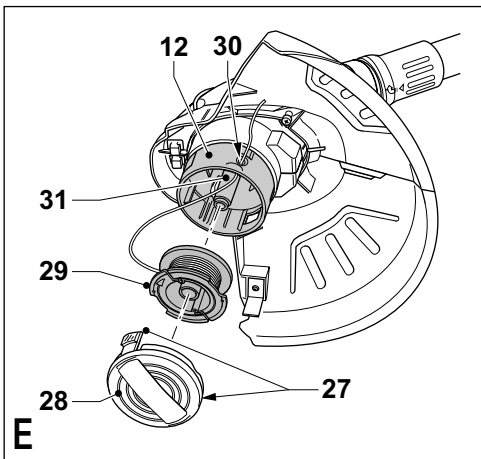
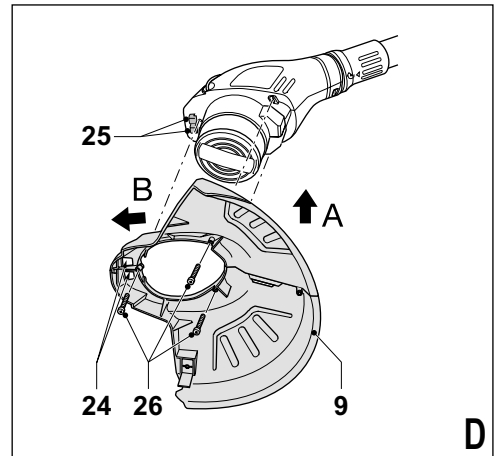
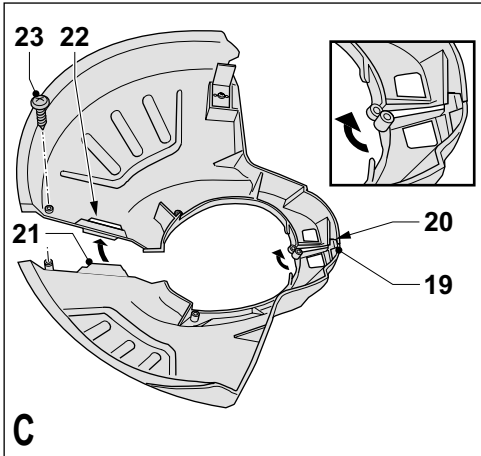
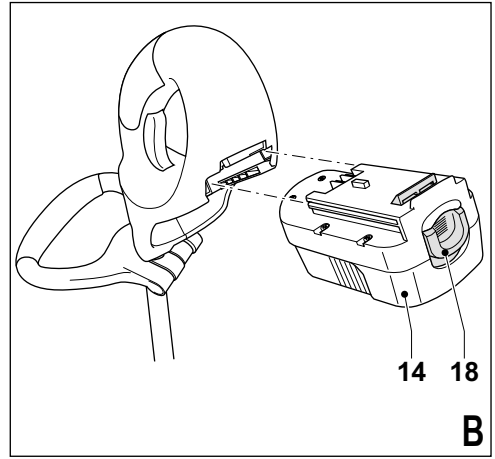
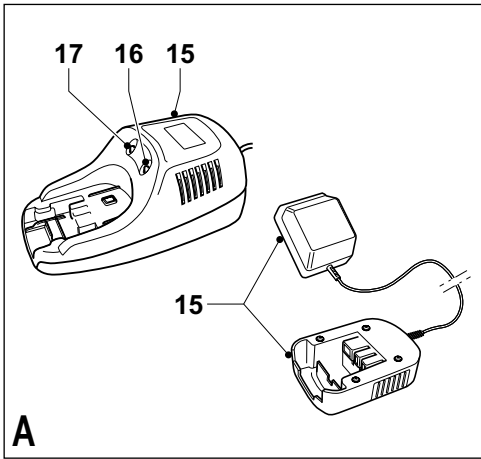


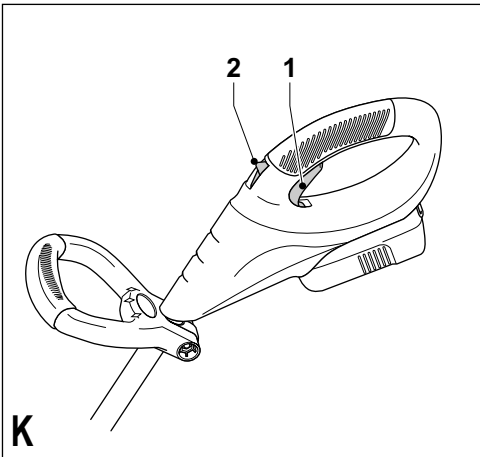
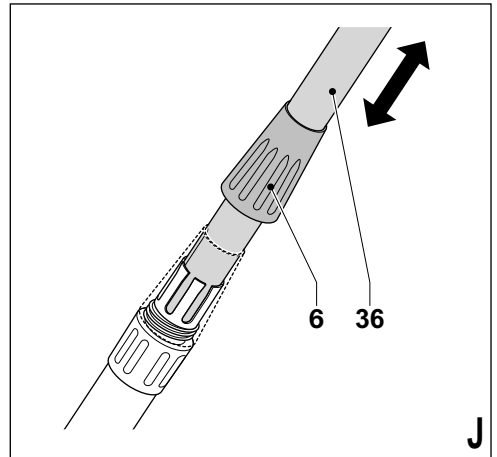
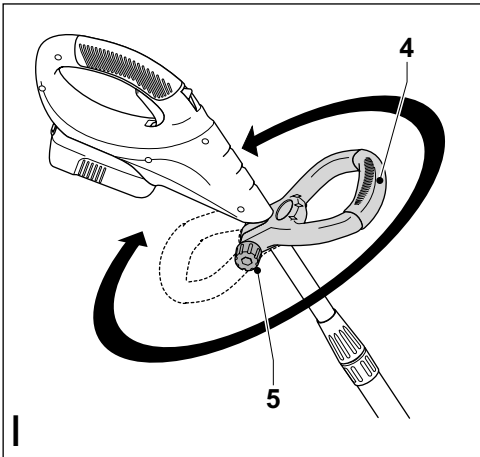
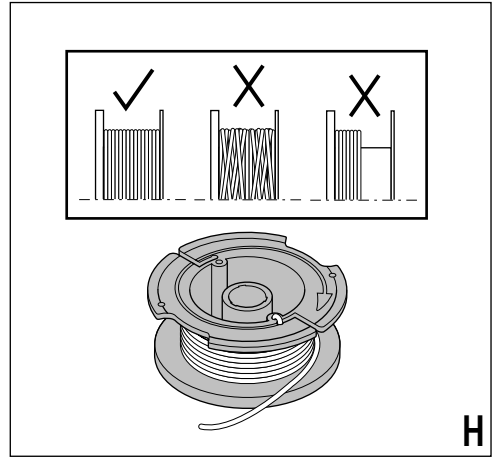
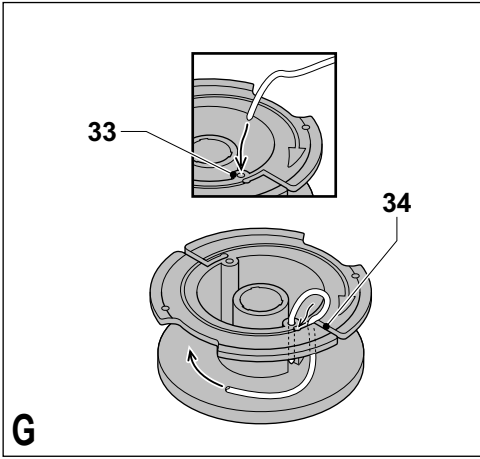
UK

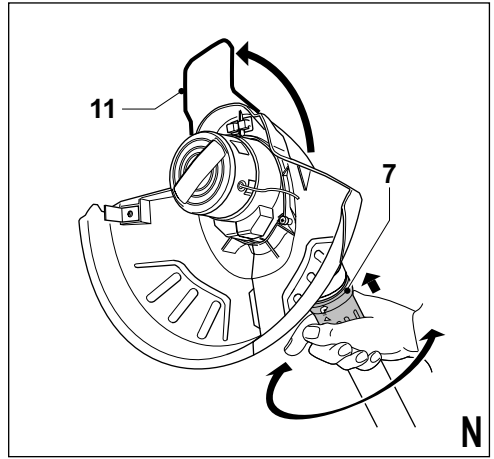
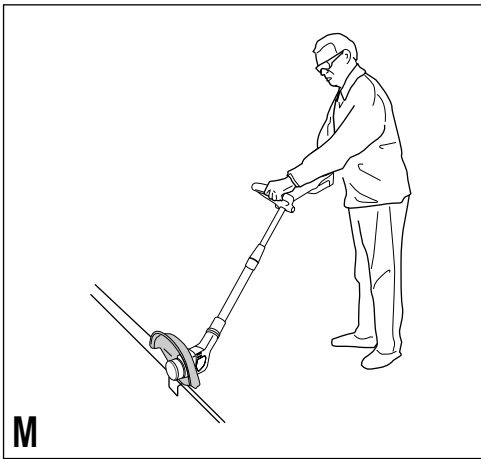
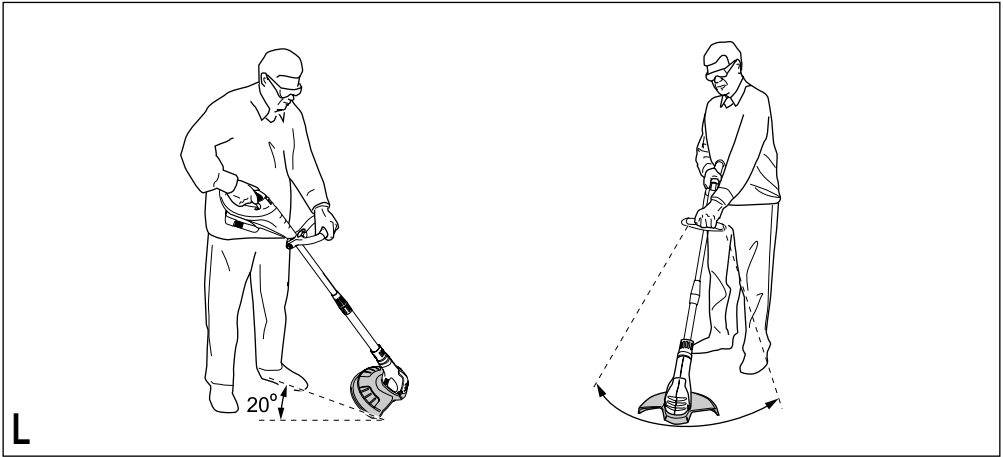
Ireland

Australia

New Zealand







Intended use

Your Black & Decker strimmer has been designed for trimming and finishing lawn edges and to cut grass in confined spaces. This tool is intended for consumer use only.

Your Black & Decker charger has been designed for charging Black & Decker batteries of the type supplied with this tool.

Safety instructions

General



Warning! When using battery-powered tools, basic safety precautions, including the following, should always be followed to reduce the risk of fire, leaking batteries, personal injury and material damage.

- ◆ Read all of this manual carefully before operating the tool.
- ◆ Before operating the tool, make sure that you know how to switch it off in an emergency.
- ◆ The intended use is described in this manual. The use of any accessory or attachment of performance of any operation with this tool other than those recommended in this instruction manual can present a risk of personal injury.
- ◆ Retain this manual for future reference.

Work area

- ◆ Do not expose the tool to rain.
- ◆ Do not use the tool in damp or wet conditions.
- ◆ Only use the tool in daylight or good artificial light.

Personal protection

- ◆ Wear stout shoes or boots to protect your feet.
- ◆ Do not operate the tool wearing open-toed sandals or when barefoot.
- ◆ Wear long trousers to protect your legs.

Using the tool

- ◆ Stay alert. Watch what you are doing. Use common sense.
- ◆ Do not operate the tool when you are tired.
- ◆ If the tool begins to vibrate abnormally, switch it off. Allow rotating parts to stop and inspect the tool for damage and loose parts.

Safety of others

- ◆ Do not allow children or any person unfamiliar with these instructions to operate the appliance.
- ◆ Do not allow children, visitors or animals to come near the work area or to touch the tool.
- ◆ Remember that the operator may be held responsible for accidents or hazards occurring to other people or their property.

This appliance is not intended for use by persons (including children) with reduced physical, sensory or mental capabilities, or lack of experience and knowledge, unless they have been given supervision or instruction concerning use of the appliance by a person responsible for their safety. Children should be supervised to ensure that they do not play with the appliance.

After use

- ◆ Switch off and ensure that moving parts have stopped rotating before leaving the tool unattended and before changing, cleaning or inspecting any parts of the tool.
- ◆ When not in use, the tool should be stored in a dry place. Children should not have access to stored tools.

Inspection and repairs

- ◆ Before use, check the tool for damaged or defective parts. Check for misalignment and seizure of moving parts, breakage or parts, damage to guards and switches and any other conditions that can affect its operation.
- ◆ Do not use the tool if any part is damaged or defective. Do not use the tool if the switch does not turn it on and off.
- ◆ Never use the tool when any guard or enclosure is damaged or not in place.
- ◆ Ensure that the tool operates properly and perform its intended function.
- ◆ Have any damaged or defective parts repaired or replaced by an authorised repair agent.
- ◆ Never attempt to remove or replace any parts other than those specified in this manual.

Additional safety instructions for batteries and chargers

Batteries

- ◆ Never attempt to open for any reason.
- ◆ Do not expose the battery to water.
- ◆ Do not expose the battery to heat.
- ◆ Do not store in locations where the temperature may exceed 40 °C.
- ◆ Charge only at ambient temperatures between 10 °C and 40 °C.
- ◆ Charge only using the charger provided with the tool.
- ◆ When disposing of batteries, follow the instructions given in the section "Protecting the environment".

Warning! The battery fluid, a 25-30% solution of potassium hydroxide, can be harmful. In case of skin contact, immediately rinse with water. Neutralise with a mild acid such as lemon juice or vinegar. In case of eye contact, rinse abundantly with clean water for at least 10 minutes. Consult a physician.

Chargers

- ◆ Use your Black & Decker charger only to charge the battery in the tool with which it was supplied. Other batteries could burst, causing personal injury and damage.
- ◆ Never attempt to charge non-rechargeable batteries.
- ◆ Have defective cords replaced immediately.
- ◆ Do not expose the charger to water.
- ◆ Do not open the charger.
- ◆ Do not probe the charger.

The following symbols are found on your charger:



Your charger is double insulated; therefore no earth wire is required. Always check that the mains voltage corresponds to the voltage on the rating plate. Never attempt to replace the charger unit with a regular mains plug.



The charger is intended for indoor use only.



Read the instruction manual before use.



Charge only at ambient temperatures between 10 °C and 40 °C.

Additional safety instructions for grass trimmers

The following warning symbols are found on the tool:



Wear safety glasses or goggles when operating this tool.



Warning! The cutting line will continue to run for a few seconds after switching the tool off. Never attempt to force the line to come to a standstill.



Keep people and animals at least 6 m away from the cutting area.



Do not expose the tool to rain or high humidity.

- ◆ Be familiar with the control and the proper use of the tool.
- ◆ Only use the tool in daylight of good artificial light.
- ◆ Wear stout shoes or boots to protect your feet.
- ◆ Wear long trousers to protect your legs.
- ◆ Before using the tool, check that your cutting path is free from sticks, stones, wire and any other obstacles.
- ◆ Only use the tool in the upright position, with the cutting line near the ground. Never switch the tool on in any other position.

- ◆ Move slowly when using the tool. Be aware that freshly cut grass is damp and slippery.
- ◆ Do not work on steep slopes. Work across the face of slopes, not up and down.
- ◆ Never cross gravel paths or roads while the tool is running.
- ◆ Never touch the cutting line while the tool is running.
- ◆ Do not put the tool down until the cutting line has come to a complete standstill.
- ◆ Use only the appropriate type of cutting line. Never use metal cutting line or fishing line.
- ◆ Be careful not to touch the line trimming blade.
- ◆ Keep hands and feet away from the cutting line at all times, especially when switching on the tool.



Warning! The cutting elements continue to rotate after the tool is switched off.

- ◆ Never operate the tool with damaged guards or without guards in place.
- ◆ Always ensure that the ventilation slots are kept clear of debris.

Electrical safety



Your charger is double insulated; therefore no earth wire is required. Always check that the mains voltage corresponds to the voltage on the rating plate. Never attempt to replace the charger unit with a regular mains plug.

Features

1. On/off switch
2. Lock-off button
3. Main handle
4. Secondary handle
5. Handle knob
6. Handle adjustment collar
7. Mode adjustment collar
8. Motor housing
9. Guard
10. Line trimming blade
11. Edge guide
12. Spool housing
13. Cutting line
14. Battery

Fig. A

15. Charger
16. Charging indicator
17. End of charge indicator

Assembly

Warning! Before assembly, remove the battery from the tool.

Fitting and removing the battery (fig. B)

- ◆ To fit the battery (14), line it up with the receptacle on the tool. Slide the battery into the receptacle and push until the battery snaps into place.
- ◆ To remove the battery, push the release button (18) while at the same time pulling the battery out of the receptacle.

Assembling the guard (fig. C)

- ◆ Place the pin (19) of the guard into the hole (20).
- ◆ Place the tongue (21) into the slot (22) until it locks into place.
- ◆ Fit the screw (23) and tighten the screw.

Fitting the guard (fig. D)

Warning! Never operate the tool with damaged guards or shields or without guards or shield in place.

- ◆ Place the guard (9) onto the tool as shown, aligning the holes (24) with the lugs (25) on the tool.
- ◆ Press the guard until it snaps into place (A).
- ◆ Push the guard forward (B).
- ◆ Securely tighten the screws (26).

Warning! Never use the tool unless the guard is properly fitted.

Fitting a new spool of cutting line (fig. E)

Replacement spools of cutting line are available from your Black & Decker dealer (cat. no. A6481).

- ◆ Keep the tabs (27) on the spool cover (28) depressed and remove the spool cover from the housing (12).
- ◆ Remove the empty spool (29) from the housing.
- ◆ Remove any dirt and grass from the housing.
- ◆ Take the new spool and unwind approx. 12 cm of cutting line.
- ◆ Feed the cutting line through the eyelet (30).
- ◆ Push the spool onto the drive shaft (31) and rotate it slightly until it is seated. Make sure that the cutting line is not trapped under the spool and that 10-12 cm of cutting line protrudes from the housing.
- ◆ Align the tabs on the spool cover with the holes in the housing.
- ◆ Push the cover onto the housing until it snaps into place.

Warning! If the cutting line protrudes beyond the trimming blade (10), cut it off so that it just reaches the blade.

Winding new line onto an empty spool (fig. F - H)

You may wind new cutting line onto an empty spool.

Replacement packs of cutting line are available from your Black & Decker dealer (cat. no. A6170 (25 m), A6171 (40 m)).

- ◆ Remove the empty spool from the tool as described above.
- ◆ Remove any old cutting line from the spool (32) (fig. F).

- ◆ Feed 2 cm of cutting line into one of the holes (33) in the spool as shown (fig. G).
- ◆ Bend the cutting line and anchor it in the L-shaped slot (34).
- ◆ Wind the cutting line onto the spool in the direction of the arrow. Make sure to wind the line on neatly and in layers. Do not criss-cross (fig. H).
- ◆ When the wound cutting line reaches the recesses (35), cut the line. Let the line protrude approx. 12 cm from the spool and hold a finger on the line to keep it in place (fig. F).
- ◆ Proceed as described above to fit the spool on the tool.

Warning! Only use the appropriate type of Black & Decker cutting line.

Use

Warning! Let the tool work at its own pace. Do not overload.

Charging the battery (fig. A)

The battery needs to be charged before first use and whenever it fails to produce sufficient power on jobs that were easily done before. When charging the battery for the first time, or after prolonged storage, it will only accept an 80% charge. After several charge and discharge cycles, the battery will attain full capacity. The battery may become warm while charging; this is normal and does not indicate a problem.

Warning! Do not charge the battery at ambient temperatures below 4 °C or above 40 °C. Recommended charging temperature: approx. 24 °C.

- ◆ To charge the battery (14), remove it from the tool and insert it into the charger (15). The battery will only fit into the charger in one way. Do not force. Be sure that the battery is fully seated in the charger.
- ◆ Plug in the charger.

8 hour charger

The battery will be fully charged in approx. 8 hours. Avoid leaving the battery in the charger for more than 24 hours. If the battery is left for long periods of time, fully charge the battery periodically. Uncharged batteries left for long periods will lose capacity and will not perform optimally.

Hint: Charge the battery overnight. Discharge the battery (using the tool) for the first six charges to ensure maximum performance of the battery.

Adjusting the position of the secondary handle (fig. I)

The secondary handle (4) can be adjusted to provide optimum balance and comfort.

- ◆ Let the guard (9) rest on the ground.
- ◆ Slacken the handle knob (5).
- ◆ Move the handle into the desired position.
- ◆ Securely tighten the handle knob.

Adjusting the height (fig. J)

The telescopic shaft (36) allows you to set the tool to a comfortable height.

- ◆ Loosen the collar (6).
- ◆ To increase the height, slide the shaft out.
- ◆ To reduce the height, slide the shaft in.
- ◆ Tighten the collar.

Switching on and off (fig. K)

For your safety, this tool is equipped with a double switching system. This system prevents starting the tool inadvertently.

Switching on

- ◆ Push the lock-off button (2) backward using your thumb and at the same time squeeze the on/off switch (1).
- ◆ Release the lock-off button.

Switching off

- ◆ Release the on/off switch (1).

Warning! Never attempt to lock a switch in the on position.

Setting the tool to trimming or edging mode (fig. L - N)

The tool can be used in trimming mode as shown in fig. L or in edging mode to trim overhanging grass along lawn edges and flower beds as shown in fig. M.

Trimming mode (fig. L & N)

For trimming, the trimmer head should be in the position shown in fig. L. If it is not:

- ◆ While holding the secondary handle with one hand, take the collar (7) in the other hand as shown (fig. L).
- ◆ Push the collar in the direction of the trimmer head and rotate it counterclockwise until the trimmer head engages in the trimming position (fig. N).
- ◆ Release the collar.
- ◆ Set the edge guide (11) to the retracted position.

Edging mode (fig. M & N)

For edging, the trimmer head should be in the position shown in fig. M. If it is not:

- ◆ While holding the secondary handle with one hand, take the collar (7) in the other hand as shown (fig. M).
- ◆ Push the collar in the direction of the trimmer head and rotate it clockwise until the trimmer head engages in the edging position (fig. N).
- ◆ Release the collar.
- ◆ Set the edge guide (11) to the retracted position.

Hints for optimum use (fig. L)

Trimming

- ◆ Hold the tool as shown in fig. L.

- ◆ Gently swing the trimmer from side to side as shown in fig. L.
- ◆ When cutting long grass, work in stages from the top.
- ◆ Keep the tool away from hard objects and delicate plants.
- ◆ If the tool starts running slowly, reduce the load.

Edging

Optimum cutting results are achieved on edges deeper than 50 mm.

- ◆ Do not use the tool to create edges. To create edges, use an edging spade.
- ◆ Guide the tool as shown in fig. L. Keep the edge guide against the lawn edge.
- ◆ To make a closer cut, slightly tilt the tool.

General

- ◆ In order to achieve optimum results, only cut dry grass.
- ◆ If possible, keep the battery connected to the charger and the charger plugged in whenever the tool is not in use.

Maintenance

Your Black & Decker tool has been designed to operate over a long period of time with a minimum of maintenance.

Continuous satisfactory operation depends upon proper tool care and regular cleaning.

Your charger does not require any maintenance apart from regular cleaning.

Warning! Before performing any maintenance on the tool, remove the battery from the tool. Unplug the charger before cleaning it.

- ◆ After use disconnect the battery and check the tool for any damage.
- ◆ Regularly clean the ventilation slots in your tool and charger using a soft brush or dry cloth.
- ◆ Regularly clean the motor housing using a damp cloth. Do not use any abrasive or solvent-based cleaner.
- ◆ Regularly clean the cutting line and spool using a soft brush or dry cloth.
- ◆ Regularly use a blunt scraper to remove grass and dirt from the underneath of the guard.

Storage

When the tool will not be used for several months, ideally leave the battery connected to the charger. Otherwise proceed as follows:

- ◆ Fully charge the battery.
- ◆ Remove the battery from the tool.
- ◆ Store the tool and battery in a secure and dry location. The storage temperature must always remain in the range of +5 °C to +40 °C. Place the battery on a level surface.
- ◆ Before using the tool after prolonged storage, fully charge the battery again.

Troubleshooting

If your tool seems not to operate properly, follow the instructions below. If this does not solve the problem, please contact your local Black & Decker repair agent.

Warning! Before proceeding, remove the battery from the tool.

Tool runs slowly

- ◆ Check that the spool housing can rotate freely. Carefully clean it if necessary.
- ◆ Check that the cutting line does not protrude more than 10-12 cm from the spool housing. If it does, cut it off so that it just reaches the line trimming blade.

Automatic line feed does not work

- ◆ Keep the tabs depressed and remove the spool cover from the housing.
- ◆ Lift the spool approx. 6 mm and pull the cutting line until it protrudes 10-12 cm from the housing. If insufficient cutting line is left on the spool, install a new spool of cutting line as instructed above.
- ◆ Push the spool back into place and rotate it slightly until it is seated.
- ◆ Align the tabs on the spool cover with the holes in the housing.
- ◆ Push the cover onto the housing until it snaps securely into place.
- ◆ If the cutting line protrudes beyond the trimming blade, cut it off so that it just reaches the blade.

If the automatic line feed still does not work, try the following suggestions:

- ◆ Carefully clean the spool housing.
- ◆ Remove the spool and check if the lever can move freely.
- ◆ Remove the spool and unwind the cutting line, then wind it on neatly again as described above. Replace the spool as instructed.

Spool is jammed

- ◆ Keep the tabs depressed and remove the spool cover from the housing.
- ◆ Carefully clean the spool housing.
- ◆ Push the cover onto the housing until it snaps securely into place.

Protecting the environment



Separate collection. This product must not be disposed of with normal household waste.

Should you find one day that your Black & Decker product needs replacement, or if it is of no further use to you, do not dispose of it with household waste. Make this product available for separate collection.



Separate collection of used products and packaging allows materials to be recycled and used again. Re-use of recycled materials helps prevent environmental pollution and reduces the demand for raw materials.

Local regulations may provide for separate collection of electrical products from the household, at municipal waste sites or by the retailer when you purchase a new product.

Black & Decker provides a facility for the collection and recycling of Black & Decker products once they have reached the end of their working life. To take advantage of this service please return your product to any authorised repair agent who will collect them on our behalf.

You can check the location of your nearest authorised repair agent by contacting your local Black & Decker office at the address indicated in this manual. Alternatively, a list of authorised Black & Decker repair agents and full details of our after-sales service and contacts are available on the Internet at: www.2helpU.com

Batteries



Black & Decker batteries can be recharged many times. At the end of their useful life, discard batteries with due care for our environment:

- ◆ Run the battery down completely, then remove it from the tool.
- ◆ NiCd, NiMH and Li-Ion batteries are recyclable. Take them to any authorised repair agent or a local recycling station.

Technical data

		GLC2500
Voltage	V _{DC}	18
No-load speed	min ⁻¹	6,800
Weight	kg	3.2

Battery

Voltage	V _{DC}	18
Capacity	Ah	1.5
Weight	kg	0.8

Charger

Input voltage	V _{AC}	230
Approx. charging time	h	8
Weight	kg	0.5

EC declaration of conformity

GLC2500

Black & Decker declares that these products conform to:

2006/95/EC, EN 60335

2000/14/EC, Lawn trimmer, L = 25 cm, Annex VI, No. 499
SNCH, L-5230 Sandweiler, Luxembourg

Level of sound pressure, measured according to

EN ISO 3744:

L_{pA} (sound pressure) 98.6 dB(A)

L_{WA} (acoustic power) 89.6 dB(A)

L_{WA} (guaranteed) 90 dB(A)

Vibration total values (triax vector sum) according to EN 786:

Vibration emission value (a_{hv}) 4 m/s²,

uncertainty (K) 1.5 m/s²

The undersigned is responsible for compilation of the technical file and makes this declaration on behalf of Black & Decker.



Kevin Hewitt

Director of Consumer Engineering
Spennymoor, County Durham DL16 6JG,
United Kingdom
1-9-2008

To claim on the guarantee, you will need to submit proof of purchase to the seller or an authorised repair agent. You can check the location of your nearest authorised repair agent by contacting your local Black & Decker office at the address indicated in this manual. Alternatively, a list of authorised Black & Decker repair agents and full details of our after-sales service and contacts are available on the Internet at: www.2helpU.com

Please visit our website www.blackanddecker.co.uk to register your new Black & Decker product and to be kept up to date on new products and special offers. Further information on the Black & Decker brand and our range of products is available at www.blackanddecker.co.uk

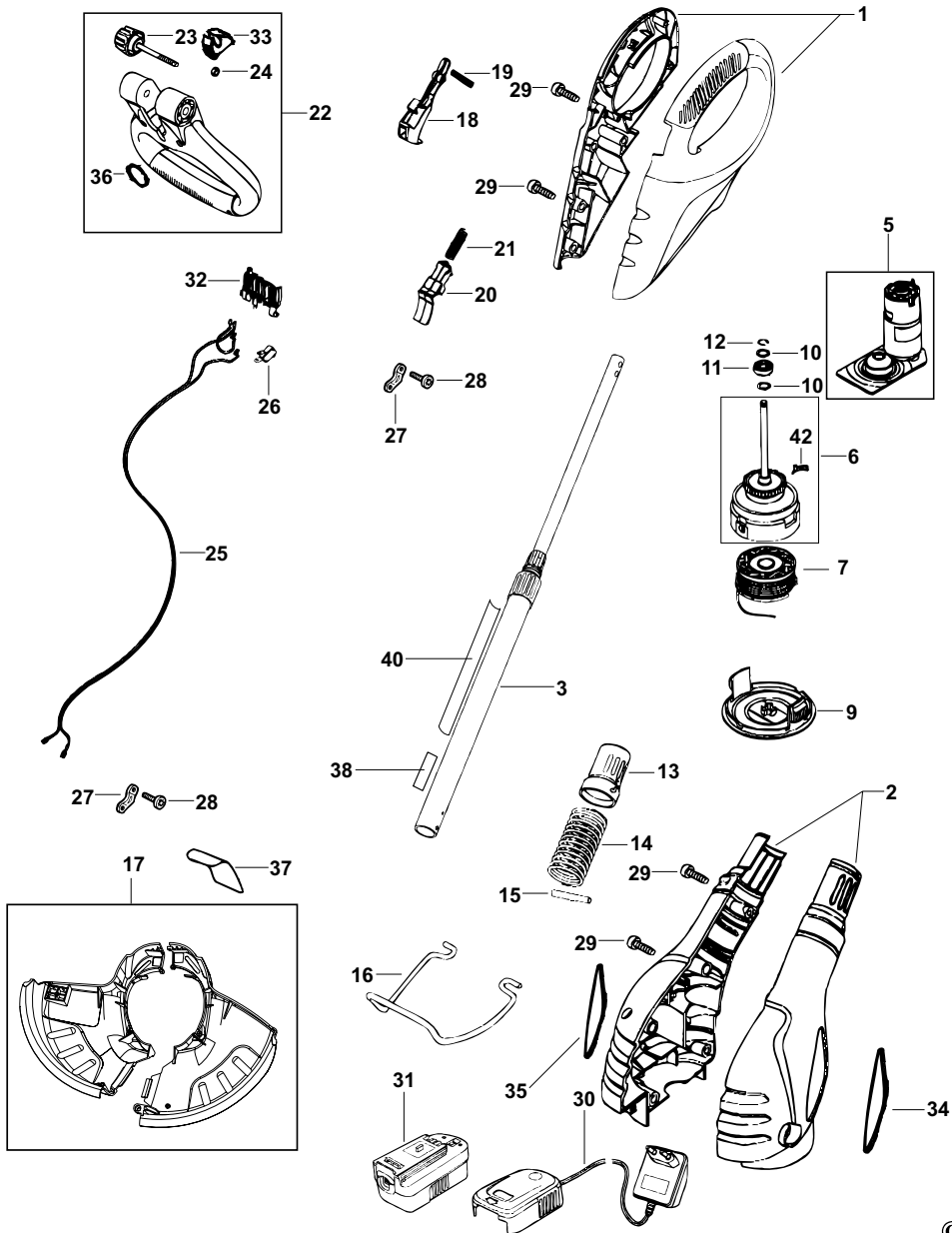
Guarantee

Black & Decker is confident of the quality of its products and offers an outstanding guarantee. This guarantee statement is in addition to and in no way prejudices your statutory rights.

The guarantee is valid within the territories of the Member States of the European Union and the European Free Trade Area.

If a Black & Decker product becomes defective due to faulty materials, workmanship or lack of conformity, within 24 months from the date of purchase, Black & Decker guarantees to replace defective parts, repair products subjected to fair wear and tear or replace such products to ensure minimum inconvenience to the customer unless:

- ◆ The product has been used for trade, professional or hire purposes;
- ◆ The product has been subjected to misuse or neglect;
- ◆ The product has sustained damage through foreign objects, substances or accidents;
- ◆ Repairs have been attempted by persons other than authorised repair agents or Black & Decker service staff.



Australia

Black & Decker (Australia) Pty. Ltd.
20 Fletcher Road, Mooroolbark,
Victoria, 3138

Tel. 03-8720 5100
Fax 03-9727 5940

New Zealand

Black & Decker
5 Te Apunga Place
Mt Wellington
Auckland 1060

Tel. +64 9 259 1133
Fax +64 9 259 1122

United Kingdom

Black & Decker
210 Bath Road
Slough, Berkshire SL1 3YD

Tel. 01753 511234
Fax 01753 551155
Helpline 01753 574277