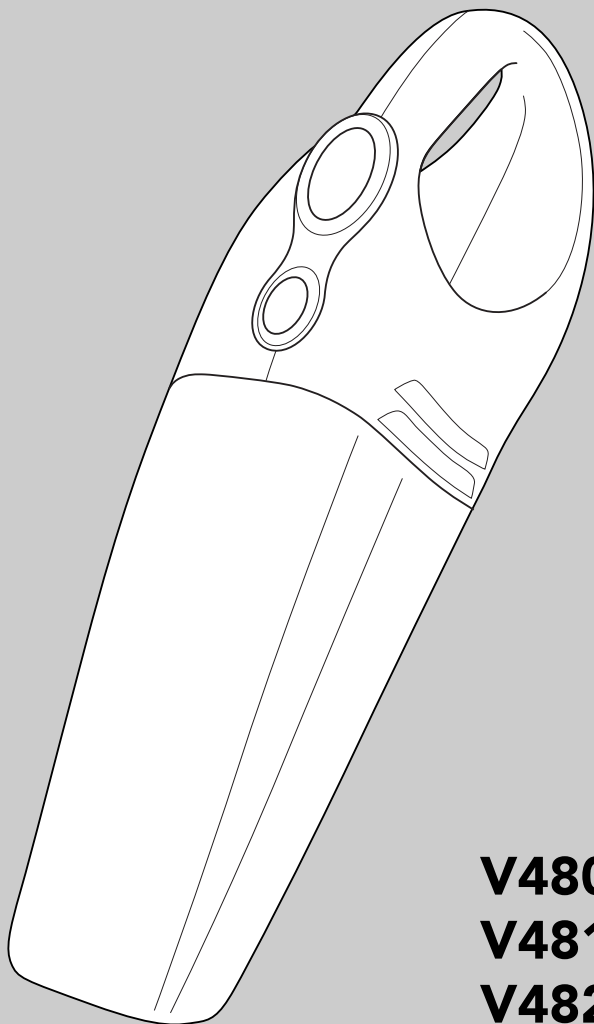




**BLACK &
DECKER®**

www.blackanddecker.com



V4800

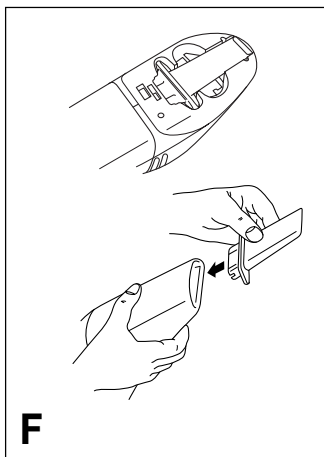
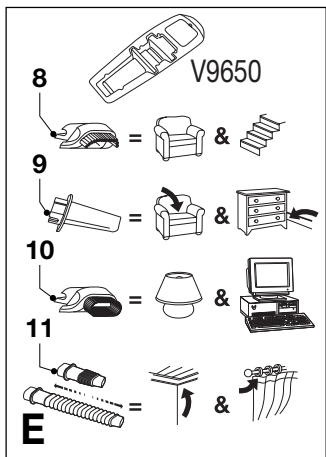
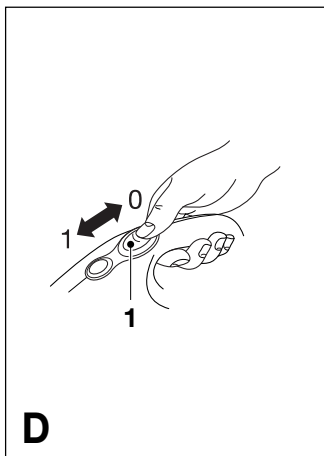
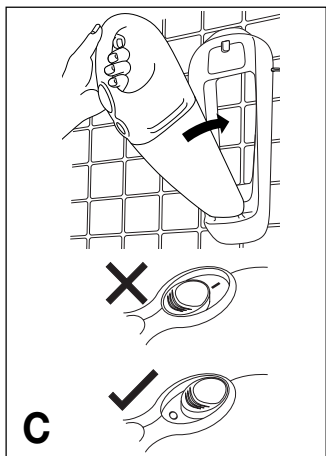
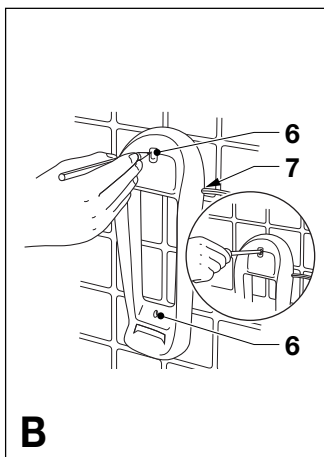
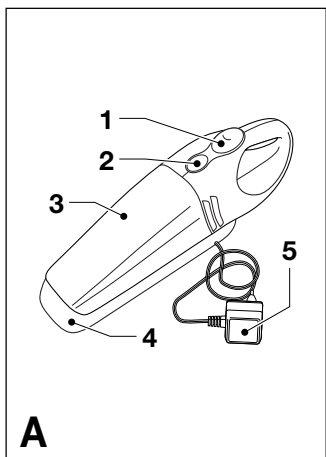
V4810

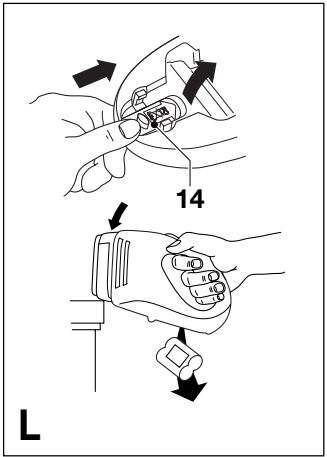
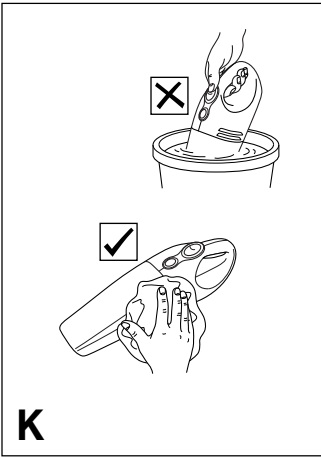
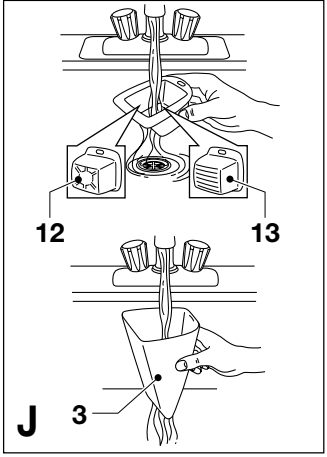
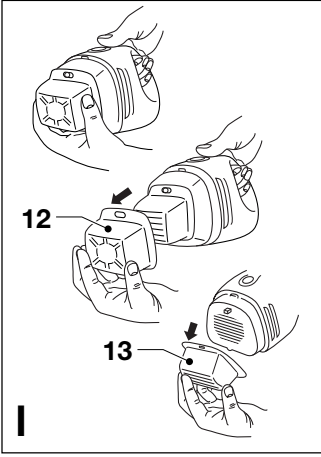
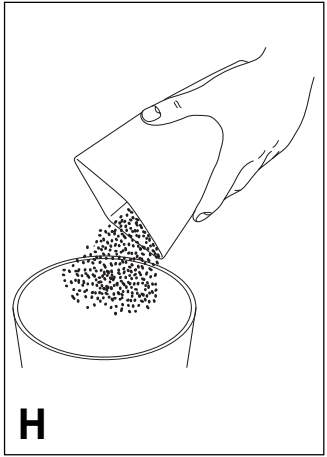
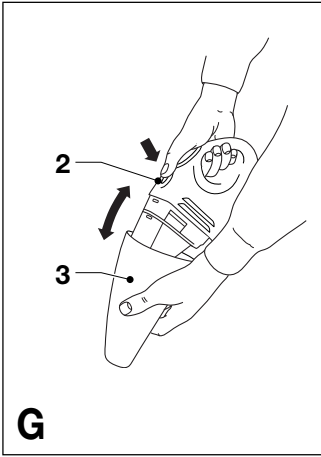
V4820

V7210

V9650

Dustbuster®





Dustbuster® V4800/V4810/ V4820/V7210/V9650

Thank you for choosing Black & Decker. We hope that you will enjoy using this product for many years.

OVERVIEW (fig. A)

1. On/off switch
2. Release button
3. Dust bowl
4. Charging base
5. Charger

EC DECLARATION OF CONFORMITY

V4800/V4810/V4820/V7210/ V9650

Black & Decker declares that these products conform to: 98/37/EC, 89/336/EEC, 73/23/EEC, EN 55014, EN60335, EN 61000

| | | |
|-----------------------------------|---------|-------|
| L_{pA} (sound pressure) | dB(A) | 80 |
| Hand/arm weighted vibration value | m/s^2 | < 2.5 |




Colin Wills
Director of Engineering
BDCI, 4/F, 2 Dai Wang Street
Tai Po Industrial Estate
Tai Po NT, Hong Kong

INTENDED USE

Your Black & Decker Dustbuster® hand held vacuum cleaner has been designed for light dry vacuum cleaning purposes. This product is intended for household use only.

WARNING SYMBOLS

The following symbols are used in this manual:

-  Denotes risk of personal injury, loss of life or damage to the product in case of non-observance of the instructions in this manual.

SAFETY INSTRUCTIONS

- ◆ **Warning!** When using battery-powered appliances, basic safety precautions, including the following, should always be followed to reduce the risk of fire, leaking batteries, personal injury and material damage.
- ◆ Read all of this manual carefully before using the appliance.
- ◆ The intended use is described in this manual. The use of any accessory or attachment or the performance of any operation with this appliance other than those recommended in this instruction manual may present a risk of personal injury.
- ◆ Retain this manual for future reference.

Using your appliance

- ◆ Do not use the appliance to pick up liquids.
- ◆ Do not use the appliance to pick up any materials that could catch fire.
- ◆ Do not use the appliance near water. Do not immerse the appliance in water.
- ◆ Keep the motor draught away from your eyes and face.
- ◆ Keep children and animals at a safe distance when using this appliance.

- ◆ Never pull the charger lead to disconnect the charger from the socket. Keep the charger lead away from heat, oil and sharp edges.

After use

- ◆ Unplug the charger before cleaning the charger or charging base.
- ◆ When not in use, the appliance should be stored in a dry place. Children should not have access to stored appliances.

Inspection and repairs

- ◆ Before use, check the appliance for damaged or defective parts. Check for breakage of parts, damage to switches and any other conditions that may affect its operation.
- ◆ Do not use the appliance if any part is damaged or defective.
- ◆ Have any damaged or defective parts repaired or replaced by an authorised repair agent.
- ◆ Regularly check the charger lead for damage. Replace the charger if the lead is damaged or defective.
- ◆ Never attempt to remove or replace any parts other than those specified in this manual.

Battery

- ◆ Never attempt to open the battery for any reason.
- ◆ Do not expose the battery to water.
- ◆ Do not incinerate the battery.
- ◆ When disposing of batteries, follow the instructions given in the section "Protecting the Environment".

Charger

- ◆ Do not expose the charger to water.
- ◆ Do not open the charger.

ELECTRICAL SAFETY

Your charger has been designed for a specific mains voltage. Always check that the mains voltage corresponds to the voltage on the rating plate.



Your charger is double insulated in accordance with EN 60335; therefore no earth wire is required.



Never attempt to replace the charger unit with a regular mains plug.

INSTALLATION

Fitting the charging base to the wall (fig. B)

The charging base can be fitted to the wall to provide a convenient storage and charging point for the appliance.

- ◆ Find a suitable indoor location near a mains outlet.
- ◆ Position the charging base as shown and mark the location of the mounting holes (6) on the wall.
- ◆ Drill a hole (\varnothing 6 mm, approx. 35 mm deep) at each of the marked locations.
- ◆ Insert the wall plugs provided into the holes.
- ◆ Fit the charging base to the wall using the screws provided. Make sure to guide the charger lead through the slot (7). Excess lead can be stored at the rear of the charging base.

BEFORE FIRST USE

Before first use, the battery must be charged for at least 16 hours.

- ◆ Before charging, preferably discharge the battery by operating the appliance until the motor stops.
- ◆ Charge the battery as described below.


USE

Charging the battery (fig. C)

- ◆ Make sure that the appliance is switched off. **The battery will not be charged with the on/off switch in the on position.**
- ◆ Place the appliance on the charging base as shown.
- ◆ Plug in the charger. Switch on at the mains.
- ◆ **Leave the appliance to charge for at least 16 hours.**

Whilst charging, the charger may become warm. This is normal and does not indicate a problem. The appliance can be left connected to the charger indefinitely. When the battery is fully charged, the power consumption of the charger is negligible.

Important! Place the appliance on the charging base whenever it is not in use. After fully charging the battery, the average effective usage time is approx. 8 to 15 minutes (depending on the model). It may take several charging cycles before the battery attains full capacity.

 Do not charge the battery at ambient temperatures below 4 °C or above 40 °C.

Operating the appliance (fig. D)

- ◆ To switch on, slide the on/off switch (1) forward.
- ◆ To switch off, slide the on/off switch back.

Accessories (fig. E & F)**V4810/V4820/V7210/V9650**

These models are supplied with the following accessories (fig. E):

- a hard brush (8) for furniture and stairs (not for V4820)
- a crevice tool (9) for confined spaces

- a soft brush (10) for keyboards and lamp shades (V4820)

V9650

Two additional accessories are stored in a portable caddy located in the charging base:

- a soft brush (10) for keyboards and lamp shades
- an extendable crevice tool (11) for longer reach in confined spaces

To fit an accessory, proceed as follows (fig. F):

- ◆ Take the accessories from the appliance.
- ◆ Insert the appropriate accessory into the front of the appliance.


TROUBLESHOOTING

If the product does not work, follow the instructions below.

If this does not solve the problem, please contact your local Black & Decker repair agent.

- ◆ Make sure the battery is fully charged.
- ◆ If the battery cannot be charged, check if the charger is plugged in correctly and the mains is working. Make sure the on/off switch is in the off position.

CLEANING AND MAINTENANCE

 Regularly clean the filters.

Cleaning the dust bowl and filters (fig. G, H, I & J)

The filters are re-usable and should be cleaned regularly.

- ◆ Press the release button (2) and remove the dust bowl (3) (fig. G).
- ◆ Remove any dust from the dust bowl (fig. H).
- ◆ Remove the filters (12 & 13) by twisting them clockwise (fig. I).

- ◆ Brush any loose dust off the filters.
- ◆ Wash the filters in warm, soapy water. The bowl can also be washed if necessary (fig. J).
- ◆ Make sure the dust bowl and filters are dry.
- ◆ Refit the filters (12 & 13) onto the appliance, twisting them counterclockwise until they lock into place.
- ◆ Refit the dust bowl onto the appliance. Make sure the dust bowl clicks into place.

Important! Optimum dust collection will only be achieved with clean filters and an empty dust bowl. If dust begins to fall back out of the appliance after switching it off, this indicates that the dust bowl is full and must be emptied.



- ◆ Never use the appliance without the filters.
- ◆ Do not immerse the appliance in water (fig. K).

Replacing the filters (fig. G & I)

The filters should be replaced every 6 to 9 months and whenever worn or damaged. Replacement filters are available from your Black & Decker dealer (cat. no. VF20).

- ◆ Press the release button (2) and remove the dust bowl (3) (fig. G).
- ◆ Remove the filters (12 & 13) by twisting them clockwise (fig. I).
- ◆ Fit the new filters (12 & 13) onto the appliance, twisting them counterclockwise until they lock into place.
- ◆ Refit the dust bowl onto the appliance. Make sure the dust bowl clicks into position.

PROTECTING THE ENVIRONMENT



Should you find one day that your Black & Decker product needs replacement, or if it is of no further use to you, think of the protection of the environment. Black & Decker repair agents will accept old Black & Decker products and ensure that they are disposed of in an environmentally safe way.

Battery (fig. L)




If you want to dispose of the product yourself, the battery must be removed as described below and disposed of in accordance with local regulations. Do not short-circuit the battery terminals.

- ◆ Preferably discharge the battery by operating the appliance until the motor stops.

The battery is located under the back end of the appliance.

- ◆ Remove the crevice tool from the accessory holder.
- ◆ Push the slider (14) towards the front of the product.
- ◆ Remove the accessory holder.
- ◆ Strike the product on a firm and stable surface as shown in fig. L to dislodge the battery. Alternatively, use a screwdriver to dislodge the battery.
- ◆ Place the battery in suitable packaging to ensure that the terminals cannot be short-circuited.
- ◆ Take the battery to your service agent or a local recycling station. Collected batteries will be recycled or disposed of properly.

 Once removed, the battery cannot be refitted.

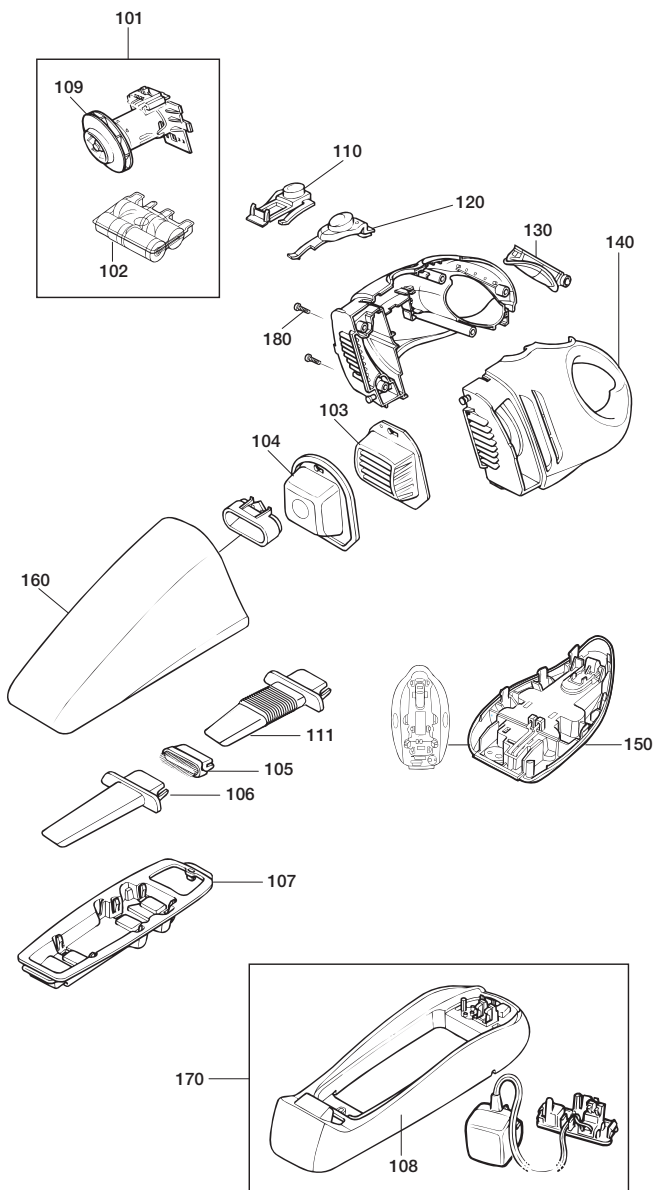
Guarantee

Black & Decker is confident of the quality of its products and offers an outstanding guarantee. This guarantee statement is in addition to and in no way prejudices your statutory rights. The guarantee is valid within the territories of the Member States of the European Union and the European Free Trade Area.

If a Black & Decker product becomes defective due to faulty materials, workmanship or lack of conformity, within 24 months from the date of purchase, Black & Decker guarantees to replace defective parts, repair products subjected to fair wear and tear or replace such products to ensure minimum inconvenience to the customer unless:

- ◆ The product has been used for trade, professional or hire purposes;
- ◆ The product has been subjected to misuse or neglect;
- ◆ The product has sustained damage through foreign objects, substances or accidents;
- ◆ Repairs have been attempted by persons other than authorised repair agents or Black & Decker service staff.

To claim on the guarantee, you will need to submit proof of purchase to the seller or an authorised repair agent. You can check the location of your nearest authorised repair agent by contacting your local Black & Decker office at the address indicated in this manual. Alternatively, a list of authorised Black & Decker repair agents and full details of our after-sales service and contacts are available on the Internet at: **www.2helpU.com**.



| | | |
|-----------------------|---|--|
| Australia | DEWALT Industrial Power Tool Company 7 Clarice Road, Box Hill, Victoria 3128 | Tel. 03 9895 9200 Fax 03 9899 7465 |
| New Zealand | Black & Decker 81 Hugo Johnson Drive Penrose, Auckland, New Zealand | Tel. 09 579 7600 Fax 09 579 8200 |
| South Africa | Black & Decker South Africa (Pty) Ltd Physical address: 39 Commerce Crescent Eastgate, ext. 12, Sandton, Kramerville 2148 Postal address: Postnet Suite 107, Private Bag X65 Halfway House 1685 | Tel. (011) 653-1400 Fax (011) 653-1499 |
| United Kingdom | Black & Decker 210 Bath Road Slough, Berkshire SL1 3YD | Tel. 01753 511234 Fax 01753 551155 Helpline 01753 574277 |