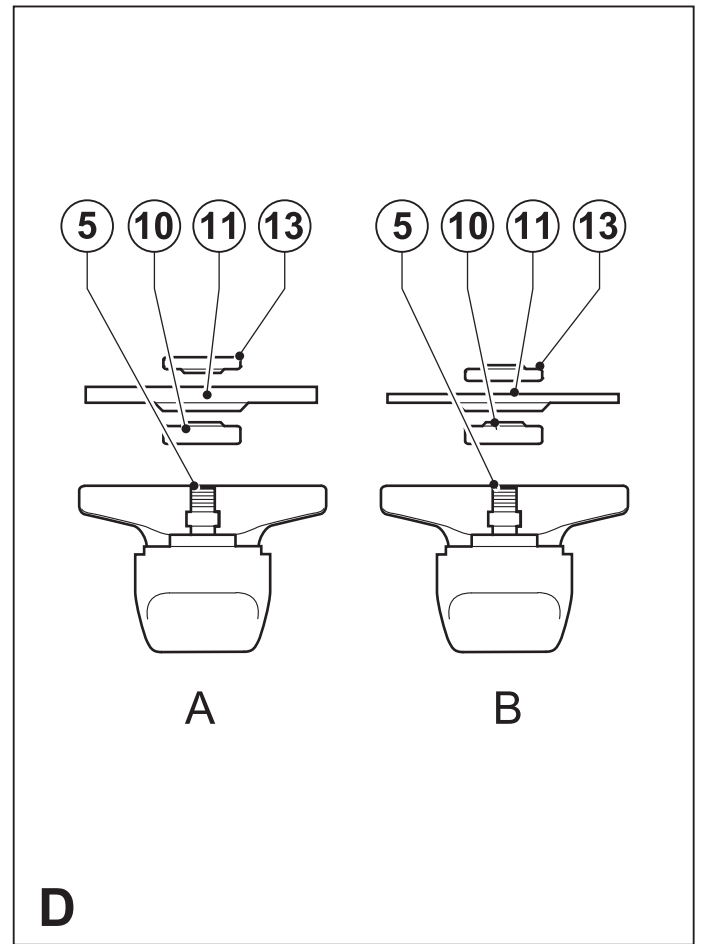
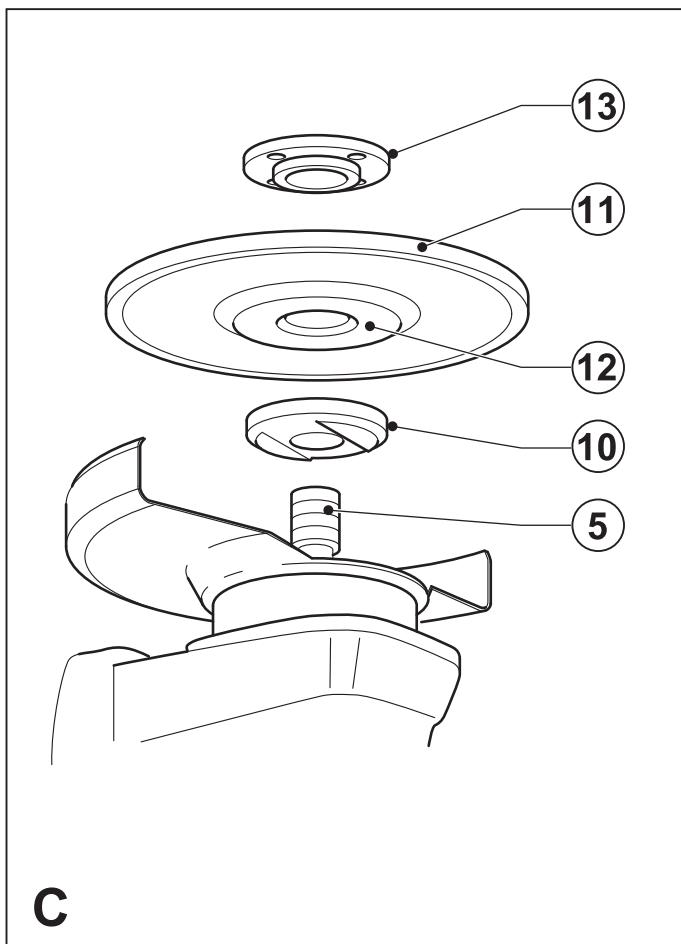
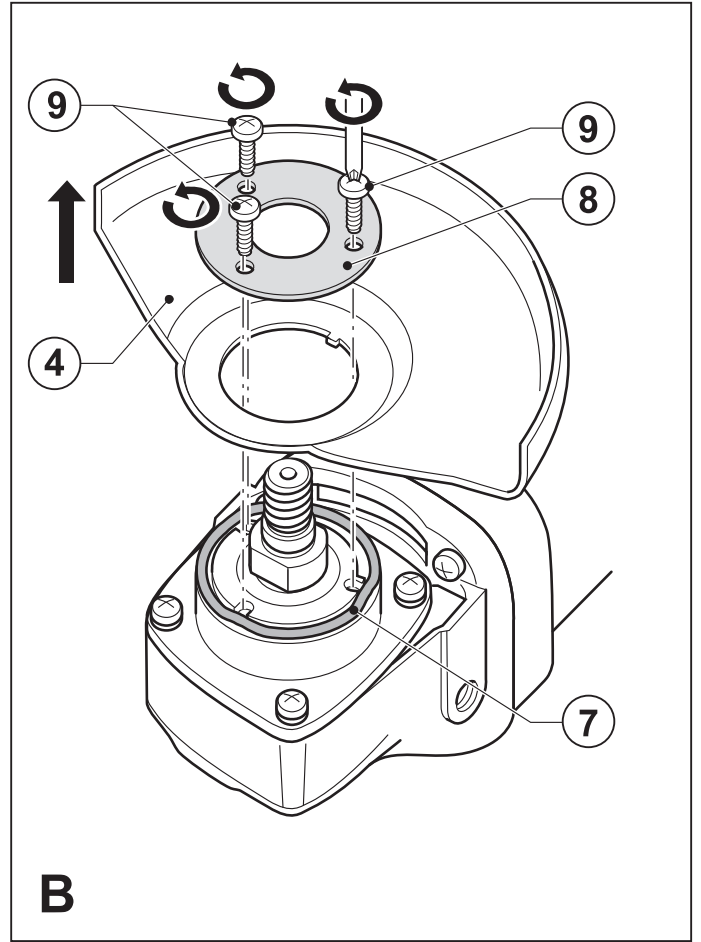
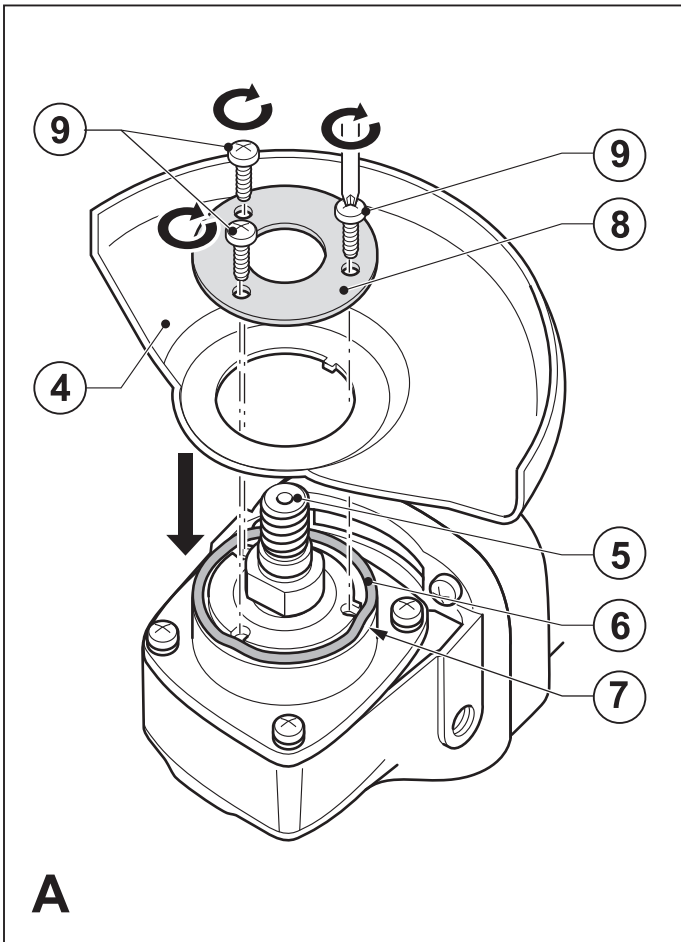
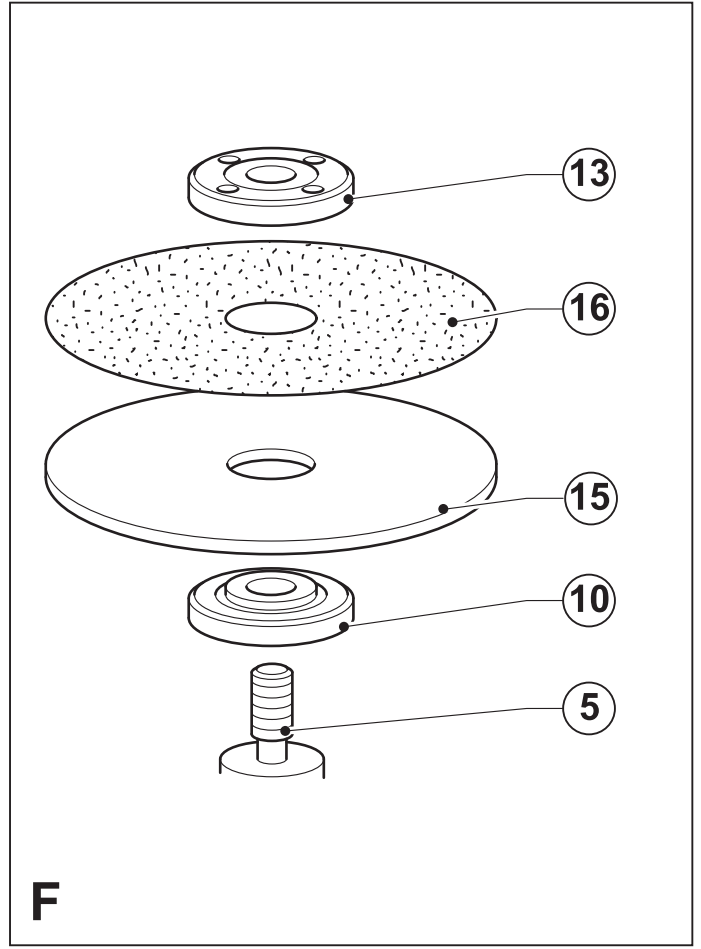
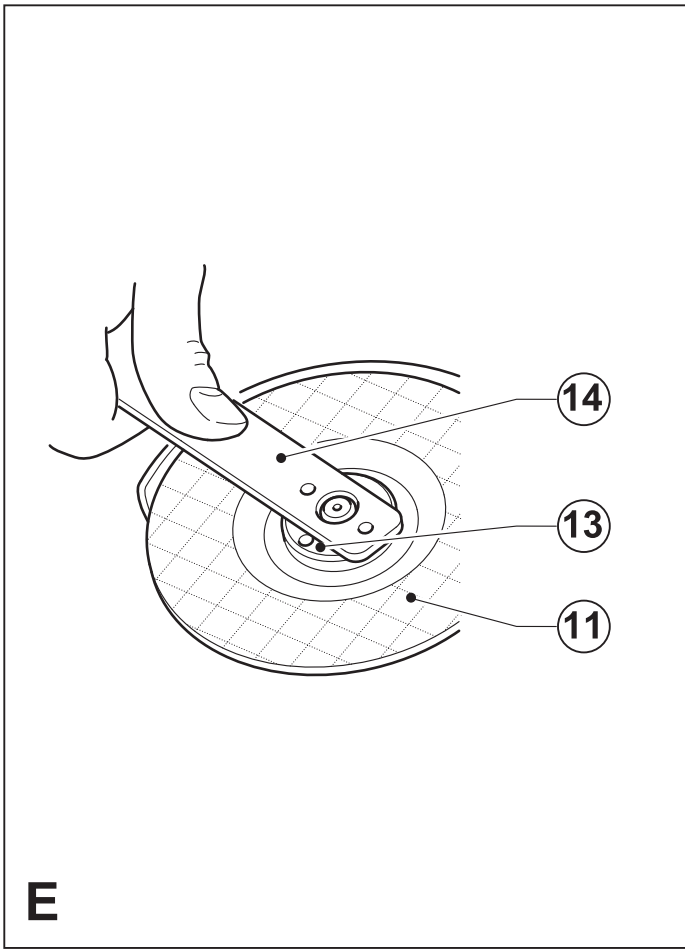


AST15
KG725
KG900
KG915
KG925

English	(Original instructions)	5
Deutsch	(Übersetzung der Originalanleitung)	13
Français	(Traduction des instructions d'origine)	22
Česky	(Přeloženo z původního návodu)	30
Magyar	(Fordítás az eredeti kezelési utasítás alapján készült)	38
Polski	(Tłumaczenie oryginalnej instrukcji)	48
Slovenčina	(Preložené z pôvodného návodu)	57
Русский язык	(Перевод с оригинала инструкции)	66
Українська	(Переклад оригінальних інструкцій)	76
Türkçe	(Çevirisi orijinal talimatlardan yapılmıştır)	86





Intended use

Your Black & Decker angle grinder has been designed for grinding and cutting metal and masonry using the appropriate type of cutting or grinding disc. When fitted with the appropriate guard, this tool is intended for consumer use only.

Safety instructions

General power tool safety warnings



Warning! Read all safety warnings and all instructions. Failure to follow all instructions may result in electric shock, fire and/or serious injury.

Save all warnings and instructions for future reference.

The term “power tool” in all of the warnings listed below refers to your mains operated (corded) power tool or battery operated (cordless) power tool.

1. **Work area safety**
 - a. **Keep work area clean and well lit.** Cluttered or dark areas invite accidents.
 - b. **Do not operate power tools in explosive atmospheres, such as in the presence of flammable liquids, gases or dust.** Power tools create sparks which may ignite the dust or fumes.
 - c. **Keep children and bystanders away while operating a power tool.** Distractions can cause you to lose control.
2. **Electrical safety**
 - a. **Power tool plugs must match the outlet. Never modify the plug in any way. Do not use any adapter plugs with earthed (grounded) power tools.** Unmodified plugs and matching outlets will reduce risk of electric shock.
 - b. **Avoid body contact with earthed or grounded surfaces such as pipes, radiators, ranges and refrigerators.** There is an increased risk of electric shock if your body is earthed or grounded.
 - c. **Do not expose power tools to rain or wet conditions.**
Water entering a power tool will increase the risk of electric shock.
 - d. **Do not abuse the cord. Never use the cord for carrying, pulling or unplugging the power tool. Keep cord away from heat, oil, sharp edges or moving parts.** Damaged or entangled cords increase the risk of electric shock.
3. **Personal safety**
 - a. **Stay alert, watch what you are doing and use common sense when operating a power tool. Do not use a power tool while you are tired or under the influence of drugs, alcohol or medication.** A moment of inattention while operating power tools may result in serious personal injury.
 - b. **Use personal protective equipment. Always wear eye protection.** Protective equipment such as dust mask, non-skid safety shoes, hard hat, or hearing protection used for appropriate conditions will reduce personal injuries.
 - c. **Prevent unintentional starting. Ensure the switch is in the off-position before connecting to power source and/or battery pack, picking up or carrying the tool.**
Carrying power tools with your finger on the switch or energising power tools that have the switch on invites accidents.
 - d. **Remove any adjusting key or wrench before turning the power tool on.** A wrench or a key left attached to a rotating part of the power tool may result in personal injury.
 - e. **Do not overreach. Keep proper footing and balance at all times.** This enables better control of the power tool in unexpected situations.
 - f. **Dress properly. Do not wear loose clothing or jewellery. Keep your hair, clothing and gloves away from moving parts.** Loose clothes, jewellery or long hair can be caught in moving parts.
 - g. **If devices are provided for the connection of dust extraction and collection facilities, ensure these are connected and properly used.** Use of these devices can reduce dust related hazards.
4. **Power tool use and care**
 - a. **Do not force the power tool. Use the correct power tool for your application.** The correct power tool will do the job better and safer at the rate for which it was designed.
 - b. **Do not use the power tool if the switch does not turn it on and off.** Any power tool that cannot be controlled with the switch is dangerous and must be repaired.
- e. **When operating a power tool outdoors, use an extension cord suitable for outdoor use.** Use of a cord suitable for outdoor use reduces the risk of electric shock.
- f. **If operating a power tool in a damp location is unavoidable, use a residual current device (RCD) protected supply.** Use of an RCD reduces the risk of electric shock.

- c. **Disconnect the plug from the power source and/or the battery pack from the power tool before making any adjustments, changing accessories, or storing power tools.** Such preventive safety measures reduce the risk of starting the power tool accidentally.
 - d. **Store idle power tools out of the reach of children and do not allow persons unfamiliar with the power tool or these instructions to operate the power tool.** Power tools are dangerous in the hands of untrained users.
 - e. **Maintain power tools. Check for misalignment or binding of moving parts, breakage of parts and any other condition that may affect the power tools operation. If damaged, have the power tool repaired before use.** Many accidents are caused by poorly maintained power tools.
 - f. **Keep cutting tools sharp and clean.** Properly maintained cutting tools with sharp cutting edges are less likely to bind and are easier to control.
 - g. **Use the power tool, accessories and tool bits etc. in accordance with these instructions, taking into account the working conditions and the work to be performed.** Use of the power tool for operations different from those intended could result in a hazardous situation.
5. **Service**
- a. **Have your power tool serviced by a qualified repair person using only identical replacement parts.** This will make sure that the safety of the power tool is maintained.

Additional power tool safety warnings



Warning! Additional safety warnings for grinding, sanding, wire brushing, polishing or abrasive cutting-off operations

- ◆ **This power tool is intended to function as a grinder, sander, wire brush, polisher or cut-off tool. Read all safety warnings, instructions, illustrations and specifications provided with this power tool.** Failure to follow all instructions listed below may result in electric shock, fire and/or serious injury.
- ◆ **Operations for which the power tool was not designed may create a hazard and cause personal injury.**
- ◆ **Do not use accessories which are not specifically designed and recommended by the tool manufacturer.**
Just because the accessory can be attached to

your power tool, it does not assure safe operation.

- ◆ **The rated speed of the accessory must be at least equal to the maximum speed marked on the power tool.** Accessories running faster than their rated speed can break and fly apart.
- ◆ **The outside diameter and the thickness of your accessory must be within the capacity rating of your power tool.** Incorrectly sized accessories cannot be adequately guarded or controlled.
- ◆ **The arbour size of wheels, flanges, backing pads or any other accessory must properly fit the spindle of the power tool.** Accessories with arbour holes that do not match the mounting hardware of the power tool will run out of balance, vibrate excessively and may cause loss of control.
- ◆ **Do not use a damaged accessory. Before each use inspect the accessory such as abrasive wheels for chips and cracks, backing pad for cracks, tear or excess wear, wire brush for loose or cracked wires. If power tool or accessory is dropped, inspect for damage or install an undamaged accessory. After inspecting and installing an accessory and run the power tool at maximum no-load speed for one minute.** Damaged accessories will normally break apart during this test time.
- ◆ **Wear personal protective equipment. Depending on application, use face shield, safety goggles or safety glasses. As appropriate, wear dust mask, hearing protectors, gloves and workshop apron capable of stopping small abrasive or workpiece fragments.** The eye protection must be capable of stopping flying debris generated by various operations. The dust mask or respirator must be capable of filtering particles generated by your operation. Prolonged exposure to high intensity noise may cause hearing loss.
- ◆ **Keep bystanders a safe distance away from work area. Anyone entering the work area must wear personal protective equipment.** Fragments of workpiece or of a broken accessory may fly away and cause injury beyond immediate area of operation.
- ◆ **Hold the power tool by insulated gripping surfaces, because the sanding belt / sanding base may contact its own cord.** Cutting a "live" wire may make exposed metal parts of the power tool "live" could give the operator an electric shock.

- ◆ **Position the cord clear of the spinning accessory.** If you lose control, the cord may be cut or snagged and your hand or arm may be pulled into the spinning accessory.
- ◆ **Never lay the power tool down until the accessory has come to a complete stop.** The spinning accessory may grab the surface and pull the power tool out of your control.
- ◆ **Do not run the power tool while carrying it at your side.** Accidental contact with the spinning accessory could snag your clothing, pulling the accessory into your body.
- ◆ **Regularly clean the power tool's air vents.** The motor's fan will draw the dust inside the housing and excessive accumulation of powdered metal may cause electrical hazards.
- ◆ **Do not operate the power tool near flammable materials.** Sparks could ignite these materials.
- ◆ **Do not use accessories that require liquid coolants.** Using water or other liquid coolants may result in electrocution or shock.

Note: The above warning does not apply for power tools specifically designed for use with a liquid system.

Kickback and related warnings

Kickback is a sudden reaction to a pinched or snagged rotating wheel, backing pad, brush or any other accessory.

Pinching or snagging causes rapid stalling of the rotating accessory which in turn causes the uncontrolled power tool to be forced in the direction opposite of the accessory's rotation at the point of the binding.

For example, if an abrasive wheel is snagged or pinched by the workpiece, the edge of the wheel that is entering into the pinch point can dig into the surface of the material causing the wheel to climb out or kick out. The wheel may either jump toward or away from the operator, depending on direction of the wheel's movement at the point of pinching. Abrasive wheels may also break under these conditions.

Kickback is the result of power tool misuse and/or incorrect operating procedures or conditions and can be avoided by taking proper precautions as given below.

- ◆ **Maintain a firm grip on the power tool and position your body and arm to allow you to resist kickback forces. Always use auxiliary**

handle, if provided, for maximum control over kickback or torque reaction during start-up. The operator can control torque reactions or kickback forces, if proper precautions are taken.

- ◆ **Never place your hand near the rotating accessory.**
Accessory may kickback over your hand.
- ◆ **Do not position your body in the area where power tool will move if kickback occurs.** Kickback will propel the tool in direction opposite to the wheel's movement at the point of snagging.
- ◆ **Use special care when working corners, sharp edges etc. Avoid bouncing and snagging the accessory.**
Corners, sharp edges or bouncing have a tendency to snag the rotating accessory and cause loss of control or kickback.
- ◆ **Do not attach a saw chain woodcarving blade or toothed saw blade.** Such blades create frequent kickback and loss of control.

Additional safety instructions for grinding and cutting-off operations

Safety warnings specific for grinding and abrasive cutting-off operations

- ◆ **Use only wheel types that are recommended for your power tool and the specific guard designed for the selected wheel.** Wheels for which the power tool was not designed cannot be adequately guarded and are unsafe.
- ◆ **The guard must be securely attached to the power tool and positioned for maximum safety, so the least amount of wheel is exposed towards the operator.** The guard helps to protect operator from broken wheel fragments and accidental contact with wheel.
- ◆ **Wheels must be used only for recommended applications. For example: do not grind with the side of cut-off wheel.** Abrasive cut-off wheels are intended for peripheral grinding, side forces applied to these wheels may cause them to shatter.
- ◆ **Always use undamaged wheel flanges that are of correct size and shape for your selected wheel.** Proper wheel flanges support the wheel thus reducing the possibility of wheel breakage. Flanges for cut-off wheels may be different from grinding wheel flanges.
- ◆ **Do not use worn down wheels from larger power tools.** Wheel intended for larger power tool is not suitable for the higher speed of a smaller tool and may burst.

Additional safety warnings specific for abrasive cutting-off operations

- ◆ **Do not “jam” the cut-off wheel or apply excessive pressure. Do not attempt to make an excessive depth of cut.** Over stressing the wheel increases the loading and susceptibility to twisting or binding of the wheel in the cut and the possibility of kickback or wheel breakage.
- ◆ **Do not position your body in line with and behind the rotating wheel.** When the wheel, at the point of operation, is moving away from your body, the possible kickback may propel the spinning wheel and the power tool directly at you.
- ◆ **When wheel is binding or when interrupting a cut for any reason, switch off the power tool and hold the power tool motionless until the wheel comes to a complete stop. Never attempt to remove the cut-off wheel from the cut while the wheel is in motion otherwise kickback may occur.** Investigate and take corrective action to eliminate the cause of wheel binding.
- ◆ **Do not restart the cutting operation in the workpiece. Let the wheel reach full speed and carefully re-enter the cut.** The wheel may bind, walk up or kickback if the power tool is restarted in the workpiece.
- ◆ **Support panels or any oversized workpiece to minimize the risk of wheel pinching and kickback.** Large workpieces tend to sag under their own weight. Supports must be placed under the workpiece near the line of cut and near the edge of the workpiece on both sides of the wheel.
- ◆ **Use extra caution when making a “pocket cut” into existing walls or other blind areas.** The protruding wheel may cut gas or water pipes, electrical wiring or objects that can cause kickback.

Safety warnings specific for sanding operations

- ◆ **Do not use excessively oversized sanding disc paper.**
Follow manufacturers recommendations, when selecting sanding paper. Larger sanding paper extending beyond the sanding pad presents a laceration hazard and may cause snagging, tearing of the disc or kickback.

Safety warnings specific for polishing operations

- ◆ **Do not allow any loose portion of the polishing bonnet or its attachment strings to spin freely. Tuck away or trim any loose attach-**

ment strings. Loose and spinning attachment strings can entangle your fingers or snag on the workpiece.

Safety warnings specific for wire brushing operations

- ◆ **Be aware that wire bristles are thrown by the brush even during ordinary operation. Do not overstress the wires by applying excessive load to the brush.** The wire bristles can easily penetrate light clothing and/or skin.
- ◆ **If the use of a guard is recommended for wire brushing, do not allow any interference of the wire wheel or brush with the guard.** Wire wheel or brush may expand in diameter due to work load and centrifugal forces.

Safety of others

- ◆ This appliance is not intended for use by persons (including children) with reduced physical, sensory or mental capabilities, or lack of experience and knowledge, unless they have been given supervision or instruction concerning use of the appliance by a person responsible for their safety.
- ◆ Children should be supervised to ensure that they do not play with the appliance.

Vibration

The declared vibration emission values stated in the technical data and the declaration of conformity have been measured in accordance with a standard test method provided by EN 60745 and may be used for comparing one tool with another. The declared vibration emission value may also be used in a preliminary assessment of exposure.

Warning! The vibration emission value during actual use of the power tool can differ from the declared value depending on the ways in which the tool is used. The vibration level may increase above the level stated.

When assessing vibration exposure to determine safety measures required by 2002/44/EC to protect persons regularly using power tools in employment, an estimation of vibration exposure should consider, the actual conditions of use and the way the tool is used, including taking account of all parts of the operating cycle such as the times when the tool is switched off and when it is running idle in addition to the trigger time.

Labels on tool



Warning! To reduce the risk of injury, the user must read the instruction manual.



Wear safety glasses or goggles when operating this tool.



Wear ear protection when operating this tool.

Electrical safety



This tool is double insulated; therefore no earth wire is required. Always check that the power supply corresponds to the voltage on the rating plate.

- ◆ If the supply cord is damaged, it must be replaced by the manufacturer or an authorised Black & Decker Service Centre in order to avoid a hazard.

Features

Your tool has some or all of the following features:

1. On/off switch
2. Side handle
3. Spindle lock
4. Guard

Assembly

Warning! Before assembly, make sure that the tool is switched off and unplugged.

Fitting and removing the guard (fig. A & B)

The tool is supplied with a guard intended for grinding purposes only. If the unit is intended to perform cutting off operations, a guard specific for this operation must be fitted. A suitable guard for cutting off operations part number 1004484-00 is available and can be obtained from Black & Decker service centres.

Fitting

- ◆ Place the tool on a table, with the spindle (5) facing up.
- ◆ Place the spring washer (6) over the spindle and locate it on the shoulder (7).
- ◆ Place the guard (4) onto the tool as shown.

- ◆ Place the flange (8) over the spindle with the protruding pins towards the guard. Make sure that the holes in the flange align with the screw holes.
- ◆ Secure the flange with the screws (9). Make sure that the screws are fully tight and that the guard can be rotated.

Removing

- ◆ Use a screwdriver to remove the screws (9).
- ◆ Remove the flange (8), guard (4) and spring washer (7).
Store these parts carefully.

Warning! Never use the tool without the guard.

Fitting the side handle

- ◆ Screw the side handle (2) into one of the mounting holes in the tool.

Warning! Always use the side handle.

Fitting and removing grinding or cutting discs (fig. C - E)

Always use the correct type of disc for your application.

Always use discs with the correct diameter and bore size (see technical data).

Fitting

- ◆ Fit the guard as described above.
- ◆ Place the inner flange (10) onto the spindle (5) as shown (fig. C). Make sure that the flange is correctly located on the flat sides of the spindle.
- ◆ Place the disc (11) onto the spindle (5) as shown (fig. C).
If the disc has a raised centre (12), make sure that the raised centre faces the inner flange.
- ◆ Make sure that the disc locates correctly on the inner flange.
- ◆ Place the outer flange (13) onto the spindle. When fitting a grinding disc, the raised centre on the outer flange must face towards the disc (A in fig. D). When fitting a cutting disc, the raised centre on the outer flange must face away from the disc (B in fig. D).
- ◆ Keep the spindle lock (3) depressed and tighten the outer flange using the two-pin spanner (14) (fig. E).

Removing

- ◆ Keep the spindle lock (3) depressed and loosen the outer flange (13) using the two-pin spanner (14) (fig. E).
- ◆ Remove the outer flange (13) and the disc (11).

Fitting and removing sanding discs (fig. E & F)

For sanding, a backing pad is required. The backing pad is available from your Black & Decker dealer as an accessory.

Fitting

- ◆ Place the inner flange (10) onto the spindle (5) as shown (fig. F). Make sure that the flange is correctly located on the flat sides of the spindle.
- ◆ Place the backing pad (15) onto the spindle.
- ◆ Place the sanding disc (16) onto the backing pad.
- ◆ Place the outer flange (13) onto the spindle with the raised centre facing away from the disc.
- ◆ Keep the spindle lock (3) depressed and tighten the outer flange using the two-pin spanner (14) (fig. E). Make sure that the outer flange is fitted correctly and that the disc is clamped tightly.

Removing

- ◆ Keep the spindle lock (3) depressed and loosen the outer flange (13) using the two-pin spanner (14) (fig. E).
- ◆ Remove the outer flange (13), the sanding disc (16) and the backing pad (15).

Residual risks

Additional residual risks may arise when using the tool which may not be included in the enclosed safety warnings. These risks can arise from misuse, prolonged use etc. Even with the application of the relevant safety regulations and the implementation of safety devices, certain residual risks cannot be avoided. These include:

- ◆ Injuries caused by touching any rotating/moving parts.
- ◆ Injuries caused when changing any parts, blades or accessories.
- ◆ Injuries caused by prolonged use of a tool. When using any tool for prolonged periods make sure you take regular breaks.
- ◆ Impairment of hearing.
- ◆ Health hazards caused by breathing dust developed when using your tool (example:- working with wood, especially oak, beech and MDF).

Use

Warning! Let the tool work at its own pace. Do not overload.

- ◆ Carefully guide the cable in order to avoid accidentally cutting it.
- ◆ Be prepared for a stream of sparks when the grinding or cutting disc touches the workpiece.

- ◆ Always position the tool in such a way that the guard provides optimum protection from the grinding or cutting disc.

Switching on and off

- ◆ To switch on, slide the on/off switch (1) forward. Note that the tool will continue running when you release the switch.
- ◆ To switch off, press the rear part of the on/off switch.

Warning! Do not switch the tool off while under load.

Hints for optimum use

- ◆ Firmly hold the tool with one hand around the side handle and the other hand around the main handle.
- ◆ When grinding, always maintain an angle of approx. 15° between the disc and the workpiece surface.

Maintenance

Your Black & Decker tool has been designed to operate over a long period of time with a minimum of maintenance. Continuous satisfactory operation depends upon proper tool care and regular cleaning.

Warning! Before performing any maintenance on corded/cordless power tools:

- ◆ Switch off and unplug the appliance/tool.
- ◆ Or switch off and remove the battery from the appliance/tool if the appliance/tool has a separate battery pack.
- ◆ Or run the battery down completely if it is integral and then switch off.
- ◆ Unplug the charger before cleaning it. Your charger does not require any maintenance apart from regular cleaning.
- ◆ Regularly clean the ventilation slots in your appliance/tool/charger using a soft brush or dry cloth.
- ◆ Regularly clean the motor housing using a damp cloth.
Do not use any abrasive or solvent-based cleaner.
- ◆ Regularly open the chuck and tap it to remove any dust from the interior (when fitted).

Mains plug replacement (U.K. & Ireland only)

If a new mains plug needs to be fitted:

- ◆ Safely dispose of the old plug.
- ◆ Connect the brown lead to the live terminal in the new plug.
- ◆ Connect the blue lead to the neutral terminal.

Warning! No connection is to be made to the earth terminal. Follow the fitting instructions supplied with good quality plugs. Recommended fuse: 13 A.

Protecting the environment



Separate collection. This product must not be disposed of with normal household waste.

Should you find one day that your Black & Decker product needs replacement, or if it is of no further use to you, do not dispose of it with household waste. Make this product available for separate collection.



Separate collection of used products and packaging allows materials to be recycled and used again. Re-use of recycled materials helps prevent environmental pollution and reduces the demand for raw materials.

Local regulations may provide for separate collection of electrical products from the household, at municipal waste sites or by the retailer when you purchase a new product.

Black & Decker provides a facility for the collection and recycling of Black & Decker products once they have reached the end of their working life. To take advantage of this service please return your product to any authorised repair agent who will collect them on our behalf.

You can check the location of your nearest authorised repair agent by contacting your local Black & Decker office at the address indicated in this manual. Alternatively, a list of authorised Black & Decker repair agents and full details of our after-sales service and contacts are available on the Internet at: www.2helpU.com

Technical data

		AST15 TYPE 3	KG725 TYPE 3	KG900 TYPE 3
Input voltage	V _{AC}	230	230	230
Power input	W	900	701	900
No-load speed	min ⁻¹	10,000	10,000	10,000
Disc diameter	mm	115	125	100
Disc bore	mm	22	22	16
Max disc thickness				
grinding discs	mm	6	6	6
cutting discs	mm	3.5	3.5	3.5
Spindle size	mm	M14	M14	M10
Weight	kg	2.1	2.1	2.1

		KG915 TYPE 3	KG925 TYPE 3
Input voltage	V _{AC}	230	230
Power input	W	900	900
No-load speed	min ⁻¹	10,000	10,000
Disc diameter	mm	115	125
Disc bore	mm	22	22
Max disc thickness			
grinding discs	mm	6	6
cutting discs	mm	3.5	3.5
Spindle size	mm	M14	M14
Weight	kg	2.1	2.1

Level of sound pressure according to EN 60745:

Sound pressure (L_{pA}) 91 dB(A), uncertainty (K) 3 dB(A)
Acoustic power (L_{WA}) 102 dB(A), uncertainty (K) 3 dB(A)

Vibration total values (triax vector sum) according to EN 60745:

Surface grinding (a_{h,AG}) 7 m/s², uncertainty (K) 1.5 m/s²
Cutting-off (a_h) 2.5 m/s², uncertainty (K) 1.5 m/s²

EC declaration of conformity MACHINERY DIRECTIVE



AST15, KG725, KG900, KG915, KG925

Black & Decker declares that these products described under "technical data" are in compliance with:

2006/42/EC, EN60745-1, EN60745-2-3

These products also comply with Directive 2004/108/EC and 2011/65/EU.

For more information, please contact Black & Decker at the following address or refer to the back of the manual.

The undersigned is responsible for compilation of the technical file and makes this declaration on behalf of Black & Decker.

Kevin Hewitt
Vice-President Global Engineering
Black & Decker Europe, 210 Bath Road, Slough,
Berkshire, SL1 3YD
United Kingdom
23/03/2012

Guarantee

Black & Decker is confident of the quality of its products and offers an outstanding guarantee. This guarantee statement is in addition to and in no way prejudices your statutory rights.

The guarantee is valid within the territories of the Member States of the European Union and the European Free Trade Area.

If a Black & Decker product becomes defective due to faulty materials, workmanship or lack of conformity, within 24 months from the date of purchase, Black & Decker guarantees to replace defective parts, repair products subjected to fair wear and tear or replace such products to make sure of the minimum inconvenience to the customer unless:

- ◆ The product has been used for trade, professional or hire purposes;
- ◆ The product has been subjected to misuse or neglect;
- ◆ The product has sustained damage through foreign objects, substances or accidents;
- ◆ Repairs have been attempted by persons other than authorised repair agents or Black & Decker service staff.

To claim on the guarantee, you will need to submit proof of purchase to the seller or an authorised repair agent. You can check the location of your nearest authorised repair agent by contacting your local Black & Decker office at the address indicated in this manual. Alternatively, a list of authorised Black & Decker repair agents and full details of our after-sales service and contacts are available on the Internet at: **www.2helpU.com**

Please visit our website

www.blackanddecker.co.uk to register your new Black & Decker product and to be kept up to date on new products and special offers. Further information on the Black & Decker brand and our range of products is available at **www.blackanddecker.co.uk**.

Bestimmungsgemäße Verwendung

Ihr Black & Decker Winkelschleifer wurde zum Schleifen und Schneiden von Metall und Mauerwerk mit der entsprechenden Trenn- bzw. Schleifscheibe konstruiert. Dieses Werkzeug muss mit der entsprechenden Schutzvorrichtung ausgerüstet sein und ist nicht für den gewerblichen Einsatz vorgesehen.

Sicherheitshinweise

Allgemeine Warnhinweise zur Sicherheit von Elektrowerkzeugen



Achtung! Lesen Sie sämtliche Sicherheitswarnhinweise und sonstigen Anweisungen.

Die Nichteinhaltung der aufgeführten Anweisungen kann einen elektrischen Schlag, Brand und/oder schwere Verletzungen verursachen.

Bewahren Sie alle Warnhinweise und sonstigen Anweisungen zur künftigen Bezugnahme auf.

Der nachfolgend verwendete Begriff „Gerät“ bezieht sich auf netzbetriebene Geräte (mit Netzkabel) und auf akkubetriebene Geräte (ohne Netzkabel).

1. Sicherheit am Arbeitsplatz

- a. **Halten Sie Ihren Arbeitsbereich sauber und gut ausgeleuchtet.** Unordnung und dunkle Arbeitsbereiche fordern Unfälle geradezu heraus.
- b. **Arbeiten Sie mit Geräten nicht in explosionsgefährdeter Umgebung, in der sich brennbare Flüssigkeiten, Gase oder Stäube befinden.**
Geräte erzeugen Funken, die den Staub oder die Dämpfe entzünden können.
- c. **Halten Sie Kinder und andere Personen während der Benutzung eines Geräts fern.** Bei Ablenkung können Sie die Kontrolle verlieren.

2. Elektrische Sicherheit

- a. **Der Anschlussstecker des Geräts muß in die Steckdose passen. Der Stecker darf in keiner Weise verändert werden. Verwenden Sie keine Adapterstecker gemeinsam mit schutzgeerdeten Geräten.**
Unveränderte Stecker und passende Steckdosen verringern das Risiko eines elektrischen Schlages.

- b. **Vermeiden Sie Körperkontakt mit geerdeten Oberflächen von Rohren, Heizungen, Herden und Kühlschränken.** Es besteht ein erhöhtes Risiko eines elektrischen Schlags, wenn Ihr Körper geerdet ist.
- c. **Halten Sie Geräte von Regen und Nässe fern.** Das Eindringen von Wasser in ein Gerät erhöht das Risiko eines elektrischen Schlages.
- d. **Mißbrauchen Sie nicht das Kabel. Verwenden Sie das Kabel niemals zum Tragen, Ziehen oder Trennen des Gerätes vom Netz. Halten Sie das Kabel fern von Hitze, Öl, scharfen Kanten oder sich bewegenden Teilen.** Beschädigte oder verwickelte Kabel erhöhen das Risiko eines elektrischen Schlages.
- e. **Wenn Sie mit einem Gerät im Freien arbeiten, verwenden Sie nur Verlängerungskabel, die auch für den Außenbereich zugelassen sind.** Die Verwendung eines für den Außenbereich geeigneten Verlängerungskabels verringert das Risiko eines elektrischen Schlages.
- f. **Falls der Betrieb des Elektrowerkzeugs in einer feuchten Umgebung unvermeidbar ist, verwenden Sie einen mit einem Fehlerstromschutzschalter (FI-Schutzschalter) abgesicherten Stromkreis.** Durch die Verwendung eines FI-Schutzschalters wird das Risiko eines Stromschlages verringert.

3. Sicherheit von Personen

- a. **Seien Sie aufmerksam, achten Sie darauf, was Sie tun, und gehen Sie vernünftig mit einem Gerät um.**
Benutzen Sie das Gerät nicht, wenn Sie müde sind oder unter dem Einfluß von Drogen, Alkohol oder Medikamenten stehen. Ein Moment der Unachtsamkeit beim Gebrauch von Geräten kann zu ernsthaften Verletzungen führen.
- b. **Tragen Sie persönliche Schutzausrüstung. Tragen Sie immer eine Schutzbrille.** Das Tragen persönlicher Schutzausrüstung, wie Staubmaske, rutschfeste Sicherheitsschuhe, Schutzhelm oder Gehörschutz, je nach Art und Einsatz des Elektrowerkzeuges, verringert das Risiko von Verletzungen.
- c. **Vermeiden Sie eine unbeabsichtigte Inbetriebnahme.**
Vergewissern Sie sich, dass der Schalter auf der Aus-Stellung steht, bevor Sie den Stecker in die Steckdose stecken und/oder das Akkupaket im Werkzeug stecken, das Werkzeug aufnehmen oder tragen. Wenn Sie beim Tragen des Elektrowerkzeuges den Finger am Schalter haben oder das Werkzeug einge-

schaltet an die Stromversorgung anschließen, kann dies zu Unfällen führen.

- d. **Entfernen Sie Einstell- oder Schraubenschlüssel, bevor Sie das Gerät einschalten.** Ein Schlüssel, der sich in einem sich drehenden Teil befindet, kann zu Verletzungen führen.
- e. **Nicht zu weit nach vorne strecken! Achten Sie auf einen sicheren Stand, um in jeder Arbeitsposition das Gleichgewicht zu halten.** Dadurch können Sie das Gerät in unerwarteten Situationen besser unter Kontrolle halten.
- f. **Tragen Sie geeignete Kleidung. Tragen Sie keine weite Kleidung oder Schmuck. Halten Sie Haare, Kleidung und Handschuhe fern von sich bewegenden Teilen.**
Lockere Kleidung, Schmuck oder lange Haare können von sich bewegenden Teilen erfaßt werden.
- g. **Falls Staubabsaug- und -auffangvorrichtungen vorhanden sind, vergewissern Sie sich, daß diese angeschlossen sind und richtig verwendet werden.**
Diese Vorrichtungen verringern Gefährdungen durch Staub.

4. Gebrauch und Pflege von Geräten

- a. **Überlasten Sie das Gerät nicht. Verwenden Sie für Ihre Arbeit das dafür bestimmte Gerät.** Mit dem passenden Gerät arbeiten Sie besser und sicherer im angegebenen Leistungsbereich.
- b. **Benutzen Sie kein Gerät, dessen Schalter defekt ist.**
Ein Gerät, das sich nicht mehr ein- oder ausschalten läßt, ist gefährlich und muß repariert werden.
- c. **Trennen Sie den Stecker von der Stromquelle und/ oder das Akkupaket vom Elektrowerkzeug, bevor Einstellungen vorgenommen, Zubehör gewechselt oder Elektrowerkzeuge verstaut werden.** Diese Vorsichtsmaßnahmen verhindern den unbeabsichtigten Start des Gerätes.
- d. **Bewahren Sie unbenutzte Geräte außerhalb der Reichweite von Kindern auf. Lassen Sie Geräte nicht von Personen benutzen, die damit nicht vertraut sind oder diese Anweisungen nicht gelesen haben.** Geräte sind gefährlich, wenn Sie von unerfahrenen Personen benutzt werden.
- e. **Halten Sie Geräte in einem einwandfreien Zustand.**
Kontrollieren Sie, ob bewegliche Teile falsch ausgerichtet sind oder klemmen und ob

Teile gebrochen oder so beschädigt sind, daß die Funktion des Geräts beeinträchtigt ist. Lassen Sie beschädigte Geräte vor dem Gebrauch reparieren. Viele Unfälle haben ihre Ursache in schlecht gewarteten Geräten.

- f. **Halten Sie Schneidgeräte scharf und sauber.** Sorgfältig gepflegte Schneidgeräte mit scharfen Schneidkanten verklemmen sich weniger und sind leichter zu führen.
- g. **Verwenden Sie das Elektrowerkzeug, Zubehör sowie Werkzeug-Bits, usw. entsprechend diesen Anweisungen.**
Berücksichtigen Sie dabei die Arbeitsbedingungen sowie die durchzuführende Arbeit. Der Gebrauch von Geräten für andere als die vorgesehenen Anwendungen kann zu gefährlichen Situationen führen.

5. Service

- a. **Lassen Sie Ihr Gerät nur von qualifiziertem Fachpersonal und nur mit Original-Ersatzteilen reparieren.** Die Sicherheit des Geräts bleibt so erhalten.

Zusätzliche Warnhinweise zur Sicherheit von Elektrowerkzeugen



Achtung! Zusätzliche Warnhinweise zur Sicherheit beim Schleifen, Schmirgeln, Drahtbürsten, Polieren oder bei Trennschneidvorgängen

- ◆ **Dieses Elektrowerkzeug ist für Schleif- und Schmirgelarbeiten, als Drahtbürste, als Poliergerät oder als Trennschneider konstruiert. Lesen Sie alle zu diesem Elektrowerkzeug gehörenden Warnhinweise, Anweisungen, Abbildungen und Spezifikationen durch.** Die Nichteinhaltung der nachstehend aufgeführten Anweisungen kann einen elektrischen Schlag, Brand und/ oder schwere Verletzungen verursachen.
- ◆ **Arbeiten, für die das Elektrowerkzeug nicht konstruiert wurde, können gefährlich sein und zu Personenverletzungen führen.**
- ◆ **Verwenden Sie kein Zubehör, welches nicht ausdrücklich für das Werkzeug konstruiert und vom Werkzeughersteller empfohlen wurde.** Nur weil ein Zubehörteil an Ihrem Elektrowerkzeug montiert werden kann, bedeutet das nicht, daß ein sicherer Betrieb damit möglich ist.
- ◆ **Die Nenngeschwindigkeit des Zubehörs muß mindestens der auf dem Elektrowerkzeug**

angegebenen Maximalgeschwindigkeit entsprechen.

Zubehör, welches schneller als mit der Nenngeschwindigkeit läuft, kann brechen und auseinanderfliegen.

- ◆ **Der Außendurchmesser und die Stärke Ihres Zubehörs muß innerhalb der Nennkapazität Ihres Elektrowerkzeugs liegen.** Zubehör mit falscher Größe kann nicht angemessen geschützt oder kontrolliert werden.
- ◆ **Die Dorngröße von Scheiben, Flanschen, Schleiftellern sowie anderem Zubehör muß zur Spindel des Elektrowerkzeugs passen.** Zubehör mit Dornlöchern, die nicht zu den Befestigungsteilen des Elektrowerkzeugs passen, laufen mit einer Unwucht, vibrieren übermäßig und können zum Kontrollverlust führen.
- ◆ **Benutzen Sie kein beschädigtes Zubehör.** Untersuchen Sie jedes Zubehörteil wie beispielsweise Schleifscheiben auf Abblättern und Risse, Schleifteller auf Risse, Abnutzung oder übermäßigem Verschleiß, Drahtbürsten auf lose oder gebrochene Drähte. Wird das Elektrowerkzeug oder Zubehör fallen gelassen, überprüfen Sie es auf Beschädigung bzw. bringen Sie unbeschädigtes Zubehör an. Lassen Sie nach der Überprüfung und Montage eines Zubehörteils das Elektrowerkzeug eine Minute lang mit seiner maximalen Geschwindigkeit im Leerlauf laufen.
Beschädigtes Zubehör bricht normalerweise während dieser Prüfzeit auseinander.
- ◆ **Tragen Sie Personenschutz ausrüstung. Verwenden Sie je nach Einsatz einen Gesichtsschutz oder eine Schutzbrille. Tragen Sie eine Staubmaske, einen Gehörschutz, Schutzhandschuhe und eine Werkstattschürze, die kleinen Abrieb oder Werkstückteilchen abhält.** Der Augenschutz muß verhindern, daß der durch die verschiedenen Arbeiten verursachte herumfliegende Schmutz in die Augen gelangt. Staubmaske oder Atemgerät müssen in der Lage sein, die durch Ihre Arbeit hervorgerufenen Teilchen zu filtern. Wenn Sie sich längere Zeit starkem Lärm aussetzen, kann dies zu Gehörschäden führen.
- ◆ **Halten Sie Unbeteiligte in einem Sicherheitsabstand zum Arbeitsbereich. Jede Person, die den Arbeitsbereich betritt, muß Personenschutz ausrüstung tragen.** Teilchen des Werkstücks oder eines gebrochenen Zubehörteils können wegfliegen und auch jenseits des unmittelbaren Arbeitsbereichs Verletzungen verursachen.

- ◆ **Halten Sie das Gerät an den isolierten Griffflächen, da das Schleifband/die Schleifplatte mit dem Gerätekabel in Berührung kommen kann.** Der Kontakt mit stromführenden Leitungen setzt möglicherweise offenliegende Metallteile am Gerät unter Strom und kann einen Stromschlag verursachen.
- ◆ **Halten Sie die Anschlußleitung von dem sich drehenden Zubehör fern.** Wenn Sie die Kontrolle verlieren, kann die Anschlußleitung durchgeschnitten werden oder hängen bleiben und Ihre Hand oder Ihr Arm kann in das sich drehende Zubehör hineingezogen werden.
- ◆ **Legen Sie das Elektrowerkzeug niemals ab, solange das Zubehör noch nicht vollständig stehengeblieben ist.** Das sich drehende Zubehör kann sich in die Oberfläche eingraben und Ihnen das Elektrowerkzeug entreißen.
- ◆ **Lassen Sie das Elektrowerkzeug nicht laufen, während Sie es an Ihrer Seite tragen.** Ein versehentlicher Kontakt mit dem sich drehenden Zubehör kann dazu führen, daß sich Ihre Kleidung verfängt und das Zubehör in Richtung Ihres Körpers gezogen wird.
- ◆ **Reinigen Sie regelmäßig die Belüftungsschlitze des Elektrowerkzeugs.** Der Motorlüfter saugt Staub in das Gehäuse hinein, und eine übermäßige Ansammlung an pulverisiertem Metall kann zu einer elektrischen Gefahr werden.
- ◆ **Betreiben Sie das Elektrowerkzeug nicht in der Nähe von brennbaren Stoffen.** Funken können diese Stoffe entzünden.
- ◆ **Verwenden Sie kein Zubehör, das flüssige Kühlmittel benötigt.** Die Verwendung von Wasser oder anderen flüssigen Kühlmitteln kann zu tödlichen Stromschlägen führen.

Hinweis: Die oben aufgeführten Warnhinweise gelten nicht für Elektrowerkzeuge, die speziell für den Einsatz mit einem Flüssigkeitssystem konstruiert wurden.

Warnung vor Rückschlag und verwandte Warnhinweise

Rückschlag ist eine plötzliche Reaktion auf eine eingeklemmte oder verfangene Scheibe, einen Schleifteller, eine Bürste oder ein anderes Zubehörteil. Das Einklemmen oder Verfangen bewirkt zum Zeitpunkt des Hängenbleibens ein schnelles Abbremsen des sich drehenden Zubehörs, das wiederum bewirkt, daß das unkontrollierte Elektrowerkzeug in Gegenrichtung zur Drehrichtung des Zubehörs getrieben wird.

Wird beispielsweise eine Schleifscheibe vom Werkstück eingeklemmt, kann die Scheibenkante, die

in die Einklemmstelle eintritt, sich in die Oberfläche des Materials eingraben, und die Schleifscheibe kann aus dem Werkstück „herausklettern“ oder es kann ein Rückschlag verursacht werden. Die Schleifscheibe kann entweder zum Bediener hin oder von ihm weg springen - je nach Bewegungsrichtung der Schleifscheibe an der Einklemmstelle. Schleifscheiben können unter diesen Bedingungen auch brechen.

Ein Rückschlag ist das Resultat eines Mißbrauchs und/oder einer falschen Bedienung des Elektrowerkzeugs oder von falschen Bedingungen und kann durch die entsprechenden unten angegebenen Vorsichtsmaßnahmen vermieden werden.

- ◆ **Halten Sie das Elektrowerkzeug fest im Griff und positionieren Sie Ihren Körper und den Arm so, daß Sie Rückschlagkräften widerstehen können.**
Verwenden Sie stets den Zusatzhandgriff, falls vorhanden, um eine maximale Kontrolle über den Rückschlag bzw. über die Drehmomentreaktion beim Starten zu haben. Der Bediener kann die Reaktionen auf das Drehmoment oder Rückschläge kontrollieren, wenn entsprechende Vorsichtsmaßnahmen getroffen werden.
- ◆ **Bringen Sie Ihre Hand niemals in der Nähe des sich drehenden Zubehörs.** Das Zubehör kann einen Rückschlag über Ihre Hand bewirken.
- ◆ **Positionieren Sie Ihren Körper nicht in dem Bereich, in dem sich das Elektrowerkzeug bewegt, wenn ein Rückschlag eintritt.** Ein Rückschlag treibt das Werkzeug zum Zeitpunkt des Einklemmens in Gegenrichtung zur Drehrichtung der Scheibe.
- ◆ **Gehen Sie beim Bearbeiten von Ecken, scharfen Kanten, usw. besonders vorsichtig vor. Vermeiden Sie ein Prellen und Einklemmen des Zubehörs.** Ecken, scharfe Kanten oder ein Prellen haben die Tendenz, das sich drehende Zubehör einzuklemmen und bewirken einen Kontrollverlust bzw. Rückschlag.
- ◆ **Bringen Sie keine Sägeketten-Holzschnitzklinge oder ein bezahntes Sägeblatt an.** Derartige Sägeblätter bewirken einen häufigen Rückschlag und führen zum Kontrollverlust.

Zusätzliche Sicherheitshinweise für Schleif- und Trennarbeiten

Zusätzliche Warnhinweise für Schleif- und Trennarbeiten

- ◆ **Verwenden Sie nur Scheibentypen, die für Ihr Elektrowerkzeug empfohlen sind sowie die für die ausgewählte Scheibe vorgesehene Schutzvorrichtung.** Scheiben, für die das Elektrowerkzeug nicht konstruiert wurde, können nicht angemessen geschützt werden und sind unsicher.
- ◆ **Die Schutzvorrichtung muss sicher am Elektrowerkzeug befestigt und so positioniert sein, dass die maximale Sicherheit erzielt wird, d.h. dass der Bediener der Scheibe so wenig wie möglich ausgesetzt ist.** Die Schutzvorrichtung trägt dazu bei, dass der Bediener vor gebrochenen Scheibenfragmenten sowie einem versehentlichen Kontakt mit der Scheibe geschützt wird.
- ◆ **Die Scheiben dürfen nur für die empfohlenen Einsätze verwendet werden. Beispiel: schleifen Sie nicht mit der Seite einer Trennscheibe.** Trennscheiben trennen durch Schleifen am Scheibenumfang; werden seitliche Kräfte an diesen Scheiben angewandt, kann dies die Scheiben zertrümmern.
- ◆ **Verwenden Sie stets unbeschädigte Scheibenflansche der richtigen Größe und Form für Ihre ausgewählte Scheibe.** Richtige Scheibenflansche stützen die Scheibe und verringern dadurch die Möglichkeit eines Scheibenbruchs. Flansche für Trennscheiben können sich von Flanschen für Schleifscheiben unterscheiden.
- ◆ **Verwenden Sie keine verschlissenen Scheiben von größeren Elektrowerkzeugen.** Eine Scheibe, die für ein größeres Elektrowerkzeug vorgesehen ist, ist nicht für die höhere Geschwindigkeit eines kleineren Werkzeugs geeignet und kann zerspringen.

Zusätzliche Warnhinweise, die speziell Trennschleifarbeiten betreffen

- ◆ **„Verklemmen“ Sie die Trennscheibe nicht und üben Sie keinen übermäßigen Druck aus. Versuchen Sie nicht, einen übermäßig tiefen Schnitt zu machen.**
Durch eine Überbeanspruchung der Scheibe wird die Belastung und die Anfälligkeit auf Verdrehen bzw. Festfressen der Scheibe im Schnitt sowie die Möglichkeit eines Rückschlags oder Scheibenbruchs erhöht.

- ◆ **Positionieren Sie Ihren Körper nicht in einer Linie und hinter der sich drehenden Scheibe.** Bewegt sich die Scheibe am Einsatzpunkt von Ihrem Körper weg, kann der mögliche Rückschlag die sich drehende Scheibe und das Elektrowerkzeug direkt auf Sie zubewegen.
- ◆ **Wenn die Scheibe hängen bleibt oder wenn ein Schnitt aus irgendeinem Grund unterbrochen wird, schalten Sie das Elektrowerkzeug aus und halten Sie es bewegungslos, bis die Scheibe vollkommen zum Stillstand gekommen ist. Versuchen Sie niemals, die Trennscheibe aus dem Schnitt zu entfernen, während die Scheibe in Bewegung ist.** Andernfalls kann ein Rückschlag auftreten. Untersuchen Sie den Fall und treffen Sie Abhilfemaßnahmen, um die Ursache des Hängens der Scheibe zu beseitigen.
- ◆ **Starten Sie den Schnitt im Werkstück nicht neu.** Lassen Sie die Scheibe ihre volle Geschwindigkeit erreichen und führen Sie das Werkzeug wieder in den Schnitt ein. Die Scheibe kann hängen bleiben, nach oben wandern oder zurückschlagen, wenn das Elektrowerkzeug im Werkstück neu gestartet wird.
- ◆ **Stützen Sie Paneele oder Werkstücke mit Übergröße ab, um die Gefahr zu verringern, daß die Scheibe eingeklemmt wird und ein Rückschlag auftritt.** Große Werkstücke haben die Tendenz, durch ihr Eigengewicht durchzusacken. Unter dem Werkstück in der Nähe der Schnittlinie und in der Nähe der Werkstückkante müssen auf beiden Seiten der Scheibe Stützen platziert werden.
- ◆ **Gehen Sie besonders vorsichtig vor, wenn ein „Taschenschnitt“ in vorhandene Wände oder andere blinde Bereiche durchgeführt wird.** Die hervorstehende Scheibe könnte Gas- oder Wasserleitungen, elektrische Leitungen oder andere Gegenstände durchtrennen, die einen Rückschlag verursachen.

Spezielle Sicherheitshinweise für Schleifarbeiten

- ◆ **Verwenden Sie kein zu großes Schleifscheibepapier.** Befolgen Sie bei der Wahl des Schleifpapiers die Empfehlungen des Herstellers. Größeres Schleifpapier, das über den Schleifteller hinaus hervorsteht, stellt eine Schnittwundengefahr dar und kann zum Hängenbleiben, zum Reißen oder zu einem Rückschlag führen.

Spezielle Sicherheitshinweise für Polierarbeiten

- ◆ **Vermeiden Sie, daß sich lose Teile der Polierhaube oder seiner Befestigungsschnüre frei drehen können.** Schlagen Sie lose Befestigungsschnüre ein oder kürzen Sie sie. Lose oder sich drehende Befestigungsschnüre können sich mit Ihren Fingern verfangen oder auf dem Werkstück hängen bleiben.

Spezielle Sicherheitshinweise für Drahtbürstarbeiten

- ◆ **Seien Sie sich darüber im Klaren, daß einzelne Borsten auch bei normaler Arbeit abfliegen.** Überlasten Sie die Drähte nicht durch Ausüben einer zu hohen Belastung auf die Bürste. Die Drahtborsten können ohne Weiteres in leichte Kleidung und/oder die Haut eindringen.
- ◆ **Falls die Verwendung einer Schutzvorrichtung für Drahtbürstarbeiten empfohlen wird, verhindern Sie eine Behinderung der Drahtbürstenscheibe oder Bürste durch die Schutzvorrichtung.** Drahtbürstenscheiben oder Bürsten können sich aufgrund der Belastung und der Zentrifugalkräfte im Durchmesser vergrößern.

Sicherheit anderer Personen

- ◆ Dieses Gerät darf nicht von Personen (einschließlich Kindern) mit eingeschränkten körperlichen, sensorischen oder geistigen Fähigkeiten verwendet werden. Auch darf es nicht von Personen verwendet werden, die keine Erfahrung mit dem Gerät oder Kenntnis darüber haben, es sei denn, sie stehen beim Gebrauch unter der Aufsicht und Anleitung einer für deren Sicherheit verantwortlichen Person.
- ◆ Kinder müssen beaufsichtigt werden, um sicherzustellen, daß sie nicht mit dem Gerät spielen.

Vibrationen

Die angegebenen Vibrationswerte in den Technischen Daten und der Konformitätserklärung wurden gemäß einer standardisierten und durch EN 60745 festgelegten Prüfmethode gemessen und können herangezogen werden, um ein Werkzeug mit einem anderen zu vergleichen.

Der angegebene Vibrationswert kann auch für eine vorläufige Einstufung der Freisetzung herangezogen werden.

Achtung! Der Vibrationswert beim eigentlichen Gebrauch des Elektrowerkzeugs kann vom angegebenen Wert abweichen.

Dies hängt davon ab, auf welche Weise das Werkzeug verwendet wird. Der Vibrationswert kann über den angegebenen Wert hinaus ansteigen.

Bei der Einstufung der Vibrationen zur Festlegung der von 2002/44/EG geforderten Sicherheitsmaßnahmen zum Schutz von Personen, die beruflich regelmäßig mit Elektrowerkzeugen arbeiten, muß eine Vibrationseinstufung die tatsächlichen Gebrauchsbedingungen und die Art und Weise berücksichtigen, wie das Werkzeug verwendet wird. Auch müssen alle Aspekte des Arbeitszyklus berücksichtigt werden, wie beispielsweise die Zeiten, in denen das Werkzeug aus- und eingeschaltet ist und im Leerlauf läuft.

Schilder auf dem Gerät



Achtung! Um die Verletzungsgefahr zu verringern, muß der Benutzer die Bedienungsanleitung lesen.



Tragen Sie bei der Verwendung dieses Geräts eine Schutzbrille!



Tragen Sie bei der Verwendung dieses Geräts einen Gehörschutz!

Elektrische Sicherheit



Dieses Gerät ist schutzisoliert, daher ist keine Erdleitung erforderlich. Überprüfen Sie immer, ob die Netzspannung der auf dem Typenschild des Elektrowerkzeuges angegebenen Spannung entspricht.

- ◆ Falls das Netzkabel beschädigt ist, so ist es vom Hersteller oder einem autorisierten Black & Decker Service Center auszutauschen, um Gefahren vorzubeugen.

Merkmale

Ihr Gerät verfügt über die folgenden Merkmale bzw. Einige davon:

1. Ein-/Aus-Schalter
2. Seitenhandgriff
3. Spindelarretierung
4. Schutzvorrichtung

Montage

Achtung! Vergewissern Sie sich vor der Montage, daß das Gerät ausgeschaltet ist und daß der Netzstecker gezogen wurde.

Anbringen und Entfernen der Schutzvorrichtung (Abb. A & B)

Das Werkzeug wird mit einer Schutzvorrichtung ausgeliefert, die nur für Schleifarbeiten gedacht ist. Falls mit dem Gerät Trennschneidarbeiten durchgeführt werden sollen, so muss eine speziell für diesen Zweck konstruierte Schutzvorrichtung angebracht werden. Eine geeignete Schutzvorrichtung für Trennschneidarbeiten mit der Teilenummer 1004484-00 ist bei den Black & Decker Servicecentern erhältlich.

Anbringen

- ◆ Legen Sie das Gerät mit der Spindel (5) nach oben weisend auf einen Tisch.
- ◆ Legen Sie den Federring (6) über die Spindel und auf den Ansatz (7).
- ◆ Bringen Sie die Schutzvorrichtung (4) gemäß der Abbildung am Gerät an.
- ◆ Legen Sie den Flansch (8) mit den herausragenden Stiften zur Schutzvorrichtung weisend über die Spindel.
Stellen Sie sicher, daß die Bohrungen im Flansch genau über den Schraubenbohrungen liegen.
- ◆ Befestigen Sie den Flansch mit den Schrauben (9). Sorgen Sie dafür, daß die Schrauben fest angezogen sind und die Schutzvorrichtung gedreht werden kann.

Entfernen

- ◆ Entfernen Sie die Schrauben (9) mit einem Schraubendreher.
- ◆ Entfernen Sie den Flansch (8), die Schutzvorrichtung (4) und den Federring (7). Bewahren Sie diese Teile sorgfältig auf.

Achtung! Verwenden Sie das Gerät nie ohne den Handschutz.

Anbringen des Seitenhandgriffs

- ◆ Schrauben Sie den Seitenhandgriff (2) in eines der Befestigungslöcher im Gerät.

Achtung! Verwenden Sie stets den Seitenhandgriff.

Anbringen und Entfernen der Schleif- bzw. Trennscheiben (Abb. C - E)

Verwenden Sie stets den richtigen Scheibentyp für Ihre Anwendung. Verwenden Sie stets Scheiben

mit dem richtigen Durchmesser und der richtigen Bohrungsgröße (siehe technische Daten).

Anbringen

- ◆ Bringen Sie die Schutzvorrichtung wie oben beschrieben an.
- ◆ Setzen Sie den Innenflansch (10) gemäß Abbildung auf die Spindel (5) (Abb. C). Stellen Sie sicher, daß der Flansch richtig auf den Flachseiten der Spindel sitzt.
- ◆ Setzen Sie die Scheibe (11) gemäß Abbildung auf die Spindel (5) (Abb. C). Falls die Scheibe eine Mittenerhebung (12) aufweist, stellen Sie sicher, daß die Mittenerhebung zum Innenflansch weist.
- ◆ Stellen Sie sicher, daß die Scheibe richtig auf dem Innenflansch sitzt.
- ◆ Setzen Sie den Außenflansch (13) auf die Spindel. Beim Anbringen einer Schleifscheibe muß die Mittenerhebung am Außenflansch zur Scheibe weisen (A in Abb. D). Beim Anbringen einer Trennscheibe muß die Mittenerhebung am Außenflansch von der Scheibe wegweisen (B in Abb. D).
- ◆ Halten Sie die Spindelarretierung (3) gedrückt, und ziehen Sie den Außenflansch mit dem Gabelschlüssel (14) an (Abb. E).

Entfernen

- ◆ Halten Sie die Spindelarretierung (3) gedrückt, und lösen Sie den Außenflansch (13) mit dem Gabelschlüssel (14) (Abb. E).
- ◆ Entfernen Sie den Außenflansch (13) und die Scheibe (11).

Anbringen und Entfernen von Schleifpapierscheiben (Abb. E & F)

Zum Schleifen mit Schleifpapierscheiben ist ein Schleifteller erforderlich. Der Schleifteller ist bei Ihrem Black & Decker Händler als Zubehör erhältlich.

Anbringen

- ◆ Setzen Sie den Innenflansch (10) gemäß Abbildung auf die Spindel (5) (Abb. F). Stellen Sie sicher, daß der Flansch richtig auf den Flachseiten der Spindel sitzt.
- ◆ Setzen Sie den Schleifteller (15) auf die Spindel.
- ◆ Setzen Sie die Schleifpapierscheibe (16) auf den Schleifteller.
- ◆ Setzen Sie den Außenflansch (13) mit der Mittenerhebung von der Scheibe wegweisend auf die Spindel.

- ◆ Halten Sie die Spindelarretierung (3) gedrückt, und ziehen Sie den Außenflansch mit dem Gabelschlüssel (14) an (Abb. E). Vergewissern Sie sich, daß der Außenflansch richtig angebracht und die Scheibe fest eingespannt ist.

Entfernen

- ◆ Halten Sie die Spindelarretierung (3) gedrückt, und lösen Sie den Außenflansch (13) mit dem Gabelschlüssel (14) (Abb. E).
- ◆ Entfernen Sie den Außenflansch (13), die Schleifpapierscheibe (16) und den Schleifteller (15).

Restrisiken

Für den Gebrauch dieses Geräts verbleiben zusätzliche Restrisiken, die möglicherweise nicht in den Sicherheitswarnungen genannt werden. Diese Risiken bestehen beispielsweise bei Missbrauch oder längerem Gebrauch. Auch bei der Einhaltung der entsprechenden Sicherheitsvorschriften und der Verwendung aller Sicherheitsgeräte bestehen weiterhin bestimmte Restrisiken. Diese werden im Folgenden aufgeführt:

- ◆ Verletzungen, die durch das Berühren von sich drehenden/bewegenden Teilen verursacht werden.
- ◆ Verletzungen, die durch das Austauschen von Teilen, Messern oder Zubehör verursacht werden.
- ◆ Verletzungen, die durch längeren Gebrauch eines Geräts verursacht werden. Legen Sie bei längerem Gebrauch regelmäßige Pausen ein.
- ◆ Beeinträchtigung des Gehörs.
- ◆ Gesundheitsrisiken durch das Einatmen von Staub beim Gebrauch des Geräts (Beispielsweise bei Holzarbeiten, insbesondere Eiche, Buche und Pressspan).

Gebrauch

Achtung! Beschleunigen Sie den Arbeitsvorgang nicht mit Gewalt. Vermeiden Sie eine Überlastung des Gerätes.

- ◆ Führen Sie das Kabel sorgfältig, damit Sie es nicht versehentlich durchschneiden.
- ◆ Seien Sie auf ein Funkensprühen vorbereitet, sobald die Schleif- bzw. Trennscheibe das Werkstück berührt.
- ◆ Halten Sie das Werkzeug stets in einer Lage, in der die Schutzvorrichtung einen optimalen Schutz vor der Schleif- bzw. Trennscheibe bietet.

Ein- und Ausschalten

- ◆ Zum Einschalten schieben Sie den Ein-/Ausschalter (1) nach vorn. Beachten Sie, daß das Gerät nach dem Loslassen des Ein-/Ausschalters eingeschaltet bleibt.
- ◆ Zum Ausschalten drücken Sie auf den hinteren Teil des Ein-/Ausschalters.

Achtung! Schalten Sie das Gerät nicht unter Last aus.

Hinweise für optimale Arbeitsergebnisse

- ◆ Halten Sie das Gerät sicher mit der einen Hand am Seitenhandgriff und mit der anderen Hand am Haupthandgriff fest.
- ◆ Behalten Sie beim Schleifen immer einen Winkel von ca. 15 Grad zwischen der Scheibe und der Werkstückfläche bei.

Wartung

Ihr netz- oder akkubetriebenes Black & Decker Gerät/ Werkzeug wurde im Hinblick auf eine lange Lebensdauer und einen möglichst geringen Wartungsaufwand entwickelt.

Ein dauerhafter, einwandfreier Betrieb setzt eine regelmäßige Pflege und Reinigung voraus.

Achtung! Vor der Durchführung von Wartungsarbeiten an Elektrogeräten/-werkzeugen mit oder ohne Netzleitung:

- ◆ Schalten Sie das Gerät/Werkzeug aus und ziehen Sie den Netzstecker.
- ◆ Oder schalten Sie das Gerät aus und entfernen Sie den Akku aus dem Gerät/Werkzeug, falls das Gerät/Werkzeug einen eigenen Akku hat.
- ◆ Oder lassen Sie den Akku vollkommen leerlaufen, falls dieser im Gerät eingebaut ist. Schalten Sie das Gerät dann aus.
- ◆ Ziehen Sie den Netzstecker des Ladegeräts aus der Steckdose, bevor Sie es reinigen. Ihr Ladegerät bedarf keinerlei Wartung außer einer regelmäßigen Reinigung.
- ◆ Reinigen Sie regelmäßig die Lüftungsschlitze im Gerät/ Werkzeug/Ladegerät mit Hilfe einer weichen Bürste oder eines trockenen Lappens.
- ◆ Reinigen Sie regelmäßig das Motorgehäuse mit Hilfe eines feuchten Lappens. Verwenden Sie keine scheuernden Reinigungsmittel oder Reinigungsmittel auf Lösungsmittelbasis.
- ◆ Reinigen Sie regelmäßig das Spannfutter (falls angebracht), indem Sie es öffnen und durch leichtes Klopfen den Staub aus dem Inneren entfernen.

Umweltschutz



Getrennte Entsorgung. Dieses Produkt darf nicht über den normalen Hausmüll entsorgt werden.

Sollte Ihr Black & Decker Produkt eines Tages erneuert werden müssen, oder falls Sie es nicht weiter verwenden wollen, so darf es nicht über den Hausmüll entsorgt werden. Stellen Sie dieses Produkt zur getrennten Entsorgung bereit.



Durch die getrennte Entsorgung gebrauchter Produkte und Verpackungen können die Materialien recycelt und wiederverwertet werden. Die Wiederverwertung recycelter Materialien schont die Umwelt und verringert die Nachfrage nach Rohstoffen.

Die regionalen Bestimmungen schreiben unter Umständen die getrennte Entsorgung elektrischer Produkte aus dem Haushalt an Sammelstellen oder seitens des Händlers vor, bei dem Sie das neue Produkt erworben haben.

Black & Decker nimmt Ihre ausgedienten Black & Decker Geräte gern zurück und sorgt für eine umweltfreundliche Entsorgung und Wiederverwertung. Um diesen Dienst zu nutzen, schicken Sie bitte Ihr Produkt zu einer Vertragswerkstatt. Hier wird es dann auf unsere Kosten gesammelt.

Die Adresse der zuständigen Black & Decker Vertretung steht in diesem Handbuch, darüber läßt sich die nächstgelegene Vertragswerkstatt ermitteln. Außerdem ist eine Liste der Vertragswerkstätten und aller Kundendienststellen von Black & Decker sowie der zuständigen Ansprechpartner im Internet zu finden unter: www.2helpU.com

Technische Daten

		AST15	KG725	KG900
		TYPE 3	TYPE 3	TYPE 3
Spannung	V _{AC}	230	230	230
Leistungsaufnahme	W	900	701	900
Leerlaufdrehzah	min ⁻¹	10,000	10,000	10,000
Scheibendurchmesser	mm	115	125	100
Scheibenbohrung	mm	22	22	16
Maximal				
Scheibenstärke				
Schleifscheiben	mm	6	6	6
Trennscheiben	mm	3.5	3.5	3.5
Spindelgröße	mm	M14	M14	M10
Gewicht	kg	2.1	2.1	2.1

		KG915 TYPE 3	KG925 TYPE 3
Spannung	V _{AC}	230	230
Leistungsaufnahme	W	900	900
Leerlaufdrehzahl min ⁻¹	min ⁻¹	10,000	10,000
Scheibendurch- messer	mm	115	125
Scheibenbohrung	mm	22	22
Maximal Scheibenstärke			
Schleifscheiben	mm	6	6
Trennscheiben	mm	3.5	3.5
Spindelgröße	mm	M14	M14
Gewicht	kg	2.1	2.1

Schalldruckpegel nach EN 60745:

Schalldruck (L_{pA}) 91 dB(A), Unsicherheit (K) 3 dB(A)
Schalleistung (L_{WA}) 102 dB(A), Unsicherheit (K) 3 dB(A)

Gesamtvibrationswerte (Triax-Vektorsumme) gemäß EN 60745:

Oberflächenschleifen (a_{h,AG}) 7 m/s², Unsicherheitsfaktor (K) 1,5 m/s²
Trennarbeiten (a_h) 2,5 m/s², Unsicherheitsfaktor (K) 1,5 m/s²

EG-Konformitätserklärung MASCHINENRICHTLINIE



AST15, KG725, KG900, KG915, KG925

Black & Decker erklärt, dass die unter „Technische Daten“ beschriebenen Produkte den folgenden Normen entsprechen:
2006/42/EC, EN60745-1, EN60745-2-3

Diese Produkte entsprechen außerdem den Richtlinien 2004/108/EG und 2011/65/EU.

Weitere Informationen erhalten Sie von Black & Decker unter der folgenden Adresse bzw. mithilfe der Angaben auf der Rückseite dieser Anleitung.

Der Unterzeichnete ist verantwortlich für die Zusammenstellung der technischen Daten und gibt diese Erklärung im Namen von Black & Decker ab.

K. Hewitt

Kevin Hewitt

Vice-President Global Engineering
Black & Decker Europe, 210 Bath Road, Slough,
Berkshire, SL1 3YD
Großbritannien
23/03/2012

Garantie

Black & Decker vertraut auf die Qualität der eigenen Geräte und bietet dem Käufer eine außergewöhnliche Garantie.

Diese Garantiezusage versteht sich unbeschadet der gesetzlichen Gewährleistungsansprüche und schränkt diese keinesfalls ein. Sie gilt in sämtlichen Mitgliedsstaaten der Europäischen Union und der Europäischen Freihandelszone EFTA.

Tritt innerhalb von 24 Monaten ab Kaufdatum an einem Gerät von Black & Decker ein auf Material- oder Verarbeitungsfehler zurückzuführender Mangel auf, garantiert Black & Decker den Austausch defekter Teile, die Reparatur von Geräten mit üblichem Verschleiß bzw. Den Austausch eines mangelhaften Geräts, ohne dass dem Kunden dabei mehr als unvermeidlich Unannehmlichkeiten entstehen, allerdings vorbehaltlich folgender Ausnahmen:

- ◆ wenn das Gerät gewerblich, beruflich oder im Verleihgeschäft benutzt wurde;
- ◆ wenn das Gerät mißbräuchlich verwendet oder mit mangelnder Sorgfalt behandelt wurde;
- ◆ wenn das Gerät durch irgendwelche Fremdeinwirkung beschädigt wurde;
- ◆ wenn ein unbefugter Reparaturversuch durch anderes Personal als das einer Vertragswerkstatt oder des Black & Decker-Kundendienstes unternommen wurde.

Zur Inanspruchnahme dieser Garantie ist dem Verkäufer bzw. der Vertragswerkstatt ein Kaufnachweis vorzulegen. Der Kaufnachweis muß Kaufdatum und Gerätetyp bescheinigen. Die Adresse des zuständigen Büros von Black & Decker steht in dieser Anleitung, darüber läßt sich die nächstgelegene Vertragswerkstatt ermitteln. Außerdem ist eine Liste der Vertragswerkstätten und aller Kundendienststellen von Black & Decker sowie der zuständigen Ansprechpartner im Internet zu finden unter: **www.2helpU.com**

Bitte besuchen Sie unsere Webseite **www.blackanddecker.de**, um Ihr neues Black & Decker-Produkt zu registrieren und über neue Produkte und Sonderangebote informiert zu werden. Weitere Informationen über die Marke Black & Decker und unsere Produkte finden Sie unter **www.blackanddecker.de**.

Utilisation prévue

Votre meuleuse d'angle Black & Decker a été conçue pour meuler et découper le métal et le béton avec des disques de tronçonnage ou de meulage spécifiques. Équipé du carter de protection approprié, cet outil est réservé à un usage domestique.

Instructions de sécurité

Consignes de sécurité générales pour les outils électriques



Attention! Prenez connaissance de tous les avertissements de sécurité et de toutes les instructions. Le non-respect de cette consigne peut entraîner une électrocution, un incendie et/ou de graves blessures

Conservez tous les avertissements et instructions pour référence future. La notion d'« outil électroportatif » mentionnée par la suite se rapporte à des outils électriques raccordés au secteur (avec câble de raccordement) ou fonctionnant sur piles (sans fil).

1. Sécurité de la zone de travail

- a. **Maintenez la zone de travail propre et bien éclairée.** Un lieu de travail en désordre ou mal éclairé augmente le risque d'accidents.
- b. **N'utilisez pas les outils électroportatifs dans un environnement présentant des risques d'explosion ni en présence de liquides, gaz ou poussières inflammables.** Les outils électroportatifs génèrent des étincelles risquant d'enflammer les poussières ou les vapeurs.
- c. **Tenez les enfants et autres personnes éloignés durant l'utilisation de l'outil électroportatif.** En cas d'inattention, vous risquez de perdre le contrôle sur l'outil.

2. Sécurité électrique

- a. **La fiche de secteur de l'outil électroportatif doit convenir à la prise de courant. Ne modifiez en aucun cas la fiche. N'utilisez pas de fiches d'adaptateur avec des outils ayant une prise de terre.** Les fiches non modifiées et les prises de courant appropriées réduisent le risque d'électrocution.
- b. **Évitez le contact physique avec des surfaces mises à la terre telles que tuyaux, radiateurs, fours et réfrigérateurs.** Il y a un risque élevé d'électrocution si votre corps est relié à la terre.
- c. **N'exposez pas l'outil électroportatif à la pluie ni à l'humidité.** La pénétration d'eau

dans un outil électroportatif augmente le risque d'électrocution.

- d. **Préservez le câble d'alimentation. N'utilisez pas le câble à d'autres fins que celles prévues, notamment pour porter l'outil, l'accrocher voire le débrancher de la prise de courant. Maintenez le câble éloigné des sources de chaleur, des parties grasses, des bords tranchants ou des parties de l'outil en rotation.** Un câble endommagé ou enchevêtré augmente le risque d'électrocution.
- e. **Si vous utilisez l'outil électroportatif à l'extérieur, utilisez une rallonge homologuée pour utilisation à l'air libre.** L'utilisation d'une rallonge électrique homologuée pour les applications extérieures réduit le risque d'électrocution.
- f. **Si l'usage d'un outil dans un emplacement humide est inévitable, utilisez une alimentation protégée par un dispositif à courant différentiel résiduel (RCD).** L'usage d'un RCD réduit le risque de choc électrique.

3. Sécurité personnelle

- a. **Restez vigilant, surveillez ce que vous faites. Faites preuve de bon sens quand vous utilisez l'outil électroportatif. N'utilisez pas l'outil lorsque vous êtes fatigué ou après avoir consommé de l'alcool, des drogues voire des médicaments.** Un moment d'inattention lors de l'utilisation de l'outil peut entraîner de graves blessures.
- b. **Utilisez un équipement de protection personnelle. Portez toujours une protection pour les yeux.** Les équipements de protection personnelle tels que les masques anti-poussières, chaussures de sécurité antidérapantes, casques ou protections acoustiques utilisés dans des conditions appropriées réduisent les blessures.
- c. **Évitez toute mise en marche involontaire. Vérifiez que l'interrupteur est en position arrêt avant de brancher l'outil au secteur ou au bloc de batteries, de le prendre ou de le porter.** Transporter les outils en avec le doigt sur l'interrupteur ou les brancher avec l'interrupteur en position de marche est une source d'accidents.
- d. **Enlevez tout outil ou clé de réglage avant de mettre l'outil en marche.** Une clé ou un outil se trouvant sur une partie en rotation peut causer des blessures.
- e. **Adoptez une position confortable. Adoptez une position stable et gardez votre équilibre à tout moment.** Vous contrôlerez mieux l'outil dans des situations inattendues.

- f. **Portez des vêtements appropriés. Ne portez pas de vêtements flottants ou de bijoux. N'approchez pas les cheveux, vêtements ou gants des parties des pièces mobiles.** Les vêtements amples, les bijoux ou les cheveux longs peuvent être attrapés dans les pièces en mouvement.
- g. **Si des dispositifs servant à aspirer ou à recueillir les poussières doivent être utilisés, vérifiez qu'ils sont correctement raccordés et utilisés.** L'utilisation de tels appareils permet de réduire les dangers liés aux poussières.
4. **Utilisation des outils électroportatifs et précautions**
- a. **Ne surchargez pas l'outil. Utilisez l'outil électroportatif approprié pour le travail à effectuer.** Avec l'outil électroportatif approprié, vous travaillerez mieux et avec plus de sécurité à la vitesse pour laquelle il a été conçu.
- b. **N'utilisez pas un outil électroportatif dont l'interrupteur est défectueux.** Un outil électroportatif qui ne peut plus être mis en ou hors fonctionnement est dangereux et doit être réparé.
- c. **Déconnectez la prise de la source d'alimentation ou le pack-batterie de l'outil électrique avant tout réglage, changement d'accessoire voire rangement des outils électriques.** Cette mesure de précaution empêche une mise en marche par mégarde.
- d. **Rangez les outils électroportatifs hors de portée des enfants. Ne laissez pas les personnes n'étant pas familiarisées avec l'outil ou n'ayant pas lu ces instructions l'utiliser.** Les outils électroportatifs sont dangereux lorsqu'ils sont utilisés par des personnes non initiées.
- e. **Prenez soin des outils électroportatifs. Vérifiez que les parties en mouvement fonctionnent correctement et qu'elles ne sont pas coincées ; vérifiez qu'il n'y a pas de pièces cassées ou endommagées susceptibles de nuire au bon fonctionnement de l'outil. S'il est endommagé, faites réparer l'outil avant de l'utiliser.**
De nombreux accidents sont dus à des outils électroportatifs mal entretenus.
- f. **Maintenez les outils de coupe aiguisés et propres.** Des outils soigneusement entretenus avec des bords tranchants bien aiguisés se coincent moins souvent et peuvent être guidés plus facilement.
- g. **Utilisez l'outil électrique, les accessoires et forets, etc. conformément à ces instructions, en tenant compte des conditions de travail et des tâches à effectuer.**

L'utilisation des outils électroportatifs à d'autres fins que celles prévues peut entraîner des situations dangereuses.

5. Réparations

- a. **Faites réparer votre outil électroportatif uniquement par du personnel qualifié et seulement avec des pièces de rechange d'origine.** La fiabilité de l'outil sera ainsi maintenue.

Avertissements de sécurité additionnels pour les outils électriques



Attention! Avertissements de sécurité additionnels pour les opérations de meulage, de ponçage, de brosse, de polissage ou de tronçonnage par abrasion.

- ◆ **Cet outil électrique est conçu pour être utilisé comme une meuleuse, une ponceuse, une brosse métallique, une polisseuse et une tronçonneuse. Lisez tous les avertissements de sécurité, instructions, illustrations et spécifications fournis avec cet outil électrique.**
Le non-respect des instructions indiquées ci-dessous peut entraîner une électrocution, un incendie ou de graves blessures.
- ◆ **Les opérations pour lesquelles cet outil électrique n'a pas été conçu sont des sources de dangers et de blessures.**
- ◆ **Utilisez uniquement les accessoires spécifiquement conçus et recommandés par le fabricant de l'outil.** Il ne suffit pas qu'un accessoire soit adaptable sur votre outil électrique pour assurer son utilisation en toute sécurité.
- ◆ **La vitesse nominale de l'accessoire doit être au moins égale à la vitesse maximum mentionnée sur l'outil électrique.** Les accessoires dépassant leur vitesse nominale peuvent se rompre et être projetés.
- ◆ **Le diamètre extérieur et l'épaisseur de votre accessoire doivent respecter la capacité nominale de votre outil électrique.** Des accessoires d'une taille incorrecte ne peuvent bénéficier d'une protection et d'un contrôle adéquats.
- ◆ **L'alésage des roues, brides, tampons de support ou autres accessoires doit s'adapter correctement à l'axe de l'outil électrique.** Les accessoires dont l'alésage ne correspond pas au système de fixation de l'outil électrique sont déséquilibrés, vibrent excessivement et peuvent causer une perte de contrôle.

- ◆ **N'utilisez pas un accessoire endommagé. Avant chaque utilisation, vérifiez l'état de l'accessoire:**
disque abrasif ébréché ou fissuré, tampon de support fissuré, usure ou dégâts excessifs, brosse métallique aux fils libres ou cassés. Si l'outil électrique ou l'accessoire tombe, vérifiez son état ou installez un accessoire en parfait état. Après l'inspection et l'installation d'un accessoire, faites marcher l'outil électrique à la vitesse maximum à vide pendant une minute. Un accessoire endommagé casse normalement après ce délai de test.
 - ◆ **Portez un équipement de protection personnelle. Selon l'application, utilisez un écran facial, un masque de sécurité ou des lunettes de sécurité. Selon les besoins, portez un masque anti-poussière, une protection auditive, des gants et un tablier d'atelier capable de stopper de petits fragments générés par l'abrasion ou de la pièce à ouvrir.** La protection oculaire doit pouvoir arrêter les débris projetés par les diverses opérations. Le masque anti-poussière ou le respirateur doit pouvoir filtrer les particules générées par l'opération.
 Une exposition prolongée à des bruits d'une intensité élevée peut engendrer une perte de l'audition.
 - ◆ **Maintenez les passants à distance de sécurité de la zone de travail. Quiconque pénétrant dans la zone de travail doit porter un équipement de protection personnelle.** Des fragments de pièce à ouvrir ou un accessoire cassé peuvent être projetés et blesser au-delà de la zone de travail immédiate.
 - ◆ **Tenez l'outil électroportatif au niveau des surfaces de prise isolées car il est possible que la semelle/ bande de ponçage soient en contact avec le câble.** En coupant un fil sous tension, la charge électrique passe dans les parties métalliques de l'outil électroportatif et il y a risque de choc électrique.
 - ◆ **Positionnez le cordon à l'écart de l'accessoire en rotation.** Si vous perdez le contrôle, le cordon peut être coupé ou attrapé et votre main ou votre bras être attiré dans l'accessoire en rotation.
 - ◆ **Ne posez jamais l'outil électrique tant que l'accessoire ne s'est pas arrêté complètement.** L'accessoire en rotation peut toucher la surface et faire échapper l'outil électrique à votre contrôle.
 - ◆ **N'utilisez pas l'outil électrique en le tenant à vos côtés.** Un contact accidentel avec l'accessoire en rotation pourrait attraper vos vêtements et attirer l'accessoire vers votre corps.
 - ◆ **Nettoyez régulièrement les fentes de ventilation de l'outil électrique.** Le ventilateur du moteur attire la poussière à l'intérieur du carter et une accumulation excessive de poudre métallique est une source de dangers électriques.
 - ◆ **N'utilisez pas l'outil électrique près de matériaux inflammables.** Des étincelles pourraient enflammer ces matériaux.
 - ◆ **N'utilisez aucun accessoire nécessitant un liquide de refroidissement.** L'emploi d'eau ou d'autres liquides de refroidissement peut occasionner une électrocution ou un choc.
- Remarque:** l'avertissement précédent ne concerne pas les outils électriques spécialement conçus pour être utilisés avec un système liquide.
- Contrecoup et avertissements associés**
 Le contrecoup est une réaction soudaine d'un disque, d'un tampon de support, d'une brosse ou de tout autre accessoire en rotation pincé ou attrapé. Le pincement ou le blocage entraîne un calage rapide de l'accessoire en rotation ce qui provoque une perte de contrôle de l'outil électrique qui est forcé dans le sens opposé à la rotation de l'accessoire à l'endroit du blocage.
- Par exemple, si un disque abrasif est attrapé ou pincé par la pièce à ouvrir, le bord du disque inséré dans le point de pincement peut s'enfoncer dans la surface du matériau, faisant sauter ou remonter le disque. Le disque peut être soit projeté en avant, soit s'éloigner de l'opérateur, selon le sens de rotation du disque à l'endroit du pincement. Dans ces conditions, un disque abrasif peut même se casser.
- Le contrecoup est le résultat d'une utilisation inappropriée de l'outil électrique voire de procédures ou de conditions d'utilisation incorrectes. Il peut être évité en appliquant les précautions adéquates, décrites ci-dessous:
- ◆ **Maintenez une prise ferme sur l'outil électrique et positionnez votre corps et votre bras afin de disposer d'une force suffisante pour résister aux contrecoups.** Utilisez toujours la poignée auxiliaire, le cas échéant, pour disposer d'un contrôle maximum sur le contrecoup ou sur la réaction du couple au démarrage. L'opérateur peut contrôler les réactions du couple et les forces de contrecoup si les précautions adaptées sont respectées.
 - ◆ **Ne placez jamais votre main à proximité de l'accessoire rotation.** Le contrecoup de l'accessoire peut toucher votre main.
 - ◆ **Ne positionnez jamais votre corps dans la zone où l'outil électrique peut se déplacer**

en cas de contrecoup. Le contrecoup propulse l'outil dans le sens opposé à la rotation du disque au point de blocage.

- ◆ **Faites spécialement attention en travaillant dans les angles, les arêtes, etc. Évitez toute secousse et tout blocage de l'accessoire.** Les angles, les arêtes et les secousses ont tendance à bloquer l'accessoire en rotation et peuvent vous faire perdre le contrôle ou générer un contrecoup.
- ◆ **Ne montez pas une chaîne de coupe, une lame à sculpter le bois ou une lame de scie dentée.** Ce type de lames génère fréquemment des contrecoups et des pertes de contrôle.

Instructions de sécurité additionnelles pour les opérations de meulage et de tronçonnage

Avertissements de sécurité spécifiques pour les opérations de meulage et de tronçonnage

- ◆ **Utilisez uniquement les disques recommandés pour votre outil électrique et le carter de protection spécifiquement conçu pour le disque choisi.** Les disques pour lesquels l'outil électrique n'a pas été conçu ne peuvent être protégés correctement et constituent donc une source de risque.
- ◆ **Le carter de protection doit être fermement fixé sur l'outil électrique et positionné afin de maximiser la sécurité en minimisant la partie du disque à laquelle l'opérateur est exposé.** Le carter de protection contribue à la protection de l'opérateur contre les fragments de disque cassés et tout contact accidentel avec le disque.
- ◆ **Les disques doivent être utilisés uniquement pour les applications recommandées. Par exemple : ne meulez pas avec le côté d'un disque de tronçonnage.** Les disques abrasifs sont destinés au meulage périphérique. Le fait de leur appliquer des forces latérales peut les briser.
- ◆ **Utilisez toujours des brides de disque en parfait état et présentant une taille et une forme adaptées au disque sélectionné.** Les brides de disque adaptées soutiennent le disque et réduisent donc le risque de rupture du disque. Les brides des disques de tronçonnage peuvent être différentes de celles des disques de meulage.
- ◆ **N'utilisez pas le disque usé d'un outil électrique plus grand.** Les disques conçus pour un outil plus grand ne sont pas adaptés aux régimes plus élevés des outils plus petits et peuvent donc exploser.

Avertissements de sécurité additionnels spécifiques aux opérations de tronçonnage par abrasion

- ◆ **Ne bloquez pas le disque de tronçonnage et n'appliquez pas de pression excessive. N'essayez pas d'effectuer une coupe d'une profondeur excessive.** Une pression excessive sur le disque augmente la charge, donc le risque de torsion ou de blocage du disque dans la coupe et, par conséquent, la possibilité de contrecoup ou de rupture du disque.
- ◆ **Ne positionnez pas votre corps aligné ou derrière le disque en rotation.** Lorsque le disque, au point d'opération, s'écarte de votre corps, le contrecoup potentiel peut propulser le disque en rotation avec l'outil électrique directement vers vous.
- ◆ **Lorsque le disque bloqué ou en cas d'interruption d'une coupe pour une raison quelconque, arrêtez l'outil électrique et maintenez-le immobile jusqu'à l'arrêt complet du disque. N'essayez jamais de retirer un disque tronçonnage de la coupe alors qu'il est encore en rotation sinon un contrecoup est possible.** Déterminez pourquoi le disque s'est coincé et corrigez le problème.
- ◆ **Ne recommencez pas à l'opération de coupe dans la pièce à ouvrir. Laissez le disque atteindre sa vitesse maximum puis entrez à nouveau dans la coupe avec précaution.** Le disque peut se pincer, remonter ou générer un contrecoup si l'outil électrique est redémarré dans la pièce à ouvrir.
- ◆ **Soutenez les panneaux ou les pièces à ouvrir de grande taille afin de minimiser le risque de pincement et de contrecoup du disque.** Les grandes pièces à ouvrir ont tendance à s'arquer sous leur propre poids. La pièce à ouvrir doit être soutenue des deux côtés par des supports près de la fente de scie ainsi qu'aux bords, de chaque côté du disque.
- ◆ **Faites preuve d'une prudence particulière pour effectuer une « découpe en poche » dans les murs préexistants ou autres parties non apparentes.** Le disque saillant peut couper les conduites de gaz ou d'eau, le câblage électrique ou d'autres objets susceptibles de générer un contrecoup.

Avertissements de sécurité spécifiques aux opérations de ponçage

- ◆ **N'utilisez pas un papier de ponçage surdimensionné.** Suivez les recommandations du fabricant pour le choix du papier de ponçage. Un papier de ponçage plus grand, dépassant

du patin de ponçage, présente un risque de laceration et peut attraper ou casser le disque voire engendrer un contrecoup.

Avertissements de sécurité spécifiques aux opérations de polissage

- ◆ **Ne laissez aucune partie libre du chapeau de polissage ou ses cordons de fixation tourner librement. Écartez ou coupez tout cordon de fixation libre.** Un cordon de fixation libre en rotation peut s'enchevêtrer avec vos doigts ou attraper la pièce à ouvrir.

Avertissements de sécurité spécifiques aux opérations de brossage

- ◆ **Notez que des brins métalliques sont projetés par la brosse même pendant le fonctionnement normal.**
Ne forcez pas les fils en appliquant une pression excessive sur la brosse. Les brins métalliques peuvent facilement pénétrer sous les vêtements ou la peau.
- ◆ **Si l'emploi d'une protection est recommandé avec la brosse métallique, aucun élément du disque ou de la brosse ne doit interférer avec la protection.** Le disque ou la brosse métallique peut voir son diamètre s'agrandir en raison de la charge de travail et des forces centrifuges.

Sécurité des tiers

- ◆ Cet appareil n'est pas destiné à être utilisé par des personnes (notamment des enfants) présentant des capacités physiques, sensorielles ou mentales limitées voire dépourvues de connaissance et d'expérience, sauf si elles sont supervisées ou ont reçu des instructions pour l'usage de l'appareil par une personne responsable de leur sécurité.
- ◆ Les enfants ne doivent pas jouer avec l'appareil.

Vibration

Les valeurs des émissions de vibrations mentionnées dans les données techniques et la déclaration de conformité ont été mesurées conformément à la méthode de test normalisée indiquée par EN 60745 et permettent les comparaisons entre outils. Les valeurs des émissions de vibrations peuvent également servir à une évaluation préliminaire de l'exposition.

Attention! Les valeurs des émissions de vibrations en utilisant réellement l'outil peuvent différer des valeurs déclarées en fonction du mode d'usage de l'outil. Le niveau de vibration peut dépasser le niveau indiqué.

Pour évaluer l'exposition aux vibrations afin de déterminer les mesures de sécurité imposées par 2002/44/CE pour protéger les personnes utilisant régulièrement des outils électriques, une estimation de l'exposition aux vibrations devrait prendre en compte les conditions réelles et le mode d'utilisation de l'outil, notamment l'ensemble du cycle de fonctionnement ainsi l'arrêt de l'outil et son fonctionnement au ralenti, outre le démarrage.

Étiquettes apposées sur l'outil



Attention! Afin de réduire les risques de blessures, l'utilisateur doit lire le manuel d'instructions.



Portez des lunettes de sécurité lorsque vous utilisez cet outil.



Portez des protections auditives lorsque vous utilisez cet outil.

Sécurité électrique



L'outil est doublement isolé; par conséquent, aucun câble de masse n'est nécessaire. Vérifiez si le voltage mentionné sur la plaque signalétique de la machine correspond bien à la tension de secteur présente sur lieu.

- ◆ Si le câble d'alimentation est endommagé, il doit être remplacé par le fabricant ou par un centre de réparation agréé Black & Decker afin d'éviter tout accident.

Caractéristiques

Certains, ou tous les éléments suivants se trouvent sur votre outil :

1. Interrupteur marche/arrêt
2. Poignée latérale
3. Verrouillage de l'arbre
4. Carter de protection

Assemblage

Attention! Avant l'assemblage, assurez-vous que l'outil est éteint et débranché.

Installation et retrait du carter de protection (fig. A & B)

L'outil est fourni avec un carter de protection réservé à des fins de meulage. Si l'unité doit être employée pour des opérations de découpe, un carter de protection spécifique doit être installé. Un carter de protection pour les opérations de découpe référence

1004484-00 est disponible et peut être obtenu auprès des centres d'entretien Black & Decker.

Installation

- ◆ Placez l'outil sur une table, arbre (5) tourné vers le haut.
- ◆ Placez la rondelle à ressort (6) sur l'arbre et engagez-la dans l'épaulement (7).
- ◆ Placez le carter de protection (4) sur l'outil selon le schéma.
- ◆ Placez la bride (8) sur l'arbre avec les lèvres protubérantes dirigées vers le carter. Assurez-vous que les orifices de la bride sont alignés avec ceux des vis.
- ◆ Fixez la bride avec les vis (9). Vérifiez que les vis sont bien serrées et que le carter de protection peut tourner.

Retrait

- ◆ Utilisez un tournevis pour enlever les vis (9).
- ◆ Retirez la bride (8), le carter de protection (4) et la rondelle à ressort (7). Rangez ces pièces dans un endroit sûr.

Attention! N'utilisez pas l'outil sans carter de protection.

Installation de la poignée latérale

- ◆ Vissez la poignée latérale (2) dans l'un des orifices de montage de l'outil.

Attention! Utilisez toujours la poignée latérale.

Installation et retrait des disques de meulage ou de tronçonnage (fig. C - E)

Utilisez toujours le type de disque adapté à votre application.

Utilisez toujours des disques présentant un diamètre et un alésage de dimension correcte (voir caractéristiques techniques).

Installation

- ◆ Installez le carter de protection comme indiqué ci-dessus.
- ◆ Placez la bride intérieure (10) sur l'arbre (5) comme indiqué (fig. C). Assurez-vous que la bride est bien en place sur les côtés plats de l'arbre.
- ◆ Placez le disque (11) sur l'arbre (5) comme indiqué (fig. C).
Si le disque comporte un centre surélevé (12), assurez-vous qu'il est bien en face de la bride intérieure.
- ◆ Assurez-vous que le disque est bien en place sur la bride intérieure.
- ◆ Placez la bride extérieure (13) sur l'arbre. Lors du montage du disque de meulage, le centre

surélevé sur la bride extérieure doit faire face au disque (A dans fig. D). Lors du montage du disque de tronçonnage, le centre surélevé sur la bride extérieure doit être opposé au disque (B dans fig. D).

- ◆ Appuyez sur le verrouillage de l'arbre (3) et serrez la bride extérieure à l'aide de la clé à deux griffes (14) (fig. E).

Retrait

- ◆ Appuyez sur le verrouillage de l'arbre (3) et desserrez la bride extérieure (13) à l'aide de la clé à deux griffes (14) (fig. E).
- ◆ Enlevez la bride extérieure (13) et le disque (11).

Installation et retrait des disques de ponçage (fig. E & F)

Il est nécessaire d'utiliser un tampon de support pour le ponçage. Vous pouvez vous procurer un tampon de support auprès d'un revendeur Black & Decker.

Installation

- ◆ Placez la bride intérieure (10) sur l'arbre (5) comme indiqué (fig. F). Assurez-vous que la bride est bien en place sur les côtés plats de l'arbre.
- ◆ Placez le tampon de support (15) sur l'arbre.
- ◆ Placez le disque de ponçage (16) sur le tampon de support.
- ◆ Placez la bride extérieure (13) sur l'arbre avec le centre surélevé face opposée à celle du disque.
- ◆ Appuyez sur le verrouillage de l'arbre (3) et serrez la bride extérieure à l'aide de la clé à deux griffes (14) (fig. E).
Vérifiez que la bride extérieure est correctement posée et que le disque est fermement fixé.

Retrait

- ◆ Appuyez sur le verrouillage de l'arbre (3) et desserrez la bride extérieure (13) à l'aide de la clé à deux griffes (14) (fig. E).
- ◆ Enlevez la flasque extérieure (13), le disque de ponçage (16) et le patin de ponçage (15).

Risques résiduels

L'utilisation d'un outil non mentionné dans les consignes de sécurité données peut entraîner des risques résiduels supplémentaires. Ces risques peuvent survenir si l'outil est mal utilisé, si l'utilisation est prolongée, etc. Malgré l'application des normes de sécurité correspondantes et la présence de dis-

positifs de sécurité, les risques résiduels suivants ne peuvent être évités. Ceci comprend :

- ◆ Les blessures dues au contact avec une pièce mobile/en rotation.
- ◆ Les blessures causées en changeant des pièces, lames ou accessoires.
- ◆ Les blessures dues à l'utilisation prolongée d'un outil. Une utilisation prolongée de l'outil nécessite des pauses régulières.
- ◆ Déficience auditive.
- ◆ Risques pour la santé causés par l'inhalation de poussières produites pendant l'utilisation de l'outil (exemple : travail avec du bois, surtout le chêne, le hêtre et les panneaux en MDF).

Utilisation

Attention! Laissez l'outil fonctionner à sa propre vitesse.

Ne le surchargez pas.

- ◆ Guidez le câble avec soin pour ne pas le couper par mégarde.
- ◆ Attendez-vous à un jet d'étincelles lorsque le disque de meulage ou de tronçonnage touche la pièce à travailler.
- ◆ Placez toujours l'outil de telle sorte que le carter de protection puisse vous protéger au maximum du disque de meulage ou de tronçonnage.

Démarrage et arrêt

- ◆ Pour mettre en marche, faites glisser l'interrupteur de marche/arrêt (1) en avant. Vous remarquerez que l'outil continue à fonctionner lorsque vous relâchez l'interrupteur.
- ◆ Pour éteindre, appuyez sur la partie arrière de l'interrupteur de marche/arrêt.

Attention! N'éteignez pas l'outil lorsqu'il est encore en charge.

Conseils pour une utilisation optimale

- ◆ Tenez l'outil fermement avec une main sur la poignée latérale et l'autre autour de la poignée principale.
- ◆ Lors du meulage, conservez toujours un angle d'environ 15° entre le disque et la surface de la pièce à ouvrir.

Entretien

Votre appareil/outil Black & Decker avec/sans fil a été conçu pour fonctionner pendant longtemps avec un minimum d'entretien. Un fonctionnement continu satisfaisant dépend d'un nettoyage régulier et d'un entretien approprié de l'outil.

Attention! Avant toute activité d'entretien sur les outils électriques avec/sans fil:

- ◆ Eteignez et débranchez l'appareil/l'outil.
- ◆ Ou coupez et retirez la batterie de l'appareil/outil s'il comporte un pack-batterie séparé.
- ◆ Soit épuisez complètement la batterie si elle est intégrée puis mettez hors tension.
- ◆ Débranchez le chargeur avant de le nettoyer. Votre chargeur ne nécessite aucun autre entretien qu'un nettoyage régulier.
- ◆ Nettoyez régulièrement les fentes de ventilation de votre outil/appareil/chargeur à l'aide d'une brosse douce ou d'un chiffon sec.
- ◆ Nettoyez régulièrement le carter moteur à l'aide d'un chiffon humide. N'utilisez pas de produit abrasif ou à base de solvant.
- ◆ Ouvrez régulièrement le mandrin (le cas échéant) et tapotez dessus pour retirer toute poussière à l'intérieur.

Protection de l'environnement



Collecte séparée. Ce produit ne doit pas être jeté avec les déchets domestiques normaux.

Si vous décidez de remplacer ce produit Black & Decker, ou si vous n'en avez plus l'utilité, ne le jetez pas avec vos déchets domestiques. Rendez-le disponible pour une collecte séparée.



La collecte séparée des produits et emballages usés permet le recyclage des articles afin de les utiliser à nouveau. Le fait d'utiliser à nouveau des produits recyclés permet d'éviter la pollution environnementale et de réduire la demande de matières premières.

Les réglementations locales peuvent permettre la collecte séparée des produits électriques du foyer, dans des déchetteries municipales ou auprès du revendeur vous ayant vendu votre nouveau produit.

Black & Decker fournit un dispositif permettant de collecter et de recycler les produits Black & Decker lorsqu'ils ont atteint la fin de leur cycle de vie. Pour pouvoir profiter de ce service, veuillez retourner votre produit à un réparateur agréé qui se chargera de le collecter pour nous.

Pour connaître l'adresse du réparateur agréé le plus proche de chez vous, contactez le bureau Black & Decker à l'adresse indiquée dans ce manuel. Vous pourrez aussi trouver une liste des réparateurs agréés de Black & Decker et de plus amples détails sur notre service après-vente sur le site Internet à l'adresse suivante: **www.2helpU.com**

Caractéristiques techniques

		AST15 TYPE 3	KG725 TYPE 3	KG900 TYPE 3
Tension	V_{AC}	230	230	230
Puissance absorbée	W	900	701	900
Vitesse à vide	min^{-1}	10,000	10,000	10,000
Diamètre du disque	mm	115	125	100
Alésage du disque	mm	22	22	16
Épaisseur max. du disque				
disques de meulage	mm	6	6	6
disques de tronçonnage	mm	3.5	3.5	3.5
Taille de l'arbre	mm	M14	M14	M10
Poids	kg	2.1	2.1	2.1

		KG915 TYPE 3	KG925 TYPE 3
Tension	V_{AC}	230	230
Puissance absorbée	W	900	900
Vitesse à vide	min^{-1}	10,000	10,000
Diamètre du disque	mm	115	125
Alésage du disque	mm	22	22
Épaisseur max. du disque			
disques de meulage	mm	6	6
disques de tronçonnage	mm	3.5	3.5
Taille de l'arbre	mm	M14	M14
Poids	kg	2.1	2.1

Niveau de pression sonore selon EN 60745:

Pression sonore (L_{pA}) 91 dB(A), incertitude (K) 3 dB(A)
 Puissance acoustique (L_{WA}) 102 dB(A), incertitude (K) 3 dB(A)

Valeurs de vibration totales (somme vectorielle triaxiale) selon EN 60745:

Meulage de surface ($a_{h,AG}$) 7 m/s², incertitude (K) 1,5 m/s²
 Découpe (a_h) 2,5 m/s², incertitude (K) 1,5 m/s²

Déclaration de conformité CE

DIRECTIVE MACHINES



AST15, KG725, KG900, KG915, KG925

Black & Decker déclare que les produits décrits sur la fiche technique sont conformes à la norme : 2006/42/EC, EN60745-1, EN60745-2-3

Ces produits sont conformes aux normes 2004/108/CE et 2011/65/UE

Pour plus de renseignements, veuillez contacter Black & Decker à l'adresse suivante ou reportez-vous au dos du manuel.

Le soussigné est responsable des données de la fiche technique et fait cette déclaration au nom de Black & Decker

Kevin Hewitt
 Vice-President Global Engineering
 Black & Decker Europe, 210 Bath Road, Slough,
 Berkshire, SL1 3YD
 Royaume-Uni
 23/03/2012

Garantie

Black & Decker est confiant dans la qualité de ses produits et vous offre une garantie très étendue. Ce certificat de garantie est un document supplémentaire et ne peut en aucun cas se substituer à vos droits légaux. La garantie est valable sur tout le territoire des Etats Membres de l'Union Européenne et de la Zone de Libre Echange Européenne.

Si un produit Black & Decker s'avère défectueux en raison de matériaux en mauvais état, d'une erreur humaine, ou d'un manque de conformité dans les 24 mois suivant la date d'achat, Black & Decker garantit le remplacement des pièces défectueuses, la réparation des produits usés ou cassés ou remplace ces produits à la convenance du client, sauf dans les circonstances suivantes :

- ◆ Le produit a été utilisé dans un but commercial, professionnel, ou a été loué.
- ◆ Le produit a été mal utilisé ou avec négligence.
- ◆ Le produit a subi des dommages à cause d'objets étrangers, de substances ou à cause d'accidents.
- ◆ Des réparations ont été tentées par des techniciens ne faisant pas partie du service technique de Black & Decker.

Pour avoir recours à la garantie, il est nécessaire de fournir une preuve d'achat au vendeur ou à un réparateur agréé.

Pour connaître l'adresse du réparateur agréé le plus proche de chez vous, contactez le bureau Black & Decker à l'adresse indiquée dans ce manuel. Vous pourrez aussi trouver une liste des réparateurs agréés de Black & Decker et de plus amples détails sur notre service après-vente sur le site Internet à l'adresse suivante: www.2helpU.com

Visitez notre site Web www.blackanddecker.eu pour enregistrer votre nouveau produit Black & Decker et être informé des nouveaux produits et des offres spéciales. Pour plus d'informations concernant la marque Black & Decker et notre gamme de produits, consultez notre site www.blackanddecker.eu.

Použití výrobku

Vaše úhlová bruska Black & Decker je určena pro broušení a řezání kovů a zdiva pomocí vhodných typů řezných a brusných kotoučů. S odpovídajícím ochranným krytem je tato bruska určena pouze pro spotřebitelské použití.

Bezpečnostní pokyny

Všeobecné bezpečnostní pokyny pro práci s elektrickým nářadím



Varování! Pozorně si přečtěte všechny pokyny. Nedodržení jakéhokoli z níže uvedených pokynů může mít za následek úraz elektrickým proudem, vznik požáru nebo vážné poranění.

Veškerá bezpečnostní varování a pokyny uschovejte pro případné další použití.

Označení elektrické nářadí ve všech níže uvedených upozorněních odkazuje na vaše nářadí napájené ze sítě (obsahuje napájecí kabel) nebo nářadí napájené bateriemi (bez napájecího kabelu).

1. Bezpečnost v pracovním prostoru

- Udržujte pracovní prostor v čistotě a dobře osvětlený.** Nepořádek na pracovním stole a nedostatek světla v jeho okolí vedou k nehodám.
- S elektrickým nářadím nepracujte ve výbušných prostorách, jako jsou například prostory s výskytem hořlavých kapalin, plynů nebo prašných látek.** Elektrické nářadí je zdrojem jiskření, které může způsobit vznícení hořlavin.
- Při práci s elektrickým nářadím udržujte děti a okolní osoby mimo jeho dosah.** Rozptylování může způsobit ztrátu kontroly nad nářadím.

2. Elektrická bezpečnost

- Zástrčka napájecího kabelu nářadí musí odpovídat zásuvce. Zástrčku nikdy žádným způsobem neupravujte. Nepoužívejte u uzemněného elektrického nářadí žádné upravené zástrčky.** Neupravované zástrčky a odpovídající zásuvky snižují riziko úrazu elektrickým proudem.
- Nedotýkejte se uzemněných povrchů, jako jsou například potrubí, radiátory, elektrické sporáky a chladničky.** Při uzemnění vašeho těla hrozí zvýšené nebezpečí úrazu elektrickým proudem.

- Nevystavujte elektrické nářadí dešti nebo vlhkému prostředí.**

Pokud do nářadí vnikne voda, zvýší se riziko úrazu elektrickým proudem.

- S napájecím kabelem zacházejte opatrně. Nikdy nepoužívejte napájecí kabel k přenášení nářadí, k jeho posouvání a při odpojování nářadí od elektrické sítě za něj netahejte.** Dbejte na to, aby se kabel nedostal do kontaktu s mastnými, horkými a ostrými předměty a s pohyblivými částmi nářadí. Poškozený nebo zauzlený napájecí kabel zvyšuje riziko úrazu elektrickým proudem.
- Pracujete-li s nářadím venku, používejte prodlužovací kabely určené pro venkovní použití.** Použití kabelu určeného k venkovnímu použití snižuje riziko úrazu elektrickým proudem.
- Musíte-li používat elektrické nářadí ve vlhkém prostředí, použijte u napájení proudový chránič (RCD).** Použití proudového chrániče (RCD) snižuje riziko úrazu elektrickým proudem.

3. Bezpečnost obsluhy

- Při práci s elektrickým nářadím zůstaňte stále pozorní, sledujte, co provádíte a přemýšlejte. Nepoužívejte elektrické nářadí, jste-li unaveni, pod vlivem drog, alkoholu nebo léků.** Chvilka nepozornosti při práci s elektrickým nářadím může vést k vážnému úrazu.
- Používejte prvky osobní ochrany. Vždy používejte vhodnou ochranu zraku.** Ochranné prostředky jako respirátor, neklouzavá pracovní obuv, přilba a chrániče sluchu, používané v příslušných podmínkách, snižují riziko poranění osob.
- Zabraňte náhodnému spuštění. Před připojením zdroje napětí, před nasunutím baterie a před přenášením nářadí zkontrolujte, zda je vypnutý hlavní spínač.** Přenášení elektrického nářadí s prstem na hlavním spínači nebo připojení napájecího kabelu k elektrické síti, je-li hlavní spínač nářadí v poloze zapnuto, může způsobit úraz.
- Před spuštěním nářadí se vždy ujistěte, zda nejsou v jeho blízkosti klíče nebo seřizovací přípravky.** Seřizovací klíče ponechané na nářadí mohou být zachyceny rotujícími částmi nářadí a mohou způsobit úraz.
- Nepřekázejte sami sobě. Při práci vždy udržujte vhodný a pevný postoj.** Tak je umožněna lepší ovladatelnost nářadí v neočekávaných situacích.

- f. **Vhodně se oblékejte. Nenoste volný oděv nebo šperky. Dbejte na to, aby se vaše vlasy, oděv a rukavice nedostaly do kontaktu s pohyblivými částmi.** Volný oděv, šperky nebo dlouhé vlasy mohou být pohyblivými díly zachyceny.
- g. **Pokud jsou zařízení vybavena adaptérem pro připojení odsávacího zařízení a sběrných zásobníků, zajistěte jejich správné připojení a řádnou funkci.** Použití těchto zařízení může snížit nebezpečí týkající se prachu.
4. **Použití elektrického nářadí a jeho údržba**
- a. **Elektrické nářadí nepřetěžujte. Používejte správný typ nářadí pro prováděnou práci.** Při použití správného typu nářadí bude práce provedena lépe a bezpečněji.
- b. **Pokud nelze hlavní spínač nářadí zapnout a vypnout, s nářadím nepracujte.** Každé elektrické nářadí s nefunkčním hlavním spínačem je nebezpečné a musí být opraveno.
- c. **Před výměnou jakýchkoli částí, příslušenství či jiných připojených součástí, před prováděním servisu nebo pokud nářadí nepoužíváte, odpojte jej od elektrické sítě nebo z něj vyjměte baterii.** Tato preventivní bezpečnostní opatření snižují riziko náhodného spuštění nářadí.
- d. **Pokud nářadí nepoužíváte, uložte jej mimo dosah dětí a zabraňte tomu, aby bylo toto nářadí použito osobami, které nejsou seznámeny s jeho obsluhou nebo s tímto návodem.** Elektrické nářadí je v rukou nekvalifikované obsluhy nebezpečné.
- e. **Údržba elektrického nářadí. Zkontrolujte vychýlení nebo zaseknutí pohyblivých částí, poškození jednotlivých dílů a jiné okolnosti, které mohou mít vliv na chod nářadí. Je-li nářadí poškozeno, nechejte jej před použitím opravit.** Mnoho nehod vzniká v důsledku nedostatečné údržby nářadí.
- f. **Řezné nástroje udržujte ostré a čisté.** Řádně udržované řezné nástroje s ostrými břity se méně zanáší a lépe se ovládají.
- g. **Používejte elektrické nářadí, příslušenství a držáky nástrojů podle těchto pokynů a berte v úvahu provozní podmínky a práci, která bude prováděna.** Použití elektrického nářadí k jiným účelům, než k jakým je určeno, může být nebezpečné.
5. **Opravy**
- a. **Svěřte opravu vašeho elektrického nářadí pouze osobě s příslušnou kvalifikací, která bude používat výhradně originální náhradní díly.** Tak bude zajištěn bezpečný provoz elektrického nářadí.

Doplňkové bezpečnostní pokyny pro práci s elektrickým nářadím



Varování! Doplňkové bezpečnostní pokyny pro broušení, leštění, kartáčování nebo řezání.

- ◆ **Toto elektrické nářadí je používáno jako bruska, která může využívat různé kotouče pro broušení, broušení pomocí ocelových kartáčů, leštění pomocí podušek nebo řezání. Nastudujte si všechny bezpečnostní výstrahy, pokyny, obrázky a technické údaje uvedené pro toto nářadí. Nedodržíte-li některé z níže uvedených pokynů, může dojít k úrazu elektrickým proudem, k vzniku požáru nebo k vážnému zranění.**
- ◆ **Pracovní operace, pro které není toto nářadí určeno, mohou vytvářet rizika, která povedou k způsobení zranění.**
- ◆ **Nepoužívejte příslušenství, která nejsou speciálně navržena a doporučena výrobcem nářadí.**
I když může být jiné příslušenství použito s vaším elektrickým nářadím, neznamená to, že je zajištěn jeho bezpečný provoz.
- ◆ **Jmenovité otáčky příslušenství musí dosahovat minimálně maximálních otáček, které jsou uvedeny na výkonovém štítku nářadí.** Příslušenství, které se otáčí rychleji než jsou jeho povolené maximální otáčky, se může roztrhnout nebo rozlomit.
- ◆ **Vnější průměr a tloušťka vašeho příslušenství musí odpovídat rozměrům, které jsou vhodné pro vaše nářadí.** Při použití kotoučů nesprávných rozměrů nelze zajistit odpovídající bezpečnost a ovladatelnost nářadí.
- ◆ **Velikost upínacího otvoru kotoučů, přírub, podpěrných podložek nebo jiného příslušenství musí odpovídat velikosti hnacího hřídele elektrického nářadí.** Kotouče s upínacími otvory, které neodpovídají montážním dílům elektrického nářadí, nepoběží stabilně, budou nadměrně vibrovat a mohou způsobit ztrátu kontroly.
- ◆ **Nepoužívejte poškozená příslušenství. Před každým použitím příslušenství zkontrolujte. Proveďte kontroly prasklin a úlomků brusných kotoučů, kontroly prasklin, roztržení nebo nadměrného opotřebování podpěrných podložek nebo kontrolu prasklin a uvolnění drátů na drátěných kotoučích. Dojde-li k pádu elektrického nářadí nebo jeho příslušenství, zkontrolujte, zda nedošlo k poškození a je-li to nutné, použijte**

nepoškozené příslušenství. Po kontrole a montáži příslušenství nechte nářadí v chodu v maximálních otáčkách naprázdno po dobu jedné minuty. V této testovací době se poškozené kotouče obvykle roztrhnou na kousky.

- ◆ **Používejte prvky osobní ochrany. V závislosti na druhu použití si nasadte ochrannou masku, či ochranné nebo bezpečnostní brýle. Podle situace používejte masku proti prachu, chrániče sluchu, rukavice a pracovní zástěru schopnou zachytit drobné brusné částice nebo fragmenty obrobku.** Ochrana zraku musí být schopna zastavit odlétávající nečistoty vznikající při různých pracovních operacích. Masky proti prachu nebo respirátory musí být schopné filtrovat částičky vznikající při vaší práci. Dlouhodobé vystavení vysoké intenzitě hluku může způsobit ztrátu sluchu.
- ◆ **Udržujte okolo stojící osoby v bezpečné vzdálenosti od pracovního prostoru. Každý, kdo vstupuje do pracovního prostoru, musí být vybaven prvky osobní ochrany.** Fragmenty obrobku nebo úlomky kotouče mohou odlétávat a mohou způsobit úraz i mimo pracovní prostor.
- ◆ **Držte elektrické nářadí za izolované rukojeti, protože může dojít k zachycení napájecího kabelu brusným pásem nebo základnou brusky.** Při kontaktu s „živým“ vodičem způsobí neizolované kovové části nářadí obsluhu úraz elektrickým proudem.
- ◆ **Dbejte na to, aby se napájecí kabel nedostal do blízkosti rotujícího příslušenství.** Při ztrátě kontroly může dojít k přeseknutí nebo obroušení kabelu a vaše ruka může být zachycena a vtažena do rotujícího příslušenství.
- ◆ **Nikdy nářadí neodkládejte, dokud nedojde k úplnému zastavení pracovního příslušenství.** Rotující příslušenství se může zarýt do povrchu, což může způsobit ztrátu kontroly nad nářadím.
- ◆ **Přenášíte-li elektrické nářadí na boku, nikdy jej neuvádějte do chodu.** Náhodný kontakt s rotujícím příslušenstvím by mohl způsobit zachycení za vaše oblečení a vniknutí příslušenství do vašeho těla.
- ◆ **Pravidelně čistěte větrací drážky elektrického nářadí.** Ventilátor motoru odvádí prachové nečistoty z vnitřního prostoru nářadí a nadměrné hromadění kovových částiček může způsobit úraz elektrickým proudem.
- ◆ **Nepoužívejte elektrické nářadí v blízkosti hořlavých materiálů.** Jiskry mohou způsobit vznícení těchto hořlavin.

- ◆ **Nepoužívejte příslušenství, které musí pracovat s chladicími kapalinami.**

Použití vody nebo jiné chladicí kapaliny může vést k smrtelnému úrazu elektrickým proudem nebo k jinému zranění.

Poznámka: Výše uvedená varování se nevztahují na elektrická nářadí, která jsou určena speciálně pro použití s chladicími systémy.

Zpětný ráz a příslušná varování

Zpětný ráz je náhlou reakcí na sevření nebo zaseknutí otáčejícího se kotouče, podpěrné podložky, kartáče nebo jakéhokoli jiného příslušenství.

Sevření nebo zaseknutí způsobuje rychlé zablokování rotujícího příslušenství, které ještě navíc v bodě kontaktu způsobí ztrátu kontroly nad nářadím a jeho pohyb v opačném směru, než je směr otáčení příslušenství.

Je-li například brusný kotouč sevřen nebo zaseknut v obrobku, hrana kotouče se v místě kontaktu s obrobkem může zaříznout hlouběji a může tak způsobit vyskočení kotouče směrem nahoru nebo zpětný ráz. Kotouč může vyskočit směrem k obsluze nebo od obsluhy, v závislosti na směru pohybu kotouče v bodě, kde došlo k jeho sevření. Za těchto podmínek mohou brusné kotouče také prasknout.

Zpětný ráz je výsledkem nesprávného použití elektrického nářadí a nesprávných pracovních postupů nebo pracovních podmínek. Zpětnému rázu může být zabráněno správným prováděním níže uvedených opatření.

- ◆ **Udržujte pevný úchop elektrického nářadí a postavte tělo a ruce do takové polohy, která vám umožní eliminovat síly zpětného rázu. Vždy používejte přídatnou boční rukojeť, je-li součástí výbavy, aby byla zaručena maximální kontrola při zpětném rázu nebo při momentové reakci během spuštění nářadí.** Dodržuje-li obsluha uvedená opatření, může kontrolovat momentové reakce i síly zpětného rázu.
- ◆ **Nikdy neumísťujte ruce do blízkosti rotujícího příslušenství.** Může dojít k zpětnému rázu příslušenství přes vaše ruce.
- ◆ **Nestůjte v prostoru, do kterého bude směřovat nářadí, dojde-li k zpětnému rázu.** Zpětný ráz vymrští nářadí v opačném směru, než je směr otáčení kotouče v místě sevření.
- ◆ **Buďte velmi opatrní při práci na rozích, ostrých hranách atd. Zabraňte kmitání a kroucení příslušenství.**

Rohy, ostré hrany nebo kmitání mají tendenci zachytávat rotující příslušenství, což může způsobit ztrátu kontroly nad nářadím nebo zpětný ráz.

- ◆ **Nikdy s tímto nářadím nepoužívejte kotouče s řetězy pro řetězové pily nebo ozubené pilové kotouče.** Při použití těchto kotoučů dochází často k zpětnému rázu nebo ke ztrátě kontroly nad nářadím.

Doplňkové bezpečnostní pokyny pro brusné a řezné operace

Bezpečnostní výstrahy specifické pro brusné a řezné operace

- ◆ **Používejte pouze typy kotoučů, které jsou doporučeny pro vaše nářadí a specifické ochranné kryty určené pro zvolené kotouče.** Kotouče, které nejsou určeny pro vaše elektrické nářadí, nemohou být odpovídajícím způsobem chráněny a jsou nebezpečné.
- ◆ **Ochranný kryt musí být bezpečně připevněn k nářadí a musí být nastaven tak, aby zaručoval maximální bezpečnost. Uživatel nářadí musí být co nejvíce chráněn před obnaženou částí kotouče.** Ochranný kryt pomáhá chránit uživatele před odlomenými částmi kotouče a před náhodným kontaktem s kotoučem.
- ◆ **Kotouče musí být používány pouze pro doporučené pracovní operace. Neprovádějte například broušení boční stranou řezného kotouče.** Řezné kotouče jsou určeny pro obvodové broušení. Boční síly působící na tyto kotouče mohou způsobit jejich roztříštění.
- ◆ **Vždy používejte pouze nepoškozené příruby kotoučů, které mají správnou velikost a tvar odpovídající zvolenému kotouči.** Správné příruby podpírají kotouč, čímž omezují možnost zlomení kotouče. Příruby pro řezné kotouče se mohou odlišovat od přírub pro brusné kotouče.
- ◆ **Nepoužívejte opotřebované kotouče z větších brusek.** Kotouče pro větší brusky nejsou vhodné pro vyšší otáčky menších brusek a mohou prasknout.

Doplňkové bezpečnostní pokyny pro speciální řezné operace

- ◆ **Netlačte na řezný kotouč a nevyvíjejte na něj příliš velký tlak. Nepokoušejte se vytvářet příliš velkou hloubku řezu.** Nadměrné namáhání kotouče zvyšuje jeho zatížení a náchylnost k ohybu v řezu, a tak možnost zpětného rázu nebo poškození kotouče.

- ◆ **Nestůjte v ose rotujícího kotouče a také nestůjte za rotujícím kotoučem.** Pohybuje-li se kotouč během práce směrem od vašeho těla a dojde-li k zpětnému rázu, otáčející se kotouč a nářadí mohou být odmrštěny přímo na vás.
- ◆ **Dochází-li k zasekávání kotouče nebo dojde-li z jakéhokoli důvodu k přerušení řezu, vypněte nářadí a držte jej bez pohybu, dokud nedojde k úplnému zastavení kotouče. Nikdy se nepokoušejte vyjmout kotouč z řezu, je-li kotouč v pohybu, protože by mohlo dojít k zpětnému rázu.** Přemýšlejte a provádějte potřebné úpravy, abyste eliminovali příčinu zaseknutí řezného kotouče.
- ◆ **Nepokoušejte se znovu zahájit práci přímo v obrobku.** Počkejte, dokud kotouč nedosáhne maximálních otáček a opatrně zasuňte kotouč znovu do řezu. Je-li kotouč ponechán v obrobku a nářadí je znovu spuštěno, kotouč se může zaseknout, může vyskočit z řezu nebo může dojít k zpětnému rázu.
- ◆ **Podepřete si panely a jiné obrobky s nadměrnou velikostí, abyste minimalizovali riziko zaseknutí kotouče a riziko způsobení zpětného rázu.** Velké obrobky mají působením vlastní hmotnosti tendenci se prohýbat. Podpěry musí být umístěny pod obrobkem na obou stranách v blízkosti čáry řezu a v blízkosti okrajů obrobku.
- ◆ **Buďte velmi opatrní při vytváření zářezů do stávajících stěn nebo na jiných místech, na která nevidíte.** Vyčnívající kotouč může způsobit přeřezání plynového nebo vodovodního potrubí, elektrických vodičů nebo předmětů, které mohou způsobit zpětný ráz.

Bezpečnostní varování pro brusné pracovní operace

- ◆ **Nepoužívejte nadměrně velké kotouče brusného papíru.** Při volbě brusného papíru postupujte podle doporučení výrobců. Větší kotouče brusného papíru, které přesahují brusnou podložku, představují riziko roztrhání a mohou způsobit kroucení a roztržení kotouče nebo zpětný ráz.

Bezpečnostní varování pro leštění

- ◆ **Dbejte na to, aby se volně neotáčely uvolněné části lešticí podušky nebo její upevňovací pásky. Volné upevňovací pásky zastrčte nebo je odstříhňte.** Volné a rotující upevňovací pásky se mohou zamotat do vašich prstů nebo se mohou zachytit o obrobek.

Bezpečnostní varování týkající se drátěných kartáčů

- ◆ Uvědomte si, že se štětiny z kartáče uvolňují dokonce i během běžných pracovních operací. Nevyvíjejte na kartáč nadměrný tlak, aby nedocházelo k příliš velkému namáhání štětin kartáče. Štětiny kartáče mohou lehce propíchnout lehký oděv nebo pokožku.
- ◆ Je-li při použití drátěného kartáče doporučeno použití krytu, zabraňte jakémukoli kontaktu drátěného kartáče s krytem. Působením pracovního zatížení a odstředivých sil se může drátěný kotouč nebo kartáč rozpínat.

Bezpečnost ostatních

- ◆ Toto nářadí není určeno pro použití osobami (včetně dětí) se sníženými fyzickými, smyslovými nebo duševními schopnostmi, nebo s nedostatkem zkušeností a znalostí, pokud těmto osobám nebyl stanoven dohled, nebo pokud jim nebyly poskytnuty instrukce týkající se použití výrobku osobou odpovědnou za jejich bezpečnost.
- ◆ Děti by měly být pod dozorem, aby si s nářadím nehrály.

Vibrace

Deklarovaná úroveň vibrací uvedená v technických údajích a v prohlášení o shodě byla měřena v souladu se standardní zkušební metodou předepsanou normou EN 60745 a může být použita pro srovnání jednotlivých nářadí mezi sebou. Deklarovaná úroveň vibrací může být také použita k předběžnému stanovení doby práce s tímto výrobkem.

Varování! Úroveň vibrací při aktuálním použití elektrického nářadí se může od deklarované úrovně vibrací lišit v závislosti na způsobu použití nářadí. Úroveň vibrací může být vzhledem k uvedené hodnotě vyšší.

Při stanovení doby vystavení se působení vibrací, z důvodu určení bezpečnostních opatření podle normy 2002/44/EC k ochraně osob pravidelně používajících elektrické nářadí v zaměstnání, by měl předběžný odhad působení vibrací brát na zřetel aktuální podmínky použití nářadí s přihlédnutím na všechny části pracovního cyklu, jako jsou doby, při které je nářadí vypnuto a kdy běží naprázdno.

Štítky na nářadí



Varování! Z důvodu snížení rizika způsobení úrazu si uživatel musí přečíst tento návod k obsluze.



Při práci s tímto nářadím používejte ochranné brýle.



Při práci se zařízením používejte ochranu sluchu.

Elektrická bezpečnost



Toto nářadí je opatřeno dvojitou izolací. Proto není nutné použití uzemňovacího vodiče. Vždy zkontrolujte, zda napětí v síti odpovídá napětí na výkonovém štítku.

- ◆ Dojde-li k poškození napájecího kabelu, musí být vyměněn výrobcem nebo v autorizovaném servisu Black & Decker, aby bylo zabráněno způsobení úrazu elektrickým proudem.

Popis

Vaše nářadí se skládá z některých nebo ze všech následujících částí:

1. Hlavní spínač
2. Boční rukojeť
3. Zajišťovací tlačítko hnacího hřídele
4. Ochranný kryt

Sestavení

Varování! Před montáží se ujistěte, zda je nářadí vypnuto a zda je napájecí kabel odpojen od zásuvky.

Nasazení a sejmutí krytu (obr. A a B)

Nářadí je dodáváno s krytem, který je určen pouze pro broušení. Bude-li nářadí používáno pro provádění řezných pracovních operací, musí být opatřeno krytem, který je určen pro tyto pracovní operace. K dispozici je vhodný ochranný kryt pro rozbrušovací práce (katalogové číslo 1004484-00), který můžete získat u autorizovaného prodejce Black & Decker.

Montáž

- ◆ Položte nářadí na stůl tak, aby hnací hřídel (5) směřoval nahoru.
- ◆ Položte na nářadí pružnou podložku (6) a umístěte ji na osazení (7).
- ◆ Položte kryt (4) na nářadí jako na uvedeném obrázku.

- ◆ Umístěte na hnací hřídel přírubu (8) tak, aby výstupky směřovaly ke krytu. Zkontrolujte, zda jsou otvory v přírubě srovnány s otvory pro šrouby.
- ◆ Připevněte přírubu pomocí šroubů (9). Zkontrolujte, zda jsou šrouby zcela dotaženy a zda lze krytem otáčet.

Demontáž

- ◆ Pro demontáž šroubů (9) použijte šroubovák.
- ◆ Sejměte přírubu (8), kryt (4) a pružnou podložku (7).
Tyto součásti pečlivě uložte.

Varování! Nikdy nepoužívejte toto nářadí bez krytu.

Upevnění boční rukojeti

- ◆ Našroubujte boční rukojeť (2) do jednoho z montážních otvorů na nářadí.

Varování! Vždy používejte boční rukojeť.

Nasazení a sejmutí brusného nebo řezného kotouče (obr. C - E)

Pro určitý typ operací používejte vždy vhodný typ kotouče.

Vždy používejte kotouče se správným průměrem kotouče i jeho upínacího otvoru (viz technické údaje).

Montáž

- ◆ Podle výše uvedeného postupu namontujte kryt.
- ◆ Umístěte na hnací hřídel (5) vnitřní přírubu (10), jako na uvedeném obrázku (obr. C). Ujistěte se, zda je vnitřní příruba správně posazena na dosedacích ploškách hnacího hřídele.
- ◆ Umístěte na hnací hřídel (5) kotouč (11), jako na uvedeném obrázku (obr. C).
Kotouč s vyvýšeným středem (12) umístěte tak, aby byla vyvýšená část otočena k vnitřní přírubě.
- ◆ Ujistěte se, zda je kotouč na vnitřní přírubě správně usazen.
- ◆ Umístěte na hnací hřídel vnější přírubu (13). Při upevnění brusného kotouče musí vyvýšený střed vnější příruby směřovat ke kotouči (A na obr. D). Při upevnění řezného kotouče musí vyvýšený střed vnější příruby směřovat od kotouče (B na obr. D).
- ◆ Stiskněte a držte zajišťovací tlačítko hnacího hřídele (3) a přitáhněte vnější přírubu pomocí speciálního klíče (14), který je opatřen dvěma kolíky (obr. E).

Demontáž

- ◆ Stiskněte a držte zajišťovací tlačítko hnacího hřídele (3) a uvolněte vnější přírubu pomocí speciálního klíče (14), který je opatřen dvěma kolíky (obr. E).
- ◆ Sejměte vnější přírubu (13) a kotouč (11).

Montáž a demontáž brusného kotouče (obr. E a F)

Při broušení musí být použita podpěrná podložka. Podpěrné podložky jsou k dispozici jako příslušenství u prodejců Black & Decker.

Montáž

- ◆ Umístěte na hnací hřídel (5) vnitřní přírubu (10), jako na uvedeném obrázku (obr. F). Ujistěte se, zda je vnitřní příruba správně posazena na dosedacích ploškách hnacího hřídele.
- ◆ Umístěte na hnací hřídel podpěrnou podložku (15).
- ◆ Umístěte brusný kotouč (16) na podpěrnou podložku.
- ◆ Umístěte vnější přírubu (13) na hnací hřídel tak, aby vyvýšený střed příruby směřoval od kotouče.
- ◆ Stiskněte a držte zajišťovací tlačítko hnacího hřídele (3) a přitáhněte vnější přírubu pomocí speciálního klíče (14), který je opatřen dvěma kolíky (obr. E). Zkontrolujte, zda je vnější příruba správně usazena a zda je pevně upnutý kotouč.

Demontáž

- ◆ Stiskněte a držte zajišťovací tlačítko hnacího hřídele (3) a uvolněte vnější přírubu pomocí speciálního klíče (14), který je opatřen dvěma kolíky (obr. E).
- ◆ Sejměte vnější přírubu (13), brusný kotouč (16) a podpěrnou podložku (15).

Zbytková rizika

Je-li nářadí používáno jiným způsobem, než je uvedeno v přiložených bezpečnostních varováních, mohou se objevit dodatečná zbytková rizika. Tato rizika mohou vzniknout v důsledku nesprávného použití, dlouhodobého použití atd.

Přestože jsou dodržovány příslušné bezpečnostní předpisy a jsou používána bezpečnostní zařízení, určitá zbytková rizika nemohou být vyloučena. Tato rizika jsou následující:

- ◆ Zranění způsobená kontaktem s jakoukoli rotující nebo pohybující se částí.
- ◆ Zranění způsobená při výměně dílů, pracovního nástroje nebo příslušenství.

- ◆ Zranění způsobená dlouhodobým použitím nářadí. Používáte-li jakékoli nářadí delší dobu, zajistěte, aby byly prováděny pravidelné přestávky.
- ◆ Poškození sluchu.
- ◆ Zdravotní rizika způsobená vdechováním prachu vytvářeného při použití nářadí (příklad: - práce se dřevem, zejména s dubovým, bukovým a MDF).

Použití

Varování! Nechejte nářadí pracovat vlastním tempem. Zamezte přetěžování nářadí.

- ◆ Pečlivě ved'te napájecí kabel, abyste zabránili jeho náhodnému přefříznutí.
- ◆ Buďte připraveni na příval jisker, jakmile se brusný nebo řezný kotouč dostane do kontaktu s obrobkem.
- ◆ Vždy nastavte nářadí do takové polohy, aby jeho kryt poskytoval optimální ochranu před brusným nebo řezným kotoučem.

Zapnutí a vypnutí

- ◆ Chcete-li nářadí zapnout, přesuňte hlavní spínač (1) dopředu. Nářadí zůstává v chodu i po uvolnění spínače.
- ◆ Chcete-li nářadí vypnout, stiskněte zadní část hlavního spínače.

Varování! Nevypínejte nářadí, je-li v záběru.

Rady pro optimální použití

- ◆ Držte nářadí pevně jednou rukou za boční rukojeť a druhou rukou držte nářadí pevně kolem hlavní rukojeti.
- ◆ Při broušení udržujte mezi kotoučem a povrchem obrobku stále úhel zhruba 15°.

Údržba

Vaše nářadí Black & Decker bylo zkonstruováno tak, aby pracovalo po dlouhou dobu s minimálními nároky na údržbu. Dlouhodobá bezproblémová funkce nářadí závisí na jeho řádné údržbě a pravidelném čištění.

Varování! Před zahájením jakékoli údržby výrobku/ nářadí napájené baterií/napájecím kabelem:

- ◆ Vypněte nářadí a odpojte napájecí kabel od sítě.
- ◆ Nebo vypněte nářadí a vyjměte z něj baterii, lze-li tuto baterii z nářadí vyjmout.
- ◆ Nebo nelze-li baterii z nářadí vyjmout, nechejte nářadí v chodu, dokud nedojde k úplnému vybití baterie a potom nářadí vypněte.
- ◆ Před čištěním odpojte nabíječku od sítě. Vaše

nabíječka nevyžaduje žádnou údržbu mimo pravidelné čištění.

- ◆ Větrací otvory nářadí a nabíječky pravidelně čistěte měkkým kartáčem nebo suchým hadříkem.
- ◆ Pomocí vlhkého hadříku pravidelně čistěte kryt motoru. Nepoužívejte žádné brusné čisticí prostředky nebo rozpouštědla.
- ◆ Pravidelně otvírejte sklíčidlo a poklepáním odstraňte prach z vnitřní části nářadí (je-li nářadí opatřeno sklíčidlem).

Ochrana životního prostředí



Tříděný odpad. Tento výrobek nesmí být vyhozen do běžného domácího odpadu.

Jednoho dne zjistíte, že výrobek Black & Decker musíte vyměnit nebo jej nebudete dále používat. V tomto případě myslete na ochranu životního prostředí a nevyhazujte jej do domácího odpadu. Zlikvidujte tento výrobek v tříděném odpadu.



Tříděný odpad umožňuje recyklaci a opětovné využití použitých výrobků a obalových materiálů. Opětovné použití recyklovaných materiálů pomáhá chránit životní prostředí před znečištěním a snižuje spotřebu surovin.

Místní sběrný odpadů, recyklační stanice nebo prodejny vám poskytnou informace o správné likvidaci elektro odpadů z domácnosti.

Společnost Black & Decker poskytuje službu sběru a recyklace výrobků Black & Decker po skončení jejich provozní životnosti. Chcete-li získat výhody této služby, odevzdejte prosím váš výrobek kterémukoli autorizovanému zástupci servisu Black & Decker, který nářadí odebere a zajistí jeho recyklaci.

Místo nejbližšího autorizovaného servisu Black & Decker se dozvíte na příslušné adrese uvedené na zadní straně tohoto návodu. Seznam autorizovaných servisů Black & Decker a podrobnosti o poprodejním servisu naleznete také na internetové adrese: www.2helpU.com

Technické údaje

		AST15 TYP 3	KG725 TYP 3	KG900 TYP 3
Napájecí napětí	V	230	230	230
Příkon	W	900	701	900
Otáčky naprázdno	min ⁻¹	10,000	10,000	10,000
Průměr kotouče	mm	115	125	100
Upínací otvor kotouče	mm	22	22	16



Kevin Hewitt

Viceprezident pro spotřebitelskou techniku
Black & Decker Europe, 210 Bath Road, Slough,
Berkshire, SL1 3YD
United Kingdom
23/03/2012

Maximální tloušťka kotouče				
Brusné kotouče	mm	6	6	6
Řezací kotouče	mm	3.5	3.5	3.5
Závit hnacího hřídele	mm	M14	M14	M10
Hmotnost	kg	2.1	2.1	2.1

		KG915 TYP 3	KG925 TYP 3
Napájecí napětí	V	230	230
Příkon	W	900	900
Otáčky naprázdno	min ⁻¹	10,000	10,000
Průměr kotouče	mm	115	125
Upínací otvor kotouče	mm	22	22
Maximální tloušťka kotouče			
Brusné kotouče	mm	6	6
Řezací kotouče	mm	3.5	3.5
Závit hnacího hřídele	mm	M14	M14
Hmotnost	kg	2.1	2.1

Hladina akustického tlaku podle normy EN 60745:

Akustický tlak (L_{pA}) 91 dB(A), odchylka (K) 3 dB(A)
Akustický výkon (L_{WA}) 102 dB(A), odchylka (K) 3 dB(A)

Celková úroveň vibrací (prostorový vektorový součet) podle normy EN 60745:

Povrchové broušení ($a_{h,AG}$) 7 m/s², odchylka (K) 1,5 m/s²
Řezání (a_h) 2,5 m/s², odchylka (K) 1,5 m/s²

Prohlášení o shodě

NAŘÍZENÍ PRO STROJNÍ ZAŘÍZENÍ



AST15, KG725, KG900, KG915, KG925

Společnost Black & Decker prohlašuje, že produkty popsané v technických údajích splňují požadavky následujících norem:
2006/42/EC, EN60745-1, EN60745-2-3

Tyto výrobky splňují také požadavky směrnice 2004/108/EC a 2011/65/EU.

Chcete-li získat další informace, kontaktujte prosím společnost Black & Decker na následující adrese nebo na adresách, které jsou uvedeny na konci tohoto návodu.

Níže podepsaná osoba je odpovědná za sestavení technických údajů a provádí toto prohlášení v zastoupení společnosti Black & Decker.

Záruka

Společnost Black & Decker důvěřuje kvalitě svého vlastního nářadí a poskytuje kupujícímu mimořádnou záruku. Tato záruka je nadstandardní a v žádném případě nepoškozuje Vaše zákonná práva. Tato záruka platí ve všech členských státech EU a Evropské zóny volného obchodu EFTA.

Objeví-li se na výrobku Black & Decker, v průběhu 24 měsíců od zakoupení, jakékoli materiálové či výrobní vady, garantujeme ve snaze o minimalizování vašich starostí bezplatnou výměnu vadných dílů, opravu nebo výměnu celého výrobku za níže uvedených podmínek:

- Výrobek nebyl používán pro obchodní nebo profesionální účely a nedocházelo-li k jeho pronájmu.
- Výrobek nebyl vystaven nesprávnému použití a nebyla zanedbána jeho předepsaná údržba.
- Výrobek nebyl poškozen cizím zaviněním.
- Nebyly prováděny opravy výrobku jinými osobami než pracovníky značkového servisu Black & Decker.

Při uplatňování reklamace je nutno prodejci nebo servisnímu středisku předložit doklad o nákupu výrobku. Místo vaší nejbližší autorizované servisní pobočky Black & Decker se dozvíte na příslušné adrese uvedené na zadní straně této příručky. Seznam autorizovaných servisů Black & Decker a podrobnosti o poprodejním servisu naleznete také na internetové adrese: **www.2helpU.com**

Navštivte naši internetovou adresu **www.blackanddecker.co.uk** a zaregistrujte si Váš výrobek Black & Decker. Budete tak mít neustále přehled o nových výrobcích a speciálních nabídkách. Další informace o značce Black & Decker a o našem výrobním programu získáte na internetové adrese **www.blackanddecker.co.uk**

Rendeltetésszerű használat

Black & Decker sarokcsiszolója fém és falazati anyag vágására és köszörülésére alkalmas a megfelelő vágó- vagy csiszolókorong alkalmazásával. A szerszám kizárólag a megfelelő védőburkolattal felszerelve használható. A sarokcsiszoló iparszerű felhasználásra nem alkalmas.

Biztonsági előírások

Elektromos kéziszerszámokra vonatkozó általános biztonsági figyelmeztetések



Figyelmeztetés! Olvassa el az összes biztonsági figyelmeztetést és utasítást. Az utasítások betartásának elmulasztása áramütést, tüzet és/vagy súlyos sérülést okozhat.

Őrizze meg az összes biztonsági figyelmeztetést és utasítást.

Az "elektromos szerszám" kifejezés a figyelmeztetéseken az Ön által használt vezetékes vagy akkumulátorral üzemeltetett (vezeték nélküli) elektromos szerszámot jelenti.

1. A munkaterület biztonsága

- A munkaterület tiszta és világos legyen.**
- Soha ne használja az elektromos szerszámot robbanásveszélyes légkörben, például gyúlékony folyadékok, gázok vagy porok jelenlétében.** Az elektromos szerszámokban szikra keletkezik, ami meggyújthatja a port vagy a gőzöket.
- Az elektromos szerszám használata közben ne engedje közel a gyerekeket vagy bábámszódókat.** Ha elterelik figyelmét, elveszítheti az ellenőrzést a szerszám fölött.

2. Elektromos biztonság

- Az elektromos kéziszerszám dugasza meg kell, hogy feleljen a hálózati csatlakozóaljzat kialakításának.** Soha, semmilyen módon ne változtassa meg a csatlakozódugaszt. **A földelt kéziszerszámokkal soha ne használjon adapter dugaszt.** Az eredeti (módosítatlan) csatlakozó és a megfelelő fali dugaljnak használata csökkenti az áramütés kockázatát.
- Ügyeljen, hogy teste ne érintkezzék földelt felületekkel, például csővezetékekkel, radiátorokkal, hűtőszekrényvel.** Ha teste földelt felülettel érintkezik, az növeli az elektromos áramütés veszélyét.

- Soha ne engedje, hogy az elektromos szerszámok megázzanak, ill. azokat nedvesség érje.**

Ha víz kerül az elektromos szerszámra, az növeli az elektromos áramütés veszélyét.

- Óvatosan kezelje a tápkábelt. Az elektromos kéziszerszámot soha ne vigye és ne húzza a kábelnél fogva, és a dugaszt ne a kábelnél fogva húzza ki az aljzataból. Óvja a kábelt a hőtől, olajtól, éles szegletektől, illetve mozgó alkatrészekről.** A sérült vagy összegabalyodott kábel növeli az elektromos áramütés veszélyét.
- Ha a szabadban használja az elektromos szerszámot, kültéri használatra alkalmas hosszabbítókábelt vegyen igénybe.** A kültéri használatra alkalmas hosszabbítókábellel csökkentheti az elektromos áramütés veszélyét.
- Ha elkerülhetetlen az elektromos szerszám nedves helyen való használata, használjon Fi-relével védett áramforrást.** A Fi-relé használata csökkenti az elektromos áramütés veszélyét.

3. Személyes biztonság

- Soha ne veszítse el éberségét, figyeljen oda arra, amit csinál, és használja a józan esztét, ha elektromos szerszámmal dolgozik. Ne dolgozzon elektromos szerszámmal, ha fáradt, kábítószert vagy alkoholt fogyasztott, illetve gyógyszer hatása alatt áll.** Elektromos szerszám használata közben egy pillanatnyi figyelmetlenség is súlyos személyi sérüléshez vezethet.
- Használjon egyéni védőfelszerelést. Mindig viseljen védőszemüveget.** A megfelelő körülmények között használt védőfelszerelés, például porálc, biztonsági csúszásmentes cipő, védősisak vagy fülvédő csökkenti a személyi sérülés veszélyét.
- Előzze meg a szerszám nem szándékos beindítását. Ellenőrizze, hogy a szerszám kapcsolója a ki állásban van-e, mielőtt a hálózatra vagy akkumulátorra kapcsolja, illetve kézbe veszi a szerszámot.** Ha a szerszámot úgy cipeli, hogy az ujjja a kapcsolón van, ill. olyan szerszámot helyez áram alá, amely be van kapcsolva, balesetet okoz(hat).
- Távolítsa el a beállításhoz használt kulcsot vagy fogót, mielőtt bekapcsolja az elektromos szerszámot.** A forgó alkatrészeire illesztve maradt fogó vagy kulcs személyi sérülést okozhat.

- e. **Ne végezzen olyan mozdulatokat, amelyek kibillenthetik egyensúlyából. Mindig szilárd felületen álljon, és ügyeljen, ne veszítse el egyensúlyát.** Így jobban tudja uralni a szerszámot váratlan helyzetekben.
- f. **Öltözzön megfelelően. Ne viseljen laza ruházatot vagy ékszert. Haját, ruháját és kesztyűjét tartsa távol a mozgó alkatrészekről.** A laza öltözk, az ékszerek vagy a hosszú haj beleakadhat a mozgó alkatrészekbe.
- g. **Ha az adott eszközhöz porszívó vagy porgyűjtő is tartozik, akkor győződjön meg arról, hogy ezeket megfelelően csatlakoztatva, ill. ezek megfelelően működnek.** A felsorolt eszközök használata csökkentheti a porral összefüggő kockázatokat.

4. Elektromos szerszámok használata és karbantartása

- a. **Ne erőltesse túl az elektromos kéziszerszámot. A célnak megfelelő elektromos szerszámot alkalmazza.** A megfelelő elektromos szerszámmal jobban és biztonságosabban dolgozhat, mert azt kifejezetten az adott feladatra tervezték.
- b. **Ne használja az elektromos szerszámot, ha a kapcsolóval nem lehet ki- és bekapcsolni.** A hibás kapcsolóval rendelkező elektromos szerszámok használata veszélyes, az ilyen készüléket meg kell javíttatni.
- c. **Csatlakoztassa le a hálózatról vagy az akkumulátorról a szerszámot, mielőtt beállítást végezne, tartozékot cserélne, vagy eltárolná azt.** Ezekkel a megelőző biztonsági intézkedésekkel csökkentheti a szerszám véletlen beindításának veszélyét.
- d. **A nem használt elektromos szerszámot tárolja olyan helyen, ahol a gyerekek nem érhetik el; és ne engedje, hogy azt olyan személyek használják, akik a szerszám használatát és ezen utasításokat nem ismerik.** Gyakorlatlan felhasználó kezében az elektromos szerszám veszélyt jelent.
- e. **Fordítson gondot az elektromos szerszám karbantartására. Ellenőrizze a mozgó alkatrészek csatlakozását és/vagy kötését, ellenőrizze az alkatrészeket törésre és más olyan sérülésekre, amelyek befolyásolhatják az elektromos eszköz működését. Ha sérült a szerszám, használat előtt javíttassa meg.** A nem megfelelően karbantartott elektromos szerszámok sok balesetet okoznak.
- f. **A vágószerszámok mindig tiszták és élesek legyenek.** A megfelelően karbantartott éles vágószerszám kisebb valószínűséggel szorul be, és jobban kontrollálható.

- g. **Az elektromos szerszámot, tartozékokat és szerszám befogókat a használati utasításnak megfelelően használja, a munkakörülmények és az elvégzendő feladat figyelembe vételével.** Az elektromos szerszám rendeltetésétől eltérő használata veszélyhelyzetet teremthet.

5. Szerviz

- a. **A szerszámot képzett szakemberrel szervizeltesse, és csak eredeti cserealkatrészeket használjon fel.** Ezzel biztosíthatja az elektromos szerszám folyamatos biztonságos üzemelését.

Az elektromos szerszámokra vonatkozó további speciális biztonsági utasítások



Figyelmeztetés! További biztonsági utasítások csiszoláshoz, köszörüléshez, drótkefézéshez, polírozáshoz és vágáshoz.

- ◆ **Ez az elektromos szerszám csiszoláshoz, köszörüléshez, drótkefézéshez, polírozáshoz és vágáshoz alkalmas. Olvassa el az összes utasítást, specifikációt és tekintse meg az összes ábrát, amit ehhez az elektromos szerszámhoz mellékelünk.** A lent felsorolt összes utasítás be kell tartani. Az utasítások figyelmen kívül hagyása elektromos áramütés veszélyével járhat vagy tüzet és/vagy súlyos balesetet okozhat.
- ◆ **Az elektromos szerszám rendeltetésétől eltérő használata jelentős kockázatokkal és személyi sérülés veszélyével jár.**
- ◆ **Soha ne használjon olyan tartozékokat a szerszámhoz, amit a szerszám gyártója nem javasol.**
Az a tény, hogy a tartozékot csatlakoztatni lehet az elektromos szerszámhoz nem jelenti azt, hogy annak használata biztonságos.
- ◆ **A tartozék engedélyezett sebességének egyenlőnek kell lennie az elektromos szerszám maximális sebességével vagy azt meg kell haladnia.** Az olyan tartozékok, amelyeket az engedélyezett sebességüknél gyorsabban használunk eltörhetnek és elrepülhetnek.
- ◆ **A tartozék külső átmérőjének és vastagságának az elektromos szerszámnál megadott engedélyezett tartományba kell esnie.** A nem megfelelő méretű tartozékokat nem lehet megfelelően irányítani vagy azok ellen megfelelően védekezni.

- ◆ **Bármely tartozék befogópofájának, befogótüskéjének vagy tengelyének megfelelően kell illeszkednie az elektromos szerszám tengelyéhez.** Azok a tartozékok, amelyek befogó-bemélyedései/nyílásai nem illeszkednek tökéletesen az elektromos szerszám illesztő-alkatrészébe, excentrikusan fognak forogni, túlzott vibrációt keltenek és ezek miatt elveszíthetjük a szerszám fölött az irányítást.
- ◆ **Soha ne használjon sérült tartozékot. Minden tartozékot ellenőrizzen a használat előtt, például a korongokat ellenőrizze kitérésre és repedésekre, a befogópofát repedésekre, hasadásokra vagy túlzott kopásra, ill. a drótkeféket lógó vagy törött drótszálakra.** Ha az elektromos szerszámot vagy annak tartozékát leejti, akkor azt ellenőrizze sérülésekre és az eszközre csak sérülésmentes tartozékot szereljen fel. **A tartozék vizsgálata és felszerelése után egy percig a legmagasabb üresjárati fordulaton működtesse a szerszámot.** A sérült tartozékok ezalatt a teszt alatt a leggyakrabban leválnak/széttörnek.
- ◆ **Használjon egyéni védőfelszerelést. A munkavégzésnek megfelelően hordjon egészarcos maszkot, biztonsági védőszemüveget vagy védőszemüveget. Szükség esetén hordjon pormaszkot, hallásvédelmet, kesztyűket és munkavédelmi kötenyt, amely felfogja a munkadarab kis részecskéit és a szilánkokat.** A szemvédelemhez olyan védőszemüveget kell használni, amely képes az összes (és különböző fajtájú) levegőbe kerülő szilánkot és port felfogni. A pormaszknak vagy a légzőkészüléknek ki kell szűrnie a munkavégzés során keletkező port. Ha huzamosabb időn keresztül végez zajos munkát az hallássérüléshez vezethet.
- ◆ **Tartsa a báméskodókat megfelelő távolságban a munkaterülettől.** Mindenkinek személyes védőfelszerelést kell hordania, **aki belép a munkaterületre.** A munkadarabról leváló szilánkok vagy a törött tartozék messze elrepülhet és súlyos sérülést okozhat, még a közvetlen munkavégzéstől jelentős távolságban is.
- ◆ **A készüléket mindig a szigetelt markolati felületen tartsa, ha olyan munkát végez, ahol rejtett, vagy a saját vezetékével találkozhat a készülék.** Élő vezetékkel való kontaktus által a készülék fém részei is vezetővé válnak, és elektromos áramütés érheti a felhasználót.
- ◆ **Helyezze el úgy a készülék kábelét, hogy az ne kerüljön/kerülhessen a forgó tartozék útjába.** Ha elveszíti a gép fölötti irányítást, akkor a gép a vezetéket elvághatja vagy felcsavarhatja és a kezét a forgó tartozék felé húzhatja.
- ◆ **Soha ne tegye le addig az elektromos szerszámot, amíg a tartozék teljesen le nem állt.** A forgó tartozék beleakadhat a munkadarab felületébe, és az elektromos kéziszerszámot kihúzhatja az Ön kezéből.
- ◆ **Soha ne járassa az elektromos szerszámot menet közben.** A forgó tartozék véletlenül elkaphatja az Ön ruházatát, és a tartozék belevághat az Ön testrészeibe.
- ◆ **Rendszeresen takarítsa az elektromos szerszám szellőzőnyílásait.** A motor ventilátora beszívhatja a port a tokba, amelynek (ill. a fémporoknak a) túlzott lerakódása elektromos kockázatokkal járhat.
- ◆ **Soha ne használja az elektromos szerszámot gyúlékony anyagok közelében.** A szikrák meggyújthatják ezeket az anyagokat.
- ◆ **Soha ne használjon olyan tartozékokat, amelyek folyadékhűtést igényelnek.** A víz vagy más hűtőfolyadékok használata halálos áramütést vagy elektromos balesetet okozhat.

Megjegyzés: A fenti figyelmeztetés nem vonatkozik olyan elektromos szerszámokra, amelyeket kifejezetten folyadékrendszerben való használatra terveztek.

A szerszám visszarúgása és az ehhez kapcsolódó figyelmeztetések

A visszarúgás alatt a beszorult vagy egyenetlen forgókorong, befogópofa, acéldrót-kefe vagy más tartozék hirtelen mozgását, reakcióját értjük.

A beszorulás vagy az egyenetlenség miatt a forgó tartozék nagyon gyorsan lelassulhat, amelynek hatására az irányíthatatlan elektromos szerszám a tartozék forgásával ellentétes irányba indulhat el az elakadási ponttól.

Példa: ha a tisztítókorong egyenetlen vagy az beszorul a munkadarabba, akkor annak éle jobban belevág a munkadarab felületébe, aminek hatására a korong kijöhet a vágatból és visszarúghat. A korong elindulhat a kezelő felé, de azzal ellentétes irányban is - a beszorulás pillanat mozgási irányának függvényében. A tisztítókorong ilyen körülmények között el is törhet.

A visszarúgás a szerszám rendeltetésétől eltérő vagy helytelen használat vagy munkakörülmények következménye, de elkerülhető az alábbi megfelelő óvintézkedések betartásával.

- ◆ **Tartsa az elektromos szerszámot szorosan a kezébe és azt irányítsa úgy a testéhez és a karjaihoz képest, hogy az meg tudja tartani az ilyen visszarúgások során. Ha a gép fel van szerelve segéd-fogantyúval is (másodlagos fogantyúval) akkor azt is tartsa, hogy az ilyen visszarúgások és az indítás során keletkező nyomatékváltozások során is biztosan tartsa a szerszámot a kezében.** A kezelő reagálhat a nyomatékváltozásokra és a visszarúgásokra, ha azokra megfelelően felkészült (megtette a szükséges óvintézkedéseket).
- ◆ **Soha ne helyezze a kezét közel a forgó tartozékhoz.**
A tartozék egy visszarúgás során az Ön keze felé is elindulhat.
- ◆ **Soha ne helyezkedjen úgy, hogy az elektromos szerszám az ilyen visszarúgás során az Ön teste felé induljon el.** A visszarúgás során a szerszám a beszorulás pontjától a korong forgásával ellentétes irányba fog elindulni.
- ◆ **Különösképpen legyen óvatos, ha a munka során egy sarkon, éles éleken stb. dolgozik. Kerülje a tartozék felesleges mozgását (ugráztatását) és hogy azon egyenetlenségek képződjenek.**
A sarkok, az éles élek miatt vagy az ugráltatás során a forgó tartozék könnyen egyenetlenné válhat, amelynek hatására elvesztheti az eszköz felett az irányítást vagy az visszarúghat.
- ◆ **Soha ne helyezzen a készülékre fűrészláncot, famarásra alkalmas fűrészlapot, vagy fogazott fűrészlapot.** Az ilyen lapok gyakori visszarúgást okozhatnak és elveszítheti az eszköz felett az irányítást.

További biztonsági előírások köszörüléshez/csiszoláshoz és vágáshoz

A köszörülési/csiszolási és vágási műveletek speciális biztonsági előírásai

- ◆ **Csak az Ön szerszámához ajánlott, és a speciális védőburkolathoz illő csiszoló- és vágókorongot használjon.** Azon korongok esetében amelyekhez nem tervezték a szerszámot, nem lehet biztosítani a megfelelő védelmet, ezért nem biztonságosak.
- ◆ **A védőburkolatot szorosan kell rögzíteni az elektromos szerszámra, és a maximális biztonságnak megfelelően kell elhelyezni, úgy hogy a kezelő felé e lehető legkisebb**

korongfelület legyen szabadon. A védőburkolat védi a kezelőt a korong törött darabjaitól és a korong véletlen megérintésétől.

- ◆ **A korongokat csak az ajánlott alkalmazásokra használja. Például ne csiszoljon a vágókorong oldalával.** A vágókorongokat úgy tervezik, hogy a külső permükkel lehessen vágni. A korongra ható oldalirányú nyomás hatására darabokra törhet.
- ◆ **Mindig sértetlen, az Ön által választott koronghoz megfelelő méretű és alakú korongfelfogató tárcsát használjon.** A megfelelő korongfelfogató tárcsa támasztja a korongot, így csökkentve a korong törésének kockázatát. A vágókorong-felfogató tárcsa különbözhet a csiszolókorong-felfogató tárcsától.
- ◆ **Ne használja nagyobb elektromos szerszám elkopott vágókerekeit.** A nagyobb elektromos szerszámhoz készült korongok nem alkalmasak a kisebb szerszám nagyobb sebességéhez, és könnyen darabokra törhetnek.

A vágókorongos vágással kapcsolatos további munkavédelmi utasítások:

- ◆ **Ügyeljen, hogy a vágókorong ne "szoruljon be", és ne alkalmazzon túlzott nyomást. Ne próbáljon túl nagy mélységű vágást végezni.** Ha túl nagy erővel nyomja a korongot, fokozza annak terhelését, ezért könnyebben megtörhet vagy megszorulhat a vágatban, és nő a visszarúgás, illetve a korong eltörésének veszélye.
- ◆ **Ne álljon egyvonalba a forgó tárcsával vagy közvetlenül mögé.** Amikor a tárcsa a munkavégzés helyén az Ön testétől elfelé mozdul, egy esetleges visszarúgás a forgó tárcsát és a szerszámot közvetlenül Ön felé viszi.
- ◆ **Amikor a tárcsa megszorul vagy valamilyen okból megszakítja a vágást, kapcsolja ki a szerszámot és tartsa mozdulatlanul amíg teljesen leáll. Soha ne próbálja a mozgó vágókereket eltávolítani a vágatból, mert visszarúghat a szerszám.** Vizsgálja meg a tárcsa megszorulásának okát, és tegye meg a szükséges intézkedéseket, hárítsa el az okot.
- ◆ **Ne indítsa újra a vágást, ha a korong a munkadarabban van.**
Várja meg, amíg a tárcsa eléri a teljes sebességet, ezután óvatosan illessze vissza a vágatba. A tárcsa megszorulhat, kiugorhat fölfelé vagy visszarúghat, ha a szerszámot a munkadarabban indítja el.
- ◆ **Támassza alá a táblákat, illetve a túl nagy munkadarabokat, hogy csökkentse a tárcsa becsípődésének és a visszarúgásnak az esélyét.**

A nagy munkadarabok már saját súlyuktól deformálódnak. A munkadarabot a vágási vonal közelében kell alátámasztani, illetve két végén a vágótárcsa mindkét oldalán.

- ◆ **Szenteljen különös figyelmet az “u-alakú” vágásnak álló falaknál vagy egyéb nem átlátható daraboknál.** A tárcsa belevághat a gáz- vagy vízcsövekbe, elektromos vezetékbe vagy más tárgyakba, amelyek visszarúgást okozhatnak.

Speciális biztonsági utasítások a csiszoláshoz

- ◆ **Ne használjon túl nagy méretű csiszolókorongot. A csiszolópapír kiválasztásánál kövesse a gyártó ajánlásait.** A csiszolólapon túlnyúló nagy csiszolópapír fokozza a szakadás veszélyét és a csiszolókorong elszakadhat, csorbulhat, illetve ez visszarúgást is okozhat.

Speciális biztonsági utasítások polírozáshoz

- ◆ **Ne hagyja, hogy a polírozó korong laza részei szabadon forogjanak. Szorítsa le vagy vágja le a lazán lógó szálakat.** A laza és forgó szálak az ujjaiába gabalyodhatnak vagy kicsorbíthatják a munkadarabot.

A drótkefés műveletekkel kapcsolatos speciális munkavédelmi utasítások

- ◆ **Legyen óvatos, mert a drótszálak a keférlírendes használat során is leválhatnak. Soha ne terhelje túl a drótszálakat azzal, hogy a kefét túlzott erővel nyomja.** A drótszálak könnyen behatolhatnak/átbökhethetik a vékony ruházatot és/vagy bőrt.
- ◆ **Ha a drótkefés munkához a védőeszköz használata ajánlott, akkor ne engedje, hogy a drótkefe hozzáérjen a védőeszközhöz.** A drótkefés korong átmérője megnövekedhet munka során a terhelés és a centrifugális erők hatására.

Mások biztonsága

- ◆ A készüléket nem korlátozott fizikai, érzékelési, mentális képességekkel rendelkező vagy gyakorlatlan személyek (beleértve a gyermekeket is) számára tervezték; kivétel ha számukra a szerszám használatához a biztonságukért felelős személy felügyeletet és tájékoztatást biztosít.
- ◆ A gyerekeket felügyelni kell, nehogy játszanak a szerszámmal.

Rezgés

A műszaki adatlapon és a megfelelőségi nyilatkozatban feltüntetett vibrációs kibocsátási értékeket az EN 60745 szabványnak megfelelően mérték, és alkalmasak különböző szerszámok értékeinek összehasonlítására. A feltüntetett vibrációs kibocsátási értékek szintén felhasználhatók előzetes expozíciós felmérésekhez.

Figyelmeztetés! A vibrációs kibocsátási értékek az elektromos szerszám tényleges használata közben a feltüntetett értéktől különbözhetnek a szerszám használatának függvényében. A vibrációs értékek az itt feltüntetett szint fölé is emelkedhetnek.

A 2002/44/EK által a géppel rendszeresen dolgozók számára megkövetelt szükséges biztonsági intézkedések meghatározásához végzett vibrációs expozíció felmérése során az expozíció felbecsülésénél tekintetbe kell venni a tényleges használati körülményeket, illetve, hogy a szerszámot milyen módon használják, beleértve, hogy figyelembe kell venni a munkafolyamat minden részét, pl. azokat az időszakokat, amikor a szerszám ki van kapcsolva vagy üresen fut a napi expozíciós idő mellett.

Címkék a szerszámon



Figyelmeztetés! A sérülések elkerülése érdekében a felhasználó köteles elolvasni a kezelési útmutatót.



A szerszám használata közben viseljen védőszemüveget.



A szerszám használata közben viseljen fülvédőt.

Elektromos biztonság



A szerszám kettős szigetelésű; ezért nincs szükség földelő vezetékre. Mindig ellenőrizze, hogy a szerszám adattábláján megadott feszültség egyezik-e a hálózati feszültséggel.

- ◆ Ha a tápkábel sérült, hivatalos Black & Decker szervizben kell kicserélni a veszélyek elkerülése végett.

Felszerelések

Szerszáma a következő felszerelésekkel, vagy azok egy részével van ellátva:

1. Ki- és bekapcsoló
2. oldalfogantyú
3. Orsóretesz (Tengelyrögztítés)
4. Védőburkolat

Összeszerelés

Figyelmeztetés! Összeszerelés előtt ellenőrizze, hogy a szerszám ki van-e kapcsolva, és ki van-e húzva a konnektorból.

A védőburkolat fel- és leszerelése (A & B ábra)

A szerszám kizárólag köszörülési munkákhoz alkalmazható védőburkolattal rendelkezik. Ha vágási műveletet végez vele, ehhez megfelelő védőburkolatot kell felszerelnie. A vágási műveletekre alkalmas 1004484-00 cikkszámú megfelelő védőburkolat rendelkezésre áll és beszerezhető a Black & Decker szervizhálózatán keresztül.

Felszerelés

- ◆ Helyezze a szerszámot egy asztalra a forgórészrel (5) fölfelé.
- ◆ Helyezze a rugós alátétet (6) a forgórészre és helyezze el a felfekvő felületen (7).
- ◆ Tegye a védőburkolatot (4) a szerszámra az ábra szerint
- ◆ Helyezze a karimát (8) a forgórészre úgy, hogy a kiemelkedések a védőeszköz felé nézzenek. Ellenőrizze, hogy a felfekvő felület furatai egyvonalba esnek a csavarok helyével a karimán.
- ◆ Rögzítse a karimát a csavarokkal (9). Ellenőrizze, hogy a csavarok teljesen meg vannak-e húzva és hogy a védőburkolatot el lehet-e fordítani.

Eltávolítás

- ◆ Csavarhúzóval hajtsa ki a csavarokat (9).
- ◆ Vegye le a karimát (8), a védőeszközt (4) és a rugós alátétet (7).
Tárolja gondosan őket.

Figyelmeztetés! Soha ne használja a szerszámot védőburkolat nélkül.

Az oldalfogantyú felszerelése

- ◆ Csavarja be az oldalfogantyút (2) a szerszám egyik e célt szolgáló furatába.

Figyelmeztetés! Mindig használja az oldalfogantyút.

A csiszoló és a vágókorongok fel- és leszerelése (C -E ábra)

Mindig a célnak megfelelő korongot alkalmazza.

Mindig a megfelelő belső és külső átmérőjű korongot használjon (lásd a műszaki adatokat).

Felszerelés

- ◆ Az előbbieket szerint szerelje fel a védőburkolatot.
- ◆ Helyezze fel a belső karimát (10) a forgórészre (5) az itt bemutatott módon (C ábra). Ellenőrizze, hogy a karima helyesen van elhelyezve a forgórész lapos oldalán.
- ◆ Helyezze fel a korongot (11) a forgórészre (5) az itt bemutatott módon (C ábra).
Ha a korong középső része kiemelkedik (12), ellenőrizze, hogy a kiemelkedő rész befelé néz-e.
- ◆ Ellenőrizze, hogy a korong megfelelően van-e elhelyezve a belső karimán.
- ◆ Tegye a külső karimát (13) a forgórészre. Amikor csiszolókorongot szerel fel, a külső karima kiemelt középső része a korong felé kell, hogy nézzen (D ábra A). Amikor vágókorongot szerel fel, a külső karima kiemelt középső része a koronggal ellentétes irányba kell, hogy nézzen (B ábra D).
- ◆ Tartsa lenyomva a tengelyrögztítőt (3) és szorítsa rá a külső karimát a körmöskulccsal (14) (E ábra).

Eltávolítás

- ◆ Tartsa lenyomva a tengelyrögztítőt (3) és lazítsa meg a külső karimát (13) a körmöskulccsal (14) (E ábra).
- ◆ Vegye le a karimát (13) és a korongot (11).

A csiszolókorong fel- és leszerelése (E & F ábra)

Csiszoláshoz csiszolótányérra van szükség. A csiszolótányér megvásárolható Black & Decker kereskedőjénél mint tartozék.

Felszerelés

- ◆ Helyezze fel a belső karimát (10) a forgórészre (5) az itt bemutatott módon (F ábra). Ellenőrizze, hogy a karima helyesen van elhelyezve a forgórész lapos oldalán.
- ◆ Tegye a csiszolótányérra (15) a forgórészre.
- ◆ Tegye a csiszolókorongot (16) a csiszolótányérra.
- ◆ Helyezze a külső karimát (13) a forgórészre úgy, hogy a kiemelkedő középső rész a koronggal ellentétes irányba nézzen.
- ◆ Tartsa lenyomva a tengelyrögztítőt (3) és szorítsa rá a külső karimát a körmöskulccsal (14) (E ábra). Ellenőrizze, hogy a külső karima helyesen van-e elhelyezve és a csiszolókorong erősen be van-e szorítva.

Eltávolítás

- ◆ Tartsa lenyomva a tengelyrögztítőt (3) és lazítsa meg a külső karimát (13) a körmöskulccsal (14) (E ábra).

- ◆ Vegye le a külső karimát (13), a csiszolókorongot (16) és az csiszolótányért (15).

Maradványkockázatok

A biztonsági figyelmeztetésekben ismertetett kockázatok mellett más kockázatok is jellemezhetik a szerszám használatát. Ezek a kockázatok a szerszám rendeltetésétől eltérő, illetve huzamos használatából stb. adódhatnak.

A vonatkozó biztonsági előírások alkalmazása és a védőeszközök használata ellenére bizonyos maradványkockázatokat nem lehet elkerülni. Ezek a következők:

- ◆ A forgó/mozgó alkatrészek megérintése által okozott sérülés.
- ◆ Az alkatrészek, vágólapok, tartozékok cseréje által okozott sérülés.
- ◆ A szerszám huzamos használata által okozott egészségkárosodás. Bármely szerszám huzamosabb ideig való használata esetén tartson rendszeres munkaszüneteket.
- ◆ Halláskárosodás.
- ◆ A használat közben famunkáknál keletkező por belélegzése miatti egészségkárosodás, különös tekintettel a tölgy, bükk és MDF anyagokra).

Használat

Figyelmeztetés! Hagyja a szerszámot saját tempójában működni. Ne terhelje túl.

- ◆ Óvatosan vezesse a kábelt, nehogy véletlenül elvágja.
- ◆ Készüljön fel arra, hogy amikor a köszörülő- vagy vágókorong hozzáér a munkadarabhoz, szikrázást tapasztal.
- ◆ Mindig úgy irányítsa a szerszámot, hogy a védőburkolat optimálisan védje a köszörülő- vagy vágókorongtól.

Ki- és bekapcsolás

- ◆ Bekapcsoláshoz tolja előre a ki/be kapcsológombot (1). Megjegyzendő, hogy a szerszám a gomb felengedése után tovább forog.
- ◆ Kikapcsoláshoz nyomja le a ki/be kapcsológomb hátsó részét.

Figyelmeztetés! Soha ne kapcsolja ki a gépet terhelés közben.

Javaslatok az optimális használatához

- ◆ Egyik kezével erősen tartsa a szerszámot az oldalfogantyúnál, a másikkal pedig a főfogantyúnál.
- ◆ Köszörüléskor mindig kb. 15°-os szögben tartsa a szerszámot a munkadarabhoz.

Karbantartás

Black & Decker szerszámát minimális karbantartás melletti hosszú távú felhasználásra terveztük. A folyamatos kielégítő működés feltétele a megfelelő gondozás és rendszeres tisztítás.

Figyelmeztetés! A hálózati/ akkumulátoros készülék karbantartása előtt:

- ◆ Kapcsolja ki és húzza ki a konnektorból a gépet.
- ◆ Vagy kapcsolja ki és vegye le az akkumulátort róla, ha az különálló akkumulátorral működik.
- ◆ Vagy hagyja teljesen lemerülni az akkumulátort, ha az a géppel egybe van építve, majd ezután kapcsolja ki.
- ◆ Az akkumulátortöltőt tisztítás előtt csatlakoztassa le a hálózatról. A töltő a rendszeres tisztításon kívül nem igényel más karbantartást.
- ◆ Puha kefével vagy száraz törlőkendővel rendszeresen tisztítsa meg a gép/töltő szellőzőnyílásait.
- ◆ A motorburkolatot nedves ruhával tisztíthatja. Ne használjon súrolószert vagy oldószer alapú tisztítószereket.
- ◆ Rendszeresen nyissa ki a tokmányt (ha van rajta) és ütögesse meg, hogy a belsejéből kihulljon a por.

A környezet védelme



Elkülönítve gyűjtendő. A termék nem kezelhető normál háztartási hulladékként.

Ha egy nap úgy találja, hogy az Ön Black & Decker szerszáma cserére szorul vagy a továbbiakban nincs rá szüksége, ne dobja ki a háztartási hulladékkal együtt. Gondoskodjék elkülönített kezeléséről.



A használt termékek és a csomagolás elkülönített kezelése lehetővé teszi az anyagok újrafelhasználását. Az újrafelhasznált anyagok alkalmazása segít megelőzni a környezetszennyezést és csökkenti a nyersanyagszükségletet.

A helyi rendelkezések intézkedhetnek az elektromos termékek háztartási hulladéktól elkülönített gyűjtéséről a helyi hulladékgyűjtő helyeken, illetve olyan értelemben, hogy a helyi kereskedőnek kell gondoskodnia a termék visszavételéről új termék vásárlásakor.

A Black & Decker lehetőséget biztosít a Black & Decker termékek gyűjtésére és újrafeldolgozására, ha azok elérték élettartamuk végét. E szolgáltatás igénybevételéhez kérjük, vigye vissza a terméket

bármely szerződéses szervizképviselőnkbe, ahol vállalatunk képviselőjében gondoskodnak annak elkülönített összegyűjtéséről.

Az Önhöz legközelebb eső hivatalos márkaszervizt a kézikönyvben megadott helyi Black & Decker képviselő segítségével érheti el. Emellett a szerződött Black & Decker szervizek listája, illetve az eladásutáni szolgáltatásaink és azok elérhetőségének részletes ismertetése a következő internetes címen megtalálható: **www.2helpU.com**

Műszaki adatok

		AST15 TÍPUS 3	KG725 TÍPUS 3	KG900 TÍPUS 3
Bemeneti feszültség	V _{AC}	230	230	230
Felvett teljesítmény	W	900	701	900
Üresjárat fordulat/szám	min ⁻¹	10,000	10,000	10,000
Tárcsaméret	mm	115	125	100
Tárcsafurat	mm	22	22	16
Maximális korongvastagság				
csiszolókorong	mm	6	6	6
vágókorong	mm	3.5	3.5	3.5
Kihajtó tengely	mm	M14	M14	M10
Súly	kg	2.1	2.1	2.1

		KG915 TÍPUS 3	KG925 TÍPUS 3
Bemeneti feszültség	V _{AC}	230	230
Felvett teljesítmény	W	900	900
Üresjárat fordulat/szám	min ⁻¹	10,000	10,000
Tárcsaméret	mm	115	125
Tárcsafurat	mm	22	22
Maximális korongvastagság			
csiszolókorong	mm	6	6
vágókorong	mm	3.5	3.5
Kihajtó tengely	mm	M14	M14
Súly	kg	2.1	2.1

Hangnyomásszint az EN 60745 szabvány szerint:

Hangnyomás (L_{pA}) 91 dB(A), bizonytalanság (K) 3 dB(A)
Hangerő (L_{WA}) 102 dB(A), bizonytalanság (K) 3 dB(A)

Vibrációs összérték (triax vektorösszeg) az EN 60745 szerint:

Felületcsiszolás ($a_{h,AG}$) 7 m/s², bizonytalanság (K) 1.5 m/s²
Vágás (a_h) 2.5 m/s², bizonytalanság (K) 1.5 m/s²

CE megfelelőségi nyilatkozat

GÉPI BERENDEZÉSEKRE VONATKOZÓ IRÁNYELV



AST15, KG725, KG900, KG915, KG925

Black & Decker kinyilvánítja, hogy a "Műszaki adatok" részben ismertetett termékek megfelelnek a következő irányelveknek és szabványoknak:
2006/42/EC, EN60745-1, EN60745-2-3

Ezek a termékek a 2004/108/EK és a 2011/65/EU irányelveknek is megfelelnek.

Ha további információra lenne szüksége, lépjen kapcsolatba Black & Decker vállalattal a következőkben megadott elérhetőségeken, ill. lásd az elérhetőségeket a kézikönyv hátoldalán.

Az aláírás tulajdonosa a műszaki adatok összeállításáért felelős személy; nyilatkozatát a Black & Decker vállalat nevében adja.

Kevin Hewitt
Alelnök, Global Engineering
Black & Decker Europe, 210 Bath Road, Slough,
Berkshire, SL1 3YD
Egyesült Királyság
23/03/2012

Garancia határozat

A Black & Decker elhivatott a termékei minősége iránt, és kiterjesztett garanciát kínál. Ez a garanciahatározat csak kiegészíti és semmi esetre sem befolyásolja hátrányosan az Ön törvényes jogait. A garancia az Európai Unió tagállamai területén, valamint az Európai Szabadkereskedelmi Társulás (EFTA) területén érvényes.

Ha egy Black & Decker termék anyaghiba, összeszerelésbeli hiányosság vagy nem megfelelőség miatt a vásárlástól számított 24 hónapon belül meghibásodik, a Black & Decker szavatolja a hibás alkatrészek cseréjét és a rendkívüli igénybevételnek ki nem tett termék javítását, vagy a termék cseréjét a vásárlónak okozott minimális kényelmetlenség mellett az alábbi feltételekkel:

- A terméket nem használták kereskedelmi, ipari alkalmazásokhoz, és nem adták bérbe;
- A terméket rendeltetésszerűen és körültekintően használták;
- A termék nem idegen tárgyaktól, szennyeződéstől vagy külső behatástól sérült meg;

- A termék javítására nem tett kísérletet olyan személy, aki nem tartozik a hivatalos szerviz vagy a Black & Decker szervizszemélyzet tagjai közé.

A garancia érvényesítéséhez az eladónak vagy a hivatalos szerviznek be kell nyújtani a vásárláskor kapott számlát.

Ha igénybe veszi ezt a szolgáltatást, kérjük, juttassa el készülékét a legközelebbi Black & Decker szervizbe, melyekről a vevőszolgálaton érdeklődhet.

A szervizzel kapcsolatban a következő Internet oldalon is felvilágosítást kaphat: **www.2helpU.com**.

A következő meghibásodások esetén a garancia kizárt:

- Elhasználódott, illetve károsodott kések, és a hálózati kábel. Azok az alkatrészek, amelyek a normál használat során elkopnak.
- Azok a meghibásodások, amelyek a szakszerűtlen kezeléssel eredtek.
- Azok a hibák, amelyek a kezelési útmutató be nem tartásából eredtek.

Kizárólag csak eredeti Black & Decker tartozékok és alkatrészek alkalmazhatók. Ellenkező esetben teljesítménycsökkenés léphet fel, és a gép elveszti a garanciát. Ha garanciális igénye van, feltétlen mellékelje a jótállási jegyet és a vásárlási okmányokat (számlát).

BLACK & DECKER JÓTÁLLÁSI FELTÉTELEK

Gratulálunk Önnek ennek az értékes Black & Decker készülék megvásárlásához.

Azon termékeinkre, amelyet fogyasztói szerződés keretében háztartási, hobby célra vásárolnak **24 hónap jótállást biztosítunk**.

A termék iparszerű használatra nem alkalmas!

A jótállás a fogyasztó törvényből eredő jogait nem érinti.

- 1) A Stanley Black & Decker Hungary Kft. kötelezettséget vállal arra, hogy a jótállás keretében végzett javításokat a 49/2003. (VII.30.) GKM rendelet és a 151/2003. (IX.22.) Korm. rendelet szerint végzi a jótállás teljes időtartama alatt.
 - a) A fogyasztó jótállási igényét a jótállási jeggyel érvényesítheti, ezért azt őrizze meg.
 - b) Vásárláskor a forgalmazónak (kereskedőnek) a jótállási jegyen fel kell tüntetnie a termék típusát, gyártási számát, továbbá – amennyiben van ilyen – azonosításra alkalmas részének meghatározását, illetve a vásárlás időpontját. A jótállási jegyet a forgalmazó (kereskedő) nevében eljáró személynek alá kell írnia és a kereskedés azonosítására alkalmas tartalmú (minimum cégnév, üzlet címe) bélyegzővel olvashatóan le kell bélyegezni. Kérjük, kísérelje figyelemmel a jótállási jegy megfelelő érvényesítését, mivel a kijelölt szervizeknél a jótállási igény csak érvényes jótállási jeggyel érvényesíthető. Amennyiben a jótállási jegy szabálytalanul került kiállításra, jótállási igényével kérjük forduljon a terméket az Ön részére értékesítő partnerünkhöz (kereskedőhöz). A jótállási jegy szabálytalan kiállítása vagy a fogyasztó részére történő átadás elmaradása nem érinti a jótállási kötelezettségvállalás érvényességét. Kérjük, hogy a jótállási jegyen kívül a nyugtát vagy számlát is szíveskedjen megőrizni a gyorsabb és hatékonyabb ügyintézés érdekében.
 - c) Elvesztett jótállási jegyet csak a fogyasztói szerződés létrejöttét igazoló nyugta vagy számla ellenében tudunk pótolni!

2) Nem terjed ki a jótállás:

- a) amennyiben a hiba oka rendeltetésellenes, illetve a mellékelt magyar nyelvű használati kezelési útmutatóban foglaltaktól eltérő használat, átalakítás, szakszerűtlen kezelés, helytelen tárolás, elemi kár vagy egyéb a vásárlás után a fogyasztó érdekkörében keletkezett ok;
- b) amennyiben a terméket iparszerű (professzionális) célokra használták, kölcsönzési szolgáltatás nyújtásához használták fel (nem fogyasztói szerződés);
- c) azon alkatrészekre, amelyek esetében a meghibásodás a jótállási időn belüli rendeltetészerű használat mellett az alkatrészek természetes elhasználódása, kopása miatt következett be (így különösen: fűrészlánc, fűrészlap, gyalukés, meghatószíj, csapágyak, szénkefe, csillagkerék);
- d) a készülék túlterhelése miatt jelentkező hibákra, amelyek a hajtómű meghibásodásához, vagy egyéb ebből adódó károkhhoz vezetnek;
- e) a termék nem hivatalos szervizben történt javításából eredő hibákra;
- f) az olyan károsodásokra, amelyek nem eredeti Black & Decker kiegészítő készülékek és tartozékok használatából adódnak **amennyiben a szakszerviz bizonyítja, hogy a hiba a fenti okok valamelyikére vezethető vissza.**

- 3) A fogyasztó a javítás iránti igényét a forgalmazónál, illetve a jótállási jegyen feltüntetett javítószolgálatnál érvényesítheti.
 - a) Meghosszabbodik a jótállási idő a javítási idő azon részével, amely alatt a fogyasztó a terméket nem tudta rendeltetészerűen használni.
 - b) A jótállási jog érvényesíthetőségének határideje a terméknek vagy jelentősebb részének (motor állórész, forgórész, elektronika) javítása vagy kicserélése esetén a kicserélt, javított termékre (jelentősebb részére), valamint a javítás következményeként jelentkező hiba tekintetében újból kezdődik.
 - c) Ha a fogyasztási cikk a vásárlástól (üzembe helyezéstől) számított három munkanapon belül meghibásodik, a fogyasztó kérheti annak kicserélését feltéve, hogy a meghibásodás a rendeltetészerű használatot akadályozza. A Stanley Black & Decker Hungary Kft. a hiba létezése, illetve annak megállapítása céljából, hogy a hiba a rendeltetészerű használatot akadályozza, fenntartja a jogot a hibás termék bevizsgálására.
 - d) Amennyiben a jótállási igény bejelentését követően az igény teljesíthetőségéről azonnal nem nyilatkozunk, úgy három munkanapon belül kell értesítenünk a fogyasztót a reklamáció intézésének módjáról.
 - e) Ha a csere nem lehetséges, műszakilag hasonló készülék kerül felajánlásra, vagy visszafizetésre kerül a vételár.
- 4) A jótállás alapján történő javítás során a forgalmazónak (kereskedőnek) törekednie kell arra, hogy a javítást legfeljebb 15 napon belül megfelelő minőségben elvégezze, elvégeztesse.

A jótállás keretébe tartozó javítás esetén a forgalmazó, illetve a javítószolgálat a jótállási jegyen köteles feltüntetni:

- a javítási igény bejelentésének és a javításra átvétel időpontját,
- a hiba okát
- a javítás módját
- a termék fogyasztó részére történő visszaadásának időpontját,
- a jótállás – javítás időtartamával meghosszabbított – új határidejét.

A termék meghibásodása esetén a fogyasztót az alábbi jogok illetik meg:

Elsősorban - választása szerint - javítást vagy kicserélést követelhet.

A csereigény akkor megalapozott, ha a termék a fogyasztónak okozott jelentős kényelmetlenség nélkül, megfelelő minőségben és ésszerű határidőn belül, értékcsökkenés nélkül nem javítható ki, vagy nem kerül javításra.

Ha az előírt módon történő javításra, illetve kicserélésre vonatkozó kötelezettségének a forgalmazó nem tud eleget tenni, a fogyasztó – választása szerint – megfelelő árleszállítást igényelhet vagy elállhat a szerződéstől (a hibás áru visszaszolgáltatásával egyidejűleg kérheti a nyugtán vagy számlán feltüntetett bruttó vételár visszatérítését).

Jelentéktelen hiba miatt elállásnak nincs helye!

Kérjük, hogy a hiba felfedezését követő legrövidebb időn belül szíveskedjen azt a szervizben vagy a forgalmazónál bejelenteni. A javítást vagy kicserélést - a dolog tulajdonságaira és a fogyasztó által elvárható rendeltetésére figyelemmel - megfelelő határidőn belül, a fogyasztónak okozott jelentős kényelmetlenség nélkül kell elvégezni.

A fogyasztó a javítás iránti igényét a jótállási jegyen feltüntetett javítószolgálatnál, illetve a forgalmazó (kereskedő) üzletében érvényesítheti.

Gyártó:	Forgalmazó:
Black & Decker Europe,	Stanley Black & Decker Hungary Kft
210 Bath Road, Slough,	1016. Budapest,
Berkshire, SL13YD,	Mészáros u. 58/B
Egyesült Királyság	

Przeznaczenie

Szlifierka kątowa Black & Decker służy do szlifowania i cięcia metalu oraz betonu za pomocą odpowiedniej tarczy szlifierskiej lub tnącej. To urządzenie musi być wyposażone w odpowiednią osłonę i nie jest przewidziane do użytku profesjonalnego.

Zasady bezpiecznej pracy

Ogólne wskazówki dotyczące bezpiecznego użytkowania elektronarzędzi



Uwaga! Należy zapoznać się ze wszystkimi ostrzeżeniami dotyczącymi bezpiecznej pracy oraz z instrukcją obsługi. Nie stosowanie się do poniższych instrukcji może być przyczyną porażenia prądem elektrycznym, pożaru i/lub uszkodzenia ciała.

Zachowaj wszystkie instrukcje i informacje dotyczące bezpiecznej pracy, aby móc korzystać z nich w przyszłości.

Pojęcie "elektonarzędzie" używane w niniejszej instrukcji, oznacza narzędzie zasilane z sieci elektrycznej (przewodem zasilającym) lub akumulatorami (beprzewodowe).

1. **Bezpieczeństwo w miejscu pracy**
 - a. **Dbaj o czystość i dobre oświetlenie w miejscu pracy.** Bałagan i złe oświetlenie są częstą przyczyną wypadków.
 - b. **Nie używaj elektronarzędzi w strefach zagrożonych wybuchem, na przykład w pobliżu palnych cieczy, gazów lub pyłów.** Elektronarzędzia mogą wytworzyć iskry powodujące zapłon pyłów lub oparów.
 - c. **W czasie pracy elektronarzędziami nie pozwalaj na przebywanie w pobliżu dzieci i innych osób postronnych.** Brak skupienia może spowodować utratę kontroli nad narzędziem.
2. **Ochrona przed porażeniem prądem elektrycznym**
 - a. **Gniazdo musi być dostosowane do wtyczki elektronarzędzia. Nie wolno przerabiać wtyczek. Nie wolno używać przejściówek do zasilania uziemionych elektronarzędzi.** Używanie nieprzerobionych wtyczek i odpowiednich gniazd zmniejsza ryzyko porażenia prądem elektrycznym.
 - b. **Należy unikać bezpośredniej styczności z uziemionymi lub zerowanymi powierzchniami, takimi jak rurociągi, grzejniki, kuchenki i lodówki.** Ryzyko porażenia prądem elektrycznym wzrasta, jeśli twoje ciało jest zerowane lub uziemione.
 - c. **Nie narażaj elektronarzędzi na działanie deszczu lub zwiększonej wilgotności.** Dostanie się wody do wnętrza elektronarzędzia zwiększa ryzyko porażenia prądem elektrycznym.
 - d. **Nie wolno ciągnąć za przewód zasilający. Nie wolno przenosić urządzenia ani wyciągać wtyczki z gniazda ciągnąc za przewód zasilający. Chroń przewód zasilający przed kontaktem z gorącymi elementami, olejami, ostrymi krawędziami i ruchomymi częściami.** Uszkodzenie lub zaplątanie przewodu zasilającego zwiększa ryzyko porażenia prądem elektrycznym.
 - e. **W czasie pracy na dworze, należy używać wyłącznie przedłużaczy przystosowanych do użycia poza pomieszczeniami zamkniętymi.** Korzystanie z przedłużaczy przystosowanych do użycia na dworze, zmniejsza ryzyko porażenia prądem.
 - f. **Jeśli zachodzi konieczność używania narzędzia w wilgotnym otoczeniu, należy używać źródła zasilania zabezpieczonego wyłącznikiem różnicowoprądowym.** Stosowanie wyłączników różnicowoprądowych zmniejsza ryzyko porażenia prądem elektrycznym.
3. **Środki ochrony osobistej**
 - a. **W czasie pracy elektronarzędziem zachowaj czujność, patrz uważnie i kieruj się zdrowym rozsądkiem. Nie używaj elektronarzędzi, jeżeli jesteś zmęczony, pod wpływem narkotyków, alkoholu czy leków.** Nawet chwila nieuwagi, w czasie pracy elektronarzędziem, może doprowadzić do poważnego uszkodzenia ciała.
 - b. **Używaj środków ochrony osobistej. Zawsze zakładaj okulary ochronne.** Używanie w zależności od potrzeb środków ochrony osobistej takich, jak maska przeciwpyłowa, buty wzmocnione z antypoślizgową podeszwą, kask oraz ochrona słuchu, pozwala zmniejszyć zagrożenia dla zdrowia.
 - c. **Zapobiegaj przypadkowemu włączeniu. Przed przyłączeniem do źródła zasilania i/lub włożeniem akumulatorów oraz przenoszeniem narzędzia, należy upewnić się, że wyłącznik znajduje się w pozycji "wyłączone".**

Trzymanie palca na wyłączniku w czasie przenoszenia elektronarzędzi lub podłączania do zasilania, gdy wyłącznik jest w pozycji "włączone", może łatwo stać się przyczyną wypadku.

- d. **Przed włączeniem elektronarzędzia, należy odłączyć wszystkie klucze i narzędzia do regulacji.** Pozostawienie klucza lub narzędzia do regulacji połączonego z częściami wirującymi elektronarzędzia może spowodować uszkodzenie ciała.
- e. **Nie wychylaj się. Nie wychylaj się i przyjmij stabilną pozycję, aby zawsze zachowywać równowagę.** Umożliwia to lepszą kontrolę nad narzędziem w nieoczekiwanych sytuacjach.
- f. **Założ odpowiedni strój. Nie noś luźnego ubrania lub biżuterii.** Trzymaj włosy, ubranie i rękawice z dala od ruchomych elementów. Luźne ubranie, biżuteria lub długie włosy mogą zostać pochwycone przez ruchome części.
- g. **Jeśli sprzęt jest przystosowany do przyłączenia urządzeń odprowadzających i zbierających pył, upewnij się, czy są one przyłączone i właściwie użytkowane.** Użycie takich urządzeń może zmniejszyć niebezpieczeństwa wynikające z obecności pyłów.

4. Obsługa i konserwacja elektronarzędzi

- a. **Nie wolno przeciążać elektronarzędzi. Używaj elektronarzędzi odpowiednich do wykonywanej pracy.** Dzięki odpowiednim elektronarzędziom wykonasz pracę lepiej i w sposób bezpieczny, w tempie, do jakiego narzędzie zostało zaprojektowane.
- b. **Nie wolno używać elektronarzędzia z zepsutym wyłącznikiem, który nie pozwala na sprawne włączanie i wyłączanie.** Elektronarzędzie, którego pracy nie można kontrolować wyłącznikiem, jest niebezpieczne i musi zostać naprawione.
- c. **Przed przystąpieniem do regulacji, wymiany akcesoriów oraz przed schowaniem elektronarzędzia, należy odłączyć wtyczkę od źródła zasilania i/lub odłączyć akumulator od urządzenia.** Stosowanie takich środków zapobiegawczych zwiększa bezpieczeństwo i zmniejsza ryzyko przypadkowego uruchomienia elektronarzędzia.
- d. **Nie używane elektronarzędzie przechowuj poza zasięgiem dzieci i nie dopuszczaj osób nie znających elektronarzędzia lub tej instrukcji do posługiwania się elektronarzędziem.** Elektronarzędzia obsługiwane przez osoby nieprzygotowane stanowią zagrożenie.

- e. **Regularnie dokonuj konserwacji elektronarzędzi. Sprawdź, czy ruchome części są właściwie połączone i zamocowane, czy części nie są uszkodzone oraz skontroluj wszelkie inne elementy mogące mieć wpływ na pracę elektronarzędzia. Uszkodzenia należy naprawić przed przystąpieniem do użytkowania.** Wiele wypadków spowodowanych jest przez niedostateczną konserwację elektronarzędzi.
 - f. **Dbaj o czystość narzędzi i ostrość elementów tnących.** Zadbane narzędzia tnące, z ostrymi krawędziami tnącymi, rzadziej się zacinają i są łatwiejsze w prowadzeniu.
 - g. **Elektronarzędzia, akcesoriów i końcówek należy używać zgodnie z niniejszą instrukcją obsługi, uwzględniając warunki i rodzaj wykonywanej pracy.** Użycie elektronarzędzia w sposób niezgodny z przeznaczeniem może być bardzo niebezpieczne.
- #### 5. Naprawy
- a. **Powierzaj naprawy elektronarzędzi wyłącznie osobom wykwalifikowanym, używającym identycznych części zamiennych.** Zapewni to dalsze bezpieczne użytkowanie narzędzia.

Bezpieczne użytkowanie elektronarzędzi - wskazówki dodatkowe



Uwaga! Dodatkowe wskazówki bezpieczeństwa dotyczące szlifowania, ścierania, polerowania, szczotkowania oraz cięcia.

- ◆ **Opisywane elektronarzędzie przeznaczone jest do szlifowania, ścierania, szczotkowania i cięcia. Należy zapoznać się ze wszystkimi zaleceniami dotyczącymi bezpieczeństwa i obsługi oraz rysunkami i danymi umieszczonymi w dołączonej do elektronarzędzia instrukcji obsługi.** Nie stosowanie się do wszystkich poniższych instrukcji może stać się przyczyną porażenia prądem elektrycznym, pożaru i/lub poważnego zranienia.
- ◆ **Użycie niezgodnie z przeznaczeniem może być niebezpieczne i spowodować zranienie.**
- ◆ **Nie wolno używać akcesoriów, które nie są specjalnie zaprojektowane i zalecane przez producenta.** Sama możliwość przyłączenia akcesoriów, nie zapewnia bezpieczeństwa ich użytkowania.

- ◆ **Znamionowa prędkość robocza używanych akcesoriów musi być przynajmniej równa maksymalnej prędkości roboczej elektronarzędzia.** Użycie akcesoriów nieprzystosowanych do pracy z taką prędkością, może spowodować ich pęknięcie i rozrzućenie.
 - ◆ **Średnica zewnętrzna i grubość akcesoriów musi mieścić się w przedziale podanym dla danego elektronarzędzia.** Użycie akcesoriów o złych wymiarach nie pozwala na odpowiednią ich osłonę i kontrolę pracy.
 - ◆ **Rozmiar osiek akcesoriów (tarcz, podkładek lub innych) musi być odpowiednio dobrana do wrzeczona elektronarzędzia.** Akcesoria, których otwory nie pasują do elektronarzędzia, nie będą wyważone, będą zbyt wibrować i spowodować utratę kontroli nad urządzeniem.
 - ◆ **Nie wolno używać uszkodzonych akcesoriów. Przed każdym użyciem należy sprawdzić stan akcesoriów - czy tarcze nie są pęknięte, połamane lub rozwarstwione, czy szczotki nie mają poluzowanego włosia. Jeśli elektronarzędzie upadnie, należy sprawdzić czy nie uległo uszkodzeniu i ewentualne uszkodzone części wymienić. Po sprawdzeniu i zamocowaniu danego akcesorium, należy włączyć urządzenie z pełną prędkością na jedną minutę. Uszkodzone akcesoria zwykle pękają w czasie takiego testu.**
 - ◆ **Należy używać środków ochrony osobistej. W zależności od wykonywanej pracy, należy używać osłony na twarz, gogli lub okularów ochronnych. W razie potrzeby należy zakładać maskę ochronną, ochronę słuchu, rękawice i fartuch, które zatrzymają drobne cząsteczki lub fragmenty obrabianego materiału.** Ochrona oczu musi zatrzymywać cząsteczki powstające w trakcie prac różnego rodzaju. Rodzaj maski przeciwpyłowej lub oddechowej, należy dobrać w zależności od rodzaju przeprowadzanych prac. Długotrwała ekspozycja na hałas o dużym natężeniu, może spowodować uszkodzenie słuchu.
 - ◆ **Osoby postronne powinny znajdować się w bezpiecznej odległości od miejsca pracy. Każda osoba zbliżająca się do miejsca pracy powinna być wyposażona w sprzęt ochrony osobistej.** Części obrabianego elementu lub pękniętych akcesoriów mogą zostać odrzucone na dużą odległość i zranić osoby przebywające także poza bezpośrednią bliskością miejsca pracy.
 - ◆ **Do trzymania urządzenia wykorzystuj wyłącznie izolowane powierzchnie**
- uchwytów, ponieważ pas szlifierski / podstawa szlifierska mogą dotknąć przewodu zasilającego.** Przecięcie przewodu z prądem może spowodować pojawienie się napięcia na metalowych częściach obudowy i porażenie prądem operatora.
 - ◆ **Trzymać przewód zasilania z dala od wirujących elementów urządzenia.** W razie utraty kontroli, przewód może zostać przecięty lub nawinięty a dłoń lub ramię wciągnięte w element wirujący.
 - ◆ **Nie wolno odkładać urządzenia, dopóki tarcza nie zatrzyma się całkowicie.** Ruchome elementy mogą zaczepić się o podłoże i niekontrolowanie pociągnąć narzędzie.
 - ◆ **Nie wolno uruchamiać narzędzia w czasie przenoszenia i gdy jest blisko ciała.** Przypadkowy kontakt z wirującym elementem może spowodować wciągnięcie ubrania i przyciągnięcie narzędzia do ciała.
 - ◆ **Okresowo czyścić otwory wentylacyjne elektronarzędzia.** Wentylator silnika wciąga zabrudzenia, których duże nagromadzenie może powodować zagrożenie porażeniem prądem elektrycznym.
 - ◆ **Nie wolno uruchamiać elektronarzędzia w pobliżu palnych materiałów.** Powstające iskry mogą spowodować zapłon tych materiałów.
 - ◆ **Nie wolno używać akcesoriów, które wymagają chłodzenia cieczą.** Użycie wody lub innych płynów do chłodzenia może spowodować porażenie prądem elektrycznym.
- Uwaga:** Powyższe ostrzeżenie nie dotyczy elektronarzędzi specjalnie przystosowanych do chłodzenia cieczą.
- Niebezpieczeństwo gwałtownego odrzutu - ostrzeżenia**
- Gwałtowny odrzut narzędzia jest to nagła reakcja na zatrzymanie lub zaklinowanie tarczy wirującej, podkładki szlifierskiej, szczotki lub innych akcesoriów.
- Zakleszczenie lub ścieranie powoduje gwałtowne zatrzymanie elementu wirującego, co w efekcie wymusza obrót narzędzia w kierunku przeciwnym do obrotu tarczy wokół miejsca zakleszczenia.
- Na przykład, jeśli tarcza szlifierska zaklinuje się w obrabianym elemencie, brzeg tarczy może wbić się w powierzchnię materiału i spowodować przetoczenie się tarczy lub jej gwałtowne odepchnięcie. Tarcza może wyskoczyć w kierunku operatora lub w drugą

stronę, w zależności od kierunku obrotów w chwili zakleszczenia.

W takim przypadku może także pęknąć tarcza szlifierska.

Zjawisko gwałtownego odrzutu szlifierki jest wynikiem niewłaściwego zastosowania i/lub niewłaściwego postępowania lub warunków pracy. Można mu zapobiegać podejmując opisane niżej działania:

- ◆ **Mocno trzymać elektronarzędzie za uchwyty oraz ustawić się w takiej pozycji, aby móc przeciwstawić się siłom odrzutu. Należy zawsze używać dołączonej dodatkowej rekojeści, która umożliwia maksymalną kontrolę nad siłami gwałtownego odrzutu lub momentem obrotowym powstającym w czasie rozruchu.** Operator może opanować gwałtowne ruchy narzędzia, jeśli podejmie odpowiednie środki zapobiegawcze.
- ◆ **Nie wolno zbliżać ręki do wirujących akcesoriów.**
Gwałtowny odrzut może spowodować dotknięcie elementu do ręki.
- ◆ **Nie wolno ustawiać się w obszarze, w który może zostać odepchnięte narzędzie.** Narzędzie zostanie odrzucone w kierunku przeciwnym do kierunku obrotu tarczy.
- ◆ **Zachować szczególną ostrożność w czasie pracy w rogach, obróbki ostrych krawędzi, itp. Unikać podskakiwania i zaczepiania tarczy.**
W przypadku pracy w narożnikach lub przy ostrych krawędziach, tarcza ma tendencję do obsuwania się, co prowadzi do utraty kontroli nad narzędziem.
- ◆ **Nie wolno zakładać tarcz z łańcuchem lub zębami.** Użycie takich tarcz powoduje częsty odrzut narzędzia i utratę kontroli nad nim.

Dodatkowe wskazówki dotyczące bezpiecznego szlifowania i cięcia

Dodatkowe ostrzeżenia dotyczące bezpiecznego szlifowania i cięcia

- ◆ **Należy używać wyłącznie tarcz przeznaczonych do danego typu narzędzia oraz dobranych do nich osłon.** W przypadku nieprawidłowego doboru tarcz, osłona nie stanowi odpowiedniej ochrony i użytkowanie narzędzia jest niebezpieczne.
- ◆ **Osłona powinna być solidnie zamocowana do elektronarzędzia tak, aby osłaniać jak największą część tarczy od strony operatora.** Osłona stanowi ochronę przed

przypadkowym dotknięciem tarczy oraz przez odłamkami, w razie pęknięcia tarczy.

- ◆ **Tarcz należy używać wyłącznie zgodnie z ich przeznaczeniem. Na przykład nie wolno używać tarcz tnących do szlifowania.** Tarcze szlifierskie do cięcia są przystosowane do obciążeń poprzecznych do osi obrotu. Wywieranie na nie siły bocznej może spowodować ich połamanie.
- ◆ **Należy używać wyłącznie takich podkładek do tarcz, które są odpowiednio dobrane do danego typu tarczy oraz nie posiadają śladów uszkodzeń.** Odpowiednio dobrane podkładki podpierają tarczę i zmniejszają tym samym ryzyko pęknięcia tarczy. Podkładki do tarcz tnących i szlifierskich mogą się różnić.
- ◆ **Nie wolno używać startych tarcz z narzędzi o większych średnicach.** Tarcze przeznaczone do większych narzędzi nie nadają się do wykorzystania w mniejszych narzędziach, z powodu wyższych prędkości obrotowych i niebezpieczeństwa rozerwania.

Dodatkowe wskazówki bezpieczeństwa dotyczące pracy przy ścinaniu szlifierką

- ◆ **Nie wolno zbyt mocno dociskać tarczy i doprowadzać do jej zatrzymania. Nie wolno wykonywać zbyt głębokich cięć.** Przeciążanie tarczy zwiększa obciążenie urządzenia oraz prawdopodobieństwo wygięcia i zaklinowania tarczy w szczelinie oraz możliwość gwałtownego odrzutu szlifierki lub połamania tarczy.
- ◆ **Nie wolno ustawiać się w linii obrotu oraz za wirującą tarczą.** Jeśli tarcza w miejscu kontaktu z materiałem obraca się w kierunku od operatora, wzrasta prawdopodobieństwo odrzucenia narzędzie w kierunku operatora, gdy dojdzie do gwałtownego odrzutu szlifierki.
- ◆ **W razie zaklinowania tarczy lub przerwania pracy z innego powodu, należy wyłączyć elektronarzędzie i trzymać je nieruchomo aż do całkowitego zatrzymania tarczy. Nigdy nie wolno próbować wyjąć tarczy tnącej ze szczeliny cięcia w czasie, gdy tarcza się obraca, ponieważ może to spowodować gwałtowne odrzucenie szlifierki.** Należy sprawdzić przyczyny blokowania tarczy i zapobiegać im.
- ◆ **Nie wolno wznawiać cięcia, gdy tarcza wsunięta jest do szczeliny cięcia. Pozwolić na całkowite rozpędzenie się tarczy i dopiero kontynuować cięcie.** Tarcza może się zakleszczyć, przetoczyć lub wyskoczyć w przypadku ponownego włączenia urządzenia, gdy tarcza jest w szczelinie.

- ◆ **Duże elementy i płyty należy podeprzeć tak, aby zmniejszyć ryzyko przycięcia tarczy i gwałtownego odrzutu.**

Duże elementy opadają pod własnym ciężarem. Podpory należy umieścić od spodu, na brzegu elementu oraz w pobliżu linii cięcia, po obu stronach tarczy.

- ◆ **Należy zachować szczególną ostrożność w czasie wcinania się w istniejącą ścianę lub inne osłonięte miejsca.** Tarcza może przeciąć ukryte rury z wodą, gazem, przewody z prądem lub inne elementy, co spowoduje gwałtowny odrzut szlifierki.

Zasady bezpiecznej pracy szlifierkami - szlifowanie

- ◆ **Nie wolno używać zbyt dużych dysków papieru szlifierskiego.** Przy wyborze tarcz uwzględnić zalecenia producenta. Dyski papieru ściernego wystające ponad podkładkę szlifierską są niebezpieczne - mogą spowodować zranienie, zniszczenie podkładki lub zjawisko gwałtownego odrzutu szlifierki.

Zasady bezpiecznej pracy szlifierkami - polerowanie

- ◆ **Nie dopuszczać do swobodnego wirowania części materiału polerskiego lub jego mocowań. Należy zamocować lub przyciąć luźne fragmenty.** Wirujące luźne paski od akcesoriów mogą owinąć się wokół palców lub zahaczyć o obrabiany element.

Ostrzeżenia dotyczące pracy ze szczotkami:

- ◆ **Uważaj, ponieważ włosie szczotki wylatuje nawet w czasie wykonywania zwykłych prac. Nie należy przeciążać szczotki przez zbyt mocne dociskanie.** Włoski ze szczotki łatwo przechodzą przez lekkie ubranie i/lub skórę.
- ◆ **Jeśli użycie osłony jest zalecane, nie wolno dopuszczać do tarcia szczotki o osłonę.** Średnica tarcz drucianych i szczotek może się zwiększać w czasie pracy pod obciążeniem lub w wyniku działania sił odśrodkowych.

Bezpieczeństwo osób postronnych

- ◆ Opisywane urządzenie nie jest przeznaczone do użycia przez osoby o obniżonych możliwościach fizycznych, ruchowych lub umysłowych (także dzieci) lub o zbyt małej wiedzy i doświadczeniu, jeśli nie zostały one przeszkolone lub nie pozostają pod opieką osoby odpowiedzialnej za ich bezpieczeństwo.

- ◆ Należy pilnować dzieci, aby nie bawiły się urządzeniem.

Drgania

Podawana w tabeli danych technicznych oraz w deklaracji zgodności z normami wartość drgań (wibracji), została zmierzona zgodnie ze standardową procedurą zawartą w normie EN 60745. Informacja ta może służyć do porównywania tego narzędzia z innymi. Deklarowana wartość emitowanych drgań może również służyć do przewidywania stopnia narażenia użytkownika na wibracje.

Uwaga! Chwilowa siła drgań, występująca w czasie pracy elektronarzędziem, może odbiegać od podawanych wartości, w zależności od sposobu użytkowania urządzenia. Poziom wibracji może przekroczyć podawaną wartość.

Przy określaniu ekspozycji na wibracje, w celu podjęcia środków ochrony osób zawodowo użytkujących elektronarzędzia, zgodnie z normą 2002/44/EC należy uwzględnić rzeczywiste warunki i rodzaj wykonywanej pracy. Także okresy przestoju i pracy bez obciążenia.

Symbole na urządzeniu



Uwaga! Aby zminimalizować ryzyko zranienia, użytkownik musi zapoznać się z instrukcją obsługi.



W czasie pracy opisywanym narzędziem noś okulary ochronne albo gogle.



Stosuj ochronę słuchu w czasie pracy.

Ochrona przed porażeniem prądem elektrycznym



Opisywane elektronarzędzie jest podwójnie izolowane; dlatego nie ma konieczności stosowania dodatkowego uziemienia. Należy zawsze upewniać się, czy napięcie zasilania zgodne jest z wartością podaną na tabliczce znamionowej.

- ◆ Ze względów bezpieczeństwa wymianę uszkodzonego przewodu zasilającego należy powierzyć producentowi lub autoryzowanemu centrum serwisowemu Black & Decker.

Wyposażenie

Opisywane narzędzie wyposażone jest w kilka lub wszystkie z poniższych elementów.

1. Wyłącznik
2. Dodatkowa rękojeść
3. Blokada wrzeciona
4. Osłona

Montaż

Uwaga! Przed rozpoczęciem montażu upewnić się, czy narzędzie jest wyłączone i wtyczka zasilająca jest odłączona.

Montaż i demontaż osłony (Rys. A i B)

Opisywane urządzenie wyposażone jest w osłonę używaną przy szlifowaniu. W przypadku cięcia należy założyć inną, przeznaczoną do tego osłonę. Osłonę używaną w czasie cięcia można nabyć w serwisach Black & Decker - numer części 1004484-00.

Montaż

- ◆ Położyć narzędzie na stole z wrzecionem (5) skierowanym do góry.
- ◆ Nałożyć podkładkę sprężystą (6) na wrzeciono i umieścić ją na nasadzie (7).
- ◆ Nałożyć osłonę (4) na narzędzie, jak pokazano na rysunku.
- ◆ Nałożyć kołnierz (8) na wrzeciono wypustami w stronę osłony. Otwory w kołnierzu mają pokrywać się z otworami na śruby.
- ◆ Zamocować kołnierz za pomocą śrub (9). Upewnić się czy śruby są mocno dokręcone i czy osłonę można obracać.

Demontaż

- ◆ Odkręcić śrubokrętem śruby (9).
 - ◆ Zdjąć kołnierz (8), osłonę (4) i podkładkę sprężystą (7).
- Części przechowuj w bezpiecznym miejscu.

Uwaga! Nie wolno używać narzędzia bez osłony.

Montaż dodatkowej rękojeści

- ◆ Wkręcić dodatkową rękojeść (2) w otwór montażowy w narzędziu.

Uwaga! Zawsze używaj dodatkowej rękojeści.

Montaż i demontaż tarcz szlifierskich lub tnących (Rys. C - E)

Zawsze używaj tarczy przeznaczonej do danej pracy.

Używaj tylko tarcz o właściwej średnicy i wielkości otworu tarczy (patrz dane techniczne).

Montaż

- ◆ Zamocować osłonę postępując zgodnie z powyższą instrukcją.
- ◆ Umieścić pierścień wewnętrzny (10) na wrzecionie (5), jak pokazano na rysunku (Rys. C). Upewnić się, że pierścień jest umiejscowiony prawidłowo i przylega gładką stroną do osi.
- ◆ Umieścić tarczę (11) na wrzecionie (5) jak pokazano na rysunku (Rys. C).
Jeśli tarcza posiada uwypuklenie na środku (12), powinno znajdować się ono od strony pierścienia wewnętrznego.
- ◆ Upewnić się czy tarcza jest prawidłowo umieszczona na pierścieniu wewnętrznym.
- ◆ Założyć pierścień zewnętrzny (13) na wrzeciono. Jeśli montowana jest tarcza szlifierska, wypukły środek nakrętki zewnętrznej musi być skierowany do wewnątrz (A na Rys. D). Jeśli montowana jest tarcza tnąca, wypukły środek nakrętki zewnętrznej musi być skierowany na zewnątrz (B na Rys. D).
- ◆ Trzymać wciśniętą blokadę wrzeciona (3) i dokręcić pierścień zewnętrzny za pomocą klucza z dwoma trzpieniami (14) (Rys. E).

Demontaż

- ◆ Trzymając wciśniętą blokadę wrzeciona (3) odkręcić pierścień zewnętrzny (13) przy użyciu klucza z dwoma trzpieniami (14) (Rys. E).
- ◆ Zdjąć pierścień zewnętrzny (13) i tarczę (11).

Montaż i demontaż tarcz polerskich (Rys. E i F)

Do polerowania potrzebna jest specjalna podkładka. Podkładki można nabyć u miejscowego sprzedawcy sprzętu Black & Decker.

Montaż

- ◆ Umieścić pierścień wewnętrzny (10) na wrzecionie (5), jak pokazano na rysunku (Rys. F). Upewnić się, że pierścień jest umiejscowiony prawidłowo i przylega gładką stroną do osi.
- ◆ Nałożyć podkładkę szlifierską (15) na wrzeciono.
- ◆ Umieścić tarczę ścierną (16) na podkładce.
- ◆ Umieścić pierścień zewnętrzny (13) na wrzecionie tak, aby gładka strona przylegała do tarczy.
- ◆ Trzymać wciśniętą blokadę wrzeciona (3) i dokręcić pierścień zewnętrzny za pomocą klucza z dwoma trzpieniami (14) (Rys. E). Upewnić się, że nakrętka zewnętrzna została zamontowana poprawnie oraz tarcza przylega do podkładki.

Demontaż

- ◆ Trzymając wciśniętą blokadę wrzeciona (3) odkręcić pierścień zewnętrzny (13) przy użyciu klucza z dwoma trzpieniami (14) (Rys. E).
- ◆ Zdjąć pierścień zewnętrzny (13), tarczę ścierną (16) i podkładkę szlifierską (15).

Pozostałe zagrożenia

W czasie pracy elektronarzędziem mogą powstać zagrożenia, które nie zostały uwzględnione w załączonej instrukcji dotyczącej bezpiecznego użytkowania. Zagrożenia te mogą wynikać z niewłaściwego użytkowania, zbyt intensywnej eksploatacji lub tp.

Nawet w przypadku przestrzegania zasad bezpiecznej pracy i stosowania środków ochronnych, nie jest możliwe uniknięcie pewnych zagrożeń. Należą do nich:

- ◆ Zranienia wynikające z dotknięcia wirujących / ruchomych elementów.
- ◆ Zranienia w czasie wymiany części, ostrzy lub akcesoriów.
- ◆ Zranienia związane ze zbyt długotrwałym używaniem narzędzia. Pracując przez dłuższy czas, należy robić regularne przerwy.
- ◆ Ryzyko uszkodzenia słuchu.
- ◆ Zagrożenie dla zdrowia spowodowane wdychaniem pyłu wytwarzanego podczas użytkowania urządzenia (np.: podczas pracy w drewnie, szczególnie dębowym, bukowym oraz MDF).

Eksploatacja

Uwaga! Pozwól narzędziu pracować w jego własnym tempie. Nie przeciążaj narzędzia.

- ◆ Chroń przewód zasilający, aby uniknąć przecięcia go.
- ◆ Bądź przygotowany na pojawienie się iskier, kiedy tarcza dotknie obrabianego elementu.
- ◆ Ustawiaj narzędzie w takiej pozycji, w której osłona tarczy zapewnia optymalną ochronę.

Włączanie i wyłączanie

- ◆ Aby włączyć urządzenie, przesunąć wyłącznik (1) do przodu. Pamiętaj, że narzędzie będzie pracowało po puszczeniu wyłącznika.
- ◆ Aby wyłączyć urządzenie, naciśnij tylną część wyłącznika.

Uwaga! Nie wyłączaj obciążonego urządzenia.

Wskazówki praktyczne

- ◆ Trzymaj mocno narzędzie jedną ręką za uchwyt boczny a drugą za uchwyt główny.
- ◆ W czasie szlifowania utrzymuj kąt ok. 15° pomiędzy tarczą a szlifowaną powierzchnią.

Konserwacja

Narzędzia Black & Decker zostały zaprojektowane tak, aby zapewnić długoletnią, prawie bezobsługową, pracę urządzenia. Aby długo cieszyć się właściwą pracą urządzenia, należy odpowiednio z nim postępować i regularnie je czyścić.

Uwaga! Przed przystąpieniem do konserwacji elektronarzędzi zasilanych przewodem zasilającym / akumulatorami:

- ◆ Wyłącz urządzenie i wyjmij wtyczkę z kontaktu.
- ◆ Lub wyłącz i odłącz akumulator od urządzenia, jeśli urządzenie jest wyposażone w oddzielny akumulator.
- ◆ Jeśli akumulator jest zintegrowany, należy go całkowicie rozładować a następnie wyłączyć urządzenie.
- ◆ Przed czyszczeniem wyjąć wtyczkę ładowarki z gniazda zasilającego. Ładowarka nie wymaga, oprócz okresowego czyszczenia, żadnej dodatkowej konserwacji.
- ◆ Okresowo czyścić otwory wentylacyjne urządzenia/narzędzia/ładowarki za pomocą miękkiej szczoteczki lub suchej ściereczki.
- ◆ Okresowo czyścić obudowę silnika za pomocą wilgotnej ściereczki. Nie wolno używać preparatów do szorowania, ani zawierających rozpuszczalniki.
- ◆ Okresowo rozkręcać szczęki zaciskowe i wytrzeć z nich gromadzący się pył.

Ochrona środowiska



Selektywna zbiórka odpadów. Opisywanego produktu nie wolno utylizować razem ze zwykłymi śmieciami z gospodarstw domowych.

Gdy okaże się, że konieczna jest wymiana posiadanego narzędzia Black & Decker lub nie będzie się go więcej używać, nie należy wyrzucać go razem ze śmieciami z gospodarstwa domowego. Należy przekazać produkt do punktu selektywnej zbiórki odpadów.



Selektywna zbiórka zużytych produktów i opakowań pozwala na powtórne wykorzystanie użytych materiałów. Powtórne użycie materiałów pomaga chronić środowisko naturalne przed zanieczyszczeniem i zmniejsza zapotrzebowanie na surowce.

Lokalne przepisy mogą zapewniać możliwość selektywnej zbiórki zużytych urządzeń elektrycznych z gospodarstw domowych na miejskich wysypiskach

śmiec lub u sprzedawcy, w przypadku zakupu nowego urządzenia.

Black & Decker zapewnia możliwość zbiórki i recyklingu swoich produktów po zakończeniu okresu eksploatacji. Aby skorzystać z tej możliwości, prosimy je zwrócić do jednego z Autoryzowanych Przedstawicieli Serwisowych.

Lista autoryzowanych przedstawicieli serwisowych Black & Decker oraz informacje na temat naszego serwisu posprzedażnego, dostępne są na stronie internetowej: www.2helpU.com

Dane techniczne

		AST15 TYP 3	KG725 TYP 3	KG900 TYP 3
Napięcie zasilania	V_{AC}	230	230	230
Moc elektryczna	W	900	701	900
Prędkość bez obciążenia	min^{-1}	10,000	10,000	10,000
Średnica tarczy	mm	115	125	100
Średnica otworu	mm	22	22	16
Maksymalna grubość tarczy				
tarcze szlifujące	mm	6	6	6
tarcze tnące	mm	3.5	3.5	3.5
Wrzeciono	mm	M14	M14	M10
Waga	kg	2.1	2.1	2.1

		KG915 TYP 3	KG925 TYP 3
Napięcie zasilania	V_{AC}	230	230
Moc elektryczna	W	900	900
Prędkość bez obciążenia	min^{-1}	10,000	10,000
Średnica tarczy	mm	115	125
Średnica otworu	mm	22	22
Maksymalna grubość tarczy			
tarcze szlifujące	mm	6	6
tarcze tnące	mm	3.5	3.5
Wrzeciono	mm	M14	M14
Waga	kg	2.1	2.1

Poziom ciśnienia akustycznego, zgodnie z EN 60745:

Ciśnienie akustyczne (L_{pA}) 91 dB(A), wahania (K) 3 dB(A)
Moc akustyczna (L_{WA}) 102 dB(A), wahania (K) 3 dB(A)

Sumaryczna wartość drgań (suma wektorów trzech osi), zgodnie z EN 60745:

Szlifowanie powierzchni ($a_{h,AG}$) 7 m/s^2 , wahania (K) 1,5 m/s^2
Cięcie (a_h) 2,5 m/s^2 , wahania (K) 1,5 m/s^2

Deklaracja zgodności UE

DYREKTYWA MASZYNOWA



AST15, KG725, KG900, KG915, KG925

Firma Black & Decker oświadcza, że opisywane szlifierki AST6/CD105/CD110/CD115 spełniają wymagania norm:
2006/42/EC, EN60745-1, EN60745-2-3

Te produkty są również zgodne z zapisami dyrektyw 2004/106/WE oraz 2011/65/UE.

Aby otrzymać więcej informacji, należy skontaktować się z firmą Black & Decker pod adresem podanym poniżej lub na końcu instrukcji.

Niżej podpisana osoba odpowiedzialna jest za zestawienie informacji technicznych i składa niniejszą deklarację w imieniu firmy Black & Decker.

Kevin Hewitt
Vice-President Global Engineering
Black & Decker Europe, 210 Bath Road, Slough,
Berkshire, SL1 3YD
Wielka Brytania
23/03/2012

Black & Decker

WARUNKI GWARANCJI:

Produkty marki Black & Decker reprezentują bardzo wysoką jakość, dlatego oferujemy dla nich korzystne warunki gwarancyjne. Niniejsze warunki gwarancji nie pomniejszają praw klienta wynikających z polskich regulacji ustawowych lecz są ich uzupełnieniem. Gwarancja jest ważna na terenie Rzeczypospolitej Polskiej. Black & Decker gwarantuje sprawne działanie produktu w przypadku postępowania zgodnego z warunkami techniczno-eksploatacyjnymi opisanymi w instrukcji obsługi.

Niniejszą gwarancją nie jest objęte dodatkowe wyposażenie, jeżeli nie została do niego dołączona oddzielna karta gwarancyjna oraz elementy wyrobu podlegające naturalnemu zużyciu.

1. Niniejszą gwarancją objęte są usterki produktu spowodowane wadami produkcyjnymi i wadami materiałowymi.
2. Niniejsza gwarancja jest ważna po przedstawieniu przez Klienta w Centralnym Serwisie Gwarancyjnym reklamowanego produktu oraz łącznie:
 - a) poprawnie wypełnionej karty gwarancyjnej;
 - b) ważnego paragonu zakupu z datą sprzedaży taką, jak w karcie gwarancyjnej lub kopii faktury.
3. Gwarancja obejmuje bezpłatną naprawę urządzenia (wraz z bezpłatną wymianą uszkodzonych części) w okresie 24 miesięcy od daty zakupu.
4. Produkt reklamowany musi być:
 - a) dostarczony bezpośrednio do Centralnego Serwisu Gwarancyjnego wraz z poprawnie wypełnioną Kartą Gwarancyjną i ważnym paragonem zakupu (lub kopią faktury) oraz szczegółowym opisem uszkodzenia, lub
 - b) przesłany do Centralnego Serwisu Gwarancyjnego za pośrednictwem punktu sprzedaży wraz z dokumentami wymienionymi powyżej.
5. Koszty wysyłki do Centralnego Serwisu Gwarancyjnego ponosi Serwis. Wszelkie koszty związane z zapewnieniem bezpiecznego opakowania, ubezpieczeniem i innym ryzykiem ponosi Klient. W przypadku odrzucenia roszczenia gwarancyjnego, produkt jest odsyłany do miejsca nadania na koszt adresata.
6. Usterki ujawnione w okresie gwarancji będą usunięte przez Centralny Serwis Gwarancyjny w terminie:
 - a) 14 dni roboczych od daty przyjęcia produktu przez Centralny Serwis Gwarancyjny;
- b) termin usunięcia wady (punkt 6a) może być wydłużony o czas niezbędny do importu niezbędnych części zamiennych.
7. Klient otrzyma nowy sprzęt, jeżeli:
 - a) Centralny Serwis Gwarancyjny stwierdzi na piśmie, że usunięcie wady jest niemożliwe;
 - b) produkt nie podlega naprawie, tylko wymianie bez dokonywania naprawy.
8. O ile taki sam produkt jest nieosiągalny, może być wydany nowy produkt o nie gorszych parametrach.
9. Decyzja Centralnego Serwisu Gwarancyjnego odnośnie zasadności zgłaszanych usterek jest decyzją ostateczną.
10. Gwarancją nie są objęte:
 - a) wadliwe działanie lub uszkodzenia spowodowane niewłaściwym użytkowaniem lub użytkowaniem produktu niezgodnie z przeznaczeniem, instrukcją obsługi lub przepisami bezpieczeństwa. W szczególności profesjonalne użytkowanie amatorskich narzędzi Black & Decker powoduje utratę gwarancji;
 - b) wadliwe działanie lub uszkodzenia spowodowane przeciążaniem narzędzia, które prowadzi do uszkodzeń silnika, przekładni lub innych elementów a także stosowaniem osprzętu innego niż zalecany przez Black & Decker;
 - c) mechaniczne uszkodzenia produktu i wywołane nimi wady;
 - d) wadliwe działanie lub uszkodzenia na skutek działania pożaru, powodzi, czy też innych klęsk żywiołowych, nieprzewidzianych wypadków, korozji, normalnego zużycia w eksploatacji czy też innych czynników zewnętrznych;
 - e) produkty, w których naruszone zostały plomby gwarancyjne lub, które były naprawiane poza Centralnym Serwisem Gwarancyjnym lub były przerabiane w jakikolwiek sposób;
 - f) osprzęt eksploatacyjny dołączony do urządzenia oraz elementy ulegające naturalnemu zużyciu.
11. Centralny Serwis Gwarancyjny, firmy handlowe, które sprzedały produkt, nie udzielają upoważnień ani gwarancji innych niż określone w karcie gwarancyjnej. W szczególności nie obejmują prawa klienta do domagania się zwrotu utraconych zysków w związku z uszkodzeniem produktu.
12. Gwarancja nie wyłącza, nie ogranicza ani nie zawiesza uprawnień kupującego wynikających z niezgodności towaru z umową.

Centralny Serwis Gwarancyjny ERPATECH
ul. Bakaliowa 26, 05-080 Mościska
tel.: (22) 862-08-08, (22) 431-05-05
faks: (22) 862-08-09

Použitie výrobku

Vaša uhlová brúska Black & Decker je určená na brúsenie a rezanie kovov a muriva pomocou vhodných typov rezných a brúsnych kotúčov. So zodpovedajúcim ochranným krytom je táto brúska určená iba na spotrebiteľské použitie.

Bezpečnostné pokyny

Všeobecné bezpečnostné pokyny pre prácu s elektrickým náradím



Varovanie! Prečítajte si riadne všetky pokyny. Nedodržanie akéhokoľvek z nižšie uvedených pokynov môže mať za následok úraz elektrickým prúdom, vznik požiaru alebo vážne poranenie.

Tieto pokyny uložte na bezpečnom mieste pre prípadné ďalšie použitie.

Označenie „elektrické náradie“ vo všetkých nižšie uvedených upozorneniach odkazuje na Vaše náradie napájané zo siete (obsahuje napájací prívodný kábel) alebo náradie napájané batériami (bez prívodného kábla).

1. Bezpečnosť v pracovnom priestore

- a. **Pracovný priestor udržiajte v čistote a dobre osvetlený.** Neporiadok na pracovnom stole a nedostatok svetla v jeho okolí vedú k nehodám.
- b. **S elektrickým náradím nepracujte vo výbušných priestoroch, ako sú napríklad priestory s výskytom horľavých kvapalín, plynov alebo prašných látok.** Elektrické náradie je zdrojom iskrenia, ktoré môže viesť k vznieteniu horľavín.
- c. **Pri práci s elektrickým náradím držte deti a nepovolané osoby mimo jeho dosahu.** Rozptyľovanie môže spôsobiť stratu kontroly nad náradím.

2. Elektrická bezpečnosť

- a. **Zástrčka prívodného kábla náradia musí zodpovedať zásuvke. Nikdy akýmkoľvek spôsobom zástrčku neupravujte. Nepoužívajte s uzemneným elektrickým náradím žiadne upravené zástrčky.** Neupravované zástrčky a zodpovedajúce zásuvky znižujú riziko vzniku úrazu elektrickým prúdom.
- b. **Nedotýkajte sa uzemnených povrchov, ako sú napr. potrubia, radiátory, sporáky**

a chladničky. Pri uzemnení Vášho tela hrozí zvýšené nebezpečenstvo úrazu elektrickým prúdom.

- c. **Nevystavujte elektrické náradie dažďu alebo vlhkému prostrediu.** Pokiaľ do náradia vnikne voda, zvýši sa riziko úrazu elektrickým prúdom.
- d. **S prívodným káblom zaobchádzajte opatrne. Nikdy nepoužívajte prívodný kábel na prenášanie náradia, na jeho posúvanie a pri odpájaní náradia od elektrickej siete za neho neťahajte. Dbajte na to, aby sa kábel nedostal do kontaktu s mastnými, horúcimi a ostrými predmetmi a s pohyblivými časťami náradia.** Poškodený alebo zapletený prívodný kábel zvyšuje riziko vzniku úrazu elektrickým prúdom.
- e. **Ak pracujete s náradím vonku, používajte predlžovacie káble určené na použitie vonku.** Použitie kábla určeného na vonkajšie použitie znižuje riziko úrazu elektrickým prúdom.
- f. **Ak musíte používať elektrické náradie vo vlhkom prostredí, použite prúdový chránič (RCD).** Použitie prúdového chrániča (RCD) znižuje riziko úrazu elektrickým prúdom.

3. Bezpečnosť osôb

- a. **Zostaňte stále pozorní, sledujte, čo robíte a pri práci s elektrickým náradím premýšľajte. Nepoužívajte elektrické náradie, ak ste unavení alebo ak ste pod vplyvom drog, alkoholu alebo liekov.** Chvíľka nepozornosti pri práci s elektrickým náradím môže viesť k vážnemu úrazu.
- b. **Používajte prostriedky na ochranu osôb. Vždy používajte ochranu zraku.** Ochranné prostriedky, ako respirátor, nekízavá pracovná obuv, pokrývka hlavy a chrániče sluchu znižujú riziko poranenia osôb.
- c. **Zabráňte náhodnému zapnutiu. Pred pripojením k zdroju napätia alebo pred vložením akumulátora, zdvíhaním alebo prenášaním náradia skontrolujte, či je hlavný vypínač vypnutý.** Prenášanie náradia s prstom na hlavnom vypínači alebo pripojenie prívodného kábla k elektrickému rozvodu, ak je hlavný vypínač náradia v zapnutej polohe, môže spôsobiť úraz.
- d. **Pred zapnutím náradia sa vždy uistite, či nie sú v jeho blízkosti kľúče alebo nastavovacie prípravky.** Ponechané kľúče môžu byť zachytené rotujúcimi časťami náradia a môžu spôsobiť úraz.
- e. **Neprekážajte sami sebe. Pri práci vždy udržiajte vhodný a pevný postoj.** Tak sa umožní

lepšia ovládateľnosť náradia v neočakávaných situáciách.

- f. **Vhodne sa obliekajte. Nenoste voľný odev alebo šperky. Dbajte na to, aby sa Vaše vlasy, odev a rukavice nedostali do kontaktu s pohyblivými časťami.** Voľné šaty, šperky alebo dlhé vlasy môžu byť pohyblivými dielmi zachytené.
- g. **Ak sú zariadenia vybavené adaptérom pre pripojenie odsávacieho zariadenia a zberných zásobníkov, zaistite ich správne pripojenie a riadnu funkciu.** Použitie týchto zariadení môže znížiť nebezpečenstvo týkajúce sa prachu.
4. **Použitie elektrického náradia a jeho údržba**
- a. **Elektrické náradie nepreťažujte. Používajte správny typ náradia pre Vašu prácu.** Pri použití správneho typu náradia bude práca vykonaná lepšie a bezpečnejšie .
- b. **Ak nejde hlavný vypínač náradia zapnúť a vypnúť, s náradím nepracujte.** Akékoľvek náradie s nefunkčným hlavným vypínačom je nebezpečné a musí byť opravené.
- c. **Pred výmenou akýchkoľvek častí, príslušenstva alebo iných pripojených súčastí, pred vykonávaním údržby alebo pokiaľ náradie nepoužívate, odpojte ho od elektrickej siete alebo vyberte akumulátor.** Tieto preventívne bezpečnostné opatrenia znižujú riziko náhodného zapnutia náradia.
- d. **Pokiaľ náradie nepoužívate, uložte ho mimo dosahu detí a zabráňte tomu, aby toto náradie použili osoby, ktoré nie sú oboznámené s jeho obsluhou alebo s týmto návodom.** Elektrické náradie je v rukách nekvalifikovanej obsluhy nebezpečné.
- e. **Údržba elektrického náradia. Skontrolujte vychýlenie či zaseknutie pohyblivých častí, poškodenie jednotlivých dielov a iné okolnosti, ktoré môžu mať vplyv na chod náradia. Pokiaľ je náradie poškodené, nechajte ho pred použitím opraviť.** Mnoho nehôd vzniká v dôsledku nedostatočnej údržby náradia.
- f. **Rezné nástroje udržiavajte ostré a čisté.** Riadne udržiavané rezné nástroje s ostrými hranami sa menej zanášajú a lepšie sa ovládajú.
- g. **Náradie, príslušenstvo a držiaky nástrojov používajte podľa týchto pokynov a spôsobom určeným daným typom náradia. Berte do úvahy prevádzkové podmienky a prácu, ktorú je nutné vykonať.** Použitie náradia na iné účely, než na aké je určené, môže byť nebezpečné.

5. Opravy

- a. **Zverte opravu Vášho náradia iba osobe s príslušnou kvalifikáciou, ktorá bude používať výhradne originálne náhradné diely.** Tak bude zaistená bezpečná prevádzka elektrického náradia.

Doplňkové bezpečnostné pokyny pre prácu s elektrickým náradím



Varovanie! Doplňkové bezpečnostné pokyny pre brúsenie, leštenie alebo rezanie.

- ◆ **Toto elektrické náradie sa používa ako brúska, ktorá môže využívať rôzne kotúče na brúsenie, brúsenie pomocou oceľových kief, leštenie pomocou podušiek alebo rezanie. Naštudujte si všetky bezpečnostné výstrahy, pokyny, obrázky a technické údaje uvedené pre toto náradie.** Ak nedodržíte niektoré z nižšie uvedených pokynov, môže dôjsť k úrazu elektrickým prúdom, k vzniku požiaru alebo k vážnemu zraneniu.
- ◆ **Pracovné operácie, pre ktoré nie je toto náradie určené, môžu vytvárať riziká, ktoré povedú k spôsobeniu zranenia.**
- ◆ **Nepoužívajte príslušenstvo, ktoré nie je špeciálne navrhnuté a odporúčené výrobcom náradia.** I keď sa môže iné príslušenstvo použiť s Vaším elektrickým náradím, neznamená to, že je zaistená jeho bezpečná prevádzka.
- ◆ **Menovité otáčky príslušenstva musia minimálne dosahovať maximálne otáčky, ktoré sú vyznačené na elektrickom náradí.** Príslušenstvo, ktoré sa otáča rýchlejšie než sú jeho povolené maximálne otáčky, sa môže roztrhnúť alebo rozlomiť.
- ◆ **Vonkajší priemer a hrúbka Vášho príslušenstva musí zodpovedať rozmerom, ktoré sú vhodné pre Vaše náradie.** Pri použití kotúčov nesprávnych rozmerov nie je možné zaistiť zodpovedajúcu bezpečnosť a ovládateľnosť náradia.
- ◆ **Veľkosť upínacieho otvoru kotúčov, prírub, podporných podložiek alebo iného príslušenstva musí zodpovedať veľkosti hnacieho hriadeľa elektrického náradia.** Kotúče s upínacími otvormi, ktoré nezodpovedajú montážnym dielom elektrického náradia, sa nebudú točiť stabilne, budú nadmerne vibrovať a môžu spôsobiť stratu kontroly.
- ◆ **Nepoužívajte poškodené príslušenstvo. Pred každým použitím príslušenstvo**

skontrolujte. Skontrolujte praskliny a úlomky brúsnych kotúčov, praskliny, roztrhnutia alebo nadmerné opotrebovanie podporných podložiek alebo praskliny a uvoľnenie drôtov na drôtených kotúčoch. Ak dôjde k pádu elektrického náradia alebo jeho príslušenstva, skontrolujte, či nedošlo k jeho poškodeniu a ak je to nutné, použite nepoškodené príslušenstvo. Po kontrole a montáži príslušenstva nechajte náradie v chode v maximálnych otáčkach naprázdno po dobu jednej minúty. V tomto testovacom čase sa poškodené kotúče obvykle roztrhnú na kúsky.

- ◆ **Používajte prostriedky na ochranu osôb. V závislosti od spôsobu použitia si nasadte ochrannú masku, ochranné alebo bezpečnostné okuliare. Podľa situácie používajte protiprachovú masku, chrániče sluchu, rukavice a protipracovnú zásteru schopnú zachytiť drobné brúsne častice alebo fragmenty obrobku.** Ochrana zraku musí byť schopná zastaviť odlietavajúce nečistoty vznikajúce pri rôznych pracovných operáciách. Protiprachová maska alebo respirátor musia byť schopné odfiltrovať prachové častičky vytvárané pri Vašej práci. Dlhodobé vystavenie vysokej intenzite hluku môže spôsobiť stratu sluchu.
- ◆ **Udržujte okolostojace osoby v bezpečnej vzdialenosti od pracoviska. Každý, kto vstupuje do pracovného priestoru, musí byť vybavený prvkami osobnej ochrany.** Fragmenty obrobku alebo úlomky kotúča môžu odlietavať a spôsobiť úraz i mimo priameho miesta práce.
- ◆ **Držte elektrické náradie za izolované rukoväti, pretože môže dôjsť k zachyteniu prírodného kábla brúsnym pásom alebo základňou brúsky.** Pri kontakte so „živým“ vodičom spôsobia neizolované kovové časti náradia obsluhu úraz elektrickým prúdom.
- ◆ **Dbajte na to, aby sa prírodný kábel nedostal do blízkosti rotujúceho príslušenstva.** Pri strate kontroly môže dôjsť k preseknutiu alebo obrúseniu kábla a Vaša ruka môže byť zachytená a vtiahnutá do rotujúceho príslušenstva.
- ◆ **Nikdy neodkladajte náradie, pokiaľ nedôjde k úplnému zastaveniu pracovného nástroja.** Rotujúce príslušenstvo sa môže zaryť do povrchu, čo môže spôsobiť stratu kontroly nad náradím.
- ◆ **Ak prenášate elektrické náradie na boku, nikdy ho neuvádzajte do chodu.** Náhodný kontakt s rotujúcim príslušenstvom by mohol

spôsobiť zachytenie za Vaše oblečenie a vniknutie príslušenstva do Vášho tela.

- ◆ **Pravidelne čistíte vetracie otvory elektrického náradia.** Ventilátor motora odvádza prachové nečistoty z vnútorného priestoru von a nadmerné hromadenie kovových častí môže spôsobiť úraz elektrickým prúdom.
- ◆ **Nepoužívajte elektrické náradie v blízkosti horľavých materiálov.** Iskry môžu spôsobiť vznietenie týchto horľavín.
- ◆ **Nepoužívajte príslušenstvo, ktoré musí pracovať s chladiacimi kvapalinami.** Použitie vody alebo inej chladiacej kvapaliny môže viesť k smrteľnému úrazu elektrickým prúdom alebo k inému zraneniu.

Poznámka: Vyššie uvedené varovanie sa nevzťahuje na elektrické náradie, ktoré je určené špeciálne na použitie s chladiacimi systémami.

Spätný ráz a príslušné varovania

Spätný ráz je náhlou reakciou na zovretie alebo zaseknutie otáčajúceho sa kotúča, podpernej podložky, kefy alebo akéhokoľvek iného príslušenstva. Zovretie alebo zaseknutie spôsobuje rýchle zablokovanie rotujúceho príslušenstva, ktoré ešte navyiac v bode kontaktu spôsobí stratu kontroly nad náradím a jeho pohyb v opačnom smere, než je smer otáčania príslušenstva.

Ak je napríklad brúsny kotúč zovretý alebo zaseknutý v obrobku, hrana kotúča sa v mieste kontaktu s obrobkom môže zarezať hlbšie a môže tak spôsobiť vyskočenie kotúča smerom nahor alebo spätný ráz. Kotúč môže vyskočiť smerom k obsluhu alebo od obsluhy, v závislosti od smeru pohybu kotúča v bode, kde došlo k jeho zovretiu.

Za týchto podmienok môžu tiež brúsne kotúče prasknúť.

Spätný ráz je výsledkom nesprávneho použitia náradia a nesprávnych pracovných postupov alebo pracovných podmienok. Spätnému rázu sa môže zabrániť správnym vykonávaním nižšie uvedených opatrení.

- ◆ **Udržujte pevný úchop elektrického náradia a postavte telo a ruky do takej polohy, ktorá Vám umožní eliminovať sily spätného rázu. Vždy používajte prídavnú bočnú rukoväť, ak je súčasťou výbavy, aby bola zaručená maximálna kontrola pri spätnom ráze alebo pri momentovej reakcii pri zapnutí náradia.** Ak dodržiava obsluhu uvedené opatrenia, môže kontrolovať momentové reakcie i silu spätného rázu.

- ◆ **Nikdy neumiestňujte ruky do blízkosti rotujúceho príslušenstva.**
Môže dôjsť k spätnému rázu príslušenstva cez Vaše ruky.
- ◆ **Nestojte v priestore, do ktorého bude smerovať náradie, ak dôjde k spätnému rázu.** Spättný ráz vymrští náradie v opačnom smere, než je smer otáčania kotúča v mieste zovretia.
- ◆ **Buďte veľmi opatrní pri práci na rohoch, ostrých hranách atď. Zabráňte kmitaniu a krúteniu príslušenstva.**
Rohy, ostré hrany alebo kmitanie majú tendenciu zachytávať rotujúce príslušenstvo, čo môže spôsobiť stratu kontroly nad náradím alebo spättný ráz.
- ◆ **Nikdy s týmto náradím nepoužívajte kotúče s reťazami pre reťazové píly alebo ozubené pílové kotúče.** Pri použití týchto kotúčov dochádza často k spätnému rázu alebo ku strate kontroly nad náradím.

Doplnkové bezpečnostné pokyny pre brúsne a rezné operácie

Bezpečnostné výstrahy špecifické pre brúsne a rezné operácie

- ◆ **Používajte iba typy kotúčov, ktoré sú odporúčané pre Vaše náradie a špecifické ochranné kryty určené pre zvolené kotúče.** Kotúče, ktoré nie sú určené pre Vaše elektrické náradie, nemôžu byť zodpovedajúcim spôsobom chránené a sú nebezpečné.
- ◆ **Ochranný kryt musí byť bezpečne pripevnený k náradiu a musí byť nastavený tak, aby zaručoval maximálnu bezpečnosť. Používateľ náradia musí byť čo najviac chránený pred obnaženou časťou kotúča.** Ochranný kryt pomáha chrániť používateľa pred odlomenými časťami kotúča a pred náhodným kontaktom s kotúčom.
- ◆ **Kotúče musia byť používané iba na odporúčané pracovné operácie. Nevykonávajte napríklad brúsenie bočnou stranou rezného kotúča.** Rezné kotúče sú určené na obvodové brúsenie. Bočné sily pôsobiace na tieto kotúče môžu spôsobiť ich roztrieštenie.
- ◆ **Používajte vždy iba nepoškodené príruby kotúčov, ktoré majú správnu veľkosť a tvar zodpovedajúci zvolenému kotúču.** Správne príruby podopierajú kotúč, čím obmedzujú možnosť zlomenia kotúča. Príruby pre rezné kotúče sa môžu odlišovať od prírub pre brúsne kotúče.

- ◆ **Nepoužívajte opotrebované kotúče z väčších brúsok.** Kotúče pre väčšie brúsok nie sú vhodné pre vyššie otáčky menších brúsok a môžu prasknúť.

Doplnkové bezpečnostné pokyny pre špeciálne rezné operácie

- ◆ **Netlačte na rezný kotúč a nevyvíjajte na neho príliš veľký tlak. Nepokúšajte sa vytvárať príliš veľkú hĺbku rezu.** Nadmerné namáhanie kotúča zvyšuje jeho zaťaženie a náchylnosť k ohybu v reze, a tak možnosť spätného rázu alebo poškodenie kotúča.
- ◆ **Nestojte v osi rotujúceho kotúča a tiež nestojte za rotujúcim kotúčom.** Ak sa pohybuje počas prevádzky kotúč smerom od Vášho tela a ak dôjde k spätnému rázu, otáčajúci sa kotúč a náradie môže byť odmrštené priamo na Vás.
- ◆ **Ak dochádza k zasekávaniu kotúča alebo ak dôjde z akéhokoľvek dôvodu k prerušeniu rezu, vypnite náradie a držte ho bez pohybu, dokiaľ nedôjde k úplnému zastaveniu kotúča. Nikdy sa nepokúšajte vybrať kotúč z rezu, ak je kotúč v pohybe, pretože by mohlo dôjsť k spätnému rázu.** Premýšľajte a vykonávajte potrebné úpravy, aby ste eliminovali príčinu zaseknutia rezného kotúča.
- ◆ **Nepokúšajte sa znovu začať prácu priamo v obrobku.** Počkajte, pokiaľ kotúč nedosiahne maximálne otáčky a opatrne zasuňte kotúč znovu do rezu. Ak je kotúč ponechaný v obrobku a náradie je znovu zapnuté, kotúč sa môže zaseknúť, môže vyskočiť z rezu alebo môže dôjsť k spätnému rázu.
- ◆ **Podprite si panely a iné obrobky s nadmernou veľkosťou, aby ste minimalizovali riziko zaseknutia kotúča a riziko spôsobenia spätného rázu.** Veľké obrobky majú pôsobením vlastnej hmotnosti tendenciu sa prehýbať. Podpery musia byť umiestnené pod obrobkom na oboch stranách v blízkosti čiary rezu a v blízkosti okrajov obrobku.
- ◆ **Buďte veľmi opatrní pri vytváraní zárezov do existujúcich stien alebo na iných miestach, na ktoré nevidíte.** Vyčnievajúci kotúč môže spôsobiť prerezanie plynového alebo vodovodného potrubia, elektrických vodičov alebo predmetov, ktoré môžu spôsobiť spättný ráz.

Bezpečnostné varovania pre brúsne pracovné operácie

- ◆ **Nepoužívajte nadmerne veľké kotúče brúsneho papiera. Pri voľbe brúsneho papiera postupujte podľa odporúčení výrobcov.** Väčšie kotúče brúsneho papiera, ktoré presahujú brúsnu podložku, predstavujú riziko roztrhania a môžu spôsobiť krútenie a roztrhnutie kotúča alebo spätný ráz.

Bezpečnostné varovania pre leštenie

- ◆ **Dbajte na to, aby sa voľne neotáčali uvoľnené časti leštiacej podušky alebo jej upevňovacej pásky. Voľné upevňovacie pásky zastrčte alebo ich odstrihnite.** Voľné a rotujúce upevňovacie pásky sa môžu zamotať do Vašich prstov alebo sa môžu zachytiť o obrobok.

Bezpečnostné varovania týkajúce sa drôtených kief

- ◆ **Uvedomte si, že sa štetiny z kefy uvoľňujú dokonca i behom bežných pracovných operácií. Nevyvíjajte na kefu nadmerný tlak, aby nedochádzalo k príliš veľkému namáhaniu štetín kefy.** Štetiny kefy môžu ľahko prepichnúť ľahký odev alebo pokožku.
- ◆ **Ak sa pri použití drôtenej kefy odporúča použitie krytu, zabráňte akémukoľvek kontaktu drôtenej kefy s krytom.** Pôsobením pracovného zaťaženia a odstredivých síl sa môže drôtený kotúč alebo kefa rozpínať.

Bezpečnosť ostatných

- ◆ Tento prístroj nie je určený na použitie osobami (vrátane detí) so zníženými fyzickými, zmyslovými alebo duševnými schopnosťami, alebo s nedostatkom skúseností a znalostí, pokiaľ tieto osoby nepracujú pod dohľadom, alebo pokiaľ im neboli poskytnuté inštrukcie týkajúce sa použitia prístroja osobou zodpovednou za ich bezpečnosť.
- ◆ Deti by mali byť pod dozorom, aby sa s náradím nehrali.

Vibrácie

Deklarovaná úroveň vibrácií uvedená v technických údajoch a v prehlásení o zhode bola meraná v súlade so štandardnou skúšobnou metódou predpísanou normou EN 60745 a môže sa použiť na porovnávanie jednotlivých náradí medzi sebou. Deklarovaná úroveň vibrácií môže byť tiež použitá na predbežné stanovenie doby práce s týmto výrobkom.

Varovanie! Úroveň vibrácií pri aktuálnom použití elektrického náradia sa môže od deklarovanej úrovne vibrácií líšiť v závislosti od spôsobu použitia výrobku. Úroveň vibrácií môže byť oproti uvedenej hodnote vyššia.

Pri stanovení dĺžky vystavenia sa vibráciám z dôvodu určenia bezpečnostných opatrení podľa normy 2002/44/EC na ochranu osôb pravidelne používajúcich elektrické náradie v zamestnaní by mal predbežný odhad pôsobenia vibrácií brať do úvahy aktuálne podmienky použitia náradia s prihliadnutím na všetky časti pracovného cyklu, ako aj času, počas ktorého je náradie vypnuté a kedy beží naprázdno.

Štítky na náradí



Varovanie! Z dôvodu zníženia rizika spôsobenia úrazu si užívateľ musí prečítať tento návod na použitie.



Pri práci s týmto náradím používajte ochranné okuliare.



Pri práci so zariadením používajte ochranu sluchu.

Elektrická bezpečnosť



Toto náradie je chránené dvojitou izoláciou. Preto nie je nutné použitie zemniaceho vodiča. Vždy skontrolujte, či napätie v sieti zodpovedá napätiu na výkonovom štítku.

- ◆ Ak dôjde k poškodeniu prírodného kábla, musí sa vymeniť výrobcom alebo v autorizovanom servise Black & Decker, aby sa zabránilo spôsobeniu úrazu elektrickým prúdom.

Popis

Vaše náradie sa skladá z niektorých alebo zo všetkých nasledujúcich častí:

1. Hlavný vypínač
2. Bočná rukoväť
3. Zaisťovacie tlačidlo hnacieho hriadeľa
4. Ochranný kryt

Nastavenie

Varovanie! Pred montážou sa uistite, či je náradie vypnuté a či je prírodný kábel odpojený od zásuvky.

Nasadenie a vybratie krytu (obr. A a B)

Náradie sa dodáva s krytom, ktorý je určený iba na brúsenie. Ak sa bude náradie používať na rezanie, musí byť vybavené krytom, ktorý je určený na tieto pracovné operácie. K dispozícii je vhodný ochranný kryt na rozbrusovacie práce (katalógové číslo 1004484-00), ktorý môžete získať u autorizovaného predajcu Black & Decker.

Montáž

- ◆ Položte náradie na stôl tak, aby bol hriadeľ (5) otočený smerom hore.
- ◆ Položte na náradie pružnú podložku (6) a umiestnite ju na osadenie (7).
- ◆ Nasadzte kryt (4) na náradie podľa postupu uvedenom na obrázku.
- ◆ Umiestnite na hnací hriadeľ prírubu (8) tak, aby výstupky smerovali ku krytu. Skontrolujte, či sú otvory v prírubе zarovnané s otvormi pre skrutky.
- ◆ Pomocou skrutiek (9) prírubu zaistite. Skontrolujte, či sú skrutky úplne dotiahnuté a či sa dá krytom otáčať.

Demontáž

- ◆ Pri demontáži skrutiek (9) použite skrutkovač.
- ◆ Vyberte prírubu (8), kryt (4) a pružnú podložku (7).

Tieto súčasti starostlivo odložte.

Varovanie! Nikdy nepoužívajte náradie bez ochranného krytu.

Upevnenie bočnej rukoväti

- ◆ Zaskrutkujte bočnú rukoväť (2) do jedného z otvorov v náradí.

Varovanie! Vždy používajte bočnú rukoväť.

Nasadenie a vybratie brúsneho alebo rezného kotúča (obr. C - E)

Pre každý typ operácií používajte vždy vhodný typ kotúča.

Vždy používajte kotúče so správnym priemerom kotúča i jeho upínacieho otvoru (viď technické údaje).

Montáž

- ◆ Podľa vyššie uvedeného postupu namontujte kryt.
- ◆ Umiestnite na hnací hriadeľ (5) vnútornú prírubu (10), ako je uvedené na obrázku (obr. C). Uistite sa, či je vnútorná prírubа správne nasadená na dosadacích ploškách hnacieho hriadeľa.
- ◆ Umiestnite na hnací hriadeľ (5) kotúč (11), ako je uvedené na obrázku (obr. C).

Kotúč s vyvýšeným stredom (12) umiestnite tak, aby bola vyvýšená časť otočená k vnútornej prírubе.

- ◆ Uistite sa, či je kotúč na vnútornej prírubе správne nasadený.
- ◆ Umiestnite na hnací hriadeľ vonkajšiu prírubu (13). Pri upevňovaní brúsneho kotúča musí vyvýšený stred vonkajšej prírubы smerovať ku kotúču (A na obr. D). Pri upevňovaní rezného kotúča musí vyvýšený stred vonkajšej prírubы smerovať od kotúča (B na obr. D).
- ◆ Stlačte a držte zaistovacie tlačidlo hnacieho hriadeľa (3) a pritiahnite vonkajšiu prírubu pomocou špeciálneho kľúča (14), ktorý má dva kolíky (obr. E).

Demontáž

- ◆ Stlačte a držte zaistovacie tlačidlo hnacieho hriadeľa (3) a uvoľnite vonkajšiu prírubu pomocou špeciálneho kľúča (14), ktorý má dva kolíky (obr. E).
- ◆ Vyberte vonkajšiu prírubu (13) a kotúč (11).

Demontáž a montáž brúsneho kotúča (obr. E a F)

Pri brúsení sa musí použiť podporná podložka. Podporné podložky sa dajú dostať ako príslušenstvo u predajcov Black & Decker.

Montáž

- ◆ Umiestnite na hnací hriadeľ (5) vnútornú prírubu (10), ako je uvedené na obrázku (obr. F). Uistite sa, či je vnútorná prírubа správne nasadená na dosadacích ploškách hnacieho hriadeľa.
- ◆ Umiestnite na hnací hriadeľ podpornú podložku (15).
- ◆ Umiestnite brúsny kotúč (16) na podpornú podložku.
- ◆ Umiestnite vonkajšiu prírubu (13) na hnací hriadeľ tak, aby vyvýšený stred prírubы smeroval od kotúča.
- ◆ Stlačte a držte zaistovacie tlačidlo hnacieho hriadeľa (3) a pritiahnite vonkajšiu prírubu pomocou špeciálneho kľúča (14), ktorý má dva kolíky (obr. E). Skontrolujte, či je vonkajšia prírubа správne usadená a či je pevne upnutý kotúč.

Demontáž

- ◆ Stlačte a držte zaistovacie tlačidlo hnacieho hriadeľa (3) a uvoľnite vonkajšiu prírubu pomocou špeciálneho kľúča (14), ktorý má dva kolíky (obr. E).
- ◆ Vyberte vonkajšiu prírubu (13), brúsny kotúč (16) a podpornú podložku (15).

Zvyškové riziká

Ak sa náradie používa iným spôsobom, než je uvedené v priložených bezpečnostných varovaniach, môžu sa objaviť dodatočné zvyškové riziká. Tieto riziká môžu vzniknúť v dôsledku nesprávneho použitia, dlhodobého použitia atď.

Napriek tomu, že sa dodržiavajú príslušné bezpečnostné predpisy a používajú sa bezpečnostné zariadenia, určité zvyškové riziká sa nemôžu vylúčiť. Tieto riziká sú nasledujúce:

- ◆ Zranenia spôsobené kontaktom s akoukoľvek rotujúcou alebo pohybujúcou sa časťou.
- ◆ Zranenia spôsobené pri výmene dielov, pracovného nástroja alebo príslušenstva.
- ◆ Zranenia spôsobené dlhodobým použitím náradia. Ak používate akékoľvek náradie dlhší čas, zaistíte, aby sa robili pravidelné prestávky.
- ◆ Poškodenie sluchu.
- ◆ Zdravotné riziká spôsobené vdychovaním prachu vytváraného pri použití náradia (príklad: - práca s drevom, najmä s dubovým, bukovým a MDF).

Použitie

Varovanie! Nechajte náradie pracovať vlastným tempom. Zamedzte preťažovaniu náradia.

- ◆ Vedzte prívodný kábel tak, aby ste zabránili jeho náhodnému prerezaniu.
- ◆ Buďte pripravení na prival iskier, akonáhle sa brúsny alebo rezný kotúč dostane do kontaktu s obrobkom.
- ◆ Vždy nastavte náradie do takej polohy, aby jeho kryt poskytoval optimálnu ochranu pred brúsnym alebo rezným kotúčom.

Zapnutie a vypnutie

- ◆ Ak chcete náradie zapnúť, presuňte hlavný vypínač (1) dopredu. Náradie zostáva v chode i po uvoľnení vypínača.
- ◆ Ak chcete náradie vypnúť, stisnite zadnú časť hlavného vypínača.

Varovanie! Nevypínajte náradie pokiaľ je v zábere.

Rady na optimálne použitie

- ◆ Držte náradie pevne jednou rukou za bočnú rukoväť a druhou rukou držte náradie pevne okolo hlavnej rukoväte.
- ◆ Pri brúsení udržiavajte medzi kotúčom a povrchom obrobku stále uhol približne 15°.

Údržba

Vaše náradie Black & Decker bolo skonštruované tak, aby pracovalo dlhý čas s minimálnymi nárokmi na údržbu. Dlhodobé bezproblémové fungovanie

náradia závisí od jeho riadnej údržby a pravidelného čistenia.

Varovanie! Pred začiatkom akejkoľvek údržby tohto prístroja berte na vedomie nasledovné upozornenia.

- ◆ Vypnite náradie a odpojte prívodný kábel od siete.
- ◆ Alebo vypnite náradie a vyberte z neho akumulátor, ak ide z náradia vytiahnuť.
- ◆ Alebo ak sa nedá akumulátor z náradia vybrať, nechajte náradie v chode, pokiaľ nedôjde k jeho úplnému vybitiu a potom náradie vypnite.
- ◆ Pred čistením odpojte nabíjačku zo siete. Vaša nabíjačka nevyžaduje žiadnu údržbu okrem pravidelného čistenia.
- ◆ Vetracie otvory Vášho prístroja pravidelne čistite mäkkou kefkou alebo suchou handričkou.
- ◆ Pomocou vlhkej handričky pravidelne čistite kryt motora. Nepoužívajte žiadne brúsne alebo rozpúšťacie čistiace prostriedky.
- ◆ Pravidelne otvárajte skľučovadlo a poklepaním odstráňte prach z vnútornej časti náradia (ak má náradie skľučovadlo).

Ochrana životného prostredia



Triedený odpad. Tento prístroj nesmie byť vyhodený do bežného domáceho odpadu.

Jedného dňa zistíte, že Váš výrobok Black & Decker musíte vymeniť alebo ho už nebudete ďalej používať. V tomto prípade myslite na ochranu životného prostredia a nevyhadzujte prístroj do domáceho odpadu. Zlikvidujte tento výrobok v triedenom odpade.



Triedený odpad umožňuje recykláciu a opätovné využitie použitých výrobkov a obalových materiálov. Opätovné použitie recyklovaných materiálov pomáha chrániť životné prostredie pred znečistením a znižuje spotrebu surovín.

Miestne zberne odpadov, recyklačné stanice alebo predajne Vám poskytnú informácie o správnej likvidácii elektroodpadov z domácnosti.

Firma Black & Decker poskytuje službu bezplatnej recyklácie výrobkov Black&Decker a akumulátorov po skončení ich životnosti. Ak chcete získať výhody tejto služby, odovzdajte, prosím, Vaše náradie akémukoľvek autorizovanému zástupcovi servisu Black & Decker, ktorý náradie odoberie a zaistí jeho recykláciu.

Miesto Vášho najbližšieho autorizovaného servisu Black & Decker sa dozviete na adrese uvedenej na zadnej strane tohto návodu. Zoznam servisných stredísk Black & Decker a podrobnosti o popredajnom servise nájdete taktiež na internetovej adrese: www.2helpU.com

Technické údaje

		AST15 TYP 3	KG725 TYP 3	KG900 TYP 3
Napätie zdroja	V	230	230	230
Príkon	W	900	701	900
Otáčky naprázdno	min ⁻¹	10,000	10,000	10,000
Priemer kotúča	mm	115	125	100
Vnútorý otvor kotúča	mm	22	22	16
Maximálna hrúbka kotúča				
brúsne kotúče	mm	6	6	6
rezné kotúče	mm	3.5	3.5	3.5
Závit hnacieho hriadeľa	mm	M14	M14	M10
Hmotnosť	kg	2.1	2.1	2.1

		KG915 TYP 3	KG925 TYP 3
Napätie zdroja	V	230	230
Príkon	W	900	900
Otáčky naprázdno	min ⁻¹	10,000	10,000
Priemer kotúča	mm	115	125
Vnútorý otvor kotúča	mm	22	22
Maximálna hrúbka kotúča			
brúsne kotúče	mm	6	6
rezné kotúče	mm	3.5	3.5
Závit hnacieho hriadeľa	mm	M14	M14
Hmotnosť	kg	2.1	2.1

Hladina akustického tlaku podľa normy EN 60745:

Akustický tlak (L_{pA}) 91 dB(A), odchýlka (K) 3 dB(A)
Akustický výkon (L_{WA}) 102 dB(A), odchýlka (K) 3 dB(A)

Celková úroveň vibrácií (priestorový vektorový súčet) podľa normy EN 60745:

Povrchové brúsenie ($a_{h,AG}$) 7 m/s², odchýlka (K) 1,5 m/s²
Rezanie (a_h) 2,5 m/s², odchýlka (K) 1,5 m/s²

ES Prehlásenie o zhode v rámci EÚ

NARIADENIE PRE STROJOVÉ ZARIADENIA



AST15, KG725, KG900, KG915, KG925

Spoločnosť Black & Decker prehlasuje, že produkty popísané v technických údajoch spĺňajú požiadavky nasledujúcich noriem:
2006/42/EC, EN60745-1, EN60745-2-3

Tieto výrobky spĺňajú tiež požiadavky smernice 2004/108/EC a 2011/65/EU.

Ak chcete získať ďalšie informácie, kontaktujte prosím spoločnosť Black & Decker na nasledujúcej adrese alebo na adresách, ktoré sú uvedené na konci tohto návodu.

Nižšie podpísaná osoba je zodpovedná za zostavenie technických údajov a vydáva toto prehlásenie v zastúpení spoločnosti Black & Decker.

Kevin Hewitt
Viceprezident pre spotrebiteľskú techniku
Black & Decker Europe, 210 Bath Road, Slough,
Berkshire, SL1 3YD
United Kingdom
23/03/2012

Záruka

Spoločnosť Black & Decker dôveruje kvalite svojho vlastného náradia a poskytuje kupujúcemu mimoriadnu záruku. Táto záruka je nadštandardná a v žiadnom prípade nepoškodzuje Vaše zákonné práva. Táto záruka platí vo všetkých členských štátoch EÚ a Európskej zóny voľného obchodu EFTA.

Ak sa objavia na výrobku Black & Decker, v priebehu 24 mesiacov od kúpy, akékoľvek materiálové či výrobné chyby, spoločnosť Black & Decker garantuje v snahe o minimalizovanie vašich starostí bezplatnú výmenu chybných dielov, opravu alebo výmenu celého výrobku za nižšie uvedených podmienok:

- ◆ Výrobok nebol používaný na obchodné alebo profesionálne účely a nedochádzalo k jeho prenájmu.
- ◆ Výrobok nebol vystavený nesprávnemu použitiu a nebola zanedbaná jeho predpísaná údržba.
- ◆ Výrobok nebol poškodený cudzím zavinením.
- ◆ Neboli vykonávané opravy výrobku inými osobami než pracovníkmi značkového servisu Black & Decker.

Pri uplatňovaní reklamácie je nutné predajcovi alebo servisnému stredisku predložiť doklad o nákupe výrobku. Miesto Vašej najbližšej autorizovanej servisnej pobočky Black & Decker sa dozviete na príslušnej adrese uvedenej na zadnej strane tejto príručky. Zoznam autorizovaných servisov Black & Decker a podrobnosti o popredajnom servise nájdete tiež na internetovej adrese: **www.2helpU.com**

Navštívte našu internetovú adresu **www.blackanddecker.sk** a zaregistrujte si Váš výrobok Black & Decker. Budete tak mať neustále prehľad o nových výrobkoch a špeciálnych ponukách. Ďalšie informácie o značke Black & Decker a o našom výrobnom programe získate na internetovej adrese **www.blackanddecker.sk**

Назначение

Ваша угловая шлифмашина Black & Decker предназначена для шлифования и резки металла и стеновых материалов с использованием отрезных дисков и шлифовальных кругов соответствующего типа. При наличии защитного кожуха соответствующего типа, данный инструмент предназначен только для бытового использования.

Правила безопасности

Общие правила безопасности при работе с электроинструментами



Внимание! Перед началом работы внимательно прочтите все инструкции по безопасности и руководство по эксплуатации. Несоблюдение всех перечисленных ниже инструкций может привести к поражению электрическим током, возникновению пожара и/или получению серьезной травмы.

Сохраните все инструкции по безопасности и руководство по эксплуатации для их дальнейшего использования.

Термин „Электроинструмент“ во всех приведенных ниже указаниях относится к Вашему сетевому (с кабелем) электроинструменту или аккумуляторному (беспроводному) электроинструменту.

1. Безопасность рабочего места

- a. **Содержите рабочее место в чистоте и обеспечьте хорошее освещение.** Беспорядок на рабочем месте и его плохое освещение могут привести к несчастному случаю.
- b. **Не используйте электроинструмент, если есть опасность возгорания или взрыва, например, вблизи легко воспламеняющихся жидкостей, газов или пыли.** В процессе работы электроинструмент создает искровые разряды, которые могут воспламенить пыль или горючие пары.
- c. **Во время работы с электроинструментом не подпускайте близко детей или посторонних лиц.** Отвлечение внимания может вызвать у Вас потерю контроля над рабочим процессом.

2. Электробезопасность

- a. **Вилка кабеля электроинструмента должна соответствовать штепсельной розетке. Ни в коем случае не видоизме-**

ните вилку электрического кабеля. Не используйте соединительные штепсели-переходники, если в силовом кабеле электроинструмента есть провод заземления. Использование оригинальной вилки кабеля и соответствующей ей штепсельной розетки уменьшает риск поражения электрическим током.

- b. **Во время работы с электроинструментом избегайте физического контакта с заземленными объектами, такими как трубопроводы, радиаторы отопления, электроплиты и холодильники.** Риск поражения электрическим током увеличивается, если Ваше тело заземлено.
- c. **Не используйте электроинструмент под дождем или во влажной среде.** Попадание воды в электроинструмент увеличивает риск поражения электрическим током.
- d. **Используйте электрический кабель в установленном режиме. Ни в коем случае не используйте кабель для переноски электроинструмента или для вытягивания его вилки из штепсельной розетки. Не подвергайте электрический кабель воздействию высоких температур и смазочных веществ; держите его в стороне от острых кромок и движущихся частей электроинструмента.** Поврежденный или запутанный кабель увеличивает риск поражения электрическим током.
- e. **При работе с электроинструментом на открытом воздухе используйте удлинительный кабель, предназначенный для наружных работ.** Использование кабеля, пригодного для работы на открытом воздухе, снижает риск поражения электрическим током.
- f. **При необходимости работы с электроинструментом во влажной среде используйте источник питания, оборудованный устройством защитного отключения (УЗО).** Использование УЗО снижает риск поражения электрическим током.

3. Личная безопасность

- a. **При работе с электроинструментами будьте внимательны, следите за тем, что Вы делаете, и руководствуйтесь здравым смыслом. Не используйте электроинструмент, если Вы устали, а также находясь под действием алкоголя или понижающих реакцию лекарственных препаратов и других средств.** Малейшая неосторожность при работе с электроин-

струментами может привести к серьезной травме.

- b. **При работе используйте средства индивидуальной защиты. Всегда надевайте защитные очки.** Своевременное использование защитного снаряжения, а именно: пылезащитной маски, ботинок на нескользящей подошве, защитного шлема или противозумных наушников, значительно снизит риск получения травмы.
 - c. **Не допускайте случайного запуска. Перед тем, как подключить электроинструмент к сети и/или аккумулятору, поднять или перенести его, убедитесь, что выключатель находится в положении “выключено”.** Не переносите электроинструмент с нажатой кнопкой выключателя и не подключайте к сетевой розетке электроинструмент, выключатель которого установлен в положение “включено”. Это может привести к несчастному случаю.
 - d. **Перед включением электроинструмента снимите с него все регулировочные или гаечные ключи.** Регулировочный или гаечный ключ, оставленный закрепленным на вращающейся части электроинструмента, может стать причиной тяжелой травмы.
 - e. **Не допускайте перенапряжения. Всегда твердо стойте на ногах, сохраняя равновесие.** Это позволит Вам не потерять контроль при работе с электроинструментом в непредвиденной ситуации.
 - f. **Одевайтесь соответствующим образом. Во время работы не надевайте свободную одежду или украшения. Следите за тем, чтобы Ваши волосы, одежда или перчатки находились в постоянном отдалении от движущихся частей инструмента.** Свободная одежда, украшения или длинные волосы могут попасть в движущиеся части инструмента.
 - g. **Если электроинструмент снабжен устройством сбора и удаления пыли, убедитесь, что данное устройство подключено и используется надлежащим образом.** Использование устройства пылеудаления значительно снижает риск возникновения несчастного случая, связанного с запыленностью рабочего пространства.
4. **Использование электроинструментов и технический уход**
 - a. **Не перегружайте электроинструмент. Используйте Ваш инструмент по назначению.** Электроинструмент работает на-

дежно и безопасно только при соблюдении параметров, указанных в его технических характеристиках.

- b. **Не используйте электроинструмент, если его выключатель не устанавливается в положение включения или выключения.** Электроинструмент с неисправным выключателем представляет опасность и подлежит ремонту.
 - c. **Отключайте электроинструмент от сетевой розетки и/или извлекайте аккумуляторную батарею перед регулированием, заменой принадлежностей или при хранении электроинструмента.** Такие меры предосторожности снижают риск случайного включения электроинструмента.
 - d. **Храните неиспользуемые электроинструменты в недоступном для детей месте и не позволяйте лицам, не знакомым с электроинструментом или данными инструкциями, работать с электроинструментом.** Электроинструменты представляют опасность в руках неопытных пользователей.
 - e. **Регулярно проверяйте исправность электроинструмента. Проверяйте точность совмещения и легкость перемещения подвижных частей, целостность деталей и любых других элементов электроинструмента, воздействующих на его работу. Не используйте неисправный электроинструмент, пока он не будет полностью отремонтирован.** Большинство несчастных случаев являются следствием недостаточного технического ухода за электроинструментом.
 - f. **Следите за остротой заточки и чистотой режущих принадлежностей.** Принадлежности с острыми кромками позволяют избежать заклинивания и делают работу менее утомительной.
 - g. **Используйте электроинструмент, аксессуары и насадки в соответствии с данным Руководством и с учетом рабочих условий и характера будущей работы.** Использование электроинструмента не по назначению может создать опасную ситуацию.
5. **Техническое обслуживание**
 - a. **Ремонт Вашего электроинструмента должен производиться только квалифицированными специалистами с использованием идентичных запасных частей.** Это обеспечит безопасность Вашего электроинструмента в дальнейшей эксплуатации.

Дополнительные меры безопасности при работе электроинструментами



Внимание! Дополнительные меры безопасности при шлифовании, зачистке, очистке проволочной щеткой, полировке или абразивной резке.

- ◆ Данный электроинструмент предназначен для шлифования, зачистки, очистки металлической щеткой, полировки и абразивной резки. Внимательно прочтите все инструкции по использованию, правила безопасности, спецификации, а также рассмотрите все иллюстрации, входящие в руководство по эксплуатации данного электроинструмента. Несоблюдение всех перечисленных ниже инструкций может привести к поражению электрическим током, возникновению пожара и/или получению серьезной травмы.
- ◆ Выполнение операций, не соответствующих целям применения данного электроинструмента, является потенциально опасным и может стать причиной получения травмы.
- ◆ Не используйте дополнительные принадлежности и насадки, специально не разработанные и не рекомендованные производителем инструмента. Возможность установки принадлежностей и насадок на электроинструмент не обеспечивает безопасности при его использовании.
- ◆ Номинальная частота вращения насадки должна быть не ниже максимальной скорости, указанной на электроинструменте. Насадки, вращающиеся со скоростью, превышающей их номинальную частоту вращения, могут сломаться и отлететь в сторону.
- ◆ Внешний диаметр и толщина насадки должны соответствовать диапазону мощности электроинструмента. Насадка неправильного размера не закрывается надлежащим образом ограждением и не обеспечивает контроля при управлении инструментом.
- ◆ Посадочные отверстия абразивных дисков, фланцев, шлифовальных подошв и прочих сменных обрабатывающих принадлежностей должны правильно сидеть на шпинделе электроинструмента. Насадки с посадочными отверстиями, не соответствующими крепежным деталям электроинструмента, могут стать причиной разбалансированности, повышенной вибрации и потери контроля над электроинструментом.
- ◆ Не используйте поврежденные насадки. Перед каждым использованием проверяйте абразивные диски на наличие сколов и трещин, диски-подошвы - на наличие надрывов и трещин, проволочные щетки - на наличие ослабленной или сломанной проволоки. В случае падения электроинструмента или насадки проверьте их на наличие повреждений или установите неповрежденную насадку. После проверки и установки насадки запустите инструмент на максимальной скорости без нагрузки в течение 1 минуты. Поврежденные насадки отлетят в сторону в течение данного тестового периода.
- ◆ Используйте средства индивидуальной защиты. В зависимости от типа выполняемых работ надевайте щиток для защиты лица или защитные очки. В соответствии с необходимостью надевайте респиратор, защитные наушники, перчатки и рабочий фартук, способный защитить от мелки абразивных частиц и фрагментов обрабатываемой детали. Средства защиты для глаз должны останавливать частицы, вылетающие при выполнении различных видов работ. Противопылевая маска или респиратор должны обеспечивать фильтрацию твердых частиц, образующихся при выполнении работ. Длительное воздействие шума высокой мощности может привести к нарушениям слуха.
- ◆ Не подпускайте посторонних лиц близко к рабочей зоне. Любое лицо, входящее в рабочую зону, должно использовать средства индивидуальной защиты. Фрагменты обрабатываемой детали или разрушенной насадки могут вылететь и стать причиной травмирования даже за пределами рабочей зоны.
- ◆ Держите электроинструмент за изолированные рукоятки, поскольку шлифовальная лента / шлифовальная подошва может задеть кабель подключения к электросети. Разрезание находящего под напряжением провода делает не покрытые изоляцией металлические части электроинструмента «живыми», что создает опасность поражения электрическим током.
- ◆ Располагайте шнур питания на удалении от вращающейся насадки. В случае потери контроля шнур питания может быть разрезан или ободран, а ваша рука может быть затянута вращающейся насадкой.

- ◆ **Никогда не кладите электроинструмент, пока насадка полностью не остановится.** Вращающаяся насадка может задеть за поверхность, из-за чего электроинструмент может вырваться из рук.
- ◆ **Не включайте электроинструмент, если насадка направлена на вас.** Случайный контакт с вращающейся насадкой может привести к захвату насадкой одежды и контакту насадки с Вашим телом.
- ◆ **Регулярно очищайте вентиляционные отверстия электроинструмента.** Вентилятор электродвигателя затягивает пыль внутрь корпуса, а скопление большого количества пыли на металле электродвигателя повышает риск поражения электротоком.
- ◆ **Не используйте электроинструмент рядом с горючими материалами.** Искры могут привести к их воспламенению.
- ◆ **Не используйте насадки, требующие жидкостного охлаждения.** Использование воды или других жидких охлаждающих средств может привести к поражению электрическим током вплоть до смертельного исхода.

ПРИМЕЧАНИЕ: Предыдущая мера предосторожности не относится к электроинструментам, специально разработанным для использования с системой жидкости.

Причины обратного удара и действия по его предупреждению

Обратный удар является внезапной реакцией на защемление или застревание вращающегося диска, диска-подшвы, щетки или какой-либо другой насадки. Защемление или застревание могут стать причиной мгновенной остановки вращающейся насадки, что в свою очередь приводит к потере контроля над электроинструментом и он внезапно подается назад в направлении, противоположном вращению насадки.

Например, если абразивный диск был защемлен или застрял в заготовке, край диска в момент защемления может врезаться в поверхность заготовки, в результате чего диск поднимается или подается назад. В зависимости от направления движения диска в момент защемления, диск может резко подняться в сторону или от оператора. В этот момент абразивные диски могут также сломаться.

Обратный удар является результатом использования инструмента не по назначению и/или

неправильных действий оператора и условий работы, и его можно избежать, соблюдая следующие меры безопасности:

- ◆ **Крепко держите электроинструмент двумя руками и следите за положением тела и рук, чтобы эффективно противостоять воздействию обратного удара.** Для максимального контроля силы обратного удара или реакции от крутящего момента всегда используйте вспомогательную рукоятку, если она предусмотрена. Оператор может контролировать силу обратного удара, если он соблюдает соответствующие меры предосторожности.
- ◆ **Никогда не держите руки поблизости от вращающегося диска.** Это может привести к обратному удару.
- ◆ **Не стойте в зоне действия обратного удара электроинструмента.** В момент заедания сила обратного удара отбросит инструмент в направлении, обратном движению диска.
- ◆ **Будьте особенно осторожны при обработке углов, острых кромок и пр. Избегайте отскакивание и заедание насадки.** Именно при обработке углов, острых кромок или при отскакивании высока вероятность заедания вращающейся насадки, что может послужить причиной потери контроля над инструментом или образования обратного удара.
- ◆ **Не устанавливайте на шлифмашину диск для резьбы по дереву или зубчатый режущий диск.** Подобные диски увеличивают вероятность возникновения обратного удара и потери контроля над инструментом.

Дополнительные меры безопасности при шлифовании и резке

Меры безопасности при выполнении операций по шлифованию и резке с использованием абразивных дисков

- ◆ **Используйте только диски, рекомендованные для использования с Вашим электроинструментом, а также защитные кожухи, специально разработанные для выбранного типа дисков.** Диски, не предназначенные для использования с данным электроинструментом, не будут надежно защищены кожухом и представляют опасность.
- ◆ **Защитный кожух должен быть надежно закреплен на электроинструменте.** Для достижения максимальной безопасности

кожух должен быть установлен таким образом, чтобы со стороны оператора была открыта самая незначительная часть диска. Защитный кожух поможет защитить оператора от фрагментов разрушенного диска и случайного контакта с диском.

- ◆ **Диски должны использоваться только по назначению.** Например: не выполняйте шлифование острым краем режущих дисков. Абразивные режущие диски предназначены для шлифования периферией круга, поэтому боковая сила, применимая к данному типу дисков, может стать причиной их разрушения.
- ◆ **Всегда используйте неповрежденные дисковые фланцы, размер и форма которых полностью соответствуют выбранному Вами типу дисков.** Правильно подобранные дисковые фланцы защищают диск, снижая вероятность его разрушения. Фланцы для режущих дисков отличаются от фланцев для шлифовальных дисков.
- ◆ **Никогда не используйте изношенные диски с другого, более крупного электроинструмента.** Диски, предназначенные для использования с крупногабаритными электроинструментами, не подходят для более высокой скорости инструмента меньшего размера, и могут разрушиться.

Дополнительные меры предосторожности при резании с использованием абразивных дисков

- ◆ **Не давите на режущий диск и не оказывайте на него чрезмерного давления. Не пытайтесь выполнить слишком глубокий разрез.** Чрезмерное напряжение диска увеличивает нагрузку на диск, результатом которой может стать деформация или заедание в момент резания, возможность возникновения обратного удара, а также поломка диска.
- ◆ **Не стойте на одной линии и позади вращающегося диска.** При вращении диска в момент выполняемой операции в направлении от оператора, возможный обратный удар может отбросить электроинструмент с работающим диском прямо на вас.
- ◆ **При заклинивании диска или если по какой-либо причине Вы хотите прекратить резание, выключите электроинструмент и удерживайте его в пропиле, пока режущий диск полностью не остановится.** Ни в коем случае не пытайтесь вы-

тащить режущий диск из заготовки, пока он ещё вращается, так как это может вызвать обратный удар. Выясните причину заедания и примите меры по её устранению.

- ◆ **Не возобновляйте прерванную операцию с диском в заготовке.** Позвольте диску достичь максимальной скорости и аккуратно введите его в разрез. В противном случае, при повторном включении электроинструмента диск может сломаться, подняться или выскочить обратно из заготовки.
- ◆ **Размещайте панели или заготовки больших размеров на упорах для минимизации риска защемления диска и обратного удара.** Большие заготовки имеют тенденцию прогибаться под тяжестью собственного веса. Устанавливайте упоры под заготовкой по обе стороны от режущего диска, около линии реза и краев заготовки.
- ◆ **Будьте особенно внимательны при сквозном врезании в стены и другие сплошные поверхности.** Выступающий диск может врезаться в газовую или водопроводную трубу, электропроводку или в объекты, вызывающие обратный удар.

Меры предосторожности при шлифовании

- ◆ **Не используйте шлифовальные круги, диаметр которых намного превышает диаметр подошвы.** При выборе шлифовальной бумаги пользуйтесь рекомендациями изготовителя. Шлифовальная бумага, выступающая за пределы подошвы шлифмашины, может порваться, что может стать причиной повреждения диска или обратного удара.

Меры предосторожности при полировке

- ◆ **Следите за тем, чтобы полировальная шкурка была плотно установлена на подошве, а концы завязок были убраны.** Уберите или отрежьте все выступающие концы завязок. Свободно свисающие и вращающиеся завязки могут запутать Ваши пальцы или застрять в обрабатываемой заготовке.

Дополнительные меры предосторожности при работе с использованием проволочных щеток

- ◆ **Помните, что кусочки проволоки отскакивают от проволочной щетки даже при выполнении обычной операции.** Не надавливайте на щетку, оказывая на нее

чрезмерное давление. Обрывки проволоки легко могут проникнуть через легкую одежду и/или попасть на кожу.

- ◆ Если при работе щеткой рекомендовано использование защитного ограждения, не допускайте ни малейшего соприкосновения проволочной щетки или диска с ограждением. В процессе работы и под воздействием центробежной силы проволочный диск или щетка могут увеличиться в диаметре.

Безопасность посторонних лиц

- ◆ Использование инструмента физически или умственно неполноценными людьми, а также детьми и неопытными лицами допускается только под контролем ответственного за их безопасность лица.
- ◆ Не позволяйте детям играть с электроинструментом.

Вибрация

Значения уровня вибрации, указанные в технических характеристиках инструмента и декларации соответствия, были измерены в соответствии со стандартным методом определения вибрационного воздействия согласно EN60745 и могут использоваться при сравнении характеристик различных инструментов. Приведенные значения уровня вибрации могут также использоваться для предварительной оценки величины вибрационного воздействия.

Внимание! Значения вибрационного воздействия при работе с электроинструментом зависят от вида работ, выполняемых данным инструментом, и могут отличаться от заявленных значений. Уровень вибрации может превышать заявленное значение.

При оценке степени вибрационного воздействия для определения необходимых защитных мер (2002/44/ЕС) для людей, использующих в процессе работы электроинструменты, необходимо принимать во внимание действительные условия использования электроинструмента, учитывая все составляющие рабочего цикла, в том числе время, когда инструмент находится в выключенном состоянии, время, когда он работает без нагрузки, а также время его запуска и отключения.

Маркировка инструмента



Внимание! Полное ознакомление с руководством по эксплуатации снизит риск получения травмы.



При работе с данным электроинструментом наденьте защитные очки или маску.



При работе с данным электроинструментом наденьте защитные наушники.

Электробезопасность



Данный электроинструмент защищен двойной изоляцией, исключающей потребность в заземляющем проводе. Следите за напряжением электрической сети, оно должно соответствовать величине, обозначенной на информационной табличке электроинструмента.

- ◆ Во избежание несчастного случая, замена поврежденного кабеля питания должна производиться только на заводе-изготовителе или в авторизованном сервисном центре Black & Decker.

Составные части

Ваш электроинструмент может содержать все или некоторые из перечисленных ниже составных частей:

1. Клавиша пускового выключателя
2. Боковая рукоятка
3. Кнопка блокировки шпинделя
4. Защитный кожух

Сборка

Внимание! Перед началом сборки убедитесь, что электроинструмент выключен и отсоединен от электросети.

Установка и снятие защитного кожуха (Рис. А и В)

Электроинструмент оснащен защитным кожухом, предназначенным только для работ по шлифованию поверхностей. В случае, если инструмент предназначен для операций по резке, на него должен быть установлен специальный защитный кожух. Защитный кожух № 1004484-00 для операций по резке можно приобрести в сервисных центрах Black & Decker.

Установка

- ◆ Положите инструмент на стол, шпинделем (5) вверх.
- ◆ Поместите пружинную шайбу (6) на уступ (7) вокруг шпинделя.
- ◆ Установите защитный кожух (4), как показано на рисунке.

- ◆ Поместите фланец (8) на шпиндель, выступами к защитному кожуху. Проследите, чтобы отверстия во фланце совпадали с отверстиями под винты.
- ◆ Закрепите фланец при помощи винтов (9).
- ◆ Проследите, чтобы винты были плотно затянуты, но при этом защитный кожух можно было бы повернуть.

Снятие

- ◆ Отвинтите винты (9), используя отвертку.
- ◆ Удалите фланец (8), защитный кожух (4) и пружинную шайбу (7). Храните надежно эти детали.

Внимание! Ни в коем случае не используйте шлифмашину без защитного кожуха!

Установка вспомогательной боковой рукоятки

- ◆ Ввинтите боковую рукоятку (2) в необходимое резьбовое отверстие в шлифмашине.

Внимание! Всегда используйте боковую рукоятку!

Установка и снятие шлифовальных и отрезных дисков (Рис. С - Е)

Используйте абразивные диски, предназначенные только для соответствующего вида работ. Используйте абразивные диски только соответствующего диаметра и размера установочного отверстия (см. раздел „Технические характеристики“)

Установка

- ◆ Установите защитный кожух, как указано выше.
- ◆ Установите внутренний фланец (10) на шпиндель (5), как показано на рисунке (Рис. С). Проследите, чтобы нижняя часть фланца совместилась с боковыми вырезами шпинделя.
- ◆ Установите диск (11) на шпиндель (5), как показано на рисунке (Рис. С). Если диск имеет выпуклую середину (12), проследите, чтобы она примыкала к внутреннему фланцу.
- ◆ Убедитесь, что диск правильно установлен на внутреннем фланце.
- ◆ Установите наружный фланец (13) на шпиндель. При установке шлифовального диска, выступ наружного фланца должен примыкать к шлифовальному кругу (Вид А на Рис. D). При установке отрезного диска, выступ наружного фланца должен быть направлен в противоположную сторону (наружу) от отрезного диска (Вид В на Рис. D).

- ◆ Удерживая нажатой кнопку (3) фиксатора шпинделя, затяните наружный фланец вилочным ключом (14) (Рис. Е).

Снятие

- ◆ Удерживая нажатой кнопку (3) блокировки шпинделя, отверните наружный фланец (13) вилочным ключом (14) (Рис. Е).
- ◆ Снимите наружный фланец (13) и диск (11).

Установка и снятие шлифовального круга (Рис. Е и F)

Для шлифования кругами требуется подошва, которую можно приобрести у Вашего представителя Black & Decker.

Установка

- ◆ Установите внутренний фланец (10) на шпиндель (5), как показано на рисунке (Рис. F). Проследите, чтобы нижняя часть фланца совместились с боковыми вырезами шпинделя.
- ◆ Установите подошву (15) на шпиндель.
- ◆ Положите шлифовальный круг (16) на подошву.
- ◆ Установите наружный фланец (13) выступом в сторону шпинделя.
- ◆ Удерживая нажатой кнопку (3) блокировки шпинделя, затяните наружный фланец вилочным ключом (14) (Рис. Е). Убедитесь, что наружный фланец установлен правильно, а подошва крепко прижата.

Снятие

- ◆ Удерживая нажатой кнопку (3) блокировки шпинделя, отверните наружный фланец (13) вилочным ключом (14) (Рис. Е).
- ◆ Снимите наружный фланец (13), шлифовальный круг (16) и подошву (15).

Остаточные риски

При работе с данным инструментом возможно возникновение дополнительных остаточных рисков, которые не вошли в описанные здесь правила техники безопасности. Эти риски могут возникнуть при неправильном или продолжительном использовании изделия и т.п. Несмотря на соблюдение соответствующих инструкций по технике безопасности и использование предохранительных устройств, некоторые остаточные риски невозможно полностью исключить. К ним относятся:

- ◆ Травмы в результате касания вращающихся/двигающихся частей инструмента.
- ◆ Риск получения травмы во время смены деталей электроинструмента, пильных дисков или насадок.

- ◆ Риск получения травмы, связанный с продолжительным использованием инструмента. При использовании инструмента в течение продолжительного периода времени делайте регулярные перерывы в работе.
- ◆ Ухудшение слуха.
- ◆ Ущерб здоровью в результате вдыхания пыли в процессе работы с электроинструментом (например, при распиле древесины, в особенности, дуба, бука и ДВП).

Эксплуатация

Внимание! Не форсируйте рабочий процесс. Избегайте перегрузки электроинструмента.

- ◆ Аккуратно направляйте кабель подключения к электросети шлифмашины, во избежание его случайного пореза.
- ◆ Будьте готовы к сильному выбросу искр, как только абразивный диск войдет в соприкосновение с обрабатываемой заготовкой.
- ◆ Держите шлифмашину таким образом, чтобы защитный кожух максимально загоразивал Вас от абразивного диска.

Включение и выключение

- ◆ Для включения передвиньте клавишу пускового выключателя (1) вперед. Проследите, чтобы шлифмашина осталась включенной после того, как Вы отпустили клавишу пускового выключателя.
- ◆ Для выключения нажмите на заднюю часть клавиши пускового выключателя.

Внимание! Не выключайте шлифмашину, находящуюся в соприкосновении с обрабатываемой заготовкой!

Рекомендации по оптимальному использованию

- ◆ Крепко держите инструмент одной рукой за основную (заднюю) рукоятку, другой рукой за вспомогательную (боковую) рукоятку.
- ◆ Старайтесь обеспечивать при шлифовании угол приблизительно 15° между шлифовальным диском и поверхностью обрабатываемой заготовки.

Техническое обслуживание

Ваш инструмент Black & Decker рассчитан на работу в течение продолжительного времени при минимальном техническом обслуживании. Срок службы электроинструмента и его надежность увеличивается при правильном уходе и регулярной чистке.

Внимание! Перед проведением технического обслуживания электрического/аккумуляторного инструмента:

- ◆ Выключите инструмент и отключите его от источника питания.
- ◆ Или выключите инструмент и выньте из него аккумуляторную батарею, если инструмент оснащен съемной аккумуляторной батареей.
- ◆ Или, в случае если инструмент оснащен встроенной аккумуляторной батареей, полностью разгрузите батарею и выключите инструмент.
- ◆ Перед чисткой зарядного устройства отключите его от источника питания. Ваше зарядное устройство не требует никакого дополнительного технического обслуживания, кроме регулярной чистки.
- ◆ Регулярно очищайте вентиляционные отверстия электроинструмента мягкой щеткой или сухой тканью.
- ◆ Регулярно очищайте корпус двигателя влажной тканью. Не используйте абразивные чистящие средства, а также чистящие средства на основе растворителей.
- ◆ Регулярно раскрывайте патрон (при наличии) и вытряхивайте из него всю накопившуюся пыль.

Защита окружающей среды



Раздельный сбор. Данное изделие нельзя утилизировать вместе с обычными бытовыми отходами.

Если однажды Вы захотите заменить Ваш электроинструмент Black & Decker или Вы больше в нем не нуждаетесь, не выбрасывайте его вместе с бытовыми отходами. Отнесите изделие в специальный приемный пункт.



Раздельный сбор изделий с истекшим сроком службы и их упаковок позволяет пускать их в переработку и повторно использовать. Использование переработанных материалов помогает защищать окружающую среду от загрязнения и снижает расход сырьевых материалов.

Местное законодательство может обеспечить сбор старых электроинструментов отдельно от бытового мусора на муниципальных свалках отходов, или Вы можете сдавать их в торговом предприятии при покупке нового изделия.

Фирма Black & Decker обеспечивает прием и переработку отслуживших свой срок изделий Black & Decker. Чтобы воспользоваться этой

услугой, Вы можете сдать Ваше изделие в любой авторизованный сервисный центр, который собирает их по нашему поручению.

Вы можете узнать место нахождения Вашего ближайшего авторизованного сервисного центра, обратившись в Ваш местный офис Black & Decker по адресу, указанному в данном руководстве по эксплуатации. Кроме того, список авторизованных сервисных центров Black & Decker и полную информацию о нашем послепродажном обслуживании и контактах Вы можете найти в интернете по адресу: www.2helpU.com

Технические характеристики

		AST15 ТИП 3	KG725 ТИП 3	KG900 ТИП 3
Напряжение электросети	В перем. тока	230	230	230
Потребляемая мощность	Вт	900	701	900
Число оборотов (х. х.)	об/мин	10,000	10,000	10,000
Диаметр диска	мм	115	125	100
Установочное отверстие	мм	22	22	16
Макс. толщина диска				
Шлифовальные диски	мм	6	6	6
Отрезные диски	мм	3.5	3.5	3.5
Резьба шпинделя	мм	M14	M14	M10
Вес	кг	2.1	2.1	2.1

		KG915 ТИП 3	KG925 ТИП 3
Напряжение электросети	В перем. тока	230	230
Потребляемая мощность	Вт	900	900
Число оборотов (х. х.)	об/мин	10,000	10,000
Диаметр диска	мм	115	125
Установочное отверстие	мм	22	22
Макс. толщина диска			
Шлифовальные диски	мм	6	6
Отрезные диски	мм	3.5	3.5
Резьба шпинделя	мм	M14	M14
Вес	кг	2.1	2.1

Уровень звукового давления в соответствии с EN 60745:

Звуковое давление (L_{pA}) 91 дБ(А), погрешность (К) 3 дБ(А)

Акустическая мощность (L_{WA}) 102 дБ(А), погрешность (К) 3 дБ(А)

Суммарная вибрация (по трем осям) в соответствии с EN 60745:

Шлифование поверхности ($a_{h,AG}$) 7 м/с², погрешность (К) 1.5 м/с²

Резка (a_r) 2.5 м/с², погрешность (К) 1.5 м/с²

Декларация соответствия ЕС ДИРЕКТИВА ПО МЕХАНИЧЕСКОМУ ОБОРУДОВАНИЮ



AST15, KG725, KG900, KG915, KG925

Black & Decker заявляет, что продукты, обозначенные в разделе «Технические характеристики», полностью соответствуют стандартам: 2006/42/EC, EN60745-1, EN60745-2-3.

Данные продукты также соответствуют Директивам 2004/108/EC и 2011/65/EU.

За дополнительной информацией обращайтесь по указанному ниже адресу или по адресу, указанному на последней странице руководства.

Нижеподписавшееся лицо полностью отвечает за соответствие технических данных и делает это заявление от имени фирмы Black & Decker.

Кевин Хьюитт
(Kevin Hewitt)

Вице-президент отдела
мирового проектирования
Black & Decker Europe, 210 Bath Road, Slough,
Berkshire, SL1 3YD
United Kingdom
23/03/2012

БЛЭК ЭНД ДЕККЕР

Гарантийные условия

Уважаемый покупатель!

1. Поздравляем Вас с покупкой высококачественного изделия БЛЭК ЭНД ДЕККЕР и выражаем признательность за Ваш выбор.
 - 1.1. Надежная работа данного изделия в течение всего срока эксплуатации - предмет особой заботы наших сервисных служб. В случае возникновения каких-либо проблем в процессе эксплуатации изделия рекомендуем Вам обратиться только в авторизованные сервисные организации, адреса и телефоны которых Вы сможете найти в Гарантийном талоне или узнать в магазине. Наши сервисные станции - это не только квалифицированный ремонт, но и широкий выбор запчастей и принадлежностей.
 - 1.2. При покупке изделия требуйте проверки его комплектности и исправности в Вашем присутствии, инструкцию по эксплуатации и заполненный Гарантийный талон на русском языке. При отсутствии у Вас правильно заполненного Гарантийного талона мы будем вынуждены отклонить Ваши претензии по качеству данного изделия.
 - 1.3. Во избежание недоразумений убедительно просим Вас перед началом работы с изделием внимательно ознакомиться с инструкцией по его эксплуатации.
 - 1.4. Обращаем Ваше внимание на исключительно бытовое назначение данного изделия.
2. Правовой основой настоящих гарантийных условий является действующее Законодательство и, в частности, Закон "О защите прав потребителей".
3. Гарантийный срок на данное изделие составляет 24 месяца и исчисляется со дня продажи через розничную торговую сеть. В случае устранения недостатков изделия, гарантийный срок продлевается на период, в течение которого оно не использовалось.
4. Срок службы изделия - 5 лет (минимальный, установленный в соответствии с Законом "О защите прав потребителей").
5. Наши гарантийные обязательства распространяются только на неисправности, выявленные в течение гарантийного срока и обусловленные производственными и конструктивными факторами.
 6. Гарантийные обязательства не распространяются:
 - 6.1. На неисправности изделия, возникшие в результате:
 - 6.1.1. Несоблюдения пользователем предписаний инструкции по эксплуатации изделия.
 - 6.1.2. Механического повреждения, вызванного внешним ударным или любым иным воздействием.
 - 6.1.3. Использования изделия в профессиональных целях и объемах, в коммерческих целях.
 - 6.1.4. Применения изделия не по назначению.
 - 6.1.5. Стихийного бедствия.
 - 6.1.6. Неблагоприятных атмосферных и иных внешних воздействий на изделие, таких как дождь, снег, повышенная влажность, нагрев, агрессивные среды, несоответствие параметров питающей электросети параметрам, указанным на инструменте.
 - 6.1.7. Использования принадлежностей, расходных материалов и запчастей, не рекомендованных или не одобренных производителем.
 - 6.1.8. Проникновения внутрь изделия посторонних предметов, насекомых, материалов или веществ, не являющихся отходами, сопровождающими применение по назначению, такими как стружка опилки и пр.
 - 6.2. На инструменты, подвергавшиеся вскрытию, ремонту или модификации вне уполномоченной сервисной станции.
 - 6.3. На принадлежности, запчасти, вышедшие из строя вследствие нормального износа, и расходные материалы, такие как приводные ремни, угольные щетки, аккумуляторные батареи, ножи, пилки, абразивы, пильные диски, сверла, буры и т. п.
 - 6.4. На неисправности, возникшие в результате перегрузки инструмента, повлекшей выход из строя электродвигателя или других узлов и деталей. К безусловным признакам перегрузки изделия относятся, помимо прочих: появление цветов побежалости, деформация или оплавление деталей и узлов изделия, потемнение или обугливание изоляции проводов электродвигателя под воздействием высокой температуры.



ME 77



007

Блэк энд Деккер Гмбх
Блэк энд Деккер Штрассе, 40
65510 Идштайн, Германия

Область застосування

Ваша кутова шліфувальна машина виробництва компанії Black & Decker розроблена для шліфування та відрізання металу та каменю за допомогою відповідного ріжучого або шліфувального круга. Цей інструмент призначений тільки для побутового використання. Працювати ним можливе лише тоді, коли він оснащений відповідним захистом ріжучої чи шліфувальної частини.

Інструкції з техніки безпеки

Загальні правила безпеки для електричного інструменту



Попередження! Перед використанням інструменту уважно прочитайте всі попередження та інструкції. Невиконання інструкцій, що наведені нижче, може призвести до ураження електричним струмом, пожежі та/або серйозних травм.

Зберігайте це керівництво для отримання інформації в подальшому.

Термін „електричний інструмент ” в усіх попередженнях, перерахованих нижче, стосується використовуваних Вами інструментів, що працюють від мережі енергоспоживання (з використанням електричного кабелю) або акумуляторів (без кабелю).

1. Безпека робочої зони

- a. Тримайте робочу зону чистою та добреосвітленою. Неупорядковані та темні робочі зони збільшують ймовірність нещасного випадку.
- b. **Не використовуйте електричні інструменти у вибухонебезпечній атмосфері, наприклад, в присутності вогнебезпечних рідин, газів та пилу.** Електричні інструменти створюють іскри, що можуть запалити пил або випаровування.
- c. **При використанні електричного інструменту діти та інші сторонні люди мають знаходитись подалі від інструменту.** Відвернення уваги може призвести до втрати контролю.

2. Електрична безпека

- a. **Вилка електричного інструменту має відповідати розетці. Ніколи ніяким чином не змінюйте вилку інструменту. Не використовуйте адаптерів із заземленими електричними інструментами. Немодифі-**

ковані вилки та розетки, що підходять до них, зменшують ризик ураження електричним струмом.

- b. **Уникайте контакту тіла з заземленими поверхнями, такими як труби, радіатори, плити та холодильники.** Якщо ваше тіло заземлене, збільшується ризик ураження електричним струмом.
- c. **Не залишайте електричні інструменти під дощем або в умовах підвищеної вологості.** Вода, що потрапляє в електричний інструмент, підвищує ризик ураження електричним струмом.
- d. **Не використовуйте шнур не за призначенням. Ніколи не використовуйте шнур для перенесення, перетягування та відключення інструменту від мережі живлення. Тримайте шнур подалі від високих температур, мастила, гострих предметів та рухомих деталей.** Пошкоджений або заплутаний шнур збільшує ризик ураження електричним струмом.
- e. **При використанні електричного інструменту на вулиці, використовуйте подовжувачий шнур, що підходить для використання на вулиці.** Використання шнуру, призначеного для роботи на вулиці, знижує ризик ураження електричним струмом.
- f. **Якщо неможливо уникнути використання електричного інструменту в умовах підвищеної вологості, використовуйте живлення, захищене пристроєм залишкового струму (RCD).** Використання RCD знижує ризик ураження електричним струмом.

3. Особиста безпека

- a. **Будьте в стані готовності, дивіться, що ви робите, та використовуйте загальний глузд, коли ви працюєте з електричним інструментом. Не використовуйте електричний інструмент, коли ви втомлені або знаходитесь під впливом алкоголю, наркотиків або медичних препаратів.** Втрата уваги при роботі з електричними інструментами може призвести до серйозних травм.
- b. **Використовуйте особисті засоби безпеки. Завжди використовуйте засоби захисту очей.** Захисне оснащення, як протипилова маска, неслизькі черевики, твердий капелюх та засоби захисту вух, що використовуються у відповідних умовах, знижують ризик травм.

- c. Уникнення випадкового запуску. Переконайтесь в тому, що вимикач знаходиться в позиції Вкл. перед підключенням до джерела живлення та/або акумулятора, переміщенням або перенесенням пристрою.

Перенесення інструментів з пальцем на перемикачі або підключення живлення до інструменту, перемикач якого знаходиться в положенні Вкл., може призвести до нещасного випадку.

- d. Зніміть всі налаштувальні ключі або гайкові ключі перед тим, як вмикати електричний інструмент. Гайковий ключ, що залишився прикріпленим до якоїсь деталі електричного пристрою, що обертається, може призвести до травм.
- e. Не перенапружуйтеся. Завжди утримуйте правильну постановку ніг і рівновагу. Це дозволяє краще контролювати інструмент у несподіваних ситуаціях.
- f. Вдягайтеся відповідним чином. Не вдягайте вільний одяг чи прикраси. Тримайте ваше волосся, одяг та рукавички подалі від рухомих деталей. Вільний одяг, прикраси або довге волосся може зачепитися за рухомі деталі.
- g. Якщо передбачені пристрої для підключення до засобів виділення та збирання пилу, переконайтеся, що вони правильно підключені та використовуються. Використання таких пристроїв зменшує ризик виникнення небезпечних ситуацій, що пов'язані з потраплянням пилу.

4. Використання та догляд за електричним інструментом

- a. Не використовуйте надмірні зусилля при роботі з інструментом. Використовуйте відповідний електричний інструмент для вашої задачі. Правильно обраний інструмент виконає завдання краще та безпечніше за умов, для яких він був розроблений.
- b. Не використовуйте інструмент, вмикач якого не вмикає та не вмикає його. Будь-який електричний інструмент, який не може управлятися вмикачем, є небезпечним і має бути відремонтований.
- c. Відключіть вилку від джерела живлення та/або витягніть акумулятор перед тим, як робити будь-які налаштування, змінювати додаткове обладнання чи перед зберіганням інструменту. Ці профілактичні заходи зменшують ризик випадкового запуску електричного інструменту.

- d. Бережіть вимкнені електричні інструменти від дітей та не дозволяйте особам, що не знайомі з електричним інструментом або цими інструкціями використовувати електричний інструмент. Електричні інструменти є небезпечними, якщо вони використовуються некваліфікованими користувачами.
- e. Технічне обслуговування електричних інструментів. Перевіряйте на відсутність вирівнювання або заїдання рухомих деталей, ушкоджених частин та інших умов, що можуть впливати на роботу електричного інструменту. Якщо є ушкодження, відремонтуйте інструмент перед використанням. Багато нещасних випадків є результатом того, що інструмент не пройшов відповідного технічного обслуговування.
- f. Тримайте ріжучі інструменти гострими та чистими. Правильно доглянуті ріжучі інструменти з гострими ріжучими кромками мають меншу ймовірність заїдання, та ними легше керувати.
- g. Використовуйте електричний інструмент, додаткові інструменти та деталі інструменту тощо у відповідності до цих інструкцій, зважаючи на умови використання та роботу, яка має бути виконана. Використання електричних інструментів не за призначенням може призвести до виникнення небезпечних ситуацій.

5. Обслуговування

- a. Надавайте Ваш електричний інструмент для обслуговування кваліфікованим спеціалістом з ремонту та використовуйте тільки ідентичні замінені деталі. Це забезпечить безпеку електричного пристрою, що обслуговується.

Додаткові правила безпеки для електричного інструменту



Попередження! Додаткові інструкції з техніки безпеки для операцій шліфування, піскоструминної обробки, очищення дротовими щітками, полірування або абразивного обрізання

- ◆ Цей інструмент призначений для використання в якості шліфувальної машини, піскоструминного апарату, дротової щітки, полірувальної машини або інструменту

для обрізання. Прочитайте всі попередження та інструкції з техніки безпеки, а також рисунки та специфікації щодо цього електричного інструменту. Невиконання всіх інструкцій, що наведені нижче, може призвести до ураження електричним струмом, пожежі та/або серйозних травм.

- ◆ **Виконання операцій, на які не розрахований даний інструмент, може призвести до виникнення небезпечних ситуацій та викликати травми.**
- ◆ **Не використовуйте аксесуари, що не були розроблені спеціально для цього інструменту та не рекомендовані виробником.** Той факт, що аксесуар можна прикріпити до інструменту, не гарантує безпечної роботи.
- ◆ **Номінальна швидкість аксесуару повинна щонайменше дорівнювати максимальній швидкості, вказаній на електричному інструменті.** Аксесуари з більшою швидкістю можуть зламатися та розлетітися.
- ◆ **Зовнішній діаметр та товщина Вашого аксесуару повинні знаходитись в рамках характеристики потужності Вашого електричного інструменту.** Аксесуари невірних розмірів неможливо контролювати відповідним чином.
- ◆ **Розмір оправки кругів, фланцю, опорних прокладок або інших аксесуарів повинен відповідати шпинделю інструменту.** Аксесуари з отворами в оправленні, які не відповідають елементам кріплення електричного інструменту можуть втрачати баланс, надмірно вібрувати та призводити до втрати контролю.
- ◆ **Не використовуйте пошкоджені аксесуари.** Перед кожним використанням необхідно оглядати аксесуари, такі як абразивні круги на наявність зазублин та тріщин, опорні прокладки на наявність тріщин та надмірний знос, дротову щітку на наявність вільних та пошкоджених дротів. Якщо електричний інструмент або аксесуари, як абразивні круги, падали, необхідно оглянути їх на пошкодження та встановити непошкоджений аксесуар. Після огляду та встановлення аксесуару, запустіть інструмент на максимальній швидкості без навантаження на одну хвилину. Пошкоджені аксесуари звичайно зламуються під час цього запуску.
- ◆ **Використовуйте захисне обладнання.** В залежності від способу використання необхідно скористатися захисним щитком, захисними окулярами або маскою.

За необхідності вдягайте протипилову маску, засоби захисту слуху, рукавиці або робочий фартух, що захистять Вас від маленьких фрагментів абразиву або заготовки. Захисні окуляри захистять Вас від літаючих уламків, що можуть утворитися під час певних видів роботи. Протипилова маска або респіратор повинні фільтрувати частинки, що утворюються під час роботи. Тривалий вплив шуму з високою інтенсивністю може призвести до втрати слуху.

- ◆ **Тримайте сторонніх осіб подалі від робочої зони.** Всі люди, що знаходяться в робочій зоні, повинні використовувати особисті захисні засоби. Фрагменти заготовки або уламки аксесуарів можуть відлетіти та призвести до травми, навіть поза безпосередньою зоною роботи.
- ◆ **Тримайте електричний інструмент за ізольовану поверхню, тому що шліфувальна стрічка/шліфувальна основа можуть торкатися власного кабелю.** При розрізанні дроту під напругою у відкритих металевих деталях інструменту може виникнути напруга, що призведе до ураження оператора електричним струмом.
- ◆ **Розташуйте кабель так, щоб він не торкався рухомих деталей.** Якщо Ви втратите контроль, кабель може бути розрізаний або може зачепитися, а Ваша рука або пальці можуть потрапити до аксесуару, що обертається.
- ◆ **Ніколи не кладіть інструмент, доки всі його деталі повністю не зупиняться.** Аксесуар, що обертається, може захопити поверхню та потягнути електричний інструмент з рук.
- ◆ **Не запускайте інструмент, переносячи його біля свого тіла.** Випадковий контакт з аксесуаром, що обертається, може зачепити одяг, потягнувши інструмент до Вашого тіла.
- ◆ **Регулярно очищайте вентиляційні отвори інструменту.** Вентилятор двигуну буде втягувати пил всередину корпусу, надмірна кількість металевих частинок може призвести до ризику ураження електричним струмом.
- ◆ **Не використовуйте електричний інструмент біля легкозаймистих матеріалів.** Іскри можуть викликати спалах цих матеріалів.
- ◆ **Не використовуйте аксесуари, що вимагають рідку охолоджуючу рідину.** Використання води та інших рідких охоло-

дзювачів може призвести до смерті від електричного удару або ураження електричним струмом.

Примітка: Вище наведене попередження не стосується інструментів, що спеціально розроблені для використання з рідиною.

Віддача та відповідні попередження

Віддача - це раптова реакція на затиснення або деформування ріжучого чи шліфувального аксесуару, опорну прокладку, щітку або інший аксесуар.

Наприклад, якщо абразивний круг затиснений заготовкою, край круга, що входить у зону затиснення, може увійти у поверхню матеріалу, спричиняючи віддачу інструмента. При цьому інструмент відскочить від оператора або на оператора, в залежності від напрямку руху круга в точці затиснення. Абразивні круги також можуть зламатися за цих умов.

Віддача є результатом невірної використання інструменту або/та невірних способів або умов експлуатації, її можна уникнути, вживаючи відповідних заходів, перерахованих нижче.

- ◆ **Добре тримайте інструмент та розташуйте своє тіло та руки так, щоб можна було протистояти віддачі.** Завжди використовуйте додаткову ручку, якщо така є, для максимального контролю віддачі або реактивного крутного моменту при запуску. Оператор може контролювати реактивний крутний момент або сили віддачі, якщо вжиті відповідні заходи.
- ◆ **Ніколи не розташовуйте руку біля рухомих аксесуарів.** Може виникнути віддача аксесуару через руку.
- ◆ **Не розташовуйте своє тіло в зоні, куди буде рухатися інструмент у разі віддачі.** Віддача призведе до руху інструменту в напрямку протилежному руху круга в точці заїдання.
- ◆ **Будьте особливо уважними при обробці кутів, гострих країв, тощо.** Уникайте відстрибування та заїдання аксесуарів. Кути, гострі краї або відстрибування можуть призвести до затиснення аксесуару та викликати втрату контролю або віддачу.
- ◆ **Не прикріплюйте полотно для різьблення ланцюгової пилки або полотна із зазублинами.** Такі пильні полотна призводять до частих віддач та втрати контролю.

Додаткові інструкції з техніки безпеки для операцій шліфування та відрізання

Попередження з техніки безпеки для операцій шліфування та абразивного відрізання

- ◆ **Використовуйте лише рекомендовані для вашого інструменту круги та спеціальні захисні кожухи, розроблені для обраного круга.** Круги, які не розраховані для використання з певним інструментом не можна захистити відповідним чином, тому вони є небезпечними.
- ◆ **Необхідно надійно прикріпити захисний кожух до інструменту і розташувати його так, щоб він забезпечував максимальну безпеку, тобто щоб з боку оператора якомога менша частина круга була захищеною.** Захисний кожух допомагає захистити оператора від уламків зламаного круга та випадкового контакту з кругом.
- ◆ **Необхідно використовувати круги лише для виконання рекомендованих завдань.** Наприклад, забороняється шліфувати боковою поверхнею круга для відрізання. Абразивні відрізи круги призначені для шліфування периферією круга, тому бокові сили, застосовані до цих кругів, можуть призвести до поломки круга.
- ◆ **Завжди використовуйте непошкоджені фланці кругів вірного розміру та форми для обраного круга.** Відповідно підібрані фланці підтримують круг, зменшуючи ймовірність його пошкодження. Фланці відрізнити кругів можуть відрізнятись від фланців шліфувальних кругів.
- ◆ **Не використовуйте зношені круги, що використовувались для більших інструментів.** Круги для більших інструментів не призначені для вищої швидкості менших електричних інструментів і можуть розірватися.

Додаткові попередження з техніки безпеки для операцій абразивного відрізання

- ◆ **Не “затискуйте” ріжучий круг та не застосовуйте надмірний тиск до інструменту.** Не намагайтесь створювати розрізи надмірної глибини. Надмірний тиск на круг збільшує навантаження і чутливість до заїдання або деформації круга в розрізі та можливість віддачі або поломки круга.
- ◆ **Не розташовуйте своє тіло в одну лінію з кругом або поза кругом, що обертається.**

Коли круг в точці роботи рухається від вашого тіла, можлива віддача може штовхнути круг, що обертається, та інструмент на вас.

- ◆ **Якщо круг заїдає або при припиненні виконання розрізу з будь-якої причини, вимкніть інструмент та утримуйте його нерухомим, доки круг не буде повністю зупинений. Ніколи не намагайтесь витягнувати круг з розрізу, коли круг рухається, інакше може виникнути віддача.** Проаналізуйте та вживайте необхідних заходів для уникнення затиснення диску.

- ◆ **Не поновлюйте роботу інструменту занурюючи його у вимкненому стані у вже виконаний розріз.**

Дайте кругу досягти повної швидкості та обережно вставте його в розпочатий розріз. Диск може бути затиснений або він може відброшений при поновленні роботи інструменту.

- ◆ **Опорні пластини або заготовки великого розміру можуть допомогти звести до мінімуму ризик заїдання кругу та віддачі.** Великі заготовки можуть прогинатися під власною вагою. Опори необхідно розташувати під заготовкою біля лінії розрізу та біля краю заготовки з обох боків кругу.
- ◆ **Будьте особливо уважними при виконанні “кишенькового розрізу” в існуючих стінах або інших місцях, де відсутня видимість.** Виступаючий круг може розрізати газову або водяну трубу, електричні кабелі або інші предмети, що може спричинити віддачу та завдати шкоди вашому здоров'ю.

Попередження з техніки безпеки для виконання піскоструминної обробки

- ◆ **Не використовуйте папір для наждакових кругів надмірного розміру.**

Виконуйте рекомендації виробника при виборі наждакового паперу. Наждаковий папір більшого розміру, що виступає за основу для полірування, представляє небезпеку та може спричинити обдирання, розривання диску або віддачу.

Попередження з техніки безпеки для виконання полірування

- ◆ **Не дозволяйте вільно обертатися частинкам, що утворюються при поліруванні, або фіксуючим пружинам. Сховайте або обріжте всі вільні фіксуючі пружини.** Вільні фіксуючі пружини можуть заплутати ваші пальці або застряти на заготовці.

Попередження з техніки безпеки для виконання очищення дротовою щіткою

- ◆ **Не забувайте, що щетинки з дроту відлітають від щітки навіть за умови звичайної роботи. Не застосовуйте надмірного навантаження на дротову щітку.** Уламки щетинок можуть легко проникнути в тонкий одяг та/або шкіру.
- ◆ **Якщо захисний пристрій рекомендований для використання з дротовою щіткою, не дозволяйте контактів дротового диску або щітки із захисним пристроєм.** Дротовий диск або щітка може збільшитися в діаметрі через надмірне навантаження та відцентрові сили.

Увага! Рекомендується застосовувати дротову щітку з інструментами які мають функцію регулювання швидкості обертання кругу.

Безпека сторонніх людей

- ◆ Пристрій не розрахований для використання особами (включаючи дітей) із зниженими фізичними, сенсорними або розумовими можливостями або недостатнім досвідом та знаннями, за винятком випадків, коли вони працюють під наглядом або отримали певні інструкції від людей, відповідальних за їх безпеку.
- ◆ Необхідно наглядати за дітьми, не дозволяючи їм гратися з інструментом.

Вібрація

Значення вібрації, вказані в технічних даних та в декларації про відповідність виміряні з дотриманням стандартних методів тестування, наданих в EN 60745, та їх можна використовувати для порівняння одного інструменту з іншим. Задекларовані значення вібрації можна також використовувати для попередньої оцінки впливу вібрації.

Попередження! Значення вібрації під час використання інструменту може відрізнятись від задекларованого в залежності від способів використання інструменту. Рівень вібрації може перевищувати вказані значення.

При оцінці впливу вібрації для визначення заходів безпеки за вимогами 2002/44/ЕС, щоб захистити людей, що регулярно використовують інструменти в роботі, необхідно враховувати реальні умови та способи використання інструменту, включаючи врахування всіх періодів робочого циклу, наприклад, часу, коли інструмент вимкнено та коли він знаходиться в режимі очікування, а також часу реальної роботи інструменту.

Написи на інструменті



Попередження! Щоб зменшити ризик травм, користувач повинен прочитати керівництво з експлуатації.



Використовуйте захисні окуляри при роботі з інструментом.



Використовуйте засоби захисту вух при використанні цього інструменту.

Електрична безпека



Цей інструмент має подвійну ізоляцію ; тому заземлення не є необхідним. Завжди перевіряйте, що джерело живлення відповідає напрузі, що вказана на табличці з паспортними даними.

- ◆ Якщо шнур живлення пошкоджений, його необхідно замінити у виробника або в офіційному сервісному центрі Black & Decker для уникнення небезпеки.

Деталі

Цей інструмент має деякі чи всі деталі з нижче вказаних:

1. Вимикач
2. Бокова ручка
3. Блокування шпинделя
4. Захисний кожух

Збірка

Попередження! Перед зборкою переконайтеся, що інструмент вимкнено та вилка витягнута з розетки.

Встановлення та знімання захисного кожуху (А та В)

Інструмент оснащений захисним кожухом, призначеним для шліфування. Якщо інструмент призначений для різання, необхідно встановити захисний кожух, призначений спеціально для цих операцій. Відповідний захисний кожух для операцій розрізання (номер деталі 1004484-00) можна придбати в сервісному центрі Black & Decker.

Установка

- ◆ Помістіть інструмент на стіл так, щоб шпиндель (5) був зверху.
- ◆ Розташуйте шайбу Гровера (6) над шпинделем та помістіть її на опорний диск (7).

- ◆ Розташуйте захисний кожух (4) на інструменті, як показано.
- ◆ Розташуйте фланець (8) над шпинделем так, щоб виступи були направлені на захисний кожух. Переконайтеся, щоб отвори у фланці співпадали з різьбовими отворами.
- ◆ Закріпіть фланець за допомогою гвинтів (9). Переконайтеся, що гвинти добре затягнуті та захисний кожух можна повернути.

Знімання

- ◆ Використовуйте викрутку для відкручування гвинтів (9).
- ◆ Зніміть фланець (8), захисний кожух (4) та шайбу Гровера (7).
Обережно зберігайте ці деталі.

Попередження! Не використовуйте інструмент без захисного кожуху.

Установка бокової ручки

- ◆ Прикріпіть бокову ручку (2) до одного з монтажних отворів інструменту.

Попередження! Завжди використовуйте бокову ручку.

Установка та знімання ріжучих та шліфувальних кругів (мал. С - Е)

Завжди використовуйте коректний тип круга для вашої задачі.

Завжди використовуйте диски коректного діаметру та діаметру отвору (див. технічні дані).

Установка

- ◆ Встановіть захисний кожух, як описано вище.
- ◆ Розташуйте внутрішній фланець (10) на шпинделі (5), як показано (мал. С). Переконайтеся, що фланець встановлено правильно та що він розташований на плоскому боці шпинделя.
- ◆ Розташуйте диск (11) на шпинделі (5), як показано (мал. С).
Якщо круг має піднятий центр (12), переконайтеся, що піднятий центр направлений на внутрішній фланець.
- ◆ Переконайтеся, що диски розміщені коректно на внутрішньому фланці.
- ◆ Розташуйте зовнішній фланець (13) на шпинделі. При встановленні шліфувального круга піднятий центр на зовнішньому фланці має дивитися на круг (А на мал. D). При встановленні ріжучого круга піднятий центр на зовнішньому фланці має дивитися від круга (В на мал. D).

- ◆ Тримайте затискач шпинделя (3) нажатим та затягніть зовнішній фланець, використовуючи двоштирьковий гайковий ключ (14) (рис. Е).

Знімання

- ◆ Тримайте затискач шпинделя (3) нажатим та розслабте зовнішній фланець (13), використовуючи двоштирьковий гайковий ключ (14) (рис. Е).
- ◆ Зніміть зовнішній фланець (13) та диск (11).

Установка та знімання наждакового круга (мал. Е та F)

Для використання наждакового круга необхідна опорна прокладка. Опорну прокладку можна придбати серед аксесуарів через дилерів компанії Black & Decker при необхідності.

Установка

- ◆ Розташуйте внутрішній фланець (10) на шпинделі (5), як показано (мал. F) використання. Переконайтесь, що фланець встановлено правильно та що він розташований на плоскому боці шпинделя.
- ◆ Розташуйте опорну прокладку (15) на шпинделі.
- ◆ Розташуйте наждаковий диск (16) на опорній прокладці.
- ◆ Розташуйте зовнішній фланець (13) на шпинделі так, щоб піднятий центр був направлений від круга.
- ◆ Тримайте затискач шпинделя (3) нажатим та затягніть зовнішній фланець, використовуючи двоштирьковий гайковий ключ (14) (мал. Е). Переконайтесь, що зовнішній фланець встановлено коректно та круг добре закріплено.

Знімання

- ◆ Тримайте затискач шпинделя (3) нажатим та розслабте зовнішній фланець (13), використовуючи двоштирьковий гайковий ключ (14) (рис. Е).
- ◆ Зніміть зовнішній фланець (13), наждаковий круг (16) та опорну прокладку (15).

Залишкові ризики

Додаткові залишкові ризики можуть виникнути при використанні інструменту, який не включено до наведених попереджень з техніки безпеки. Ці ризики можуть виникнути через невірне використання, тривале використання, тощо. Незважаючи на виконання всіх відповідних правил техніки безпеки та використання пристроїв безпеки, неможливо уникнути деяких залишкових ризиків. Сюди належать:

- ◆ Травми через контакт з деталями, що рухаються/обертаються.
- ◆ Травми при заміні деталей, пильних полотен або аксесуарів.
- ◆ Травми через занадто тривале використання інструменту. При використанні будь-якого інструменту протягом тривалого періоду часу не забувайте робити регулярні перерви.
- ◆ Пошкодження слуху.
- ◆ Небезпека для здоров'я через вдихання пилу, що утворюється при використанні інструменту (наприклад, при роботі з деревом, особливо з дубом, березою та ДВП).

Використання

Попередження! Інструмент має працювати з передбаченою швидкістю. Не перевантажуйте його.

- ◆ Обережно працюйте з кабелем, щоб випадково його не порізати.
- ◆ Будьте готові до появи іскор, коли шліфувальний та ріжучий круг торкається деталі.
- ◆ Завжди розміщуйте інструмент таким чином, щоб захисний кожух надавав оптимальний захист від шліфувального та ріжучого кругів.

Вмикання та вимикання

- ◆ Щоб увімкнути інструмент, перемістіть перемикач Вкл./Викл. (1) вперед. Пам'ятайте, що інструмент продовжує працювати, коли ви опускаєте вимикач.
- ◆ Щоб вимкнути інструмент, натисніть на задню частину вимикача.

Попередження! Не вимикайте інструмент під навантаженням.

Примітки для оптимального використання

- ◆ Добре утримуйте інструмент однією рукою за бокову ручку та іншою рукою за головну ручку.
- ◆ При шліфуванні завжди зберігайте кут приблизно 15° між кругом та поверхнею деталі.

Технічне обслуговування

Ваш інструмент виробництва компанії Black & Decker призначений для роботи протягом довгого часу з мінімальним обслуговуванням. Постійна задовільна робота залежить від правильного догляду за інструментом та регулярної очистки.

Попередження! Перед виконанням будь-якого технічного обслуговування інструменту зі шнуром живлення або без нього:

- ◆ Вимкніть інструмент та відключіть його від мережі живлення.
- ◆ Або вимкніть та витягніть батарею з інструменту, якщо інструмент оснащений окремим акумулятором.
- ◆ Або повністю розрядіть акумулятор, якщо він не витягається, а потім вимкніть інструмент.
- ◆ Витягніть зарядний пристрій з розетки перед очисткою. Ваш зарядний пристрій не вимагає технічного обслуговування, лише необхідно проводити регулярну очистку.
- ◆ Регулярно очищуйте вентиляційні отвори пристрою/інструменту/зарядного пристрою, використовуючи м'яку щітку або суху ганчірку.
- ◆ Регулярно очищуйте корпус двигуна, використовуючи вологу ганчірку. Не використовуйте абразивні очищувачі або очищувачі на основі розчинників.
- ◆ Регулярно відкривайте затискний патрон та струшуйте його, щоб видалити пил з середини (якщо такий є).

Захист навколишнього середовища



Окреме збирання. Цей продукт не можна викидати разом із звичайним домашнім сміттям.

Якщо якось Ви вирішите, що ваш виріб фірми Black & Decker має бути замінено, або він Вам більше не потрібний, не викидайте його на смітник побутового сміття. Зробіть цей виріб доступним для спеціального збору.



Окремий збір використаних виробів та упаковки дозволяє повторно переробляти та використовувати матеріали. Переробка повторно використаних матеріалів допомагає попередити забруднення навколишнього середовища та зменшує потребу в сировині.

Місцеві законодавчі акти можуть передбачати окремий збір електричного обладнання в муніципальних місцях для збору сміття або продавцями при покупці нового обладнання.

Компанія Black & Decker має можливість для збору та переробки продуктів власного виробництва після закінчення їхнього терміну служби. Щоб скористатися цією послугою, поверніть виріб компанії в офіційний сервісний центр, які збирають відпрацьовані продукти за наш рахунок.

Ви можете знайти місцезнаходження найближчого до Вас сервісного центру, зв'язавшись з місцевим офісом компанії Black & Decker за адресою, вказаною в цих інструкціях. Крім того, список офіційних сервісних центрів компанії Black & Decker з усіма подробицями нашого післяпродажного обслуговування та контактною інформацією міститься в Інтернеті за адресою: www.2helpU.com

Технічні дані

		AST15 TYPE 3	KG725 TYPE 3	KG900 TYPE 3
Вхідна напруга	V_{AC}	230	230	230
Вхідна потужність	W_t	900	701	900
Швидкість без навантаження	об / хв	10,000	10,000	10,000
Діаметр круга	мм	115	125	100
Діаметр отвору круга	мм	22	22	16
Макс. товщина круга				
шліфувальні круги	мм	6	6	6
ріжучі круги	мм	3.5	3.5	3.5
Розмір шпинделя	мм	M14	M14	M10
Вага	кг	2.1	2.1	2.1

		KG915 TYPE 3	KG925 TYPE 3
Вхідна напруга	V_{AC}	230	230
Вхідна потужність	W_t	900	900
Швидкість без навантаження	об / хв	10,000	10,000
Діаметр круга	мм	115	125
Діаметр отвору круга	мм	22	22
Макс. товщина круга			
шліфувальні круги	мм	6	6
ріжучі круги	мм	3.5	3.5
Розмір шпинделя	мм	M14	M14
Вага	кг	2.1	2.1

Рівень звукового тиску відповідно до EN 60745:

Звуковий тиск (L_{pA}) 91 дБ(A), похибка (K) 3 дБ (A)
Акустична потужність (L_{WA}) 102 дБ(A), похибка (K) 3 дБ (A)

Сумарні значення вібрації (триаксиальна векторна сума) відповідно до EN 60745:

Плоске шліфування ($a_{h,AG}$) 7 м/с², похибка (К) 1,5 м/с²
Відрізання (a_r) 2,5 м/с², похибка (К) 1,5 м/с²

Заява про відповідність ЄС
ДИРЕКТИВА ДЛЯ МЕХАНІЧНОГО
ОБЛАДНАННЯ



AST15, KG725, KG900, KG915, KG925

Компанія Black & Decker заявляє, що продукти, описані в розділі "Технічні дані" відповідають: 2006/42/EC, EN60745-1, EN60745-2-3

Ці продукти також відповідають Директиві 2004/108/EC і 2011/65/EU.

Для отримання додаткової інформації, будь ласка, зверніться до компанії Black & Decker за наступною адресою або прочитайте інформацію на зворотній стороні цього керівництва.

Нижчепідписаний несе відповідальність за упорядкування файлу технічних характеристик та робить цю заяву від компанії Black & Decker

Кевін Хьюїт (Kevin Hewitt)
Віце-президент з глобальних розробок
Black & Decker Europe, 210 Bath Road, Slough,
Berkshire, SL1 3YD
Великобританія
23/03/2012

БЛЕК ЕНД ДЕККЕР

гарантійні умови

Шановний покупцю!

1. Вітаємо Вас з покупкою високоякісного виробу компанії Black & Decker та висловлюємо Вам свою вдячність за Ваш вибір.
 - 1.1. Надійна робота цього виробу на протязі всього терміну експлуатації є предметом особливої турботи наших сервісних служб. У випадку виникнення будь-яких проблем в процесі експлуатації виробу ми рекомендуємо Вам звертатися лише до авторизованих сервісних організацій, адреси та телефони яких Ви зможете знайти в Гарантійному талоні або дізнатися в магазині. Наші сервісні центри – це не тільки кваліфікований ремонт, але і широкий вибір запчастин та аксесуарів.
 - 1.2. При купівлі виробу вимагайте перевірки його комплектності та справності за Вашої присутності, наявності інструкції з експлуатації та заповненого Гарантійного талону на українській мові. За умови відсутності у Вас правильно заповненого Гарантійного талону ми будемо вимушені відхилити Ваші претензії щодо якості цього виробу.
 - 1.3. Щоб уникнути всіх непорозумінь наполегливо просимо Вас перед початком роботи з виробом уважно ознайомитись з інструкцією щодо його експлуатації.
 - 1.4. Звертаємо Вашу увагу на виключно побутове призначення цього виробу.
2. Правовою основою даних гарантійних умов є діюче Законодавство та, зокрема, Закон "Про захист прав споживачів".
3. Гарантійний термін на даний виріб складає 24 місяці та починається з дня продажу через роздрібну торгову мережу. У випадку усунення недоліків виробу гарантійний термін продовжується на період, протягом якого виріб не використовувався.
4. Термін служби виробу - 5 років (мінімальний, встановлений у відповідності до Закону "Про захист прав споживачів").
5. Наші гарантійні зобов'язання поширюються тільки на несправності, виявлені протягом гарантійного терміну та обумовлені виробничими та конструктивними факторами.
 6. Гарантійні зобов'язання не поширюються:
 - 6.1. На несправності виробу, що виникли в результаті:
 - 6.1.1. Недотримання користувачем вказівок інструкції з експлуатації виробу.
 - 6.1.2. Механічних пошкоджень, викликаних зовнішнім ударним або іншим впливом.
 - 6.1.3. Використання виробу в професійних цілях та об'ємах, в комерційних цілях.
 - 6.1.4. Застосування виробу не за призначенням.
 - 6.1.5. Стихійного лиха.
 - 6.1.6. Неприятливому атмосферному та інших зовнішніх впливах на виріб, таких як дощ, сніг, підвищена вологість, нагрів, агресивні середовища, невідповідність параметрів електромережі параметрам, вказаним на інструменті.
 - 6.1.7. Використання аксесуарів, витратних матеріалів та запчастин, які не рекомендовані або не схвалені виробником.
 - 6.1.8. Проникнення всередину інструменту сторонніх предметів, комах, матеріалів або речовин, що не є відходами, які супроводжують використання інструменту за призначенням, наприклад, стружки, опилки та ін.
 - 6.2. На інструменти, що були відкриті, піддані ремонту або модифікації поза уповноваженим сервісним центром.
 - 6.3. На приналежності, запчастини, що вийшли з ладу внаслідок нормального зносу, та витратні матеріали, такі як, приводні ремені, вугільні щітки, ножі, та ін.
 - 6.4. На несправності, які виникли в результаті перевантаження інструменту, що призвело до виходу з ладу електродвигуна або інших вузлів та деталей. До безумовних ознак перевантаження виробу належать, зокрема: поява кольорів мінливості, деформація або оплавлення деталей та вузлів виробу, потемніння або обвуглювання ізоляції дротів електродвигуна під впливом високої температури.



Блек енд Декер ГмбХ,
Блек енд Декер Штрассе, 40,
65510 Ідштайн, Німеччина.

007

03 червня 1999 р.

Kullanım amacı

Black & Decker avuç taşlama makineniz uygun tipte kesme ve taşlama diskini kullanarak metal ve taşların taşlanması ve kesilmesi için tasarlanmıştır. Uygun disk muhafazasının takılması suretiyle bu alet sadece hafif hizmet ve hobi kullanımı içindir.

Güvenlik talimatları

Genel elektrikli alet güvenlik uyarıları



UYARI! Bütün güvenlik uyarılarını ve talimatlarını mutlaka okuyun.

Bu talimatların herhangi birisine uyulmaması elektrik çarpması, yangın ve/veya ciddi yaralanma riskine neden olabilir.

Bütün uyarı ve güvenlik talimatlarını ileride bakmak üzere saklayın.

Aşağıda yer alan uyarılardaki "elektrikli alet" terimi şebeke elektriğiyle (kablolu) veya akü/pille (şarjlı) çalışan elektrikli aletinizi ifade etmektedir.

1) Çalışma alanının güvenliği

- Çalışma alanını temiz ve aydınlık tutun.** Karışık ve karanlık alanlar kazaya davetiye çıkartır.
- Elektrikli aletleri, yanıcı sıvılar, gazlar ve tozların bulunduğu yerler gibi yanıcı ortamlarda çalıştırmayın.** Elektrikli aletler, toz veya dumanları ateşleyebilecek kıvılcımlar çıkartır.
- Bir elektrikli aleti çalıştırırken çocuklardan ve etraftaki kişilerden uzak tutun.** Dikkatinizi dağıtıcı şeyler kontrolü kaybetmenize neden olabilir.

2) Elektrik güvenliği

- Elektrikli aletlerin fişleri prizlere uygun olmalıdır. Fiş üzerinde kesinlikle hiçbir değişiklik yapmayın. Topraklı elektrikli aletlerde hiçbir adaptör fişi kullanmayın.** Değiştirilmemiş fişler ve uygun prizler elektrik çarpması riskini azaltacaktır.
- Borular, radyatörler, ocaklar ve buzdolapları gibi topraklanmamış yüzeylerle vücut temasından kaçının.** Vücudunuzun topraklanması halinde yüksek bir elektrik çarpması riski vardır.
- Elektrikli aletleri yağmura maruz bırakmayın veya ıslatmayın.** Elektrikli alete su girmesi elektrik çarpması riskini arttıracaktır.
- Elektrik kablosunu uygun olmayan amaçlarla kullanmayın. Elektrikli aleti kesinlikle kablosundan tutarak taşımayın, çekmeyin**

veya prizden çıkartmayın. Kabloyu sıcaktan, yağdan, keskin kenarlardan veya hareketli parçalardan uzak tutun. Hasarlı veya dolaşmış kablolar elektrik çarpması riskini artırır.

- Elektrikli bir aleti açık havada çalıştırıyorsanız, açık havada kullanıma uygun bir uzatma kablosu kullanın.** Açık havada kullanıma uygun bir kablonun kullanılması elektrik çarpması riskini azaltır.
- Eğer bir elektrikli aletin nemli bir bölgede çalıştırılması zorunluysa, bir artık akım aygıtı (RCD) korumalı bir kaynak kullanın.** Bir RCD kullanılması elektrik şoku riskini azaltır.

3) Kişisel güvenlik

- Elektrikli bir aleti kullanırken her zaman dikkatli olun, yaptığınız işe yoğunlaşın ve sağduyulu davranın. Elektrikli bir aleti yorgunken veya ilaç ya da alkolün etkisi altındayken kullanmayın.** Elektrikli aletleri kullanırken bir anlık dikkatsizlik ciddi kişisel yaralanmayla sonuçlanabilir.
- Kişisel koruyucu ekipmanları mutlaka kullanın. Daima koruyucu gözlük takın.** Koşullara uygun toz maskesi, kaymayan güvenlik ayakkabıları, baret veya kulaklık gibi koruyucu donanımların kullanılması kişisel yaralanmaları azaltacaktır.
- İstem dışı çalıştırılmasını önleyin. Cihazı güç kaynağına ve/veya aküye bağlamadan, yerden kaldırmadan veya taşımadan önce düğmenin kapalı konumda olduğundan emin olun.** Aleti, parmağınız düğme üzerinde bulunacak şekilde taşımak veya açık konumdaki elektrikli aletleri elektrik şebekesine bağlamak kazaya davetiye çıkartır.
- Elektrikli aleti açmadan önce tüm ayarlama anahtarlarını çıkartın.** Elektrikli aletin hareketli bir parçasına takılı kalmış bir anahtar kişisel yaralanmaya neden olabilir.
- Ulaşmakta zorlandığınız yerlerde kullanmayın. Daima sağlam ve dengeli basın.** Bu, beklenmedik durumlarda elektrikli aletin daha iyi kontrol edilmesine olanak tanır.
- Uygun şekilde giyinin. Bol elbiseler giymeyin ve takı takmayın. Saçınızı, elbiselerinizi ve eldivenlerinizi hareketli parçalardan uzak tutun.** Bol elbiseler ve takılar veya uzun saç hareketli parçalara takılabilir.
- Eğer kullandığınız üründe toz emme ve toplama özellikleri olan ataşmanlar varsa bunların bağlı olduğundan ve doğru şekilde kullanıldığından emin olun.** Bu ataşmanların kullanılması tozla ilgili tehlikeleri azaltabilir.

- 4) **Elektrikli aletlerin kullanımı ve bakımı**
- a) **Elektrikli aleti zorlamayın. Uygulamanız için doğru elektrikli aleti kullanın.** Doğru elektrikli alet, belirlendiği kapasite ayarında kullanıldığında daha iyi ve güvenli çalışacaktır.
- b) **Düğme açmıyor ve kapatmıyorsa elektrikli aleti kullanmayın.** Düğmeyle kontrol edilemeyen tüm elektrikli aletler tehlikelidir ve tamir edilmesi gerekmektedir.
- c) **Herhangi bir ayarlama, aksesuar değişimi veya elektrikli aletlerin saklanması öncesinde fişi güç kaynağından çekin ve/veya aküyü aletten ayırın.** Bu tür önleyici güvenlik tedbirleri elektrikli aletin istem dışı olarak çalıştırılması riskini azaltacaktır.
- d) **Elektrikli aleti, çocukların ulaşamayacağı yerlerde saklayın ve elektrikli aleti tanımayan veya bu talimatları bilmeyen kişilerin elektrikli aleti kullanmasına izin vermeyin.** Elektrikli aletler, eğitimsiz kullanıcıların elinde tehlikelidir.
- e) **Elektrikli aletleri iyi durumda muhafaza edin. Hareketli parçalardaki hizalama hatalarını ve tutuklukları, parçalardaki kırılmalar ve elektrikli aletin çalışmasını etkileyebilecek tüm diğer koşulları kontrol edin. Hasarlı ise, elektrikli aleti kullanmadan önce tamir ettirin.** Kazaların çoğu, elektrikli aletlerin bakımının yeterli şekilde yapılmamasından kaynaklanır.
- f) **Kesim aletlerini keskin ve temiz tutun.** Bakımı uygun şekilde yapılmış keskin kesim uçlu kesim aletlerinin sıkışma ihtimali daha düşüktür ve kontrol edilmesi daha kolaydır.
- g) **Elektrikli aleti, aksesuarlarını ve aletin diğer parçalarını kullanırken bu talimatlara mutlaka uyun ve çalışma ortamının koşullarını ve yapılacak işin ne olduğunu göz önünde bulundurun.** Elektrikli aletin öngörülen işlemler dışındaki işlemler için kullanılması tehlikeli durumlara neden olabilir.
- 5) **Servis**
- a) **Elektrikli aletinizi, sadece orijinal yedek parçaların kullanıldığı yetkili servise tamir ettirin.** Bu, elektrikli aletin güvenliğinin muhafaza edilmesini sağlayacaktır.

Elektrikli el aletleri için ek güvenlik talimatları



Uyarı! Taşlama, zımparalama, fırçalama, polisaj veya aşındırıcı diskle kesme işleri için ek güvenlik talimatları.

- ◆ **Bu elektrikli alet bir taşlama, zımparalama, fırçalama, polisaj veya kesme makinesi olarak kullanılmak üzere tasarlanmıştır. Bu elektrikli alet ile verilen tüm güvenlik uyarıları, talimatlar, resimli açıklamalar ve teknik özellikleri okuyun.** Aşağıda açıklanan bütün talimatlara uyulmaması elektrik çarpması, yangın ve/veya ciddi yaralanmaya yol açabilir.
- ◆ **Elektrikli aletin tasarlanma amacı dışındaki işlemler tehlike ve kişisel yaralanmalara neden olabilir.**
- ◆ **Üretici firma tarafından özel olarak tasarlanmamış ve tavsiye edilmemiş aksesuarları kullanmayın.** Aksesuarın elektrikli aletinize takılabilir olması güvenli bir çalışma temin edeceği anlamına gelmemektedir.
- ◆ **Aksesuarın nominal hızı en az elektrikli alet üzerinde yazan maksimum hıza eşit olmalıdır.** Nominal hızından daha hızlı çalışan aksesuarlar kırılabilir ve etrafa saçılabilir.
- ◆ **Aksesuarınızın dış çapı ve kalınlığı elektrikli aletinizin kapasite oranı içinde olmalıdır.** Yanlış ebatlı aksesuarlar yeteri kadar korunamaz ve kontrol edilemez.
- ◆ **Disk, flanş, taban ya da diğer aksesuarların mil çapı elektrikli aletin miline tam olarak uymalıdır.** Elektrikli aletin montaj donanımına uymayan mil çapına sahip aksesuarlar dengesiz çalışır, aşırı titreşim yapar ve kontrolü kaybetmeye neden olabilir.
- ◆ **Hasar görmüş olan bir aksesuarı kullanmayın. Her kullanımdan önce aksesuarları inceleyin, örneğin diski talaş ve çatlaklara karşı, tabanı çatlak, kopma ya da aşırı kullanıma karşı, tel fırçayı gevşek ya da kırık tellere karşı kontrol edin. Elektrikli alet ya da aksesuar düşürülürse, hasar olup olmadığını kontrol edin ya da sağlam aksesuar takın. Aksesuarın incelenmesi ve monte edilmesinden sonra bir dakika boyunca elektrikli aleti boşta ve maksimum hızda çalıştırın.** Bu test süresince hasarlı aksesuarlar normal olarak kırılarak dağılacaktır.
- ◆ **Kişisel koruyucu ekipman giyin. Uygulamaya bağlı olarak yüz kalkanı, koruyucu gözlük ya da güvenlik gözlükleri kullanın. Yeri geldiğinde küçük aşındırıcı maddeleri ya da işleme tabi tutulan parçaları durdurabilen toz maskesi, kulaklık, eldiven ve iş önlüğü giyin.** Göz koruması, çeşitli işlemler sonucu açığa çıkan uçan parçacıkları durdurabilmelidir. Toz maskesi ya da gaz maskesi yaptığınız işlem sonucu açığa çıkan partikülleri filtreleyebilmelidir. Uzun süreli yüksek şiddetli gürültüye maruz kalınması işitme kaybına neden olabilir.

- ◆ **Çevrede bulunan şahısları çalışma alanından uzakta güvenli bir mesafede tutun. Çalışma alanına giren şahıslar kişisel koruyucu ekipman giymelidir.** İşleme tabi tutulan parçanın ya da kırık bir aksesuarın parçacıkları fırlayabilir ve çalışma alanının yakın çevresinde yaralanmalara neden olabilir.
- ◆ **Aletin zımpara kağıdı/tabanı kendi kablosuna temas edebileceği için elektrikli el aletini yalıtımlı kavrama yüzeylerinden tutun.** «Akım taşıyan» bir teli kesmesi metal kısımları «akım taşıyıcı» hale götürür ve operatörün çarpılmasına yol açacaktır.
- ◆ **Kabloyu dönen aksesuardan uzak tutun.** Kontrolü kaybederseniz kablo kesilebilir ya da kopabilir ve eliniz ya da kolunuz dönen aksesuar içine çekilebilir.
- ◆ **Aksesuar tamamen durmadıkça elektrikli aleti asla yere koymayın.** Dönen aksesuar yüzeyi yakalayabilir ve elektrikli aleti kontrolünüzden çıkarabilir.
- ◆ **Elektrikli aleti yanınızda taşırken çalıştırmayın.** Kaza ile temas halinde, dönen aksesuar giysinize takılabilir, aksesuarı vücudunuza doğru çekebilir.
- ◆ **Elektrikli aletin hava çıkışlarını düzenli olarak temizleyin.** Motor fanı, tozu muhafaza içine çeker ve aşırı metal toplanması elektriksel tehlike yaratabilir.
- ◆ **Elektrikli aleti yanıcı malzemelerin yakınında çalıştırmayın.** Kıvılcım bu malzemeleri tutuşturabilir.
- ◆ **Sıvı soğutucu gerektiren aksesuarlar kullanmayın.** Su ya da diğer sıvı soğutucuların kullanılması elektrik çarpması ya da şok ile sonuçlanabilir.

Not: Yukarıdaki uyarı sıvı sistemle çalışmak üzere tasarlanmış elektrikli el aletleri için geçerli değildir.

Geri tepme ve ilgili uyarılar

Geri tepme, sıkışmış veya takılmış bir disk, taban, fırça veya diğer aksesuarlara verilen ani tepkidir. Sıkışma veya takılma dönen aksesuarın aniden durmasına neden olur, bu daha sonra temas noktasında elektrikli aletin kontrolsüzce, aksesuarın dönme yönünün tersine doğru zorlanmasına yol açar.

Örneğin, bir aşındırıcı disk, işleme tabi tutulan parçaya takılır ya da sıkışır; sıkışma noktasına giren disk kenarı malzemenin yüzeyine saplanarak, diskin geri tepmesine ya da fırlamasına neden olabilir. Disk, sıkışma noktasındaki hareket yönüne

bağlı olarak ya kullanıcıya doğru ya da kullanıcıdan uzağa fırlayabilir.

Aşındırıcı diskler bu koşullar altında kırılabilir.

Geri tepme, aletin yanlış kullanılması ve/veya yanlış çalıştırma işlemleri veya çalıştırma şartları sonucu ortaya çıkar ve aşağıda verilen önlemler alınarak engellenebilir.

- ◆ **Elektrikli aleti sıkıca tutun, vücudunuzu ve kolunuzu geri tepme gücüne karşı koyacak şekilde konumlandırın. Geri tepmeye ya da çalıştırma sırasındaki döndürme momenti tepkisine karşı maksimum kontrol sağlamak için eğer varsa yan tutma kolunu kullanın.** Doğru önlemler alınırsa döndürme momenti tepkileri ya da geri tepmeler kullanıcı tarafından kontrol edilebilir.
- ◆ **Döner aksesuar civarına asla elinizi sokmayın.** Aksesuar elinizde geri tepme etkisi yapabilir.
- ◆ **Geri tepmenin meydana gelmesi durumunda vücudunuzu elektrikli aletin hareket edeceği alanda bulundurmayın.** Geri tepme hareketi aleti takılma noktasında disk hareketine ters yönde itecektir.
- ◆ **Köşe, keskin kenarlar vb. yerlerle çalışırken özellikle dikkatli olun. Aksesuarın sekmesinden ve takılmasından kaçının.** Köşeler, keskin kenarlar ya da sektirme hareketi döner aksesuarı engelleme eğilimindedir ve kontrolün kaybedilmesine ya da geri tepmeye neden olabilir.
- ◆ **Zincirli testere zinciri, ahşap oyma bıçağı ya da dişli daire/gönye testere bıçağı takmayın.** Bu tür bıçaklar sık sık geri tepme ve kontrol kaybı oluşturur.

Taşıma ve kesme uygulamaları için ek güvenlik uyarıları

Taşıma ve aşındırıcı kesme uygulamaları için özel güvenlik uyarıları

- ◆ **Sadece elektrikli aletiniz için tavsiye edilen disk türlerini ve seçilen disk için tasarlanmış özel muhafazayı kullanın.** Elektrikli aletin birlikte kullanılmak için tasarlanmadığı diskler yeteri kadar korunamazlar ve güvenli değildir.
- ◆ **Muhafazanın elektrikli alete güvenli bir şekilde bağlanması ve maksimum güvenlik için konumlandırılması gerekir, böylece diskin çok az bir kısmı kullanıcıya açık olacaktır.** Muhafaza, kullanıcının kırılan disk parçacıklarından ve disk ile istenmeyen temaslardan korunmasına yardımcı olur.

- ◆ **Diskler sadece önerilen uygulamalar için kullanılmalıdır. Örneğin: kesme diskinin kenarı ile taşlama yapmayın.** Aşındırıcı kesici diskler çevresel aşındırma için tasarlanmıştır, bu disklere uygulanan yan kuvvetler diskleri parçalayabilir.
- ◆ **Her zaman seçilen disk için doğru ebat ve şekilde, hasarsız flanşları kullanın.** Uygun flanşlar, diski destekler ve disk kırılması olasılığını azaltır. Kesme diski flanşları taşlama diski flanşlarından farklı olabilir.
- ◆ **Daha büyük çaplı taşlamaların yıpranmış disklerini kullanmayın.** Daha büyük elektrikli aletler için tasarlanmış disk daha küçük bir aletin yüksek hızları için uygun değildir ve parçalanabilir.

Aşındırıcı kesme uygulamalarına özel ilave güvenlik uyarıları

- ◆ **Kesme diskinizi sıkıştırmayın veya aşırı basınç uygulamayın. Çok derin kesmeye çalışmayın.** Diske aşırı yük uygulamak yüklemeyi, diskin kesim sırasında bükülme veya engellenme hassasiyetini ve geri tepme veya disk kırılması olasılığını artırır.
- ◆ **Vücudunuzu döner diskle aynı hizaya veya döner diskin arkasına konumlandırmayın.** Disk işlem sırasında sizden uzaklaşıyorsa, olası geri tepme, dönen diski ve elektrikli aleti doğrudan size doğru itebilir.
- ◆ **Disk herhangi bir nedenle kesimi engelliyor veya yarıda kesiyorsa, elektrikli aleti düğmesinden kapatın ve disk tamamen durana kadar elektrikli aleti hareket ettirmeden tutun. Disk hareket halindeyken, kesme diskinizi kesimden uzaklaştırmayı asla denemeyin, aksi takdirde geri tepme meydana gelebilir.** Diskin engellenme nedenlerini ortadan kaldırmak için inceleme yapın ve düzeltici önlemler alın.
- ◆ **İşleme tabi tutulan parça üzerinde kesme işlemine tekrar başlamayın. Diskin son hıza ulaşmasını sağlayın ve kesim yerine dikkatle tekrar girin.** Elektrikli alet işleme tabi tutulan parça içinde yeniden çalıştırılırsa disk engellenebilir, ilerleyebilir veya geri tepebilir.
- ◆ **Disk sıkışması ve geri tepmesi riskini en aza indirmek için, panelleri veya işleme tabi tutulan herhangi bir büyük boy işi destekleyin.** İşleme tabi tutulan büyük parçalar kendi ağırlıkları altında bükülme eğilimindedir. Destekler, kesme çizgisi yakınındaki işleme tabi tutulan parçanın altına ve diskin her iki yanında işleme tabi tutulan parçanın yakınına yerleştirilmelidir.

- ◆ **Var olan duvarların veya diğer kör alanların içine bir "cep kesim" yaparken aşırı özen gösterin.** Kesilen malzemedan çıkan disk, gaz veya su borularını, elektrik tesisatını veya geri tepmeye neden olabilecek nesnelere kesebilir.

Zımparalama uygulamalarına özel ilave güvenlik uyarıları

- ◆ **Çok büyük zımpara diski kullanmayın. Zımpara diski seçerken üreticinin tavsiyelerine uyun** Zımpara tabanından taşan zımpara diski paralanma tehlikesi yaratır ve takılmaya, diskin yırtılmasına ya da geri tepmeye yol açabilir.

Polisaj uygulamalarına özel ilave güvenlik uyarıları

- ◆ **Polisaj bonesinin sarkan kısımlarının ya da bağlantı iplerinin serbestçe dönmesine izin vermeyin. Sarkan bağlantı iplerini bonenin içine sokun ya da kesin.** Sarkan veya dönen bağlantı ipleri parmaklarınıza dolanabilir veya çalışma malzemesine takılabilir.
- ◆ **Çok büyük zımpara diski kullanmayın. Zımpara diski seçerken üreticinin tavsiyelerine uyun** Zımpara tabanından taşan zımpara diski paralanma tehlikesi yaratır ve takılmaya, diskin yırtılmasına ya da geri tepmeye yol açabilir.

Tel fırça uygulamalarına özel ilave güvenlik uyarıları

- ◆ **Sıradan işlemlerde bile fırçadan tel parçacıkları fırlatabileceğini unutmayın. Fırçaya aşırı yük uygulayarak telleri aşırı germeyin.** Tel parçacıkları ince giysilere ve/veya deriye kolayca nüfuz edebilir.
- ◆ **Tel fırçalama işlemi için muhafaza kullanımı tavsiye edilirse tel çanak ya da tekerlek fırçanın koruyucu ile temasına izin vermeyin.** Tekerlek ya da çanak fırça çapı çalışma yükü ve merkezkaç güçleri nedeniyle genişleyebilir.

Diğer kişilerin güvenliği

- ◆ **Bu alet fiziksel ve zihinsel kapasitesinin yanı sıra algılama gücü azalmış olan veya yeterince deneyim ve bilgisi bulunmayan kişiler (çocuklar dahil) tarafından kullanılmak üzere üretilmemiştir. Bu tür kişiler aleti ancak güvenliklerinden sorumlu bir kişi tarafından cihazın kullanımıyla ilgili talimatların verilmesi veya sürekli kontrol altında tutulması durumunda kullanabilir.**
- ◆ **Çocuklar, aletle oynamalarının önlemek amacıyla kontrol altında tutulmalıdır.**

Titreşim

Teknik veriler ve uygunluk beyanatı içerisinde belirtilen titreşim emisyon değerleri EN60745 tarafından belirlenen standart bir test yöntemine uygun olarak ölçülmektedir ve diğer bir aletle karşılaştırma yaparken kullanılabilir. Beyan edilen titreşim emisyon değeri aynı zamanda maruz kalmanın önceden değerlendirilmesinde de kullanılabilir.

Uyarı! Elektrikli aletin mevcut kullanımı sırasındaki titreşim emisyon değeri, aletin kullanım yöntemine bağlı olarak, beyan edilen değere göre farklılık sergileyebilir. Titreşim düzeyi belirlenen seviyenin üzerinde artış gösterebilir.

İşyerinde düzenli olarak elektrikli alet kullanan çalışanları korumak amacıyla 2002/44/EC tarafından getirilen elektrik güvenliği önlemlerini belirlemek üzere titreşime maruz kalmayı değerlendirirken, çalışma döngüsü içerisinde örneğin aletin kapalı olduğu ve aktif durumda olmasının yanı sıra boşta çalıştığı zamanlar gibi, bütün zaman dilimleri dahil olmak üzere mevcut kullanım durumu ve aletin kullanım şekli göz önünde bulundurularak değerlendirilmelidir.

Alet üzerindeki etiketler



Uyarı! Yaralanma riskini en aza indirmek için kullanıcı kullanım talimatlarını mutlaka okumalıdır.



Bu aleti kullanırken koruyucu gözlük kullanın.



Bu aleti kullanırken kulaklarınızı korumak için kulaklık kullanın.

Elektrik güvenliği



Bu alet çift yalıtımlıdır. Bu yüzden hiçbir topraklama kablosuna gerek yoktur. Her zaman şebeke geriliminin aletin üretim etiketinde belirlenmiş değerlere uyup uymadığını kontrol edin.

- ◆ Elektrik kablosu hasarlı ise, bir tehlike oluşmasını önlemek için üretici ya da yetkili Black & Decker Servisi tarafından değiştirilmelidir.

ÖZELLİKLER

Bu alet, aşağıdaki özelliklerin bir kısmını veya tümünü içermektedir.

1. Açma/kapama düğmesi
2. Yan kol

3. Mil kilidi
4. Muhafaza

Montaj

Uyarı! Montajdan önce aletin kapalı ve fişinin çekilmiş olduğundan emin olun.

Muhafazanın takılması ve çıkartılması (Şekil A - B)

Alet sadece taşlama amaçlı muhafaza ile donatılmıştır. Eğer alet kesme işleri için kullanılacaksa, kesmeye özel muhafaza takılmalıdır. Kesme işlerine uygun muhafaza1004484-00 parça numarası ile mevcut olup ve Black & Decker servisinden temin edilebilir.

Takılması

- ◆ Aleti, mili (5) yukarı bakacak şekilde bir masaya yerleştirin.
- ◆ Yaylı rondelayı (6) milin üzerine koyun ve destek (7) üzerine yerleştirin.
- ◆ Muhafazayı (4) gösterildiği gibi aletin üzerine yerleştirin.
- ◆ Flanşı (8), çıkıntı yapan noktalar muhafazaya bakacak şekilde milin üzerine yerleştirin. Flanştaki deliklerin vida delikleriyle aynı hizada olduğundan emin olun.
- ◆ Flanşı, vidalarla (9) sabitleyin. Vidaların iyice sıkıldığından ve muhafazanın döndürülebildiğinden emin olun.

Çıkartılması

- ◆ Vidaları (9) bir tornavida ile sökün.
 - ◆ Flanşı (8), muhafazayı (4) ve yaylı rondelayı (7) çıkartın.
- Bu parçaları dikkatli bir şekilde saklayın.

Uyarı! Aleti, kesinlikle muhafazası olmadan kullanmayın.

Yan kolun takılması

- ◆ Yan kolu (2) alettaki montaj deliklerinden birine takın.

Uyarı! Daima yan kolu kullanın.

Taşlama veya kesme disklerinin takılması ve çıkartılması (Şekil C - E)

Daima uygulamanız için doğru tipte diski kullanın. Daima doğru çap ve mil bağlantı ölçüsüne sahip diskleri kullanın (teknik verilere bakın).

Takılması

- ◆ Muhafazayı, yukarıda belirtildiği gibi takın.
- ◆ İç flanşı (10) gösterildiği gibi milin (5) üzerine yerleştirin (Şekil C). Flanşın, milin düz tarafının üzerine doğru bir şekilde yerleştirildiğinden emin olun.

- ◆ Diski (11) gösterildiği gibi milin (5) üzerine yerleştirin (Şekil C). Disk çıkıntılı bir göbeğe sahipse (12), çıkıntılı göbeğin iç flanşa baktığından emin olun.
- ◆ Diskin iç flanşın üzerine doğru yerleştirildiğinden emin olun.
- ◆ Dış flanşı (13) milin üzerine yerleştirin. Taşlama diskini takarken dış flanştaki yüksek merkez diske bakmalıdır (Şekilde D, A kısmı). Kesme diskini takarken dış flanştaki yüksek merkez diskin aksi yöne bakmalıdır (Şekilde D, B kısmı).
- ◆ Mil kilidini (3) basılı tutun ve dış flanşı çift pimli anahtarı (14) kullanarak sabitletin (şekil E).

Çıkartılması

- ◆ Mil kilidini (3) basılı tutun ve dış flanşı çift pimli anahtarı (14) kullanarak gevşetin (şekil E).
- ◆ Dış flanşı (13) ve diski (11) çıkartın.

Zımpara disklerinin takılması ve çıkartılması (şekil E - F)

Zımparalama için bir zımpara tabanı gerekmektedir. Zımpara tabanı Black & Decker satış noktalarından aksesuar olarak temin edilebilir.

Takılması

- ◆ İç flanşı (10) gösterildiği gibi milin (5) üzerine yerleştirin (Şekil F). Flanşın, milin düz tarafının üzerine doğru bir şekilde yerleştirildiğinden emin olun.
- ◆ Zımpara tabanını (15) milin üzerine yerleştirin.
- ◆ Zımpara diskini (16) zımpara tabanının üzerine yerleştirin.
- ◆ Dış flanşı (13) milin üzerine kabarık orta kısmı diskten uzağa bakacak şekilde yerleştirin.
- ◆ Mil kilidini (3) basılı tutun ve dış flanşı çift pimli anahtarı (14) kullanarak sabitletin (şekil E). Dış flanşın doğru olarak takıldığından ve diskin sıkı bir şekilde kenetlendiğinden emin olun.

Çıkartılması

- ◆ Mil kilidini (3) basılı tutun ve dış flanşı çift pimli anahtarı (14) kullanarak gevşetin (şekil E).
- ◆ Dış flanşı (13), zımpara diskini (16) ve zımpara tabanını (15) çıkartın.

Diğer tehlikeler

Aletin kullanımıyla ilgili ekte sunulan güvenlik uyarılarına dahil olmayan ilave kalıcı riskler ortaya çıkabilir. Bu riskler, hatalı, uzun süreli kullanım vb. dolayısıyla ortaya çıkabilir.

Emniyet tedbirlerini düzenleyen yönetmeliğin uygulanmasına ve emniyet sağlayıcı aygıtların kullanılmasına rağmen, başka belirli risklerden kaçınılamaz. Bunlar:

- ◆ Aletin dönen ve hareket eden parçalarına dokunma sonucu ortaya çıkan yaralanmalar.

- ◆ Herhangi bir parçayı, bıçak veya aksesuarı değiştirirken ortaya çıkan yaralanmalar.
- ◆ Aletin uzun süreli kullanılması sonucu ortaya çıkan yaralanmalar. Herhangi bir aleti uzun sürelerle kullanacaksanız düzenli olarak çalışmanıza ara verin.
- ◆ Duyma bozukluğu.
- ◆ Aleti kullanırken ortaya çıkan tozun solunması sonucu ortaya çıkan sağlık sorunları (örnek: ahşapta çalışırken, özellikle meşe, akgürgen ve MDF).

Kullanımı

Uyarı! Aletin kendi hızında çalışmasına izin verin. Aşırı yüklenmeyin.

- ◆ Kazara kesilmesini önlemek için kabloyu dikkatli bir şekilde dolaştırın.
- ◆ Taşlama veya kesme diski, üzerinde çalışılan parçaya temas ettiğinde bir kıvılcım akımına hazırlıklı olun.
- ◆ Aleti daima, siperliğin, taşlama veya kesme diskinden en uygun korunmayı sağlamasına olanak tanıyacak şekilde tutun.

Açılması ve kapatılması

- ◆ Aleti açmak için açma/kapama düğmesini (1) ileri kaydırın. Düğmeyi bıraktığınızda bile, alet çalışmaya devam edecektir.
- ◆ Kapatmak için açma/kapama düğmesinin arka kısmına basın.

Uyarı! Aleti yük altındayken kapatmayın.

En uygun kullanım için ipuçları

- ◆ Aleti tek elinizle yan kolun etrafından diğer elinizle ise ana koldan sıkı bir şekilde tutun.
- ◆ Taşlama yaparken, daima disk ile üzerinde çalıştığınız parçanın yüzeyi arasında yaklaşık 15°'lik bir açı bırakın.

Bakım

Black & Decker aletiniz minimum bakımla uzun bir süre çalışacak şekilde tasarlanmıştır. Kesintisiz olarak memnuniyet verici bir şekilde çalışması alete gerekli özenin gösterilmesine ve düzenli temizliğe bağlıdır.

Uyarı! Elektrikli/şarjlı alet üzerinde herhangi bir bakım işlemi gerçekleştirilmeden önce:

- ◆ Aleti kapatın ve fişten çekin
- ◆ Ya da aletin çıkartılabilir aküsü varsa; aleti kapatın ve aküyü aletten çıkartın.
- ◆ Ya da aletin dahili aküsü varsa, bitene kadar çalıştırın ve sonra kapatın.
- ◆ Şarj cihazını temizlemeden önce fişten çekin. Şarj cihazınız, düzenli temizlik dışında herhangi bir bakım gerektirmemektedir.

TÜRKÇE

- ◆ Aletinizdeki ve şarj cihazındaki havalandırma deliklerini yumuşak bir fırça veya kuru bir bezle düzenli olarak temizleyin.
- ◆ Motor muhafazasını düzenli olarak nemli bir bezle silin. Aşındırıcı veya çözücü bazlı temizleyiciler kullanmayın.
- ◆ Mandreni düzenli olarak tamamen açın ve içindeki tozu dökmek için hafifçe vurun (mandren alete takılıysa).

Çevrenin korunması



Ayrı olarak atın. Bu ürün, normal evsel atıklarla birlikte atılmamalıdır.

Black & Decker ürününüzün değiştirilmesi gerektiğini düşünmeniz veya artık kullanılamaz durumda olması halinde onu, evsel atıklarla birlikte atmayın. Bu ürünü, ayrı olarak toplanacak şekilde atın.



Kullanılmış ürünlerin ve ambalajların ayrı olarak toplanması bu maddelerin geri dönüşüme sokularak yeniden kullanılmasına olanak tanır. Geri dönüşümlü maddelerin tekrar kullanılması çevre kirliliğinin önlenmesine yardımcı olur ve ham madde ihtiyacını azaltır.

Yerel yönetmelikler, elektrikli ürünlerin evlerden toplanıp belediye atık tesislerine aktarılması veya yeni bir ürün satın alırken perakende satıcı tarafından toplanması yönünde hükümler içerebilir.

Black & Decker, hizmet ömrünün sonuna ulaşan Black & Decker ürünlerinin toplanması ve geri dönüşüme sokulması için bir imkan sunmaktadır. Bu hizmetin avantajlarından faydalanmak için, lütfen, ürününüzü bizim adımıza teslim alacak herhangi bir yetkili servise iade edin.

Bu kılavuzda belirtilen listeden size en yakın yetkili tamir servisinin yerini öğrenebilirsiniz. Ya da, alternatif olarak internet'ten Black & Decker yetkili tamir servislerinin listesini ve satış sonrası hizmetlerimizle ilgili tüm bilgiler ve temas bilgilerine aşağıdaki siteden ulaşabilirsiniz: www.2helpU.com

Teknik özellikleri

	AST15 TİP 3	KG725 TİP 3	KG900 TİP 3
Voltaj	VAC 230	230	230
Giriş gücü	W 900	701	900
Yüksüz hızı	dak-1 10,000	10,000	10,000
Disk çapı	mm 115	125	100
Disk deliği	mm 22	22	16
Maks.			
Disk kalınlığı			
taşlama diskleri	mm 6	6	6

kesme diskleri	mm 3.5	3.5	3.5
Mil ölçüsü	mm M14	M14	M10
Ağırlık	kg 2.1	2.1	2.1

	KG915 TİP 3	KG925 TİP 3
Voltaj	VAC 230	230
Giriş gücü	W 900	900
Yüksüz hızı	dak-1 10,000	10,000
Disk çapı	mm 115	125
Disk deliği	mm 22	22
Maks.		
Disk kalınlığı		
taşlama diskleri	mm 6	6
kesme diskleri	mm 3.5	3.5
Mil ölçüsü	mm M14	M14
Ağırlık	kg 2.1	2.1

EN 60745'e göre ses basıncı düzeyi:

Ses basıncı (L_{pA}) 91 dB(A), belirsizlik (K) 3 dB(A)
Akustik güç (L_{WA}) 102 dB(A), belirsizlik (K) 3 dB(A)

EN 60745'e göre tespit edilen toplam titreşim değerleri (üç yönün vektör toplamı):

Yüzey taşlama ($a_{h,AG}$) 7 m/s², belirsizlik (K) 1.5 m/s²
Kesme (a_n) 2.5 m/s², belirsizlik (K) 1.5 m/s²

AT Uygunluk Beyanati MAKİNE DİREKTİFİ



AST15, KG725, KG900, KG915, KG925

Black & Decker, "teknik veriler" bölümünde açıklanan bu ürünlerin
2006/42/EC, EN60745-1, EN60745-2-3

Bu ürünler ayrıca 2004/108/EC ve 2011/65/EU
Direktiflerine de uygundur.

Daha fazla bilgi için, lütfen aşağıdaki adresten
Black & Decker ile irtibata geçin veya kılavuzun
arkasına bakın.

Bu belge altında imzası bulunan yetkili, teknik
dosyanın derlenmesinden sorumludur ve bu beyanı
Black & Decker adına vermiştir.

Kevin Hewitt
Başkan Yardımcısı, Global Mühendislik
Black & Decker Europe, 210 Bath Road, Slough,
Berkshire, SL1 3YD İngiltere
23/03/2012

Garanti

Black & Decker, ürünün kalitesinden emindir ve bu yüzden kanunlarda belirtilen taleplerin üstünde bir garanti verir. Ayrıca bu garanti hiçbir şekilde garanti ile ilgili kanuni haklarınızı ihlal etmez ve haklarınızı hiç bir şekilde kısıtlamaz. İşbu garanti Avrupa Birliği'ne üye ülkeler ile Avrupa Serbest Ticaret Bölgesi sınırları dahilinde geçerlidir.

Eğer bir Black & Decker ürünü, satın alma tarihinden itibaren 24 ay içinde hatalı malzeme, işçilik ya da uygunsuzluk nedeniyle bozulursa, müşteriye mümkün olabilecek en az sorunu yaşatarak Black & Decker hatalı kısımları değiştirmeyi, adil bir şekilde aşınmış ve yıpranmış ürünleri tamir etmeyi veya değiştirmeyi garanti eder. Ancak bu belirtilenler şu durumlar dışında geçerlidir:

- ◆ Ürün ticari veya profesyonel amaçlarla kullanılmışsa veya kiraya verilmişse;
- ◆ Ürün yanlış veya amaç dışı kullanılmışsa;
- ◆ Ürün yabancı nesnelere, maddelere veya kaza sırasında zarar görmüşse;
- ◆ Yetkili tamir servisleri veya Black & Decker servis ekibinden başkası tarafından tamir edilmeye çalışılmışsa.

Garanti talebinde bulunmak için, satıcıya veya yetkili tamir servisine satın aldığınıza dair ispat sunmalısınız. Fatura ve garanti kartı gerekmektedir. Bu kılavuzda belirtilen listeden size en yakın yetkili tamir servisinin yerini öğrenebilirsiniz. Ya da, alternatif olarak internet'ten Black & Decker yetkili tamir servislerinin listesini ve satış sonrası hizmetlerimizle ilgili tüm bilgiler ve temas bilgilerine aşağıdaki siteden ulaşabilirsiniz.

www.2helpU.com

Sanayi ve Ticaret Bakanlığı tebliğince kullanım ömrü 10 yıldır.

Türkiye Distribütörü

KALE HIRDAVAT VE MAKİNA A.Ş.
Defterdar Mah. Savaklar Cad. No. 15
34050 Edirnekapı Eyüp İstanbul
Tel: (0212) 533 52 55 (Pbx)
Faks: (0212) 533 10 05
E-posta: info@kalemakina.com

Şehir	Yetkili Servis	Adres	Telefon
1 Adana	Emin Elektrik Bobinaj	Kızılay Cad. 9 Sok. No: 9/D	0322 351 80 46
2 Afyon	Emek Motor	Karaman Mah. Gazlı Göl Cad. No: 15	0272 212 11 14
3 Ağr	Tamgüç Bobinaj	Kağızman Cad. No: 42	0472 215 70 41
4 Amasya	Akotek Ticaret	Yeni yol Cad. No: 85	0358 218 71 19
5 Ankara	Orhan Bobinaj	Yalınç Sok. No: 17 Siteler	0312 350 95 29
6 Ankara	Orhan Bobinaj Şube	41. Sok. No: 39 Ostim	0312 385 92 92
7 Ankara	Yiğit Bobinaj	668. Sok. No: 8 Eminel Koop. İvedik Ostim	0312 395 05 37
8 Ankara	Başak Elektrik	Ahievran Cad. 36. sok. No: 2 Ostim	0312 386 20 84
9 Antalya	E.B.A Elektrik	San. Sit. 682. Sok No: 38	0242 345 36 22
10 Antalya	Yaşar Bobinaj	Aşağı Pazarcı Mah. San. Girişi No: 19 Manavgat	0242 742 44 07
11 Antalya	Uslu Bobinaj	G. Pınarı Mah. Oba Yolu Üzeri no: 27/C Alanya	0242 511 57 01
12 Aydın	Tacıroğlu Kaya Bobinaj	1.San. Sit. Üst San. Cad. 2. Sok. No: 31/A	0256 212 70 48
13 Aydın	Saydam Motor	Küçük San. Sit. Çubukçu Sok. No: 2/B Söke	0256 512 81 91
14 Aydın	Özgür Bobinaj	Kuşadası San. Sit. j Blok no:13 Kuşadası	0256 622 1373
15 Aydın	Ege Bobinaj	Yeni Mah Atatürk Bul. No:206/E Didim	0256 811 05 95
16 Balıkesir	Tezger Bobinaj	Yeni San. Sit. Cumhuriyet Cad. 198/A	0266 246 23 01
17 Balıkesir	Küre Bobinaj	Atatürk Cad. No: 104 Bandırma	0266 718 46 79
18 Batman	Topiz Bobinaj	Cumhuriyet Cad. 1512 Sok. No: 50	0488 214 87 70
19 Bolu	Kilitçi Ticaret	Aşağı Soku San. Sit. 37.Blok No:16	0374 215 43 64
20 Bursa	Vokart Ltd. Şti.	Gazlılar Cad. Eriklî Bahçe Sok. No: 7/B	0224 254 48 75
21 Çanakkale	Kısacık Bobinaj	Namık Kemal Mah. Kaynak Sok. No: 41	0286 217 96 71
22 Çanakkale	Ovalı Bobinaj	Hamdibey Mah. İstiklal Cad. No: 160 Biga	0286 316 49 66
23 Çorum	Emek Bobinaj	Küçük San. Sit. 23. Cad No: 5/C	0364 234 68 84
24 Denizli	Örsler Bobinaj	Sedef Çarşısı 9/10	0258 261 42 74
25 Diyarbakır	Çetsan Elektrik	San. Sit. Karakol Sok. No: 1	0412 237 29 04
26 Düzce	Yıldız Makina	Burhaniye Mah. Gen. Kazım Sok. No: 10	0380 514 70 56
27 Edirne	Efe Bobinaj	Küçük San. Sit. 22. Blok	0284 225 35 73
28 Edirne	Demir Bobinaj	San. Sit. 7. Blok No: 3 Keşan	0284 714 38 26
29 Elazığ	Kalender Elektrik Bobinaj	San. Sit. 11. Sok No: 46	0424 224 85 01
30 Erzincan	Ümit Elektrik Makina	San. Çarşısı 770 Sok. No: 71	0446 224 08 01
31 Erzurum	Bursan Bobinaj	San. Sit. 5. Blok No: 135	0442 242 77 28
32 Eskişehir	Escom Elektronik	Kırmızı Toprak Mah. Ali Fuat Güven Cad. No 31/A	0222 224 15 30
33 Gaziantep	Eser Bobinaj	K.S.S.A Blok 11. Cad.25. Ada No: 55 Ş.Kamil	0242 235 30 84
34 Gaziantep	Karşahin Bobinaj	İsmet Paşa Mah. Şenyurt Cad. No: 35	0342 231 17 33
35 Hatay	Öz Kardeş Bobinaj	Yeni San. Sit. 38/A Blok No: 34	0326 221 22 91
36 Isparta	İzmir Bobinaj	Yeni San. Sit. 6 Blok No: 28	0246 223 70 11
37 İstanbul	Akel El. Servis Hizmetleri	Nato Yolu Caddesi Özgün Sok No: 1 Y.Dudullu	0216 540 53 55
38 İstanbul	Birlik Elektromekanik	Perpa Tic. Mer. B Blok Mavi Avlu Kat.4 No: 318 Okmeydanı	0212 222 94 18
39 İstanbul	Fırat Dış Ticaret	Tersane Cad. Kuthan No: 38 Kat 3 Karaköy	0212 252 93 43
40 İstanbul	Kardeşler Bobinaj	Çağlayan Mah. Sinanpaşa Cad.No: 5 Çağlayan	0212 224 97 54
41 İstanbul	Mert Elektrik	İkitelli Org. Demirciler San. Sit. D-2 Blok No: 280 İkitelli	0212 549 65 78
42 İstanbul	Svs Teknik	İstasyon Cad. Gibtaş San. Sit. F Blok No: 24 Tuzla	0216 446 69 39
43 İstanbul	Tarık Makina	Bağdat Cad. Adalı Sok. No: 8 Maltepe	0216 441 05 59
44 İstanbul	Tekniker Bobinaj	Birlik San. Sit. 1. Cad. K.Dükkanlar No: 15 Beylikdüzü	0212 875 17 78
45 İstanbul	Orijinal Elektrik	Bağlar Mah. Mimar Sinan Cad. No:24 Güneşli	0212 515 67 71
46 İzmir	Birlik Bobinaj	2824 Sok. No: 18/1. San. Sit. Halkapınar	0232 458 39 42
47 İzmir	Boro Cıvata	1203/2 Sok. No: 21-B Yenisehir	0232 469 80 70
48 İzmir	Çetin Bobinaj	Cüneyt Bey Mah. İbrahim Turan Cad. No 98/A Menderes	0232 782 10 84
49 İzmir	Dzruk Hırdavat	1426 Sok. No: 14 Hurdacılar Sitesi Doğanlar Bornova	0232 478 14 12
50 Karaman	Özüm Elektrik Bobinaj	Yeni San. Sit. 735. Sok. No: 2	0338 212 32 69
51 Kastamonu	Teknik Bobinaj	İnönü Mah. İnebolu Cad. No: 132	0366 212 62 26
52 Kayseri	Akın Elektrik Bobinaj	Eski San. Bölgesi 5. Cad. No: 8	0352 336 41 23
53 Kırklareli	Tarık Elektronik	K.İbrahim Mah. M.Kemal Bulvarı No: 72/C	0288 214 19 72
54 Kırklareli	Yalçın Bobinaj	Yeni San. Sit. C3 Blok No:55 Lüleburgaz	0288 412 41 97
55 Kocaeli	Efe Elektrik Bobinaj	Körfez San. Sit. 12. Blok No: 13	0262 335 18 94
56 Kocaeli	Gülsoy Bobinaj	S.Orhan Mah. İlyasbey Cad.1111 Sk No: 5/1 Gebze	0262 646 92 49
57 Kocaeli	Teknik Karot	Gaziler Mah. İbrahimaga Cad. No:125 Gebze	0262 642 79 10
58 Konya	Meb. Murat Elk. Bobinaj	Karatay San. Sit. Fatih Mah. Çiçekli Sok. No: 10	0332 235 64 63
59 Konya	Sözenler Bobinaj	Fevzi Çakmak Mah. Komsan İş Merkezi Anamur 10562 Sok. No:8	0332 342 63 18
60 Kütahya	Doğan Bobinaj	Yeni San. Sit. 19. Sok: 28/1	0274 231 22 00
61 Malatya	Özer Bobinaj	Yeni San. Sit. 2. Cad. No: 95	0422 336 39 53
62 Manisa	Çavuş Bobinaj	Kurtuluş Mah. Fatih Cad. No: 44/A Soma	0236 614 13 78
63 Manisa	Uslu Bobinaj Ve Makina	Güzelyurt Mah. Kenan Evren San. Sit. 5309 Sok. No: 63/A	0236 236 33 86
64 Mersin	Şekerler Elektrik Bobinaj	Nusratiye Mah. 5005 Sok. No: 20/A	0324 336 70 98
65 Mersin	Üniversel Bobinaj	Nusratiye Mah. Çiftçiler Cad.68 Sok. No: 19	0324 233 44 29
66 Muğla	Bodrum Makina	Türkkuyusu Mah.San. Sit. Ethem Demiröz Sok. No: 8 Bodrum	0252 316 28 51
67 Muğla	General Elektrik Bobinaj	Taşyaka Mah. San. Sit. 260. Sok. No: 18 Fethiye	0252 612 38 34
68 Muğla	Başaran Teknik	Beldibi Cad. Sanayi Girişi No: 5/C Marmaris	0252 419 20 29
69 Muğla	Öztürk Bobinaj	Atakent Mah. Çevreyolu Üzeri Dalaman	0252 697 64 98
70 Nevşehir	Çiftgüç Soğutma	Yeni San. Sit. 8. Blok No: 28	0384 213 19 96
71 Niğde	Emek Motor	Eski San. Çarşısı 1.Blok No: 2	0388 232 83 59
72 Sakarya	Engin Elektrik Bobinaj	Maltepe Mah. Orhan Gazi Cad. Şehit Metin Akkuş Sok. No: 19	0264 291 05 67
73 Samsun	Akış Bobinaj	Ulus Cad.San. Sit. Keresteciler Kısmı No: 40	0362 238 07 23
74 Sivas	Bayraktar Elektrik	Yeni Çarşı No: 72/C	0346 221 47 55
75 Şanlıurfa	Ay Elektrik	Samsat Kapı Aşaroglu Garajı No: 19	0414 215 74 76
76 Tekirdağ	Birkan Teknik	Şeyhsinan Mah. Ş.Pilot İ.Aksoy Sok. Aksoy Psj. No: 207-B ÇORLU	0282 654 50 91
77 Tekirdağ	Çetin Elektrik Bobinaj	100.Yıl San. Sit. 14B Blk. No: 10	0282 263 86 60
78 Tokat	Çetin Elektrik Bobinaj	San. Sit. Camii Altı No: 22	0356 214 63 07
79 Trabzon	Akçay Bobinaj Makina	Yaylacık Mah.Tosun San Sit No: 3 Akçaabat	0462 227 54 26
80 Trabzon	Makina Market	Rize Cad. No: 71 Değirmendere	0462 328 14 80
81 Uşak	Zengin Bobinaj	İslic Mah. Ürem Sok. No: 10/C	0276 227 27 46
82 Van	Özen Elektrik Bobinaj	Alçekiç Pasajı No: 41	0432 214 22 20
83 Yalova	Deniz El. Ser. Hizmetleri	Hürriyet Mah. Eski Bursa Cad. No: 39 Altınova	0226 461 22 43
84 Zonguldak	Genel Elektromotor	Çınar-tepe Mah.T.T.K 69 Ambarları 4. Kısım	0372 268 08 64
85 Zonguldak	Tümen Makina	Kışla Sanayi Sit. D Blok No: 17 Kdz.Ereğli	0372 323 74 97

Partial support - Only parts shown available
Nur die aufgeführten teile sind lieferbar
Reparation partielle - Seules les pieces indiquees sont disponibles
Supporto parziale - Sono disponibili soltanto le parti evidenziate
Solo estan disponibles las peizas listadas
So se encontram disponiveis as pecas listadas
Gedeeltelijke ondersteuning - alleen de getoonde onderdelen
zijn beschikbaar

