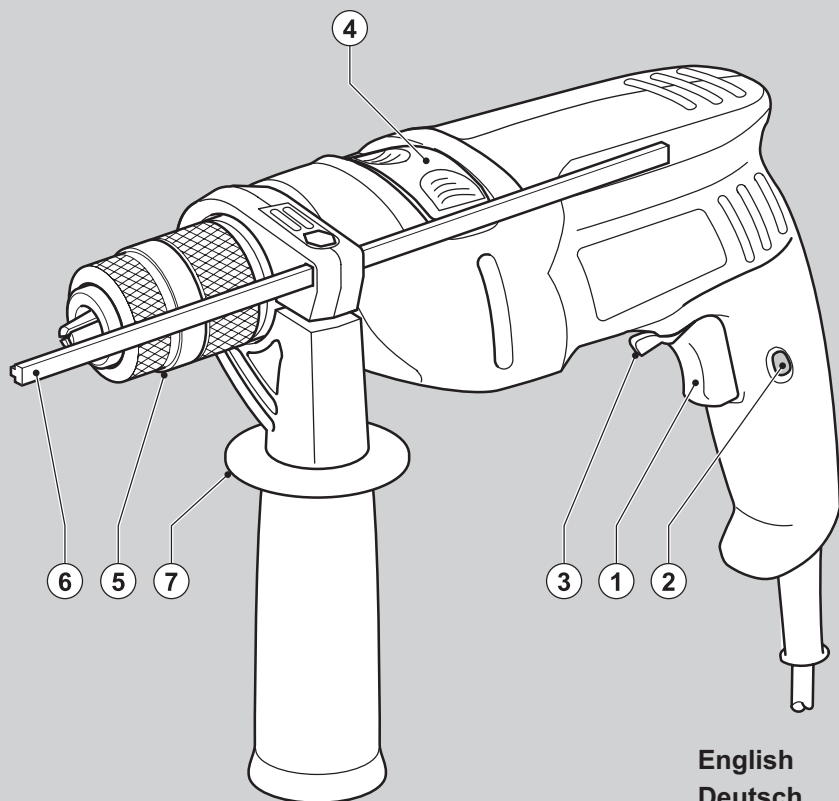


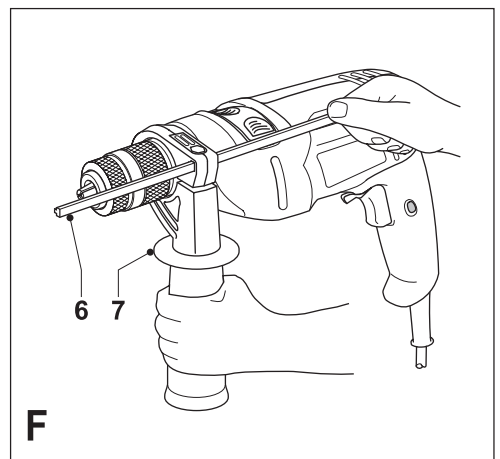
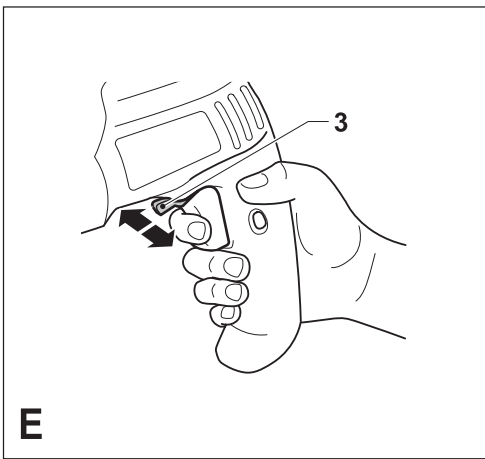
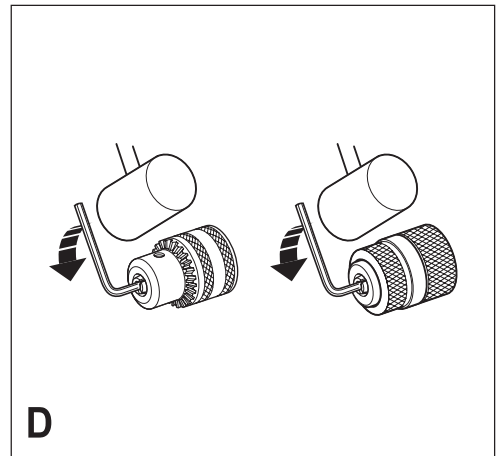
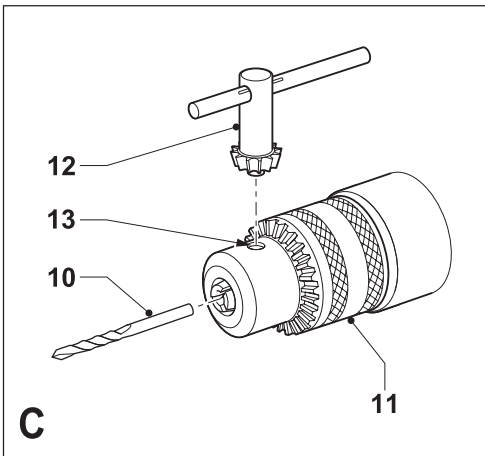
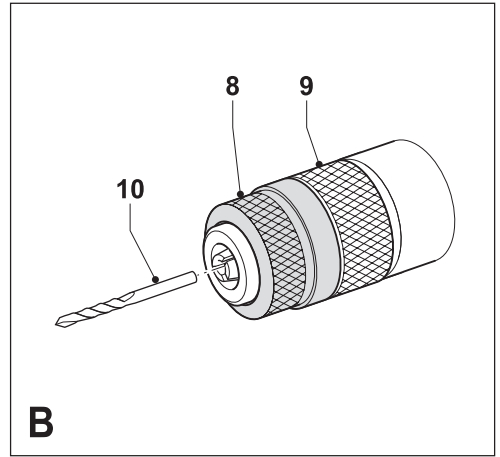
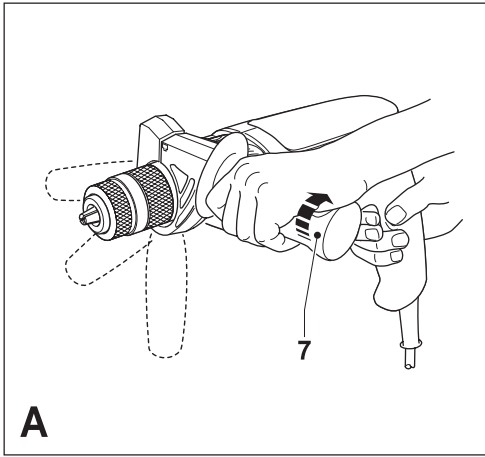


BLACK & DECKER®

www.blackanddecker.com



English	3
Deutsch	8
Français	13
Čeština	18
Magyar	23
Polski	29
Slovenčina	35
Русский язык	40
Українська	47
Türkçe	53



Intended use

Your Black & Decker hammer drill has been designed for drilling in wood, metal, plastics, and masonry as well as for screwdriving purposes. This tool is intended for consumer use only.

General safety rules

Warning! Read all instructions. Failure to follow all instructions listed below may result in electric shock, fire and/or serious injury. The term “power tool” in all of the warnings listed below refers to your mains operated (corded) power tool or battery operated (cordless) power tool. **SAVE THESE INSTRUCTIONS.**

1. Work area

- a. **Keep work area clean and well lit.** Cluttered and dark areas invite accidents.
- b. **Do not operate power tools in explosive atmospheres, such as in the presence of flammable liquids, gases or dust.** Power tools create sparks which may ignite the dust or fumes.
- c. **Keep children and bystanders away while operating a power tool.** Distractions can cause you to lose control.

2. Electrical safety

- a. **Power tool plugs must match the outlet. Never modify the plug in any way. Do not use any adapter plugs with earthed (grounded) power tools.** Unmodified plugs and matching outlets will reduce risk of electric shock.
- b. **Avoid body contact with earthed or grounded surfaces such as pipes, radiators, ranges and refrigerators.** There is an increased risk of electric shock if your body is earthed or grounded.
- c. **Do not expose power tools to rain or wet conditions.** Water entering a power tool will increase the risk of electric shock.
- d. **Do not abuse the cord. Never use the cord for carrying, pulling or unplugging the power tool. Keep cord away from heat, oil, sharp edges or moving parts.** Damaged or entangled cords increase the risk of electric shock.
- e. **When operating a power tool outdoors, use an extension cord suitable for outdoor use.** Use of a cord suitable for outdoor use reduces the risk of electric shock.

3. Personal safety

- a. **Stay alert, watch what you are doing and use common sense when operating a power tool. Do not use a power tool while you are tired or under the influence of drugs, alcohol or medication.** A moment of inattention while operating power tools may result in serious personal injury.
 - b. **Use safety equipment. Always wear eye protection.** Safety equipment such as dust mask, non-skid safety shoes, hard hat, or hearing protection used for appropriate conditions will reduce personal injuries.
 - c. **Avoid accidental starting. Ensure the switch is in the off position before plugging in.** Carrying power tools with your finger on the switch or plugging in power tools that have the switch on invites accidents.
 - d. **Remove any adjusting key or wrench before turning the power tool on.** A wrench or a key left attached to a rotating part of the power tool may result in personal injury.
 - e. **Do not overreach. Keep proper footing and balance at all times.** This enables better control of the power tool in unexpected situations.
 - f. **Dress properly. Do not wear loose clothing or jewellery. Keep your hair, clothing and gloves away from moving parts.** Loose clothes, jewellery or long hair can be caught in moving parts.
 - g. **If devices are provided for the connection of dust extraction and collection facilities, ensure these are connected and properly used.** Use of these devices can reduce dust related hazards.
- ### 4. Power tool use and care
- a. **Do not force the power tool. Use the correct power tool for your application.** The correct power tool will do the job better and safer at the rate for which it was designed.
 - b. **Do not use the power tool if the switch does not turn it on and off.** Any power tool that cannot be controlled with the switch is dangerous and must be repaired.
 - c. **Disconnect the plug from the power source before making any adjustments, changing accessories, or storing power tools.** Such preventive safety measures reduce the risk of starting the power tool accidentally.

- d. **Store idle power tools out of the reach of children and do not allow persons unfamiliar with the power tool or these instructions to operate the power tool.** Power tools are dangerous in the hands of untrained users.
- e. **Maintain power tools. Check for misalignment or binding of moving parts, breakage of parts and any other condition that may affect the power tools operation. If damaged, have the power tool repaired before use.** Many accidents are caused by poorly maintained power tools.
- f. **Keep cutting tools sharp and clean.** Properly maintained cutting tools with sharp cutting edges are less likely to bind and are easier to control.
- g. **Use the power tool, accessories and tool bits etc., in accordance with these instructions and in the manner intended for the particular type of power tool, taking into account the working conditions and the work to be performed.** Use of the power tool for operations different from those intended could result in a hazardous situation.
5. **Service**
- a. **Have your power tool serviced by a qualified repair person using only identical replacement parts.** This will ensure that the safety of the power tool is maintained.

Additional safety instructions for impact drills

- **Wear ear protectors with impact drills.** Exposure to noise can cause hearing loss.
- **Use auxiliary handles supplied with the tool.** Loss of control can cause personal injury.
- **Hold power tool by insulated gripping surfaces when performing an operation where the cutting tool may contact hidden wiring or its own cord.** Contact with a “live” wire will also make exposed metal parts of the power tool “live” and shock the operator.
- **Use clamps or another practical way to secure and support the workpiece to a stable platform.** Holding the work by hand or against your body leaves it unstable and may lead to loss of control.
- Before drilling into walls, floors or ceilings check for the location of wiring and pipes.
- Avoid touching the tip of a drill bit just after drilling, as it may be hot.

Electrical safety



This tool is double insulated; therefore no earth wire is required. Always check that the power supply corresponds to the voltage on the rating plate.

- This appliance is not intended for use by young or infirm persons without supervision. Children must be supervised to ensure they do not play with the appliance.
- If the supply cord is damaged, it must be replaced by the manufacturer or an authorised Black & Decker Service Centre in order to avoid a hazard.

Features

This tool includes some or all of the following features.

1. Variable speed switch
2. Lock-on button
3. Forward/reverse slider
4. Drilling mode selector
5. Chuck
6. Depth stop
7. Side handle

Assembly

Warning! Before assembly, make sure that the tool is switched off and unplugged.

Fitting the side handle and depth stop (fig. A)

- Turn the grip counterclockwise until you can slide the side handle (7) onto the front of the tool as shown.
- Rotate the side handle into the desired position.
- Insert the depth stop (6) into the mounting hole as shown.
- Set the drilling depth as described below.
- Tighten the side handle by turning the grip clockwise.

Fitting a drill bit or screwdriver bit

Keyless chuck (fig. B)

- Open the chuck by turning the front part (8) with one hand while holding the rear part (9) with the other.
- Insert the bit shaft (10) into the chuck and firmly tighten the chuck.

Keyed chuck (fig. C)

- Open the chuck by turning the sleeve (11) counterclockwise.
- Insert the bit shaft (10) into the chuck.

- Insert the chuck key (12) into each hole (13) in the side of the chuck and turn clockwise until tight.

Removing and refitting the chuck (fig. D)

- Open the chuck as far as possible.
- Remove the chuck retaining screw, located in the chuck, by turning it clockwise using a screwdriver.
- Tighten an Allen key into the chuck and strike it with a hammer as shown.
- Remove the Allen key.
- Remove the chuck by turning it counterclockwise.
- To refit the chuck, screw it onto the spindle and secure it with the chuck retaining screw.

Use

Warning! Let the tool work at its own pace. Do not overload.

Warning! Before drilling into walls, floors or ceilings, check for the location of wiring and pipes.

Selecting the direction of rotation (fig. E)

For drilling and for tightening screws, use forward (clockwise) rotation. For loosening screws or removing a jammed drill bit, use reverse (counterclockwise) rotation.

- To select forward rotation, push the forward/reverse slider (3) to the centre position.
- To select reverse rotation, push the forward/reverse slider to the left.

Warning! Never change the direction of rotation while the motor is running.

Selecting the drilling mode

- For drilling in masonry, set the drilling mode selector (4) to the **T** position.
- For drilling in other materials and for screwdriving, set the drilling mode selector to the **1** position.

Setting the drilling depth (fig. F)

- Slacken the side handle (7) by turning the grip counterclockwise.
- Set the depth stop (6) to the desired position. The maximum drilling depth is equal to the distance between the tip of the drill bit and the front end of the depth stop.
- Tighten the side handle by turning the grip clockwise.

Switching on and off

- To switch the tool on, press the variable speed switch (1). The tool speed depends on how far you press the switch. As a general rule, use low speeds for large diameter drill bits and high speeds for smaller diameter drill bits.
- For continuous operation, press the lock-on button (2) and release the variable speed switch. This option is available only at full speed. This option does not work in reverse rotation.
- To switch the tool off, release the variable speed switch. To switch the tool off when in continuous operation, press the variable speed switch once more and release it.

Accessories

The performance of your tool depends on the accessory used. Black & Decker and Piranha accessories are engineered to high quality standards and designed to enhance the performance of your tool. By using these accessories you will get the very best from your tool.

Maintenance

Your tool has been designed to operate over a long period of time with a minimum of maintenance. Continuous satisfactory operation depends upon proper tool care and regular cleaning.

Warning! Before performing any maintenance, switch off and unplug the tool.

- Regularly clean the ventilation slots in your tool using a soft brush or dry cloth.
- Regularly clean the motor housing using a damp cloth. Do not use any abrasive or solvent-based cleaner.

Mains plug replacement (U.K. & Ireland only)

If a new mains plug needs to be fitted:

- Safely dispose of the old plug.
- Connect the brown lead to the live terminal in the new plug.
- Connect the blue lead to the neutral terminal.

Warning! No connection is to be made to the earth terminal. Follow the fitting instructions supplied with good quality plugs. Recommended fuse: 5 A.

Protecting the environment



Separate collection. This product must not be disposed of with normal household waste.

Should you find one day that your Black & Decker product needs replacement, or if it is of no further use to you, do not dispose of it with household waste. Make this product available for separate collection.



Separate collection of used products and packaging allows materials to be recycled and used again. Re-use of recycled materials helps prevent environmental pollution and reduces the demand for raw materials.

Local regulations may provide for separate collection of electrical products from the household, at municipal waste sites or by the retailer when you purchase a new product.

Black & Decker provides a facility for the collection and recycling of Black & Decker products once they have reached the end of their working life. To take advantage of this service please return your product to any authorised repair agent who will collect them on our behalf.

You can check the location of your nearest authorised repair agent by contacting your local Black & Decker office at the address indicated in this manual. Alternatively, a list of authorised Black & Decker repair agents and full details of our after-sales service and contacts are available on the Internet at: www.2helpU.com

Technical data

		KR50RE	KR50CRE	AST1XC
Input voltage	V_{AC}	230	230	230
Power input	W	500	500	500
No-load speed	min^{-1}	0-2,800	0-2,800	0-2,800
Max drilling capacity				
Steel/concrete	mm	13	13	13
Wood	mm	20	20	20
Weight	kg	1.9	1.9	1.9

		KR52CRE	KR53CRE	KR55CRE
Input voltage	V_{AC}	230	230	230
Power input	W	500	550	550
No-load speed	min^{-1}	0-2,800	0-2,800	0-2,800
Max drilling capacity				
Steel/concrete	mm	13	13	13
Wood	mm	20	20	20
Weight	kg	1.9	1.9	1.9

EC declaration of conformity

KR50RE/KR50CRE/AST1XC/KR52CRE/
KR53CRE/KR55CRE

Black & Decker declares that these products conform to: 98/37/EC, 89/336/EEC, EN 55014, EN 60745, EN 61000

L_{PA} (sound pressure) 99 dB(A),
 L_{WA} (acoustic power) 110 dB(A),
hand/arm weighted vibration 13,8 m/s^2

K_{PA} (sound pressure uncertainty) 3 dB(A),
 K_{WA} (acoustic power uncertainty) 3 dB(A)

Kevin Hewitt
Director of Consumer
Engineering
Spennymoor, County Durham DL16 6JG,
United Kingdom
1-5-2006

Guarantee

Black & Decker is confident of the quality of its products and offers an outstanding guarantee. This guarantee statement is in addition to and in no way prejudices your statutory rights. The guarantee is valid within the territories of the Member States of the European Union and the European Free Trade Area.

If a Black & Decker product becomes defective due to faulty materials, workmanship or lack of conformity, within 24 months from the date of purchase, Black & Decker guarantees to replace defective parts, repair products subjected to fair wear and tear or replace such products to ensure minimum inconvenience to the customer unless:

- The product has been used for trade, professional or hire purposes;
- The product has been subjected to misuse or neglect;
- The product has sustained damage through foreign objects, substances or accidents;
- Repairs have been attempted by persons other than authorised repair agents or Black & Decker service staff.

To claim on the guarantee, you will need to submit proof of purchase to the seller or an authorised repair agent. You can check the location of your nearest authorised repair agent by contacting your local Black & Decker office at the address

indicated in this manual. Alternatively, a list of authorised Black & Decker repair agents and full details of our after-sales service and contacts are available on the Internet at: **www.2helpU.com**

Please visit our website

www.blackanddecker.co.uk to register your new Black & Decker product and to be kept up to date on new products and special offers. Further information on the Black & Decker brand and our range of products is available at

www.blackanddecker.co.uk

Bestimmungsgemäße Verwendung

Ihre Black & Decker Schlagbohrmaschine wurde zum Bohren in Holz, Metall, Kunststoff und Mauerwerk sowie zum Schrauben entwickelt. Dieses Gerät ist nicht für den gewerblichen Einsatz vorgesehen.

Allgemeine Sicherheitsregeln

Achtung! Sämtliche Anweisungen sind zu lesen. Die Nichteinhaltung der nachstehend aufgeführten Anweisungen kann elektrischen Schlag, Brand und/oder schwere Verletzungen verursachen. Der nachfolgend verwendete Begriff "Gerät" bezieht sich auf netzbetriebene Geräte (mit Netzkabel) und auf akkubetriebene Geräte (ohne Netzkabel).
BEWAHREN SIE DIESE ANWEISUNGEN AUF.

1. Arbeitsbereich

- a. **Halten Sie Ihren Arbeitsbereich sauber und gut ausgeleuchtet.** Unordnung und dunkle Arbeitsbereiche können zu Unfällen führen.
- b. **Arbeiten Sie mit Geräten nicht in explosionsgefährdeter Umgebung, in der sich brennbare Flüssigkeiten, Gase oder Stäube befinden.** Geräte erzeugen Funken, die den Staub oder die Dämpfe entzünden können.
- c. **Halten Sie Kinder und andere Personen während der Benutzung des Gerätes fern.** Bei Ablenkung können Sie die Kontrolle verlieren.

2. Elektrische Sicherheit

- a. **Der Anschlußstecker des Gerätes muß in die Steckdose passen. Der Stecker darf in keiner Weise verändert werden. Verwenden Sie keine Adapterstecker gemeinsam mit schutzgeerdeten Geräten.** Unveränderte Stecker und passende Steckdosen verringern das Risiko eines elektrischen Schlages.
- b. **Vermeiden Sie Körperkontakt mit geerdeten Oberflächen von Rohren, Heizungen, Herden und Kühlschränken.** Es besteht ein erhöhtes Risiko eines elektrischen Schlags, wenn Ihr Körper geerdet ist.
- c. **Halten Sie Geräte von Regen und Nässe fern.** Das Eindringen von Wasser in ein Gerät erhöht das Risiko eines elektrischen Schlages.
- d. **Missbrauchen Sie nicht das Kabel. Verwenden Sie das Kabel niemals zum Tragen, Ziehen oder Trennen des Gerätes vom Netz. Halten Sie das Kabel fern von Hitze, Öl, scharfen Kanten oder sich**

bewegenden Teilen. Beschädigte oder verwickelte Kabel erhöhen das Risiko eines elektrischen Schlages.

- e. **Wenn Sie mit einem Gerät im Freien arbeiten, verwenden Sie nur Verlängerungskabel, die auch für den Außenbereich zugelassen sind.** Die Verwendung eines für den Außenbereich geeigneten Verlängerungskabels verringert das Risiko eines elektrischen Schlages.
- ### 3. Sicherheit von Personen
- a. **Seien Sie aufmerksam, achten Sie darauf, was Sie tun, und gehen Sie vernünftig mit einem Gerät um. Benutzen Sie das Gerät nicht, wenn Sie müde sind oder unter dem Einfluß von Drogen, Alkohol oder Medikamenten stehen.** Ein Moment der Unachtsamkeit beim Gebrauch von Geräten kann zu ernsthaften Verletzungen führen.
 - b. **Verwenden Sie Schutzausrüstung. Tragen Sie stets einen Augenschutz.** Schutzausrüstung wie Staubmaske, rutschfeste Sicherheitsschuhe, Schutzhelm oder Gehörschutz, je nach Art und Einsatz des Gerätes, verringert das Risiko von Verletzungen.
 - c. **Vermeiden Sie eine unbeabsichtigte Inbetriebnahme. Stellen Sie sicher, daß sich der Schalter in der Aus-Stellung befindet, bevor das Gerät mit dem Netz verbunden wird.** Durch das Tragen des Gerätes mit dem Finger am Schalter oder durch das Verbinden eingeschalteter Geräte werden Unfälle provoziert.
 - d. **Entfernen Sie Einstellgeräte oder Schraubenschlüssel, bevor Sie das Gerät einschalten.** Ein Gerät oder Schlüssel, der sich in einem drehenden Teil befindet, kann zu Verletzungen führen.
 - e. **Nicht zu weit nach vorne strecken! Achten Sie auf einen sicheren Stand, um in jeder Arbeitsposition das Gleichgewicht zu halten.** Dadurch können Sie das Gerät in unerwarteten Situationen besser unter Kontrolle halten.
 - f. **Tragen Sie geeignete Kleidung. Tragen Sie keine weite Kleidung oder Schmuck. Halten Sie Haare, Kleidung und Handschuhe fern von sich bewegenden Teilen.** Lockere Kleidung, Schmuck oder lange Haare können von sich bewegenden Teilen erfaßt werden.

g. Falls Staubabsaug- und -auffangvorrichtungen vorhanden sind, vergewissern Sie sich, daß diese angeschlossen sind und richtig verwendet werden. Das Verwenden dieser Einrichtungen verringert Gefährdungen durch Staub.

4. Gebrauch und Pflege von Geräten

- a. Überlasten Sie das Gerät nicht. Verwenden Sie für Ihre Arbeit das dafür bestimmte Gerät.** Mit dem passenden Gerät arbeiten Sie besser und sicherer im angegebenen Leistungsbereich.
- b. Benutzen Sie kein Gerät, dessen Schalter defekt ist.** Ein Gerät, das sich nicht mehr ein- oder ausschalten läßt, ist gefährlich und muß repariert werden.
- c. Ziehen Sie den Stecker aus der Steckdose, bevor Sie Einstellungen vornehmen, Zubehörteile wechseln oder das Gerät weglegen.** Diese Vorsichtsmaßnahme verhindert den unbeabsichtigten Start des Gerätes.
- d. Bewahren Sie unbenutzte Geräte außerhalb der Reichweite von Kindern auf. Lassen Sie Geräte nicht von Personen benutzen, die damit nicht vertraut sind oder diese Anweisungen nicht gelesen haben.** Geräte sind gefährlich, wenn Sie von unerfahrenen Personen benutzt werden.
- e. Halten Sie Geräte in einem einwandfreien Zustand. Kontrollieren Sie, ob bewegliche Teile falsch ausgerichtet sind oder klemmen und ob Teile gebrochen oder so beschädigt sind, daß die Funktion des Gerätes beeinträchtigt ist. Lassen Sie beschädigte Geräte vor dem Gebrauch reparieren.** Viele Unfälle haben ihre Ursache in schlecht gewarteten Geräten.
- f. Halten Sie Schneidgeräte scharf und sauber.** Sorgfältig gepflegte Schneidgeräte mit scharfen Schneidkanten verklemmen sich weniger und sind leichter zu führen.
- g. Verwenden Sie Gerät, Zubehör, Einsatz-Bits, usw. entsprechend diesen Anweisungen und so, wie es für diesen speziellen Gerätetyp vorgeschrieben ist. Berücksichtigen Sie dabei die Arbeitsbedingungen und die auszuführende Arbeit.** Der Gebrauch von Geräten für andere als die vorgesehenen Anwendungen kann zu gefährlichen Situationen führen.

5. Service

- a. Lassen Sie Ihr Gerät nur von qualifiziertem Fachpersonal und nur mit Original-Ersatzteilen reparieren.** Damit wird gewährleistet, daß die Sicherheit des Gerätes erhalten bleibt.

Zusätzliche Sicherheitsanweisungen für Schlagbohrer

- **Tragen Sie bei Schlagbohrmaschinen einen Gehörschutz.** Lärm kann Gehörschäden verursachen.
- **Verwenden Sie die im Lieferumfang des Werkzeugs enthaltenen Zusatzhandgriffe.** Ein Kontrollverlust kann Personenverletzungen verursachen.
- **Halten Sie das Elektrowerkzeug an den isolierten Griffflächen, wenn Arbeiten durchgeführt werden, bei denen das Schneidwerkzeug versteckte Leitungen oder die eigene Anschlußleitung berühren könnte.** Ein Kontakt mit einer spannungsführenden Leitung setzt auch die freiliegenden Metallteile des Elektrowerkzeugs unter Spannung und der Benutzer erleidet einen Stromschlag.
- **Verwenden Sie Zwingen oder sichern und stützen Sie das Werkstück auf andere Weise auf einer stabilen Plattform.** Falls Sie das Werkstück mit den Händen oder gegen Ihren Körper halten, bleibt es instabil und Sie können die Kontrolle verlieren.
- Informieren Sie sich vor dem Bohren in Wände, Böden und Decken über den genauen Verlauf von Leitungen und Rohren.
- Vermeiden Sie eine Berührung der Spitze eines Bohrers kurz nach dem Bohren, da sie heiß sein kann.

Elektrische Sicherheit



Dieses Gerät ist schutzisoliert, daher ist keine Erdleitung erforderlich. Überprüfen Sie immer, ob die Netzspannung der auf dem Typenschild des Geräts angegebenen Spannung entspricht.

- Dieses Gerät darf ohne Aufsicht nicht von jungen oder schwachen Personen verwendet werden. Kinder müssen beaufsichtigt werden, um sicherzustellen, daß sie nicht mit dem Gerät spielen.
- Falls das Netzkabel beschädigt ist, so ist es vom Hersteller oder einem autorisierten

Black & Decker Service Center auszutauschen, um Gefahren vorzubeugen.

Merkmale

Dieses Gerät weist einige oder alle der folgenden Merkmale auf.

1. Drehzahl-Regelschalter
2. Ausschaltsperr
3. Rechts-/Linkslaufschalter
4. Betriebsartenschalter
5. Bohrfutter
6. Tiefenanschlag
7. Seitenhandgriff

Montage

Achtung! Vergewissern Sie sich vor der Montage, daß das Gerät ausgeschaltet ist und daß der Netzstecker gezogen wurde.

Anbringen des Seitenhandgriffs und des Tiefenanschlags (Abb. A)

- Drehen Sie den Griff gegen den Uhrzeigersinn, bis der Seitenhandgriff (7) wie angegeben vorne auf das Gerät geschoben werden kann.
- Drehen Sie den Seitenhandgriff in die gewünschte Stellung.
- Setzen Sie den Tiefenanschlag (6) wie angegeben in die Befestigungsöffnung ein.
- Stellen Sie die Bohrtiefe wie unten angegeben ein.
- Ziehen Sie den Seitenhandgriff an, indem Sie ihn im Uhrzeigersinn drehen.

Einsetzen eines Bohrers bzw. einer Schrauberklinge

Schnellspannbohrfutter (Abb. B)

- Öffnen Sie das Bohrfutter, indem Sie den vorderen Teil (8) mit der einen Hand aufdrehen, während Sie den hinteren Teil (9) mit der anderen Hand festhalten.
- Setzen Sie den Schaft (10) des Bohrers bzw. der Schrauberklinge in das Bohrfutter, und ziehen Sie das Bohrfutter fest an.

Zahnkranzbohrfutter (Abb. C)

- Öffnen Sie das Bohrfutter durch Drehen des Spannrings (11) entgegen dem Uhrzeigersinn.
- Stecken Sie den Werkzeugschaft (10) in das Bohrfutter.
- Stecken Sie den Bohrfutterschlüssel (12) in eines der seitlichen Löcher (13) des Bohrfutters und drehen Sie es fest im Uhrzeigersinn.

Entfernen und Anbringen des Bohrfutters (Abb. D)

- Öffnen Sie das Bohrfutter vollständig.
- Entfernen Sie die Bohrfutter-Sicherungsschraube, die sich im Bohrfutter befindet, indem Sie sie mit einem Schraubendreher im Uhrzeigersinn drehen.
- Spannen Sie einen Innensechskantschlüssel in das Bohrfutter ein, und schlagen Sie wie angegeben mit einem Hammer auf den Innensechskantschlüssel.
- Entfernen Sie den Innensechskantschlüssel.
- Entfernen Sie das Bohrfutter, indem Sie es gegen den Uhrzeigersinn drehen.
- Um das Bohrfutter wieder anzubringen, schrauben Sie es auf die Spindel, und sichern Sie es mit der Bohrfutter-Sicherungsschraube.

Gebrauch

Achtung! Beschleunigen Sie den Arbeitsvorgang nicht mit Gewalt. Vermeiden Sie eine Überlastung des Gerätes.

Achtung! Informieren Sie sich vor dem Bohren in Wände, Böden und Decken über den genauen Verlauf von Leitungen und Rohren.

Wahl der Drehrichtung (Abb. E)

Zum Bohren sowie zum Eindrehen von Schrauben verwenden Sie den Rechtslauf (im Uhrzeigersinn). Zum Lösen von Schrauben sowie zum Lösen eines festsitzenden Bohrers verwenden Sie den Linkslauf (gegen den Uhrzeigersinn).

- Für Rechtslauf drücken Sie den Rechts-/Linkslaufschalter (3) in die mittlere Stellung.
- Für Linkslauf drücken Sie den Rechts-/Linkslaufschalter nach links.

Achtung! Ändern Sie niemals die Laufrichtung, während der Motor läuft.

Wahl der Betriebsart

- Um in Mauerwerk zu bohren, stellen Sie den Betriebsartenschalter (4) in die Position **T**.
- Um in andere Materialien zu bohren sowie zum Schrauben, stellen Sie den Betriebsartenschalter in die Position **A**.

Einstellen der Bohrtiefe (Abb. F)

- Lockern Sie den Seitenhandgriff (7), indem Sie ihn gegen den Uhrzeigersinn drehen.
- Stellen Sie den Tiefenanschlag (6) auf die gewünschte Position ein. Die maximale Bohrtiefe ist der Abstand zwischen der Spitze

des Bohrers und dem vorderen Ende des Tiefenanschlags.

- Ziehen Sie den Seitenhandgriff an, indem Sie ihn im Uhrzeigersinn drehen.

Ein- und Ausschalten

- Um das Gerät einzuschalten, drücken Sie auf den Drehzahl-Regelschalter (1). Je tiefer Sie den Schalter drücken, umso höher ist die Drehzahl des Geräts. Im Allgemeinen sollten für Bohrer mit großen Durchmessern niedrige Drehzahlen und für Bohrer mit kleineren Durchmessern hohe Drehzahlen verwendet werden.
- Drücken Sie für Dauerbetrieb die Ausschaltsperr (2). Sie können nun den Drehzahl-Regelschalter loslassen. Diese Möglichkeit besteht nur bei voller Drehzahl. Bei Linkslauf arbeitet diese Option nicht.
- Um das Gerät auszuschalten, lassen Sie den Geschwindigkeitsregelschalter los. Ausschalten im Dauerbetrieb: drücken Sie den Drehzahl-Regelschalter erneut, und lassen Sie ihn wieder los.

Zubehör

Die Leistung Ihres Geräts hängt vom verwendeten Zubehör ab. Black & Decker und Piranha Zubehör ist nach hohen Qualitätsnormen gefertigt und dafür ausgelegt, die Leistung Ihres Geräts zu steigern. Durch Verwendung dieses Zubehörs erzielen Sie die größtmögliche Leistung Ihres Geräts.

Wartung

Ihr Gerät wurde für eine lange Lebensdauer und einen möglichst geringen Wartungsaufwand entwickelt. Ein dauerhafter, einwandfreier Betrieb setzt eine regelmäßige Pflege und Reinigung voraus.

Achtung! Bevor Sie irgendwelche Wartungsarbeiten vornehmen, schalten Sie das Gerät aus, und ziehen Sie den Netzstecker.

- Reinigen Sie regelmäßig die Lüftungsschlitze im Gerät mit Hilfe einer weichen Bürste oder eines trockenen Tuches.
- Reinigen Sie regelmäßig das Motorgehäuse mit Hilfe eines feuchten Tuches. Verwenden Sie keine scheuernden Reinigungsmittel oder Reinigungsmittel auf Lösungsmittelbasis.

Umweltschutz



Getrennte Entsorgung. Dieses Produkt darf nicht über den normalen Hausmüll entsorgt werden.

Sollte Ihr Black & Decker Produkt eines Tages erneuert werden müssen, oder falls Sie es nicht weiter verwenden wollen, so darf es nicht über den Hausmüll entsorgt werden. Stellen Sie dieses Produkt zur getrennten Entsorgung bereit.



Durch die getrennte Entsorgung gebrauchter Produkte und Verpackungen können die Materialien recycelt und wiederverwertet werden. Die Wiederverwertung recycelter Materialien schont die Umwelt und verringert die Nachfrage nach Rohstoffen.

Die regionalen Bestimmungen schreiben unter Umständen die getrennte Entsorgung elektrischer Produkte aus dem Haushalt an Sammelstellen oder seitens des Händlers vor, bei dem Sie das neue Produkt erworben haben.

Black & Decker nimmt Ihre ausgedienten Black & Decker Geräte gern zurück und sorgt für eine umweltfreundliche Entsorgung und Wiederverwertung. Um diesen Dienst zu nutzen, schicken Sie bitte Ihr Produkt zu einer Vertragswerkstatt. Hier wird es dann auf unsere Kosten gesammelt.

Die Adresse der zuständigen Black & Decker Vertretung steht in diesem Handbuch, darüber läßt sich die nächstgelegene Vertragswerkstatt ermitteln. Außerdem ist eine Liste der Vertragswerkstätten und aller Kundendienststellen von Black & Decker sowie der zuständigen Ansprechpartner im Internet zu finden unter: www.2helpU.com

Technische Daten

		KR50RE	KR50CRE	AST1XC
Spannung	V _{AC}	230	230	230
Leistungs- aufnahme	W	500	500	500
Leerlaufdreh- zahl	min ⁻¹	0-2.800	0-2.800	0-2.800
Max. Bohrkapazität				
Stahl/Beton	mm	13	13	13
Holz	mm	20	20	20
Gewicht	kg	1,9	1,9	1,9

		KR52CRE	KR53CRE	KR55CRE
Spannung	V _{AC}	230	230	230
Leistungs- aufnahme	W	500	550	550
Leerlaufdreh- zahl	min ⁻¹	0-2.800	0-2.800	0-2.800
Max. Bohrkapazität				
Stahl/Beton	mm	13	13	13
Holz	mm	20	20	20
Gewicht	kg	1,9	1,9	1,9

- wenn das Gerät gewerblich, beruflich oder im Verleihgeschäft benutzt wurde;
- wenn das Gerät mißbräuchlich verwendet oder mit mangelnder Sorgfalt behandelt wurde;
- wenn das Gerät durch irgendwelche Fremdeinwirkung beschädigt wurde;
- wenn ein unbefugter Reparaturversuch durch anderes Personal als das einer Vertragswerkstatt oder des Black & Decker-Kundendienstes unternommen wurde.

EG-Konformitätserklärung

KR50RE/KR50CRE/AST1XC/KR52CRE/
KR53CRE/KR55CRE

Black & Decker erklärt, daß diese Produkte folgende Konformität erfüllen: 98/37/EWG, 89/336/EWG, EN 55014, EN 60745, EN 61000

L_{PA} (Schalldruck) 99 dB(A),
L_{WA} (Schalleistung) 110 dB(A),
gewichtete Hand-/Armvibrationen 13,8 m/s²

K_{PA} (Schalldruck-Unsicherheitsfaktor) 3 dB(A),
K_{WA} (Schalleistungs-Unsicherheitsfaktor) 3 dB(A)



Kevin Hewitt
Director of Consumer
Engineering
Spennymoor, County Durham DL16 6JG,
Vereinigtes Königreich
1-5-2006

Zur Inanspruchnahme dieser Garantie ist dem Verkäufer bzw. der Vertragswerkstatt ein Kaufnachweis vorzulegen. Der Kaufnachweis muß Kaufdatum und Gerätetyp bescheinigen. Die Adresse des zuständigen Büros von Black & Decker steht in dieser Anleitung, darüber läßt sich die nächstgelegene Vertragswerkstatt ermitteln. Außerdem ist eine Liste der Vertragswerkstätten und aller Kundendienststellen von Black & Decker sowie der zuständigen Ansprechpartner im Internet zu finden unter: **www.2helpU.com**

Bitte besuchen Sie unsere Webseite **www.blackanddecker.de**, um Ihr neues Black & Decker Produkt zu registrieren und über neue Produkte und Sonderangebote aktuell informiert zu werden. Weitere Informationen über die Marke Black & Decker und unsere Produkte finden Sie unter **www.blackanddecker.de**

Garantie

Black & Decker vertraut auf die Qualität der eigenen Geräte und bietet dem Käufer eine außergewöhnliche Garantie. Diese Garantiezusage versteht sich unbeschadet der gesetzlichen Gewährleistungsansprüche und schränkt diese keinesfalls ein. Sie gilt in sämtlichen Mitgliedsstaaten der Europäischen Union und der Europäischen Freihandelszone EFTA.

Tritt innerhalb von 24 Monaten ab Kaufdatum an einem Gerät von Black & Decker ein auf Material- oder Verarbeitungsfehler zurückzuführender Mangel auf, garantiert Black & Decker den Austausch defekter Teile, die Reparatur von Geräten mit üblichem Verschleiß bzw. den Austausch eines mangelhaften Geräts, ohne den Kunden dabei mehr als unbedingt nötig in Anspruch zu nehmen, allerdings vorbehaltlich folgender Ausnahmen:

Utilisation prévue

Votre perceuse à percussion Black & Decker a été conçue pour percer le bois, le métal, le plastique et la maçonnerie, ainsi que pour fonctionner comme visseuse-dévisseuse. Cet outil a été conçu pour une utilisation exclusivement domestique.

Consignes générales de sécurité

Attention! Lisez toutes les instructions. Le non-respect des instructions indiquées ci-dessous peut entraîner une électrocution, un incendie ou de graves blessures. La notion d'«outil électroportatif» mentionnée par la suite se rapporte à des outils électriques raccordés au secteur (avec câble de raccordement) ou fonctionnant sur batteries (sans fil). GARDEZ PRÉCIEUSEMENT CES CONSIGNES DE SECURITE.

1. Zone de travail

- a. **Maintenez la zone de travail propre et bien éclairée.** Un lieu de travail en désordre ou mal éclairé augmente le risque d'accidents.
- b. **N'utilisez pas les outils électroportatifs dans un environnement présentant des risques d'explosion ni en présence de liquides, gaz ou poussières inflammables.** Les outils électroportatifs génèrent des étincelles risquant d'enflammer les poussières ou les vapeurs.
- c. **Tenez les enfants et autres personnes éloignés durant l'utilisation de l'outil électroportatif.** En cas d'inattention, vous risquez de perdre le contrôle sur l'outil.

2. Sécurité électrique

- a. **La fiche de secteur de l'outil électroportatif doit convenir à la prise de courant. Ne modifiez en aucun cas la fiche. N'utilisez pas de fiches d'adaptateur avec des outils ayant une prise de terre.** Les fiches non modifiées et les prises de courant appropriées réduisent le risque d'électrocution.
- b. **Évitez le contact physique avec des surfaces mises à la terre telles que tuyaux, radiateurs, fours et réfrigérateurs.** Il y a un risque élevé d'électrocution si votre corps est relié à la terre.
- c. **N'exposez pas l'outil électroportatif à la pluie ni à l'humidité.** La pénétration d'eau dans un outil électroportatif augmente le risque d'électrocution.
- d. **Préservez le câble d'alimentation. N'utilisez pas le câble à d'autres fins que celles**

prévues, notamment pour porter l'outil, l'accrocher voire le débrancher de la prise de courant. Maintenez le câble éloigné des sources de chaleur, des parties grasses, des bords tranchants ou des parties de l'outil en rotation. Un câble endommagé ou enchevêtré augmente le risque d'électrocution.

- e. **Si vous utilisez l'outil électroportatif à l'extérieur, utilisez une rallonge homologuée pour utilisation à l'air libre.** L'utilisation d'une rallonge électrique homologuée pour les applications extérieures réduit le risque d'électrocution.
- ### 3. Sécurité personnelle
- a. **Restez vigilant, surveillez ce que vous faites. Faites preuve de bon sens quand vous utilisez l'outil électroportatif. N'utilisez pas l'outil lorsque vous êtes fatigué ou après avoir consommé de l'alcool, des drogues ou avoir pris des médicaments.** Un moment d'inattention lors de l'utilisation de l'outil peut entraîner de graves blessures.
 - b. **Portez des équipements de protection. Portez toujours des lunettes de protection.** Le port d'équipements de protection personnelle tels que masque anti-poussières, chaussures de sécurité antidérapantes, casque ou protection auditive, selon le travail à effectuer, réduit le risque de blessures.
 - c. **Évitez une mise en route accidentelle. Avant de brancher l'outil, vérifiez que l'interrupteur est sur la position arrêt.** Le transport ou le branchement d'outils électroportatifs avec l'interrupteur en position marche est une invite à l'accident.
 - d. **Enlevez tout outil ou clé de réglage avant de mettre l'outil en marche.** Une clé ou un outil se trouvant sur une partie en rotation peut causer des blessures.
 - e. **Ne surestimez pas vos capacités. Conservez en permanence votre équilibre et les deux pieds à terre.** Vous contrôlerez mieux l'outil dans des situations inattendues.
 - f. **Portez des vêtements appropriés. Ne portez pas de vêtements amples ni de bijoux. N'approchez pas les cheveux, vêtements ou gants des parties de l'outil en rotation.** Les vêtements amples, les bijoux ou les cheveux longs peuvent être attrapés dans les pièces en mouvement.
 - g. **Si des dispositifs servant à aspirer ou à recueillir les poussières doivent être**

utilisés, vérifiez qu'ils sont correctement raccordés et utilisés. L'utilisation de tels dispositifs réduit les dangers dus aux poussières.

4. **Utilisation des outils électroportatifs et précautions**
 - a. **Ne surchargez pas l'outil. Utilisez l'outil électroportatif approprié pour le travail à effectuer.** Avec l'outil électroportatif approprié, vous travaillerez mieux et avec plus de sécurité à la vitesse pour laquelle il a été conçu.
 - b. **N'utilisez pas un outil électroportatif dont l'interrupteur est défectueux.** Un outil électroportatif qui ne peut plus être mis en ou hors fonctionnement est dangereux et doit être réparé.
 - c. **Retirez la fiche de la prise de courant avant d'effectuer des réglages sur l'outil, de changer les accessoires ou de ranger l'outil.** Cette mesure de précaution empêche une mise en marche par mégarde.
 - d. **Rangez les outils électroportatifs hors de portée des enfants. Ne laissez pas les personnes n'étant pas familiarisées avec l'outil ou n'ayant pas lu ces instructions l'utiliser.** Les outils électroportatifs sont dangereux lorsqu'ils sont utilisés par des personnes non initiées.
 - e. **Prenez soin des outils électroportatifs. Vérifiez que les parties en mouvement fonctionnent correctement et qu'elles ne sont pas coincées; vérifiez qu'il n'y a pas de pièces cassées ou endommagées susceptibles de nuire au bon fonctionnement de l'outil. S'il est endommagé, faites réparer l'outil avant de l'utiliser.** De nombreux accidents sont dus à des outils électroportatifs mal entretenus.
 - f. **Maintenez les outils de coupe aiguisés et propres.** Des outils soigneusement entretenus avec des bords tranchants bien aiguisés se coincent moins souvent et peuvent être guidés plus facilement.
 - g. **Utilisez les outils électroportatifs, les accessoires, les outils à monter etc. conformément à ces instructions et aux prescriptions en vigueur pour ce type d'outils. Tenez compte également des conditions de travail et du travail à effectuer.** L'utilisation des outils électroportatifs à d'autres

fins que celles prévues peut entraîner des situations dangereuses.

5. Réparations

- a. **Faites réparer votre outil électroportatif uniquement par du personnel qualifié et seulement avec des pièces de rechange d'origine.** Cela garantira le maintien de la sécurité de votre outil.

Instructions de sécurité supplémentaires pour les perceuses à percussion

- **Portez une protection auditive avec les perceuses à percussion.** L'exposition au bruit peut causer des pertes de l'audition.
- **Utilisez les poignées additionnelles fournies avec l'outil.** Une perte de contrôle peut provoquer des blessures.
- **Tenez l'appareil uniquement par les surfaces isolées des poignées si l'opération effectuée peut mettre la lame en contact avec des câbles électriques cachés ou son propre cordon électrique.** Le contact avec un câble sous tension met les parties métalliques de l'appareil sous tension et peut provoquer une électrocution de l'utilisateur.
- **Utilisez des fixations ou tout autre moyen pratique pour fixer et soutenir la pièce à ouvrir sur une plate-forme stable.** Si vous tenez la pièce à la main ou contre votre corps, elle est instable et vous pouvez en perdre le contrôle.
- Avant de percer les murs, les planchers ou les plafonds, vérifiez l'emplacement des fils électriques et des tuyaux.
- Evitez de toucher l'extrémité d'un foret juste après avoir percé car il peut être chaud.

Sécurité électrique



L'outil est doublement isolé ; par conséquent, aucun câble de masse n'est nécessaire. Vérifiez si le voltage mentionné sur la plaque signalétique correspond bien à la tension de réseau sur site.

- Cet appareil n'est pas destiné à être utilisé par des jeunes ou des personnes infirmes sans supervision. Les enfants ne doivent pas jouer avec l'appareil.
- Si le câble d'alimentation est endommagé, il doit être remplacé par le fabricant ou par un centre de réparation agréé Black & Decker afin d'éviter tout accident.

Caractéristiques

Cet outil comprend toutes ou certaines des caractéristiques suivantes.

1. Interrupteur à variateur de vitesse
2. Bouton de verrouillage
3. Sélecteur de rotation droite/gauche
4. Sélecteur de mode de perçage
5. Mandrin
6. Butée de profondeur
7. Poignée latérale

Assemblage

Attention! Avant l'assemblage, assurez-vous que l'outil est éteint et débranché.

Comment ajuster la poignée latérale et la butée de profondeur (fig. A)

- Faites tourner la poignée dans le sens inverse des aiguilles d'une montre jusqu'à ce que vous puissiez faire glisser la poignée latérale (7) sur le devant de l'outil comme indiqué.
- Faites tourner la poignée latérale dans la position souhaitée.
- Insérez la butée de profondeur (6) dans le trou de montage comme indiqué.
- Réglez la profondeur de perçage comme décrit ci-dessous.
- Serrez la poignée latérale en la faisant tourner dans le sens des aiguilles d'une montre.

Installation et retrait d'un foret de perçage ou de vissage

Mandrin sans clé (fig. B)

- Ouvrez le mandrin en faisant tourner la partie avant (8) d'une main tout en tenant la partie arrière (9) de l'autre main.
- Insérez la tige du foret (10) dans le mandrin et serrez fermement le mandrin.

Mandrin avec clé (fig. C)

- Ouvrez le mandrin en faisant tourner le manchon (11) dans le sens inverse des aiguilles d'une montre.
- Insérez la tige de l'accessoire (10) dans le mandrin.
- Insérez la clé du mandrin (12) dans chaque orifice (13) du côté du mandrin et faites-la tourner dans le sens des aiguilles d'une montre jusqu'à ce que l'ensemble soit bien serré.

Démontage et remontage du mandrin (fig. D)

- Ouvrez le mandrin jusqu'à son ouverture maximum.

- Enlevez la vis de fixation du mandrin, située dans le mandrin, en la faisant tourner dans le sens des aiguilles d'une montre à l'aide d'un tournevis.
- Serrez une clé Allen dans le mandrin et desserrez-le en donnant un coup de marteau sur la clé Allen comme l'indique le dessin.
- Enlevez la clé Allen.
- Enlevez le mandrin en le faisant tourner dans le sens inverse des aiguilles d'une montre.
- Pour replacer le mandrin, vissez-le sur l'arbre et serrez-le avec la vis de serrage.

Utilisation

Attention! Laissez l'outil fonctionner à sa propre vitesse. Ne le surchargez pas.

Attention! Avant de percer les murs, les planchers ou les plafonds, vérifiez l'emplacement des fils électriques et des tuyaux.

Sélection du sens de rotation (fig. E)

Pour le perçage et le serrage des vis, utilisez la rotation vers l'avant (dans le sens des aiguilles d'une montre). Pour desserrer les vis ou enlever un foret de perçage coincé, utilisez la rotation vers l'arrière (dans le sens inverse des aiguilles d'une montre).

- Pour sélectionner la rotation vers l'avant, poussez le sélecteur de rotation droite/gauche (3) vers la position centrale.
- Pour sélectionner la rotation vers l'arrière, poussez le sélecteur de rotation droite/gauche vers la gauche.

Attention! Ne changez jamais le sens de rotation lorsque le moteur est en marche.

Sélection du mode de perçage

- Pour le perçage dans la maçonnerie, fixez le sélecteur de mode de perçage (4) en position **T**.
- Pour le perçage dans d'autres matériaux et le vissage, fixez le sélecteur de mode de perçage en position **1**.

Réglage de la profondeur de coupe (fig. F)

- Relâchez la poignée latérale (7) en la faisant tourner dans le sens inverse des aiguilles d'une montre.
- Fixez la butée de profondeur (6) dans la position souhaitée. La profondeur de perçage maximale est égale à la distance entre l'extrémité du foret et l'extrémité avant de la butée de profondeur.

- Serrez la poignée latérale en la faisant tourner dans le sens des aiguilles d'une montre.

Démarrage et arrêt

- Pour allumer l'outil, appuyez sur l'interrupteur de vitesse variable (1). La vitesse de l'outil dépend de la force que vous exercez sur l'interrupteur. En règle générale, utilisez des vitesses lentes pour les forêts de perçage de gros diamètres et les vitesses rapides pour les forêts de petits diamètres.
- Pour un fonctionnement en continu, appuyez sur le bouton de verrouillage (2) et relâchez l'interrupteur de vitesse variable. Cette option n'est disponible qu'en vitesse maximale. Cette option ne fonctionne pas en rotation inverse.
- Pour éteindre l'outil, relâchez le sélecteur de vitesse. Pour éteindre l'outil lorsqu'il est en fonctionnement continu, appuyez sur l'interrupteur de vitesse variable une fois de plus et relâchez-le.

Accessoires

Les performances de votre outil dépendent de l'accessoire que vous utilisez. Les accessoires Black & Decker et Piranha sont conçus selon les normes de haute qualité pour améliorer les performances de votre outil. En utilisant ces accessoires, vous obtiendrez les meilleurs résultats de votre outil.

Entretien

Votre outil a été conçu pour fonctionner pendant longtemps avec un minimum d'entretien. Un fonctionnement continu satisfaisant dépend d'un nettoyage régulier et d'un entretien approprié de l'outil.

Attention! Avant d'effectuer tout entretien, éteignez et débranchez l'outil.

- Nettoyez régulièrement les orifices de ventilation de votre outil à l'aide d'une brosse douce ou d'un chiffon sec.
- Nettoyez régulièrement le compartiment du moteur à l'aide d'un chiffon humide. N'utilisez pas de produit abrasif ou à base de solvant.

Protection de l'environnement



Collecte séparée. Ce produit ne doit pas être jeté avec les déchets domestiques normaux.

Si vous décidez de remplacer ce produit Black & Decker, ou si vous n'en avez plus l'utilité,

ne le jetez pas avec vos déchets domestiques. Rendez-le disponible pour une collecte séparée.



La collecte séparée des produits et emballages usés permet le recyclage des articles afin de les utiliser à nouveau. Le fait d'utiliser à nouveau des produits recyclés permet d'éviter la pollution environnementale et de réduire la demande de matières premières.

Les réglementations locales peuvent permettre la collecte séparée des produits électriques du foyer, dans des déchetteries municipales ou auprès du revendeur vous ayant vendu votre nouveau produit.

Black & Decker fournit un dispositif permettant de collecter et de recycler les produits Black & Decker lorsqu'ils ont atteint la fin de leur cycle de vie. Pour pouvoir profiter de ce service, veuillez retourner votre produit à un réparateur agréé qui se chargera de le collecter pour nous.

Pour connaître l'adresse du réparateur agréé le plus proche de chez vous, contactez le bureau Black & Decker à l'adresse indiquée dans ce manuel. Vous pourrez aussi trouver une liste des réparateurs agréés de Black & Decker et de plus amples détails sur notre service après-vente sur le site Internet à l'adresse suivante:

www.2helpU.com

Caractéristiques techniques

		KR50RE	KR50CRE	AST1XC
Tension	V _{AC}	230	230	230
Puissance absorbée	W	500	500	500
Vitesse à vide	min ⁻¹	0-2.800	0-2.800	0-2.800
Capacité max. de perçage				
Acier/béton	mm	13	13	13
Bois	mm	20	20	20
Poids	kg	1,9	1,9	1,9

		KR52CRE	KR53CRE	KR55CRE
Tension	V _{AC}	230	230	230
Puissance absorbée	W	500	550	550
Vitesse à vide	min ⁻¹	0-2.800	0-2.800	0-2.800
Capacité max. de perçage				
Acier/béton	mm	13	13	13
Bois	mm	20	20	20
Poids	kg	1,9	1,9	1,9

Déclaration de conformité CE

KR50RE/KR50CRE/AST1XC/KR52CRE/
KR53CRE/KR55CRE

Black & Decker déclare que ces produits sont conformes à: 98/37/CEE, 89/336/CEE, EN 55014, EN 60745, EN 61000

L_{pA} (pression sonore) 99 dB(A),
 L_{WA} (puissance acoustique) 110 dB(A),
poids de la vibration sur la main/bras 13,8 m/s²

K_{pA} (incertitude de la pression acoustique) 3 dB(A),
 K_{WA} (incertitude de la puissance acoustique) 3 dB(A)



Kevin Hewitt
Directeur Ingénierie Client
Spennymoor, County Durham
DL16 6JG, Royaume Uni
1-5-2006

contactez le bureau Black & Decker à l'adresse indiquée dans ce manuel. Vous pourrez aussi trouver une liste des réparateurs agréés de Black & Decker et de plus amples détails sur notre service après-vente sur le site Internet à l'adresse suivante: www.2helpU.com

Visitez notre site Web www.blackanddecker.fr pour enregistrer votre nouveau produit Black & Decker et être informé des nouveaux produits et des offres spéciales. Pour plus d'informations concernant la marque Black & Decker et notre gamme de produits, consultez notre site www.blackanddecker.fr

Garantie

Black & Decker est confiant dans la qualité de ses produits et vous offre une garantie très étendue. Ce certificat de garantie est un document supplémentaire et ne peut en aucun cas se substituer à vos droits légaux. La garantie est valable sur tout le territoire des Etats Membres de l'Union Européenne et de la Zone de Libre Echange Européenne.

Si un produit Black & Decker s'avère défectueux en raison de matériaux en mauvaises conditions, d'une erreur humaine, ou d'un manque de conformité dans les 24 mois suivant la date d'achat, Black & Decker garantit le remplacement des pièces défectueuses, la réparation des produits usés ou cassés ou remplace ces produits à la convenance du client, sauf dans les circonstances suivantes:

- Le produit a été utilisé dans un but commercial, professionnel, ou a été loué.
- Le produit a été mal utilisé ou avec négligence.
- Le produit a subi des dommages à cause d'objets étrangers, de substances ou à cause d'accidents.
- Des réparations ont été tentées par des techniciens ne faisant pas partie du service technique de Black & Decker.

Pour avoir recours à la garantie, il est nécessaire de fournir une preuve d'achat au vendeur ou à un réparateur agréé. Pour connaître l'adresse du réparateur agréé le plus proche de chez vous,

Použití výrobku

Vaše příklepová vrtačka Black & Decker je určena k vrtání dřeva, kovu, plastů a zdiva, zrovna tak jako ke šroubování.

Tento výrobek je určen pouze pro spotřebitelské použití.

Bezpečnostní předpisy

Varování! Přečtěte si veškeré pokyny. Nedodržení níže uvedených pokynů může mít za následek úraz elektrickým proudem, vznik požáru anebo vážné poranění. Označení "elektrické nářadí" ve všech níže uvedených upozorněních odkazuje na vaše nářadí napájené ze sítě (s napájecím kabelem) nebo nářadí napájené bateriemi (bez napájecího kabelu).

TYTO POKYNY USCHOVEJTE.

1. Pracovní prostředí

- a. **Udržujte pracovní prostor v čistotě a dobře osvětlený.** Nepořádek na pracovním stole a nedostatek světla v jeho okolí může vést ke způsobení nehody.
- b. **S elektrickým nářadím nepracujte ve výbušných prostředích, jako jsou například prostory, ve kterých se vyskytují hořlavé kapaliny, plyny nebo prašné látky.** Elektrické nářadí je zdrojem jiskření, které může zapálit prach nebo výpary.
- c. **Při práci s elektrickým nářadím dbejte na to, aby se do jeho blízkosti nedostaly děti a okolo stojící osoby.** Rozptylování může způsobit ztrátu kontroly nad nářadím.

2. Elektrická bezpečnost

- a. **Zástrčka napájecího kabelu nářadí musí odpovídat zásuvce. Zástrčku nikdy žádným způsobem neupravujte. U nářadí chráněného zemněním nepoužívejte jakékoliv redukce zástrček.** Neupravené zástrčky a odpovídající zásuvky snižují riziko vzniku úrazu elektrickým proudem.
- b. **Nedotýkejte se uzemněných povrchů, jako jsou např. trubky, radiátory, plotny a chladničky.** Při uzemnění vašeho těla hrozí zvýšené nebezpečí úrazu elektrickým proudem.
- c. **Nářadí nevystavujte dešti ani vlhkému prostředí.** Pokud do nářadí vnikne voda, zvýší se riziko úrazu elektrickým proudem.
- d. **S napájecím kabelem zacházejte opatrně. Nepoužívejte přívodní kabel k přenášení nářadí, tahání nebo vytahování zástrčky**

ze zásuvky. Napájecí kabel držte z dosahu tepelných zdrojů, oleje, ostrých hran nebo pohyblivých částí. Poškozené nebo spletené kabely zvyšují riziko úrazu elektrickým proudem.

- e. **Pokud s nářadím pracujete ve venkovním prostředí, použijte prodlužovací kabel určený pro venkovní prostředí.** Práce s prodlužovacím kabelem pro venkovní použití snižuje riziko vzniku úrazu elektrickým proudem.
- ### 3. Bezpečnost obsluhy
- a. **Zůstaňte stále pozorní, sledujte, co provádíte a při práci s elektrickým nářadím pracujte s rozvahou. Nepoužívejte elektrické nářadí, jste-li unaveni nebo jste-li pod vlivem drog, alkoholu nebo léků.** Chvilková nepozornost při práci s elektrickým nářadím může mít za následek vážné zranění.
 - b. **Používejte bezpečnostní vybavu. Vždy používejte prostředky k ochraně zraku.** Bezpečnostní vybava jako je respirátor, neklouzavá bezpečnostní obuv, pevná přilba nebo ochranné sluchátka použitá v odpovídajících podmínkách snižuje riziko úrazu.
 - c. **Zabraňte náhodnému spuštění. Dříve než nářadí připojíte do elektrické zásuvky zajistěte, aby byl hlavní spínač ve vypnuté poloze.** Přenášení nářadí s prstem na hlavní vypínači nebo připojení napájecího kabelu k elektrickému rozvodu, pokud je hlavní vypínač nářadí v poloze zapnuto, může způsobit úraz.
 - d. **Před spuštěním nářadí se vždy ujistěte, zda nejsou v jeho blízkosti klíče nebo seřizovací přípravky.** Klíče nebo seřizovací přípravky zapomenuté na pohyblivých částech nářadí mohou způsobit úraz.
 - e. **Nepřekázejte sami sobě. Při práci vždy udržujte vhodný a pevný postoj.** To umožní lepší ovladatelnost nářadí v neočekávaných situacích.
 - f. **Vhodně se oblékejte. Nenoste volný oděv nebo šperky. Vaše vlasy, oděv a rukavice držte z dosahu pohyblivých částí.** Volné šaty, šperky nebo dlouhé vlasy mohou být pohyblivými díly zachyceny.
 - g. **Pokud je zařízení vybaveno adaptérem pro připojení zařízení k zachytávání prachu, zajistěte jeho správné připojení a řádnou funkci.** Použití těchto zařízení může snížit nebezpečí týkající se prachu.

4. Použití elektrického nářadí a jeho údržba

- a. **Nářadí nepřetěžujte. Pro konkrétní aplikace používejte vhodné nářadí.** Při použití správného typu nářadí bude práce provedena lépe a bezpečněji.
- b. **Pokud nelze hlavní vypínač nářadí zapnout a vypnout, s nářadím nepracujte.** Jakékoliv elektrické nářadí s nefunkčním hlavním vypínačem je nebezpečné a musí být opraveno.
- c. **Před prováděním jakéhokoliv seřízení, před výměnou příslušenství nebo před uložením nářadí vždy odpojte napájecí kabel od zásuvky.** Tato preventivní bezpečnostní opatření snižují riziko náhodného spuštění nářadí.
- d. **Pokud nářadí nepoužíváte, uložte je mimo dosah dětí a zabraňte osobám neobeznámených s obsluhou nářadí nebo s tímto návodem, aby s nářadím pracovali.** Výkonné nářadí je v rukou nekvalifikované obsluhy nebezpečné.
- e. **Údržba elektrického nářadí. Zkontrolujte, zda nářadí nemá vychýlené nebo rozpojené pohyblivé části, zlomené díly nebo jakoukoliv jinou závadu, která může mít vliv na jeho správný chod. Pokud je nářadí poškozeno, nechejte jej opravit.** Mnoho nehod je způsobeno nedostatečnou údržbou nářadí.
- f. **Řezné nástroje udržujte ostré a čisté.** Pořádně udržované řezné nástroje s ostrými řeznými bity jsou méně náchylné k zanášení nečistotami a lépe se s nimi manipuluje.
- g. **Používejte elektrické nářadí, příslušenství a pracovní nástroje podle zde uvedených pokynů a způsobem, který je určen každému jednotlivému typu elektrického nářadí. Vždy berte v úvahu pracovní podmínky a typ práce, kterou budete provádět.** Použití nářadí k jiným účelům, než ke kterým je určeno může být nebezpečné.

5. Servis

- a. **Svěřte opravu vašeho nářadí pouze osobě s příslušnou kvalifikací, která bude používat výhradně originální náhradní díly.** Tím bude zajištěna bezpečnost chodu nářadí.

Doplňující bezpečnostní pokyny pro příklepové vrtačky

- **Při vrtání s příklepem použijte vhodnou ochranu sluchu.** Nadměrná hloučnost může

způsobit ztrátu sluchu.

- **Používejte přidavné rukojeti dodávané s nářadím.** Ztráta kontroly nad nářadím může vést k úrazu.
- **Při provádění jakýchkoliv prací, kde může dojít ke kontaktu vrtací násady se skrytým elektrickým vedením nebo vlastním přívodním kabelem, nářadí držte za izolovanou rukojeť.** Při kontaktu s "živým" vodičem se nechráněné kovové části nářadí stanou také "živé" a obsluha tak utrpí zásah elektrickým proudem.
- **Obrobek si k pevně podložce upněte pomocí svorek či jiným vhodným způsobem.** Přichycení obrobku rukou nebo k tělu je nestabilní a může vést ke ztrátě kontroly.
- Před vrtáním do zdí, podlah nebo stropů zjistěte polohu elektrických vedení a vodovodních, plynových nebo jiných potrubí.
- Ihned po dokončení vrtání se nedotýkejte špičky vrtací násady, může být horká.

Elektrická bezpečnost



Toto nářadí je chráněno dvojitou izolací; z tohoto důvodu není nutná ochrana zemněním. Vždy zkontrolujte, zda síťové napětí odpovídá napětí uvedenému na typovém štítku nářadí.

- Toto nářadí není určeno k použití pro mládež nebo nedospělé osoby bez dozoru. Děti musí být pod dozorem, aby si s nářadím nehrály.
- Poškozený napájecí kabel musí být bezpečně vyměněn výrobcem nebo autorizovaným servisním zástupcem firmy Black & Decker.

Popis

Toto nářadí se skládá z několika nebo všech následujících částí.

1. Spínač s regulací otáček
2. Zajišťovací tlačítko
3. Přepínač chodu vpřed/vzad
4. Volič režimu vrtání
5. Sklíčidlo
6. Hloubkový doraz
7. Boční rukojeť

Sestavení

Varování! Před montáží se ujistěte, zda je nářadí vypnuto a zda je napájecí kabel odpojen od zásuvky.

Upevnění boční rukojeti a hloubkového dorazu (obr. A)

- Podle obrázky otáčejte držadlem proti směru pohybu hodinových ručiček, až budete moci nasunout boční rukojeť (7) na přední část nářadí.
- Otočte boční rukojeť do požadované polohy.
- Zasuňte hloubkový doraz (6) do otvoru podle obrázky.
- Nastavte hloubku vrtání tak, jak je popsáno níže.
- Dotáhněte boční rukojeť otáčením držadla po směru pohybu hodinových ručiček.

Uchycení vrtáku nebo šroubovací násady

Rychloupínací sklíčidlo (obr. B)

- Otevřete sklíčidlo tak, že jednou rukou budete otáčet přední částí (8), zatímco druhou rukou budete přidržovat zadní část (9).
- Do sklíčidla zasuňte dřík násady (10) a sklíčidlo pevně dotáhněte.

Skličidlo utahované klíčem (obr. C)

- Otevřete sklíčidlo otáčením vnějšího prstence hlavy (11) proti směru hodinových ručiček.
- Do sklíčidla vložte násadu (10).
- Klíč (12) zasuňte do otvoru (13) na boční straně sklíčidla a otáčením ve směru hodinových ručiček sklíčidlo utáhněte.

Sejmutí a nasazení sklíčidla (obr. D)

- Čelisti sklíčidla rozevřete co nejvíce.
- Odšroubujte ve směru hodinových ručiček pomocí šroubováku přídržný šroub sklíčidla umístěný uvnitř.
- Do sklíčidla upněte imbusový klíč a udeřte do něj kladivem tak, jak je znázorněno na obrázku.
- Imbusový klíč vyjměte.
- Otáčením proti směru hodinových ručiček sklíčidlo vyšroubujte.
- Skličidlo nasadíte zpět tak, že jej našroubujete na hřídel a zajistíte přídržným šroubem.

Použití

Varování! Nechejte nářadí pracovat vlastním tempem. Zamezte přetěžování nářadí.

Varování! Před vrtáním do zdí, podlah nebo stropů zjistěte polohu elektrických vedení a vodovodních, plynových nebo jiných potrubí.

Volba směru otáčení (obr. E)

Pro vrtání a utahování šroubů použijte chod vpřed (otáčení po směru hodinových ručiček).

Při povolování šroubů a uvolňování zaseknutého vrtáku použijte zpětný chod (otáčení proti směru hodinových ručiček).

- Chcete-li zvolit chod vpřed, zatlačte spínač pro volbu chodu (3) do středové polohy.
- Chcete-li zvolit zpětný chod, zatlačte spínač pro volbu chodu (3) směrem doleva.

Varování! Nikdy neměňte směr otáčení za chodu motoru.

Volba provozního režimu

- Pro vrtání do zdiva přepněte volič režimu vrtání (4) do polohy **T**.
- Pro vrtání do ostatních materiálů a pro šroubování nastavte volič režimů do polohy **1**.

Nastavení hloubky vrtání (obr. F)

- Uvolněte otočením držadla proti směru hodinových ručiček boční rukojeť (7).
- Nastavte hloubkový doraz (6) do požadované polohy. Maximální hloubka vrtání odpovídá vzdálenosti mezi špičkou vrtáku a předním koncem hloubkového dorazu.
- Dotáhněte boční rukojeť otáčením držadla po směru pohybu hodinových ručiček.

Zapnutí a vypnutí

- Nářadí zapnete stisknutím spínače s regulací otáček (1). Otáčky nářadí závisí na intenzitě stisknutí tohoto spínače. Obecně používejte nižší otáčky pro větší průměry vrtáků a vyšší otáčky pro menší průměry.
- Pro plynulý chod stiskněte zajišťovací tlačítko (2) a uvolněte spínač s regulací otáček. Tato funkce je k dispozici pouze při plných otáčkách. Tato možnost nepracuje ve zpětném chodu.
- Nářadí vypneme tak, že uvolníme stisk hlavního vypínače s regulací otáček. Pro vypnutí nářadí za plynulého chodu stiskněte opět spínač s regulací otáček a uvolněte jej.

Příslušenství

Výkon Vašeho nářadí závisí také na používaném příslušenství. Příslušenství Black & Decker a Piranha jsou zkonstruována tak, aby splňovala nejvyšší standardy kvality a zvyšovala účinnost vašeho nářadí. Budete-li používat tato příslušenství, získáte nejlepší pracovní výsledky.

Údržba

Vaše nářadí bylo navrženo tak, aby mělo dlouhou provozní životnost a minimální nároky na údržbu. Předpokladem dlouhodobé bezproblémové funkce nářadí je jeho pravidelné čištění a péče.

Varování! Před prováděním jakékoliv údržby nářadí vypněte a odpojte napájecí kabel od sítě.

- Pomocí měkkého kartáče nebo suchého hadříku pravidelně čistěte větrací drážky na nářadí.
- Pomocí vlhkého hadříku pravidelně čistěte kryt motoru. Nepoužívejte žádné brusné nebo rozpouštěcí čisticí prostředky.

Ochrana životního prostředí



Tříděný odpad. Tento výrobek nesmí být vyhozen do běžného domovního odpadu.

Jednoho dne zjistíte, že nářadí Black & Decker musíte vyměnit nebo jej nebudete dále používat. V tomto případě myslíte na ochranu životního prostředí a nevyhazujte přístroj do domácího odpadu. Přístroj zlikvidujte v tříděném odpadu.



Tříděný odpad umožňuje recyklaci a opětovné využití použitých výrobků a obalových materiálů. Opětovné použití recyklovaných materiálů pomáhá zabránit znečištění životního prostředí a snižuje požadavky na nové suroviny.

Místní předpisy mohou upravovat způsob likvidace domácích elektrických spotřebičů v místních sběrnách nebo v místě nákupu výrobku.

Také společnost Black & Decker, poskytuje možnost sběru použitých výrobků nebo jejich recyklaci. V rámci této výhodné služby vraťte vaše nářadí kterékoliv autorizované servisní pobočce Black & Decker, kde bude toto nářadí shromážděno a s ohledem na životní prostředí recyklováno.

Místo vaší nejbližší autorizované servisní pobočky Black & Decker se dozvíte na příslušné adrese uvedené na zadní straně této příručky. Přehled autorizovaných servisních dílen Black & Decker a rovněž další informace můžete nalézt také na internetové adrese: www.2helpU.com

Technické údaje

	KR50RE	KR50CRE	AST1XC
Napájecí napětí	V_{AC} 230	230	230
Příkon	W 500	500	500
Otáčky			
naprázdno	min^{-1} 0-2,800	0-2,800	0-2,800
Maximální průměr vrtání			
Ocel/beton	mm 13	13	13
Dřevo	mm 20	20	20
Hmotnost	kg 1.9	1.9	1.9

	KR52CRE	KR53CRE	KR55CRE
Napájecí napětí	V_{AC} 230	230	230
Příkon	W 500	550	550
Otáčky			
naprázdno	min^{-1} 0-2,800	0-2,800	0-2,800
Maximální průměr vrtání			
Ocel/beton	mm 13	13	13
Dřevo	mm 20	20	20
Hmotnost	kg 1.9	1.9	1.9

Prohlášení o shodě

KR50RE/KR50CRE/AST1XC/KR52CRE/
KR53CRE/KR55CRE

Společnost Black & Decker prohlašuje, že tyto výrobky odpovídají směrnicím: 98/37/EC, 89/336/EEC, EN 55014, EN 60745, EN 61000

L_{PA} (akustický tlak) 99 dB(A),
 L_{WA} (akustický výkon) 110 dB(A),
hodnota vibrací přenášených na obsluhu 13,8 m/s²

K_{PA} (nepřesnost akustického tlaku) 3 dB(A),
 K_{WA} (nepřesnost akustického výkonu) 3 dB(A)

Kevin Hewitt

Ředitel spotřebitelské techniky
Spennymoor, County Durham
DL16 6JG, Velká Británie
1-5-2006

Politika služby zákazníkům

Spokojenost zákazníka s výrobkem a servisem je náš nejvyšší cíl.

Kdykoli budete potřebovat radu či pomoc, obraťte se s důvěrou na nejbližší servis Black&Decker, kde Vám vyškolený personál poskytne naše služby na nejvyšší úrovni.

Záruka Black&Decker 2 roky

Blahopřejeme Vám ke koupi tohoto kvalitního výrobku Black&Decker.

Náš závazek ke kvalitě v sobě samozřejmě zahrnuje také naše služby zákazníkům.

Proto nabízíme záruční lhůtu daleko přesahující minimální požadavky vyplývající ze zákona.

Kvalita tohoto přístroje nám umožňuje nabídnout Vám záruční lhůtu po dobu 24 měsíců.

Objeví-li se jakékoliv materiálové nebo výrobní vady v průběhu **24 měsíců** záruční lhůty, garantujeme jejich bezplatné odstranění případně, dle našeho uvážení, bezplatnou výměnu přístroje za následujících podmínek:

- Příklad bude dopraven (spolu s originálním záručním listem Black&Decker a s dokladem o nákupu) do jednoho z pověřených servisních středisek Black&Decker, která jsou autorizována k provádění záručních oprav.
 - Příklad byl používán pouze s originálním příslušenstvím či přídatnými zařízeními a příslušenstvím BBW či Piranha, které je výslovně doporučeno jako vhodné k používání spolu s přístroji Black&Decker.
 - Příklad byl používán a udržován v souladu s návodem k obsluze.
 - Příklad nevykazuje žádné příčiny poškození způsobené opotřebením.
 - Motor přístroje nebyl přetěžován a nejsou patrné žádné známky poškození vnějšími vlivy.

- Do přístroje nebylo zasahováno nepovolnou osobou. Osoby povolané tvoří personál pověřených servisních středisek Black&Decker, která jsou autorizována k provádění záručních oprav.

Navíc servis Black&Decker poskytuje na veškeré provedené opravy a vyměněné náhradní díly další servisní záruční lhůtu 6 měsíců.

Záruka se nevztahuje na spotřební příslušenství (vrtáky, šroubovací nástavce, pilové kotouče, hoblovací nože, brusné kotouče, pilové listy, brusný papír a pod.).

Black&Decker nabízí rozsáhlou síť autorizovaných servisních oprav a sběrných středisek, jejichž seznam naleznete na záručním listu.

Black&Decker

Klásterského 2
143 00 Praha 4 - Modřany

Tel.: 244 402 450

Fax: 241 770 204

recepce@blackanddecker.cz

Právo na případné změny vyhrazeno.

06/2004

Rendeltetésszerű használat

Szívből gratulálunk új Black & Decker Ütvefűrójához. Ezt a készüléket fa, fém, műanyagok és kőzet fűrésására valamint csavarozásra terveztük. Az ütvefűró iparszerű felhasználásra nem alkalmas.

Általános biztonságtechnikai előírások

Figyelem! Elektromos szerszám használatakor mindig tartsa be az alábbi alapvető biztonsági rendszabályokat, így elkerülheti a tűzveszély, az elektromos áramütés, a személyi sérülések és az anyag károsodásának lehetőségét.

- Figyelmesen olvassa el a kezelési útmutatót a gép üzembe helyezése előtt.
- Kérjük, gondosan őrizze meg a kezelési útmutatót, hogy a későbbiekben is bármikor utánanézhessen a géppel kapcsolatos összes információknak.
- Mielőtt bármilyen beállítást változtat a gépen, vagy karbantartási munkába kezd, mindig csatlakoztassa le a készüléket a hálózati áramforrásról.

1) Munkaterület

- Tartsa rendben és világítsa meg munkahelyét.** A zsúfolt, rendetlen munkaterület növeli a balesetveszélyt. Gondoskodjon a munkaterület megfelelő megvilágításáról.
- Ne használja a készüléket robbanás és tűzveszélyes helyeken, például gyúlékony folyadékok és gázok közelében.** Elektromos kéziszerszámok használatakor szikra keletkezhet, mely begyűjthetja a port vagy gázt.
- Tartsa távol a gyerekeket.** Gondoskodjon arról, hogy gyereket, más személyek vagy állatok ne közelíthessék meg a munkaterületet, ne érinthessék meg a készüléket és a hálózati kábelt, továbbá elvonhatják figyelemét a készülék irányításáról.

2) Elektromos biztonság

- A készülék csatlakozódugójának illeszkednie kell a dugaszoló aljzathoz. Soha ne változtasson a csatlakozódugón. Soha ne használjon semmilyen adaptert földelt készülékekkel.** Az eredeti csatlakozódugó és a megfelelő dugaszoló aljzat használatával jelentősen csökkenthető az elektromos áramütés kockázata.

- Kerülje az érintkezést fémes részekkel (például csövek, radiátorok, tűzhelyek és hűtőszekrények).** Viseljen gumitalpú cipőt. Extrém munkakörülmények között (pl.: magas páratartalom, fémpor keletkezése esetén) az elektromos biztonság növelhető egy leválasztó transzformátor vagy hibaáram-védelmi kapcsoló előkapcsolásán keresztül
 - Legyen figyelemmel a környezeti behatásokra.** Ne hagyja szabadban a gépet, óvja az esőtől. Ne használja nyirkos, nedves környezetben. Soha ne mártsa a készüléket vízbe!
 - Bánjon gondosan a kábellel. Soha ne a kábelnél fogva vigye a gépet, és kérjük, ne a kábelnél fogva húzza ki a csatlakozódugót a konnektorból. Tartsa távol a kábelt éles szélektől, védje olajtól és hőtől. Minden használat előtt ellenőrizze a kábel állapotát, és ne indítsa be a gépet, ha a kábel sérült.** Sérült vagy összetekeredett hálózati kábel használata jelentősen növelheti az elektromos áramütés kockázatát.
 - A szabadban kizárólag csak az arra jóváhagyott és jelöléssel ellátott hosszabbító kábelt szabad használni.** Használat előtt ellenőrizze a hosszabbító kábelt és cserélje le, ha sérült. Teljesítmény csökkenés nélkül max. 30m hosszúság, kétezer Black & Decker hosszabbító kábelt használhat.
- Személy védelem**
 - Figyeljen munkájára. Figyeljen mindig arra, amit tesz. Használja az összes érzékszervét. Ne használja a készüléket, ha fáradt, vagy ha hallucinogén anyag, alkohol vagy gyógyszeres befolyásoltság alatt áll.** Elektromos kéziszerszám használatakor pillanatnyi figyelmetlenség is súlyos baleset előidézője lehet.
 - Viseljen védőfelszerelést. Mindig viseljen védőszemüveget.** Használjon arc vagy pormaszkot, ha az elvégzendő munka nagy porral, vagy lepattanó részekkel járhat. Ügyeljen a hallásvédelemre is.
 - Ne hagyja felügyelet nélkül bekapcsolva a gépet. Győződjön meg róla, hogy az üzemi kapcsoló kikapcsolt állapotban van, mielőtt az áramforrásra csatlakoztatja.** Ne szállítsa a feszültség alatt lévő gépet ujjával az üzemi kapcsolón, mivel ez súlyos baleset előidézője lehet.

d. Ne hagyjon szerelőkulcsot a gépben.

A munka megkezdése előtt mindig ellenőrizze, hogy a szerelőszerszámot (kulcsot) eltávolította-e a készülékből.

e. Álljon biztonságosan. Kerülje a rendellenes testtartást, és egyensúlyát soha ne veszítse el munkavégzés közben.

Így jobban irányíthatja a készüléket, még váratlan helyzetekben is.

f. Viseljen megfelelő munkaruházatot.

Szabadban viseljen gumikesztyűt és csúszásmentes lábbelit. Ne hordjon ékszert vagy laza ruházatot munkavégzés közben. Tartsa távol hosszú haját, ruházatát és munkakesztyűjét a mozgó részekről.

A laza ruházat, ékszerek vagy hosszú haj beakadhatnak a mozgó részekbe. Hosszú haj esetében használjon sapkát, hogy ne zavarja a munkában.

g. Ha a készüléken megtalálható a porelszívási lehetőség, vagy a porzsák, úgy ügyeljen arra, hogy megfelelően csatlakoztassa és használja ezeket munka közben. Porelszívó berendezés használatával nagymértékben csökkenthetőek a por okozta veszélyek.**4) Az elektromos kéziszerszám használata és ápolása****a. Mindig a megfelelő szerszámot használja.**

Ne erőltesse a kéziszerszámot. A készülék rendeltetészerű használatáról korábban már említett tettünk. Ne erőltesse túl a kisebb teljesítményű készülékeket, vagy tartozékokat, nagyobb teljesítményt igénylő munkánál.

A termékkel jobban és biztonságosabban elvégezheti a munkát, hogy ha a teljesítmény kategóriájának megfelelően használja.

Figyelem! Az Ön biztonsága érdekében csak olyan tartozékokat, illetve kiegészítő berendezést használjon, melyet a kezelési utasítás ajánl.

b. Ne használja a gépet, ha a kapcsoló nem működőképes.

Bármely kéziszerszám használata, amely nem irányítható megfelelően az üzemi kapcsolóval, nagyon veszélyes, ezért azonnal meg kell javíttatni a kapcsolót, ha sérült vagy nem működőképes.

c. Áramtalanítsa a készüléket.

Mindig áramtalanítsa a készüléket, ha nem használja azt; mielőtt változtatna a gép bármely beállításán; tartozékokat vagy feltétet cserél; valamint a termék átvizsgálása előtt.

d. Ügyeljen a készülék megfelelő tárolására.

Ha nem használja a készüléket, tartsa száraz, gyermekek elől gondosan elzárt helyen. Az elektromos kéziszerszámok használata veszélyes lehet nem képzett felhasználó esetén.

e. Ellenőrizze a készülék állapotát. Használat előtt mindig ellenőrizze a készüléket és a hálózati kábelt.

Vizsgálja meg, hogy a mozgó részek megfelelően működnek, nincsenek akadályoztatva. Ellenőrizze a részegységeket, olajozásukat, esetleg előforduló töréseit, a kézvédő vagy a kapcsoló sérüléseit és minden olyan rendellenességet, ami befolyásolhatja a készülék használatát. Bizonyosodjon meg róla, hogy a készülék megfelelően működik, és a kategóriájával egyenértékű teljesítményt biztosít. Ne használja a gépet, ha valamelyik alkatrésze sérült. A sérült vagy hibás alkatrészek javítását vagy cseréjét csak a kijelölt szakszervizek végezhetik. Soha ne kísérelje meg a javítást Önállóan, a sérült részeket és védőberendezéseket előírás szerint kell javíttatni vagy cseréltetni.

f. A vágóéleket tartsa élesen és tisztán

a jobb és biztonságosabb munkavégzés érdekében. Kövesse a karbantartásra és tartozékcserere vonatkozó előírásokat. Tartsa a fogantyúkat és csatlakozókat szárazon, tisztán és olajtól, zsírtól mentesen.

g. Rögzítse a munkadarabot. Használjon satut vagy más leszorító eszközt a munkadarab rögzítésére.

Így biztonságossá válik a munkavégzés, és mindkét keze szabadon marad a gép irányítására.

5) Javítás**a. Ez a kéziszerszám megfelel a vonatkozó biztonsági előírásoknak. Javítást csak szakszerviz végezhet, és csak eredeti gyári alkatrészeket szabad felhasználni.**

A szakszerűtlen javítás súlyos baleset előidézője lehet.

Kiegészítő biztonságtechnikai előírások ütvéfűrókhoz

- Viseljen hallásvédőt. A magas zajszint halláskárosodáshoz vezethet.
- Mindig használja a készülékkel szállított pótfogantyút. A készülék feletti irányítás elvesztése, súlyos baleset előidézője lehet.
- A készüléket csak a szigetelt markolat

felületen tartsa, ha olyan munkát végez, ahol a befogott tartozék rejtett vezetékkel vagy saját hálózati kábelével érintkezhet. Élő vezetékkel való találkozás a készülék fém részeit is élővé, vezetővé teszi, és így elektromos áramütés veszélyét jelenti a felhasználó részére.

- **Használjon lezorító eszközt vagy satut a munkadarab biztosításához, illetve megtámasztásához.** Az irányítás elvesztéséhez vezethet, és személyi sérülést okozhat, ha a munkadarabot a kezében tartja, vagy testéhez támasztja.
- Mielőtt fűrészi munkálatba kezdene falzatba, padlózatba, vagy tetőzetbe, mindig ellenőrizze a vezetékek és csövek elhelyezkedését.
- Soha ne érintse meg a fűrészsár hegyét azonnal a munka befejezése után, mivel ez forró lehet.

Elektromos biztonság



Ez a készülék kettősszigetelésű, ezért a földelés nem szükséges. Mindig ellenőrizze, hogy a hálózati feszültség megfelel-e a gép adattábláján feltüntetettnek!

- A készülék használatát fiataloknak, illetve képzetlen/tapasztalatlan felhasználók részére csak felügyelet mellett engedélyezze.
- Ha a hálózati kábel sérült, azonnal cseréltesse le egy Black & Decker szakszervizben.

Leírás

A készülék a következő jellemzőkkel rendelkezik:

1. Váloztatható sebességű üzemi kapcsoló
2. Tartósüzem rögzítő gomb
3. Forgásirányváltó kapcsoló
4. Üzem mód választó
5. Tokmány
6. Mélységütköző
7. Pótfogantyú

Összeszerelés

Figyelem! Mielőtt elkezdni a gép összeszerelését, győződjön meg arról, hogy a készülék ki van kapcsolva, és áramtalanítva van.

A pótfogantyú és a mélységütköző felszerelése (A ábra)

- Forgassa a markolatot az óramutató járásával ellentétes irányba, amíg rá tudja csúsztatni a pótfogantyút (7) a készülék elejére, az ábra szerint.
- Fordítsa a fogantyút a kívánt pozícióba.

- Helyezze be a mélységütközőt (6) a pótfogantyú erre kialakított furatába az F ábra szerint.
- Állítsa a mélységütközőt a kívánt pozícióba. A maximális fűrészmélység megfelel a fűrészsár hegye és a mélységütköző elülső vége közötti távolságnak.
- A markolat óramutató járásával egyező irányba való forgatásával szorítsa rá a fogantyút a gépre.

Fűrészsár vagy csavarozó hegy befogása

Gyorstokmány (csak CRE típusoknál) (B ábra)

- Nyissa ki a tokmányt úgy, hogy forgassa az egyik kezével a tokmány elülső részét (8), és közben a másik kezével tartsa a hátsó felét (9), amíg a tokmánypofák megfelelően kinyílnak.
- Helyezze be a fűrészsárat (10) a tokmányba és gondosan szorítsa meg a tokmányt.

Hagyományos fogas-koszorús tokmány (csak RE típusoknál) (C ábra)

- Nyissa ki a tokmányt úgy, hogy forgassa a perselyt (11) az óramutató járásával ellentétes irányba addig, amíg a tokmány kinyílik.
- Helyezze be a fűrészsárat (10) a tokmányba.
- Illesse be a tokmánykulcsot (12) a tokmány oldalán található minden lyukba (13) és szorítsa húzza meg az óramutató járásával megegyező irányba.

A fűrótokmány leszerelése és felszerelése (D ábra)

- Teljesen nyissa ki a tokmánypofákat.
 - Távolítsa el a tokmányrögzítő csavart, – mely a tokmányban helyezkedik el – úgy, hogy egy csavarhúzó segítségével forgassa a csavart az óramutató járásával megegyező irányba.
 - Szorítson a tokmányba egy imbuszkulcsot, és kalapáccsal mérjen gyenge ütésekkel rá, az ábra szerint.
 - Távolítsa el az imbuszkulcsot a tokmányból.
 - Csavarja le a tokmányt a tengelyről az óramutató járásával ellentétes irányba.
 - A tokmány felszereléséhez, csavarja a tokmányt a tengelyre és biztosítsa a tokmányrögzítő csavar segítségével.
- Figyelem!** Mindig bizonyosodjon meg róla, hogy a tokmány biztonságosan legyen felhelyezve.

A készülék használata

Figyelem! Hagyja a készüléket a saját tempójában dolgozni. Ne terhelje túl!

Figyelem! Mielőtt fúrási munkálatba kezdene (falazatba, padlózatba vagy plafonba) mindig ellenőrizze a vezetékek és csövek elhelyezkedését.

Forgásirány kiválasztása (E ábra)

Fúráshoz és csavarok behajtásához használjon előre (jobb) forgásirányt. Csavarok kihajtásához, vagy megszorult fúrószárok kilazításához, használjon vissza (bal) forgásirányt.

- Előre (jobb) forgáshoz nyomja a forgásirányváltó kapcsolót (3) középső pozícióba.
- Vissza (bal) forgáshoz nyomja a forgásirányváltó kapcsolót (3) balra.

Figyelem! Soha ne váltson forgásirányt járó motorú készüléken.

Üzem mód kiválasztása

- Közvet fúrásához állítsa az üzemmód választót (4) az útvefúrás **T** pozícióba.
- Más anyagokban történő fúráshoz és csavarozáshoz állítsa az üzemmód választót (4) a fúrás **1** pozícióba.

Fúrás mélység beállítása (F ábra)

- Lazítsa meg a pótfogantyút (7) úgy, hogy a markolatot az óramutató járásával ellentétes irányba forgatja.
- Állítsa be a mélységütközőt (6) a kívánt pozícióba. A maximális fúrás mélység megegyezik a fúrószár hegye és a mélységütköző elülső vége közötti távolsággal.
- Húzza meg a pótfogantyút úgy, hogy a markolatot az óramutató járásával megegyező irányba forgatja.

A készülék be- és kikapcsolása

- A készülék beindításához nyomja meg a változtatható sebességű üzemi kapcsolót (1). A kapcsoló behúzásának mértékével arányosan nő a fordulatszám. Általánosan elmondható, hogy nagy átmérőjű furatok készítéséhez alacsonyabb, kisebb átmérőjű furatok készítéséhez pedig magasabb fordulatszám szükséges.
- A folyamatos működéshez nyomja be a tartósüzem rögzítőgombot (2) és engedje el az üzemi kapcsolót. Ez az opció csak

teljes sebességnél működik. A folyamatos működtetés funkcióját vissza (bal) forgásiránynál nem működik.

- A készülék kikapcsolásához engedje el az üzemi kapcsolót. Ha tartósüzem használat közben kívánja a készüléket kikapcsolni, nyomja meg még egyszer az üzemi kapcsolót, majd engedje el.

Tartozékok

A készülék teljesítménye nagymértékben függ a felhasznált tartozékoktól. A Black & Decker és Piranha tartozékok magas minőség standardnak megfelelően vannak konstruálva és tervezésükkor a készülék teljesítményének optimalizálása volt a fő cél. A legjobb teljesítményt a fenti tartozékok felhasználásával érheti el.

Karbantartás

Az Ön készüléke minimális karbantartás mellett hosszú távú felhasználásra lett tervezve. A készülék folyamatos megfelelő működése nagymértékben függ az alapos ápolástól és a rendszeres tisztítástól.

Figyelem! Mielőtt bármilyen karbantartási munkához lát, győződjön meg arról, hogy a készülék ki van kapcsolva, és áramtalanítva van.

- Rendszeresen tisztítsa meg a készülék levegőresein egy puha, száraz ecsettel vagy ronggyal.
- Rendszeresen tisztítsa meg a motorházat egy enyhén nedves kendővel. Ne használjon karcot hagyó tisztítószert vagy oldószer bázisú anyagot.
- Akadályozza meg, hogy folyadék kerüljön a készülék belsejébe. Soha ne mártsa a készülék semelyik részét folyadékba.

Környezetvédelem



Elkülönített begyűjtés. Ezt a készüléket el kell különíteni a normál háztartási hulladéktól.

Egy napon, mikor készüléke eléri technikai élettartamának végét, vagy nincs további szüksége rá, gondoljon a környezetvédelemre. A terméket a normál háztartási hulladéktól elkülönítve kell megsemmisíteni.



Az elhasználdott termékek és csomagolások elkülönített begyűjtése lehetővé teszi, ezek újrahasznosítását. Újrahasznosított

vagy újra feldolgozott anyagok segítségével a környezetszennyezés, illetve a nyersanyagok iránti igény nagymértékben csökkenthető.

A helyi előírások rendelkezhetnek az elektromos készülékek háztartási hulladéktól elkülönített begyűjtéséről, helyhatósági hulladéklerakó helyeken vagy a kereskedők által új termék megvásárlásakor.

Black & Decker termékeire az élettartamuk lejártával visszavételi lehetőséget kínál. Ez a szolgáltatás ingyenes. Ha igénybe veszi ezt a szolgáltatást, kérjük, juttassa el készülékét a legközelebbi Black & Decker szervizbe, melyekről a Magyarországi Képviselőnél érdeklődhet.

A szervizzel kapcsolatosan a következő Internet oldalon is felvilágosítást kaphat: www.2helpU.com.

Műszaki adatok

		KR50RE	KR50CRE	AST1XC
Feszültség	V_{AC}	230	230	230
Felvett teljesítmény	W	500	500	500
Üresjárat fordulatszám	min^{-1}	0-2.800	0-2.800	0-2.800
Maximális fűráskapacitás				
Fém/Kőzet	mm	13	13	13
Fa	mm	20	20	20
Súly	kg	1,9	1,9	1,9

		KR52CRE	KR53CRE	KR55CRE
Feszültség	V_{AC}	230	230	230
Felvett teljesítmény	W	500	550	550
Üresjárat fordulatszám	min^{-1}	0-2.800	0-2.800	0-2.800
Maximális fűráskapacitás				
Fém/Kőzet	mm	13	13	13
Fa	mm	20	20	20
Súly	kg	1,9	1,9	1,9

EC-TANÚSÍTÁS

KR50RE/KR50CRE/AST1XC/ KR52CRE/ KR53CRE/KR55CRE

A Black & Decker tanúsítja, hogy ezek az elektromos szerszámok megfelelnek a következő irányelveknek és szabványoknak: 98/37/EC, 89/336/EEC, EN 55014, EN 60745, EN 61000.

Hangnyomásszint L_{PA} : 99 dB(A)

Hangteljesítmény szint L_{WA} : 110 dB(A)

Súlyozott effektív rezgésyorsulás 13,8 m/s^2

Hangnyomásszint toleranciafaktor K_{PA} : 3 dB(A)

Hangteljesítmény szint toleranciafaktor K_{WA} : 3 dB(A)



Kevin Hewitt

Director of Consumer Engineering

Spennymoor, County Durham DL16 6JG,

United Kingdom

1-5-2006

Garancia határozat

A következő meghibásodások esetén a garancia kizárt:

- Elhasználódott, illetve károsodott kések, és a hálózati kábel. Azok az alkatrészek, amelyek a normál használat során elkopnak.
- Azok a meghibásodások, amelyek a szakszerűtlen kezelésből eredtek.
- Azok a hibák, amelyek a kezelési útmutató be nem tartásából eredtek.

Kizárólag csak eredeti Black & Decker

tartozékok és alkatrészek alkalmazhatók.

Ellenkező esetben teljesítménycsökkenés

léphet fel, és a gép elveszti a garanciát. Ha

garanciális igénye van, feltétlenül mellékelje

a jótállási jegyet, és a vásárlási okmányokat

(számlát).

BLACK&DECKER

GARANCIÁLIS FELTÉTELEK

Gratulálunk Önnek ennek az értékes Black&Decker készülék megvásárlásához.

Azon termékeinkre, amelyet fogyasztói használat keretében háztartási, hobby célra vásárolnak **24 hónap jótállást biztosítunk.**

A termék iparszerű használatra nem alkalmas!

A jótállás a fogyasztó törvényből eredő jogait nem érinti.

1) **Black&Decker** kötelezettséget vállal arra, hogy a garanciális javításokat a **49/2003. (VII. 30.) GKM** és a **151/2003 (IX.22.) sz. Korm. rend. szerint** végzi.

- A fogyasztó jótállási igényét a jótállási jeggyel érvényesítheti, ezért azt őrizze meg.
- Vásárláskor az eladónak a garanciaakártyán fel kell tüntetnie a vásárlás időpontját, a termék típusát vagy termék kódját, a kereskedés nevét, címét pedig a jótállási jegyre rá kell bélyegezni. Ennek alapján szerez jogosultságot a vevő a garancia időn belüli ingyenes garanciális javításra.
- Jótállási javítást csak érvényes jótállási jegy alapján végezhetnek a kijelölt szervizek.
- A jótállási jegyen történt bármilyen javítás, törlés vagy átírás, valótlan adatok bejegyzése, a jótállási jegy érvénytelenségét vonja maga után.
- Elvesztett jótállási jegyet csak a vásárlási számla felmutatásával, térítés ellenében tudunk pótolni!
- A jótállási jegy szabálytalan kiállítása vagy a fogyasztó részére történő átadásának elmaradása nem érinti a jótállási kötelezettségvállalás érvényességét.

2) **Nem terjed ki a garancia:**

- Ha a hiba rendeltetésellenes használat, átalakítás, szakszerűtlen kezelés, helytelen tárolás, elemi kár vagy egyéb, vásárlás után keletkezett okból következett be. *(A rendeltetéssel ellentétes használat elkerülése céljából a termékhez magyar nyelvű vásárlói tájékoztatót mellékelünk és kérjük, hogy az abban foglaltakat saját érdekében tartsa be!)*
- Az olyan károsodásokra, amelyek a szerszámok iparszerű (professzionális), közületi, valamint kölcsönzési felhasználása miatt keletkeztek.
- Azon alkatrészekre, amelyeknél a meghibásodás garanciaidőn belül a helyes kezelés, karbantartás szerinti rendeltetészerű üzemeltetés mellett az alkatrészek természetes elhasználódása, kopása következtében állt elő. *(ezek a következők: megmunkáló szerszámok pl. vágószerszám, fűrészlánc, fűrészlap, gyalukés stb. továbbá: meghajtósíj, csapágó, szénkefe, csillagkerék kpl.)*
- A készülék túlterhelése miatt jelentkező hibákra, amelyek a hajtómű meghibásodásához, vagy egyéb ebből adódó károkhoz vezetnek.
- A termék nem hivatalos szervizben történt javításából eredő hibákra.
- Az olyan károsodásokra, amelyek nem eredeti Black&Decker kiegészítő készülékek és tartozékok használatából adódnak.

3) **A fogyasztó** a kijavítás iránti igényét a forgalmazónál, illetve a jótállási jegyen feltüntetett javítószolgálatnál érvényesítheti.

- Meghosszabbodik a jótállási idő a kijavítási idő azon részével, amely alatt a fogyasztó a terméket nem tudta rendeltetészerűen használni.
- A jótállási és szavatossági jogok érvényesíthetőségének határidején belül a terméknek vagy jelentősebb részének kicserélése (kijavítása) esetén a kicserélt (kijavított) termékre (termékrészre) 12 hónap jótállást biztosítunk. Ezek a következők: motor illetve állórész, forgórész, elektronika.
- Ha a fogyasztási cikk a vásárlástól (üzembe helyezéstől) számított három munkanapon belül meghibásodik, a fogyasztó kérheti annak kicserélését feltéve, hogy a meghibásodás a rendeltetészerű használatot akadályozza.
Ha a csere nem lenne lehetséges, műszakilag hasonló készülék kerül felajánlásra, vagy visszafizethető a vételár.

Amennyiben a hiba keletkezése, ténye, jellege, (pl. rendeltetésellenes használat, stb.) miatt vita merül fel, a Fogyasztó szakvéleményt kérhet a Fogyasztóvédelmi Főfelügyelőségtől. A szakvélemény térítésköteles és nem kötelező érvényű a Forgalmazó számára.

4) **Garanciális javítás esetén** a szerviznek a garanciaakártyán az alábbi adatokat kell feltüntetnie:

- a garanciális igény bejelentésének dátumát,
 - a hiba rövid leírását,
 - a javítás módját és időtartamát,
 - a készülék visszaadásának időpontját,
 - javítás időtartamával meg-hosszabbított új garanciaidőt.
- 5) **Arra törekszünk, hogy szervizhálózatunkon** keresztül kiváló javítószolgáltatást, zökkenőmentes alkatrészellátást, és széles tartozékpalaletát biztosítsunk.
- 6) **A fogyasztót a Polgári Törvénykönyvről szóló 1959. évi IV. törvény 306-310. §-aiban, valamint a 49/2003. (VII. 30.) GKM** rendeletben meghatározott jogok illetik meg.

Gyártó:	Importőr/ Forgalmazó:
Black&Decker GmbH	Erfaker Kft.
D – 65510 Idstein/Ts	1158. Budapest,
Black&Decker str. 40.	Késmárk u. 9.

Przeznaczenie

Opisywana wiertarka udarowa Black & Decker przeznaczona jest do wiercenia w drewnie, metalach, tworzywach sztucznych i murach oraz do wkręcania wkrętów.

Narzędzie przeznaczone jest wyłącznie do użytku amatorskiego.

Ogólne zasady bezpiecznej pracy

Uwaga! Uważnie przeczytaj całą instrukcję obsługi. Nie zastosowanie się do poniższych zaleceń może spowodować zagrożenie porażeniem prądem elektrycznym, pożarem i / lub poważnym uszkodzeniem ciała. Pojęcie „elektronarzędzie” używane we wszystkich poniższych ostrzeżeniach dotyczy elektronarzędzi zasilanych z sieci elektrycznej (przewodem zasilającym) oraz elektronarzędzi zasilanych akumulatorowo (bezprowadowych).
ZACHOWAJ INSTRUKCJĘ OBSŁUGI.

1. Miejsce pracy

- Utrzymuj miejsce pracy w czystości i dbaj o dobre oświetlenie.** Brak porządku i złe oświetlenie są częstą przyczyną wypadków.
- Nie używaj elektronarzędzi w strefach zagrożonych wybuchem, na przykład w pobliżu palnych cieczy, gazów lub pyłów.** Elektronarzędzia mogą wytworzyć iskry powodujące zapłon pyłów lub oparów.
- W czasie pracy elektronarzędziami nie pozwalaj na przebywanie w pobliżu dzieci i innych osób postronnych.** Brak skupienia może spowodować utratę kontroli nad narzędziem.

2. Ochrona przed porażeniem prądem elektrycznym

- Gniazdo musi być dostosowane do wtyczki elektronarzędzia. Nie wolno dokonywać przeróbek wtyczki. Nie wolno używać przejściówek do zasilania uziemionych elektronarzędzi.** Nie przerobione wtyczki i odpowiednie gniazda zmniejszają ryzyko porażenia prądem elektrycznym.
- Unikaj bezpośredniej styczności z powierzchniami uzienionymi lub zerowanymi (np. rurociągami, kaloryferami, kuchenkami i urządzeniami chłodniczymi).** Ryzyko porażenia prądem elektrycznym wzrasta, jeśli Twoje ciało jest zerwane lub uzienne.

- Nie narażaj elektronarzędzi na działanie deszczu lub zwiększonej wilgotności.** Woda wnikająca do wnętrza elektronarzędzia zwiększa ryzyko porażenia prądem elektrycznym.
 - Nie wolno ciągnąć za przewód zasilający. Nie podnoś, nie ciągnij i nie wyciągaj z gniazda wtyczki, poprzez ciągnięcie za przewód zasilający elektronarzędzia. Chroni przewód zasilający przed kontaktem z gorącymi elementami, olejami, ostrymi krawędziami i ruchomymi częściami.** Uszkodzenie lub zaplątanie przewodu zasilającego zwiększa ryzyko porażenia prądem elektrycznym.
 - W czasie pracy elektronarzędziem na wolnym powietrzu należy używać przedłużacza przeznaczonego do stosowania poza pomieszczeniami zamkniętymi.** Użycie przewodu zasilającego przeznaczonego do stosowania poza pomieszczeniami zamkniętymi zmniejsza ryzyko porażenia prądem elektrycznym.
- ### 3. Środki ochrony osobistej
- W czasie pracy elektronarzędziem zachowaj czujność, patrz uważnie i kieruj się zdrowym rozsądkiem. Nie używaj elektronarzędzi, jeśli jesteś zmęczony, pod wpływem narkotyków, alkoholu czy leków.** Nawet chwila nieuwagi, w czasie pracy elektronarzędziem, może doprowadzić do poważnego uszkodzenia ciała.
 - Używaj sprzętu ochrony osobistej. Zawsze zakładaj okulary ochronne.** Stosowanie odpowiedniego do sytuacji sprzętu ochrony osobistej takiego, jak maska przeciwpyłowa, buty z podeszwą antypoślizgową, helm ochronny lub ochrona słuchu, zmniejsza ryzyko uszkodzenia ciała.
 - Unikaj przypadkowego włączenia. Przed włożeniem wtyczki do gniazda upewnij się, że wyłącznik jest w pozycji „wyłączone”.** Trzymanie palca na wyłączniku w czasie przenoszenia elektronarzędzia oraz wkładanie wtyczki do gniazda, gdy przełącznik jest wciśnięty, zwiększa ryzyko uszkodzenia ciała.
 - Przed uruchomieniem narzędzia usuń wszelkie klucze i narzędzia do regulacji.** Pozostawienie klucza lub narzędzia do regulacji połączonego z częściami wirującymi elektronarzędzia może spowodować uszkodzenie ciała.

- e. **Zachowaj stabilną postawę. Przyjmij stabilną pozycję tak, aby zawsze zachowywać równowagę.** Umożliwia to lepszą kontrolę nad pracą urządzenia w nagłych sytuacjach.
- f. **Założ odpowiedni strój. Nie zakładaj luźnych ubrań i biżuterii. Nie dopuszczaj włosów, ubrania i rękawic do kontaktu z częściami wirującymi.** Luźne ubranie, biżuteria lub długie włosy mogą zostać pochwycone przez ruchome części.
- g. **Jeśli sprzęt jest przystosowany do przyłączenia urządzeń odprowadzających i zbierających pył, upewnij się, czy są one przyłączone i właściwie użytkowane.** Użycie takich urządzeń może zmniejszyć niebezpieczeństwa wynikające z obecności pyłów.
4. **Obsługa i konserwacja elektronarzędzi**
- a. **Nie wolno przeciążać elektronarzędzi. Zawsze używaj elektronarzędzi odpowiednich dla danego zastosowania.** Dzięki odpowiednim elektronarzędziom wykonasz pracę lepiej i w sposób bezpieczny, w tempie, do jakiego narzędzie zostało zaprojektowane.
- b. **Nie wolno używać elektronarzędzi z zepsutym wyłącznikiem, który nie pozwala na sprawne włączanie i wyłączanie.** Elektronarzędzie, którego pracy nie można kontrolować wyłącznikiem stanowi zagrożenie i musi zostać naprawione.
- c. **Przed wykonaniem regulacji, wymiany osprzętu czy spakowaniem elektronarzędzia, należy odłączyć wtyczkę od źródła zasilania.** Stosowanie takich środków zapobiegawczych zwiększa bezpieczeństwo i zmniejsza ryzyko przypadkowego uruchomienia elektronarzędzia.
- d. **Nie używane elektronarzędzie przechowuj poza zasięgiem dzieci i nie dopuszczaj osób nie znających elektronarzędzia lub tej instrukcji do posługiwania się elektronarzędziem.** Elektronarzędzia obsługiwane przez osoby nieprzygotowane stanowią zagrożenie.
- e. **Regularnie dokonuj konserwacji elektronarzędzi. Sprawdź, czy ruchome części są właściwie połączone i zamocowane, czy części nie są uszkodzone oraz skontroluj wszelkie inne elementy mogące mieć wpływ na pracę elektronarzędzia. Wszelkie uszkodzenia należy naprawić przed rozpoczęciem pracy.** Wiele wypadków spowodowanych jest przez niedostateczną konserwację elektronarzędzi.
- f. **Dbaj o czystość narzędzi i ostrość elementów tnących.** Zadbane narzędzia tnące, z ostrymi krawędziami tnącymi rzadziej się zacinają i są łatwiejsze w prowadzeniu.
- g. **Używaj elektronarzędzi, osprzętu, końcówek itp. zgodnie z zaleceniami instrukcji obsługi oraz z przeznaczeniem danego typu narzędzia, uwzględniając warunki i rodzaj wykonywanej pracy.** Używanie elektronarzędzia niezgodnie z przeznaczeniem jest niebezpieczne.
5. **Naprawy**
- a. **Powierzaj naprawy elektronarzędzi wyłącznie osobom wykwalifikowanym, używającym identycznych części zamiennych.** Zapewni to bezpieczeństwo użytkowania naprawionego urządzenia.
- Dodatkowe wskazówki dotyczące bezpiecznego użytkowania wiertarek udarowych**
- **W czasie pracy wiertarką udarową należy nosić okulary ochronne.** Ekspozycja na hałas może powodować utratę słuchu.
 - **Używaj dostarczonych razem z narzędziem dodatkowych rękojeści.** Utrata kontroli nad narzędziem może spowodować uszkodzenie ciała.
 - **Trzymaj elektronarzędzie tylko za izolowane uchwyty, jeśli wykonujesz pracę w miejscu, gdzie może dojść do zetknięcia z ukrytymi przewodami lub przewodem zasilającym elektronarzędzia.** Zetknięcie z przewodem fazowym może spowodować pojawienie się napięcia na obudowie i porażenie prądem operatora narzędzia.
 - **Używaj zacisków lub innego wygodnego sposobu unieruchomienia i podparcia obrabianego elementu.** Trzymanie rękami obrabianego elementu lub oparcie o własne ciało nie daje dostatecznej stabilizacji i może spowodować utratę kontroli nad narzędziem.
 - **Przed rozpoczęciem wiercenia w ścianach, podłodze czy suficie ustal położenie przewodów i rur.**
 - **Bezpośrednio po wierceniu unikaj dotykania czubka wiertła, ponieważ może być ono bardzo rozgrzane.**

Ochrona przed porażeniem prądem elektrycznym



Opisywane elektronarzędzie jest podwójnie izolowane; dlatego nie ma konieczności stosowania dodatkowego uziemienia. Zawsze należy upewnić się, czy napięcie sieci zasilającej jest zgodne z napięciem podanym na tabliczce znamionowej.

- Opisywane urządzenie nie może być samodzielnie użytkowane przez osoby zbyt młode lub niewystarczająco silne. Nie wolno dopuszczać dzieci do zabawy elektronarzędziem.
- Ze względów bezpieczeństwa, wymiany uszkodzonego przewodu zasilającego powinien dokonywać producent lub Autoryzowany Serwis Black & Decker.

Wyposażenie

Opisywane narzędzie składa się z kilku lub wszystkich z poniższych elementów.

1. Wylłącznik z regulacją prędkości obrotowej
2. Przycisk blokady wylłącznika
3. Przelącznik lewych / prawych obrotów
4. Przelącznik trybu pracy
5. Uchwyt
6. Ogranicznik głębokości wiercenia
7. Dodatkowa rękojeść

Montaż

Uwaga! Przed rozpoczęciem montażu upewnić się, czy narzędzie jest wylłączone i wtyczka zasilająca jest odłączona.

Montaż dodatkowej rękojeści i ogranicznika głębokości wiercenia (Rys. A)

- Obracać zacisk przeciwnie do wskazówek zegara aż do momentu, gdy możliwe będzie nasadzenie uchwytu (7) na przednią część wiertarki, jak na rysunku.
- Ustawić rękojeść w żądanej pozycji.
- Wsunąć ogranicznik głębokości wiercenia (6) do otworu, jak na rysunku.
- Nastawić żadaną głębokość wiercenia postępując zgodnie z poniższym opisem.
- Zamocować dodatkową rękojeść obracając uchwyt zgodnie z ruchem wskazówek zegara.

Montaż wiertła lub końcówki wkrętarki

Uchwyt bezkluczykowy (Rys. B)

- Otworzyć uchwyt odkręcając przednią część (8) i jednocześnie trzymając drugą ręką część tylną (9).

- Wsunąć trzonek wiertła (10) w uchwyt i mocno zacisnąć uchwyt.

Uchwyt kluczykowy (Rys. C)

- Rozchylić uchwyt poprzez obracanie pierścienia (11) przeciwnie do ruchu wskazówek zegara.
- Wsunąć trzonek wiertła (10) w uchwyt.
- Kolejno wsuwać kluczyk wiertarski (12) w otwory z boku uchwytu (13) i zacisnąć uchwyt dokręcając zgodnie z ruchem wskazówek zegara.

Demontaż i wymiana uchwytu (Rys. D)

- Maksymalnie otworzyć uchwyt.
- Odkręcić śrubokrętem zgodnie z ruchem wskazówek zegara śrubę blokującą uchwyt.
- Wsunąć klucz sześciokątny do uchwytu i uderzyć młotkiem, jak pokazano na rysunku.
- Wyjąć klucz sześciokątny.
- Zdjąć uchwyt odkręcając go przeciwnie do ruchu wskazówek zegara.
- Aby zamontować uchwyt, należy nakręcić go na wrzeciono i zabezpieczyć śrubą mocującą.

Eksploatacja

Uwaga! Uwzględnij tempo pracy urządzenia. Nie przeciążaj narzędzia.

Uwaga! Przed rozpoczęciem wiercenia w ścianach, podłodze czy suficie, ustal położenie przewodów i rur.

Wybór kierunku obrotów (Rys. E)

Do wiercenia i wkręcania wkrętów, należy ustawić prawe obroty (zgodnie z ruchem wskazówek zegara). Do odkręcania wkrętów i uwalniania zaklinowanego wiertła, należy ustawić lewe obroty (przeciwnie do ruchu wskazówek zegara).

- Aby nastawić prawe obroty, należy ustawić suwak przelącznika lewych / prawych obrotów (3) w pozycji środkowej.
- Aby nastawić lewe obroty, należy przesunąć suwak przelącznika lewych / prawych obrotów w lewo.

Uwaga! Nie wolno przelączzać kierunku obrotów w czasie pracy silnika.

Wlączanie udaru

- Do wiercenia w murach, należy ustawić przelącznik trybu pracy (4) w pozycji **T**.
- Do wiercenia w innych materiałach i przykręcania śrub, należy ustawić przelącznik trybu pracy w pozycji **1**.

Nastawianie głębokości wiercenia (Rys. F)

- Poluzować dodatkową rękojeść (7) obracając uchwyt przeciwnie do ruchu wskazówek zegara.
- Ustawić ogranicznik głębokości wiercenia (6) w żądanej pozycji. Maksymalna głębokość wiercenia równa jest odległości pomiędzy czubkiem wiertła a przednim końcem ogranicznika głębokości wiercenia.
- Zamocować dodatkową rękojeść obracając uchwyt zgodnie z ruchem wskazówek zegara.

Włączanie i wyłączanie

- Aby włączyć narzędzie, należy nacisnąć wyłącznik z regulacją obrotów (1). Prędkość obrotowa zależy od głębokości wciśnięcia przycisku. Ogólna zasada mówi, że przy wiertłach o dużej średnicy stosuje się niskie prędkości obrotowe, a dla mniejszych średnic wiertła wyższe prędkości obrotowe.
- Praca ciągła możliwa jest po wciśnięciu przycisku blokady wyłącznika (2) i zwolnieniu wyłącznika z regulacją obrotów. Jest to możliwe tylko przy pełnej prędkości obrotowej. Nie ma możliwości włączenia trybu pracy ciągłej przy ustawieniu lewych obrotów.
- Aby wyłączyć narzędzie, należy zwolnić wyłącznik z regulacją obrotów. Aby wyłączyć narzędzie przy włączonym trybie pracy ciągłej, należy powtórnie nacisnąć i następnie zwolnić wyłącznik z regulacją prędkości obrotowej.

Akcesoria

Wydajność narzędzia zależy od użytego osprzętu. Osprzęt Black & Decker i Piranha został wykonany z zachowaniem wysokich standardów jakości i zaprojektowany tak, aby podnieść wydajność narzędzia. Używając tych akcesoriów maksymalnie wykorzystasz możliwości swojego narzędzia.

Konserwacja

Elektronarzędzia Black & Decker zostały zaprojektowane tak, aby zapewnić długoletnią, prawie bezobsługową pracę urządzenia. Aby długo cieszyć się właściwą pracą urządzenia, należy odpowiednio z nim postępować i regularnie je czyścić.

Uwaga! Przed wykonywaniem jakichkolwiek czynności konserwacyjnych wyłączyć narzędzie i wyjąć wtyczkę z gniazda.

- Regularnie czyścić otwory wentylacyjne przy użyciu miękkiej szczotki albo suchej ściereczki.
- Regularnie czyścić obudowę przy użyciu wilgotnej ściereczki. Nie używać preparatów do szorowania i zawierających rozpuszczalniki.

Ochrona środowiska



Selektywna zbiórka odpadów.

Opisywanego produktu nie wolno utylizować razem ze zwykłymi śmieciami z gospodarstw domowych.

Gdy okaże się, że konieczna jest wymiana posiadanego narzędzia Black & Decker lub nie będzie się go więcej używać, nie należy wyrzucać go razem ze śmieciami z gospodarstwa domowego. Należy przekazać produkt do punktu selektywnej zbiórki odpadów.



Selektywna zbiórka zużytych produktów i opakowań pozwala na powtórne wykorzystanie użytych materiałów. Powtórne użycie materiałów pomaga chronić środowisko naturalne przed zanieczyszczeniem i zmniejsza zapotrzebowanie na surowce.

Lokalne prawodawstwo może zapewniać możliwość selektywnej zbiórki zużytych sprzętów elektrycznych, poprzez pozostawienie ich w punktach na miejskich wysypiskach śmieci lub u sprzedawcy, przy zakupie nowego sprzętu.

Black & Decker zapewnia możliwość zbiórki i recyklingu swoich produktów po zakończeniu okresu eksploatacji. Aby skorzystać z tej możliwości, prosimy zwrócić się do jednego z Autoryzowanych Przedstawicieli Serwisowych.

Lista Autoryzowanych Przedstawicieli Serwisowych Black & Decker oraz inne informacje na temat naszego serwisu posprzedażnego dostępne są na stronie internetowej: www.2helpU.com

Dane techniczne

		KR50RE	KR50CRE	AST1XC
Napięcie zasilania	V_{AC}	230	230	230
Moc elektryczna	W	500	500	500
Prędkość bez obciążenia	min^{-1}	0-2,800	0-2,800	0-2,800
Maksymalna średnica wiercenia				
Stal / beton	mm	13	13	13
Drewno	mm	20	20	20
Waga	kg	1.9	1.9	1.9

		KR52CRE	KR53CRE	KR55CRE
Napięcie zasilania	V_{AC}	230	230	230
Moc elektryczna	W	500	550	550
Prędkość bez obciążenia	min^{-1}	0-2,800	0-2,800	0-2,800
Maksymalna średnica wiercenia				
Stal / beton	mm	13	13	13
Drewno	mm	20	20	20
Waga	kg	1.9	1.9	1.9

Deklaracja zgodności UE

KR50RE/KR50CRE/AST1XC/KR52CRE/
KR53CRE/KR55CRE

Firma Black & Decker oświadcza, że wymienione produkty spełniają normy: 98/37/EC, 89/336/EEC, EN 55014, EN 60745, EN 61000

L_{pA} (ciśnienie akustyczne) 99 dB(A),
 L_{WA} (moc akustyczna) 110 dB(A),
wibracje działające na ręce / ramiona 13,8 m/s²

K_{pA} (wahanie ciśnienia akustycznego) 3 dB(A),
 K_{WA} (wahanie mocy akustycznej) 3 dB(A)



Kevin Hewitt
Dyrektor Techniczny
Black&Decker
Spennymoor, County Durham DL16 6JG,
Wielka Brytania
1-5-2006

Black&Decker**Warunki gwarancji:**

Gwarantujemy sprawne działanie produktu, zgodnie z warunkami techniczno-eksploatacyjnymi opisanymi w instrukcji obsługi. Niniejszą gwarancją nie jest objęte wyposażenie takie, jak: szczotki, tarcze piłarskie, tarcze ściernie, wiertła i inne akcesoria, jeżeli nie została do nich dołączona oddzielna karta gwarancyjna oraz elementy podlegające naturalnemu zużyciu.

1. Niniejszą gwarancją objęte są usterki produktu spowodowane wadami produkcyjnymi i wadami materiałowymi.
2. Niniejsza gwarancja jest ważna po przedstawieniu przez Klienta w Centralnym Serwisie Gwarancyjnym reklamowanego produktu oraz łącznie:
 - a) poprawnie wypełnionej karty gwarancyjnej;
 - b) ważnego paragonu zakupu z datą sprzedaży taką, jak w karcie gwarancyjnej lub kopii faktury.
3. Gwarancja obejmuje bezpłatną naprawę urządzenia (wraz z bezpłatną wymianą uszkodzonych części) w okresie 24 miesięcy od daty zakupu.
4. Produkt reklamowany musi być:
 - a) dostarczony bezpośrednio do Centralnego Serwisu Gwarancyjnego wraz z poprawnie wypełnioną Kartą Gwarancyjną i ważnym paragonem zakupu (lub kopią faktury) oraz szczegółowym opisem uszkodzenia, lub
 - b) przesłany do Centralnego Serwisu Gwarancyjnego za pośrednictwem punktu sprzedaży wraz z dokumentami wymienionymi powyżej.
5. Koszty wysyłki do Centralnego Serwisu Gwarancyjnego ponosi Black&Decker. Wszelkie koszty związane z zapewnieniem bezpiecznego opakowania, ubezpieczeniem i innym ryzykiem ponosi Klient. W przypadku odrzucenia roszczenia gwarancyjnego, produkt jest odsyłany do miejsca nadania na koszt adresata.
6. Usterki ujawnione w okresie gwarancji będą usunięte przez Centralny Serwis Gwarancyjny w terminie:
 - a) 14 dni roboczych od daty przyjęcia produktu przez Centralny Serwis Gwarancyjny;
 - b) termin usunięcia wady (punkt 6 a) może być wydłużony o czas niezbędny do importu niezbędnych części zamiennych;
7. Klient otrzyma nowy sprzęt, jeżeli:
 - a) Centralny Serwis Gwarancyjny stwierdzi na piśmie, że usunięcie wady jest niemożliwe;
 - b) produkt nie podlega naprawie, tylko wymianie bez dokonywania naprawy.
8. O ile taki sam produkt jest nieosiągalny, może być wydany nowy produkt o niegorszych parametrach.
9. Decyzja Centralnego Serwisu Gwarancyjnego odnośnie zasadności zgłaszanych usterek jest decyzją ostateczną.
10. Gwarancją nie są objęte:
 - a) wadliwe działanie lub uszkodzenia spowodowane niewłaściwym użytkowaniem lub używaniem produktu niezgodnie z przeznaczeniem, instrukcją obsługi lub przepisami bezpieczeństwa. W szczególności profesjonalne użytkowanie amatorskich narzędzi Black&Decker powoduje utratę gwarancji;
 - b) wadliwe działanie lub uszkodzenia spowodowane przeciążaniem narzędzia, które prowadzi do uszkodzeń silnika, przekładni lub innych elementów a także stosowaniem osprzętu innego niż zalecany przez Black&Decker;
 - c) mechaniczne uszkodzenia produktu i wywołane nimi wady;
 - d) wadliwe działanie lub uszkodzenia na skutek działania pożaru, powodzi, czy też innych klęsk żywiołowych, nieprzewidzianych wypadków, korozji, normalnego zużycia w eksploatacji czy też innych czynników zewnętrznych;
 - e) produkty, w których naruszone zostały plombi gwarancyjne lub, które były naprawiane poza Centralnym Serwisem Gwarancyjnym lub były przerabiane w jakikolwiek sposób;
 - f) osprzęt eksploatacyjny dołączony do urządzenia, taki jak: wiertła, tarcze piłarskie, tarcze szlifierskie, końcówki wkręcające, noże strugarskie, brzeszczoty, papier ścierny, paski napędowe i inne elementy ulegające naturalnemu zużyciu.
11. Centralny Serwis Gwarancyjny, firmy handlowe, które sprzedały produkt, nie udzielają upoważnień ani gwarancji innych niż określone w karcie gwarancyjnej. W szczególności nie obejmują prawa klienta do domagania się zwrotu utraconych zysków w związku z uszkodzeniem produktu.
12. Gwarancja nie wyłącza, nie ogranicza ani nie zawiesza uprawnień kupującego wynikających z niezgodności towaru z umową.

Centralny Serwis Gwarancyjny ERPATECH
 ul. Obozowa 61, 01-418 Warszawa
 tel.: (22) 862-08-08, fax: (22) 862-08-09

Použitie výrobku

Vaša príklepová vŕtačka Black & Decker je určená na vrútenie do dreva, kovu, plastov a muriva a tiež na skrutkovanie.

Tento výrobok je určený len na spotrebiteľské použitie.

Bezpečnostné predpisy

Pozor! Prečítajte si všetky pokyny. Nedodržanie nižšie uvedených pokynov môže mať za následok úraz elektrickým prúdom, vznik požiaru alebo vážne poranenie. Označenie „elektrické náradie“ vo všetkých nižšie uvedených upozorneniach odkazuje na Vaše náradie napájané zo siete (s prírodným káblom) alebo náradie napájané batériami (bez prírodného kábla).
USCHOVAJTE TIETO POKYNY.

1. Pracovné prostredie

- Udržujte pracovný priestor čistý a dobre osvetlený.** Neporiadok na pracovnom stole a nedostatok svetla v jeho okolí môže viesť k spôsobeniu nehody.
- S elektrickým náradím nepracujte vo výbušných prostrediach, ako sú napríklad priestory, v ktorých sa vyskytujú horľavé kvapaliny, plyny alebo prašné látky.** Elektrické náradie je zdrojom iskrenia, ktoré môže zapáliť prach alebo výpary.
- Pri práci s elektrickým náradím dbajte na to, aby sa do jeho blízkosti nedostali deti a okolo stojace osoby.** Rozptyľovanie môže spôsobiť stratu kontroly nad náradím.

2. Elektrická bezpečnosť

- Zástrčka prírodného kábla náradia musí zodpovedať zásuvke. Nikdy akýmkoľvek spôsobom zástrčku neupravujte. Pri náradí, ktoré je chránené uzemnením nepoužívajte akékoľvek redukcie zástrčiek.** Neupravené zástrčky a zodpovedajúce zásuvky znižujú riziko vzniku úrazu elektrickým prúdom.
- Nedotýkajte sa uzemnených povrchov, ako sú napr. potrubia, radiátory, sporáky a chladničky.** Pri uzemnení Vášho tela hrozí zvýšené nebezpečenstvo úrazu elektrickým prúdom.
- Náradie nevystavujte dažďu ani vlhkému prostrediu.** Ak do náradia vnikne voda, zvýši sa riziko úrazu elektrickým prúdom.
- S prírodným káblom zaobchádzajte opatrne. Nepoužívajte prírodný kábel na prenášanie náradia, ťahanie alebo**

vyťahovanie zástrčky zo zásuvky. Prírodný kábel držte mimo dosahu tepelných zdrojov, oleja, ostrých hrán alebo pohyblivých častí. Poškodené alebo spletené káble zvyšujú riziko úrazu elektrickým prúdom.

- Pokiaľ s náradím pracujete vo vonkajšom prostredí, používajte predlžovací kábel určený do vonkajšieho prostredia.** Práca s predlžovacím káblom na vonkajšie použitie znižuje riziko vzniku úrazu elektrickým prúdom.
- Bezpečnosť obsluhy**
 - Zostaňte stále pozorní, sledujte, čo robíte a pri práci s elektrickým náradím premýšľajte. S náradím nepracujte, pokiaľ ste unavení alebo pokiaľ ste pod vplyvom omamných látok, alkoholu alebo liekov.** Chvilková nepozornosť pri práci s elektrickým náradím môže mať za následok vážne zranenie.
 - Používajte prostriedky na ochranu bezpečnosti. Vždy používajte prostriedky na ochranu zraku.** Bezpečnostná výbava ako je respirátor, nekľzáva bezpečnostná obuv, pevná prilba alebo ochranné slúchadlá použitá v zodpovedajúcich podmienkach znižuje riziko úrazu.
 - Zabráňte náhodnému zapnutiu. Pred tým, ako náradie pripojíte do elektrickej zásuvky, zabezpečte, aby bol hlavný vypínač vo vypnutej polohe.** Prenášanie náradia s prstom na hlavnom vypínači alebo pripojenie prírodného kábla k elektrickému rozvodu, ak je hlavný vypínač náradia v polohe zapnuté, môže spôsobiť úraz.
 - Pred spustením náradia sa vždy uistite, či nie sú v jeho blízkosti kľúče alebo nastavovacie prípravky.** Kľúče alebo nastavovacie prípravky zabudnuté na pohyblivých častiach náradia môžu spôsobiť úraz.
 - Neprekážajte sami sebe. Pri práci vždy udržiavajte vhodný a pevný postoj.** To umožní lepšiu ovládateľnosť náradia v neočakávaných situáciách.
 - Vhodne sa obliekajte. Nenoste voľný odev alebo šperky. Vaše vlasy, odev a rukavice držte mimo dosahu pohyblivých častí.** Voľné šaty, šperky alebo dlhé vlasy môžu byť pohyblivými dielmi zachytené.
 - Pokiaľ je zariadenie vybavené adaptérom na pripojenie zariadení na zachytávanie prachu, zaistíte jeho správne pripojenie**

a riadne fungovanie. Použitie týchto zariadení môže znížiť nebezpečenstvo týkajúce sa prachu.

4. Použitie elektrického náradia a jeho údržba

- a. Náradie nepreťažujte. Pre konkrétne aplikácie používajte vhodné náradie.** Pri použití správneho typu náradia bude práca vykonaná lepšie a bezpečnejšie.
- b. Pokiaľ nejde hlavný vypínač náradia zapnúť a vypnúť, s náradím nepracujte.** Akékoľvek elektrické náradie s nefunkčným hlavným vypínačom je nebezpečné a musí byť opravené.
- c. Pred prevádzkaním akéhokoľvek nastavenia, pred výmenou príslušenstva alebo pred uložením náradia vždy odpojte kábel od zásuvky.** Tieto preventívne bezpečnostné opatrenia znižujú riziko náhodného spustenia náradia.
- d. Pokiaľ náradie nepoužívate, uložte ho mimo dosahu detí a zabráňte osobám neoboznámeným s obsluhou náradia alebo s týmto návodom, aby s náradím pracovali.** Elektrické náradie je v rukách nekvalifikovanej obsluhy nebezpečné.
- e. Údržba elektrického náradia. Skontrolujte, či náradie nemá vychýlené alebo rozpojené pohyblivé časti, zlomené diely alebo akúkoľvek inú poruchu, ktorá môže mať vplyv na jeho správny chod. Pokiaľ je náradie poškodené, nechajte ho opraviť.** Veľa nehôd je spôsobených nedostatočnou údržbou náradia.
- f. Rezné nástroje udržiavajte ostré a čisté.** Riadne udržiavané rezné nástroje s ostrými reznými britmi sú menej náchylné na zanášanie nečistotami a lepšie sa s nimi manipuluje.
- g. Používajte elektrické náradie, príslušenstvo a pracovné nástroje podľa tu uvedených pokynov a spôsobom, ktorý je určený pre každý jednotlivý typ elektrického náradia. Vždy berte do úvahy pracovné podmienky a typ práce, ktorú budete vykonávať.** Použitie náradia na iné účely, než na ktoré je určené, môže byť nebezpečné.

5. Servis

- a. Zverte opravu vášho náradia iba osobe s príslušnou kvalifikáciou, ktorá bude používať výhradne originálne náhradné diely.** Tým bude zaistená bezpečnosť chodu náradia.

Doplňujúce bezpečnostné pokyny pre príklepové vrtačky

- **Pri vŕtaní s príklepom použite vhodnú ochranu sluchu.** Nadmerná hlučnosť môže spôsobiť stratu sluchu.
- **Používajte prídavné rukoväte dodávané s náradím.** Strata kontroly nad náradím môže viesť k úrazu.
- **Pri vykonávaní akýchkoľvek prác, kedy môže prísť ku kontaktu vrtačky so skrytým elektrickým vedením alebo vlastným prírodným káblom, náradie držte za izolovanú rukoväť.** Pri kontakte s vodičom pod prúdom sa nechránené kovové časti náradia stanú vodič a obsluha tak utrpí zásah elektrickým prúdom.
- **Obrobok si k pevnej podložke upnite pomocou svoriek či iným vhodným spôsobom.** Prichytenie obrobku rukou alebo k telu je nestabilné a môže viesť k strate kontroly.
- **Pred vŕtaním do stien, podláh alebo stropov zistite polohu elektrických vedení a vodovodných, plynových alebo iných potrubí.**
- **Ľneď po dokončení vŕtania sa nedotýkajte špice vrtačky, môže byť horúca.**

Elektrická bezpečnosť



Toto náradie je chránené dvojitoú izoláciou; z tohto dôvodu nie je nutná ochrana uzemnením. Vždy skontrolujte, či sieťové napätie vyhovuje napätiu uvedenému na typovom štítku náradia.

- Toto náradie nie je určené na použitie pre mládež alebo nedospelé osoby bez dozoru. Deti musia byť pod dozorom, aby sa s náradím nehrali.
- Poškodený kábel musí byť bezpečne vymenený výrobcom alebo autorizovaným servisným zástupcom firmy Black & Decker.

Popis

Toto náradie sa skladá z niektorých alebo so všetkých nasledujúcich častí.

1. Vypínač s reguláciou otáčok
2. Zaisťovacie tlačidlo
3. Prepínač praveho a ľavého chodu
4. Volič režimu vŕtania
5. Skľučovadlo
6. Hĺbkový doraz
7. Bočná rukoväť

Nastavenie

Pozor! Pred montážou sa uistite, či je náradie vypnuté a či je prívodný kábel odpojený od zásuvky.

Upevnenie bočnej rukoväte a hĺbkového dorazu (obr. A)

- Otáčajte držadlom proti smeru pohybu hodinových ručičiek, až sa dá bočná rukoväť (7) nasunúť na prednú časť náradia podľa obrázku.
- Otočte bočnú rukoväť do požadovanej polohy.
- Zasuňte hĺbkový doraz (6) do otvoru podľa obrázku.
- Nastavte hĺbku vrtania tak, ako je popísané nižšie.
- Dotiahnite bočnú rukoväť otáčaním držadla v smere pohybu hodinových ručičiek.

Uchytenie vrtáku alebo skrutkovacieho nástavca

Rýchlopínacie skľučovadlo (obr. B)

- Roztvorte skľučovadlo tak, že jednou rukou budete otáčať prednou časťou (8) a druhou rukou budete pridržať zadnú časť (9).
- Do skľučovadla zasuňte driek nástavca (10) a skľučovadlo pevne dotiahnite.

Skľučovadlo na kľúčik (obr. C)

- Otvorte skľučovadlo otáčaním vonkajšieho prstenca hlavy (11) proti smeru pohybu hodinových ručičiek.
- Vložte nástroj (10) do skľučovadla.
- Kľúč skľučovadla (12) vložte do ľubovoľného otvoru (13) na bočnej strane skľučovadla a otáčaním v smere hodinových ručičiek ho dotiahnite.

Vybratie a nasadenie skľučovadla (obr. D)

- Roztvorte čefuste skľučovadla čo najviac.
- Odskrutkujte v smere pohybu hodinových ručičiek prídružnú skrutku skľučovadla umiestnenú vnútri.
- Do skľučovadla upnite imbusový kľúč a udríte doňho kladivom tak, ako je znázornené na obrázku.
- Imbusový kľúč vyberte.
- Otáčaním proti smeru pohybu hodinových ručičiek skľučovadlo vyskrutkujte.
- Skľučovadlo nasadíte späť tak, že ho naskrutkujete na hriadeľ a zaistíte prídružnou skrutkou.

Použitie

Pozor! Nechajte náradie pracovať jeho vlastným tempom. Zamedzte preťažovaniu náradia.

Pozor! Pred vrtaním do stien, podláh alebo stropov zistite polohu elektrických vedení a vodovodných, plynových alebo iných potrubí.

Voľba smeru otáčania (obr. E)

Pri vrtaní a ťahovaní skrutiek nastavte pravý chod (otáčanie v smere hodinových ručičiek). Pri uvoľňovaní skrutiek a uvoľňovaní zaseknutého vrtáku použite ľavý chod (otáčanie proti smeru hodinových ručičiek).

- Ak chcete zvoliť pravý chod, zatlačte spínač pre voľbu chodu (3) do stredovej polohy.
- Ak chcete zvoliť ľavý chod, zatlačte spínač pre voľbu chodu (3) smerom doľava.

Pozor! Nikdy nemeňte smer otáčania za chodu motora.

Voľba pracovného režimu

- Pre vrtanie do muriva prepnete volič režimu vrtania (4) do polohy **T**.
- Pre vrtanie do ostatných materiálov a skrutkovanie nastavte volič režimu do polohy **1**.

Nastavenie hĺbky vrtania (obr. F)

- Otáčaním proti smeru pohybu hodinových ručičiek uvoľníte bočnú rukoväť (7).
- Nastavte hĺbkový doraz (6) do požadovanej polohy. Maximálna hĺbka vrtania zodpovedá vzdialenosti medzi špičkou vrtáku a predným koncom hĺbkového dorazu.
- Dotiahnite bočnú rukoväť otáčaním držadla v smere pohybu hodinových ručičiek.

Zapnutie a vypnutie

- Náradie zapnete stisnutím vypínača s reguláciou otáčok (1). Otáčky náradia závisia na intenzite stlačenia tohto spínača. Všeobecne používajte nižšie otáčky pre väčšie priemery vrtákov a vyššie otáčky pre menšie priemery.
- Pre plynulý chod stisnite zaistovacie tlačidlo (2) a uvoľníte vypínač s reguláciou otáčok. Táto funkcia je k dispozícii iba pri plných otáčkach. Táto funkcia nepracuje v ľavom chode.
- Náradie vypnete tak, že uvoľníte stlačenie hlavného vypínača s reguláciou otáčok. Ak chcete náradie z plynulého chodu vypnúť, stisnite opäť vypínač s reguláciou otáčok a uvoľníte ho.

Príslušenstvo

Výkon Vášho náradia závisí tiež od používaného príslušenstva. Príslušenstvo Black & Decker a Piranha je skonštruované tak, aby spĺňalo najvyšší štandard kvality a zvyšovalo účinnosť Vášho náradia. Ak budete používať toto príslušenstvo, získate najlepšie pracovné výsledky.

Údržba

Vaše náradie bolo navrhnuté tak, aby malo dlhú životnosť a zároveň minimálne nároky na údržbu. Predpokladom dlhodobej bezproblémovej funkcie náradia je jeho pravidelné čistenie a starostlivosť.

Pozor! Pred prevádzkaním akejkoľvek údržby náradie vypnite a odpojte napájaci kábel od siete.

- Pravidelne čistite vetracie drážky na náradí pomocou mäkkej kefy alebo suchej handričky.
- Pomocou vlhkej handričky pravidelne čistite kryt motora. Nepoužívajte žiadne brúsne alebo rozpúšťacie čistiace prostriedky.

Ochrana životného prostredia



Triedený odpad. Tento prístroj nesmie byť vyhodený do bežného domového odpadu.

Jedného dňa zistíte, že Váš výrobok Black & Decker musíte vymeniť alebo ho už nebudete ďalej používať. V tomto prípade myslite na ochranu životného prostredia a nevyhadzujte prístroj do domáceho odpadu. Prístroj zlikvidujte v triedenom odpade.



Triedený odpad umožňuje recykláciu a opätovné využitie použitých výrobkov a obalových materiálov. Opätovné použitie recyklovaných materiálov pomáha zabrániť znečisteniu životného prostredia a znižuje dopyt po nových surovinách.

Miestne predpisy môžu upravovať spôsob likvidácie domácich elektrických spotrebičov v miestnych zberniach alebo v mieste nákupu výrobku.

Spoločnosť Black & Decker tiež poskytuje možnosť zberu použitých výrobkov alebo ich recykláciu. V rámci tejto výhodnej služby vráťte vaše náradie ktorejkoľvek autorizovanej servisnej pobočke Black & Decker, kde bude toto náradie zhromaždené a s ohľadom na životné prostredie recyklované.

Miesto vašej najbližšej autorizovanej servisnej pobočky Black & Decker sa dozviete na príslušnej adrese uvedenej na zadnej strane tejto príručky.

Prehľad autorizovaných servisných dielni Black & Decker a rovnako ďalšie informácie môžete nájsť tiež na internetovej adrese:

www.2helpU.com

Technické údaje

		KR50RE	KR50CRE	AST1XC
Napätie	V _{AC}	230	230	230
Príkion	W	500	500	500
Otáčky				
naprázdno	min ⁻¹	0-2,800	0-2,800	0-2,800
Maximálny priemer vrtania				
Ocel/betón	mm	13	13	13
Drevo	mm	20	20	20
Hmotnosť	kg	1.9	1.9	1.9

		KR52CRE	KR53CRE	KR55CRE
Napätie	V _{AC}	230	230	230
Príkion	W	500	550	550
Otáčky				
naprázdno	min ⁻¹	0-2,800	0-2,800	0-2,800
Maximálny priemer vrtania				
Ocel/betón	mm	13	13	13
Drevo	mm	20	20	20
Hmotnosť	kg	1.9	1.9	1.9

Vyhlásenie o zhode

KR50RE/KR50CRE/AST1XC/KR52CRE/
KR53CRE/KR55CRE

Spoločnosť Black & Decker prehlasuje, že tieto výrobky zodpovedajú smerniciam: 98/37/EC, 89/336/EEC, EN 55014, EN 60745, EN 61000

L_{PA} (akustický tlak) 99 dB(A),
L_{WA} (akustický výkon) 110 dB(A),
vibrácie prenášané na obsluhu 13,8 m/s²

K_{WA} (nepresnosť akustického tlaku) 3 dB(A)
K_{WA} (nepresnosť akustického výkonu) 3 dB(A)

Kevin Hewitt
Riaditeľ spotrebiteľskej
techniky

Spennymoor, County Durham
DL16 6JG, Veľká Británia
1-5-2006

Politika služieb zákazníkom

Spokojnosť zákazníka s výrobkom a servisom je náš najvyšší cieľ.

Kedykoľvek budete potrebovať radu či pomoc, obráťte sa s dôverou na náš najbližší servis Black&Decker, kde Vám vyškolený personál poskytne naše služby na najvyššej úrovni.

Záruka Black&Decker 2 roky

Blahoželáme Vám k zakúpeniu tohto kvalitného výrobku Black&Decker.

Náš záväzok ku kvalite zahŕňa v sebe samozrejme tiež naše služby zákazníkom.

Preto ponúkame záručnú dobu ďaleko presahujúcu minimálne požiadavky vyplývajúce zo zákona.

Kvalita tohto prístroja nám umožňuje ponúknuť Vám **2 ročnú záruku istoty**. Ak sa objavia akékoľvek materiálové, alebo výrobné chyby v priebehu 24 mesiacov od zakúpenia prístroja, ručíme za ich bezplatné odstránenie, prípadne, podľa nášho uváženia, bezplatnú výmenu prístroja za nasledujúcich podmienok:

- Prístroj bude dopravený (spolu s originálnym záručným listom Black&Decker a s dokladom o nákupe), do jedného z poverených servisných stredísk Black&Decker, ktoré sú autorizované na vykonávanie záručných opráv.
- Prístroj bol používaný iba s originálnym príslušenstvom alebo prídavnými zariadeniami a príslušenstvom BBW či Piranha, ktoré je vyslovene odporúčané ako vhodné na použitie spolu s prístrojom Black&Decker.
- Prístroj bol používaný a udržiavaný v súlade s návodom na obsluhu.
- Prístroj nevykazuje žiadne príčiny poškodenia spôsobené opotrebovaním.

Naviac servis Black&Decker poskytuje na všetky vykonávané prevedené opravy a vymenené náhradné diely ďalšiu servisnú záručnú dobu v trvaní 6 mesiacov.

Záruka sa nevzťahuje na spotrebné príslušenstvo (vrtáky, skrutkovacie nástavce, pílové kotúče, hobľovacie nože, brúsne kotúče, pílové listy, brúsny papier a pod.) ani na príslušenstvo prístroja poškodené opotrebovaním.

Toto náradie nie je vhodné pre profesionálne použitie.

Black&Decker

Stará Vajnorská cesta 16
832 44 Bratislava

Tel.: 02 492 41 394, 02 446 38 121

Fax: 02 492 41 390

informacie@blackanddecker.sk

Právo na prípadné zmeny vyhradené.

03/2005



Область применения

Ваша ударная электрическая дрель Black&Decker (далее в тексте также использован краткий термин – электродрель) предназначена для сверления отверстий в древесине, металле, пластмассе и стеновых материалах (например, в кирпичной кладке), также для завинчивания винтов и шурупов. Данный электроинструмент не предназначен для профессионального применения, предусмотрено только его бытовое использование.

Правила безопасности при работе с электроинструментом

Внимание! Прочтите данное руководство по эксплуатации полностью. Несоблюдение мер, указанных в данном руководстве по эксплуатации, может привести к поражению электрическим током, возникновению пожара или к получению серьезной травмы. Термин „электроинструмент“ во всех приведенных ниже указаниях относится к Вашему электроинструменту. **БЕРЕЖНО ХРАНИТЕ ДАННОЕ РУКОВОДСТВО ПО ЭКСПЛУАТАЦИИ ДЛЯ ПОСЛЕДУЮЩЕГО ОБРАЩЕНИЯ К НЕМУ.**

1. Рабочее место

- a. Рабочее место должно быть чистым и достаточно освещенным. Беспорядок на рабочем месте и его плохое освещение может привести к несчастному случаю.
- b. Не работайте с электроинструментом во взрывчатой среде, например, вблизи легко воспламеняющихся жидкостей, газов или пыли. Электроинструмент создает искровые разряды, которые могут воспламенить горючие пары или пыль.
- c. Следите, чтобы дети и посторонние люди находились подальше от работающего электроинструмента. Различные отвращения могут вызвать у Вас потерю контроля над рабочим процессом.

2. Электробезопасность

- a. Вилка кабеля подключения к электросети электроинструмента должна соответствовать штепсельной розетке. Ни в коем случае не видоизменяйте вилку кабеля подключения к электросети! Ни в коем случае не используйте штепсельные вилки-переходники, если в силовом кабеле

электроинструмента есть провод заземления! Использование оригинальной вилки кабеля подключения к электросети и соответствующей ей штепсельной розетки уменьшает риск поражения электрическим током.

- b. При подключенном к штепсельной розетке электроинструменте, избегайте контактов частей тела с заземленными объектами и предметами (например, трубопроводами, радиаторами отопления, электроплитами), также с подключенными к электросети электроприборами (например, холодильниками). Риск поражения электрическим током увеличивается, если Ваше тело заземлено.
 - c. Не используйте электроинструмент под дождем или в сырых местах. Проникновение воды в электроинструмент увеличивает риск поражения электрическим током.
 - d. Берегите кабель подключения к электросети. Ни в коем случае не используйте кабель подключения к электросети для переноски электроинструмента или для вытягивания его вилки из штепсельной розетки! Оберегайте кабель подключения к электросети от высокой температуры, нефтепродуктов и острых кромок, также от движущихся частей электроинструмента. Поврежденный или запутанный кабель подключения к электросети увеличивает риск поражения электрическим током.
 - e. При работе с электроинструментом на открытом воздухе используйте удлинительный кабель, предназначенный для таких условий работы (в брызгозащищенном исполнении). Использование пригодного для эксплуатации на открытом воздухе удлинителя уменьшает риск поражения электрическим током.
- ### 3. Личная безопасность
- a. Будьте собраны и ответственны, руководствуйтесь здравым смыслом при работе с электроинструментом. Не используйте электроинструмент, если Вы устали, так же если находитесь под влиянием алкоголя или понижающих

- реакцию лекарственных и других средств.** Малейшая неосторожность при работе с электроинструментом может привести к серьезной травме.
- b. Используйте индивидуальную защиту. Работайте всегда в защитной маске (защитных очках).** Использование в зависимости от условий эксплуатации электроинструмента таких средств защиты, как пылезащитная маска, крепкие нескользящие ботинки, защитный шлем, средства защиты органов слуха (например, наушники или беруши), уменьшает риск получения травмы.
- c. Избегайте непреднамеренного пуска. Следите, чтобы перед включением электроинструмента клавиша пускового выключателя находилась в нерабочем положении.** Несчастный случай может произойти при переноске электроинструмента с пальцем на клавише выключателя или при соединении с электросетью включенного электроинструмента.
- d. Перед включением электроинструмента удалите с него (из него) регулировочные и крепежные инструменты (ключи и т.д.).** Гаечный или регулировочный ключ, оставленный на движущейся части электроинструмента, может нанести ранение.
- e. Не споткнитесь! Выберите удобное, устойчивое, постоянно контролируемое Вами положение.** Это позволит надежно управлять электроинструментом в неожиданных ситуациях.
- f. Правильно одевайтесь. Во время работы не носите свободную одежду и украшения. Избегайте контактов ваших волос, одежды и, в первую очередь, пальцев рук с движущимися частями электроинструмента.** Свободная одежда, украшения или длинные волосы могут быть захвачены движущимися частями электроинструмента.
- g. Если в комплект поставки Вашего электроинструмента входит устройство для присоединения к пылеотводу или пылесборник, установите его и используйте по назначению.** Использование этих устройств уменьшает опасность, связанную с воздействием пыли.
- 4. Использование электроинструмента по назначению и техническое обслуживание**
- a. Не перегружайте электроинструмент. Используйте электроинструмент только по назначению, указанному в данном руководстве по эксплуатации.** Электроинструмент работает надежно и безопасно только при соблюдении параметров, указанных в его технических характеристиках.
- b. Не используйте электроинструмент, если пусковой выключатель не устанавливается в положение включения или выключения.** Электроинструмент, не управляемый пусковым выключателем, опасен и должен быть отремонтирован.
- c. Перед любыми видами работ по регулированию электроинструмента и замене принадлежностей, также перед хранением вынимайте вилку кабеля подключения к электросети из штепсельной розетки.** Эта мера предосторожности исключает непреднамеренный пуск электроинструмента.
- d. Храните неиспользуемый электроинструмент в недоступном для детей месте. Не разрешайте пользоваться электроинструментом людям, не умеющим им пользоваться или не ознакомившимся с данным руководством по эксплуатации.** Электроинструмент опасен в руках неопытных пользователей.
- e. Содержите электроинструмент в безупречном состоянии. Проверяйте точность совмещения и легкость перемещения подвижных деталей, также целостность деталей воздействующих на его работу. Ремонтируйте поврежденный электроинструмент до его использования.** Большинство несчастных случаев происходит при использовании электроинструмента, находящегося в плохом состоянии.
- f. Сменный обрабатывающий инструмент должен быть геометрически правильным и чистым.** Геометрически правильный обрабатывающий инструмент, в том числе остро заточенный режущий инструмент, сделает Вашу работу производительной и безопасной.

g. Используйте электроинструмент, принадлежности и сменные обрабатывающие инструменты только по назначению, указанному в данном руководстве по эксплуатации, соблюдая также приведенные в его технических характеристиках параметры. Использование электроинструмента в других целях может привести к нежелательным последствиям.

5. Ремонт

a. Ремонт электроинструмента производите только в авторизованном сервисном центре, с использованием только оригинальных запасных частей. Это обеспечит Вашу безопасность при дальнейшей эксплуатации электроинструмента.

Дополнительные меры безопасности при сверлении с ударом

- При повышенном уровне шума используйте средства защиты органов слуха (например, наушники или беруши). Сильный шум может привести к повреждению органов слуха.
- Если в комплект поставки электроинструмента входит вспомогательная рукоятка, обязательно ее используйте. Потеря контроля над управлением электроинструментом может привести к получению травмы.
- Удерживайте электроинструмент за изолированные поверхности рукоятки, если во время работы режущий инструмент может случайно войти в контакт со скрытыми коммуникациями или с собственным кабелем подключения к электросети. Контакт с находящейся под напряжением электропроводкой приведет к возникновению напряжения на открытых металлических деталях электроинструмента и поразит Вас электротоком.
- Используйте тиски или другим способом зафиксируйте обрабатываемую заготовку на устойчивой опоре. Не держите обрабатываемую заготовку на весу и не прижимайте ее к телу, такое неустойчивое положение может привести к потере контроля над рабочим процессом.
- Перед сверлением стен, полов и потолков, в сомнительных случаях предварительно

определите местоположение скрытых трубопроводов и электропроводки.

- Избегайте контакта с вершиной сверла сразу после сверления, Вы можете обжечься.

Дополнительная электробезопасность



Данная электродрель защищена двойной электроизоляцией, исключая потребность в заземляющем проводе. Следите за напряжением электрической сети, оно должно соответствовать величине, обозначенной на информационной табличке электродрели.

- Не разрешайте молодым или физически слабым людям пользоваться данной электродрелью без Вашего контроля. Не разрешайте детям играть с электродрелью.
- При повреждении кабеля подключения к электросети, в целях Вашей безопасности, заменяйте его только в авторизованном сервисном центре.

Составные части

Ваша электродрель может содержать все или некоторые из перечисленных составных частей:

1. Клавиша пускового выключателя
2. Кнопка фиксации пускового выключателя
3. Рычаг переключателя направления вращения (реверса)
4. Рычаг переключателя режимов работы
5. Патрон сверлильный
6. Ограничитель глубины
7. Рукоятка вспомогательная (боковая)

Сборка

Внимание! Перед сборкой убедитесь, что электродрель выключена и отсоединена от электросети!

Установка вспомогательной (боковой) рукоятки и ограничителя глубины (Рис. А)

- Поворачивайте ручку в направлении против часовой стрелки, чтобы вспомогательная рукоятка (7) смогла надвинуться на электродрель, как показано на рисунке.
- Установите вспомогательную рукоятку в необходимое положение.
- Вставьте ограничитель глубины (6) в установочное отверстие, как показано на рисунке.
- Установите глубину сверления.

- Затяните вспомогательную рукоятку, поворачивая ее ручку в направлении по часовой стрелке.

Установка сверла или насадки-отвертки быстрозажимной сверлильный патрон (Рис. В)

- Откройте сверлильный патрон, отвернув одной рукой переднюю втулку (8), одновременно другой рукой удерживая заднюю втулку (9).
- Вставьте хвостовик (10) сверла или насадки-отвертки в сверлильный патрон.

Сверлильный патрон с зубчатым венцом (Рис. С)

- Откройте сверлильный патрон, вращая втулку (11) в направлении против часовой стрелки.
- Вставьте хвостовик сменного режущего инструмента (10) в сверлильный патрон.
- Вставьте ключ (12) в каждое из трех отверстий (13) сверлильного патрона и поверните его с усилием в направлении по часовой стрелке.

Установка и удаление сверлильного патрона (Рис. D)

- Откройте сверлильный патрон полностью.
- Отвинтите установочный винт, находящийся внутри сверлильного патрона, поворачивая его отверткой в направлении по часовой стрелке.
- Зажмите в сверлильном патроне торцовый шестигранный ключ, и ударяйте по нему молотком, как показано на рисунке.
- Извлеките торцовый шестигранный ключ.
- Отвинтите сверлильный патрон, поворачивая его в направлении против часовой стрелки.
- Для установки сверлильного патрона на свое место, навинтите его на шпindel, и зафиксируйте установочным винтом.

Эксплуатация

Внимание! Не форсируйте рабочий процесс! Избегайте перегрузки электродрели!

Внимание! Перед сверлением стен, полов и потолков, в сомнительных случаях предварительно определите местоположение скрытых трубопроводов и электропроводки.

Выбор направления вращения (Рис. E)

Для сверления, также для завинчивания винтов (шурупов) используйте правое вращение (в направлении по часовой стрелке). Для отвинчивания винтов, также для освобождения застрявшего сверла используйте левое вращение (в направлении против часовой стрелки).

- Для правого вращения (в направлении по часовой стрелке) передвиньте рычаг переключателя направления вращения (3) в среднее положение.
- Для левого вращения (в направлении против часовой стрелки) передвиньте рычаг переключателя направления вращения (4) влево.

Внимание! Ни в коем случае не изменяйте направление вращения при работающем электродвигателе!

Выбор режима работы

- Для сверления кирпичной кладки (сверление с ударом), установите рычаг (4) переключателя режимов работы на позицию **T**.
- Для сверления других материалов, также для завинчивания установите рычаг (4) переключателя режимов работы на позицию **1**.

Регулирование глубины сверления (Рис. F)

- Ослабьте вспомогательную рукоятку (7), поворачивая ее ручку в направлении против часовой стрелки.
- Установите ограничитель глубины (6) на необходимую глубину. Максимальная глубина сверления, это зазор между острием сверла и передней концевой частью ограничителя глубины.
- Затяните вспомогательную рукоятку, поворачивая ее ручку в направлении по часовой стрелке.

Включение и выключение

- Для включения электродрели, нажмите клавишу пускового выключателя (1). Чем глубже Вы вдавливаете клавишу, тем больше частота вращения электродвигателя электродрели. Принято использовать малые частоты вращения для сверл большого диаметра и, соответственно, большие частоты вращения для сверл малого диаметра.

- Для непрерывного режима работы нажмите кнопку (2) фиксации пускового выключателя. После этого клавишу пускового выключателя можно отпустить. Данная функция работает только при максимальной частоте вращения. При левом вращении (в направлении против часовой стрелки) эта функция не работает.
- Для выключения электродрели, отпустите клавишу пускового выключателя. Для выключения при непрерывном режиме работы, нажмите и отпустите клавишу пускового выключателя.

Принадлежности

Производительность Вашей электродрели в значительной степени зависит от используемых принадлежностей. Принадлежности Black&Decker и Piranha изготовлены в соответствии с самыми высокими стандартами и способны увеличить производительность Вашей электродрели. Используя эти принадлежности, Вы достигнете наилучших результатов.

Техническое обслуживание

Ваша электродрель рассчитана на работу в течение продолжительного периода времени при минимальном техническом обслуживании. Срок службы электродрели и ее надежность увеличивается при правильном уходе и регулярной чистке.

Внимание! Перед любыми видами работ по техническому обслуживанию выключайте электродрель и вынимайте вилку кабеля подключения к электросети из штепсельной розетки!

- Регулярно очищайте вентиляционные прорези электродрели мягкой щеткой или сухой тканью.
- Регулярно очищайте корпус электродрели влажной тканью. Ни в коем случае не используйте абразивные чистящие средства, также чистящие средства на основе растворителей!

Защита окружающей среды



Если Вы захотите заменить Ваш электроинструмент Black&Decker другим или Вы больше в нем не нуждаетесь, подумайте о защите окружающей среды. Сервисные центры Black&Decker примут у Вас электроинструмент с гарантией его уничтожения безопасным для окружающей среды способом.

Технические характеристики

		KR50RE	KR50CRE	AST1XC
Напряжение электросети	V~	230	230	230
Потребляемая мощность	Вт	500	500	500
Частота (скорость) вращения на холостом ходу	мин ⁻¹	0...2800	0...2800	0...2800
Максимальный диаметр сверления:				
Сталь	мм	Ø13	Ø13	Ø13
Бетон	мм	Ø13	Ø13	Ø13
Древесина	мм	Ø20	Ø20	Ø20
Вес	кг	1,9	1,9	1,9

		KR52CRE	KR53CRE	KR55CRE
Напряжение электросети	V~	230	230	230
Потребляемая мощность	Вт	500	550	550
Частота (скорость) вращения на холостом ходу	мин ⁻¹	0...2800	0...2800	0...2800
Максимальный диаметр сверления:				
Сталь	мм	Ø13	Ø13	Ø13
Бетон	мм	Ø13	Ø13	Ø13
Древесина	мм	Ø20	Ø20	Ø20
Вес	кг	1,9	1,9	1,9

ДЕКЛАРАЦИЯ СООТВЕТСТВИЯ ЕС

KR50RE, KR50CRE, AST1XC, KR52CRE,
KR53CRE, KR55CRE

Black&Decker заявляет о том, что данный электрический инструмент разработан в полном соответствии со стандартами: 98/37/ЕС, 89/336/ЕЕС, EN 55014, EN 60745, EN 61000.

L_{pA} (звуковое давление) 99 дБ,

L_{WA} (акустическая мощность) 109 дБ,
измеренная вибрация на рукоятке 13,8 м/с².

K_{pA} (погрешность измерения звукового давления) 3 дБ(А),

K_{WA} (погрешность измерения акустической мощности) 3 дБ(А).



Кевин Хьюитт (Kevin Hewitt)
Директор департамента
проектирования
Spennymoor, County Durham,
DL16 6JG, United Kingdom
1-5-2006

БЛЭК ЭНД ДЕККЕР

гарантийные условия

Уважаемый покупатель!

1. Поздравляем Вас с покупкой высококачественного изделия БЛЭК ЭНД ДЕККЕР и выражаем признательность за Ваш выбор.
- 1.1. Надежная работа данного изделия в течение всего срока эксплуатации - предмет особой заботы наших сервисных служб. В случае возникновения каких-либо проблем в процессе эксплуатации изделия рекомендуем Вам обращаться только в авторизованные сервисные организации, адреса и телефоны которых Вы сможете найти в Гарантийном талоне или узнать в магазине. Наши сервисные станции - это не только квалифицированный ремонт, но и широкий выбор запчастей и принадлежностей.
- 1.2. При покупке изделия требуйте проверки его комплектности и исправности в Вашем присутствии, инструкцию по эксплуатации и заполненный Гарантийный талон на русском языке. При отсутствии у Вас правильно заполненного Гарантийного талона мы будем вынуждены отклонить Ваши претензии по качеству данного изделия.
- 1.3. Во избежание недоразумений убедительно просим Вас перед началом работы с изделием внимательно ознакомиться с инструкцией по его эксплуатации.
- 1.4. Обращаем Ваше внимание на исключительно бытовое назначение данного изделия.
2. Правовой основой настоящих гарантийных условий является действующее Законодательство и, в частности, Закон "О защите прав потребителей".
3. Гарантийный срок на данное изделие составляет 24 месяца и исчисляется со дня продажи через розничную торговую сеть. В случае устранения недостатков изделия, гарантийный срок продлевается на период, в течение которого оно не использовалось.
4. Срок службы изделия - 5 лет (минимальный, установленный в соответствии с Законом "О защите прав потребителей").
5. Наши гарантийные обязательства распространяются только на неисправности, выявленные в течение гарантийного срока и обусловленные производственными и конструктивными факторами.
6. Гарантийные обязательства не распространяются:
 - 6.1. На неисправности изделия, возникшие в результате:
 - 6.1.1. Несоблюдения пользователем предписаний инструкции по эксплуатации изделия.
 - 6.1.2. Механического повреждения, вызванного внешним ударным или любым иным воздействием.

- 6.1.3. Использования изделия в профессиональных целях и объемах, в коммерческих целях.
- 6.1.4. Применения изделия не по назначению.
- 6.1.5. Стихийного бедствия.
- 6.1.6. Неблагоприятных атмосферных и иных внешних воздействий на изделие, таких как дождь, снег, повышенная влажность, нагрев, агрессивные среды, несоответствие параметров питающей электросети указанным на инструменте.
- 6.1.7. Использования принадлежностей, расходных материалов и запчастей, не рекомендованных или не одобренных производителем.
- 6.1.8. Проникновения внутрь изделия посторонних предметов, насекомых, материалов или веществ, не являющихся отходами, сопровождающими применение по назначению, такими как стружка опилки и пр. .
- 6.2. На инструменты, подвергавшиеся вскрытию, ремонту или модификации вне уполномоченной сервисной станции.
- 6.3. На принадлежности, запчасти, вышедшие из строя вследствие нормального износа, и расходные материалы, такие как приводные ремни, угольные щетки, аккумуляторные батареи, ножи, пилки, абразивы, пыльные диски, сверла, буры и т. п. .
- 6.4. На неисправности, возникшие в результате перегрузки инструмента, повлекшей выход из строя электродвигателя или других узлов и деталей. К безусловным признакам перегрузки изделия относятся, помимо прочих: появление цветов побежалости, деформация или оплавление деталей и узлов изделия, потемнение или обугливание изоляции проводов электродвигателя под воздействием высокой температуры.



Блэк энд Деккер ГмбХ, Блэк энд Деккер
Штрассе, 40, 65510 Идштайн, Германия.

ME 77

03 июня 1999 г.

Область застосування

Ваш дріль/шуруповерт виробництва фірми Black & Decker розроблений для свердління деревини, металу, пластику, каменю, а також для використання в якості викрутки. Цей інструмент призначений лише для побутового використання.

Загальні правила безпеки

Попередження! Прочитайте всі інструкції. Невиконання всіх інструкцій, що наведені нижче, може призвести до ураження електричним струмом, пожежі та/або серйозних травм. Термін „електричний інструмент“ в усіх попередженнях, перерахованих нижче, стосується використовуваних Вами інструментів, що працюють від мережі енергоспоживання (з використанням електричного кабелю) або акумуляторів (без кабелю).
ЗБЕРІГАЙТЕ ЦІ ІНСТРУКЦІЇ

1. Робоча зона

- a. **Тримайте робочу зону чистою та добре освітленою.** Неупорядковані та темні робочі зони збільшують ймовірність нещасного випадку.
- b. **Не використовуйте електричний інструмент у вибухонебезпечних умовах, таких як присутність вогненебезпечних рідин, газів чи пилу.** Електричні інструменти створюють іскри, що можуть запалити пил або випаровування.
- c. **Тримайте дітей та сторонніх подалі під час використання механізованого інструменту.** Відвернення уваги може призвести до втрати контролю.

2. Електрична безпека

- a. **Вилка електричного інструменту має відповідати розетці. Ніколи ніяким чином не змінюйте розетку. Не використовуйте адаптерів з заземленими електричними інструментами.** Немодифіковані вилки та розетки, що підходять до них, зменшують ризик ураження електричним струмом.
 - b. **Уникайте контакту тіла з заземленими поверхнями, такими як труби, радіатори, плити та холодильники.** Якщо Ваше тіло заземлене, ризик ураження електричним струмом збільшується.
 - c. **Не залишайте електричні інструменти під дощем або в умовах підвищеної вологості.** Вода, що потрапляє
- в електричний інструмент, підвищує ризик ураження електричним струмом.
- d. **Не використовуйте шнур не за призначенням. Ніколи не використовуйте шнур для переносу, витягнення або відключення електричного інструменту. Тримайте шнур подалі від високих температур, мастила, гострих предметів та рухомих деталей.** Ушкоджений або заплутаний шнур підвищує ризик ураження електричним струмом.
 - e. **При використанні електричного інструменту на вулиці, використовуйте подовжувачий шнур, що підходить для використання на вулиці.** Використання шнура, що підходить для вулиці, знижує ризик ураження електричним струмом.
- ### 3. Особиста безпека
- a. **Будьте в стані готовності, дивіться, що ви робите, та використовуйте загальний глузд, коли ви працюєте з електричним інструментом. Не використовуйте електричний інструмент, коли ви втомлені або знаходитесь під впливом наркотичних речовин, алкоголю або ліків.** Втрата уваги при роботі з електричними інструментами може призвести до серйозних травм.
 - b. **Використовуйте засоби безпеки. Завжди використовуйте засоби захисту очей.** Засоби безпеки, такі як протипилова маска, неслизькі безпечні чоботи, твердий капелюх та засоби захисту слухового апарату, які використані для відповідних умов, зменшують ймовірність особистих травм.
 - c. **Уникайте випадкового пуску. Переконайтеся, що вмикач знаходиться в позиції „Вимкнено“ перед тим, як вмикати інструмент в мережу живлення.** Перенос інструментів, не відпускаючи пальця з вимикача, або ввімкнення інструменту з перемикачем в позиції „Ввімкнено“ може призвести до нещасного випадку.
 - d. **Зніміть всі налаштувальні ключі або гайкові ключі перед тим, як вмикати електричний інструмент.** Гайковий ключ, що залишився прикріпленим до якоїсь деталі електричного пристрою, що обертається, може призвести до травм.
 - e. **Не перенапружуйтеся. Завжди підтримуйте правильну постановку**

ніг та рівновагу. Це дозволяє тримати електричний інструмент під кращим контролем в несподіваних ситуаціях.

- f. **Вдягайтеся відповідним чином.** Не вдягайте вільний одяг чи прикраси. Тримайте ваше волосся, одяг та рукавички подалі від рухомих деталей. Вільний одяг, прикраси або довге волосся може зачепитися за рухомі деталі.
 - g. **Якщо передбачені пристрої для підключення до засобів виділення та збирання пилу, переконайтеся, що вони правильно підключені та використовуються.** Використання таких пристроїв зменшує ризик виникнення небезпечних ситуацій, що пов'язані з потраплянням пилу.
4. **Використання та догляд за електричним інструментом**
 - a. **Не використовуйте надмірні зусилля при роботі з механізованим інструментом.** Використовуйте відповідний електричний інструмент для вашої задачі. Правильно обраний інструмент виконає завдання краще та безпечніше за умов, для яких він був розроблений.
 - b. **Не використовуйте інструмент, вмикач якого не вмикає та не вимикає його.** Будь-який електричний інструмент, який не може управлятися вмикачем, є небезпечним і має бути відремонтований.
 - c. **Відключіть вилку від джерела живлення перед тим, як робити будь-які налаштування, зміни додаткового обладнання, чи зберігання інструменту.** Ці профілактичні заходи зменшують ризик випадкового запуску електричного інструменту.
 - d. **Бережіть вимкнені електричні інструменти від дітей та не дозволяйте особам, що не знайомі з електричним інструментом або цими інструкціями використовувати електричний інструмент.** Електричні інструменти є небезпечними в руках некваліфікованих користувачів.
 - e. **Технічне обслуговування електричних інструментів.** Перевіряйте на відсутність вирівнювання або заїдання рухомих деталей, ушкоджених частин та інших умов, що можуть впливати на роботу електричного інструменту. Якщо є

ушкодження, відремонтуйте інструмент перед використанням. Багато нещасних випадків є результатом того, що інструмент не пройшов відповідного технічного обслуговування.

- f. **Тримайте ріжучі інструменти гострими та чистими.** Правильно доглянуті ріжучі інструменти з гострими ріжучими кромками мають меншу ймовірність заїдання, та ними легше керувати.
 - g. **Використовуйте електричний інструмент, витратні матеріали та деталі інструменту тощо у відповідності до цих інструкцій та відповідно до даного типу електричних інструментів, зважаючи на умови використання та роботу, яка має бути виконана.** Використання електричних інструментів не за призначенням може призвести до виникнення небезпечних ситуацій.
5. **Обслуговування**
 - a. **Надавайте Ваш електричний інструмент для обслуговування кваліфікованим спеціалістом з ремонту та використовуйте тільки ідентичні замінні деталі.** Це забезпечить безпеку електричного пристрою, що обслуговується.

Додаткові інструкції з техніки безпеки для дрилі з функцією удару

- **Використовуйте засоби захисту органів слуху при роботі з ударним дрилем.** Шум може викликати втрату слуху.
- **Використовуйте додаткові ручки, що надаються з інструментом.** Втрата контролю над інструментом може викликати травми.
- **Тримайте електричний інструмент за ізольований тримач при виконанні операцій, де матеріал, що обробляється, може знаходитись в контактi з схованими кабелями.** Контакт з кабелем під напругою зробить металеві деталі інструменту також зарядженими та може призвести до ураження оператора струмом.
- **Використовуйте затискач або інший спосіб закріплення деталі, що оброблюється, на стабільній платформі.** Утримання деталі в руках або притискання її до тіла робить цю деталь нестабільною та може призвести до втрати контролю.

- Перед свердлінням стін, підлоги та стелі переконайтеся, що в цьому місці не розташована електрична проводка та труби.
- Уникайте контакту з кінцем біти після виконання свердління, тому що вона може бути гарячою.

Електрична безпека



Цей інструмент має подвійну ізоляцію; тому заземлення не є необхідним. Завжди перевіряйте, що джерело живлення відповідає напрузі, що вказана на табличці з паспортними даними.

- Цей пристрій не призначений для використання молодими та хворими людьми без нагляду. Необхідно наглядати за дітьми, щоб вони не гралися з цим обладнанням.
- Якщо кабель пошкоджений, його необхідно замінити, звернувшись до виробника або до офіційного сервісного центру компанії Black & Decker, щоб уникнути небезпеки.

Деталі

Цей інструмент має деякі чи всі деталі з нижче вказаних.

1. Перемикач змінної швидкості
2. Кнопка захвату
3. Перемикач вперед/назад
4. Вибір режиму свердління
5. Затискний патрон
6. Обмежувач глибини
7. Бокова ручка

Зборка

Попередження! Перед зборкою переконайтеся, що інструмент вимкнено та вилка витягнута з розетки.

Встановлення бокової ручки та обмежувача глибини (рис. А)

- Поверніть тримач проти годинникової стрілки, доки Ви зможете перемістити бокову ручку (7) вперед по інструменту, як показано.
- Поверніть бокову ручку в необхідну позицію.
- Встановіть обмежувач глибини (6) в монтажний отвір, як показано на рисунку.
- Встановіть глибину свердління, як описано нижче.
- Закріпіть бокову ручку, повертаючи тримач за годинниковою стрілкою.

Встановлення біти для свердління та викрутки

Затискний патрон без ключа (рис. В)

- Відкрийте затискний патрон, повертаючи передню частину (8) однією рукою та утримуючи задню частину (9) іншою.
- Вставте хвостовик біти (10) в патрон та добре затягніть.

Затискний патрон з ключем (рис. С)

- Відкрийте затискний патрон, повертаючи втулку (11) проти годинникової стрілки.
- Вставте шпindel (10) в затискний патрон.
- Вставте ключ патрона (12) в кожний отвір (13) з бокової сторони патрону та повертайте за годинниковою стрілкою, доки він не буде добре затиснений.

Зняття та установка затискного патрона (рис. D)

- Відкрийте патрон, як можна ширше.
- Зніміть стопорний гвинт патрона, розташований в патроні, повертаючи його за годинниковою стрілкою за допомогою викрутки.
- Закріпіть торцевий ключ в затискному патроні та вдарте по ньому молотком, як показано.
- Зніміть торцевий ключ.
- Зніміть патрон, повертаючи його проти годинникової стрілки.
- Щоб знов встановити патрон, прикріпіть його до шпинделя та закріпіть за допомогою стопорного гвинта патрону.

Використання

Попередження! Інструмент повинен працювати зі своєю швидкістю. Не перевантажуйте його.

Попередження! Перед свердлінням стін, підлоги та стелі переконайтеся, що в цьому місці не розташована електрична проводка та труби.

Вибір напрямку обертання (рис. Е)

Для свердління та закручування шурупів використовуйте обертання вперед (за годинниковою стрілкою). Для ослаблення шурупів та знімання затиснутих свердел використовуйте зворотне (проти годинникової стрілки) обертання.

- Щоб обрати обертання вперед, перемістіть перемикач вперед/назад (3) в середню позицію.

- Щоб обрати зворотний напрямок, перемістіть перемикач вперед/назад вліво.

Попередження! Ніколи не змінюйте напрямок обертання, коли мотор працює.

Вибір режиму свердління

- При свердлінні в камені встановіть селектор режиму свердління (4) в позицію **T**.
- Для свердління в інших матеріалах та для використання функції викрутки встановіть селектор режиму свердління в позицію **2**.

Встановлення глибини свердління (Рис. F)

- Звільніть бокову ручку (7), повертаючи тримач проти годинникової стрілки.
- Встановіть обмежувач глибини (6) на необхідну позицію. Максимальна глибина свердління дорівнює відстані між кінцем свердла та переднім краєм обмежувача глибини.
- Закріпіть бокову ручку, повертаючи тримач за годинниковою стрілкою.

Вмикання та вимикання

- Щоб ввімкнути інструмент, натисніть на перемикач змінної швидкості (1). Швидкість інструменту залежить від того, наскільки сильно Ви натиснете на перемикач. Загальним правило є використання невеликих швидкостей для свердління за допомогою свердлів великих діаметрів та використання більших швидкостей для свердління за допомогою свердлів менших діаметрів.
- Для використання інструмента протягом довгого часу натисніть на кнопку блокування (2) та відпустіть перемикач змінної швидкості. Ця опція доступна лише при повній швидкості. Ця опція не працює при зворотному напрямку обертання.
- Щоб вимкнути інструмент, відпустіть перемикач змінної швидкості. Щоб вимкнути інструмент при безперервному режимі роботи, натисніть перемикач змінної швидкості ще раз та відпустіть його.

Витратні матеріали

Продуктивність роботи інструменту залежить від витратних матеріалів, які Ви використовуєте. Витратні матеріали виробництва фірм Black & Decker та Piranha розроблені з дотриманням високих стандартів якості та створені для підвищення ефективності

використання вашого інструменту. Використовуючи ці витратні матеріали, Ви отримуєте максимальну ефективність від вашого інструменту.

Технічне обслуговування

Ваш інструмент призначений для роботи протягом довгого часу з мінімальним обслуговуванням. Постійна задовільна робота залежить від правильного догляду за інструментом та регулярної очистки.

Попередження! Перед проведенням обслуговування вимкніть та від'єднайте від мережі живлення інструмент.

- Регулярно очищуйте вентиляційні отвори інструменту, використовуючи м'яку щітку чи суху ганчірку.
- Регулярно очищуйте корпус мотору, використовуючи вологу ганчірку. Не використовуйте абразивні очищуючі засоби та засоби, що містять розчинники.

Захист навколишнього середовища



Цей виріб не має викидатися на смітник із звичайним побутовим сміттям.

Якщо якщо Ви вирішите, що ваш виріб фірми Black & Decker має бути замінено, або він Вам більше не потрібний, не викидайте його на смітник побутового сміття. Зробіть цей виріб доступним для окремого збору.



Окремий збір використаних виробів та упаковки дозволяє повторно переробляти та використовувати матеріали. Переробка повторно використаних матеріалів допомагає попередити забруднення навколишнього середовища та зменшує потребу в сировині.

Місцеві законодавчі акти можуть передбачати окремих збір електричного обладнання в муніципальних місцях для збору сміття або продавцями при покупці нового обладнання.

Компанія Black & Decker має можливість для збору та переробки продуктів власного виробництва після закінчення їхнього терміну служби. Щоб скористатися цією послугою, поверніть виріб компанії в офіційний сервісний центр, які збирають відпрацьовані продукти за наш рахунок.

Ви можете знайти місцезнаходження найближчого до Вас сервісного центру, зв'язавшись з місцевим офісом компанії Black & Decker за адресою, вказаною в цих інструкціях. Крім того, список офіційних сервісних центрів компанії Black & Decker з усіма подробицями нашого післяпродажного обслуговування та контактною інформацією міститься в Інтернеті за адресою: www.2helpU.com

Технічні дані

		KR50RE	KR50CRE	AST1XC
Вхідна напруга	B_{AC}	230	230	230
Споживана потужність	W	500	500	500
Швидкість без навантаження	xv^{-1}	0-2,800	0-2,800	0-2,800
Максимальна глибина свердління				
Сталь/бетон	мм	13	13	13
Дерево	мм	20	20	20
Вага	кг	1.9	1.9	1.9

		KR52CRE	KR53CRE	KR55CRE
Вхідна напруга	B_{AC}	230	230	230
Споживана потужність	W	500	550	550
Швидкість без навантаження	xv^{-1}	0-2,800	0-2,800	0-2,800
Максимальна глибина свердління				
Сталь/бетон	мм	13	13	13
Дерево	мм	20	20	20
Вага	кг	1.9	1.9	1.9

Заява про відповідність ЄС

KR50RE/KR50CRE/AST1XC/KR52CRE/
KR53CRE/KR55CRE

Компанія Black & Decker заявляє, що ці продукти відповідають наступним вимогам: 98/37/EC, 89/336/EEC, EN 55014, EN 60745, EN 61000

L_{pA} (звуковий тиск) 99 dB(A),
 L_{WA} (звукова потужність) 110 dB(A),
вібрація при навантаженні на руку 13,8 m/c^2

K_{pA} (погрішність звукового тиску) 3 дБ(A),
 K_{WA} (погрішність звукової потужності) 3 дБ(A)



Кевін Хьюїт (Kevin Hewitt)
Директор з виробництва побутової техніки
Спеннімуп, графство Дарем DL16 6JG,
Великобританія
1-5-2006

БЛЕК ЕНД ДЕККЕР

гарантійні умови

Шановний покупець!

1. Вітаємо Вас з покупкою високоякісного виробу компанії Black & Decker та виражаємо Вам свою вдячність за Ваш вибір.
- 1.1. Надійна робота цього виробу на протязі всього терміну експлуатації є предметом особливої турботи наших сервісних служб. У випадку виникнення якихось проблем в процесі експлуатації виробу ми рекомендуємо Вам звертатися лише в авторизовані сервісні організації, адреси та телефони яких Ви зможете знайти в Гарантійному талоні або дізнатися в магазині. Наші сервісні центри – це не тільки кваліфікований ремонт, але і широкий вибір запчастин та аксесуарів.
- 1.2. При покупці виробу вимагайте перевірки його комплекtnості та справності за Вашої присутності, наявності інструкції з експлуатації та заповненого Гарантійного талону на українській мові. За умови відсутності у Вас правильно заповненого Гарантійного талону ми будемо вимушені відхилити Ваші претензії щодо якості цього виробу.
- 1.3. Щоб уникнути всіх непорозумінь щиро просимо Вас перед початком роботи з виробом уважно ознайомитись з інструкцією щодо його експлуатації.
- 1.4. Звертаємо Вашу увагу на виключно побутове призначення цього виробу.
2. Правовою основою даних гарантійних умов є діюче Законодавство та, зокрема, Закон "Про захист прав споживачів".
3. Гарантійний термін на даний виріб складає 24 місяці та починається з дня продажу через роздрібну торгову мережу. У випадку усунення недоліків виробу гарантійний термін продовжується на період, протягом якого виріб не використовувався.
4. Термін служби виробу - 5 років (мінімальний, встановлений у відповідності до Закону "Про захист прав споживачів").
5. Наші гарантійні зобов'язання поширюються тільки на несправності, виявлені протягом гарантійного терміну та обумовлені виробничими та конструктивними факторами.
6. Гарантійні зобов'язання не поширюються:
 - 6.1. На несправності виробу, що виникли в результаті:
 - 6.1.1. Недотримання користувачем вказівок інструкції з експлуатації виробу.
 - 6.1.2. Механічних пошкоджень, викликаних зовнішнім ударним або іншим впливом.
 - 6.1.3. Використання виробу в професійних цілях та об'ємах, в комерційних цілях.
 - 6.1.4. Застосування виробу не за призначенням.
 - 6.1.5. Стихійного лиха.
 - 6.1.6. Несприятливому атмосферному та інших зовнішніх впливах на виріб, таких як дощ, сніг, підвищена вологість, нагрів, агресивні середовища, невідповідність параметрів електромережі параметрам, вказаним на інструменті.
 - 6.1.7. Використання аксесуарів, витратних матеріалів та запчастин, які не рекомендовані або не схвалені виробником.
 - 6.1.8. Проникнення всередину інструменту сторонніх предметів, комах, матеріалів або речовин, що не є відходами, які супроводжують використання інструменту за призначенням, наприклад, стружки, опилки та ін.
- 6.2. На інструменти, що були відкриті, піддані ремонту або модифікації поза уповноваженою сервісною станцією.
- 6.3. На принадлежності, запчастини, що вийшли з ладу внаслідок нормального зносу, та витратні матеріали, такі як, приводні ремені, вугільні щітки, акумуляторні батареї, ножі, пилки, абразиви, пильні диски, свердла, бури та ін.
- 6.4. На несправності, які виникли в результаті перевантаження інструменту, що призвело до виходу з ладу електродвигуна або інших вузлів та деталей. До безумовних ознак перевантаження виробу належать, зокрема: поява кольорів мінливості, деформація або оплавлення деталей та вузлів виробу, потемніння або обвуглювання ізоляції дротів електродвигуна під впливом високої температури.

03 червня 1999 р.

Kullanım amacı

Black & Decker darbeli matkabınız ahşap, metal ve plastik delme işlemleri, duvarcılık işleri ve ayrıca vida takma/sökme uygulamaları için tasarlanmıştır. Bu alet sadece hafif hizmet ve hobi kullanımına yöneliktir.

Genel güvenlik kuralları

Uyarı! Tüm talimatları okuyun. Aşağıda belirtilen tüm talimatlara uyulmaması elektrik çarpmasına, yangına ve/veya ciddi yaralanmaya neden olabilir. Aşağıda yer alan uyarılardaki "elektrikli alet" terimi şebeke elektrigiyle (kablolu) veya akü/pille (şarjlı) çalışan elektrikli aletinizi ifade etmektedir. BU TALİMATLARI SAKLAYIN.

1. Çalışma alanı

a. Çalışma alanını temiz ve aydınlık tutun.

Karışık ve karanlık alanlar kazaya davetiye çıkarır.

b. Elektrikli aletleri, yanıcı sıvılar, gazlar ve tozların bulunduğu yerler gibi yanıcı ortamlarda çalıştırmayın.

Elektrikli aletler, toz veya dumanları ateşleyebilecek kıvılcımlar çıkarır.

c. Bir elektrikli aleti çalıştırırken çocuklardan ve etraftaki kişilerden uzak tutun.

Dikkatinizi dağıtıcı şeyler kontrolü kaybetmenize neden olabilir.

2. Elektrik güvenliği

a. Elektrikli aletlerin fişleri prizlere uygun olmalıdır. Fiş üzerinde kesinlikle hiçbir değişiklik yapmayın. Topraklı elektrikli aletlerde hiçbir adaptör fişi kullanmayın.

Değiştirilmemiş fişler ve uygun prizler elektrik çarpması riskini azaltacaktır.

b. Borular, radyatörler, ocaklar ve buzdolapları gibi topraklanmamış yüzeylerle vücut temasından kaçının.

Vücudunuzun topraklanması halinde yüksek bir elektrik çarpması riski vardır.

c. Elektrikli aletleri yağmura maruz bırakmayın veya ıslatmayın.

Elektrikli alete su girmesi elektrik çarpması riskini artıracaktır.

d. Elektrikli kabloları uygun olmayan amaçlarla kullanmayın. Elektrikli aleti kesinlikle kablodan tutarak taşımayın, çekmeyin veya prizden çıkartmayın. Kabloyu sıcaktan, yağdan, keskin kenarlardan veya hareketli parçalardan uzak tutun.

Hasarlı veya dolaşmış kablolar elektrik çarpması riskini artırır.

e. Elektrikli bir aleti açık havada

çalıştırıyorsanız, açık havada kullanıma uygun bir uzatma kablosu kullanın.

Açık havada kullanıma uygun bir kablolu kullanılması elektrik çarpması riskini azaltır.

3. Kişisel güvenlik

a. Elektrikli bir aleti kullanırken her zaman dikkatli olun, yaptığınız işe konsantre olun ve sağduyulu davranın. Elektrikli bir aleti yorgunken veya ilaç ya da alkolün etkisi altındayken kullanmayın.

b. Güvenlik donanımları kullanın. Daima koruyucu gözlük takın.

c. Aletin istem dışı çalıştırılmasını engelleyin. Elektrik şebekesine bağlanmadan önce aletin kapalı olduğundan emin olun.

d. Elektrikli aleti açmadan önce tüm ayarlama anahtarlarını çıkartın.

e. Ulaşmakta zorlandığınız yerlerde kullanmayın. Daima sağlam ve dengeli basın.

f. Uygun şekilde giyinin. Bol elbiseler giymeyin ve takı takmayın. Saçınızı, elbiselerinizi ve eldivenlerinizi hareketli parçalardan uzak tutun.

g. Eğer kullandığınız üründe toz emme ve üfleme özelliği olan adaptör varsa onun gerekli aletlere bağlanmasını ve doğru fonksiyonunu sağlayın.

4. Elektrikli aletlerin kullanımı ve bakımı

a. Elektrikli aleti zorlamayın. Uygulamanız için doğru elektrikli aleti kullanın.

b. Düşme açmıyor ve kapatmıyorsa elektrikli aleti kullanmayın.

gerekmektedir.

- c. **Herhangi bir ayarlama yapmadan, aksesuar değiştirmeden veya elektrikli aleti saklamak üzere kaldırmadan önce elektrik şebekesiyale olan bağlantısını kesin.** Bu tür önleyici güvenlik tedbirleri elektrikli aletin istem dışı olarak çalıştırılması riskini azaltacaktır.
- d. **Elektrikli aleti, çocukların ulaşamayacağı yerlerde saklayın ve elektrikli aleti tanımayan veya bu talimatları bilmeyen kişilerin elektrikli aleti kullanmasına izin vermeyin.** Elektrikli aletler, eğitimsiz kullanıcıların elinde tehlikelidir.
- e. **Elektrikli aletleri iyi durumda muhafaza edin. Hareketli parçalardaki hizalama hatalarını ve tutuklukları, parçalardaki kırılmalar ve elektrikli aletin çalışmasını etkileyebilecek tüm diğer koşulları kontrol edin. Hasarlı ise, elektrikli aleti kullanmadan önce tamir ettirin.** Kazaların çoğu, elektrikli aletlerin bakımının yeterli şekilde yapılmamasından kaynaklanır.
- f. **Kesim aletlerini keskin ve temiz tutun.** Bakımı uygun şekilde yapılmış keskin kesim uçlu kesim aletlerinin sıkışma ihtimali daha düşüktür ve kontrol edilmesi daha kolaydır.
- g. **Elektrikli aleti, aksesuarları, alet uçlarını vb. bu talimatlara göre ve elinizdeki elektrikli alet tipi için öngörüldüğü şekilde, çalışma koşullarını ve yapılacak işi dikkate alarak kullanın.** Elektrikli aletin öngörülen işlemler dışındaki işlemler için kullanılması tehlikeli durumlara neden olabilir.

5. Servis

- a. **Elektrikli aletinizi, sadece orijinal yedek parçaların kullanıldığı yetkili Black & Decker servisine tamir ettirin.** Bu, elektrikli aletin güvenliğinin muhafaza edilmesini sağlayacaktır.

Darbeli matkaplar için ek güvenlik talimatları

- **Darbeli matkapları kullanırken kulaklık takın.** Yüksek sese maruz kalmak işitme kaybına yol açabilir.
- **Aletle birlikte verilmiş olan yardımcı tutma kollarını kullanın.** Kontrol kaybı kişisel yaralanmalara neden olabilir.
- **Kesim aletinin gizli kabloları veya kendi kablosuna temas edebileceği yerlerde çalışma yaparken elektrikli aleti yalıtımlı kavrama yüzeylerinden tutun.** Elektrikli aletin "akım taşıyan" bir tele temas eden metal kısımları da "akım taşıyıcı" hale gelecek ve

operatörün çarpılmasına yol açacaktır.

- **Üzerinde çalıştığınızın parçayı sabitlemek ve desteklemek için kelepçeler veya başka pratik yöntemler kullanın.** Parçayı elle veya vücudunuza dayamanız dengesiz durmasına neden olacaktır ve aletin kontrolünü kaybetmenize yol açabilir.
- Duvar, zemin veya tavanda delik açmadan önce kablo ve boruların konumunu kontrol edin.
- Delme işleminden hemen sonra matkabın ucuna dokunmaktan kaçınınız, sıcak olabilir.

Elektrik güvenliği



Bu alet çift yalıtımlıdır; bu yüzden hiç bir toprak kablosuna gerek yoktur. Her zaman şebeke geriliminin aletin üretim etiketinde belirlenmiş değerlere uygun olup olmadığını kontrol edin.

- Bu alet, küçük yaşlı veya güçsüz kişilerce denetimsiz olarak kullanım için tasarlanmamıştır. Çocuklar, aletle oynamalarını önlemek için kontrol altında tutulmalıdır.
- Elektrik kablosu hasarlı ise, bir tehlike oluşmasını önlemek için üretici ya da yetkili Black & Decker Servis Merkezi tarafından değiştirilmelidir.

ÖZELLİKLER

Bu alet, aşağıdaki özelliklerin bir kısmını veya tümünü içermektedir.

1. Değişken hız ayarlı tetik
2. Kesintisiz çalıştırma düğmesi
3. İleri/geri sürgüsü
4. Delme modu seçicisi
5. Mandren
6. Derinlik çubuğu
7. Yan kol

Montaj

Uyarı! Montajdan önce aletin kapalı ve fişinin çekilmiş olduğundan emin olun.

Yan kol ve derinlik çubuğunun takılması (Şekil A)

- Tutamağı, yan kol (7) resimde gösterildiği gibi aletin ön kısmının üzerine kaydırabilir duruma gelene kadar çevirin.
- Yan kolu istediğiniz konuma çevirin.
- Derinlik çubuğunu (6) resimde gösterildiği gibi montaj deliğine takın.
- Delme derinliğini aşağıda açıklandığı şekilde ayarlayın.

- Tutamağı saat yönünde çevirerek yan kolu sıkın.

Bir matkap veya tornavida ucu takılması

Anahtarsız mandren (Şekil B)

- Bir elinizle arka kısmı (9) tutarken diğer elinizle ön kısmı (8) çevirerek mandreni açın.
- Uç milini (10) mandrene takın ve mandreni iyice sıkın.

Anahtarlı mandren (Şekil C)

- Manşonu (11) saatin tersi yönde çevirerek mandreni açın.
- Ucun mil kısmını (10) mandrene sokun.
- Mandren anahtarını (12) mandrenin yan tarafındaki her bir deliğe (13) yerleştirin ve sıkışana kadar saat yönünde döndürün.

Mandrenin çıkarılması ve yeniden takılması (Şekil D)

- Mandreni olabildiğince açın.
- Mandrende bulunan vidayı bir tornavida yardımıyla saat yönünde çevirerek alın ve mandreni çıkarın.
- Mandrenin içine bir Allen anahtarı sıkın ve gösterildiği gibi bir çekiçle anahtara vurun.
- Allen anahtarını çıkarın.
- Mandreni saatin tersi yönde çevirerek çıkarın.
- Mandreni yeniden takmak için milin üzerine vidalayın ve vidayı tutarak mandren ile mili sağlamlaştırın.

Kullanımı

Uyarı! Aletin kendi hızında çalışmasına izin verin. Aşırı yüklenmeyin.

Uyarı! Duvar, zemin veya tavanda delik açmadan önce kablo ve boruların konumunu kontrol edin.

Dönme yönünün seçilmesi (Şekil E)

Delik açmak ve vida sıkmak için ileri (saat yönünde) dönmeyi kullanın. Anahtarları gevşetmek veya sıkışmış bir matkap ucunu çıkartmak için aksi yöne dönmeyi (saat yönünün aksine) kullanın.

- İleri dönmeyi seçmek için ileri/geri sürgüsünü (3) orta konuma itin.
- Geri dönmeyi seçmek için ileri/geri sürgüsünü sola itin.

Uyarı! Dönme yönünü kesinlikle motor çalışır durumdayken değiştirmeyin.

Delme modunun seçilmesi

- Duvarı delmek için, delme modu seçicisini (4) **T** konumuna ayarlayın.

- Diğer materyalleri delmek ve vida takıp sökmek için delme modu seçicisini **2** konumuna getirin.

Delme derinliğinin ayarlanması (Şekil F)

- Tutamağı saatin tersi yönde çevirerek yan kolu (7) gevşetin.
- Derinlik çubuğunu (6) istediğiniz konuma ayarlayın. Maksimum delme derinliği, matkap ucunun uç kısmı ile derinlik çubuğunun ön ucu arasındaki mesafeye eşittir.
- Tutamağı saat yönünde çevirerek yan kolu sıkın.

Açılması ve kapatılması

- Aleti açmak için, değişken hız ayarlı tetiğe (1) basın. Aletin hızı, düğmeye ne kadar bastığınıza bağlıdır. Genel kural olarak, büyük çaplı matkap uçları için düşük hız, küçük çaplı matkap uçları içinse yüksek hız seçin.
- Sürekli çalışması için kesintisiz çalıştırma düğmesine (2) basın ve değişken hız ayarlı tetiği bırakın. Bu seçenek sadece tam hızda kullanılabilir. Bu seçenek ters dönmeye çalışmaz.
- Aleti kapatmak için, değişken hız ayarlı tetiği bırakın. Kesintisiz çalışma konumundayken aleti kapatmak için değişken hız ayarlı tetiğe bir kez daha basın ve bırakın.

Aksesuarlar

Aletinizin performansı kullanılan aksesuara bağlıdır. Black & Decker ve Piranha aksesuarları, yüksek kalite standartlarına göre üretilmiş ve aletinizin performansını arttıracak şekilde tasarlanmıştır. Bu aksesuarları kullanarak, aletinizden en iyi verimi alacaksınız.

Bakım

Aletiniz minimum bakımla uzun bir süre çalışacak şekilde tasarlanmıştır. Kesintisiz olarak memnuniyet verici bir şekilde çalışması gerekli özenin gösterilmesine ve düzenli temizliğe bağlıdır.

Uyarı! Herhangi bir bakım işlemini gerçekleştirmeden önce aleti kapatıp fişini çekin.

- Aletinizdeki havalandırma deliklerini yumuşak bir fırça veya kuru bir bezle düzenli olarak temizleyin.
- Motor muhafazasını nemli bir bezle düzenli olarak temizleyin. Herhangi bir aşındırıcı veya çözücü bazlı temizlik maddesi kullanmayın.

Çevrenin korunması



Ayrı olarak atın. Bu ürün, normal evsel atıklarla birlikte atılmamalıdır.

Black & Decker ürününüzün değiştirilmesi gerektiğini düşünmeniz veya artık kullanılamaz durumda olması halinde onu, evsel atıklarla birlikte atmayın. Bu ürünü, ayrı olarak toplanacak şekilde atın.



Kullanılmış ürünlerin ve ambalajların ayrı olarak toplanması bu maddelerin geri dönüşüme sokularak yeniden kullanılmasına olanak tanır. Geri dönüşümlü maddelerin tekrar kullanılması çevre kirliliğinin önlenmesine yardımcı olur ve ham madde ihtiyacını azaltır.

Yerel yönetmelikler, elektrikli ürünlerin evlerden toplanıp belediye atık tesislerine aktarılması veya yeni bir ürün satın alırken perakende satıcı tarafından toplanması yönünde hükümler içerebilir.

Black & Decker, hizmet ömrünün sonuna ulaşan Black & Decker ürünlerinin toplanması ve geri dönüşüme sokulması için bir imkan sunmaktadır. Bu hizmetin avantajlarından faydalanmak için, lütfen, ürününüzü bizim adımıza teslim alacak herhangi bir yetkili servise iade edin.

Bu kılavuzda belirtilen listeden size en yakın yetkili tamir servisinin yerini öğrenebilirsiniz. Ya da, İnternet'ten Black & Decker yetkili tamir servislerinin listesini ve satış sonrası hizmet veren yetkililerin tam detaylarını öğrenebilirsiniz. Bu site: www.2helpU.com

Teknik veriler

		KR50RE	KR50CRE	AST1XC
Giriş voltajı	V_{AC}	230	230	230
Giriş gücü	W	500	500	500
Yüksüz hızı	dak^{-1}	0-2,800	0-2,800	0-2,800
Maks. delme kapasitesi				
Çelik/beton	mm	13	13	13
Ahşap	mm	20	20	20
Ağırlık	kg	1.9	1.9	1.9

		KR52CRE	KR53CRE	KR55CRE
Giriş voltajı	V_{AC}	230	230	230
Giriş gücü	W	500	550	550
Yüksüz hızı	dak^{-1}	0-2,800	0-2,800	0-2,800
Maks. delme kapasitesi				
Çelik/beton	mm	13	13	13
Ahşap	mm	20	20	20
Ağırlık	kg	1.9	1.9	1.9

AT uygunluk beyanati

KR50RE/KR50CRE/AST1XC/KR52CRE/
KR53CRE/KR55CRE

Black & Decker bu ürünlerin şu standartlara uygunluğunu beyan eder: 98/37/EC, 89/336/EEC, EN 55014, EN 60745, EN 61000

L_{pA} (ses basıncı) 99 dB(A),
 L_{WA} (akustik güç) 110 dB(A),
el/kol ağırlıklı titreşimi 13,8 m/s²

K_{pA} (ses basıncı belirsizliği) 3 dB(A),
 K_{WA} (akustik güç belirsizliği) 3 dB(A)

Kevin Hewitt
Tüketici İhtiyaçları
Mühendisliği Müdürü
Spennymoor, County Durham DL16 6JG,
İngiltere
1-5-2006

Garanti

Black & Decker, ürünlerinin kalitesine güvenmekte ve üstün bir garanti sunmaktadır. Ayrıca bu garanti hiçbir şekilde garanti ile ilgili kanuni haklarınızı ihlal etmez ve haklarınızı hiç bir şekilde kısıtlamaz. Tüm AB ve Avrupa Serbest Ticaret Bölgesi EFTA'nın üye ülkelerinde geçerlidir.

Bir Black & Decker ürünün kusurlu malzeme, işçilik veya uygunluk eksikliği nedeniyle satın alındığı tarihten sonraki 24 ay içerisinde arızalanması halinde Black & Decker, müşterinin en az düzeyde rahatsızlık duymasını sağlamak amacıyla, aşağıdaki durumlar haricinde kusurlu parçaları değiştirmeyi, normal aşınma ve yıpranmaya maruz kalmış ürünleri onarmayı ve bu tür ürünleri değiştirmeyi garanti eder:

- Ürün ticari veya profesyonel amaçlarla kullanılmışsa veya kiraya verilmişse;
- Ürün yanlış veya amaç dışı kullanılmışsa;
- Ürün, yabancı nesnelere, maddelere ya da kazalar nedeniyle hasar görmüştür;
- Yetkili tamir servisleri veya Black & Decker servis ekibinden başkası tarafından tamir edilmeye çalışılmışsa.

Garanti talebinde bulunmak için, satıcıya veya yetkili tamir servisine satın aldığınıza dair ispat sunmalısınız. Fatura ve garanti kartı gerekmektedir. Bu kılavuzda belirtilen listeden size en yakın yetkili tamir servisinin yerini

öğrenebilirsiniz. Ya da, Internet'ten Black & Decker yetkili tamir servislerinin listesini ve satış sonrası hizmet veren yetkililerin tam detaylarını öğrenebilirsiniz. Bu site:
www.2helpU.com

İl	Servis Adı	Adres	Telefon
1	Adana Pay Elektrik	Kızıllı Cad. M.Görgün Pasajı No.30	0322 351 12 95
2	Adapazarı Ferik Elektrik	C.Meydanı C.Cevher Sk.No.5	0264 272 62 28
3	Afyon Emekliş Bobinaj	Dumlupınar Mah Menderes Cad. No.2	0272 212 11 32
4	Amasya Teknik Bobinaj	Beyazıt Paşa Mah. Mehmet Vorinli Cad. No.20/B	0358 218 26 82
5	Ankara Yiğit Bobinaj	Merkez: 668.Sk. Eminel Yapı Koop. No.8 İvedik Ostim	0312 395 05 37
6	Antalya E.B.A. Elektrik	Sanayi Sitesi 682.Sk No.38	0242 345 3622
7	Aydın Tacıroğlu Bobinaj	2.Sanayi Sitesi 3.Sk No.55	0256 219 43 30
8	Balıkesir Başdemir Bobinaj	6 Eylül Mah. Uzun Döşeme Sk. No.41/A	0266 239 86 23
9	Bandırma Küre Bobinaj	Atatürk Cad. No.104	0266 718 46 79
10	Bodrum Ak-Soy Bobinaj	Türkkuyusu Mah.Etem Demiröz Sk. San.Sit.No.12	0252 316 65 29
11	Bursa Er-Teknik	Küçük San.Sit.Par.Koop. 48.Cad. No.60	0224 441 32 91
12	Bursa Vokart Ltd.	Gazıcılar Cad. Eriklı bahçe Sk.6/B	0224 254 48 75
13	Çanakkale Kısacık Bobinaj	Namık Kemal Mah.Kaynak Sk.No.41	0286 217 96 71
14	Çorlu Ümit Elektrik	Camiatık Mah. Ereğli Sk. No.1	0282 653 27 77
15	Çorum Emek Bobinaj	Çepni Mah.Hazır Elbiseciler Sit.No.84	0364 224 05 41
16	Denizli Örsler Bobinaj	Bakırlı Mah. 171.Sk. Sedef Çarşısı 9/10	0258 261 42 74
17	Diyarbakır Çetsan	İnönü Cad. Ziya Gökalp Sk. No.45	0412 221 11 31
18	Düzce Yıldız Makine	Burhaniye Mah. Gen.Kazım Sk. No.10	0380 514 70 56
19	Edirne Efe Bobinaj	Sanayi Sitesi 22.Blok No.5	0284 225 35 73
20	Edremit Girgin Bob.Elektrik	Akçay Asfaltlı Üzeri No.68/2	0266 374 36 52
21	Elazığ Kalender Bobinaj	Sanayi Sitesi II.Sk.No.46	0424 224 85 01
22	Erzincan Ümit Elektrik Mak.	Sanayi Çarşısı 767 Sk.	0446 224 08 01
23	Eskişehir Meriç Bobinaj	Akçağlan Mah. Meriç Sk. No.4/A	0222 230 94 44
24	Gaziantep Karaşahin Bobinaj	Şahinbey Şenyurt Cad. No.35	0342 233 07 46
25	Gebze Gülsoy Elektrik	S.Orhan Mah. Menzilhane Cad. 1111.Sk. No.7	0262 646 92 49
26	Isparta Yüce Ticaret	Yeni San.Sit. 30.Blok No.81	0246 218 52 08
27	İstanbul AK-EL	Yukarı Dudullu Nato Yolu Cad. No.109B Ümraniye	0216 540 53 54
28	İstanbul Birlik Elektromekanik	Perpa Tic. Merkezi B.Blok Mavi Avlu Kat 4 No.318	0212 222 94 18
29	İstanbul Fırat Dış Ticaret	Tersane Cad. Kut Han No.38 K.3 D.307-308 Karaköy	0212 252 93 43
30	İstanbul Kardeşler Bobinaj	Çağlayan Mah. Sinanpaşa Cad. No.5 Çağlayan	0212 224 97 54
31	İstanbul Orjinal Güneşli	Bağlar Mah. Mimar Sinan Cad. Güllü Sk. No.3 Güneşli	0212 515 67 71
32	İstanbul Fırat - Şube	İstasyon Cad. Gemi Yan.San.Sit No.49 A Blok Kat 2 İçmeler Tuzla	0216 395 65 68
33	İstanbul Tarık Bobinaj	Bağdat Cad. Adalı Sk. No.101/10 Maltepe	0216 370 21 11
34	İzmir Boro Cıvata	1203/ 2.Sk. B21 Yenişehir	0232 469 80 70
35	İzmir Yılmaz Bobinaj	2822 Sk. No.2 1.Sanayi Sitesi	0232 433 80 51
36	İzmit Efe Elek. Bobinaj	Körfez Küçük San.Sit. 12.Blok No.13	0262 335 18 94
37	K.Maraş Kahraman Bobinaj	Yeni San.Sit. 25.Çarşısı No.24	0344 236 29 68
38	Kayseri Akın Elektrik	Eski San Bölgesi 5.Cad. No.8	0352 336 41 23
39	Konya Murat Bobinaj	Karatay San.Çiçekli Sk. No.83	0332 235 64 63
40	Konya Yavuzhan Bobinaj	Karatay San.Çobandede Sk. No.20	0332 233 29 60
41	Kütahya Doğan Bobinaj	Yeni San.Sit.19.Sk. No:28/1	0274 231 22 00
42	Malatya Özer Bobinaj	Yeni San.Sit. 2.Cad. No.95	0422 336 39 53
43	Marmaris Başaran Teknik	Beldibi Cad. No.5/C	0252 412 85 11
44	Mersin Vedat Makine	Mesudiye Mah.5120 Sk. No.40/A	0324 336 94 30
45	Nevşehir Çiftgüç Elektrik	Yeni Sanayi Sitesi 8.Blok No.53	0384 213 19 96
46	Samsun Akış Bobinaj	Sanayi Sitesi Ulus Cad. No.31/B	0362 238 07 23
47	Sivas Bayraktar Elektrik	Yeni Çarşısı No.72/C	0346 221 47 55
48	Tokat Çetin Elektrik	Sanayi Sitesi Cami Altı No.22	0356 214 63 07
49	Trabzon Makine Market	Rize Cad. No.71 Değirmendere	0462 328 14 80
50	Uşak Zengin Bobinaj	İsle Mah. Ürem Sk. No.10/C	0276 227 27 46

