

**DEWALT®**

**[www.DEWALT.com](http://www.DEWALT.com)**

**D25304DH**

---

English (**original instructions**)

4

---

Русский (*перевод с оригинала инструкции*)

8

---

Українська (*переклад з оригінальної інструкції*)

14

---

Fig. A

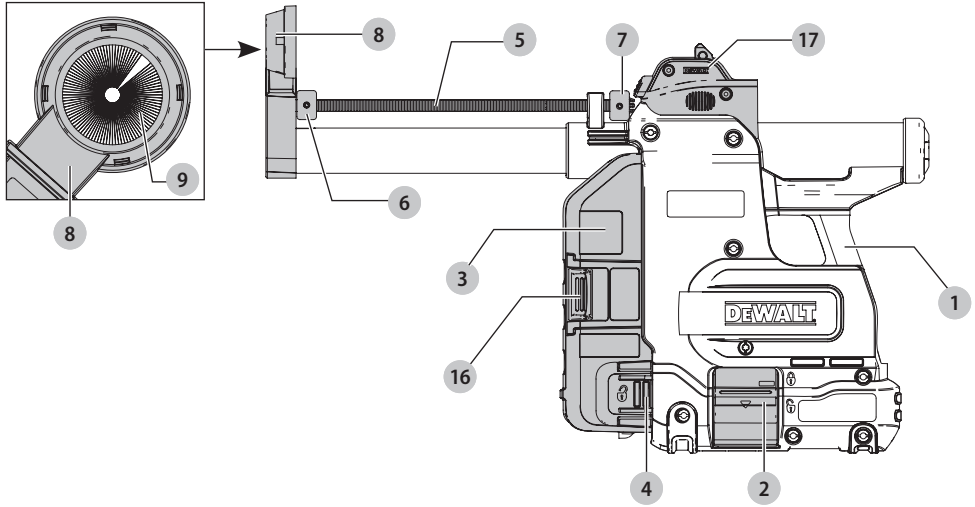


Fig. B

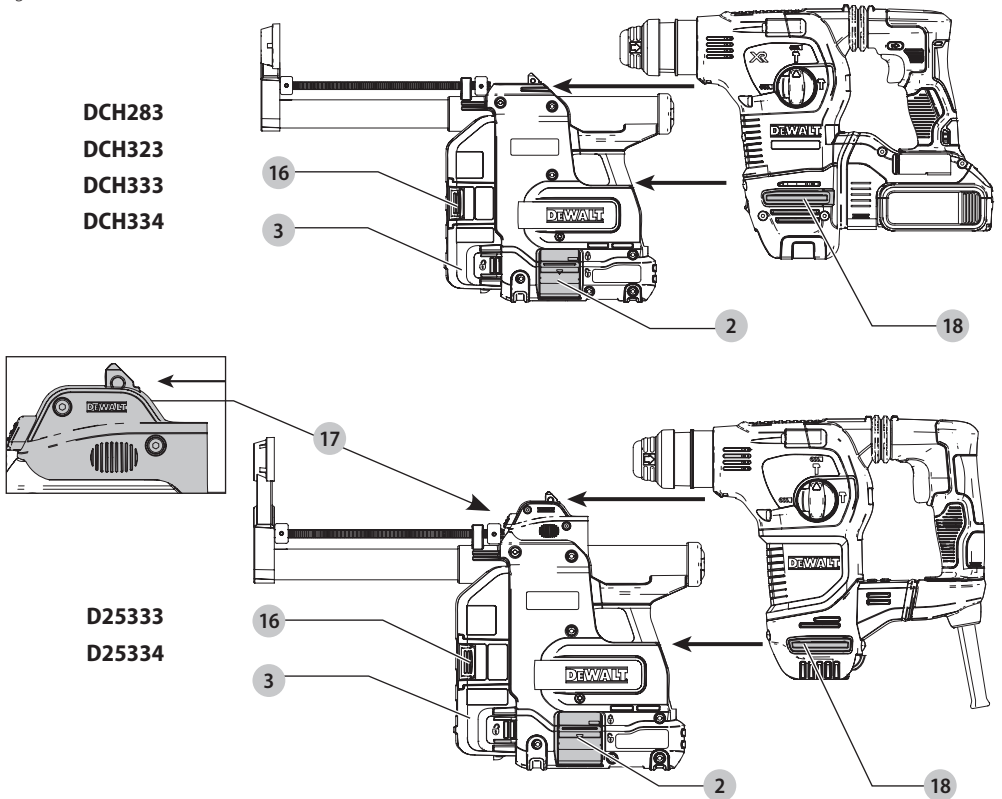


Fig. C

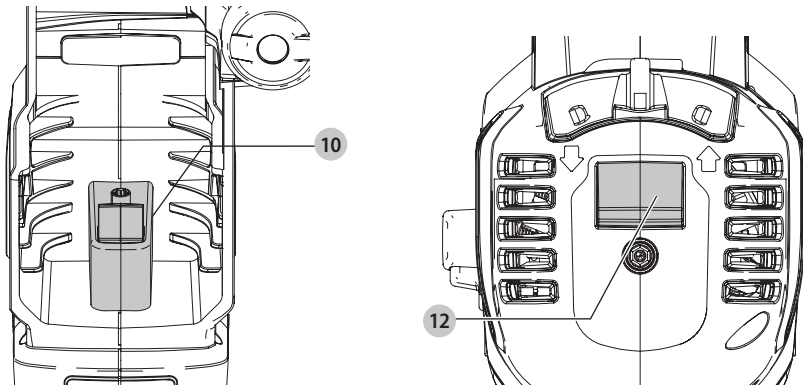


Fig. D

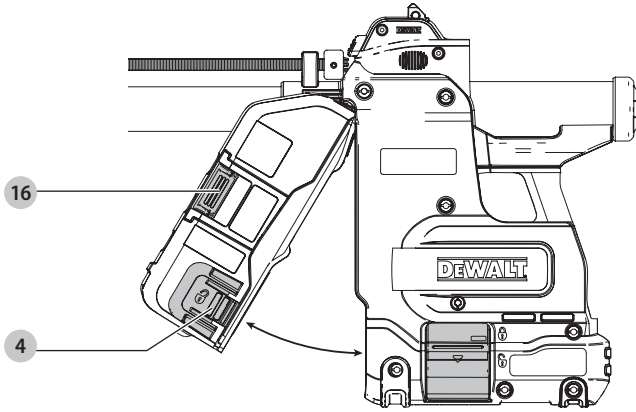


Fig. E

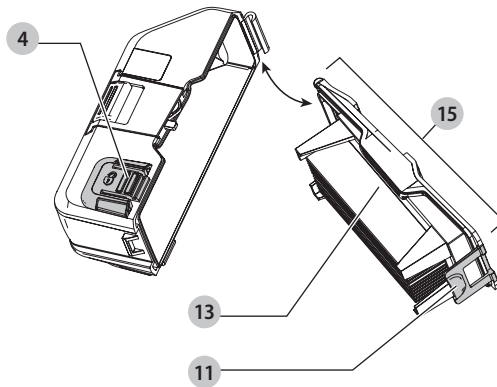


Fig. F

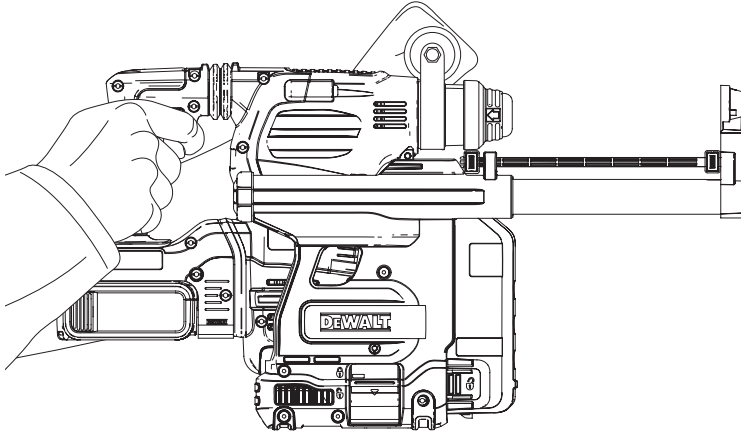
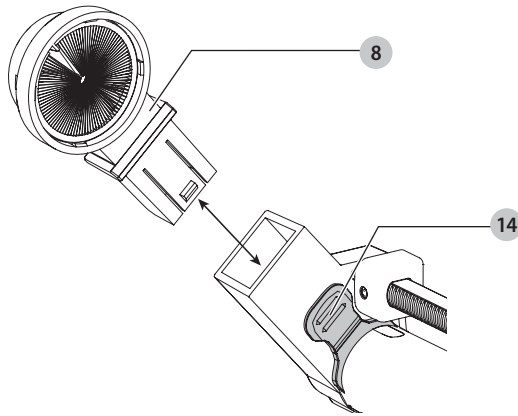


Fig. G



# DUST EXTRACTION SYSTEM

## D25304DH

### Congratulations!

You have chosen a DeWALT tool. Years of experience, thorough product development and innovation make DeWALT one of the most reliable partners for professional power tool users.

### Technical Data

		D25304DH
Contact pressure	N	80
Max. drilling depth	mm	180
Max. drilling diameter	mm	26



**WARNING:** To reduce the risk of injury, read the instruction manual.

### Definitions: Safety Guidelines

The definitions below describe the level of severity for each signal word. Please read the manual and pay attention to these symbols.



**DANGER:** Indicates an imminently hazardous situation which, if not avoided, **will** result in **death or serious injury**.



**WARNING:** Indicates a potentially hazardous situation which, if not avoided, **could** result in **death or serious injury**.



**CAUTION:** Indicates a potentially hazardous situation which, if not avoided, **may** result in **minor or moderate injury**.

**NOTICE:** Indicates a practice **not related to personal injury** which, if not avoided, **may** result in **property damage**.



Denotes risk of electric shock.



Denotes risk of fire.

### Safety Instructions



**WARNING!** Always observe safety regulations applicable in your country to reduce the risk of fire, electric shock and personal injury.

Read all of this manual carefully before operating the attachment. Also refer to the manual of any power tool that will be used with this attachment.

#### SAVE THIS MANUAL FOR FUTURE REFERENCE

### General Safety Rules

- Keep work area clear.** Cluttered areas and benches invite injuries.
- Keep children away. Do not let children come into contact with the tool.** Supervision is required for those under 16 years of age.

- Use appropriate tool. The intended use is described in this instruction manual.** Do not force small tools or attachments to do the job of a heavy-duty tool. The tool will do the job better and safer at the rate for which it was intended.



**WARNING:** The use of any accessory or attachment or performance of any operation with this tool, other than those recommended in this instruction manual may present a risk of personal injury.

### Additional Specific Safety Rules for Dust Extraction Systems

- Use dust mask to keep residual dust away from airways when drilling and when servicing the tool or accessories.
- Always use the side handle on the rotary hammer drill, even when the dust extractor is attached.
- Only use if filter is in place.
- Do not use the attachment for drilling applications in wood, steel or plastic.
- Do not use the attachment in core drilling applications.
- Do not use the attachment for chiselling applications.
- Use only power tools recommended by DeWALT with this attachment. For more information about DeWALT power tools compatible with this attachment, please contact your local dealer, refer to the addresses at the back of the manual or visit [www.dewalt.com](http://www.dewalt.com).
- Do not use the tool in damp or wet conditions.
- Do not allow to be used as a toy. Close attention is necessary when used by or near children.
- Use only as described in this manual. Use only manufacturer's recommended attachments.
- Do not put any object into openings. Do not use with any opening blocked; keep free of dust, lint, hair and anything that may reduce air flow.
- Keep hair, loose clothing, fingers and all parts of body away from openings and moving parts.
- Do not use to pick up flammable or combustible liquids, such as gasoline, or use in areas where they may be present.

### Residual Risks

The following risks are inherent to the use of the dust extraction system:

- Injuries caused by touching the rotating parts or hot parts of the tool

In spite of the application of the relevant safety regulations and the implementation of safety devices, certain residual risks cannot be avoided. These are:

- Impairment of hearing.
- Risk of squeezing fingers when changing the accessory.
- Health hazards caused by breathing dust developed when working in concrete and/or masonry.

## Package Contents

The package contains:

- 1 Dust extraction system
- 1 Cordless dust extraction head/dust brush
- 1 Corded dust extraction head/dust brush
- 1 Corded tool adaptor
- 1 Instruction manual
- Check for damage to the tool, parts or accessories which may have occurred during transport.
- Take the time to thoroughly read and understand this manual prior to operation.

## Markings on Dust Extraction System

The following pictograms are shown on the tool:



Read instruction manual before use.

### Date Code Position (Fig. A)

The date code, which also includes the year of manufacture, is printed into the housing.

Example:

2020 XX XX  
Year of Manufacture

### Description (Fig. A–C, E, G)



**WARNING:** Never modify the power tool or any part of it. Damage or personal injury could result.

- 1 Dust extraction system
- 2 Base release buttons
- 3 Dust collection box
- 4 Dust collection box release buttons
- 5 Telescope
- 6 Depth adjustment button
- 7 Length adjustment button
- 8 Dust extraction head
- 9 Dust brush
- 10 Locking and release shoe
- 11 Release catch
- 12 Hammer foot
- 13 Filter
- 14 Snap-fit connector
- 15 Filter frame
- 16 Filter cleaning mechanism
- 17 Corded Tool Adaptor
- 18 Support grooves

### Intended Use

Your dust extraction system D25304DH has been designed for the extraction of dust in professional hammerdrilling in masonry or concrete, and with solid drill bits mounted to the power tool. DO NOT use for drilling plastic, wood or metal. DO NOT use with hollow bits or core bits.

This dust extraction system will fit DEWALT 18 V cordless SDS Plus hammer DCH283, 54 V cordless SDS Plus hammers DCH323, DCH333 and DCH334, and corded SDS Plus hammers D25333 and D25334. For more information about DEWALT power tools compatible with this attachment, please contact your local dealer, refer to the addresses at the back of the manual or visit [www.dewalt.com](http://www.dewalt.com).

**DO NOT** use under wet conditions or in presence of flammable liquids or gases.

The dust extraction system is an attachment for use with professional power tools.

**DO NOT** let children come into contact with the tool. Supervision is required when inexperienced operators use this tool.

- Young children and the infirm. This appliance is not intended for use by young children or infirm persons without supervision.
- This product is not intended for use by persons (including children) suffering from diminished physical, sensory or mental abilities; lack of experience, knowledge or skills unless they are supervised by a person responsible for their safety. Children should never be left alone with this product.

## ASSEMBLY AND ADJUSTMENTS



**WARNING:** To reduce the risk of serious personal injury, turn tool off and disconnect tool from power source before making any adjustments or removing/installing attachments or accessories. Be sure the trigger switch is in the OFF position. An accidental start-up can cause injury.

## Attaching and Removing the Dust Extraction System to a Cordless Tool

### DCH283, DCH323, DCH333 and DCH334 Only



**WARNING:** To reduce the risk of personal injury, ALWAYS operate the tool with the side handle properly installed and securely tightened. Failure to do so may result in the side handle slipping during tool operation and subsequent loss of control. Hold tool with both hands to maximize control.

### To Attach the Dust Extraction System (Fig. A, B)

Your dust extraction system comes ready to use with the cordless DCH283, DCH323, DCH333 and DCH334.

1. Remove the drill bit if attached to the rotary hammer.
2. Ensure the base release buttons 2 are depressed and locked in the open position before attempting to fit the dust extraction system to the rotary hammer.
3. Insert hammer into the extractor, ensuring that both the support grooves 18 are aligned on the sides of the hammer to the dust extractor. The base release buttons will click into the locked position when hammer is properly seated in the extractor.

**NOTE:** The hammer will not slide into the dust extractor if the base release buttons are in the locked position.


4. Test to see if the dust extractor is properly installed on the rotary hammer:
  - a. Install the dust extractor.
  - b. Start your drilling operation and stop after 6 mm.
  - c. Lift the tool and check if the dust extraction is working. There should be no debris.
  - d. If the dust extractor is operating properly continue your work.

### To Remove the System

To remove the dust extraction system, pull downwards on the two extractor base release buttons and slide the extraction system off the rails. (Fig. B).

## Attaching and Removing the Dust Extraction System to a Corded Tool

### D25333 and D25334 Only

-  **WARNING:** To reduce the risk of personal injury, **ALWAYS** operate the tool with the side handle properly installed and securely tightened. Failure to do so may result in the side handle slipping during tool operation and subsequent loss of control. Hold tool with both hands to maximize control.

### To Attach the Dust Extraction System (Fig. A, B)

To use the dust extractor with the D25333 and D25334 you will first need to install the corded tool adapter **17** and the corded dust extraction head.

1. Remove the drill bit if attached to the rotary hammer.
2. Install the corded dust extraction head on the dust extractor.
3. Ensure the base release buttons **2** are depressed and are in the unlocked position before attempting to fit the dust extraction system to the rotary hammer.
4. Attach the adapter by sliding it forward on the grooves. The adapter will click in place when properly installed on the dust extractor.
5. Insert hammer into the extractor, ensuring that both the support grooves **18** are aligned on the sides of the hammer to the dust extractor. The base release buttons will click into the locked position when hammer is properly seated in the extractor.
 



**NOTE:** The hammer will not slide into the dust extractor if the base release buttons are in the locked position.
6. Test to see if the dust extractor is properly installed on the rotary hammer:
  - a. Install the dust extractor.
  - b. Start your drilling operation and stop after 6 mm.
  - c. Lift the tool and check if the dust extraction is working. There should be no debris.
  - d. If the dust extractor is operating properly continue your work.


### To Remove the System

To remove the dust extraction system, pull downwards on the two extractor base release buttons and slide the extraction system off the rails. (Fig. B).



## OPERATION

### Instructions for Use

-  **WARNING:** Always observe the safety instructions and applicable regulations.
-  **WARNING:** To reduce the risk of serious personal injury, turn tool off and disconnect tool from power source before making any adjustments or removing/installing attachments or accessories. An accidental start-up can cause injury.

-  **WARNING:** Always read and operate the tool as instructed in the tool instruction manual.

### Proper Hand Position (Fig. F)

-  **WARNING:** To reduce the risk of serious personal injury, **ALWAYS** use proper hand position as shown.
-  **WARNING:** To reduce the risk of serious personal injury, **ALWAYS** hold securely in anticipation of a sudden reaction.

Proper hand position requires one hand on the main handle of the hammer and one hand on the side handle. The side handle must be installed for proper use.

### Switching On and Off

The extraction system automatically starts when the rotary hammer is turned on.

### Filter Cleaning Mechanism

The filter cleaning mechanism is a feature that uses the motor in the extractor to force air through the HEPA filter. Refer to **Emptying the Dust Collector** for instructions on proper use.

### Setting the Drilling Depth (Fig. A)

Press the depth adjustment button **6** on the front of the slider and move it to the desired drilling depth. Release the button.

### Adjusting the Drill Length (Fig. A)

1. Insert the appropriate drill bit.
2. Hold the dust extraction head **8** against a wall.
3. Push the tool to make the drill bit touch the surface wall.
4. Press the length adjustment button **7** on top of the back slider and move it to the desired length. Release the button.
5. Gently withdraw the tool assembly from the wall, taking care that the spring-loaded mechanism does not release.

### Emptying the Dust Collector (Fig. A, D, E)

-  **WARNING:** Wear approved eye protection and approved dust mask when performing this procedure.

The dust collection box **3** should be emptied as soon as the performance has noticeably decreased or is full.

1. Press the dust collection box release buttons **4** and pull the dust collection box away from the dust extraction system. Once the catch mechanism is clear of the dust extraction system the upper joint will also release allowing the dust collection box to be removed completely.



- To empty the dust collection box **3** position it over a suitable container to catch the dust contained within it. Lift up the release catch **11** to open the dust collection box, separating the canister from the lid. Gently tapping the dust collection box will encourage any dust trapped within the filter to also be removed. Once the filter lid and canister are empty reattach them, ensuring the release catch **11** is securely fastened. Refer to Figure E.
- To reattach the dust collection box to the dust extraction system first insert the rounded profile of the upper joint into the recess on the dust extraction system. Pivot the dust collection box down so that the release buttons click back into place. Refer to Figure D.
- With the dust collection box properly installed, depress the filter cleaning mechanism **16** and squeeze trigger on tool. Allow the system to run for 5 seconds and release trigger. This should be done after every emptying of the dust collection box.

**NOTE:** Use of a Dust Box Evacuator (DWH079D) provides an easy solution to safely empty and dispose of the dust stored inside the dust box. Remove the dust box from your tool, slide it onto the Dust Box Evacuator and attach it to a dedicated stand-alone dust extractor, allowing for the emptying of the dust box in seconds.

## MAINTENANCE

Your DEWALT dust extraction system has been designed to operate over a long period of time with a minimum of maintenance. Continuous satisfactory operation depends upon proper care and regular cleaning.

**WARNING:** To reduce the risk of serious personal injury, turn tool off and disconnect battery pack or power source before making any adjustments or removing/installing attachments or accessories. An accidental start-up can cause injury.

**WARNING:** Use only DEWALT replacement parts.

## Replacing the Dust Collection Filter Box Element (Fig. A, D, E)

**WARNING:** Wear approved eye protection and approved dust mask when performing this procedure.

**NOTE:** The filter should be replaced after every 350 full to empty filter box emptying cycles.

- Press the dust collection box release buttons **4** and pull the dust collection box away from the dust extraction system. Once the catch mechanism is clear of the dust extraction system the upper joint will also release allowing the dust collection box to be removed completely.
- Discard dust collection box **3** replace with a new filter box.
- Reattach the dust collection box to the dust extraction system first insert the rounded profile of the upper joint into the recess on the dust extraction system. Pivot the dust collection box down so that the release buttons click back into place.

## Replacing the Dust Brush (Fig. G)

**WARNING:** Wear approved eye protection and approved dust mask when performing this procedure.

The dust brush will wear during use and will need to be replaced at the same time as the filter.

- Push the snap-fit button **14**, and pull the dust extraction head **8** out of the head holder.
- Insert the new extraction head back into the head holder. The centreing pin will stick into the open end of the dust brush and secure it in place.



## Cleaning

**WARNING:** Blow dirt and dust out of the main housing with dry air as often as dirt is seen collecting in and around the air vents. Wear approved eye protection and approved dust mask when performing this procedure.

**WARNING:** Never use solvents or other harsh chemicals for cleaning the non-metallic parts of the tool. These chemicals may weaken the materials used in these parts. Use a cloth dampened only with water and mild soap. Never let any liquid get inside the tool; never immerse any part of the tool into a liquid.

**WARNING:** Wear approved eye protection and approved dust mask when performing this procedure.

## Cleaning the Dust Collector

**WARNING:** Do not use a brush to clean the dust collector or filter.


During intensive use the dust collector becomes clogged with dust. Refer to **Emptying the Dust Collector** under **Operation**.

## Optional Accessories

**WARNING:** Since accessories, other than those offered by DEWALT, have not been tested with this product, use of such accessories with this tool could be hazardous. To reduce the risk of injury, only DEWALT recommended accessories should be used with this product.

Consult your dealer for further information on the appropriate accessories.

## Protecting the Environment

 Separate collection. Products marked with this symbol must not be disposed of with normal household waste.

 Products contain materials that can be recovered or recycled reducing the demand for raw materials. Please recycle electrical products according to local provisions. Further information is available at [www.2helpU.com](http://www.2helpU.com).

# СИСТЕМА УДАЛЕНИЯ ПЫЛИ D25304DH

## Поздравляем!

Вы приобрели инструмент DEWALT. Многолетний опыт, тщательная разработка изделий и инновации делают компанию DEWALT одним из самых надёжных партнеров для пользователей профессионального электроинструмента.

## Технические характеристики

		D25304DH
Контактное давление	Н	80
Макс. глубина сверления	мм	180
Макс. диаметр сверления	мм	26



**ВНИМАНИЕ:** Во избежание риска получения травм ознакомьтесь с инструкцией.

## Обозначения: правила техники безопасности

Ниже описывается уровень опасности, обозначаемый каждым из предупреждений. Прочитайте руководство и обратите внимание на данные символы.



**ОПАСНО:** Обозначает опасную ситуацию, которая неизбежно приведет к **серьезной травме или смертельному исходу**, в случае несоблюдения соответствующих мер безопасности.



**ВНИМАНИЕ:** Указывает на потенциально опасную ситуацию, которая, в случае несоблюдения соответствующих мер безопасности, может привести к **серьезной травме или смертельному исходу**.



**ПРЕДУПРЕЖДЕНИЕ:** Указывает на потенциально опасную ситуацию, которая, в случае несоблюдения соответствующих мер безопасности **может** стать причиной травм **средней или легкой степени тяжести**.

**ПОЯСНЕНИЕ:** Указывает на практики, использование которых не связано с получением травмы, но если ими пренебречь, могут привести к **порче имущества**.



Указывает на риск поражения электрическим током.



Указывает на риск возгорания.

## Правила техники безопасности



**ВНИМАНИЕ!** Обязательно соблюдайте действующие национальные правила техники безопасности для сведения к минимуму опасности пожара, поражения электрическим током и прочих травм.

Прежде чем приступить к работе с этим приспособлением, внимательно прочтите настоящее руководство. Также обратитесь к руководству по эксплуатации

электроинструмента, с которым используется это приспособление.

## СОХРАНИТЕ НАСТОЯЩЕЕ РУКОВОДСТВО ДЛЯ ИСПОЛЬЗОВАНИЯ В БУДУЩЕМ

### Общие правила техники безопасности

- Содержите рабочее место в чистоте.**  
Загромождение рабочей зоны и верстака может стать причиной несчастного случая.
- Не подпускайте близко детей. Не допускайте детей к инструменту.** Для детей младше 16 лет необходим надзор.
- Правильно подбирайте инструмент. Далее в руководстве приводятся виды работ, для которых предназначен данный инструмент. Маломощный инструмент или приспособления нельзя использовать для тяжелых работ.**  
Правильно подобранный инструмент выполнит работу более эффективно и безопасно при стандартной нагрузке.



**ВНИМАНИЕ:** Применение любых принадлежностей и приспособлений, а также выполнение любых операций помимо тех, которые рекомендованы данным руководством, может привести к травме.

### Дополнительные специальные правила техники безопасности для систем удаления пыли

- Используйте пылезащитную маску для защиты дыхательных путей от остаточной пыли при сверлении и обслуживании инструмента или технических принадлежностей.
- Всегда пользуйтесь боковой рукояткой на перфораторе, даже при закрепленном пылеуловителе.
- Используйте только с установленным фильтром.
- Не используйте приспособление для сверления дерева, стали и пластмассы.
- Не используйте приспособление для колонкового бурения.
- Не используйте приспособление для выдалбливания.
- Используйте только рекомендованные DEWALT электроинструменты с этим приспособлением. За дополнительной информацией об электроинструментах DEWALT, совместимых с данным приспособлением, обратитесь к своему продавцу, по адресам на обратной стороне данного руководства или посетите сайт [www.dewalt.com](http://www.dewalt.com).
- Не используйте инструмент в условиях повышенной влажности.
- Не разрешайте детям играть с устройством. При работе рядом с детьми необходимо особое внимание.

- Используйте устройство так, как описано в данном руководстве. Используйте только рекомендованные производителем приспособления.
- Не вставляйте какие-либо предметы в отверстия устройства. Не пользуйтесь устройством с закрытыми вентиляционными отверстиями, следите за тем, чтобы в них не скапливалась пыль, ворс, волосы или что-либо еще, что может помешать прохождению воздушного потока.
- Следите за тем, чтобы свободная одежда, пальцы и другие части тела не попадали в отверстия или движущиеся части устройства.
- Не используйте устройство для сбора легковоспламеняющихся или взрывоопасных жидкостей (например бензина) и не используйте его в местах, где есть такие жидкости.

## Остаточные риски

При использовании системы удаления пыли присутствуют следующие риски:

- Травмы в результате контакта с вращающимися или горячими деталями инструмента

Несмотря на соблюдение соответствующих инструкций по технике безопасности и использование предохранительных устройств, некоторые остаточные риски невозможно полностью исключить. А именно:

- Ухудшение слуха.
- Риск защемления пальцев при смене дополнительных принадлежностей.
- Угроза здоровью вследствие вдыхания пыли, которая образуется при работе с бетоном и/или кирпичной кладкой.

## Комплектация поставки

В комплектацию входит:

- 1 Система пылеудаления
- 1 Аккумуляторная головная часть пылеотвода/щетка для удаления пыли
- 1 Сетевая головная часть пылеотвода/щетка для удаления пыли
- 1 Переходник для сетевого инструмента
- 1 Руководство по эксплуатации
- Проверьте инструмент на предмет отсутствия поврежденных деталей или аксессуаров, которые могли произойти во время транспортировки.
- Найдите время и внимательно прочитайте инструкцию и разберитесь в ней, прежде, чем приступить к работе.

## Пометки на системе удаления пыли

На инструмент нанесены следующие обозначения:



Перед началом работы прочтите руководство по эксплуатации.

## Место положения кода даты (Рис. [Fig.] A)

Код даты, который также включает в себя год изготовления, отштампован на поверхности корпуса инструмента.

Пример:

2020 XX XX  
Год изготовления

## Описание (Рис. A–C, E, G)



**ВНИМАНИЕ:** Никогда не вносите изменения в конструкцию электроинструмента или какой-либо его части. Это может привести к повреждению или травме.

- 1 Система пылеудаления
- 2 Кнопки фиксатора основания пылеотвода
- 3 Пылесборник
- 4 Отпирающие кнопки пылесборника
- 5 Телескопическая труба
- 6 Кнопка ограничителя глубины сверления
- 7 Кнопка ограничителя длины бура
- 8 Головная часть пылеотвода
- 9 Щетка для удаления пыли
- 10 Фиксирующий и отпирающий язычок
- 11 Защелка
- 12 Основание перфоратора
- 13 Фильтр
- 14 Защелкивающийся разъем
- 15 Рама фильтра
- 16 Механизм чистки фильтра
- 17 Переходник для сетевого инструмента
- 18 Опорные пазы

## Назначение

Система пылеудаления D25304DH предназначена для удаления пыли в ходе профессиональных работ по сверлению с ударом в кирпичной кладке или бетоне с использованием сплошных буров. НЕ ИСПОЛЬЗУЙТЕ устройство для сверления пластиков, древесины или металла. НЕ ИСПОЛЬЗУЙТЕ с полыми долотами или коронками.

Данная система пылеудаления подходит для использования с аккумуляторными и сетевыми перфораторами DEWALT 18 В SDS Plus DCH283, 54 В SDS Plus DCH323, DCH333 и DCH334, а также SDS Plus D25333 и D25334. Дополнительную информацию об электроинструментах DEWALT, совместимых с данным устройством, вы сможете получить у местного дилера. Адреса дилеров можно найти на последней странице данного руководства по эксплуатации или в интернете по адресу [www.dewalt.com](http://www.dewalt.com).

**НЕ ИСПОЛЬЗУЙТЕ** в условиях повышенной влажности или поблизости от легковоспламеняющихся жидкостей или газов.

Система пылеудаления является дополнительным приспособлением для использования с профессиональными электроинструментами.

**НЕ РАЗРЕШАЙТЕ** детям прикасаться к изделию.

Использование устройства неопытными пользователями должно происходить под контролем опытного коллеги.

- Данное изделие не может использоваться людьми (включая детей) со сниженными физическими, сенсорными и умственными способностями или при отсутствии необходимого опыта или навыка, за исключением, если они выполняют работу под присмотром лица, отвечающего за их безопасность. Не оставляйте детей с устройством без присмотра.

## СБОРКА И РЕГУЛИРОВКА



**ВНИМАНИЕ:** Чтобы снизить риск получения серьезной травмы, необходимо выключить инструмент и отсоединить батарею, прежде чем выполнять какую-либо регулировку либо удалять/устанавливать какие-либо насадки или дополнительные принадлежности. Случайный запуск может привести к травме.

## Установка и снятие системы пылеудаления с аккумуляторного инструмента

Только DCH283, DCH323, DCH333 и DCH334



**ВНИМАНИЕ:** Для уменьшения риска получения травмы, ВСЕГДА управляйте инструментом с правильно установленной и надежно затянутой боковой рукояткой. В противном случае во время работы рукоятка будет двигаться, что повлечет за собой потерю контроля над операцией. Удерживайте инструмент обеими руками для максимального контроля.

### Установка системы пылеудаления (Рис. А, В)

Ваша система пылеудаления подходит для использования с аккумуляторными инструментами DCH283, DCH323, DCH333 и DCH334.

1. Снимите с перфоратора бур, если он установлен.
2. Перед установкой системы пылеудаления на перфоратор убедитесь, что кнопки фиксатора основания пылеотвода **2** нажаты и зафиксированы в открытом положении.
3. Вставьте перфоратор в систему пылеудаления, следя за тем, чтобы оба опорных паза **18** на боковых сторонах перфоратора были выровнены с системой пылеудаления. При правильной установке перфоратора в системе пылеудаления кнопки фиксатора основания защелкнутся.

**ПРИМЕЧАНИЕ:** Перфоратор не войдет в систему пылеудаления, если кнопки фиксатора основания не защелкнулись.

4. Проверьте, правильно ли установлена система пылеудаления на перфораторе:
  - a. Установите систему пылеудаления.
  - b. Начните сверление и остановитесь через 6 мм.

- c. Поднимите инструмент и проверьте, работает ли система пылеудаления. Не должно быть следов пыли.
- d. Если система пылеудаления работает правильно, продолжите операцию.

### Снятие системы пылеудаления

Чтобы снять систему пылеудаления, нажмите на обе кнопки фиксатора основания пылеотвода и сдвиньте систему пылеудаления с рельсов. (Рис. В).

## Установка и снятие системы пылеудаления с сетевого инструмента

Только D25333 и D25334



**ВНИМАНИЕ:** Для уменьшения риска получения травмы, ВСЕГДА управляйте инструментом с правильно установленной и надежно затянутой боковой рукояткой. В противном случае во время работы рукоятка будет двигаться, что повлечет за собой потерю контроля над операцией. Удерживайте инструмент обеими руками для максимального контроля.

### Установка системы пылеудаления (Рис. А, В)

Для использования системы пылеудаления с D25333 и D25334 сначала установите переходник для сетевого инструмента **17** и сетевую головную часть пылеотвода.

1. Снимите с перфоратора бур, если он установлен.
2. Установите на систему пылеудаления сетевую головную часть пылеотвода.
3. Перед установкой системы пылеудаления на перфоратор убедитесь, что кнопки фиксатора основания **2** нажаты и зафиксированы в открытом положении.
4. Установите переходник, передвинув его вперед по пазам. При правильной установке на систему пылеудаления переходник защелкнется на месте.
5. Вставьте перфоратор в систему пылеудаления, следя за тем, чтобы оба опорных паза **18** на боковых сторонах перфоратора были выровнены с системой пылеудаления. При правильной установке перфоратора в системе пылеудаления кнопки фиксатора основания защелкнутся.

**ПРИМЕЧАНИЕ:** Перфоратор не войдет в систему пылеудаления, если кнопки фиксатора основания не защелкнулись.




6. Проверьте, правильно ли установлена система пылеудаления на перфораторе:
  - a. Установите систему пылеудаления.
  - b. Начните сверление и остановитесь через 6 мм.
  - c. Поднимите инструмент и проверьте, работает ли система пылеудаления. Не должно быть следов пыли.
  - d. Если система пылеудаления работает правильно, продолжите операцию.

### Снятие системы пылеудаления



Чтобы снять систему пылеудаления, нажмите на обе кнопки фиксатора основания пылеотвода и сдвиньте систему пылеудаления с рельсов. (Рис. В).

## ЭКСПЛУАТАЦИЯ

### Инструкции по использованию

-  **ВНИМАНИЕ:** Всегда следуйте указаниям действующих норм и правил безопасности.
-  **ВНИМАНИЕ:** Чтобы снизить риск получения серьезных травм, выключайте инструмент и отключайте его от сети перед тем, как выполнять какие-либо настройки или снимать/устанавливать насадки или принадлежности. Случайный запуск может привести к травме.
-  **ВНИМАНИЕ:** Всегда читайте руководство по эксплуатации инструмента и используйте инструмент в соответствии с указаниями.

### Правильное положение рук во время работы (Рис. F)

-  **ВНИМАНИЕ:** Для уменьшения риска получения тяжелой травмы, **ВСЕГДА** правильно удерживайте инструмент, как показано на рисунке.
-  **ВНИМАНИЕ:** Для уменьшения риска получения тяжелой травмы, **ВСЕГДА** надежно удерживайте инструмент, предупреждая внезапные сбои в работе.

При правильном расположении рук правая рука находится на основной рукоятке перфоратора, другая рука - на боковой рукоятке. Для правильного использования должна быть установлена боковая рукоятка.

### Включение и выключение

Система пылеудаления автоматически начнет свою работу при запуске перфоратора.

### Механизм чистки фильтра

Механизм чистки фильтра - это функция, которая использует двигатель в устройстве пылеудаления для нагнетания воздуха через фильтр HEPA. См. в разделе «Опорожнение пылесборника» инструкции по правильному использованию.


### Настройка глубины сверления (Рис. A)

Нажмите на кнопку ограничителя глубины **6**, расположенную в передней части стержня, и передвиньте ее на необходимую глубину сверления. Отпустите кнопку.

### Регулировка длины бура (Рис. A)

1. Вставьте соответствующий бур.
2. Прижмите головную часть пылеотвода **8** к стене.
3. Надавите на инструмент, чтобы наконечник бура коснулся поверхности стены.
4. Нажмите на кнопку ограничителя длины **7**, расположенную в задней части стержня, и передвиньте ее на необходимую длину бура. Отпустите кнопку.
5. Аккуратно отведите инструмент с устройством от стены, следя за тем, чтобы не сработал пружинный механизм.

### Опорожнение пылесборника (Рис. A, D, E)


 **ВНИМАНИЕ:** Выполняйте данную процедуру, надев защитные очки и респиратор утвержденного типа. Пылесборник **3** должен опорожняться при заметном снижении производительности инструмента.


1. Нажмите на две отпирающие кнопки пылесборника **4** и снимите пылесборник с системы пылеудаления. После того как фиксирующий механизм на системе пылеудаления будет разблокирован, откроется верхний соединитель, позволяя полностью снять пылесборник.
2. Для опорожнения скопившейся пыли в пылесборнике **3** используйте соответствующий контейнер. Поднимите и отпустите защелку **11** пылесборника, открывая пылесборник и снимая его крышку. Осторожно постучите по пылесборнику, что поможет также удалить пыль, собравшуюся в фильтре. После опорожнения фильтра и пылесборника установите их на место, убедившись, что защелка **11** надежно зафиксирована. См. Рисунок E.
3. Для установки пылесборника в предназначенное для него гнездо в системе пылеудаления сначала вставьте в гнездо закругленную верхнюю часть пылесборника. Затем надавите на нижнюю часть пылесборника, чтобы отпирающие кнопки защелкнулись на месте. См. Рисунок D.
4. Правильно установив пылесборник на место, нажмите на механизм чистки фильтра **16** и следом нажмите на курковый пусковой выключатель инструмента. Позвольте системе поработать 5 секунд, затем отпустите курковый пусковой выключатель. Данное действие должно выполняться после каждого опорожнения пылесборника.

**ПРИМЕЧАНИЕ:** Использование пылеудалительной камеры (DWH079D) обеспечивает простое решение для безопасного опорожнения и удаления пыли, хранящейся внутри пылесборника. Снимите пылесборник с вашего инструмента, вдвиньте его в пылеудалительную камеру и подсоедините камеру к изолированному пылесосу, позволяя опорожнить пылесборник за считанные секунды.

### ТЕХНИЧЕСКОЕ ОБСЛУЖИВАНИЕ

Ваша система пылеудаления DeWALT рассчитана на работу в течение продолжительного времени при минимальном техническом обслуживании. Срок службы и надежность использования увеличивается при правильном уходе и регулярной чистке.

 **ВНИМАНИЕ:** Чтобы снизить риск получения серьезных травм, выключайте инструмент и отключайте его от сети перед тем, как выполнять какие-либо настройки или снимать/устанавливать насадки или аксессуары. Случайное включение инструмента может стать причиной травмы.

 **ВНИМАНИЕ:** Используйте только запасные части DeWALT.

## Замена фильтра пылесборника

(Рис. А, D, E)

**⚠ ВНИМАНИЕ:** Выполняйте данную процедуру, надев защитные очки и респиратор утвержденного типа.

**ПРИМЕЧАНИЕ:** Фильтр следует заменять после каждых 350 циклов опорожнения фильтра.

1. Нажмите на две отпирающие кнопки пылесборника **4** и снимите пылесборник с системы пылеудаления. После того как фиксирующий механизм на системе пылеудаления будет разблокирован, откроется верхний соединитель, позволяя полностью снять пылесборник.
2. Снимите пылесборник **3** и замените блок фильтров.
3. Установите пылесборник в предназначенное для него гнездо в системе пылеудаления сначала вставьте в гнездо закругленную верхнюю часть пылесборника. Затем надавите на нижнюю часть пылесборника, чтобы отпирающие кнопки защелкнулись на месте.

## Замена щетки для удаления пыли (Рис. G)

**⚠ ВНИМАНИЕ:** Выполняйте данную процедуру, надев защитные очки и респиратор утвержденного типа.

В процессе использования щетки для удаления пыли изнашивается и подлежит замене в то же время, что и фильтр.

1. Нажмите на кнопку защелки **14**, и вытяните головную часть пылеотвода **8** из держателя.
2. Вставьте новую головную часть пылеотвода в держатель. Центрирующий стержень войдет в открытый конец щетки и будет удерживать ее на месте.



### Чистка

**⚠ ВНИМАНИЕ:** Выдувайте грязь и пыль из корпуса сухим сжатым воздухом по мере видимого скопления грязи внутри и вокруг вентиляционных отверстий. Выполняйте очистку, надев средство защиты глаз и респиратор утвержденного типа.

**⚠ ВНИМАНИЕ:** Никогда не используйте растворители или другие агрессивные химические средства для очистки неметаллических деталей инструмента. Эти химикаты могут ухудшить свойства материалов, примененных в данных деталях. Используйте ткань, смоченную в воде с мягким мылом. Не допускайте попадания какой-либо жидкости внутрь инструмента; ни в коем случае не погружайте какую-либо часть инструмента в жидкость.

**⚠ ВНИМАНИЕ:** Выполняйте данную процедуру, надев защитные очки и респиратор утвержденного типа.

### Чистка пылесборника

**⚠ ВНИМАНИЕ:** Ни в коем случае не используйте щетку для чистки пылесборника или фильтра.

При интенсивном использовании приспособления пылесборник забивается пылью. См. подраздел «Опорожнение пылесборника» в разделе «Эксплуатация».

## Дополнительные принадлежности

**⚠ ВНИМАНИЕ:** Поскольку принадлежности, отличные от тех, которые предлагает DEWALT, не проходили тесты на данном изделии, то использование этих принадлежностей может привести к опасной ситуации. Во избежание риска получения травмы, с данным продуктом должны использоваться только рекомендованные DEWALT дополнительные принадлежности.

По вопросу приобретения дополнительных принадлежностей обращайтесь к Вашему дилеру.

## Защита окружающей среды



Отдельная утилизация. Изделия с данным символом на маркировке запрещается утилизировать с обычными бытовыми отходами.

Изделия содержат материалы, которые могут быть извлечены или переработаны, снижая потребность в исходном сырье. Пожалуйста, утилизируйте электрические изделия в соответствии с местными нормами. Дополнительная информация доступна по адресу [www.2helpU.com](http://www.2helpU.com).



**Приложение к руководству по эксплуатации электрооборудования для определения месяца производства по номеру текущей календарной недели года**

Электрооборудование торговых марок "Dewalt", "Stanley", "Stanley FatMAX", "BLACK+DECKER".

Директивы 2014/30/EU ЕВРОПЕЙСКОГО ПАРЛАМЕНТА И СОВЕТА от 26 февраля 2014 г. "О гармонизации законодательств Государств-членов ЕС в области электромагнитной совместимости", 2006/42/ЕС ЕВРОПЕЙСКОГО ПАРЛАМЕНТА И СОВЕТА от 17 мая 2006 г. "О машинах и оборудовании"; 2014/35/EU ЕВРОПЕЙСКОГО ПАРЛАМЕНТА И СОВЕТА от 26 февраля 2014 г. "О гармонизации законодательств государств-членов в области размещения на рынке электрооборудования, предназначенного для использования в определенных пределах напряжения". Серийный выпуск.

**ТОВАР СЕРТИФИЦИРОВАН**

Орган по сертификации "РОСТЕСТ- Москва", Адрес: 119049, г. Москва, улица Житная, д. 14, стр. 1; 117418, Москва, Нахимовский просп., 31 (фактический), Телефон: (499) 1292311, (495) 6682893, Факс: (495) 6682893, E-mail: office@rostest.ru  
Изготовитель: Изготовитель: Блэк энд Деккер Холдингс ГмбХ, Германия, 65510, Идштайн, ул. Блэк энд Деккер, 40, тел. +496126212790.

**Уполномоченное изготовителем юр.лицо:**

ООО "Стэнли Блэк энд Деккер", 117485, город Москва, улица Обручева, дом 30/1, строение 2  
Телефон: + 7 (495) 258-3981, факс: + 7 (495) 258-3984, E-mail: info@dewalt.com  
Сведения о импортере указаны в сопроводительной документации и/или на упаковке

**Хранение.**

Необходимо хранить в сухом месте, вдали от источников повышенных температур и воздействия солнечных лучей. При хранении необходимо избегать резкого перепада температур. Хранение без упаковки не допускается

**Срок службы.**

Срок службы изделия составляет 5 лет. Не рекомендуется к эксплуатации по истечении 5 лет хранения с даты изготовления без предварительной проверки.

Дата изготовления (код даты) указана на корпусе инструмента. Код даты, который также включает год изготовления, отштампован на поверхности корпуса изделия.

**Пример:**

2014 46 XX, где 2014 –год изготовления, 46-неделя изготовления. Определить месяц изготовления по указанной неделе изготовления можно согласно приведенной ниже таблице.

**Транспортировка.**

Категорически не допускается падение и любые механические воздействия на упаковку при транспортировке. При разгрузке/погрузке не допускается использование любого вида техники, работающей по принципу зажима упаковки.

**Перечень критических отказов, возможные ошибочные действия персонала.**

Не допускается эксплуатация изделия:

- При появлении дыма из корпуса изделия
- При поврежденном и/или оголенном сетевом кабеле
- при повреждении корпуса изделия, защитного кожуха, рукоятки
- при попадании жидкости в корпус
- при возникновении сильной вибрации
- при возникновении сильного искрения внутри корпуса

**Критерии предельных состояний.**

- При поврежденном и/или оголенном сетевом кабеле
- при повреждении корпуса изделия

Месяц	Январь	Февраль	Март	Апрель	Май	Июнь	Июль	Август	Сентябрь	Октябрь	Ноябрь	Декабрь	Год производства
Неделя	1	5	9	14	18	23	27	31	36	40	44	49	2018
	2	6	10	15	19	24	28	32	37	41	45	50	
	3	7	11	16	20	25	29	33	38	42	46	51	
	4	8	12	17	21	26	30	34	39	43	47	52	
			13		22			35			48		
Неделя	1	6	10	14	18	23	27	31	36	40	45	49	2019
	2	7	11	15	19	24	28	32	37	41	46	50	
	3	8	12	16	20	25	29	33	38	42	47	51	
	4	9	13	17	21	26	30	34	39	43	48	52	
	5					22			35		44		
Неделя	1	6	10	14	19	23	27	32	36	40	45	49	2020
	2	7	11	15	20	24	28	33	37	41	46	50	
	3	8	12	16	21	25	29	34	38	42	47	51	
	4	9	13	17	22	26	30	35	39	43	48	52	
	5				18		31			44			
Неделя	2	6	10	14	19	23	27	32	36	41	45	49	2021
	3	7	11	15	20	24	28	33	37	42	46	50	
	4	8	12	16	21	25	29	34	38	43	47	51	
	5	9	13	17	22	26	30	35	39	44	48	52	
					18		31		40			1	
Неделя	2	6	10	15	19	23	28	32	36	41	45	49	2022
	3	7	11	16	20	24	29	33	37	42	46	50	
	4	8	12	17	21	25	30	34	38	43	47	51	
	5	9	13	18	22	26	31	35	39	44	48	52	
				14		27			40			1	

# СИСТЕМА ВИДАЛЕННЯ ПИЛУ D25304DH

## Вітаємо вас!

Ви обрали інструмент виробництва компанії DeWALT. Ретельна розробка продукції, багаторічний досвід фірми у виробництві інструментів, різні вдосконалення, все це зробило інструменти DeWALT є одними із найнадійніших помічників для тих, хто використовує електричні інструменти у своїй професії.

## Технічні дані

		D25304DH
Контактний тиск	Н	80
Макс. глибина свердління	мм	180
Макс. діаметр свердління	мм	26



**ПОПЕРЕДЖЕННЯ:** Уважно прочитайте керівництво з експлуатації для зменшення ризику отримання травм.

## Позначення: інструкції з техніки безпеки

Умовні позначення, наведені нижче, описують рівень важливості кожної попереджувальної вказівки. Прочитайте керівництво з експлуатації та зверніть увагу на символи, наведені нижче.



**НЕБЕЗПЕЧНО:** Вказує на безпосередню загрозу, яка, якщо її не уникнути, призведе до смерті або серйозної травми.



**ПОПЕРЕДЖЕННЯ:** Вказує на потенційну загрозу, ігнорування якої може призвести до смерті або серйозної травми.



**УВАГА:** Вказує на потенційну загрозу, ігнорування якої може призвести до травми легкої або середньої тяжкості.

**ПРИМІТКА:** Вказує на ситуацію, не пов'язану з особистою травмою, ігнорування цієї ситуації може призвести до пошкодження майна.



Вказує на ризик ураження електричним струмом.



Вказує на ризик виникнення пожежі.

## Інструкції з техніки безпеки



**УВАГА!** Завжди дотримуйтесь правил з техніки безпеки, що діють у вашій країні, для зменшення ризику пожежі, ураження електричним струмом та отримання травм.

Перед роботою з насадкою уважно прочитайте цей посібник. Також див. посібник з експлуатації будь-якого електричного інструменту, який буде використовуватися з цією насадкою.

## ЗБЕРІГАЙТЕ ЦЕ КЕРІВНИЦТВО ДЛЯ ОТРИМАННЯ ІНФОРМАЦІЇ В ПОДАЛЬШОМУ.

## Загальні правила безпеки

- Тримайте роботу зону чистою.** Неупорядковані робочі зони та верстаки збільшують ймовірність нещасного випадку.
  - Тримайте дітей подалі від робочої зони. Не дозволяйте дітям підходити на небезпечну відстань та торкатися інструмента.** За особами, які не досягли 16 років, потрібен нагляд.
  - Використовуйте відповідний інструмент.** Використання за призначенням описане в цьому керівництві з використання. Малопотужний інструмент або насадки не можна використовувати для робіт, які потрібно виконувати за допомогою більш потужного інструменту. Інструмент виконує роботу краще та безпечніше зі швидкістю, на яку він розрахований.
- ПОПЕРЕДЖЕННЯ:** Використання будь-яких аксесуарів чи додаткових інструментів, або виконання операцій, неописаних в цьому керівництві, може призвести до особистих травм.



## Додаткові спеціальні правила безпеки для систем видалення пилу

- При свердлінні і обслуговуванні інструменту або приладдя використовуйте пилозахисну маску, щоб не допустити потрапляння залишків пилу в дихальні шляхи.
- Завжди використовуйте бокову ручку роторного перфоратора, навіть при встановленому пиლოსосі.
- Використовувати тільки зі встановленим фільтром.
- Не використовуйте насадку для свердління отворів в дереві, сталі або пластику.
- Не використовуйте насадку при колонковому бурінні.
- Не використовуйте насадку для довбання.
- Використовуйте з даної насадкою тільки рекомендовані DeWALT електричні інструменти. Для отримання додаткової інформації про електричні інструменти DeWALT, сумісні з даними насадками, зв'яжіться з місцевим дилером за адресою, вказаною на зворотному боці посібника, або відвідайте сайт [www.dewalt.com](http://www.dewalt.com).
- Не використовуйте інструмент в умовах підвищеної вологості.
- Не допускайте використання в якості іграшки. Необхідно приділяти пильну увагу при використанні пристрою дітьми або поруч з ними.
- Використовуйте тільки у спосіб, описаний в цьому посібнику. Використовуйте лише рекомендовані виробником насадки.
- Не кладіть інші предмети на отвори пристрою. Не використовуйте із заблокованими отворами, стежте за тим, щоб у них не накопичувалися пил,



ворс, волосся тощо, аби не перешкодити проходженню повітряного потоку.

- Слідкуйте за тим, щоб вільний одяг, пальці та інші частини тіла не потрапляли в отвори або рухомі частини приладу.
- Не використовуйте для збирання легкозаймистих або вибухонебезпечних рідин, таких як бензин, і не використовуйте пристрій в місцях, де вони можуть знаходитись.

## Залишкові ризики

Ризики, які можуть залишитися при використанні системи видалення пилу:

- Травми через контакт з деталями, що обертаються, або гарячими деталями інструмента

Дотримання всіх правил техніки безпеки та застосування пристроїв безпеки не гарантує уникнення певних залишкових ризиків. До такого переліку належать:

- Порушення слуху.
- Ризик затиснення пальців при заміні насадок.
- Небезпека для здоров'я через вдихання пилу, що утворюється при свердлінні бетону та/або кладки.

## Комплект поставки

Комплект містить:

- 1 Система видалення пилу
- 1 Кришка бездротового пиლოსоса/щітка для видалення пилку
- 1 Кришка дротового пиლოსоса/щітка для видалення пилку
- 1 Адаптер для дротового інструменту
- 1 Посібник з експлуатації
- Перевірте інструмент, деталі та приладдя на пошкодження, що могли виникнути під час транспортування.
- Перед використанням уважно прочитайте та повністю зрозумійте це керівництво.

## Маркування на системі видалення пилу

На інструменті є наступні піктограми:



Прочитайте інструкції цього керівництва перед використанням.

## Розташування коду дати (Рис. [Fig.] A)

Код дати, що включає також рік виробництва, зазначений на корпусі.

Приклад:

2020 XX XX  
Рік виробництва

## Опис (рис. А–С, Е, G)



**ПОПЕРЕДЖЕННЯ:** Ніколи не модифікуйте електричні інструменти та їхні деталі. Інакше вони можуть стати причиною пошкодження майна або тілесних ушкоджень.

- 1 Система видалення пилу
- 2 Кнопки розблокування підставки
- 3 Пилозбірник
- 4 Кнопки розблокування пиłosозбірника
- 5 Телескоп
- 6 Кнопка регулювання глибини
- 7 Кнопка регулювання довжини
- 8 Кришка пиლოსоса
- 9 Щітка для видалення пилку
- 10 Опора блокування і розблокування
- 11 Фіксатор
- 12 Стіяка перфоратора
- 13 Фільтр
- 14 Фіксувальний роз'єм
- 15 Рама фільтра
- 16 Механізм очищення фільтра
- 17 Адаптер для дротового інструменту
- 18 Опорні пази

## Область застосування

Система видалення пилу D25304DH була розроблена для видалення пилу при професійному перфоруванні в кладці або бетоні, з суцільними свердлами, встановленими на електричному інструменті. НЕ використовуйте для свердління пластмаси, дерева або металу. НЕ використовуйте з порожніми насадками або коронками. Ця система видалення пилу підходить до бездротового перфоратора DeWALT 18 V SDS Plus DCH283, бездротових перфораторів 54 V SDS Plus DCH323, DCH333 і DCH334, та дротових перфораторів SDS Plus D25333 і D25334. Для отримання додаткової інформації про електричні інструменти DeWALT, сумісні з цим обладнанням, зверніться до місцевого дилера, див. адреси в кінці цього посібника або відвідайте веб-сайт [www.dewalt.com](http://www.dewalt.com).

**НЕ** використовуйте її в умовах підвищеної вологості або у присутності легкозаймистих рідин та газів.

Система видалення пилу – це обладнання для використання з професійними електричними інструментами.

**НЕ** дозволяйте дітям підходити та торкатися інструмента. Використання інструмента недосвідченими операторами потребує нагляду.

- Цей пристрій не призначений для використання особами (включаючи дітей) із зниженими фізичними, сенсорними або розумовими можливостями або особами, яким бракує досвіду або знань за винятком випадків, коли такі особи працюють під наглядом особи, яка несе відповідальність за їх безпеку. Не можна залишати дітей наодинці з цим пристроєм.

## МОНТАЖ ТА НАЛАШТУВАННЯ



**ПОПЕРЕДЖЕННЯ:** Щоб знизити ризик серйозних тілесних ушкоджень, вимкніть інструмент та відключіть акумулятор перед виконанням будь-яких налаштувань або зніманням/встановленням додаткового обладнання або

*приладдя. Випадковий запуск може призвести до травм.*

## Встановлення і зняття системи видалення пилу з бездротового інструменту

Лише DCH283, DCH323, DCH333 і DCH334



**ПОПЕРЕДЖЕННЯ.** Для зниження ризику отримання травм ЗАВЖДИ користуйтеся інструментом з правильно встановленою і надійно затягнутою боковою ручкою. Інакше під час роботи бокова ручка буде рухатися, що може спричинити втрату контролю над інструментом. Для кращого контролю утримуйте інструмент обома руками.

### Встановлення системи видалення пилу (рис. А, В)

Ваша система видалення пилу постачається готовою до роботи з бездротовими пристроями DCH283, DCH323, DCH333 і DCH334.

1. Зніміть свердло, якщо воно прикріплене до роторного перфторатора.
2. Перед встановленням системи видалення пилу на роторний перфторатор переконайтеся, що кнопки розблокування підставки **2** натиснуті і заблоковані у відкритому положенні.
3. Вставте перфторатор в пилосос, переконавшись, що обидва опорні пази **18** вирівняні по боках перфторатора щодо пилососа. При правильному розміщенні перфторатора в пилососі кнопки розблокування підставки клацнуть в положенні блокування.  
**ПРИМІТКА.** Перфторатор не буде зсуватись в пилосос, якщо кнопки розблокування підставки знаходяться в положенні блокування.
4. Перевірте, чи пилосос правильно встановлений на роторному перфтораторі:
  - a. Встановіть пилосос.
  - b. Почніть свердління і зупиніться через 6 мм.
  - c. Підніміть інструмент і перевірте, чи працює система видалення пилу. Там не має бути сміття.
  - d. Якщо пилосос працює належним чином, продовжуйте роботу.

### Знімання системи

Щоб зняти систему видалення пилу, потягніть вниз дві кнопки розблокування підставки пилососа і посуньте систему видалення пилу з напрямних. (рис. В).

## Встановлення і зняття системи видалення пилу з дротового інструменту

Лише D25333 і D25334



**ПОПЕРЕДЖЕННЯ.** Для зниження ризику отримання травм ЗАВЖДИ користуйтеся інструментом з правильно встановленою і надійно затягнутою боковою ручкою. Інакше

*під час роботи бокова ручка буде рухатися, що може спричинити втрату контролю над інструментом. Для кращого контролю утримуйте інструмент обома руками.*

### Встановлення системи видалення пилу (рис. А, В)

Для використання системи видалення пилу з D25333 і D25334 спочатку необхідно встановити адаптер для дротового інструменту **17** та кришку дротової системи видалення пилу.

1. Зніміть свердло, якщо воно прикріплене до роторного перфторатора.
2. Встановіть кришку дротової системи видалення пилу на пилосос.
3. Перед встановленням системи видалення пилу на роторний перфторатор переконайтеся, що кнопки розблокування підставки **2** натиснуті і знаходяться у розблокованому положенні.
4. Встановіть адаптер, зсунувши його вперед на пази. При правильному встановленні на пилосос адаптер клацне.
5. Вставте перфторатор в пилосос, переконавшись, що обидва опорні пази **18** вирівняні по боках перфторатора щодо пилососа. При правильному розміщенні перфторатора в пилососі кнопки розблокування підставки клацнуть в положенні блокування.  
**ПРИМІТКА.** Перфторатор не буде зсуватись в пилосос, якщо кнопки розблокування підставки знаходяться в положенні блокування.
6. Перевірте, чи пилосос правильно встановлений на роторному перфтораторі:
  - a. Встановіть пилосос.
  - b. Почніть свердління і зупиніться через 6 мм.
  - c. Підніміть інструмент і перевірте, чи працює система видалення пилу. Там не має бути сміття.
  - d. Якщо пилосос працює належним чином, продовжуйте роботу.

### Знімання системи

Щоб зняти систему видалення пилу, потягніть вниз дві кнопки розблокування підставки пилососа і посуньте систему видалення пилу з напрямних. (рис. В).

## РЕЖИМ РОБОТИ

### Інструкції з використання



**ПОПЕРЕДЖЕННЯ:** Завжди дотримуйтесь усіх інструкцій з техніки безпеки та відповідних норм.



**ПОПЕРЕДЖЕННЯ:** Щоб знизити ризик серйозних травм, вимкніть інструмент та відключіть його від мережі живлення перед виконанням будь-яких налаштувань або зніманням/встановленням насадок або приладдя.

*Випадковий запуск може призвести до травм.*



**ПОПЕРЕДЖЕННЯ.** Завжди ознайомлюйтесь з посібником з експлуатації інструменту і

використовуйте його відповідно до інструкцій, наведених в ньому.

## Належне положення рук (Рис. F)



**ПОПЕРЕДЖЕННЯ:** Щоб знизити ризик серйозних травм, **ЗАВЖДИ** правильно розташуйте руки, як показано.



**ПОПЕРЕДЖЕННЯ:** Щоб знизити ризик серйозних травм, **ЗАВЖДИ** надійно тримайте інструмент, щоб попередити випадкову віддачу.

Правильне положення рук вимагає, щоб одна рука знаходилася на головній ручці перфоратора, а інша – на боковій ручці. Для правильного використання необхідно встановити бокову ручку.

## Увімкнення і вимкнення

Система видалення пилу запускається автоматично при увімкненні роторного перфоратора.

## Механізм очищення фільтра

Механізм очищення фільтра – це функція, яка використовує двигун пилососа для проштовхування повітря через повітряний фільтр надтонкої очистки (HEPA-фільтр). Інструкції щодо **правильного використання див. в розділі** Спорожнення пилососа.

## Встановлення глибини свердління (рис. А)

Натисніть кнопку регулювання глибини **6** на передній частині пересувного перемикача і перемістіть його на бажану глибину свердління. Відпустіть кнопку.

## Регулювання довжини свердла (рис. А)

1. Вставте відповідне свердло.
2. Притисніть кришку пилососа **8** до стіни.
3. Натисніть на інструмент, щоб свердло торкнулося стінки поверхні.
4. Натисніть кнопку регулювання довжини **7** на верхній частині заднього пересувного перемикача і перемістіть його на бажану довжину. Відпустіть кнопку.
5. Обережно приборіть інструмент в зборі від стіни, не допускаючи розблокування підпружиненого механізму.

## Спорожнення пилососа (рис. А, D, E)



**ПОПЕРЕДЖЕННЯ.** Використовуйте рекомендовані засоби захисту органів зору та рекомендовану протипилову маску при виконанні цієї операції.

Пилосос **3** необхідно спорожнювати, як тільки продуктивність помітно знизиться або він наповниться.

1. Натисніть кнопки розблокування пилососа **4** і витягніть пилосос з системи видалення пилу. Після виймання механізму вловлювання з системи видалення пилу вивільняється і верхній шарнір, що дозволяє повністю видалити пилосос.
2. Для спорожнення пилососа **3** встановіть її над відповідним контейнером для збору пилу, який в ній міститься. Підніміть фіксатор **11**, щоб відкрити

пилосос, відокремлюючи контейнер від кришки. Обережно постукуючи по пилососу, можна видалити будь-який пил, що потрапив у фільтр. Після того, як кришка фільтра і контейнер спорожніють, прикріпіть їх назад, переконавшись, що фіксатор **11** надійно закріплений. Див. рис. E.

3. Для приєднання пилососа до системи видалення пилу спочатку вставте закруглений профіль верхнього з'єднання в поглиблення в системі видалення пилу. Поверніть пилосос так, щоб кнопки розблокування знову клацнули на місці. Див. рис. D.
4. Встановивши пилосос належним чином, натисніть на механізм очищення фільтра **16** і натисніть на курок інструменту. Дайте системі попрацювати 5 секунд і відпустіть курок. Це слід робити після кожного спорожнення пилососа.

**ПРИМІТКА.** Використання евакуатора пилососа (DWH079D) забезпечує просте рішення для безпечного спорожнення і видалення пилу, що зберігається всередині пилососа. Вийміть пилосос з інструменту, вставте його в евакуатор і прикріпіть до спеціального окремого пилососа, що дозволяє спорожнити пилосос за кілька секунд.

## ТЕХНІЧНЕ ОБСЛУГОВУВАННЯ

Ваша система видалення пилу DEWALT призначена для роботи протягом довгого часу з мінімальним обслуговуванням. Довга задовільна робота приладу залежить від його належного обслуговування та регулярного очищення.



**ПОПЕРЕДЖЕННЯ.** Щоб знизити ризик серйозних тілесних ушкоджень, вимкніть інструмент та відключіть акумулятор або джерело живлення перед виконанням будь-яких налаштувань або змін/встановленням додаткового обладнання або приладдя. Випадковий запуск може призвести до травм.



**ПОПЕРЕДЖЕННЯ.** Використовуйте лише ЗАПАСНІ частини DEWALT.

## Заміна елемента пилососного фільтра (рис. А, D, E)



**ПОПЕРЕДЖЕННЯ.** Використовуйте рекомендовані засоби захисту органів зору та рекомендовану протипилову маску при виконанні цієї операції.

**Примітка.** Фільтр слід замінювати після кожних 350 повних циклів спорожнення блоку фільтра.

1. Натисніть кнопки розблокування пилососа **4** і витягніть пилосос з системи видалення пилу. Після виймання механізму вловлювання з системи видалення пилу вивільняється і верхній шарнір, що дозволяє повністю видалити пилосос.
2. Викиньте пилосос **3** і замініть на новий.
3. Приєднайте пилосос до системи видалення пилу. Спочатку вставте закруглений профіль верхнього з'єднання в поглиблення в системі видалення пилу.

Поверніть пілозбірник так, щоб кнопки розблокування знову клацнули на місці.

## Заміна щітки для видалення пилу (рис. G)

**ПОПЕРЕДЖЕННЯ.** Використовуйте рекомендовані засоби захисту органів зору та рекомендовану протипилову маску при виконанні цієї операції.

Щітка для пилу зношується під час використання і підлягає заміні одночасно з фільтром.

1. Натисніть кнопку фіксації **14** і витягніть кришку пілососа **8** з тримача кришки.
2. Вставте нову кришку пілососа назад в тримач. Центрувальний штифт увійде у відкритий кінець щітки для видалення пилу і зафіксує її на місці.



## Очищення

**ПОПЕРЕДЖЕННЯ:** Коли пил та бруд стають помітними та починають накопичуватися біля вентиляційних отворів, видуйте бруд та пил зсередини основного корпусу за допомогою сухого повітря. Використовуйте рекомендовані засоби захисту органів зору та рекомендовану протипилову маску при виконанні цієї операції.

**ПОПЕРЕДЖЕННЯ:** Ніколи не використовуйте розчинники та інші агресивні хімічні засоби для очищення неметалевих деталей інструмента. Такі хімічні речовини можуть нанести шкоду матеріалам, що використовуються в цих деталях. Використовуйте вологу ганчірку, змочену лише водою з м'яким милом. Не дозволяйте рідині потрапляти всередину інструмента та ніколи не занурюйте деталі інструмента в рідину.

**ПОПЕРЕДЖЕННЯ.** Використовуйте рекомендовані засоби захисту органів зору та рекомендовану протипилову маску при виконанні цієї операції.

## Очищення пілозбірника

**ПОПЕРЕДЖЕННЯ.** Не використовуйте щітку для очищення пілозбірника або фільтра.

При інтенсивній експлуатації пілозбірник засмічується пилом. Див. «Спороження пілозбірника» у розділі **Експлуатація**.

## Додаткові аксесуари

**ПОПЕРЕДЖЕННЯ:** Оскільки інше приладдя, що не зазначене виробником DEWALT, не перевірялося з цим пристроєм, його використання з інструментом може бути небезпечним. Необхідно використовувати лише рекомендовані DEWALT приладдя з цим пристроєм, щоб знизити ризик отримання травми.

Зверніться до свого дилера для отримання подальшої інформації щодо відповідного приладдя.

## Захист навколишнього середовища



Роздільний збір. Пристрої позначені цим символом, не можна викидати зі звичайним побутовим сміттям. Пристрої містять матеріали, які можна відновити та переробити, що зменшить потребу у сировині. Утилізуйте електротехнічну продукцію відповідно до місцевих положень. Більш детальну інформацію можна отримати на сайті [www.2helpU.com](http://www.2helpU.com).



Виробник:  
"Stanley Black & Decker Deutschland GmbH" Black-&-Decker Str.40, D-65510 Idstein, Німеччина







