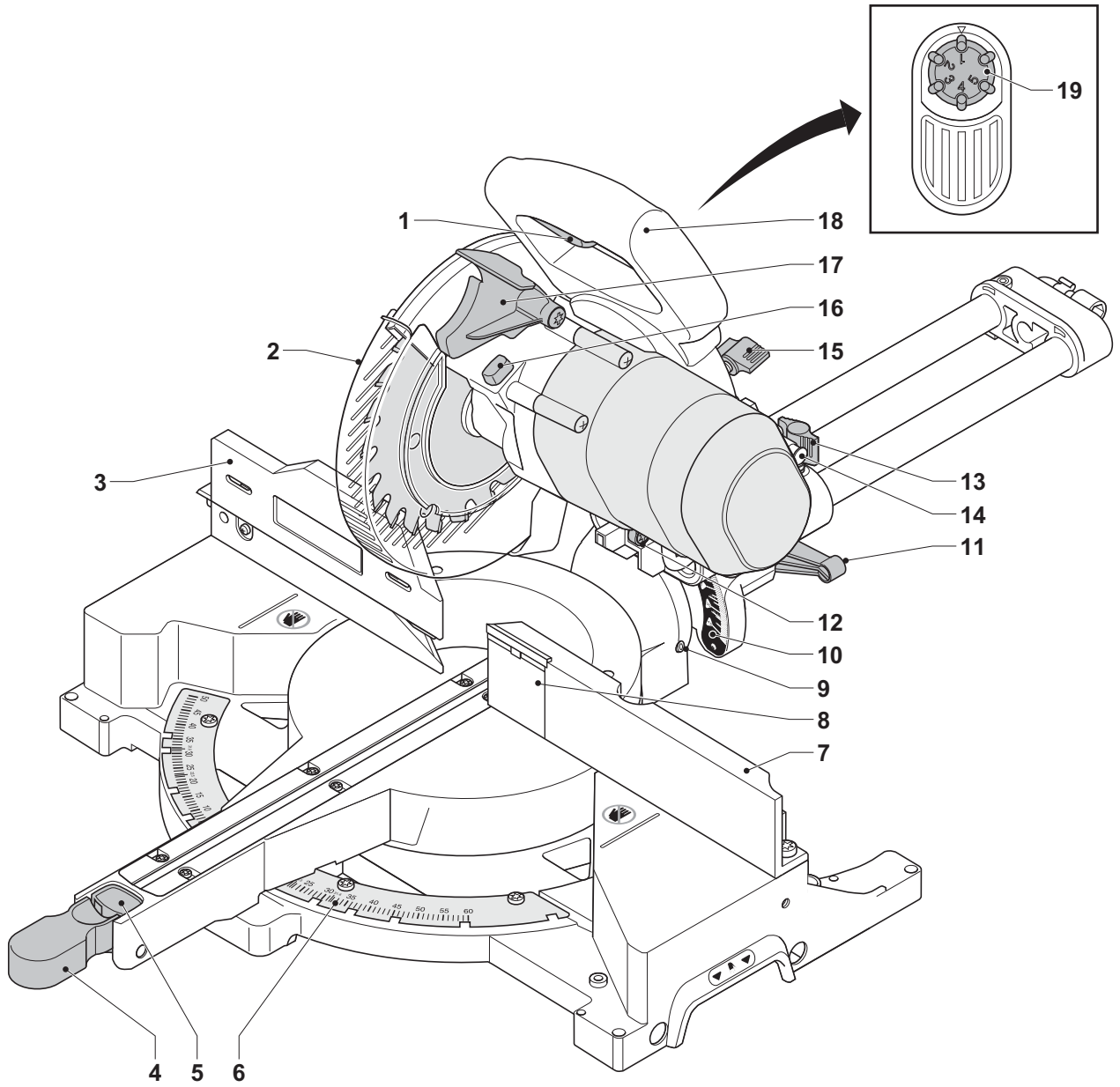
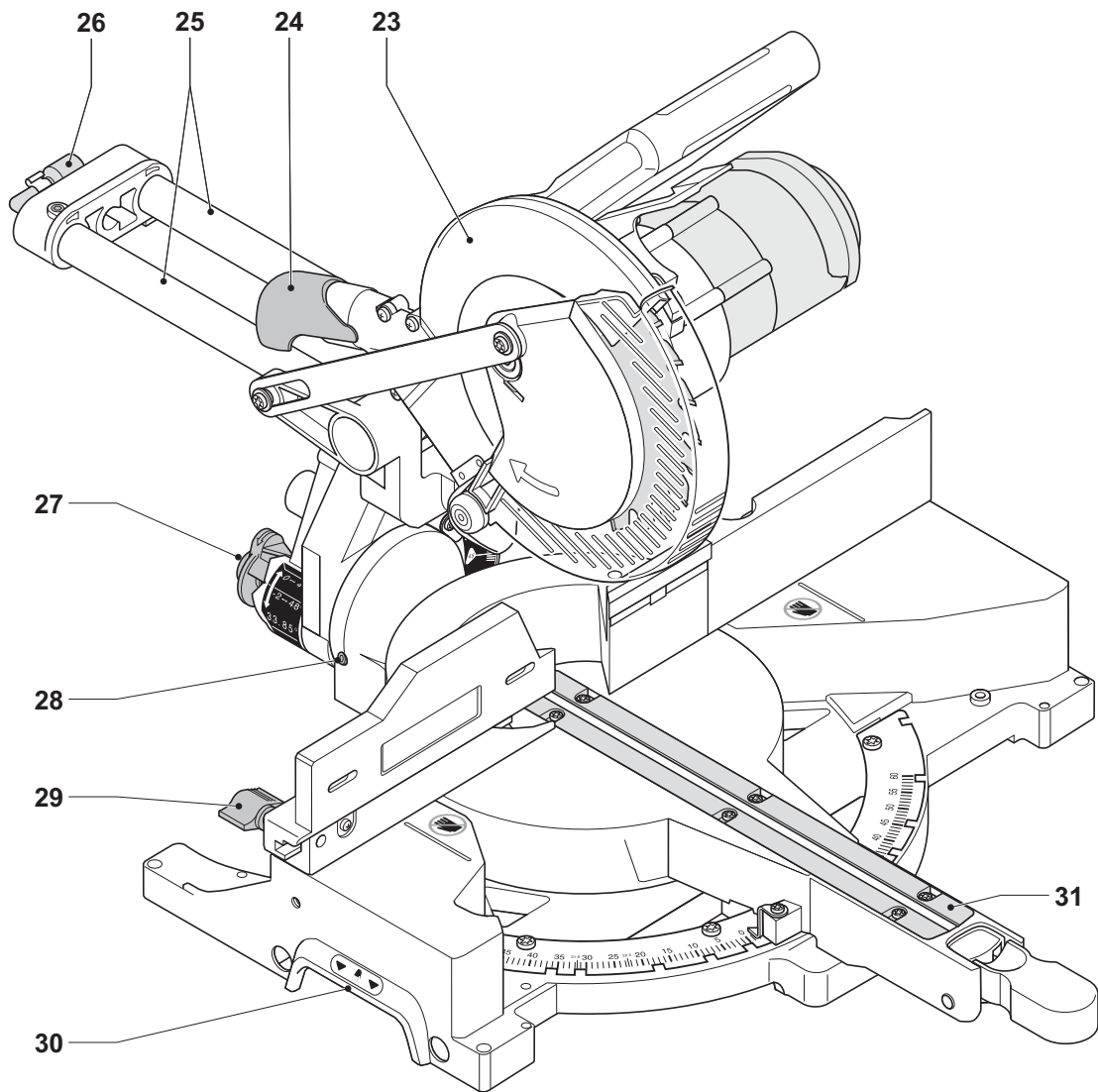

DEWALT®

www.DEWALT.eu

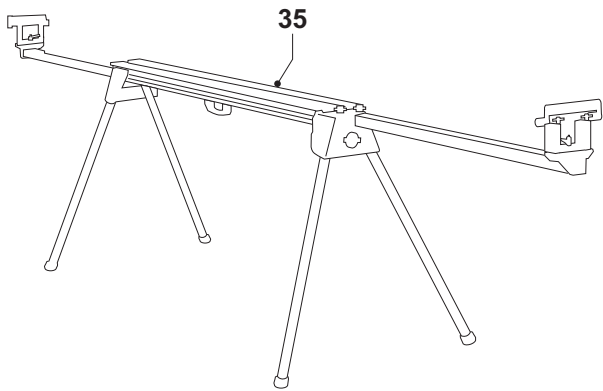
DW712
DW712N



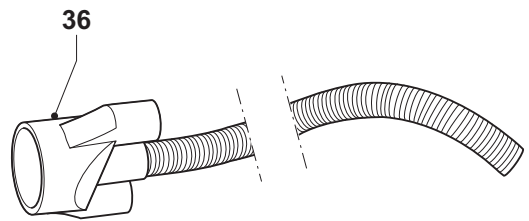


0000 00-00

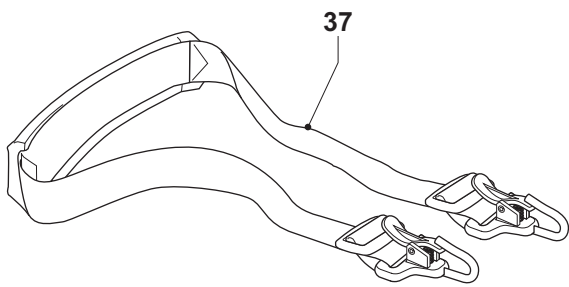




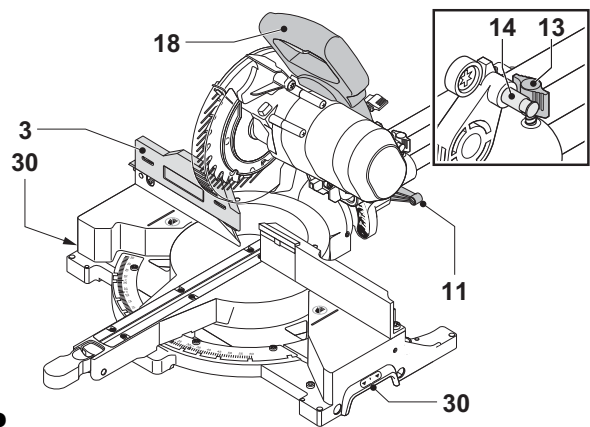
A4



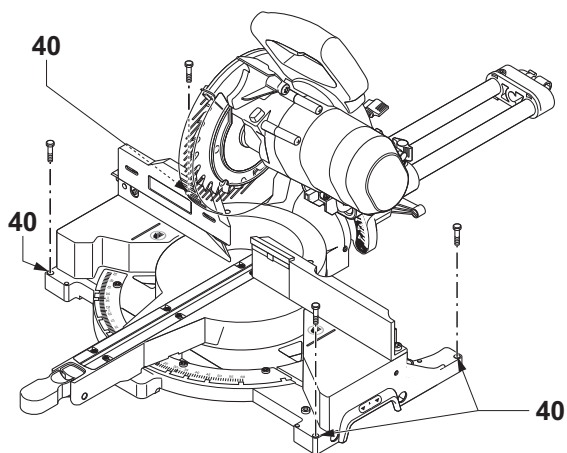
A5



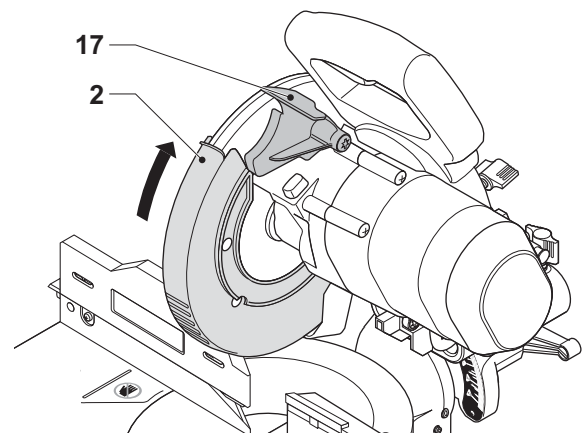
A6



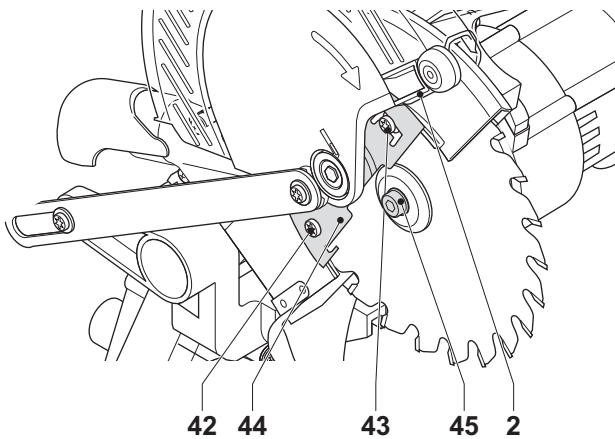
B



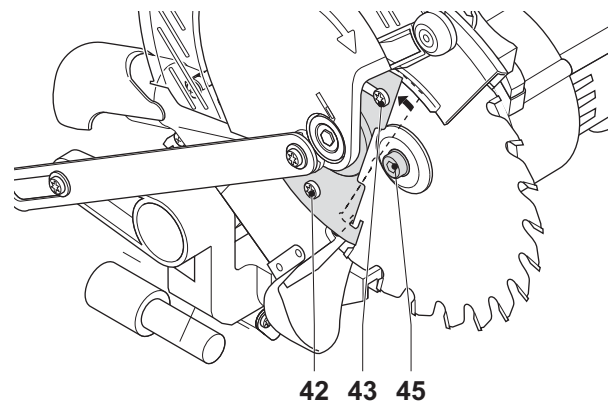
C



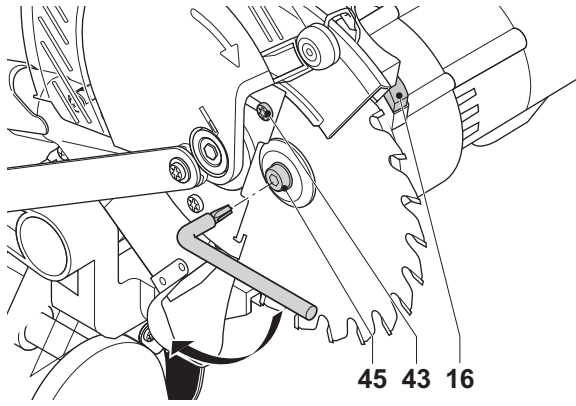
E1



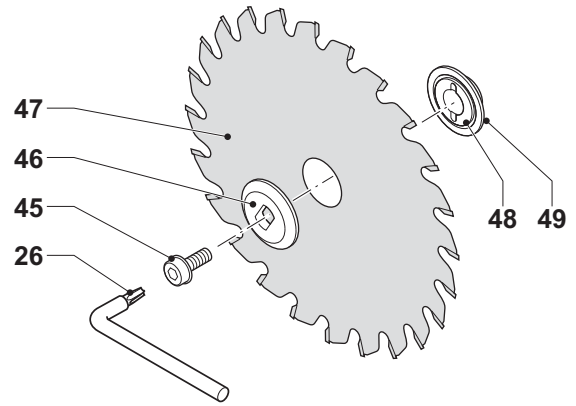
E2



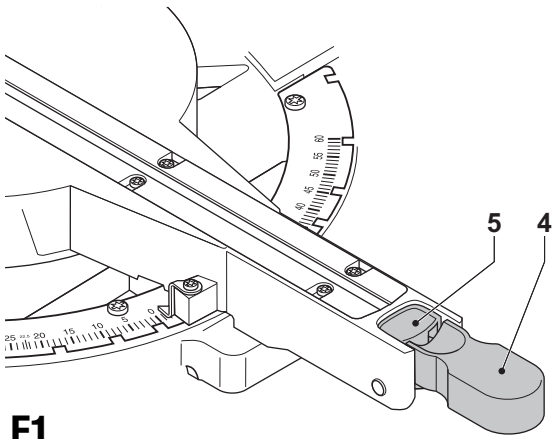
E3



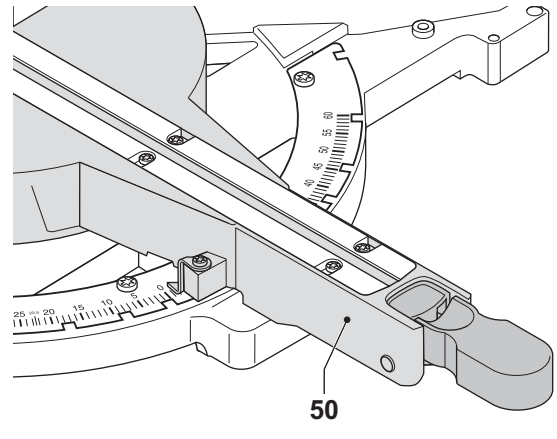
E4



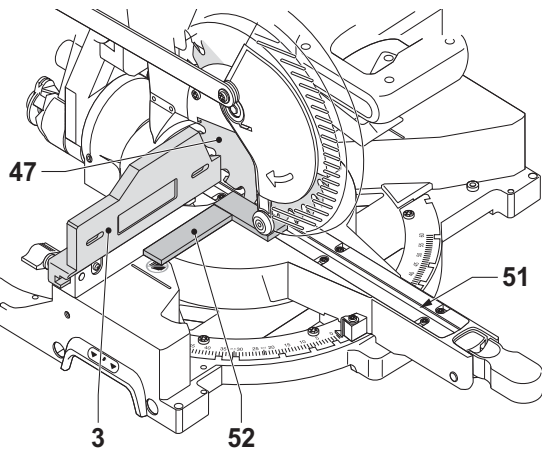
E5



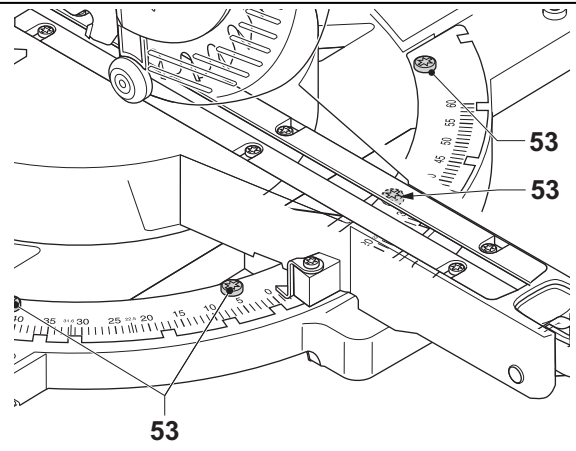
F1



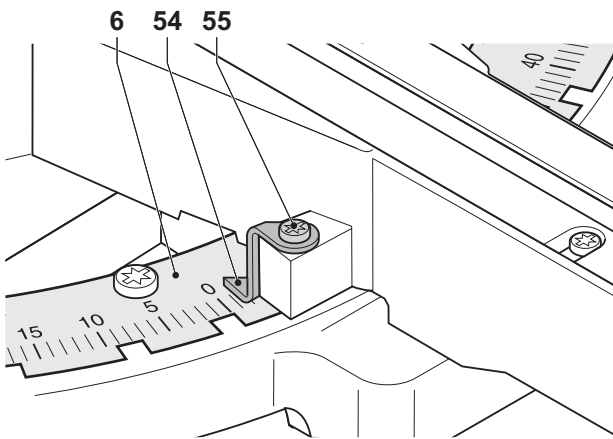
F2



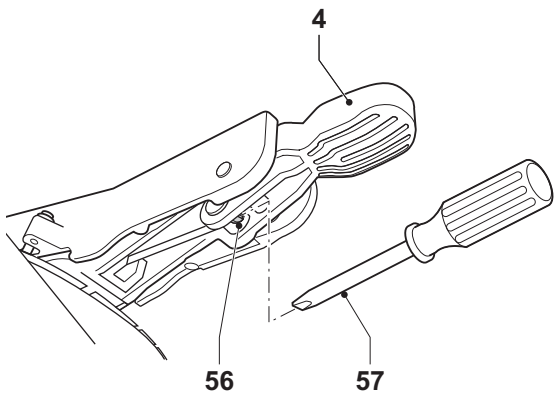
F3



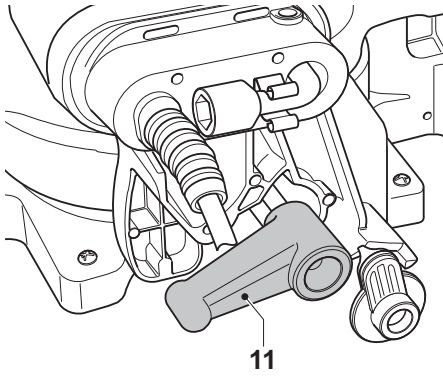
F4



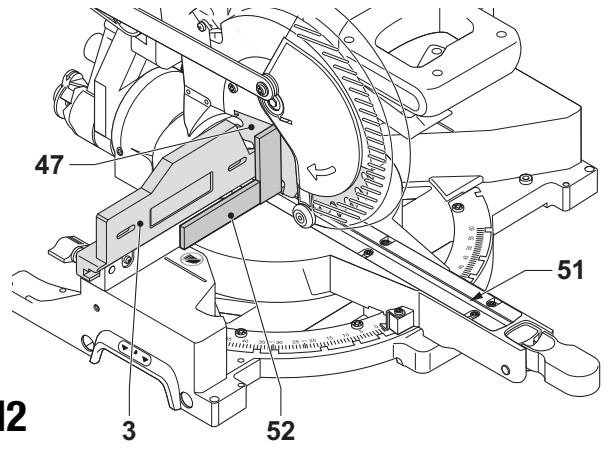
G



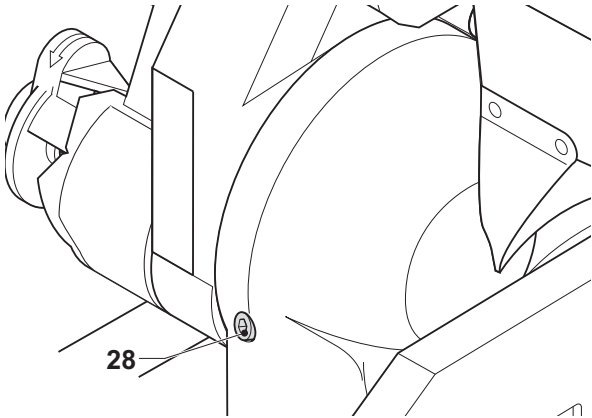
H



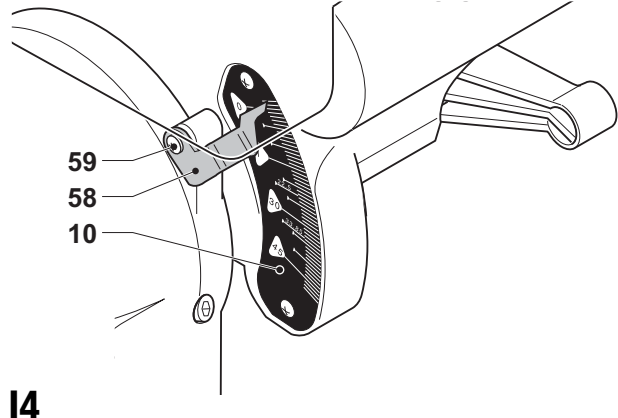
I1



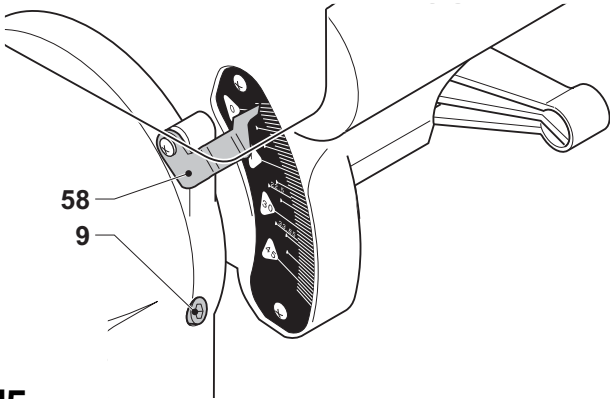
I2



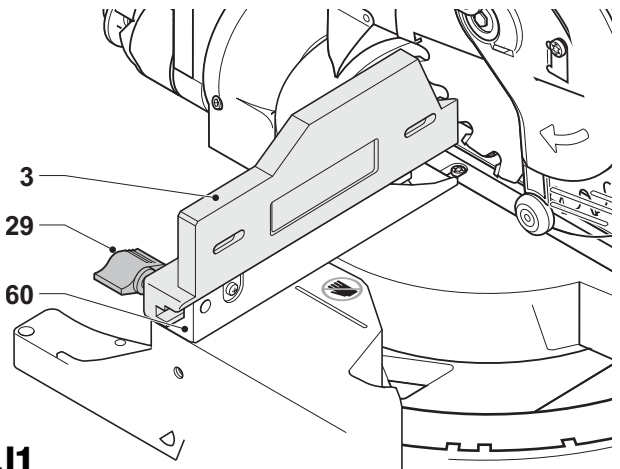
I3



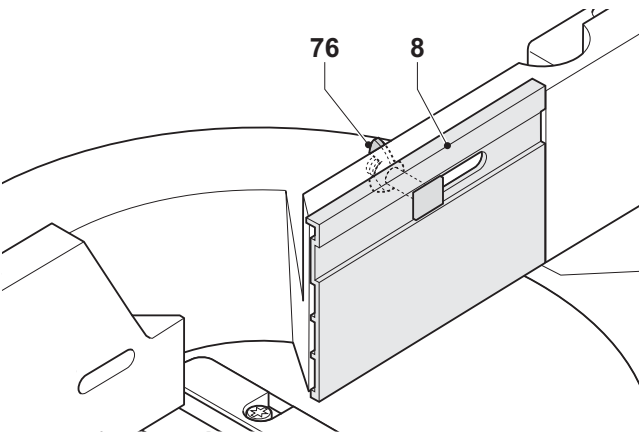
I4



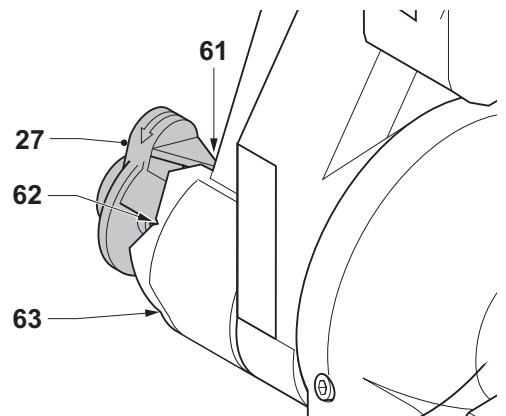
I5



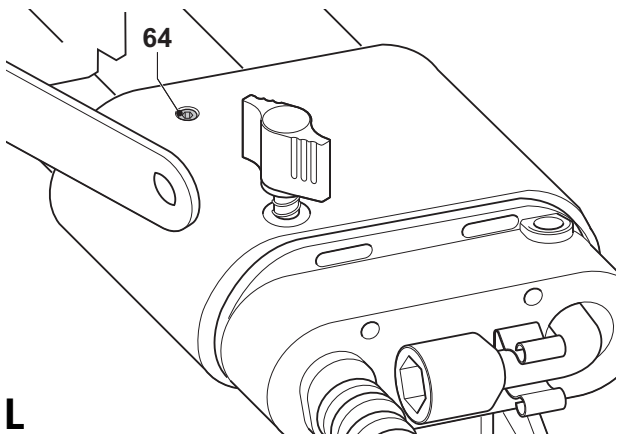
J1



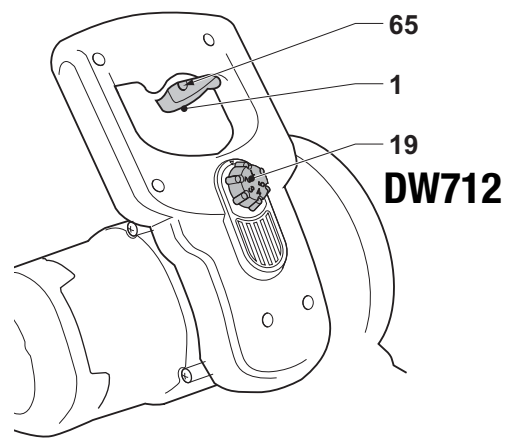
J2



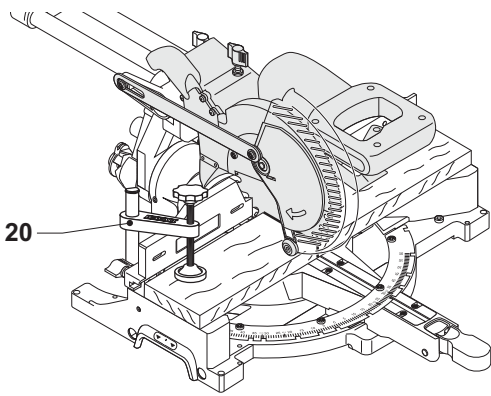
K



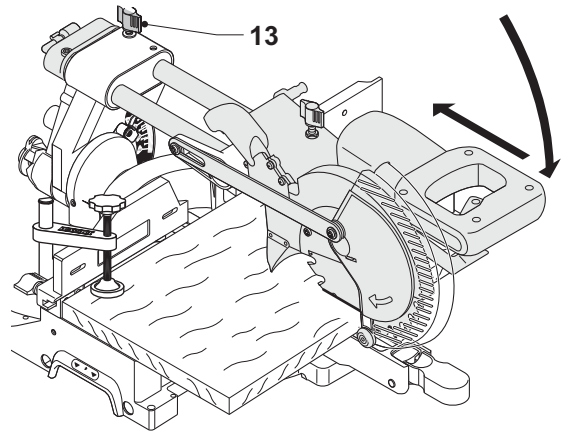
L



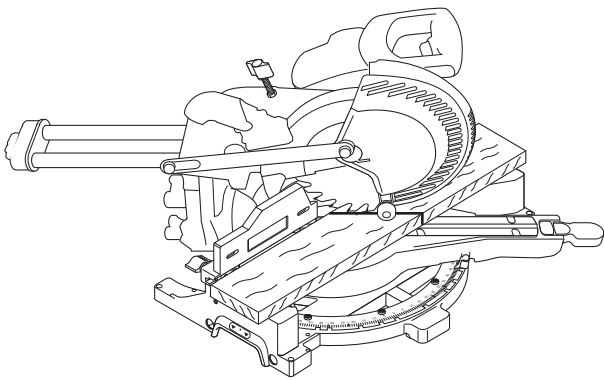
M



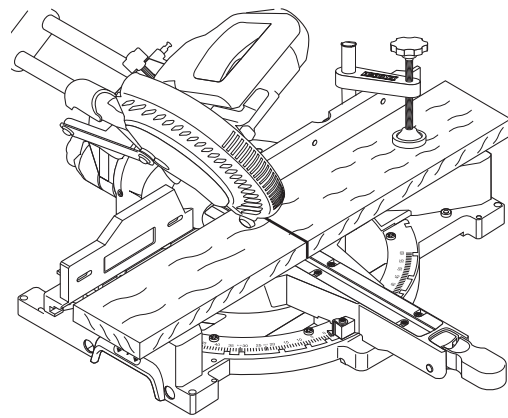
N



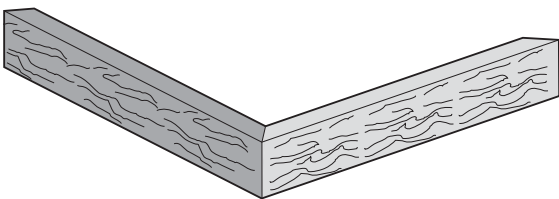
O



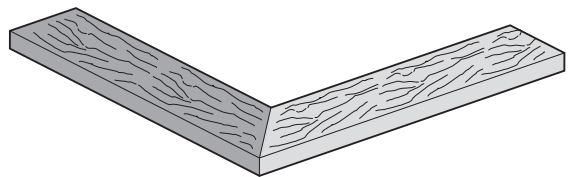
P



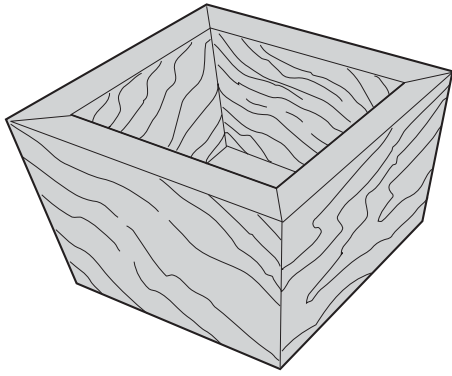
Q



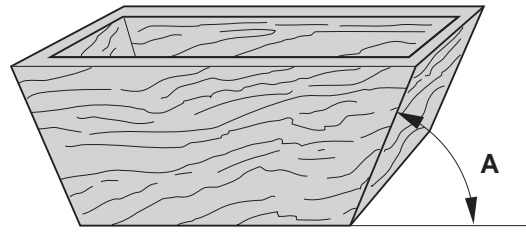
R1



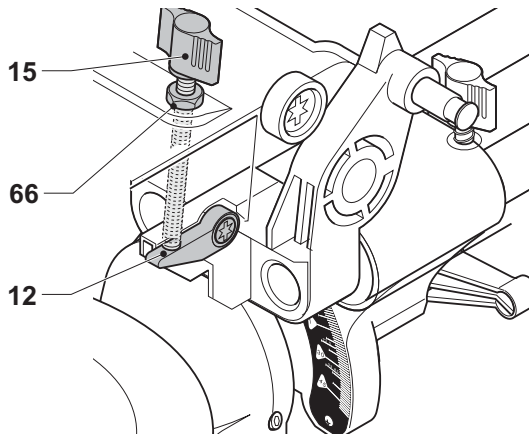
R2



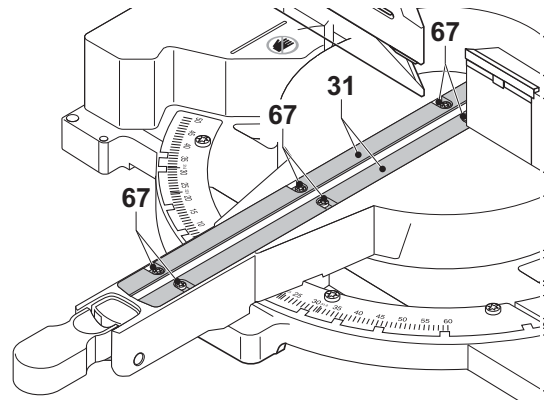
S1



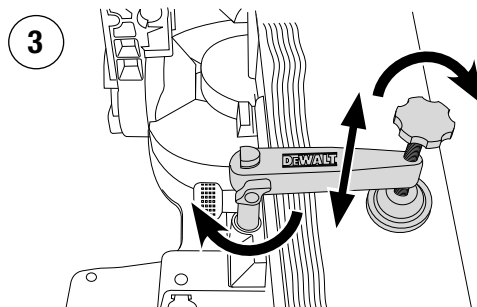
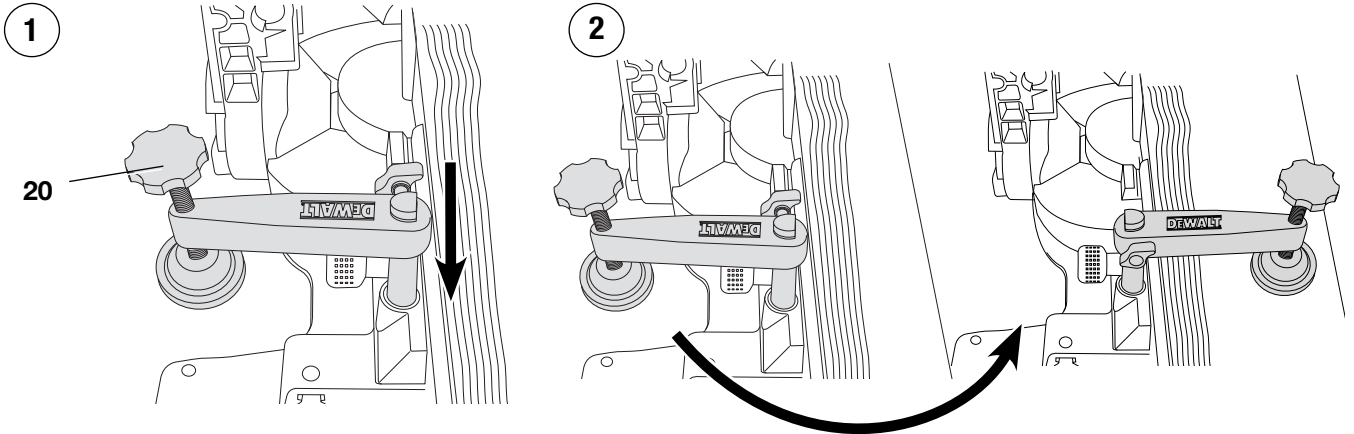
S2



T



U



V

MITRE SAW DW712, DW712N

Congratulations!

You have chosen a DEWALT tool. Years of experience, thorough product development and innovation make DEWALT one of the most reliable partners for professional power tool users.

Technical Data

		DW712 QS/CH	DW712 LX	DW712N QS/GB	DW712N LX
Voltage	V	230	–	230	–
(UK & Ireland only)	V	230/115	115	230/115	115
Type		5	5	3	3
Power output	W	1600	1600	1600	1600
Current input (230V)	A	8	8	8	8
Current input (115V)	A	16	16	16	16
Blade diameter	mm	216	216	216	216
Blade bore	mm	30	30	30	30
Max. blade thickness	mm	1.8	1.8	1.8	1.8
Blade speed	min ⁻¹	3500–4600	3500–4600	5400	5400
Max. crosscut capacity at 90/90°	mm	300 x 70	300 x 70	300 x 70	300 x 70
Max. mitre cut capacity at 45°	mm	212	212	212	212
Max. depth of cut 90°	mm	70	70	70	70
Max. depth of bevel cross-cut 45°	mm	50	50	50	50
Mitre (max. positions)					
	left	50°	50°	50°	50°
	right	60°	60°	60°	60°
Bevel (max. positions)					
	left	48°	48°	48°	48°
	right	2°	2°	2°	2°
0° mitre					
Resulting width at max. height 70 mm	mm	300	300	300	300
Resulting height at max. width 300 mm	mm	70	70	70	70
45° mitre left					
Resulting width at max. height 70 mm	mm	212	212	212	212
Resulting height at max. width 212 mm	mm	70	70	70	70
45° mitre right					
Resulting width at max. height 70 mm	mm	212	212	212	212
Resulting height at max. width 212 mm	mm	70	70	70	70
45° bevel left					
Resulting width at max. height 50 mm	mm	300	300	300	300
Resulting height at max. width 300 mm	mm	50	50	50	50
31.62° mitre, 33.85° bevel					
Resulting height at max. width 254 mm	mm	65	65	65	65
Blade stopping time	s	< 10	< 10	< 10	< 10
Dust collection efficiency	mg/m	< 2.0	< 2.0	< 2.0	< 2.0
Weight	kg	21	21	21	21
L_{PA} (sound pressure)	dB(A)	91	91	91	91
K_{PA} (sound pressure uncertainty)	dB(A)	3.0	3.0	3.0	3.0
L_{WA} (sound power)	dB(A)	104	104	104	104
K_{WA} (sound power uncertainty)	dB(A)	2.9	2.9	2.9	2.9

Vibration total values (triax vector sum) determined according to EN 61029:

Vibration emission value a _h					
a _h =	m/s ²	2.1	2.1	2.1	2.1
Uncertainty K =	m/s ²	1.5	1.5	1.5	1.5

The vibration emission level given in this information sheet has been measured in accordance with a standardised test given in EN 61029 and may be used to compare one tool with another. It may be used for a preliminary assessment of exposure.



WARNING: The declared vibration emission level represents the main applications of the tool. However if the tool is used for different applications, with different accessories or poorly maintained, the vibration emission may differ. This may significantly increase the exposure level over the total working period.

An estimation of the level of exposure to vibration should also take into account the times when the tool is switched off or when it is running but not actually doing the job. This may significantly reduce the exposure level over the total working period.

Identify additional safety measures to protect the operator from the effects of vibration such as: maintain the tool and the accessories, keep the hands warm, organisation of work patterns.

FFuses

Europe	230 V tools	10 Amperes, mains
U.K. & Ireland	230 V tools	13 Amperes, in plugs
U.K. & Ireland	115 V tools	16 Amperes, mains

NOTE: This device is intended for the connection to a power supply system with maximum permissible system impedance Z_{max} of 0.28 Ω at the interface point (power service box) of user's supply.

The user has to ensure that this device is connected only to a power system which fulfils the requirement above. If necessary, the user can ask the public power supply company for the system impedance at the interface point.

Definitions: Safety Guidelines

The definitions below describe the level of severity for each signal word. Please read the manual and pay attention to these symbols.



DANGER: Indicates an imminently hazardous situation which, if not avoided, **will** result in **death or serious injury**.



WARNING: Indicates a potentially hazardous situation which, if not avoided, **could** result in **death or serious injury**.



CAUTION: Indicates a potentially hazardous situation which, if not avoided, **may** result in **minor or moderate injury**.

NOTICE: Indicates a practice **not related to personal injury** which, if not avoided, **may** result in **property damage**.



Denotes risk of electric shock.



Denotes risk of fire.

EC-Declaration of Conformity



DW712, DW712N

DEWALT declares that these products described under **technical data** are in compliance with:
2006/42/EC, EN 61029-1, EN 61029-2-9.

These products also comply with Directive 2004/108/EC and 2011/65/EU. For more information, please contact DEWALT at the following address or refer to the back of the manual.

The undersigned is responsible for compilation of the technical file and makes this declaration on behalf of DEWALT.



Horst Grossmann
Vice President Engineering and Product Development
DEWALT, Richard-Klinger-Straße 11,
D-65510, Idstein, Germany
01.01.2012

Safety Instructions



WARNING! When using electric tools basic safety precautions should always be followed to reduce the risk of fire, electric shock and personal injury including the following.

Read all these instructions before attempting to operate this product and save these instructions.

SAVE THIS MANUAL FOR FUTURE REFERENCE

General Safety Rules

1. **Keep work area clear.**
Cluttered areas and benches invite injuries.
2. **Consider work area environment.**
Do not expose the tool to rain. Do not use the tool in damp or wet conditions. Keep the work area well lit (250–300 Lux). Do not use the tool where there is a risk of causing fire or explosion, e.g., in the presence of flammable liquids and gases.
3. **Guard against electric shock.**
Avoid body contact with earthed surfaces (e.g., pipes, radiators, cookers and refrigerators). When using the tool under extreme conditions (e.g., high humidity, when metal swarf is being produced, etc.), electric safety can be improved by inserting an isolating transformer or a (FI) earth-leakage circuit-breaker.
4. **Keep other persons away.**
Do not let persons, especially children, not involved in the work, touch the tool or the extension cord and keep them away from the work area.
5. **Store idle tools.**
When not in use, tools must be stored in a dry place and locked up securely, out of reach of children.
6. **Do not force the tool.**
It will do the job better and safer at the rate to which it was intended.
7. **Use the right tool.**
Do not force small tools to do the job of a heavy duty tool. Do not use tools for purposes not intended; for example do not use circular saws to cut tree limbs or logs.
8. **Dress properly.**
Do not wear loose clothing or jewellery, as these can be caught in moving parts. Non-skid footwear is recommended when working outdoors. Wear protective hair covering to contain long hair.
9. **Use protective equipment.**
Always use safety glasses. Use a face or dust mask if working operations create dust or flying particles. If these particles might be considerably hot, also wear a heat-resistant apron. Wear ear protection at all times. Wear a safety helmet at all times.
10. **Connect dust extraction equipment.**
If devices are provided for the connection of dust extraction and collecting equipment, ensure these are connected and properly used.
11. **Do not abuse the cord.**
Never yank the cord to disconnect it from the socket. Keep the cord away from heat, oil and sharp edges. Never carry the tool by its cord.

12. Secure work.

Where possible use clamps or a vice to hold the work. It is safer than using your hand and it frees both hands to operate the tool.

13. Do not overreach.

Keep proper footing and balance at all times.

14. Maintain tools with care.

Keep cutting tools sharp and clean for better and safer performance. Follow instructions for lubricating and changing accessories. Inspect tools periodically and if damaged have them repaired by an authorized service facility. Keep handles and switches dry, clean and free from oil and grease.

15. Disconnect tools.

When not in use, before servicing and when changing accessories such as blades, bits and cutters, disconnect tools from the power supply.

16. Remove adjusting keys and wrenches.

Form the habit of checking to see that adjusting keys and wrenches are removed from the tool before operating the tool.

17. Avoid unintentional starting.

Do not carry the tool with a finger on the switch. Be sure that the tool is in the "off" position before plugging in.

18. Use outdoor extension leads.

Before use, inspect the extension cable and replace if damaged. When the tool is used outdoors, use only extension cords intended for outdoor use and marked accordingly.

19. Stay alert.

Watch what you are doing. Use common sense. Do not operate the tool when you are tired or under the influence of drugs or alcohol.

20. Check for damaged parts.

Before use, carefully check the tool and mains cable to determine that it will operate properly and perform its intended function. Check for alignment of moving parts, binding of moving parts, breakage of parts, mounting and any other conditions that may affect its operation. A guard or other part that is damaged should be properly repaired or replaced by an authorized service centre unless otherwise indicated in this instruction manual. Have defective switches replaced by an authorized service centre. Do not use the tool if the switch does not turn it on and off. Never attempt any repairs yourself.



WARNING! The use of any accessory or attachment or performance of any operation with this tool other than those recommended in this instruction manual may present a risk of personal injury.

21. Have your tool repaired by a qualified person.

This electric tool complies relevant safety rules. Repairs should only be carried out by qualified persons using original spare parts; otherwise this may result in considerable danger to the user.

Additional Safety Rules for Mitre Saws

- The machine is provided with a special configured power supply cord which can only be replaced by the manufacturer or its authorised service agent.
- Do not use the saw to cut other materials than those recommended by the manufacturer.
- Do not operate the machine without guards in position, or if guards are not in good working order or are not properly maintained.
- Ensure that the arm is securely fixed when performing bevel cuts.
- Keep the floor area around the machine level, well-maintained and free of loose materials, e.g., chips and cut-offs.
- Use correctly sharpened saw blades. Ensure the speed marked on the saw blade is at least equal to the speed marked on the rating plate of the saw.
- Make sure all locking knobs and clamp handles are tight before starting any operation.
- Never place either hand in the blade area when the saw is connected to the electrical power source.

- Never attempt to stop a machine in motion rapidly by jamming a tool or other means against the blade; serious accidents can occur.
- Before using any accessory consult the instruction manual. The improper use of an accessory can cause damage.
- Use a holder or wear gloves when handling a saw blade or rough material.
- Ensure that the saw blade is mounted correctly before use.
- Make sure that the blade rotates in the correct direction.
- Do not use blades of larger or smaller diameter than recommended. For the proper blade rating refer to the **technical data**. Use only the blades specified in this manual, complying with EN 847-1.
- Consider applying specially designed noise-reduction blades.
- Do not use HIGH SPEED STEEL blades.
- Do not use deformed or damaged saw blades.
- Do not use any abrasive or diamond discs.
- Before each cut ensure that the machine is stable.
- When fitted with a laser do not replace the laser with a different type. Repairs shall only be carried out by the laser manufacturer or an authorized agent.
- Never use your saw without the kerf plate.
- Raise the blade from the kerf in the workpiece prior to releasing the switch.
- Do not wedge anything against the fan to hold the motor shaft.
- The blade guard on your saw will automatically raise when the arm is brought down; it will lower over the blade when head lock up release lever (17) is pushed.
- Never raise the blade guard manually unless the saw is switched off. The guard can be raised by hand when installing or removing saw blades or for inspection of the saw.
- Check periodically that the motor air slots are clean and free of chips.
- Replace the kerf plate when worn. Refer to service parts list included.
- Disconnect the machine from the mains before carrying out any maintenance work or when changing the blade.
- Never perform any cleaning or maintenance work when the machine is still running and the head is not in the rest position.
- When possible, always mount the machine to a bench.
- The front section of the guard is louvered for visibility while cutting. Although the louvers dramatically reduce flying debris, they are openings in the guard and safety glasses should be worn at all times when viewing through the louvers.
- Connect the saw to a dust collection device when sawing wood. Always consider factors which influence exposure of dust such as:
 - type of material to be machined (chip board produces more dust than wood);
 - sharpness of the saw blade;
 - correct adjustment of the saw blade,
 - dust extractor with air velocity not less than 20 m/s.
 Ensure that the local extraction as well as hoods, baffles and chutes are properly adjusted.
- Please be aware of the following factors influencing exposure to noise:
 - use saw blades designed to reduce the emitted noise;
 - use only well sharpened saw blades;
- Machine maintenance shall be conducted periodically;
- Provide adequate general or localized lighting;
- Ensure the operator is adequately trained in the use, adjustment and operation of the machine;
- Ensure that any spacers and spindle rings are suitable for the purpose as stated in this manual.
- Refrain from removing any cut-offs or other parts of the workpiece from the cutting area while the machine is running and the saw head is not in the rest position.
- Never cut workpieces shorter than 200 mm.

- Without additional support the machine is designed to accept the maximum workpiece size of:
 - Height 70 mm by width 300 mm by length 500 mm
 - Longer workpieces need to be supported by suitable additional table, e.g. DE7080. Always clamp the workpiece safely to the saw table.
- In case of an accident or machine failure, immediately turn the machine off and disconnect machine from the power source.
- Report the failure and mark the machine in suitable form to prevent other people from using the defective machine.
- When the saw blade is blocked due to abnormal feed force during cutting, turn the machine off and disconnect it from power supply. Remove the workpiece and ensure that the saw blade runs free. Turn the machine on and start new cutting operation with reduced feed force.
- Never cut light alloy, especially magnesium.
- Select the correct saw blade for the material to be cut.
- Whenever the situation allows, mount the machine to a bench using bolts with a diameter of 8 mm and 80 mm in length.

Residual Risks

The following risks are inherent to the use of saws:

- injuries caused by touching the rotating parts

In spite of the application of the relevant safety regulations and the implementation of safety devices, certain residual risks cannot be avoided. These are:

- Impairment of hearing.
- Risk of accidents caused by the uncovered parts of the rotating saw blade.
- Risk of injury when changing the blade.
- Risk of squeezing fingers when opening the guards.
- Health hazards caused by breathing dust developed when sawing wood, especially oak, beech and MDF.

The following factors increase the risk of breathing problems:

- No dust extractor connected when sawing wood.
- Insufficient dust extraction caused by uncleaned exhaust filters.

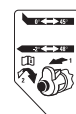
Markings on Tool

The following pictograms are shown on the tool:

-  Read instruction manual before use.
-  Wear ear protection.
-  Wear eye protection.
-  Carrying point
-  Keep hands away from blade.



Read the instructions **Performing a Sliding Cut.**



Read the instructions **Overriding the Bevel Stops.**

DATE CODE POSITION (FIG. A2)

The Date Code (32), which also includes the year of manufacture, is printed into the housing.

Example:

2012 XX XX
Year of Manufacture

Package Contents

The package contains:

- 1 Assembled mitre saw
- 1 Blade spanner
- 1 Saw blade
- 1 Material clamp
- 1 Instruction manual
- 1 Exploded drawing
 - Check for damage to the tool, parts or accessories which may have occurred during transport.
 - Take the time to thoroughly read and understand this manual prior to operation.

Description (fig. A1–A6)



WARNING: Never modify the power tool or any part of it. Damage or personal injury could result.

A1

- 1 On/off switch
- 2 Moveable lower guard
- 3 Fence left-hand side
- 4 Mitre lever
- 5 Mitre latch
- 6 Mitre scale
- 7 Fixed fence
- 8 Fence right-hand side
- 9 Bevel position adjustment stop
- 10 Bevel scale
- 11 Bevel clamp handle
- 12 Grooving stop
- 13 Rail lock knob
- 14 Head lock down pin
- 15 Grooving depth adjustment knob
- 16 Spindle lock button
- 17 Head lock up release lever
- 18 Operating handle
- 19 Speed control dial (DW712)

A2

- 23 Upper guard
- 24 Dust spout
- 25 Rails
- 26 Blade spanner
- 27 Bevel stop override knob
- 28 Vertical position adjustment stop
- 29 Upper fence left-hand side clamping knob
- 30 Hand indentation
- 31 Kerf plate
- 32 Date code

OPTIONAL ACCESSORIES

A4

- 35 Legstand

A5

- 36 Dust extraction kit

A6

- 37 Carrying strap

INTENDED USE

Your DEWALT DW712 Mitre Saw has been designed for professional cutting wood, wood products and plastics. It performs the sawing operations of cross-cutting, bevelling and mitring easily, accurately and safely.

This unit is designed for use with a nominal blade diameter 216 mm carbide tip blade.

DO NOT use under wet conditions or in presence of flammable liquids or gases.

These mitre saws are professional power tools.

DO NOT let children come into contact with the tool. Supervision is required when inexperienced operators use this tool.



WARNING! Do not use the machine for purposes other than intended.

- This product is not intended for use by persons (including children) suffering from diminished physical, sensory or mental abilities; lack of experience, knowledge or skills unless they are supervised by a person responsible for their safety. Children should never be left alone with this product.

Electrical Safety

The electric motor has been designed for one voltage only. Always check that the power supply corresponds to the voltage on the rating plate.



Your tool is double insulated in accordance with EN 61029; therefore no earth wire is required.



WARNING: 115 V units have to be operated via a fail-safe isolating transformer with an earth screen between the primary and secondary winding.

In case of cord replacement the tool must only be repaired by an authorized service agent or by qualified electrician.

Mains Plug Replacement (U.K. & Ireland only)

If a new mains plug needs to be fitted:

- Safely dispose of the old plug.
- Connect the brown lead to the live terminal in the plug.
- Connect the blue lead to the neutral terminal.



WARNING: No connection is to be made to the earth terminal.

Follow the fitting instructions supplied with good quality plugs. Recommended fuse: 13 A.

Fitting a Mains Plug to 115 V Units (U.K. and Ireland Only)

- The plug fitted should comply with BS EN 60309 (BS4343), 16 Amps, earthing contact position 4h.



WARNING: Always ensure that the cable clamp is correctly and securely fitted to the sheath of the cable.

Using an Extension Cable

If an extension cable is required, use an approved 3-core extension cable suitable for the power input of this tool (see **Technical Data**). The minimum conductor size is 1.5 mm²; the maximum length is 30 m.

When using a cable reel, always unwind the cable completely.

Installation

UNPACKING (FIG. B)

- Remove the saw from the packing material carefully.
- Release the rail lock knob (13), and push the saw head back to lock it in the rear position.
- Press down the operating handle (18) and pull out the lock down pin (14), as shown.
- Gently release the downward pressure and allow the head to rise to its full height.

BENCH MOUNTING (FIG. C)

- Holes (40) are provided in all four feet to facilitate bench mounting. Two different sized holes are provided to accommodate different sizes of bolts. Use either hole; it is not necessary to use both. Bolts with a diameter of 8 mm and 80 mm in length are suggested.

Always mount your saw firmly to prevent movement. To enhance the portability, the tool can be mounted to a piece of 12.5 mm or thicker plywood which can then be clamped to your work support or moved to other job sites and reclamped.

- When mounting your saw to a piece of plywood, make sure that the mounting screws do not protrude from the bottom of the wood. The plywood must sit flush on the work support. When clamping the saw to any work surface, clamp only on the clamping bosses where the mounting screw holes are located. Clamping at any other point will interfere with the proper operation of the saw.
- To prevent binding and inaccuracy, be sure the mounting surface is not warped or otherwise uneven. If the saw rocks on the surface, place a thin piece of material under one saw foot until the saw is firm on the mounting surface.

ASSEMBLY



WARNING: To reduce the risk of injury, turn unit off and disconnect machine from power source before installing and removing accessories, before adjusting or changing set-ups or when making repairs. Be sure the trigger switch is in the OFF position. An accidental start-up can cause injury.

MOUNTING THE SAW BLADE (FIG. E1-E5)

- Never depress the spindle lock button while the blade is under power or coasting.
- Do not cut light alloy and ferrous metal (containing iron or steel) or masonry or fibre cement product with this mitre saw.
- Depress the head lock up release lever (17) to release the lower guard (2), then raise the lower guard as far as possible.

1. With the lower guard held in the raised position by the guard bracket screw (43), depress the spindle lock button (16) with one hand, then use the supplied blade spanner (26) in the other hand to loosen the left-hand threaded blade locking screw (45) by turning clockwise.



WARNING! To use the spindle lock, press the button as shown and rotate the spindle by hand until you feel the lock engage.

Continue to hold the lock button in to keep the spindle from turning.

2. Remove the blade locking screw (45) and the outside arbor collar (46).
3. Install the saw blade (47) onto the shoulder (48) provided on the inside arbor collar (49), making sure that the teeth at the bottom edge of the blade are pointing toward the back of the saw (away from the operator).
4. Replace the outer arbor collar (46).
5. Tighten the blade locking screw (45) carefully by turning counter-clockwise while holding the spindle lock engaged with your other hand.



WARNING! Be aware the saw blade shall be replaced in the described way only. Only use saw blades as specified under **Technical Data**: Cat. no.: DT4320 is suggested.

Adjustment



WARNING: To reduce the risk of injury, turn unit off and disconnect machine from power source before installing and removing accessories, before adjusting or changing set-ups or when making repairs. Be sure the trigger switch is in the OFF position. An accidental start-up can cause injury.

Your mitre saw was accurately adjusted at the factory. If readjustment due to shipping and handling or any other reason is required, follow the steps below to adjust your saw. Once made, these adjustments should remain accurate.

CHECKING AND ADJUSTING THE BLADE TO THE FENCE (FIG. F1-F4)

- Release the mitre lever (4) and depress the mitre latch (5) to release the mitre arm (50).

- Swing the mitre arm until the latch locates it at the 0° mitre position. Do not tighten the lever.
- Pull down the head until the blade just enters the saw kerf (51).
- Place a square (52) against the left side (3) of the fence and blade (47) (fig. F3).



WARNING: Do not touch the tips of the blade teeth with the square.

- If adjustment is required, proceed as follows:
- Loosen the screws (53) and move the scale/mitre arm assembly left or right until the blade is at 90° to the fence as measured with the square.
- Retighten the screws (53). Pay no attention to the reading of the mitre pointer at this point.

ADJUSTING THE MITRE POINTER (FIG. F1, F2 & G)

- Release the mitre lever (4) and depress the mitre latch (5) to release the mitre arm (50).
- Move the mitre arm to set the mitre pointer (54) to the zero position, as shown in fig. G.
- With the mitre lever loose, allow the mitre latch to snap into place as you rotate the mitre arm past zero.
- Observe the pointer (54) and mitre scale (6). If the pointer does not indicate exactly zero, loosen the screw (55), move the pointer to read 0° and tighten the screw.

MITRE LOCK/DETENT ROD ADJUSTMENT (FIG. H)

If the base of the saw can be moved while the mitre lever (4) is locked, the mitre lock/detent rod (56) must be adjusted.

- Unlock the mitre lever (4).
- Fully tighten the mitre lock/detent rod (56) using a screwdriver (57). Then loosen the rod a quarter of a turn.
- Check that the table does not move when the lever (4) is locked at a random (not preset) angle.

CHECKING AND ADJUSTING THE BLADE TO THE TABLE (FIG. I1-I4)

- Loosen the bevel clamp handle (11).
- Press the saw head to the right to ensure it is fully vertical and tighten the bevel clamp handle.
- Pull down the head until the blade just enters the saw kerf (51).
- Place a set square (52) on the table and up against the blade (47) (fig. I2).



WARNING: Do not touch the tips of the blade teeth with the square.

- If adjustment is required, proceed as follows:
- Loosen the bevel clamp handle (11) and turn the vertical position adjustment stop screw (28) in or out until the blade is at 90° to the table as measured with the square.
- If the bevel pointer (58) does not indicate zero on the bevel scale (10), loosen the screw (59) that secures the pointer and move the pointer as necessary.

ADJUSTING THE FENCE (FIG. J1, J2)

The upper part of the left side of the fence can be adjusted to the left to provide clearance, allowing the saw to bevel to a full 48° left. To adjust the fence (3):

- Loosen the plastic knob (29) and slide the fence to the left.
- Make a dry run with the saw switched off and check for clearance. Adjust the fence to be as close to the blade as practical to provide maximum workpiece support, without interfering with the up and down movement of the arm.
- Tighten the knob securely.



WARNING: The guide groove (60) can become clogged with sawdust. Use a stick or some low pressure air to clear the guide groove.

The moveable part of the right side of the fence can be adjusted to provide maximum support of the workpiece near the blade, while allowing the saw to bevel to a full 45° left. The sliding distance is limited by stops in both directions.

To adjust the fence (8):

- Loosen the wing nut (76) to release the fence (8).
- Slide the fence to the left.
- Make a dry run with the saw switched off and check for clearance. Adjust the fence to be as close to the blade as practical to provide maximum workpiece support, without interfering with the up and down movement of the arm.
- Tighten the wing nut (76) to secure the fence in place.

OVERRIDING THE BEVEL STOPS (FIG. K)

The bevel stops facilitate the setting of the saw blade in the vertical position and the 45° bevel position. By overriding the bevel stops, bevel angles can be achieved from 2° right to 48° left.

- To override the bevel stops, first release the saw head and push it slightly to the left, then pull out the override knob (27) and turn it into the override position (62). The override knob automatically clicks in place.
- Set the required bevel angle and secure the head in this position.
- To discontinue the override, turn the override knob (27) back into the bevel stop position (61).

CHECKING AND ADJUSTING THE BEVEL ANGLE (FIG. A1, A2 & I5)

- Make sure the override knob (27) is located in the bevel stop position.
- Loosen the left side fence clamping knob (29) and slide the upper part of the left side fence to the left as far as it will go.
- Loosen the bevel clamp handle (11) and move the saw head to the left. This is the 45° bevel position.
- If adjustment is required, proceed as follows:
- Turn the stop screw (9) in or out as necessary until the pointer (58) indicates 45°.

RAIL GUIDE ADJUSTMENT (FIG. L)

- Regularly check the rails for clearance.
- To reduce clearance, gradually rotate the set screw (64) clockwise while sliding the saw head back and forth.

OPERATION

Instructions for Use



WARNING: Always observe the safety instructions and applicable regulations.



WARNING: To reduce the risk of serious personal injury, turn tool off and disconnect tool from power source before making any adjustments or removing/ installing attachments or accessories. An accidental start-up can cause injury.

The attention of UK users is drawn to the "woodworking machines regulations 1974" and any subsequent amendments.

Ensure the machine is placed to satisfy your ergonomic conditions in terms of table height and stability. The machine site shall be chosen so that the operator has a good overview and enough free surrounding space around the machine that allows handling of the workpiece without any restrictions.

To reduce effects of vibration make sure the environment temperature is not too cold, machine and accessory is well maintained and the workpiece size is suitable for this machine.

Prior to Operation

- Install the appropriate saw blade. Do not use excessively worn blades. The maximum rotation speed of the tool must not exceed that of the saw blade.
- Do not attempt to cut excessively small pieces.
- Allow the blade to cut freely. Do not force.
- Allow the motor to reach full speed before cutting.
- Make sure all locking knobs and clamp handles are tight.
- Secure the workpiece.

- Although this saw will cut wood and many nonferrous materials, these operating instructions refer to the cutting of wood only. The same guide-lines apply to the other materials. Do not cut ferrous (iron and steel) materials, fibre cement or masonry with this saw!
- Make sure to use the kerf plate. Do not operate the machine if the kerf slot is wider than 10 mm.

Switching On and Off (fig. M)

A hole (65) is provided in the trigger for insertion of a padlock to lock the tool.

- To run the tool, press the on/off switch (1).
- To stop the tool, release the switch.

Setting the Variable Speed (fig. M)

DW712

The speed control dial (19) can be used for advance setting of the required range of speed.

- Turn the dial button (19) to the desired range, which is indicated by a number.
- Use high speeds for sawing soft materials such as wood. Use low speeds for sawing metal.

Clamping the Workpiece (fig. V)



WARNING: A workpiece that is clamped, balanced and secure before a cut may become unbalanced after a cut is completed. An unbalanced load may tip the saw or anything the saw is attached to, such as a table or workbench. When making a cut that may become unbalanced, properly support the workpiece and ensure the saw is firmly bolted to a stable surface. Personal injury may occur.



WARNING: The clamp foot must remain clamped above the base of the saw whenever the clamp is used. Always clamp the workpiece to the base of the saw – not to any other part of the work area. Ensure the clamp foot is not clamped on the edge of the base of the saw.



CAUTION: Always use a workpiece clamp to maintain control and reduce the risk of personal injury and workpiece damage.

Use the material clamp (20) provided with your saw. The left or right fence will slide from side to side to aid in clamping. Other aids such as spring clamps, bar clamps or C-clamps may be appropriate for certain sizes and shapes of material.

TO INSTALL CLAMP

1. Insert it into the hole behind the fence. The clamp should be facing toward the back of the mitre saw. The groove on the clamp rod should be fully inserted into the base. Ensure this groove is fully inserted into the base of the mitre saw. If the groove is visible, the clamp will not be secure.
2. Rotate the clamp 180° toward the front of the mitre saw.
3. Loosen the knob to adjust the clamp up or down, then use the fine adjust knob to firmly clamp the workpiece.

NOTE: Place the clamp on the opposite side of the base when beveling. ALWAYS MAKE DRY RUNS (UNPOWERED) BEFORE FINISH CUTS TO CHECK THE PATH OF THE BLADE. ENSURE THE CLAMP DOES NOT INTERFERE WITH THE ACTION OF THE SAW OR GUARDS.

Basic Saw Cuts

VERTICAL STRAIGHT CROSS CUT (FIG. A1, A2 & N)

- Release the mitre lever (4) and depress the mitre latch (5).
- Engage the mitre latch at the 0° position and tighten the mitre lever.
- Place the wood to be cut against the fence (3 & 7).
- Take hold of the operating handle (18) and depress the head lock up release lever (17) to release the head. Press the trigger switch (1) to start the motor.

ENGLISH

- Depress the head to allow the blade to cut through the timber and enter the plastic kerf plate (31).
- After completing the cut, release the switch and wait for the saw blade to come to a complete standstill before returning the head to its upper rest position.

PERFORMING A SLIDING CUT (FIG. O)

The guide rail allows cutting larger workpieces from 50 x 100 mm up to 500 x 1000 mm using an out-down-back sliding motion.

- Release the rail lock knob (13).
- Pull the saw head towards you and switch the tool on.
- Lower the saw blade into the workpiece and push the head back to complete the cut.
- Proceed as described above.



WARNING:

- Do not perform sliding cuts on workpieces smaller than 50 x 100 mm.
- Remember to lock the saw head in the rear position when the sliding cuts are finished.

VERTICAL MITRE CROSS-CUT (FIG. A1, P)

- Release the mitre lever (4) and depress the mitre latch (5). Move the arm left or right to the required angle.
- The mitre latch will automatically locate at 10°, 15°, 22.5°, 31.62° and 45° both left and right, and at 50° left and 60° right. If any intermediate angle is required hold the head firmly and lock by tightening the mitre lever.
- Always ensure that the mitre lever is locked tightly before cutting.
- Proceed as for a vertical straight cross-cut.



WARNING: When mitring the end of a piece of wood with a small off-cut, position the wood to ensure that the off-cut is to the side of the blade with the greater angle to the fence; i.e. left mitre, off-cut to the right - right mitre, off-cut to the left.

BEVEL CUTS (FIG. A1, A2 & Q)

Bevel angles can be set from 48° left to 2° right and can be cut with the mitre arm set between zero and a maximum of 45° mitre position right or left.

- Loosen the left side fence clamping knob (29) and slide the upper part of the left side fence (3) to the left as far as it will go. Loosen the bevel clamp handle (11) and set the bevel as desired.
- Tighten the bevel clamp handle (11) firmly.
- Proceed as for a vertical straight cross-cut.

Quality of Cut

The smoothness of any cut depends on a number of variables, e.g. the material being cut. When smoothest cuts are desired for moulding and other precision work, a sharp (60 tooth carbide) blade and a slower, even cutting rate will produce the desired results.



WARNING: Ensure that the material does not creep while cutting; clamp it securely in place. Always let the blade come to a full stop before raising the arm. If small fibres of wood still split out at the rear of the workpiece, stick a piece of masking tape on the wood where the cut will be made. Saw through the tape and carefully remove tape when finished.

Body and Hand Position

Proper positioning of your body and hands when operating the mitre saw will make cutting easier, more accurate and safer.

- Never place your hands near the cutting area.
- Place your hands no closer than 150 mm from the blade.
- Hold the workpiece tightly to the table and the fence when cutting. Keep your hands in position until the switch has been released and the blade has completely stopped.
- Always make dry runs (without power) before finish cuts so that you can check the path of the blade.

- Do not cross your hands.
- Keep both feet firmly on the floor and maintain proper balance.
- As you move the saw arm left and right, follow it and stand slightly to the side of the saw blade.
- Sight through the guard louvres when following a pencil line.

CUTTING PICTURE FRAMES, SHADOW BOXES & OTHER FOUR SIDED PROJECTS (FIG. R1 & R2)

TRIM MOULDING AND OTHER FRAMES

Try a few simple projects using scrap wood until you develop a "feel" for your saw. Your saw is the perfect tool for mitring corners like the one shown in fig. R1. The joint shown has been made using either bevel adjustment.

- Using bevel adjustment

The bevel for the two boards is adjusted to 45° each, producing a 90° corner. The mitre arm is locked in the zero position. The wood is positioned with the broad flat side against the table and the narrow edge against the fence.

- Using mitre adjustment

The same cut can be made by mitring right and left with the broad surface against the fence. The two sketches (fig. R1 & R2) are for four side objects only. As the number of sides changes, so do the mitre and bevel angles. The chart below gives the proper angles for a variety of shapes, assuming that all sides are of equal length. For a shape that is not shown in the chart, divide 180° by the number of sides to determine the mitre or bevel angle.

No. of sides	Angle mitre or bevel
4	45°
5	36°
6	30°
7	25.7°
8	22.5°
9	20°
10	18°

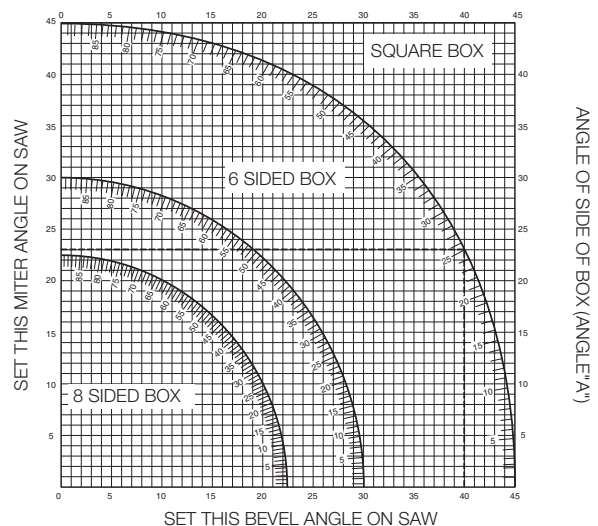
COMPOUND MITRE (FIG. S1 & S2)

A compound mitre is a cut made using a mitre angle (fig. R2) and a bevel angle (fig. R1) at the same time. This is the type of cut used to make frames or boxes with slanting sides like the one shown in fig. S1.



WARNING: If the cutting angle varies from cut to cut, check that the bevel clamp knob and the mitre lock knob are securely tightened. These knobs must be tightened after making any changes in bevel or mitre.

- The chart shown below will assist you in selecting the proper bevel and mitre settings for common compound mitre cuts. To use the chart, select the desired angle "A" (fig. S2) of your project and locate that angle on the appropriate arc in the chart. From that point follow the chart straight down to find the correct bevel angle and straight across to find the correct mitre angle.



- Set your saw to the prescribed angles and make a few trial cuts.
- Practice fitting the cut pieces together.
- Example: To make a 4 sided box with 25° exterior angles (angle "A") (fig. S2), use the upper right arc. Find 25° on the arc scale. Follow the horizontal intersecting line to either side to get the mitre angle setting on the saw (23°).

Likewise follow the vertical intersecting line to the top or bottom to get the bevel angle setting on the saw (40°). Always try cuts on a few scrap pieces of wood to verify the settings on the saw.

Cutting Base Mouldings

The cutting of base moulding is performed at a 45° bevel angle.

- Always make a dry run without power before making any cuts.
- All cuts are made with the back of the moulding laying flat on the saw.

INSIDE CORNER

Left side

- Position the moulding with top of the moulding against the fence.
- Save the left side of the cut.

Right side

- Position the moulding with the bottom of the moulding against the fence.
- Save the left side of the cut.

OUTSIDE CORNER

Left side

- Position the moulding with the bottom of the moulding against the fence.
- Save the right side of the cut.

Right side

- Position the moulding with top of the moulding against the fence.
- Save the right side of the cut.

Cutting Crown Mouldings

The cutting of crown moulding is performed in a compound mitre. In order to achieve extreme accuracy, your saw has pre-set angle positions at 31.62° mitre and 33.85° bevel. These settings are for standard crown mouldings with 52° angles at the top and 38° angles at the bottom.

- Make test cuts using scrap material before doing the final cuts.
- All cuts are made in a left bevel and with the back of the moulding against the base.

INSIDE CORNER

Left side

- Top of the moulding against the fence.
- Mitre right.
- Save the left side of the cut.

Right side

- Bottom of the moulding against the fence.
- Mitre left.
- Save the left side of the cut.

OUTSIDE CORNER

Left side

- Bottom of the moulding against the fence.
- Mitre left.
- Save the left side of the cut.

Right side

- Top of the moulding against the fence.
- Mitre right.
- Save the right side of the cut.

GROOVING (FIG. T)

Your saw is equipped with a grooving stop (12) and grooving depth adjustment knob (15) to allow for groove cutting.

- Flip the grooving stop (12) towards the front of the saw.
- Adjust the grooving depth adjustment knob (15) to set the depth of the groove cut. It might be necessary to release the lock nut (66) first.
- Place a piece of scrap material of approx. 5 cm between fence and workpiece in order to perform a straight groove cut.

DUST EXTRACTION (FIG. A2 & A5)

This machine is provided with a dust extraction point (24) for connection of a dust extraction kit (36) (available as an option).



WARNING! Whenever possible, connect a dust extraction device designed in accordance with the relevant regulations regarding dust emission.

Connect a dust collection device designed in accordance with the relevant regulations. The air velocity of externally connected systems shall be 20 m/s +/- 2 m/s. Velocity to be measured in the connection tube at the point of connection, with the tool connected, but not running.

CUTTING SMALL PIECES (FIG. J1)

The upper part of the left side of the fence (3) can be adjusted to provide maximum support when cutting small pieces.

- Put the saw blade into vertical position.
- Loosen the plastic knob (29) at least 3 full turns.
- Adjust the fence as close to the blade as possible.
- Tighten the knob securely.

SUPPORT FOR LONG PIECES (FIG. A4)

- Always support long pieces.
- For best results, use the legstand (35) to extend the table width of your saw (available from your dealer as an option). Support long workpieces using any convenient means such as saw-horses or similar devices to keep the ends from dropping.

TRANSPORTING (FIG. A6, B)



WARNING: Never use the guards to lift or transport the saw.

In order to conveniently carry the tool, a carrying strap can be attached to the base. The carrying strap (see fig. A6) is available as an option.

- To transport the saw, lower the head and depress the lock down pin (14).
- Lock the rail lock knob with the saw head in the front position, lock the mitre arm in the right mitre angle, slide the fence (3) completely inward and lock the bevel lever (11) with the saw head in the vertical position to make the tool as compact as possible.
- Always use the hand indentations (30) shown in fig. B to transport the saw.

MAINTENANCE

Your DEWALT power tool has been designed to operate over a long period of time with a minimum of maintenance. Continuous satisfactory operation depends upon proper tool care and regular cleaning.



WARNING: To reduce the risk of injury, turn unit off and disconnect machine from power source before installing and removing accessories, before adjusting or changing set-ups or when making repairs. Be sure the trigger switch is in the OFF position. An accidental start-up can cause injury.



Lubrication

This machine requires no additional lubrication. The bearings of the motor are pre-lubricated and watertight.


- Avoid using oil or grease as this can cause clogging with sawdust and chips and create problems.
- Clean the parts subject to accumulation of sawdust and chips periodically with a dry brush.





Cleaning


Before use, carefully check the upper blade guard, movable lower blade guard as well as the dust extraction tube to determine that it will operate properly. Ensure that chips, dust or workpiece particle cannot lead to blockage of one of the functions.

In case of workpiece fragments jammed between saw blade and guards disconnect the machine from the power supply and follow the instructions given in section **Mounting the Saw Blade**. Remove the jammed parts and reassemble the saw blade.

 **WARNING:** Blow dirt and dust out of the main housing with dry air as often as dirt is seen collecting in and around the air vents. Wear approved eye protection and approved dust mask when performing this procedure.

 **WARNING:** Never use solvents or other harsh chemicals for cleaning the non-metallic parts of the tool. These chemicals may weaken the materials used in these parts. Use a cloth dampened only with water and mild soap. Never let any liquid get inside the tool; never immerse any part of the tool into a liquid.

 **WARNING:** To reduce the risk of injury, regularly clean the table top.


 **WARNING:** To reduce the risk of injury, regularly clean the dust collection system.

CLEANING AND MAINTAINING THE KERF PLATE (FIG. U)

Regularly clean the area below the kerf plate. If the kerf plate is worn it must be replaced.

- Remove the screws (67) holding the kerf plate (31).
- Remove the kerf plate and clean the area below.
- Re-install the parts of the kerf plate and the screws.
- Tighten the screws hand-tight.
- To adjust the kerf plate, proceed as follows:
- Pull down the head until the blade just enters the saw kerf.
- Adjust each part of the kerf plate to fit closely to the teeth of the blade.
- Tighten the screws.

Optional Accessories

 **WARNING:** Since accessories, other than those offered by DEWALT, have not been tested with this product, use of such accessories with this tool could be hazardous. To reduce the risk of injury, only DEWALT, recommended accessories should be used with this product.

SAW BLADES

ALWAYS use 216 mm saw blades with 30 mm arbour holes. Blade speed rating must be at least 5500 RPM. Never use a smaller or greater blade diameter. It will not be guarded properly.

BLADE DESCRIPTIONS		
APPLICATION	DIAMETER	TEETH
Construction Saw Blades (for all purpose cutting)		
General Purpose	216 mm	48
Woodworking Saw Blades (provide smooth, clean cuts)		
Fine crosscuts	216 mm	60

Consult your dealer for further information on the appropriate accessories.

Protecting the Environment



Separate collection. This product must not be disposed of with normal household waste.

Should you find one day that your DEWALT product needs replacement, or if it is of no further use to you, do not dispose of it with household waste. Make this product available for separate collection.



Separate collection of used products and packaging allows materials to be recycled and used again. Re-use of recycled materials helps prevent environmental pollution and reduces the demand for raw materials.

Local regulations may provide for separate collection of electrical products from the household, at municipal waste sites or by the retailer when you purchase a new product.

DEWALT provides a facility for the collection and recycling of DEWALT products once they have reached the end of their working life. To take advantage of this service please return your product to any authorised repair agent who will collect them on our behalf.

You can check the location of your nearest authorised repair agent by contacting your local DEWALT office at the address indicated in this manual. Alternatively, a list of authorised DEWALT repair agents and full details of our after-sales service and contacts are available on the Internet at: www.2helpU.com.

GUARANTEE

DEWALT is confident of the quality of its products and offers an outstanding guarantee for professional users of the product. This guarantee statement is in addition to and in no way prejudices your contractual rights as a professional user or your statutory rights as a private non-professional user. The guarantee is valid within the territories of the Member States of the European Union and the European Free Trade Area.

• 30 DAY NO RISK SATISFACTION GUARANTEE •

If you are not completely satisfied with the performance of your DEWALT tool, simply return it within 30 days, complete with all original components, as purchased, to the point of purchase, for a full refund or exchange. The product must have been subject to fair wear and tear and proof of purchase must be produced.

• ONE YEAR FREE SERVICE CONTRACT •

If you need maintenance or service for your DEWALT tool, in the 12 months following purchase, you are entitled to one service free of charge. It will be undertaken free of charge at an authorised DEWALT repair agent. Proof of purchase must be produced. Includes labour. Excludes accessories and spare parts unless failed under warranty.

• ONE YEAR FULL WARRANTY •

If your DEWALT product becomes defective due to faulty materials or workmanship within 12 months from the date of purchase, DEWALT guarantees to replace all defective parts free of charge or – at our discretion – replace the unit free of charge provided that:

- The product has not been misused;
- The product has been subject to fair wear and tear;
- Repairs have not been attempted by unauthorised persons;
- Proof of purchase is produced;
- The product is returned complete with all original components.

If you wish to make a claim, contact your seller or check the location of your nearest authorised DEWALT repair agent in the DEWALT catalogue or contact your DEWALT office at the address indicated in this manual. A list of authorised DEWALT repair agents and full details of our after-sales service is available on the Internet at: www.2helpU.com.

Belgique et Luxembourg België en Luxemburg	Black & Decker - DEWALT Nieuwlandlaan 7, IZ Aarschot B156 B-3200 Aarschot	Dutch Tel: 32 70 220 063 French Tel: 32 70 220 062	Fax: 32 70 225 585 Fax: 32 70 222 441 www.dewalt.be
Danmark	DEWALT Sluseholmen 2-4 2450 København SV		Tlf: 70201511 Fax: 70224910 www.dewalt.dk
Deutschland	DEWALT Richard Klinger Str. 11 65510 Idstein		Tel: 06126-21-1 Fax: 06126-21-2770 www.dewalt.de
Ελλάς	Black & Decker (Ελλάς) A.E. Στράβωνος 7 & Βουλιαγμένης 159 Γλυφάδα 16674, Αθήνα	Τηλ: 30 210 8981-616 Service: 30 210 8981-616 Φαξ: 30 210 8983-570	www.dewalt.gr
España	DEWALT Parque de Negocios "Mas Blau" Edificio Muntadas, c/Bergadá, 1, Of. A6 08820 El Prat de Llobregat (Barcelona)		Tel: 934 797 400 Fax: 934 797 419 www.dewalt.es
France	DEWALT 5, allée des hêtres BP 30084, 69579 Limonest Cedex		Tel: 04 72 20 39 20 Fax: 04 72 20 39 00 www.dewalt.fr
Schweiz Suisse Svizzera	DEWALT In der Luberzen 40 8902 Urdorf		Tel: 01 - 730 67 47 Fax: 01 - 730 70 67 www.dewalt.ch
Ireland	DEWALT Calpe House Rock Hill Black Rock, Co. Dublin		Tel: 00353-2781800 Fax: 00353-2781811 www.dewalt.ie
Italia	DEWALT c/o Energypark Building 03 sud, Via Monza 7/A, 20871 Vimercate (MB), IT		Tel: 800-014353 Fax: 39 039 9590 317 www.dewalt.it
Nederlands	Black & Decker - DEWALT Joulehof 12 4600 AB Bergen Op Zoom		Tel: 31 164 283 063 Fax: 31 164 283 200 www.dewalt.nl
Norge	DEWALT Postboks 4613, Nydalen 0405 Oslo		Tel: 45 25 13 00 Fax: 45 25 08 00 www.dewalt.no
Österreich	DEWALT Werkzeug Vertriebsges m.b.H Oberlaaerstrasse 248 A-1230 Wien		Tel: 01 - 66116 - 0 Fax: 01 - 66116 - 14 www.dewalt.at
Portugal	DEWALT Centro de Escritórios de Sintra Avenida Almirante Gago Coutinho, 132/134, Edifício 142710-418 Sintra 2710-418 Lisboa		Tel: 214 66 75 00 Fax: 214 66 75 75 www.dewalt.pt
Suomi	DEWALT Tekniikantie 12 02150 Espoo, Finland		Puh: 010 400 430 Faksi: 0800 411 340 www.dewalt.fi
Sverige	DEWALT Box 94 431 22 Mölndal		Tel: 031 68 61 00 Fax: 031 68 60 08 www.dewalt.se
Türkiye	KALE Hırdavat ve Makina A.Ş. Defterdar Mah. Savaklar Cad. No:15 Edirnekapı / Eyüp / İSTANBUL 34050 TÜRKİYE		Tel: 0212 533 52 55 Faks: 0212 533 10 05 www.dewalt.com.tr
United Kingdom	DEWALT 210 Bath Road; Slough, Berks SL1 3YD	Tel: 01753-56 70 55 Fax: 01753-57 21 12	www.dewalt.co.uk
Middle East Africa	DEWALT P.O. Box - 17164, Jebel Ali (South Zone), Dubai, UAE		Tel: 971 4 8863030 Fax: 971 4 8863333 www.dewalt.ae