

---

# DEWALT®

---

## ***XR LI-ION***

**[www.DEWALT.com](http://www.DEWALT.com)**

**DCS331**  
**DCS332**

---

**English**

**6**

---

**한국어**

**17**

---

Figure 1  
그림 1

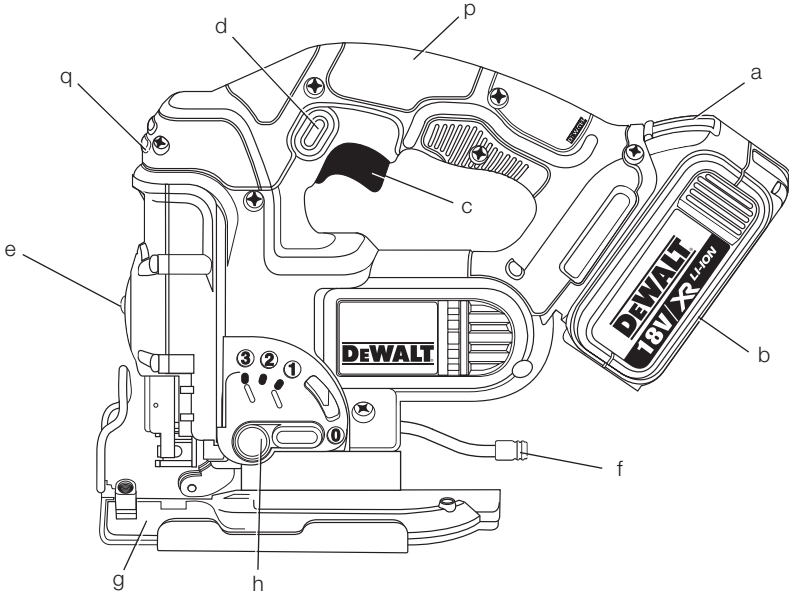


Figure 2  
그림 2

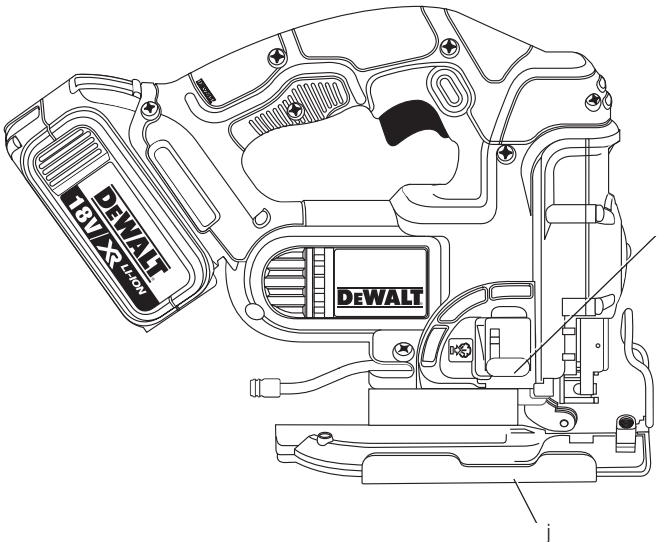


Figure 3  
그림 3

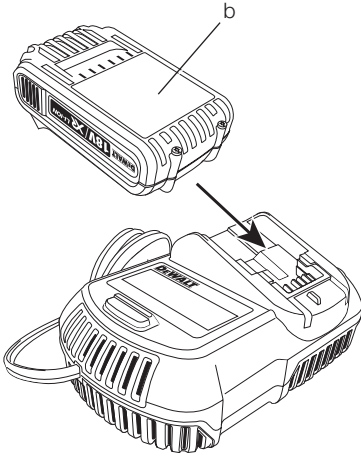


Figure 4  
그림 4

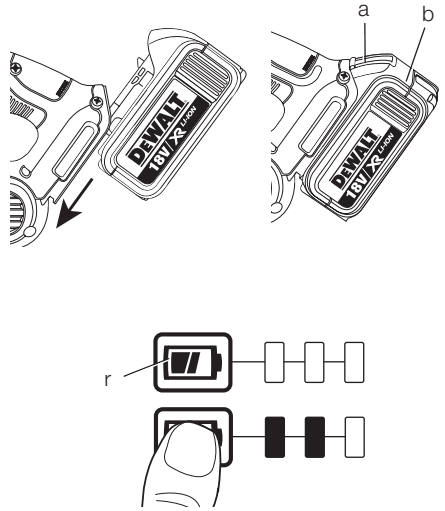


Figure 5  
그림 5

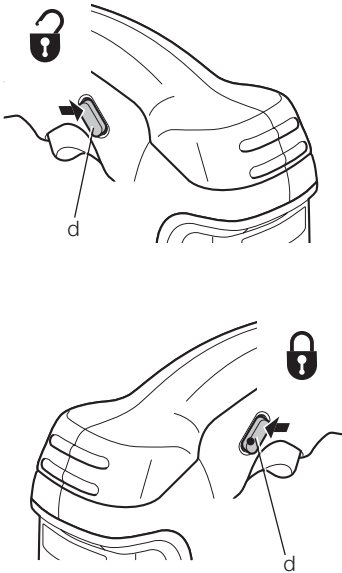


Figure 6  
그림 6

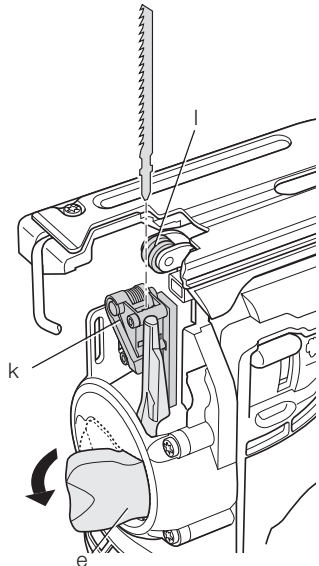


Figure 7  
그림 7

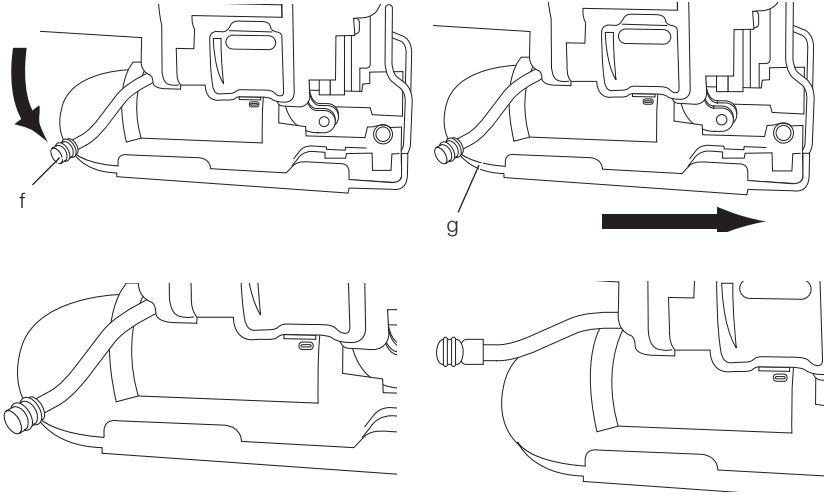


Figure 8  
그림 8

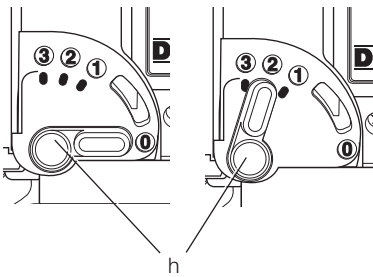


Figure 9  
그림 9

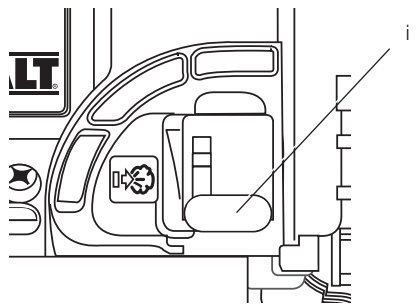


Figure 10  
그림 10

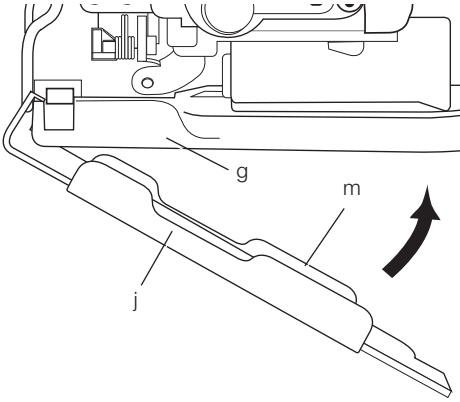


Figure 11  
그림 11

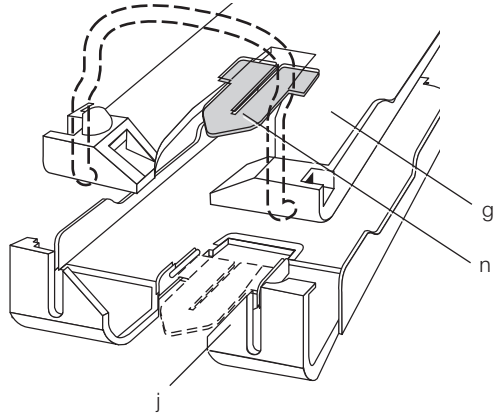


Figure 12  
그림 12

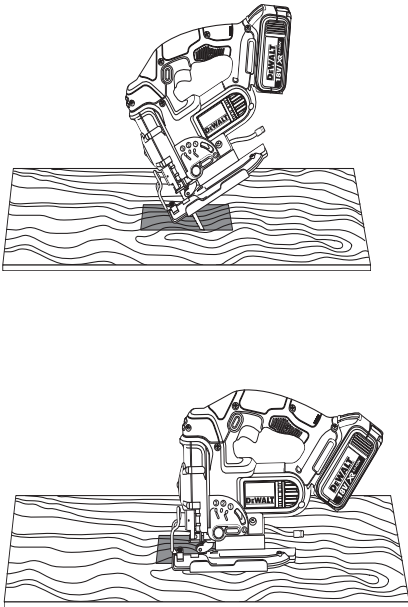
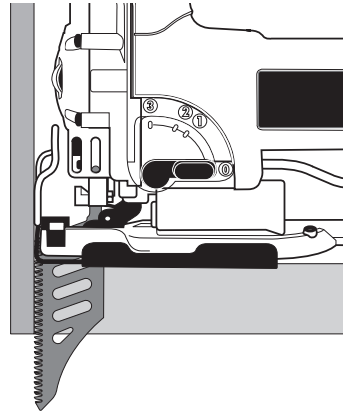
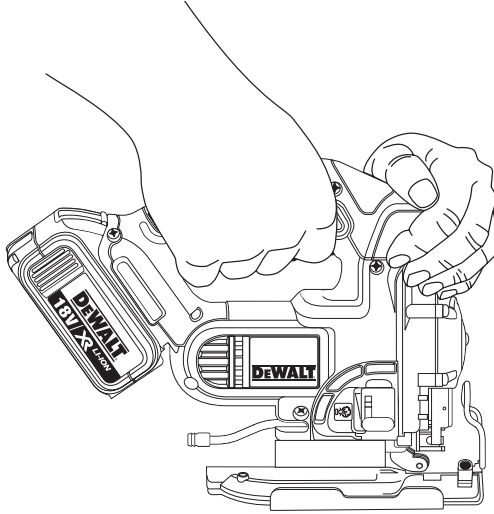


Figure 13  
그림 13



---

Figure 14  
그림 14



# CORDLESS JIGSAW

## DCS331, DCS332

### Congratulations!

You have chosen a DEWALT tool. Years of experience, thorough product development and innovation make DEWALT one of the most reliable partners for professional power tool users.

### Technical Data

		DCS332	DCS331
Voltage	$V_{DC}$	14.4	18
Battery Type		Li-Ion	Li-Ion
No-load speed	$\text{min}^{-1}$	0–2500	0–3000
Stroke length	mm	26	26
Cutting depth in:			
– wood	mm	135	135
– aluminum	mm	25	25
– steel	mm	10	10
Bevel angle adjustment (l/r)	°	0–45	0–45
Weight (without battery pack)	kg	2.4	2.4

Battery pack	DCB140	DCB141	DCB142
Battery type	Li-Ion	Li-Ion	Li-Ion
Voltage	$V_{DC}$	14.4	14.4
Capacity	$A_h$	3.0	4.0
Weight	kg	0.53	0.54

Battery pack	DCB180	DCB181	DCB182
Battery type	Li-Ion	Li-Ion	Li-Ion
Voltage	$V_{DC}$	18	18
Capacity	$A_h$	3.0	4.0
Weight	kg	0.64	0.61

Battery pack	DCB183	DCB184
Battery type	Li-Ion	Li-Ion
Voltage	$V_{DC}$	18
Capacity	$A_h$	2.0
Weight	kg	0.4

Charger	DCB105	
Mains voltage	$V_{AC}$	220-240 V
Battery type	Li-Ion	
Approx. charging time	min	30 55 (1.5 Ah battery packs) (3.0 Ah battery packs)
		70 (4.0 Ah battery packs)
Weight	kg	0.49

Charger	DCB115	
Mains voltage	$V_{AC}$	220-240 V
Battery type	Li-Ion	
Approx. charging time	min	25 30 (1.3 Ah battery packs) (1.5 Ah battery packs)
		40 55 (2.0 Ah battery packs) (3.0 Ah battery packs)
		70 90 (4.0 Ah battery packs) (5.0 Ah battery packs)
Weight	kg	0.5

### Definitions: Safety Guidelines

The definitions below describe the level of severity for each signal word. Please read the manual and pay attention to these symbols.



**DANGER:** Indicates an imminently hazardous situation which, if not avoided, **will** result in **death or serious injury**.



**WARNING:** Indicates a potentially hazardous situation which, if not avoided, **could** result in **death or serious injury**.



**CAUTION:** Indicates a potentially hazardous situation which, if not avoided, **may** result in **minor or moderate injury**.

**NOTICE:** Indicates a practice **not related to personal injury** which, if not avoided, **may** result in **property damage**.





Denotes risk of electric shock.



Denotes risk of fire.



**WARNING:** To reduce the risk of injury, read the instruction manual.

## General Power Tool Safety Warnings



**WARNING!** Read all safety warnings and instructions. Failure to follow the warnings and instructions may result in electric shock, fire and/or serious injury.

### SAVE ALL WARNINGS AND INSTRUCTIONS FOR FUTURE REFERENCE

The term "power tool" in the warnings refers to your mains-operated (corded) power tool or battery-operated (cordless) power tool.

#### 1) WORK AREA SAFETY

- Keep work area clean and well lit.**  
Cluttered or dark areas invite accidents.
- Do not operate power tools in explosive atmospheres, such as in the presence of flammable liquids, gases or dust.** Power tools create sparks which may ignite the dust or fumes.
- Keep children and bystanders away while operating a power tool.** Distractions can cause you to lose control.

#### 2) ELECTRICAL SAFETY

- Power tool plugs must match the outlet. Never modify the plug in any way. Do not use any adapter plugs with earthed (grounded) power tools.** Unmodified plugs and matching outlets will reduce risk of electric shock.
- Avoid body contact with earthed or grounded surfaces such as pipes, radiators, ranges and refrigerators.** There is an increased risk of electric shock if your body is earthed or grounded.
- Do not expose power tools to rain or wet conditions.** Water entering a power tool will increase the risk of electric shock.
- Do not abuse the cord. Never use the cord for carrying, pulling or unplugging the power tool. Keep cord away from heat, oil, sharp edges or moving parts.** Damaged or entangled cords increase the risk of electric shock.
- When operating a power tool outdoors, use an extension cord suitable for outdoor use.** Use of a cord suitable for outdoor use reduces the risk of electric shock.

- If operating a power tool in a damp location is unavoidable, use a residual current device (RCD) protected supply.** Use of an RCD reduces the risk of electric shock.

#### 3) PERSONAL SAFETY

- Stay alert, watch what you are doing and use common sense when operating a power tool. Do not use a power tool while you are tired or under the influence of drugs, alcohol or medication.** A moment of inattention while operating power tools may result in serious personal injury.
- Use personal protective equipment. Always wear eye protection.** Protective equipment such as dust mask, non-skid safety shoes, hard hat, or hearing protection used for appropriate conditions will reduce personal injuries.
- Prevent unintentional starting. Ensure the switch is in the off position before connecting to power source and/or battery pack, picking up or carrying the tool.** Carrying power tools with your finger on the switch or energising power tools that have the switch on invites accidents.
- Remove any adjusting key or wrench before turning the power tool on.** A wrench or a key left attached to a rotating part of the power tool may result in personal injury.
- Do not overreach. Keep proper footing and balance at all times.** This enables better control of the power tool in unexpected situations.
- Dress properly. Do not wear loose clothing or jewellery. Keep your hair, clothing and gloves away from moving parts.** Loose clothes, jewellery or long hair can be caught in moving parts.
- If devices are provided for the connection of dust extraction and collection facilities, ensure these are connected and properly used.** Use of dust collection can reduce dust-related hazards.

#### 4) POWER TOOL USE AND CARE

- Do not force the power tool. Use the correct power tool for your application.** The correct power tool will do the job better and safer at the rate for which it was designed.
- Do not use the power tool if the switch does not turn it on and off.** Any power tool that cannot be controlled with the switch is dangerous and must be repaired.

- c) **Disconnect the plug from the power source and/or the battery pack from the power tool before making any adjustments, changing accessories, or storing power tools.** Such preventive safety measures reduce the risk of starting the power tool accidentally.
- d) **Store idle power tools out of the reach of children and do not allow persons unfamiliar with the power tool or these instructions to operate the power tool.** Power tools are dangerous in the hands of untrained users.
- e) **Maintain power tools. Check for misalignment or binding of moving parts, breakage of parts and any other condition that may affect the power tool's operation. If damaged, have the power tool repaired before use.** Many accidents are caused by poorly maintained power tools.
- f) **Keep cutting tools sharp and clean.** Properly maintained cutting tools with sharp cutting edges are less likely to bind and are easier to control.
- g) **Use the power tool, accessories and tool bits etc., in accordance with these instructions taking into account the working conditions and the work to be performed.** Use of the power tool for operations different from those intended could result in a hazardous situation.

**5) BATTERY TOOL USE AND CARE**

- a) **Recharge only with the charger specified by the manufacturer.** A charger that is suitable for one type of battery pack may create a risk of fire when used with another battery pack.
- b) **Use power tools only with specifically designated battery packs.** Use of any other battery packs may create a risk of injury and fire.
- c) **When battery pack is not in use, keep it away from other metal objects like paper clips, coins, keys, nails, screws or other small metal objects that can make a connection from one terminal to another.** Shorting the battery terminals together may cause burns or a fire.
- d) **Under abusive conditions, liquid may be ejected from the battery, avoid contact. If contact accidentally occurs, flush with water. If liquid contacts eyes, additionally seek medical help.** Liquid ejected from the battery may cause irritation or burns.

**6) SERVICE**

- a) **Have your power tool serviced by a qualified repair person using only identical replacement parts.** This will ensure that the safety of the power tool is maintained.

**Additional Safety Rules for Jigsaws**

- **Hold power tool by insulated gripping surfaces, when performing an operation where the cutting accessory may contact hidden wiring.** Cutting accessory contacting a "live" wire may make exposed metal parts of the power tool "live" and could give the operator an electric shock.
- **Use clamps or another practical way to secure and support the workpiece to a stable platform.** Holding the work by hand or against your body leaves it unstable and may lead to loss of control.
- **Allow the motor to come to a complete stop before withdrawing the blade from the kerf (the slot created by cutting).** A moving blade may impact the workpiece causing a broken blade, workpiece damage or loss of control and possible personal injury.
- **Keep handles dry, clean, free from oil and grease.** This will enable better control of the tool.
- **Keep blades sharp.** Dull blades may cause the saw to swerve or stall under pressure.
- **Clean out your tool often, especially after heavy use.** Dust and grit containing metal particles often accumulate on interior surfaces and could create an electric shock hazard.
- **Do not operate this tool for long periods of time.** Vibration caused by the operating action of this tool may cause permanent injury to fingers, hands, and arms. Use gloves to provide extra cushion, take frequent rest periods, and limit daily time of use.

**Residual Risks**

- *In spite of the application of the relevant safety regulations and the implementation of safety devices, certain residual risks cannot be avoided.*  
These are:
  - Impairment of hearing.
  - Risk of accidents caused by the uncovered parts of the moving saw blade.
  - Risk of injury when changing the blade.
  - Risk of dust inhalation from materials that when cut, can be harmful.

## Markings on Tool

The following pictograms are shown on the tool:



Read instruction manual before use.

### DATE CODE POSITION

The Date Code, which also includes the year of manufacture, is printed into the housing surface that forms the mounting joint between tool and battery.

Example:

2012 XX XX

Year of Manufacture

## Important Safety Instructions for All Battery Chargers

**SAVE THESE INSTRUCTIONS:** This manual contains important safety and operating instructions for the DCB105 and DCB115 battery charger.

- Before using the charger, read all instructions and cautionary markings on charger, battery pack and product using the battery pack.



**WARNING:** Shock hazard. Do not allow any liquid to get inside charger. Electric shock may result.



**CAUTION:** Burn hazard. To reduce the risk of injury, charge only DEWALT rechargeable battery packs. Other types of batteries may overheat and burst resulting in personal injury and property damage.



**CAUTION:** Children should be supervised to ensure that they do not play with the appliance.

**NOTICE:** Under certain conditions, with the charger plugged in to the power supply, the exposed charging contacts inside the charger can be shorted by foreign material. Foreign materials of a conductive nature such as, but not limited to, steel wool, aluminum foil or any buildup of metallic particles should be kept away from charger cavities. Always unplug the charger from the power supply when there is no battery pack in the cavity. Unplug charger before attempting to clean.

- **These chargers are not intended for any uses other than charging DEWALT rechargeable batteries.** Any other uses may result in risk of fire, electric shock or electrocution.
- **Do not expose charger to rain or snow.**
- **Pull by plug rather than cord when disconnecting charger.** This will reduce risk of damage to electric plug and cord.
- **Make sure that cord is located so that it will not be stepped on, tripped over or otherwise subjected to damage or stress.**
- **Do not use an extension cord unless it is absolutely necessary.** Use of improper extension cord could result in risk of fire, electric shock or electrocution.
- **When operating a charger outdoors, always provide a dry location and use an extension cord suitable for outdoor use.** Use of a cord suitable for outdoor use reduces the risk of electric shock.
- **Do not block the ventilation slots on the charger.** The ventilation slots are located on the top and sides of the charger. Place the charger in a position away from any heat source.
- **Do not operate charger with damaged cord or plug** — have them replaced immediately.
- **Do not operate charger if it has received a sharp blow, been dropped or otherwise damaged in any way.** Take it to an authorised service centre.
- **Do not disassemble the charger; take it to an authorised service centre when service or repair is required.** Incorrect reassembly may result in a risk of electric shock, electrocution or fire.
- In case of damaged power supply cord the supply cord must be replaced immediately by the manufacturer, its service agent or similar qualified person to prevent any hazard.
- **Disconnect the charger from the outlet before attempting any cleaning. This will reduce the risk of electric shock.** Removing the battery pack will not reduce this risk.
- **NEVER** attempt to connect 2 chargers together.
- **The charger is designed to operate on standard 220-240 V household electrical power. Do not attempt to use it on any other voltage.** This does not apply to the vehicular charger.
- **DO NOT attempt to charge the battery pack with any chargers other than the ones in this manual.** The charger and battery pack are specifically designed to work together.

**SAVE THESE INSTRUCTIONS**

**Chargers**

The DCB105 and DCB115 charger accepts 10.8 V, 14.4 V and 18 V Li-Ion (DCB121, DCB123, DCB140, DCB141, DCB142, DCB180, DCB181 DCB182, DCB183 and DCB184) battery packs

This charger requires no adjustment and is designed to be as easy as possible to operate.






**Charging Procedure (fig. 3)**

1. Plug the charger into an appropriate 220-240 V outlet before inserting the battery pack.
2. Insert the battery pack (b) into the charger, making sure the pack is fully seated in the charger. The red (charging) light will blink continuously indicating that the charging process has started.
3. The completion of charge will be indicated by the red light remaining ON continuously. The pack is fully charged and may be used at this time or left in the charger.

**NOTE:** To ensure maximum performance and life of Li-Ion batteries, charge the battery pack fully before first use.

**Charging Process**

Refer to the table below for the state of charge of the battery pack.

State of charge	
 charging	— — — — —
 fully charged	—————
 hot/cold pack delay	— • — • — • — •
 problem pack or charger	• • • • • • • • • •
 problem powerline	• • • • • • • •

This charger will not charge a faulty battery pack. The charger will indicate faulty battery by refusing to light or by displaying problem pack or charger blink pattern.

**NOTE:** This could also mean a problem with a charger.

If the charger indicates a problem, take the charger and battery pack to be tested at an authorised service centre.

**Hot/Cold Pack Delay**

When the charger detects a battery that is too hot or too cold, it automatically starts a hot/cold pack delay, suspending charging until the battery has

reached an appropriate temperature. The charger then automatically switches to the pack charging mode. This feature ensures maximum battery life.

XR Li-Ion tools are designed with an Electronic Protection System that will protect the battery against overloading, overheating or deep discharge.

The tool will automatically turn off if the Electronic Protection System engages. If this occurs, place the Li-Ion battery on the charger until it is fully charged.

A cold battery pack will charge at about half the rate of a warm battery pack. The battery pack will charge at that slower rate throughout the entire charging cycle and will not return to maximum charge rate even if the battery warms.

**Important Safety Instructions for All Battery Packs**

When ordering replacement battery packs, be sure to include the catalog number and voltage.

The battery pack is not fully charged out of the carton. Before using the battery pack and charger, read the safety instructions below and then follow the charging procedures outlined.

**READ ALL INSTRUCTIONS**

- **Do not charge or use the battery pack in explosive atmospheres, such as in the presence of flammable liquids, gases or dust.** Inserting or removing the battery pack from the charger may ignite the dust or fumes.
- **Never force the battery pack into charger. Do not modify the battery pack in any way to fit into a non-compatible charger as battery pack may rupture causing serious personal injury.**
- Charge the battery packs only in designated DEWALT chargers.
- **DO NOT** splash or immerse in water or other liquids.
- **Do not store or use the tool and battery pack in locations where the temperature may reach or exceed 40 °C (105 °F) (such as outside sheds or metal buildings in summer).**
- For best results, make sure the battery pack is fully charged before use.



**WARNING:** Never attempt to open the battery pack for any reason. If the battery pack case is cracked or damaged, do not insert it into the charger. Do not crush, drop or damage battery pack. Do not use a battery pack or charger that has received a sharp blow, been dropped, run over

or damaged in any way (e.g., pierced with a nail, hit with a hammer, stepped on). Electric shock or electrocution may result. Damaged battery packs should be returned to the service centre for recycling.



**CAUTION: When not in use, place tool on its side on a stable surface where it will not cause a tripping or falling hazard.** Some tools with large battery packs will stand upright on the battery pack but may be easily knocked over.

**SPECIFIC SAFETY INSTRUCTIONS FOR LITHIUM ION (Li-Ion)**

- **Do not incinerate the battery pack even if it is severely damaged or is completely worn out.** The battery pack can explode in a fire. Toxic fumes and materials are created when lithium ion battery packs are burned.
- **If battery contents come into contact with the skin, immediately wash the area with mild soap and water.** If the battery liquid gets into the eye, rinse water over the open eye for 15 minutes or until irritation ceases. If medical attention is needed, the battery electrolyte is composed of a mixture of liquid organic carbonates and lithium salts.
- **Contents of opened battery cells may cause respiratory irritation.** Provide fresh air. If symptoms persists, seek medical attention.



**WARNING: Burn hazard.** Battery liquid may be flammable if exposed to spark or flame.

**Battery Pack**

**BATTERY TYPE**

The DCS332 operates on an 14.4 volt battery pack.  
 The DCS331 operates on an 18 volt battery pack.  
 The DCB140, DCB141, DCB142, DCB180, DCB181 DCB182, DCB183 or DCB184 battery packs may be used. Refer to **Technical Data** for more information.

**Storage Recommendations**

1. The best storage place is one that is cool and dry away from direct sunlight and excess heat or cold. For optimum battery performance and life, store battery packs at room temperature when not in use.
2. For long storage, it is recommended to store a fully charged battery pack in a cool, dry place out of the charger for optimal results.

**NOTE:** Battery packs should not be stored completely depleted of charge. The battery pack will need to be recharged before use.

**Labels on Charger and Battery Pack**

In addition to the pictographs used in this manual, the labels on the charger and the battery pack show the following pictographs:



Read instruction manual before use.



Charging.



Fully charged.



Hot/cold pack delay.



Problem pack or charger.



Problem powerline.



Do not probe with conductive objects.



Do not charge damaged battery packs.



Use only with DEWALT battery packs. Others may burst, causing personal injury and damage.



Do not expose to water.



Have defective cords replaced immediately.



Charge only between 4 °C and 40 °C.



Discard the battery pack with due care for the environment.

LI-ION



Do not incinerate the battery pack.



Li-Ion Charges Li-Ion battery packs.



See **Technical Data** for charging time.



Only for indoor use.

## Package Contents

- 1 Cordless jigsaw
- 1 Anti-scratch shoe cover
- 1 Dust port
- 2 Batteries
- 1 Charger
- 1 Instruction manual

**NOTE:** Battery packs, chargers and kitboxes are not included with N-models.

- *Check for damage to the tool, parts or accessories which may have occurred during transport.*
- *Take the time to thoroughly read and understand this manual prior to operation.*

## Description (fig. 1, 2, 6, 10, 11)



**WARNING:** Never modify the power tool or any part of it. Damage or personal injury could result.

- a. Battery release button
- b. Battery pack
- c. Trigger switch
- d. Trigger lock button
- e. Blade release lever
- f. Bevel lever
- g. Shoe
- h. Orbital action lever
  - i. Dust blower control
- j. Anti-scratch shoe cover
- k. Clamp Mechanism
  - l. Guide Roller
- m. Rear Tab
- n. Anti-Splinter Insert
- p. Main Handle
- q. Top Handle

### INTENDED USE

Your DCS332 and DCS331 jig saws are designed for professional cutting of wood, steel, aluminium, plastic and ceramic material at various work sites (i.e., construction sites).

**DO NOT** use under wet conditions or in presence of flammable liquids or gases.

These heavy-duty jigsaws are professional power tools.

**DO NOT** let children come into contact with the tool. Supervision is required when inexperienced operators use this tool.

- This product is not intended for use by persons (including children) suffering from diminished physical, sensory or mental abilities; lack of experience, knowledge or skills unless they are supervised by a person responsible for their safety. Children should never be left alone with this product.

## Electrical Safety

The electric motor has been designed for one voltage only. Always check that the battery pack voltage corresponds to the voltage on the rating plate. Also make sure that the voltage of your charger corresponds to that of your mains.



Your DEWALT charger is double insulated in accordance with IEC 60335; therefore no earth wire is required.

If the supply cord is damaged, it must be replaced by a specially prepared cord available through the DEWALT service organisation.

## Using an Extension Cable

An extension cord should not be used unless absolutely necessary. Use an approved extension cable suitable for the power input of your charger (see **Technical Data**). The minimum conductor size is 1 mm<sup>2</sup>; the maximum length is 30 m.

When using a cable reel, always unwind the cable completely.

## ASSEMBLY AND ADJUSTMENT



**WARNING:** To reduce the risk of serious personal injury, depress the trigger lock button and disconnect battery pack before making any adjustments or removing/installing attachments or accessories. An accidental start-up can cause injury.



**WARNING:** Use only DEWALT battery packs and chargers.

## Inserting and Removing the Battery Pack from the Tool (fig. 4)

**NOTE:** For best results, make sure your battery pack is fully charged. The light will shut off without warning when the battery is fully discharged.

## TO INSTALL THE BATTERY PACK INTO THE TOOL HANDLE

1. Align the battery pack (b) with the rails inside the tool's handle (fig. 4).
2. Slide it into the handle until the battery pack is firmly seated in the tool and ensure that it does not disengage.

## TO REMOVE THE BATTERY PACK FROM THE TOOL

1. Press the battery release button (a) and firmly pull the battery pack out of the tool handle.
2. Insert battery pack into the charger as described in the charger section of this manual.

## FUEL GAUGE BATTERY PACKS (FIG. 4)

Some DEWALT battery packs include a fuel gauge which consists of three green LED lights that indicate the level of charge remaining in the battery pack.

To actuate the fuel gauge, press and hold the fuel gauge button (r). A combination of the three green LED lights will illuminate designating the level of charge left. When the level of charge in the battery is below the usable limit, the fuel gauge will not illuminate and the battery will need to be recharged.

**NOTE:** The fuel gauge is only an indication of the charge left on the battery pack. It does not indicate tool functionality and is subject to variation based on product components, temperature and end-user application.

## Blade Installation and Removal (fig. 6)

### TO INSTALL A BLADE

**NOTE:** This jig saw uses only T-shank jig saw blades.

**NOTE:** The DT2074 flush cutting blade is for use with DEWALT DCS331, DCS332, DW331 and DC330 jig saws only.

**NOTE:** When installing flush cutting blades (DT2074), the anti-splinter insert must be removed and the shoe must be in the 0° positive stop position.

1. Lift the keyless blade release lever (e) as shown in figure 6.
2. Insert the T-shank blade into the clamp mechanism (k) while guiding the back of the blade into the groove of the guide rollers (l).
3. The T-shank should be completely inside the clamp mechanism as shown in Figure 6.
4. Release the keyless blade release lever.

## TO REMOVE A BLADE



**CAUTION:** Do not touch used blades, they may be hot. Personal injury may result.

1. Lift the keyless blade release lever (e).
2. With a slight shake the blade will drop out.

## Beveling the Shoe (fig. 7)

**To unlock the shoe,** pull the keyless bevel lever (f) to the side.

**To lock the shoe,** push the keyless bevel lever back under the body of the jigsaw.

### TO BEVEL THE SHOE

1. Unlock the shoe.
2. Slide the shoe (g) forward to release it from the 0° positive stop position.
3. The shoe can be beveled to the left or to the right and has detents at 15°, 30° and 45°. The shoe can be manually stopped at any degree between 0° and 45°.
4. Once the desired bevel angle is achieved, lock the shoe into place.

### TO SET SHOE BACK TO 0°

1. Unlock the shoe.
2. Rotate the shoe back to 0°.
3. Slide the shoe back into the 0° positive stop position.
4. Lock the shoe.

## Cutting Action – Orbital or Straight (fig. 8)

This jig saw is equipped with four cutting actions, three orbital and one straight. Orbital action has a more aggressive blade motion and is designed for cutting in soft materials like wood or plastic. Orbital action provides a faster cut, but with a less smooth cut across the material. In orbital action, the blade moves forward during the cutting stroke in addition to the up and down motion.

**NOTE:** Metal or hardwoods should never be cut in orbital action.

**To adjust the cutting action,** move the orbital action lever (h) between the four cutting positions: 0, 1, 2, and 3. Position 0 is straight cutting. Positions 1, 2, and 3 are orbital cutting. The aggressiveness of the cut increase as the lever is adjusted from one to three, with three being the most aggressive cut.

## Dust Blower (fig. 9)

The dust blower helps clear the cutting area of debris created from the blade.

**NOTE:** When cutting metal, turn the dust blower off so cutting fluids are not blown away from the blade.

To turn the dust blower on, slide the dust blower control (i) all the way to the top.

To turn the dust blower off, slide the dust blower control all the way to the bottom.

## Removeable Anti-Scratch Shoe Cover (fig. 10)

The anti-scratch shoe cover (j) should be used when cutting surfaces that scratch easily, such as laminate, veneer or paint.

To attach anti-scratch shoe cover (j), place the front of the aluminum shoe (g) into the front of the anti-scratch shoe cover and lower the jig saw. The anti-scratch shoe cover will click securely onto the rear of aluminum shoe.

To remove anti-scratch shoe cover, grasp the anti-scratch shoe cover from the bottom; holding onto the two rear tabs (m) remove the anti-scratch shoe cover.

## Anti-Splinter Insert (fig. 11)

**NOTE:** Do not use the anti-splinter insert with the flush cutting blade.

The anti-splinter insert (n) should be used when trying to minimize tear-out, especially when cutting veneer, laminate, or finished surfaces, such as paint. The anti-splinter insert should be installed into the anti-scratch shoe cover (j). If the no-mar cover is not used, install anti-splinter insert into shoe (g).

## Prior to Operation

- Make sure your battery pack is (fully) charged.

## OPERATION



**WARNING:** To reduce the risk of serious personal injury, depress the trigger lock button and disconnect battery pack before making any adjustments or removing/installing attachments or accessories. An accidental start-up can cause injury.



**WARNING:** Always wear proper personal hearing protection. Under some conditions and duration of use, noise from this product may contribute to hearing loss.

## Instructions for Use



### WARNING:

- Always observe the safety instructions and applicable regulations.
- Make sure your workpiece is well secured. Remove nails, screws and other fasteners that may damage the blade.
- Check that there is sufficient space for the blade underneath the workpiece. Do not cut materials that are thicker than the maximum cutting depth.
- Use sharp saw blades only. Damaged or bent saw blades must be removed immediately.
- Never run your tool without a saw blade.
- For optimal results, move the tool smoothly and constantly over the workpiece. Do not exert lateral pressure on the saw blade. Keep the shoe flat on the workpiece. When sawing curves, circles or other round shapes, push the tool gently forward.
- Wait until the tool has come to a standstill before removing the saw blade from the workpiece. After sawing the blade may be very hot. Do not touch.

## Proper Hand Position (fig. 1, 14)



**WARNING:** To reduce the risk of serious personal injury, **ALWAYS** use proper hand position as shown.



**WARNING:** To reduce the risk of serious personal injury, **ALWAYS** hold securely in anticipation of a sudden reaction.

Proper hand position requires one hand on the top handle (q), with the other hand on the main handle (p).

## Trigger Switch (fig. 1)

To start the jig saw, squeeze the trigger switch (c).

To slow and stop the jig saw, release the trigger switch.

### VARIABLE SPEED (FIG. 5)

As the trigger switch is pressed in, the strokes-per-minute continue to increase, but not to exceed the maximum speed of the tool. As the trigger is released, the blade strokes-per-minute reduce.

The trigger lock button (d) should be depressed whenever the tool is not in use to eliminate the chance of accidental starting.



## Cutting



**WARNING:** The jig saw should not be operated with the shoe removed or serious personal injury may result.

### POCKET CUTTING (FIG. 12)

A pocket cut is an easy method of making an inside cut. The saw can be inserted directly into a panel or board without first drilling a lead or pilot hole. In pocket cutting, measure the surface to be cut and mark clearly with a pencil. Next tip the saw forward until the front end of the shoe sits firmly on the work surface and the blade clears the work through its full stroke. Switch the tool on and allow it to attain maximum speed. Grip the saw firmly and lower the back edge of tool slowly until the blade reaches its complete depth. Hold the shoe flat against the wood and begin cutting. Do not remove blade from cut while it is still moving. Blade must come to a complete stop.

### FLUSH CUTTING (FIG. 13)

A flush cut is necessary when finishing off cuts up to a wall or an obstacle, such as back-splash. One of the easiest ways to accomplish the flush cut is to use a flush cutting blade (DT2074). The flush cutting blade provides the reach necessary to cut right up to the front edge of the jig saw shoe. Remove the anti-splinter insert and return the shoe to the 0° positive stop position before installing and using the flush cutting blade. For the best cut quality the flush cutting blade should be used in the 0 or 1 orbital position. The flush cutting blade should not be used to start the cut because the flush cutting blade prevents the shoe from being supported by the work surface. Use wood cutting practices explained below.

### WOOD CUTTING

Support the workpiece adequately at all times. Use the higher speed setting for cutting wood. Do not attempt to turn the tool on when blade is against material to be cut. This could stall the motor. Place the front of shoe on the material to be cut and hold the jig saw shoe firmly against the wood while cutting. Don't force the tool; let the blade cut at its own speed. When the cut is complete, turn the jig saw off. Let blade come to a complete stop and then lay the saw aside before loosening the work.

### METAL CUTTING

In cutting thin gauge sheet metals, it is best to clamp wood to the bottom of sheet metal; this will insure a clean cut without the risk of vibration or tearing of metal. Always remember to use a finer blade for ferrous metals (for those that have a high iron content); and use a coarser blade for non-ferrous metals (those that do not have an iron content).

Use a high speed setting for cutting soft metals (aluminum, copper, brass, mild steel, galvanized pipe, conduit sheet metal, etc.). Use lower speed to cut plastics, tile, laminate, hard metals, and cast iron.

## MAINTENANCE

Your DEWALT power tool has been designed to operate over a long period of time with a minimum of maintenance. Continuous satisfactory operation depends upon proper tool care and regular cleaning.



**WARNING:** To reduce the risk of serious personal injury, depress the trigger lock button and disconnect battery pack before making any adjustments or removing/installing attachments or accessories. An accidental start-up can cause injury.

The charger and battery pack are not serviceable. There are no serviceable parts inside.



## Lubrication

### LUBRICATING THE GUIDE ROLLER (FIG. 6)

- Apply a drop of oil to the guide roller (I) at regular intervals to prevent jamming.



## Cleaning



**WARNING:** Blow dirt and dust out of the main housing with dry air as often as dirt is seen collecting in and around the air vents. Wear approved eye protection and approved dust mask when performing this procedure.



**WARNING:** Never use solvents or other harsh chemicals for cleaning the non-metallic parts of the tool. These chemicals may weaken the materials used in these parts. Use a cloth dampened only with water and mild soap. Never let any liquid get inside the tool; never immerse any part of the tool into a liquid.

### CHARGER CLEANING INSTRUCTIONS



**WARNING:** Shock hazard. Disconnect the charger from the AC outlet before cleaning. Dirt and grease may be removed from the exterior of the charger using a cloth or soft non-metallic brush.

*Do not use water or any cleaning solutions.*

## Optional Accessories



**WARNING:** *Since accessories, other than those offered by DEWALT, have not been tested with this product, use of such accessories with this tool could be hazardous. To reduce the risk of injury, only DEWALT, recommended accessories should be used with this product.*

Consult your dealer for further information on the appropriate accessories.

These include:

- DE3241 Parallel guide
- DE3242 Trammel bar
- 581281-00 Dust extraction adapter
- 581239-01 Dust extraction shroud
- 402140-00 Anti-splinter shoe insert
- 581268-00 Anti-scratch shoe cover

## Protecting the Environment



Separate collection. This product must not be disposed of with normal household waste.

Should you find one day that your DEWALT product needs replacement, or if it is of no further use to you, do not dispose of it with household waste. Make this product available for separate collection.



Separate collection of used products and packaging allows materials to be recycled and used again. Re-use of recycled materials helps prevent environmental pollution and reduces the demand for raw materials.

Local regulations may provide for separate collection of electrical products from the household, at municipal waste sites or by the retailer when you purchase a new product.

DEWALT provides a facility for the collection and recycling of DEWALT products once they have reached the end of their working life. To take advantage of this service please return your product to any authorised repair agent who will collect them on our behalf.

You can check the location of your nearest authorised repair agent by contacting your local

DEWALT office at the address indicated in this manual. Alternatively, a list of authorised DEWALT repair agents and full details of our after-sales service and contacts are available on the Internet at: **[www.2helpU.com](http://www.2helpU.com)**.



## Rechargeable Battery Pack

This long life battery pack must be recharged when it fails to produce sufficient power on jobs which were easily done before. At the end of its technical life, discard it with due care for our environment:

- Run the battery pack down completely, then remove it from the tool.
- Li-Ion cells are recyclable. Take them to your dealer or a local recycling station. The collected battery packs will be recycled or disposed of properly.

# 충전식 직소

## DCS331, DCS332

### 축하합니다!

DeWALT 공구를 선택해 주셔서 감사합니다. DeWALT는 오랜 경험과 제품 개발 및 혁신을 통해 전문 전동 공구 사용자들이 인정하는 기업으로 자리잡아 왔습니다.

### 기술 데이터

		DCS332	DCS331
전압	$V_{DC}$	14.4	18
배터리 유형		리튬 이온	리튬 이온
무부하 속도	분 <sup>-1</sup>	0-2500	0-3000
스트로크 길이	mm	26	26
절삭 깊이:			
- 목재	mm	135	135
- 알루미늄	mm	25	25
- 철재	mm	10	10
베벨각 조정 (l/r)	°	0-45	0-45
무게 (배터리 팩 제외)	kg	2.4	2.4

배터리 팩	DCB140	DCB141	DCB142	
배터리 유형	리튬 이온	리튬 이온	리튬 이온	
용량	$A_h$	3.0	1.5	4.0
무게	kg	0.53	0.30	0.54

배터리 팩	DCB180	DCB181	DCB182	
배터리 유형	리튬 이온	리튬 이온	리튬 이온	
전압	$V_{DC}$	18	18	18
용량	$A_h$	3.0	1.5	4.0
무게	kg	0.64	0.35	0.61

배터리 팩	DCB183	DCB184	
배터리 유형	리튬 이온	리튬 이온	
전압	$V_{DC}$	18	18
용량	$A_h$	2.0	5.0
무게	kg	0.4	0.62

충전기	DCB105		
전원 전압	$V_{AC}$	220V	
배터리 유형	리튬 이온		
대략적 충전 시간	분	30	55
		(1.5 Ah 배터리 팩)	(3.0 Ah 배터리 팩)
		70	
		(4.0 Ah 배터리 팩)	
무게	kg	0.49	

충전기	DCB115		
전원 전압	$V_{AC}$	220V	
배터리 유형	리튬 이온		
대략적 충전 시간	분	25	30
		(1.3 Ah 배터리 팩)	(1.5 Ah 배터리 팩)
		40	55
		(2.0 Ah 배터리 팩)	(3.0 Ah 배터리 팩)
		70	90
		(4.0 Ah 배터리 팩)	(5.0 Ah 배터리 팩)
무게	kg	0.5	

### 정의: 안전 지침

다음 정의는 각 경고 문구의 심각도를 설명합니다. 사용 설명서를 읽고 다음 기호들에 유의하십시오.



**위험:** 절박한 위험 상태를 나타내며, 방지하지 않으면 **사망 또는 심각한 부상을 초래합니다.**



**경고:** 잠재적 위험 상태를 나타내며, 방지하지 않으면 **사망 또는 심각한 부상을 초래할 수 있습니다.**



**주의:** 잠재적으로 위험한 상태를 나타내며, 방지하지 않으면 **경미하거나 가벼운 부상을 초래할 수 있습니다.**

**참고:** 신체 부상을 초래하지 않는 행위를 나타내며, 방지하지 않으면 **재산상의 손해가 발생할 수 있습니다.**



감전 위험을 나타냅니다.



화재 위험을 나타냅니다.



**경고:** 부상 위험을 줄이려면 사용 설명서를 숙지하십시오.

## 전동 공구에 관한 일반 안전 경고



**경고! 안전에 관한 모든 경고 및 지시 사항을 숙지하십시오.** 경고 및 지시 사항을 준수하지 않으면 감전, 화재 및/또는 심각한 부상을 초래할 수 있습니다.

**항후 참고할 수 있도록 모든 경고 및 지시 사항을 보관해두십시오.**

경고에서 사용된 "전동 공구"라는 용어는 주 공급 전원에 의해 전기가 공급되는 (유선) 전동 공구 또는 충전식 (무선) 전동 공구를 의미합니다.

### 1) 작업장 안전

- 작업 영역을 청결히 하고 조명을 밝게 유지하십시오.** 혼잡하거나 어두운 작업장에서는 사고가 발생하기 쉽습니다.
- 가연성 액체, 가스 또는 먼지 등 폭발 가능성이 있는 환경에서 전동 공구를 사용하지 마십시오.** 전동 공구에서 먼지나 가스를 발화시킬 수 있는 불꽃이 튀 수 있습니다.
- 전동 공구로 작업하는 동안에는 어린이와 주변 사람들이 작업 영역에 가까이 들어오지 못하도록 하십시오.** 주변이 산만해져 통제력을 잃을 수 있습니다.

### 2) 전기 안전

- 전동 공구의 플러그는 콘센트와 형식이 일치해야 합니다.** 플러그를 어떤 방식으로든 절대 개조하지 마십시오. 접지된 (지면 접지) 전동 공구에 어떤 어댑터 플러그도 사용하지 마십시오. 개조되지 않은 플러그 및 형식이 일치하는 콘센트를 사용하면 감전 위험이 줄어듭니다.
- 파이프, 라디에이터, 렌치 및 냉장고 등과 같이 접지된 표면에 신체가 접촉하지 않도록 하십시오.** 신체가 접지되어 있으면 감전 위험이 높아집니다.
- 전동 공구를 비 또는 습한 환경에 노출하지 않도록 주의하십시오.** 전동 공구에 물이 들어가면 감전 위험이 높아집니다.
- 코드를 함부로 다루지 마십시오.** 코드를 사용하여 전동 공구를 운반하거나 잡아당기거나 플러그를 뽑지 마십시오. 열, 오일, 날카로운 모서리 또는 움직이는 부품에서 멀리 떨어진 장소에 코드를 보관하십시오. 코드가 손상되거나 얽혀 있으면 감전 위험이 높아집니다.
- 전동 공구를 실외에서 사용할 때는 실외 사용에 적합한 연장 코드를 사용하십시오.** 실외 사용에 적합한 코드를 사용하면 감전 위험이 줄어듭니다.
- 어쩔 수 없이 습한 장소에서 전동 공구를 사용해야 하는 경우에는 누전 차단기 (RCD) 로 보호된 전원을 공급하십시오.** RCD를 사용하면 감전 위험이 줄어듭니다.

### 3) 신체 안전

- 전동 공구로 작업할 때는 방심하지 말고 작업에 주의하면서 상식에 따르십시오.**

**피곤한 상태이거나 약물, 술, 치료제를 복용한 상태에서는 전동 공구를 사용하지 마십시오.** 전동 공구를 사용하는 중에 주의력을 잃어 순간적으로 부상을 당할 수 있습니다.

- 신체 보호 장비를 착용하십시오.** 항상 보안경을 착용하십시오. 적합한 상황에서 방진 마스크, 미끄럼 방지 안전화, 안전모 또는 청력 보호 기구 등의 보호 장비를 사용하면 신체 부상 위험이 줄어듭니다.
- 의도하지 않은 장비 가동 방지, 전원 및/또는 배터리 팩에 연결한 상태로 공구를 선택 또는 운반할 때는 사전에 스위치가 꺼짐 위치에 있는지 반드시 확인하십시오.** 스위치가 켜짐 위치에 있는 상태에서 스위치에 손가락이 닿은 상태로 전동 공구를 운반하거나 전동 공구에 전원을 공급하면 사고가 발생합니다.
- 전동 공구를 켜기 전에 모든 조정 기 또는 렌치를 제거하십시오.** 전동 공구의 회전 부품에 렌치나 키가 부착되어 있으면 부상을 당할 수 있습니다.
- 무리하게 팔을 뻗지 마십시오.** 항상 올바른 자세로 서서 균형을 유지하십시오. 그러면 예기치 않은 상황에서 전동 공구에 대한 제어력이 향상됩니다.
- 적절한 작업복을 착용합니다.** 헐렁한 옷이나 장신구를 착용하지 마십시오. 머리카락, 옷 및 장갑이 움직이는 부품에 닿지 않도록 유의하십시오. 헐렁한 옷, 장신구 또는 긴 머리카락이 움직이는 부품에 걸 수 있습니다.
- 면 마스크 및 집진 시설 연결을 위한 장치 가 제공된 경우, 이들 장치가 연결되어 적절히 사용되고 있는지 반드시 확인하십시오.** 집진 장치를 사용하면 먼지와 관련된 위험을 줄일 수 있습니다.

### 4) 전동 공구 사용 및 관리

- 전동 공구에 무리한 힘을 가하지 마십시오.** 해당 용도에 맞는 올바른 전동 공구를 사용하십시오. 올바른 전동 공구를 사용해야 설계된 속도로 작업을 더욱 안전하고 정확하게 수행할 수 있습니다.
- 켜지지 않거나 꺼지지 않는 경우 전동 공구를 사용하지 마십시오.** 스위치로 제어되지 않는 전동 공구는 위험하며 수리해야 합니다.
- 전동 공구를 조정하거나 액세서리를 변경하거나 보관하기 전에 전원 및/또는 배터리 팩에서 플러그를 빼십시오.** 이러한 예방적 안전 조치를 따라야 전동 공구가 갑자기 작동할 위험이 줄어듭니다.
- 사용하지 않는 전동 공구는 어린이의 손이 닿지 않는 곳에 보관하고, 전동 공구나 본 지시 사항에 익숙하지 않은 사람이 전동 공구를 절대 사용하지 못하게 하십시오.** 전동 공구는 훈련을 받지 않은 사용자가 다루면 위험합니다.
- 전동 공구 유지 보수.** 움직이는 부품의 잘못된 정렬이나 바인딩, 부품 파손 및 기타 전동 공구의 작동에 영향을 미칠 수 있는

기타 모든 상태를 확인하십시오. 손상된 부분이 있는 경우 사용하기 전에 전동 공구를 수리하십시오. 많은 사고는 전동 공구를 제대로 유지 보수하지 않아 발생합니다.

- f) 절단 공구를 예리하고 깨끗한 상태로 유지하십시오. 절단지식 가장자리를 예리하게 잘 유지하면 절단기를 사용할 때 바인딩이 적고 다루기가 용이합니다.
- g) 작업 환경과 수행할 작업을 고려하여, 본 지시 사항에 따라 전동 공구, 액세서리 및 톨 비트 등을 사용하십시오. 본 사용 설명서의 내용과 다른 용도로 전동 공구를 사용하면 위험한 상황이 발생할 수 있습니다.

5) 배터리 공구 사용 및 관리

- a) 다시 충전할 때는 제조업체에서 지정한 충전기만 사용하십시오. 한 배터리 팩 유형에 적합한 충전기를 다른 배터리 팩과 함께 사용할 경우 화재의 위험이 있습니다.
- b) 전동 공구를 사용할 때는 특수 설계된 배터리 팩을 함께 사용하십시오. 다른 배터리 팩을 사용하면 부상을 입거나 화재의 위험이 있습니다.
- c) 배터리 팩을 사용하지 않을 때에는 클립, 동전, 키, 못, 나사 등의 금속 물체나, 단자 간에 연결할 수 있는 작은 금속 물체가 닿지 않도록 멀리 두십시오. 배터리 단자가 단락되면 화상을 입거나 화재의 위험이 있습니다.
- d) 배터리를 과다 사용하면 액체가 배터리에서 흘러 나올 수 있으므로 접촉을 피하십시오. 실수로 접촉한 경우에는 물로 씻으십시오. 액체가 눈에 들어가면 치료를 받으십시오. 배터리에서 나온 액체는 통증을 유발하거나 화상을 입힐 수 있습니다.

6) 정비

- a) 자격을 갖춘 기술자가 동일 교체 부품을 사용하여 정비 작업을 수행해야 합니다. 그래야 전동 공구의 안전이 보장됩니다.

직쏘에 대한 추가 안전 규칙

- 절삭 액세서리가 숨겨진 배선에 접촉할 수 있는 작업을 수행할 때는 절연된 손잡이 부분을 이용해 전동 공구를 쥐십시오. "전류가 흐르는" 전선에 접촉된 절삭 액세서리는 전동 공구의 노출된 금속 부품을 "전류가 흐르는" 상태로 만들어 작업자를 감전시킬 수 있습니다.
- 클램프 또는 다른 적절한 방식을 이용하여 안정된 작업대에 작업 공구들을 고정 및 지지하십시오. 작업물을 손으로 잡거나 몸으로 지탱하는 행동은 불안정하여 제어력을 잃을 수 있습니다.
- 절단면 (절단으로 인해 생긴 흠) 에서 톨날을 거두기 전에 모터를 완전히 정지시키십시오. 톨날이 움직일 경우 작업물과 부딪혀 날이 부러지거나 작업물이 손상되거나 통제력을 잃어

신체 부상을 입을 수 있습니다.

- 핸들은 건조하고 깨끗한 상태를 유지하고 오일/기름이 묻지 않도록 하십시오. 그래야 공구를 보다 잘 제어할 수 있습니다.
- 톨날은 예리한 상태로 유지하십시오. 무딘 톨날은 톨에 압력을 가할 때 방향이 갑자기 바뀌거나 실속할 수 있습니다.
- 공구를 자주 청소하십시오. 특히 거친 작업을 한 뒤에는 더 자주 하십시오. 금속 입자가 포함되어 있는 먼지와 티끌이 실내에 쌓여 감전을 일으키는 경우가 종종 있습니다.
- 본 공구를 장시간 사용하지 마십시오. 본 공구가 작동할 때 생기는 진동으로 손가락, 손 및 팔이 영구적인 부상을 입을 수 있습니다. 장갑을 착용해서 충격을 흡수하고, 자주 휴식을 취하고, 일일 사용 시간을 제한해야 합니다.

기타 발생 가능한 위험

- 관련된 안전 규정을 준수하고 안전 장치를 사용한다 해도 특정한 위험은 피할 수 없습니다. 이러한 위험은 다음과 같습니다:
  - 청력 손상.
  - 움직이는 톨날의 덮어 있지 않는 부품으로 인한 사고의 위험.
  - 톨날 교체 시의 부상 위험.
  - 절단 시 재료에서 발생하는 먼지를 흡입하면 인체에 해로울 수 있습니다.

공구에 표시된 마크

공구에는 다음과 같은 그림이 있습니다:



사용 전에 사용 설명서의 내용을 숙지하십시오.

날짜 코드 위치

날짜 코드에는 제조년도가 포함되어 이 제조년도는 공구와 배터리의 탑재 이음부가 되는 케이스에 인쇄되어 있습니다.

예:

2012 XX XX

제조년도

모든 배터리 충전기에 대한 중요한 안전 지침

본 지침을 잘 보관해 두십시오. 본 사용 설명서에는 DCB105 및 DCB115 배터리 충전기에 대한 중요한 안전 및 작업 지침이 포함되어 있습니다.

- 충전기를 사용하기 전에 충전기, 배터리 팩, 그리고 배터리 팩 관련 제품에 대한 지침과 주의 표시를 숙지하십시오.



**경고:** 감전 위험. 충전기 내부에 액체가 들어가지 않도록 하십시오. 감전될 수 있습니다.



**주의:** 화상 위험. 신체 부상의 위험을 줄이려면 DEWALT 충전용 배터리 팩으로만 충전하십시오. 다른 배터리 팩 종류는 과열되어 터질 수 있으며, 부상과 재산 상의 손해를 입을 수 있습니다.



**주의:** 어린이가 본 제품을 가지고 놀지 못하도록 항상 주시해야 합니다.

**참고:** 특정 조건에서, 충전기가 전원 공급기에 연결되어 있으면 충전기 내부에 노출된 충전 접점이 이물질로 인해 단락될 수 있습니다. 스틸 울 (steel wool), 알루미늄 호일, 금속 입자 축적물 등의 전도성 이물질은 충전기 캐비티에 닿지 않게 해야 합니다. 캐비티 안에 배터리 팩이 없을 경우 항상 배터리 전원 공급기에서 충전기의 플러그를 뽑으십시오. 충전기를 청소할 때는 플러그를 뽑아야 합니다.

- 본 사용 설명서에 명시된 충전기 외의 다른 충전기로 배터리 팩을 충전하지 마십시오. 본 충전기와 배터리 팩은 함께 사용하도록 특수 설계되었습니다.
- 이러한 충전기는 DEWALT 충전용 배터리 충전 이외의 용도로는 사용할 수 없습니다. 다른 용도로 사용하면 화재, 감전 또는 감전사의 위험이 있습니다.
- 충전기가 비나 눈을 맞지 않도록 하십시오.
- 충전기를 분리할 경우 코드가 아니라 플러그를 뽑으십시오. 그래야만 전기 플러그 및 코드 손상의 위험이 줄어듭니다.
- 코드가 밟히거나 걸리거나 기타 원인에 의해 손상되거나 압박을 받지 않도록 유의하십시오.
- 불가피한 경우가 아니면 연장 코드를 사용하지 마십시오. 연장 코드를 잘못 사용하면 화재, 감전 또는 감전사의 위험이 있습니다.
- 충전기를 실외에서 사용할 때는 건조한 장소에서 실외 사용에 적합한 연장 코드를 사용하십시오. 실외 사용에 적합한 코드를 사용하면 감전 위험이 줄어듭니다.
- 충전기의 환기구를 막지 마십시오. 환기 구멍은 충전기 상단 및 측면에 있습니다. 충전기는 열원에 가까이 두지 마십시오.
- 코드나 플러그가 손상된 충전기를 작동시키지 마십시오 - 즉시 교체하십시오.
- 심한 충격을 받았거나 떨어뜨렸거나 기타의 방식으로 손상된 경우에는 충전기를 작동시키지 마십시오. 공인 서비스 센터로 가져가십시오.
- 충전기를 분해하지 마십시오. 서비스나 수리가 필요한 경우에는 공인 서비스 센터로 가져가십시오. 잘못 재조립하면 화재, 감전 또는

감전사의 위험이 있습니다.

- 전원 코드가 손상된 경우 사고 방지를 위해 제조업체, 서비스 대리점 또는 이에 준하는 자격을 가진 수리 기술자를 통해 즉시 교체하십시오.
- 청소하려면 먼저 충전기를 콘센트에서 분리하십시오. 그래야 감전 위험이 줄어듭니다. 배터리 팩을 제거하는 것만으로 이러한 위험이 줄어들지는 않습니다.
- 절대로 충전기 두 개를 함께 연결하지 마십시오.
- 충전기는 가정용 표준 전력 (220~240 V) 에서 작동하도록 설계되어 있습니다. 다른 전압에서는 사용하지 마십시오. 차량용 충전기는 제외됩니다.

본 지침을 잘 보관해 두십시오.

## 충전기

DCB105 및 DCB115 충전기는 10.8 V, 14.4 V 및 18 V 리튬 이온 (DCB121, DCB123, DCB140, DCB141, DCB142, DCB180, DCB181 DCB182, DCB183 및 DCB184) 배터리 팩을 사용할 수 있습니다.

이러한 충전기는 어떠한 조정 작업이 필요하지 않으며 최대한 작동하기 쉽게 설계되었습니다.

## 충전 절차 (그림 3)

1. 배터리 팩을 넣기 전에 충전기를 적절한 220~240 V 콘센트에 꽂습니다.
2. 배터리 팩 (b) 을 충전기에 끼우고, 팩이 충전기에 완전히 들어갔는지 확인하십시오. 빨간색 (충전 중) 표시등이 계속 깜박이면서 충전 프로세스가 시작되었음을 알립니다.
3. 충전이 완료되면 빨간색 불이 계속 켜져 있습니다. 팩이 완전히 충전되면 바로 사용하거나 충전기에 그대로 둡니다.

**참고:** 리튬이온 배터리의 성능과 수명을 극대화하려면 처음 사용하기 전에 배터리 팩을 완전히 충전시키십시오.

## 충전 프로세스

배터리 팩의 충전 상태는 아래 표를 참조하십시오.

충전 상태	
	충전 중 — — — —
	완전 충전됨 _____
	냉/은 팩 지연 —•—•—•—•
	배터리 팩이나 충전기 고장 ••••••••••
	전선 문제 발생 ••••••••••

이 충전기는 손상된 배터리 팩은 충전하지 못합니다. 충전기는 불이 켜지지 않거나 문제가 있는 팩을

표시하거나 충전기의 깜빡이는 패턴으로 배터리 고장을 나타냅니다.

**참고:** 이는 충전기 고장을 의미할 수도 있습니다.

충전기에 문제가 표시되는 경우 충전기와 배터리 팩을 공인 서비스 센터로 가져 가서 테스트를 받아 보십시오.

## 냉/온 팩 지연

충전기에서 너무 뜨겁거나 차가운 배터리가 감지되면, 냉/온 팩 지연이 자동으로 시작되어 배터리가 적절한 온도가 될 때까지 충전이 중단됩니다. 이 과정이 끝나면 충전기가 자동으로 팩 충전 모드로 전환됩니다. 이 기능은 배터리 수명을 최대한으로 보장하기 위한 것입니다.

XR 리튬이온 배터리는 배터리에 과부하가 걸리거나 과열 또는 완전 방전되는 것을 방지하는 전자 보호 시스템으로 설계되었습니다.

이 공구는 전자 보호 시스템이 작동하면 자동으로 꺼집니다. 이러한 경우 리튬 이온 배터리가 완전히 충전될 때까지 충전기에 리튬 이온 배터리를 넣으십시오.

차가운 배터리가 충전되는 속도는 따뜻한 배터리 팩의 절반 수준입니다. 충전 사이클 전체에 걸쳐 배터리 팩은 이렇게 느린 속도로 충전되며 배터리가 따뜻해지더라도 최대 충전 속도로 복원되지 않습니다.

## 모든 배터리 팩에 대한 중요한 안전 지침

배터리 팩 교체를 하기 위해 주문할 때는 카탈로그 번호와 전압을 반드시 확인하고 표기해야 합니다.

배터리 팩은 카톤에서 꺼낼 때 완전히 충전된 상태가 아닙니다. 배터리 팩과 충전기를 사용하기 전에 아래 안전 지침을 숙독한 후 요약되어 있는 충전 절차를 따르십시오.

### 모든 지시 사항을 읽으십시오.

- **가연성 액체, 가스 또는 먼지 등으로 인한 폭발할 가능성이 있는 환경에서 배터리 팩을 충전하거나 사용하지 마십시오.** 배터리 팩을 끼우거나 충전기에서 분리할 때 먼지나 가스에 불이 붙을 수 있습니다.
- **충전기에 배터리 팩을 너무 세게 밀어 넣지 마십시오.** 어떤 형태로든 호환되지 않는 충전기에 사용하기 위해 배터리 팩을 개조하지 마십시오. 배터리 팩이 파열되어 심각한 부상을 유발할 수 있습니다.
- **지정된 DEWALT 충전기에만 배터리 팩을 충전하십시오.**
- **물이나 기타 액체가 튀어 묻거나 액체에 빠지지 않도록 하십시오.**
- **온도가 40 °C (105 °F) 초과될 수 있는 곳 (여름철 허름한 창고 또는 금속 건물 등) 에**

## 공구와 배터리 팩을 보관하거나 사용하지 마십시오.

- **최상의 결과를 위해 사용하기 전에 배터리 팩이 완전히 충전되었는지 확인하십시오.**



**경고:** 어떤 이유로든 배터리 팩을 절대 분해하지 마십시오. 배터리 팩 케이스가 깨지거나 손상되면 충전기에 넣지 마십시오. 배터리 팩을 문개거나 떨어뜨리거나 손상시키지 마십시오. 강한 충격을 받았거나, 떨어뜨렸거나, 차에 치였거나 기타의 원인으로 어떤 방식으로든 손상된 (예: 못이 박히거나 망치로 맞았거나 밟힘) 배터리 팩이나 충전기는 사용하지 마십시오. 감전 또는 감전사의 위험이 있습니다. 손상된 배터리 팩은 재활용을 위해 서비스 센터에 반환해야 합니다.



**주의:** 사용하지 않는 공구는 걸려 넘어지거나 떨어질 위험이 없는 안정된 표면에 놓여 두십시오. 배터리 팩이 큰 일부 공구들은 배터리 팩 위에 바로 서 있지만 쉽게 넘어질 수 있습니다.

## 리튬 이온 (Li-Ion) 에 대한 추가 안전 지침

- **배터리 팩이 심하게 손상되거나 완전히 낡았다든 절대 소각하지 마십시오.** 배터리 팩은 불 속에서 폭발할 수 있습니다. 리튬이온 배터리 팩은 연소되면서 독성 연기와 물질을 발생시킵니다.
- **배터리 내용물이 피부에 닿으면 즉시 중성 세척제로 해당 부위를 씻으십시오.** 배터리액이 눈에 들어갔을 경우, 15분 정도 또는 통증이 가실 때까지 눈을 뜨고 물로 씻어냅니다. 치료가 필요한 경우를 위해, 배터리 전해질은 액체 유기 탄산염과 리튬염의 혼합물로 구성되어 있음을 알아 두십시오.
- **열린 배터리 셀의 내용물은 호흡기 질환을 일으킬 수 있습니다.** 신선한 공기를 흡입하십시오. 증상이 계속되면 치료를 받으십시오.



**경고:** 화상 위험. 배터리액은 불꽃이나 화염에 노출되면 연소될 수 있습니다.

## 배터리 팩

### 배터리 유형

DCS332 는 14.4 V 배터리 팩으로 작동됩니다.

DCS331 는 18 V 배터리 팩으로 작동됩니다.

DCB140, DCB141, DCB142, DCB180, DCB181, DCB182, DCB183 또는 DCB184 배터리 팩을 사용할 수 있습니다. 자세한 정보는 **기술 데이터**를 참조하십시오.

## 보관 권장 사항

1. 보관 장소로는 직사광선을 받지 않고 지나치게 덥거나 춥지 않은 시원하고 건조한 곳이 가장 좋습니다. 최적의 배터리 성능과 수명을 위해, 사용하지 않을 때에는 배터리 팩을 실온에서 보관하십시오.
2. 장기간 보관하는 경우, 최적의 결과를 위해 완전히 충전된 배터리 팩을 충전기에서 분리하여 차갑고, 건조한 장소에 보관하는 것이 좋습니다.

**참고:** 배터리 팩은 완전히 방전된 상태로 보관해서는 안됩니다. 사용 전에 배터리 팩을 재충전해야 합니다.

## 충전기 및 배터리 팩에 부착된 레이블

본 설명서에 사용된 그림 외에도 충전기 및 배터리 팩에 부착된 레이블에는 다음과 같은 그림이 표시되어 있습니다:



사용 전에 사용 설명서의 내용을 숙지하십시오.



충전 중.



완전 충전됨.



냉/온 팩 지연.



배터리 팩이나 충전기 고장.



전선 문제 발생.



전도성 있는 물체로 시험하지 마십시오.



손상된 배터리 팩을 충전하지 마십시오.



DEWALT 배터리 팩만 사용하십시오. 다른 배터리는 폭발로 인한 신체 부상과 손상을 초래할 수 있습니다.



물에 닿지 않도록 하십시오.



손상된 코드는 즉시 교체하십시오.



온도가 4°C ~ 40°C 사이일 때에만 충전하십시오.



환경 보호 차원에서 배터리 팩을 폐기하십시오.



배터리 팩을 소각하지 마십시오.



Li-Ion 리튬이온 배터리 팩을 충전하십시오.



충전 시간은 **기술 데이터**를 참조하십시오.



실내 전용.

## 포장 내용물

- 1 충전식 직쏘
- 1 스크래치 방지용 슈 커버
- 1 먼지 포트
- 2 배터리 (베어틀에 경우 제외)
- 1 충전기 (베어틀에 경우 제외)
- 1 사용 설명서

**참고:** 배터리 팩, 충전기 및 공구박스는 N 모델에 포함되지 않습니다.

- 운반 중에 발생할 수 있는 공구, 부품 또는 액세서리의 손상 여부를 확인하십시오.
- 작동 전에 시간을 내어 본 사용 설명서를 읽고 숙지하십시오.

## 설명 (그림 1, 2, 6, 10, 11)



**경고:** 전동 공구 또는 전동 공구의 어떤 부품도 절대 개조하지 마십시오. 제품이 파손되거나 신체 부상을 당할 수도 있습니다.

- a. 배터리 해제 버튼
- b. 배터리 팩
- c. 트리거 스위치
- d. 트리거 잠금 버튼
- e. 톱날 해제 레버
- f. 베벨 레버
- g. 슈
- h. 작업 선택 레버 (팬들럼 레버)
- i. 먼지 제거기 컨트롤
- j. 스크래치 방지용 슈 커버
- k. 날 장착 클램프
- l. 가이드 롤러
- m. 리어 탭
- n. 쪼개짐 방지 인서트



- p. 주 핸들  
q. 상단 핸들

## 용도

DCS332 및 DCS331 직쏘는 다양한 작업 현장 (예, 건설 현장) 에서 목재, 강철, 알루미늄, 플라스틱 및 도자기류의 전문적인 절단용으로 고안되었습니다. 습한 환경이나 가연성 액체 또는 가스가 있는 장소에서 사용하지 **마십시오**.

본 헤비듀티 직쏘 전문가용 전동 공구입니다. 어린이가 이 공구를 만지지 **않도록 하십시오**. 경험이 없는 작업자가 이 공구를 사용할 때는 감독자의 지도가 필요합니다.

- 본 제품은 안전 책임을 맡고 있는 사람이 감독을 하고 있지 않는 한 경험, 지식 또는 기술이 부족하고 신체적, 감각적 또는 정신적 능력이 미약한 사람 (어린이 포함) 이 사용하도록 고안된 것이 아닙니다. 이 제품과 함께 어린이만 혼자 두어서는 안됩니다.

## 전기 안전

전기 모터는 한 가지 전압에만 맞추어 설계되었습니다. 배터리 팩 전압이 명판에 기재된 전압과 일치하는지 항상 확인하십시오. 또한 충전기의 전압이 주전원의 전압과도 일치하는지 확인하십시오.



DEWALT 충전기는 IEC 60335에 따라 이중 절연되어 있습니다. 따라서 접지선이 필요하지 않습니다.

전원 코드가 손상된 경우에는 DEWALT 서비스 센터를 통해 특수 제작된 코드로 교체해야만 합니다.

## 연장 케이블 이용

연장 코드는 가끔씩 사용하지 마십시오. 사용 중인 전원공급기 정격전원에 맞는 승인된 연장 코드를 사용하십시오 (기술 데이터 참조). 최대 도체 크기는 1 mm<sup>2</sup>, 최대 길이는 30 m입니다.

케이블 릴을 사용할 때는 항상 케이블을 완전히 푸십시오.

## 조립 및 조정



**경고: 심각한 신체 부상의 위험을 줄이려면 공구를 조정하거나 부착물 또는 액세서리를 제거/설치하기 전에 공구를 끄고 배터리 팩을 분리하십시오.** 공구가 갑자기 작동하여 부상을 당할 수 있습니다.



**경고: DEWALT 배터리 팩과 충전기만 사용하십시오.**

## 배터리 팩 삽입 및 공구에서 배터리 팩 분리 (그림 4)

**참고:** 최상의 결과를 위해 배터리 팩이 완전히 충전되었는지 확인하십시오. 배터리가 완전히 방전되면 경고 없이 표시등이 멈춥니다.

### 배터리 팩을 공구 핸들에 설치하려면

1. 공구 핸들 안쪽의 레일에 배터리 팩 (b) 을 맞춥니다 (그림 4) .
2. 공구에 배터리 팩이 견고하게 장착될 때까지 핸들에 밀어 넣고 분리되지 않는지 확인하십시오.

### 공구에서 배터리 팩을 분리하려면

1. 배터리 해제 버튼 (a) 을 누르고 배터리 팩을 공구 핸들에서 완전히 빼냅니다.
2. 본 사용 설명서의 충전기 섹션에 설명된 대로 배터리 팩을 충전기에 삽입합니다.

### 잔량표시계 배터리 팩 (그림 4)

일부 DEWALT 배터리 팩에는 배터리 팩의 남아 있는 충전 레벨을 표시하는 세 개의 녹색 LED 등으로 구성된 연료계가 포함되어 있습니다.

배터리 잔량표시계를 작동시키려면, 배터리 잔량표시계 버튼 (r) 을 누릅니다. 녹색 LED 표시등 3개가 조합되어 켜짐으로써 충전 잔량 수준을 나타냅니다. 배터리 잔량이 사용 가능한 한계치 미만이면 배터리 잔량표시계가 켜지지 않으며 배터리를 재충전해야 합니다.

**참고:** 연료계는 배터리 팩에 남아 있는 충전 레벨을 나타내는 것일 뿐입니다. 공구의 성능을 나타내는 것이 아니며 제품 구성품, 온도 및 최종 사용자의 용도에 따라 변경될 수 있습니다.

## 톱날 설치 및 제거 (그림 6)

### 톱날을 설치하려면

**참고:** 이 직쏘는 T-shank 직쏘 톱날만 사용합니다.

**참고:** DT2074 수평 절단 날은 DEWALT DCS331, DCS332, DW331 및 DC330 직쏘와만 사용하기 위한 것입니다.

**참고:** 수평 절단 날 (DT2074) 을 설치할 때, 쏘개짐 방지 인서트를 제거해야 하고 슈는 0° 포지티브 스태 위치에 있어야 합니다.

1. 그림 6과 같이 키리스 날 릴리즈 레버 (e) 를 들어 올립니다.
2. 날의 뒤쪽을 가이드 롤러 (l) 의 홈으로 가이드하면서 T-shank 날을 클램프 메커니즘 (k) 에 끼웁니다.
3. 그림 6과 같이 T-shank는 완전히 클램프 메커니즘 안쪽에 완전히 있어야 합니다.
4. 키리스 날 릴리즈 레버를 놓습니다.

### 날을 분리하려면



**주의:** 사용한 날은 만지지 마십시오. 뜨거울 수 있습니다. 부상을 당할 수 있습니다.

1. 키리스 날 릴리스 레버 (e) 를 들어 올립니다.
2. 약간 흔들면 날이 떨어져 나갑니다.

## 슈 베벨링 (그림 7)

슈의 잠금을 해제하려면, 키리스 베벨 레버 (f) 를 측면으로 당깁니다.

슈를 잡으려면, 키리스 베벨 레버를 직소 본체 아래에서 뒤쪽으로 밀니다.

### 슈를 베벨하려면

1. 슈의 잠금을 풉니다.
2. 슈 (g) 를 앞쪽으로 밀어서 0° 포지티브 스태 위치에서 해제합니다.
3. 슈를 왼쪽 또는 오른쪽으로 베벨링할 수 있고 15°, 30° 및 45° 에 멈춤쇠가 있습니다. 슈는 0° 와 45° 사이의 모든 각도에서 수동으로 정지시킬 수 있습니다.
4. 원하는 베벨 각도에 도달하면, 슈를 제자리에 잠급니다.

### 슈를 다시 0°로 설정하려면

1. 슈의 잠금을 풉니다.
2. 슈를 다시 0°로 돌립니다.
3. 슈를 다시 0° 포지티브 정지 위치로 밀어 넣습니다.
4. 슈를 잠급니다.

## 절단 작업 – 원형 또는 선형 (그림 8)

이 직소는 원형 작업 3가지, 선형 작업 1가지의 4가지 절삭 작업이 가능합니다. 원형 작업에서는 톨날이 좀 더 역동적으로 움직이며 목재나 플라스틱과 같이 부드러운 자재의 절단용으로 설계되었습니다. 원형 작업에서는 좀 더 빠른 절단 기능을 제공하지만 작업을 절단면은 상대적으로 거친 편입니다. 원형 작업에서는 절삭 중에 톨날이 위, 아래로 움직임과 동시에 앞으로도 움직입니다.

**참고:** 금속 또는 단단한 목재는 원형 작업으로는 절단하지 말아야 합니다.

**절삭 작업을 조정하려면,** 다음과 같이 네 개의 절삭 위치 사이에서 작업 선택 레버 (h) 를 옮깁니다. 0, 1, 2, 그리고 3 중 한 곳으로 옮깁니다. 위치 0은 선형 절삭입니다. 1, 2 및 3은 원형 절삭 위치입니다. 레버를 1에서 3쪽으로 옮기면 절삭의 역동성이 증가하며 3으로 설정할 때 가장 역동적인 절삭 작업이 가능합니다.

## 먼지 제거기 (그림 9)

먼지 제거기는 날에서 만들어진 절삭 영역의 파편을 치울 수 있도록 해줍니다.

**참고:** 금속을 절삭할 때, 절삭체가 날에서 날아가지 않도록 먼지 제거기를 끄십시오.

먼지 제거기를 켜려면, 먼지 제거기 컨트롤을 상단 쪽으로 쭉 밀니다

먼지 제거기를 끄려면, 먼지 제거기 컨트롤을 하단 쪽으로 쭉 밀니다.

## 스크래치 방지용 슈 커버 (그림 10)

래미네이트, 베니어판 또는 도장면 같이 쉽게 긁힐 수 있는 것들을 절삭할 때는 스크래치 방지용 슈 커버 (j) 를 사용해야 합니다.

스크래치 방지용 슈 커버 (j) 를 장착하려면, 알루미늄 슈 (g) 의 앞쪽을 스크래치 방지용 슈 커버의 앞쪽에 놓고 직소를 내립니다. 스크래치 방지용 슈 커버는 알루미늄 슈의 뒤쪽에 꼭 들어 맞습니다.

스크래치 방지용 슈 커버를 분리하려면, 아래쪽에서 스크래치 방지용 슈 커버를 꼭 잡고, 두 개의 리어 탭 (m) 을 잡고 스크래치 방지용 슈 커버를 분리합니다.

## 쪼개짐 방지 인서트 (그림 11)

**참고:** 수평 절단 날과 쪼개짐 방지 인서트를 함께 사용하지 마십시오.

베니어판, 합판 또는 도장면 등 마감면을 절삭할 때 특히 뜰감을 최소화하려면 쪼개짐 방지 인서트 (n) 를 사용해야 합니다. 쪼개짐 방지 인서트를 스크래치 방지용 슈 커버 (j) 에 설치해야 합니다. 스크래치 방지용 슈 커버를 사용하지 않는 경우, 쪼개짐 방지 인서트를 슈 (g) 에 끼웁니다.

## 작동을 하기 전에

- 배터리 팩이 (완전히) 충전되었는지 확인하십시오.

## 조작



**경고: 심각한 신체 부상의 위험을 줄이려면 공구를 조정하거나 부착물 또는 액세서리를 제거/설치하기 전에 공구를 끄고 배터리 팩을 분리하십시오.** 공구가 갑자기 작동하여 부상을 당할 수 있습니다.



**경고: 항상 적절한 힘력 보호 장구를 착용하십시오.** 특정 상황 하에서 제품 사용 기간과 제품에서 발생하는 소음은 청력 손상에 영향을 줄 수 있습니다.

## 사용 지침



### 경고:

- 안전 지시 사항과 해당 규정을 항상 준수하십시오.
- 작업물이 잘 고정되었는지 확인하십시오. 날을 손상시킬 수 있는 못, 나사 및 기타 패스너를 치우십시오.
- 작업물 아래의 날에 충분한 공간이 있는지 확인하십시오. 최대 절단 깊이보다 더 두꺼운 재료를 절단하지 마십시오.

- 날카로운 톱날만 사용하십시오. 손상되거나 구부러진 톱날은 즉시 제거해야 합니다.
- 톱날이 없는 상태에서 공구를 작동하지 마십시오.
- 최적의 결과를 위해 작업물 위에서 공구를 고르고 일정하게 이동해야 합니다. 톱날에 가로 압력을 가하지 마십시오. 작업물에서 슈를 평평하게 유지하십시오. 곡선, 원형 또는 기타 둥근 모양을 톱질할 때는, 공구를 앞쪽으로 살짝 밀니다.
- 작업물에서 톱날을 제거하기 전에 공구가 완전히 정지할 때까지 기다리십시오. 톱질한 후 날이 매우 뜨거울 수 있습니다. 만지지 마십시오.

## 올바른 손의 위치 (그림 1, 14)



**경고:** 심각한 신체 부상의 위험을 줄이려면 **항상** 그림과 같이 올바른 손 위치하십시오.



**경고:** 심각한 신체 부상의 위험을 줄이려면, **항상** 급작스러운 반응을 예상하고 확실하게 잡으십시오.

손 위치는 한 손을 기본 핸들 (p) 위에 놓고 다른 손을 상부 핸들 (q) 위에 놓는 것이 바람직합니다.

## 트리거 스위치 (그림 1)

직소를 시작하려면, 트리거 스위치 (c) 를 째 쥐십시오.

직소 속도를 줄여서 정지하려면, 트리거 스위치를 놓습니다.

### 가변 속도 (그림 5)

트리거 스위치를 누르고 있으면, 분당 스트로크가 계속해서 증가하지만 공구의 최대 속도를 초과하지는 않습니다. 트리거를 놓으면 날의 분당 스트로크가 감소합니다.

실수로 시작되는 가능성을 없애기 위해 공구를 사용하지 않을 때는 트리거 잠금 버튼 (d) 이 눌러 있어야 합니다.

## 절단



**경고:** 슈를 분리한 상태에서 직소를 작동해서는 안됩니다. 그렇지 않으면 부상을 당할 수 있습니다.

### 포켓 절단 (그림 12)

포켓 절단은 내부를 절단하는 간단한 방법입니다. 먼저 리드 또는 시험 구멍을 내지 않고 패널 또는 판자에 직접 톱을 끼워 넣을 수 있습니다. 포켓 절단에서, 절단할 표면을 측정하고 연필로 확실하게 표시합니다. 그 다음 슈의 앞쪽 끝이 작업면에 단단히 안착되고 날이 전속력으로 작업을 원활히 할 때까지 톱을 앞쪽으로 기울입니다. 공구를 켜고 최대 속도에 도달하도록 합니다. 톱을 째 쥐고 날이 가능한 최대 깊이까지 도달할 때까지 공구의 뒤쪽 가장자리를 천천히 내립니다. 슈를 목재에 대해 평평하게 잡고 절단을 시작합니다. 날이 계속해서

움직이고 있을 때는 날을 빼지 마십시오. 날이 완전히 정지되어야 합니다.

### 수평 절단 (그림 13)

수평 절단은 오일 방지판 등 벽이나 장애물까지 자투리를 마무리할 때 필요합니다. 수평 절단을 완수하는 가장 쉬운 방법 중 하나는 수평 절단 날 (DT2074) 을 사용하는 것입니다. 수평 절단 날은 직소 슈의 앞쪽 가장자리까지 오른쪽 절단을 위해 필요한 범위를 제공합니다. 수평 절단 날을 설치하고 사용하기 전에 뜨개집 방지 인서트를 제거하고 슈를 0° 포지티브 스탭 위치로 돌려 놓습니다. 최상의 절단 품질을 위해, 수평 절단 날은 0 또는 1의 원형 위치에서 사용해야 합니다. 수평 절단 날이 슈가 작업 표면에 의해 지지되지 않도록 하기 때문에 절단을 시작하기 전에 수평 절단 날을 사용해서는 안됩니다. 아래에 설명한 대로 목재 절단 관례를 따르십시오.

### 목재 절단

항상 작업물을 적절히 지지하십시오. 목재 절단을 위해 더 높은 속도 설정을 사용하십시오. 날이 절단할 재료에 맞대어 있을 때는 공구를 켜려고 시도하지 마십시오. 모터 시동을 꺼드릴 수 있습니다. 절단할 재료 위에 슈의 앞쪽을 놓고 절단하는 동안 목재 쪽으로 직소 슈를 단단히 잡으십시오. 공구에 힘을 가하지 말고, 톱날이 자체 속도로 절단하도록 하십시오. 절단이 완료되면, 직소를 끄십시오. 작업을 늦추기 전에 날이 완전히 정지하도록 한 다음 톱을 한 쪽으로 쳐서 놓습니다.

### 금속 절삭

얇은 금속판 절삭 시에는 판금 하단에 목재 조각을 가공물 뒷면에 고정하는 것이 좋습니다. 이렇게 하면 금속의 찌김이나 진동의 위험 없이 깨끗한 절삭을 할 수 있습니다. 항상 철금속 (철분 함량이 높음) 용로 톱날이 아주 작은 톱날을 사용하고, 비철금속 (철분이 없음) 용으로는 톱날이 좀 더 굵은 톱날을 사용하는 것을 잊지 마십시오. 연질 금속 (알루미늄, 구리, 황동, 연강, 아연도관, 도관 판금 등) 절삭 시에는 고속 설정을 사용하십시오. 플라스틱, 타일, 라미네이트, 경금속 및 못을 절삭할 때는 더 낮은 속도를 사용하십시오.

## 유지 보수

DEWALT 전동 공구는 최소한의 유지 보수로 장기간에 걸쳐 작업이 가능하도록 설계되어 있습니다. 만족스러운 연속 작동은 적절한 공구 관리와 정기적인 청소에 따라 그 성능이 달라질 수 있습니다.



**경고:** 심각한 신체 부상의 위험을 줄이려면 공구를 조정하거나 부착물 또는 액세서리를 제거/설치하기 전에 공구를 끄고 배터리를 분리하십시오. 공구가 갑자기 작동하여 부상을 당할 수 있습니다.

충전기 및 배터리 팩은 수리할 수 없습니다. 내부에 수리할 수 있는 부품이 없습니다.



## 운할방법

### 가이드 롤러 운할 (그림 6)

- 걸림을 방지하려면 정기적으로 가이드 롤러 (I) 에 오일 한 방울을 바르십시오.



## 청소



**경고:** 통풍구 속이나 주변에 먼지가 쌓여있는 것이 보이면 가능한 한 자주 건조한 공기를 이용하여 몸체에서 먼지를 불어내십시오. 이 절차를 수행할 때에는 승인된 눈 보호 장구 및 승인된 방진 마스크를 착용하십시오.



**경고:** 공구의 금속 이외 부품을 청소할 때는 용제 등의 강력한 화학약품을 절대 사용하지 마십시오. 그렇지 않으면 이러한 부분에 사용된 재료가 약해질 수 있습니다. 형겅에 물과 순한 비누를 적셔 닦아주십시오. 공구 내부에 액체를 넣거나 공구 부품을 액체에 담그는 행동은 절대 금물입니다.

### 충전기 청소 지침



**경고:** 감전 위험. 청소하려면 먼저 충전기를 AC 콘센트에서 분리하십시오. 형겅이나 부드러운 금속 이외 브러시로 충전기 외관 부분에 묻은 먼지 및 기름을 제거할 수 있습니다. 물이나 세척제를 사용하지 마십시오.

## 선택 액세서리



**경고:** DeWALT에서 제공되지 않은 액세서리는 이 제품에 테스트되지 않았으므로, 그러한 액세서리를 이 공구와 함께 사용하면 위험할 수 있습니다. 신체 부상의 위험을 줄이려면 본 제품에 DeWALT 권장 액세서리만 사용해야 합니다.

해당 액세서리에 대한 자세한 정보는 판매 대리점으로 문의하십시오.

이러한 위험으로는 다음과 같은 것들이 있습니다:

- DE3241 평행 가이드
- DE3242 3총망 바
- 581281-00 집진 어댑터
- 581239-01 집진 장막
- 402140-00 쏘개집 방지 슈 인서트
- 581268-00 스크래치 방지용 슈 커버

## 환경 보호



분리 수거. 본 제품을 일반 가정용 쓰레기로 처리하면 안됩니다.

DEWALT 제품을 교체해야 하거나 더 이상 쓸모가 없어졌다고 판단될 때는 본 제품을 가정용 쓰레기와 함께 처리하지 마십시오. 이 제품은 분리 수거하십시오.



사용하던 제품과 포장을 분리 수거하면 자원을 재활용 및 재사용할 수 있습니다. 재활용 자원을 이용하면 환경 오염이 방지되고 고철 자원에 대한 수요를 줄일 수 있습니다.

지역에 따라 가정용 가전제품을 분리 수거하는 규정이 마련되어 있거나 새로운 제품을 구입할 때 판매점에서 폐기 방법을 알려줄 수 있습니다.

DEWALT는 사용이 끝난 DEWALT 제품을 수집하여 재활용하기 위한 시설을 운영하고 있습니다. 이 서비스를 활용하려면 당사가 폐제품 수거를 위한 공인 수리 대리점에 제품을 반환해 주십시오.

본 사용 설명서에 기재된 연락처로 가까운 DEWALT 영업소에 연락하면 가까운 공인 수리 대리점 위치를 확인할 수 있습니다. 또는 다음 웹 사이트를 방문하여 DEWALT 수리 지정점 목록과 A/S 및 연락처 등 자세한 정보를 찾아볼 수 있습니다 [www.2helpU.com](http://www.2helpU.com).



## 충전용 배터리 팩

이전에 쉽게 수행했던 작업에 대해 충분한 힘을 발휘하지 못하는 배터리 팩은 재충전해야 합니다. 배터리 수명이 다하면 환경 보호 차원에서 배터리 팩을 폐기하십시오.

- 배터리 팩을 완전히 사용하고 난 후 공구에서 분리하십시오.
- 리튬이온 셀은 재활용할 수 있습니다. 이 전지를 판매점이나 지역 재활용 센터로 가져가십시오. 수집된 배터리 팩은 재활용되거나 적절히 폐기됩니다.