

DEWALT®

www.DEWALT.com

D25872

D25892

English (original instructions)	3
Français (<i>traduction de la notice d'instructions originale</i>)	8
Türkçe (<i>orijinal talimatlardan çevrilmiştir</i>)	14
العربية: لمترجم عن التعليمات الأصلية	22

Figure A

شكل A

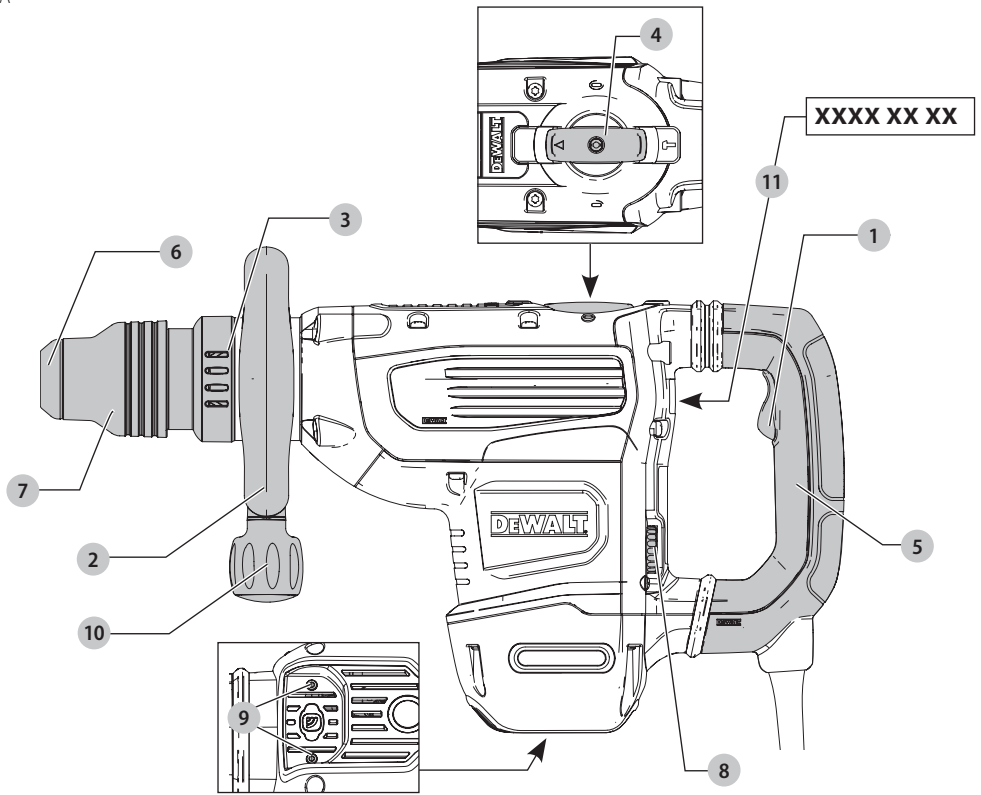


Figure B

شكل B

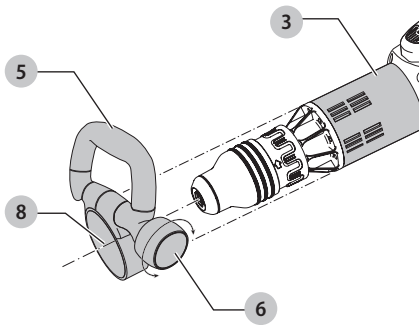


Figure C

شكل C

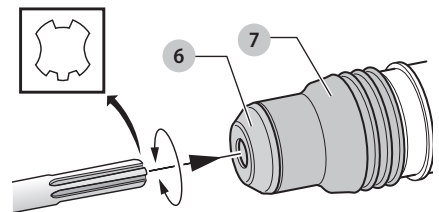


Figure D

شکل D

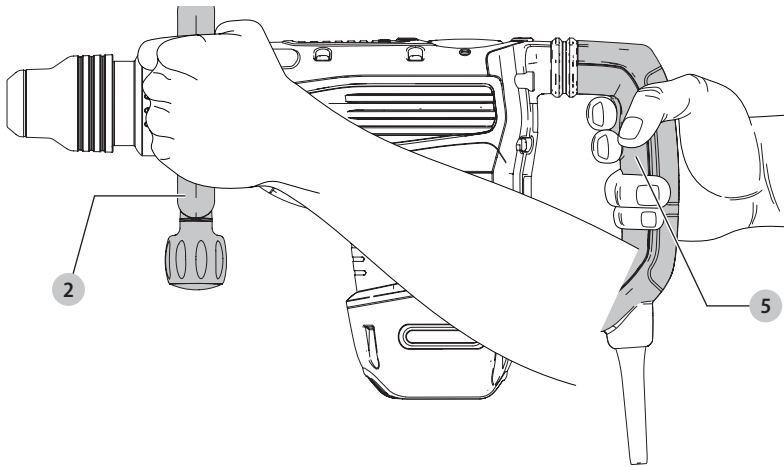
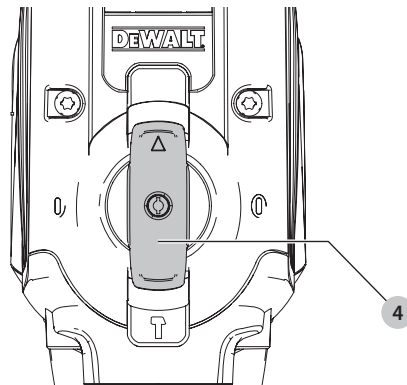


Figure E

شکل E



HEAVY-DUTY CHIPPING HAMMER

D25872, D25892

Congratulations!

You have chosen a DEWALT tool. Years of experience, thorough product development and innovation make DEWALT one of the most reliable partners for professional power tool users.

Technical Data

		D25872	D25892
Voltage	V_{Ac}	220–240	220–240
	V_{Ac} B4	127	127
Type		1	1
Frequency	Hz	50/60	50/60
	B4	60	60
Power Input	W	1600	1700
No-load beats per minute	bpm	1350–2705	1105–2210
Single impact energy (EPTA 05/2009)	J	13.3	19.4
Max. Impact Joule	J	15.7	22.7
Tool holder		SDS MAX	SDS MAX
Collar diameter	mm	83	83
Weight (including handle)	kg	8.6	9.9

Definitions: Safety Guidelines

The definitions below describe the level of severity for each signal word. Please read the manual and pay attention to these symbols.



DANGER: Indicates an imminently hazardous situation which, if not avoided, **will** result in **death or serious injury**.



WARNING: Indicates a potentially hazardous situation which, if not avoided, **could** result in **death or serious injury**.



CAUTION: Indicates a potentially hazardous situation which, if not avoided, **may** result in **minor or moderate injury**.

NOTICE: Indicates a practice **not related to personal injury** which, if not avoided, **may** result in **property damage**.



Denotes risk of electric shock.



Denotes risk of fire.



WARNING: To reduce the risk of injury, read the instruction manual.

General Power Tool Safety Warnings



WARNING: Read all safety warnings and all instructions. Failure to follow the warnings and instructions may result in electric shock, fire and/or serious injury.

SAVE ALL WARNINGS AND INSTRUCTIONS FOR FUTURE REFERENCE

The term "power tool" in the warnings refers to your mains-operated (corded) power tool or battery-operated (cordless) power tool.

1) Work area safety

- Keep work area clean and well lit.** Cluttered or dark areas invite accidents.
- Do not operate power tools in explosive atmospheres, such as in the presence of flammable liquids, gases or dust.** Power tools create sparks which may ignite the dust or fumes.
- Keep children and bystanders away while operating a power tool.** Distractions can cause you to lose control.

2) Electrical safety

- Power tool plugs must match the outlet. Never modify the plug in any way. Do not use any adapter plugs with earthed (grounded) power tools.** Unmodified plugs and matching outlets will reduce risk of electric shock.
- Avoid body contact with earthed or grounded surfaces such as pipes, radiators, ranges and refrigerators.** There is an increased risk of electric shock if your body is earthed or grounded.
- Do not expose power tools to rain or wet conditions.** Water entering a power tool will increase the risk of electric shock.
- Do not abuse the cord. Never use the cord for carrying, pulling or unplugging the power tool. Keep cord away from heat, oil, sharp edges or moving parts.** Damaged or entangled cords increase the risk of electric shock.
- When operating a power tool outdoors, use an extension cord suitable for outdoor use.** Use of a cord suitable for outdoor use reduces the risk of electric shock.
- If operating a power tool in a damp location is unavoidable, use a residual current device (RCD) protected supply.** Use of an RCD reduces the risk of electric shock.

3) Personal safety

- Stay alert, watch what you are doing and use common sense when operating a power tool. Do not use a power tool while you are tired or under the influence of drugs, alcohol or medication.** A moment of inattention while operating power tools may result in serious personal injury.
- Use personal protective equipment. Always wear eye protection.** Protective equipment such as dust mask, non-skid safety shoes, hard hat, or hearing protection used for appropriate conditions will reduce personal injuries.

- c) **Prevent unintentional starting.** Ensure the switch is in the off position before connecting to power source and/or battery pack, picking up or carrying the tool. Carrying power tools with your finger on the switch or energising power tools that have the switch on invites accidents.
- d) **Remove any adjusting key or wrench before turning the power tool on.** A wrench or a key left attached to a rotating part of the power tool may result in personal injury.
- e) **Do not overreach. Keep proper footing and balance at all times.** This enables better control of the power tool in unexpected situations.
- f) **Dress properly. Do not wear loose clothing or jewellery. Keep your hair, clothing and gloves away from moving parts.** Loose clothes, jewellery or long hair can be caught in moving parts.
- g) **If devices are provided for the connection of dust extraction and collection facilities, ensure these are connected and properly used.** Use of dust collection can reduce dust-related hazards.

4) Power tool use and care

- a) **Do not force the power tool. Use the correct power tool for your application.** The correct power tool will do the job better and safer at the rate for which it was designed.
- b) **Do not use the power tool if the switch does not turn it on and off.** Any power tool that cannot be controlled with the switch is dangerous and must be repaired.
- c) **Disconnect the plug from the power source and/or the battery pack from the power tool before making any adjustments, changing accessories, or storing power tools.** Such preventive safety measures reduce the risk of starting the power tool accidentally.
- d) **Store idle power tools out of the reach of children and do not allow persons unfamiliar with the power tool or these instructions to operate the power tool.** Power tools are dangerous in the hands of untrained users.
- e) **Maintain power tools. Check for misalignment or binding of moving parts, breakage of parts and any other condition that may affect the power tool's operation. If damaged, have the power tool repaired before use.** Many accidents are caused by poorly maintained power tools.
- f) **Keep cutting tools sharp and clean.** Properly maintained cutting tools with sharp cutting edges are less likely to bind and are easier to control.
- g) **Use the power tool, accessories and tool bits etc., in accordance with these instructions taking into account the working conditions and the work to be performed.** Use of the power tool for operations different from those intended could result in a hazardous situation.

5) Service

- a) **Have your power tool serviced by a qualified repair person using only identical replacement parts.** This will ensure that the safety of the power tool is maintained.

Additional Safety Instructions for Chipping Hammers

- **Wear ear protectors.** Exposure to noise can cause hearing loss.
- **Use auxiliary handle supplied with the tool.** Loss of control can cause personal injury.
- **Hold power tool by insulated gripping surfaces, when performing an operation where the cutting accessory may contact hidden wiring or its own cord.** Cutting accessory contacting a "live" wire may make exposed metal parts of the power tool "live" and could give the operator an electric shock.
- **Use clamps or other practical way to secure and support the workpiece to a stable platform.** Holding the work by hand or against your body is unstable and may lead to loss of control.
- **Wear safety goggles or other eye protection.** Hammering operations cause chips to fly. Flying particles can cause permanent eye damage. Wear a dust mask or respirator for applications that generate dust. Ear protection may be required for most applications.
- **Keep a firm grip on the tool at all times.** Do not attempt to operate this tool without holding it with both hands. It is recommended that the side handle be used at all times. Operating this tool with one hand will result in loss of control. Breaking through or encountering hard materials such as re-bar may be hazardous as well. Tighten the side handle securely before use.
- **Do not operate this tool for long periods of time.** Vibration caused by hammer action may be harmful to your hands and arms. Use gloves to provide extra cushion and limit exposure by taking frequent rest periods.
- **Do not recondition bits yourself.** Chisel reconditioning should be done by an authorized specialist. Improperly reconditioned chisels could cause injury.
- **Wear gloves when operating tool or changing bits.** Accessible metal parts on the tool and bits may get extremely hot during operation. Small bits of broken material may damage bare hands.
- **Never lay the tool down until the bit has come to a complete stop.** Moving bits could cause injury.
- **Do not strike jammed bits with a hammer to dislodge them.** Fragments of metal or material chips could dislodge and cause injury.
- **Slightly worn chisels can be resharpened by grinding.**
- **Keep the power cord away from the bit.** Do not wrap the cord around any part of your body. An electric cord wrapped around a spinning bit may cause personal injury and loss of control.

WARNING: We recommend the use of a residual current device with a residual current rating of 30mA or less.

Residual Risks

The following risks are inherent to the use of chipping hammers:

- Injuries caused by touching the rotating parts or hot parts of the tool.

In spite of the application of the relevant safety regulations and the implementation of safety devices, certain residual risks cannot be avoided. These are:

- Impairment of hearing.
- Risk of squeezing fingers when changing the accessory.
- Health hazards caused by breathing dust developed when working in concrete and/or masonry.
- Risk of personal injury due to flying particles.
- Risk of burns due to accessories becoming hot during operation.
- Risk of personal injury due to prolonged use.

Electrical Safety

The electric motor has been designed for one voltage only. Always check that the power supply corresponds to the voltage on the rating plate.



Your DEWALT tool is double insulated in accordance with EN60745; therefore no earth wire is required.



WARNING: 127V units have to be operated via a fail-safe isolating transformer with an earth screen between the primary and secondary winding.

If the supply cord is damaged, it must be replaced by a specially prepared cord available through the DEWALT service organisation.

Mains Plug Replacement (Middle East and Africa)

If a new mains plug needs to be fitted:

- Safely dispose of the old plug.
- Connect the brown lead to the live terminal in the plug.
- Connect the blue lead to the neutral terminal.



WARNING: No connection is to be made to the earth terminal.

Follow the fitting instructions supplied with good quality plugs. Recommended fuse: 13 A.

Using an Extension Cable

If an extension cable is required, use an approved 3-core extension cable suitable for the power input of this tool (see **Technical Data**). The minimum conductor size is 1.5 mm²; the maximum length is 30 m.

When using a cable reel, always unwind the cable completely.

Package Contents

The package contains:

- 1 Chipping hammer
- 1 Side handle

- 2 Chisels (D25892K-IN Version only)

- 1 Instruction manual

- Check for damage to the tool, parts or accessories which may have occurred during transport.
- Take the time to thoroughly read and understand this manual prior to operation.

Markings on Tool

The following pictograms are shown on the tool:



Read instruction manual before use.



Wear ear protection.



Wear eye protection.

Date Code Position (Fig. A)

The date code **11**, which also includes the year of manufacture, is printed into the housing.

Example:

2018 XX XX

Year of Manufacture

Description (Fig. A)



WARNING: Never modify the power tool or any part of it. Damage or personal injury could result.

- | | |
|-------------------------|--|
| 1 ON/OFF rocker switch | 8 Electronic speed and impact control dial |
| 2 Side handle | 9 DEWALT tool tag mounting holes |
| 3 Front Barrel (Collar) | 10 Screw for side handle mounting |
| 4 Mode selector dial | 11 Date code |
| 5 Main handle | |
| 6 Tool holder | |
| 7 Locking sleeve | |

Intended Use

Your chipping hammer has been designed for professional chiseling and chipping applications.

DO NOT use under wet conditions or in the presence of flammable liquids or gases.

Your chipping hammer is a professional power tool.

DO NOT let children come into contact with the tool.

Supervision is required when inexperienced operators use this tool.

- This product is not intended for use by persons (including children) suffering from diminished physical, sensory or mental abilities; lack of experience, knowledge or skills unless they are supervised by a person responsible for their safety. Children should never be left alone with this product.

Active Vibration Control (AVC) System

For best vibration control, hold the tool as described in **Proper Hand Position** and apply just enough pressure so the damping device on the main handle is approximately mid stroke.

The active vibration control neutralises rebound vibration from the hammer mechanism. Lowering hand and arm vibration, it allows more comfortable use for longer periods of time and extends the life of the unit.

The hammer only needs enough pressure to engage the active vibration control. Applying too much pressure will not make the tool chip faster and active vibration control will not engage.

DEWALT Tool Tag Ready (Fig. A)

Optional Accessory

Your hammer comes with DEWALT tool tag mounting holes 9 and fasteners for installing a DEWALT Tool Tag. You will need a T20 bit tip to install the tag. The DEWALT Tool Tag is designed for tracking and locating professional power tools, equipment, and machines using the DEWALT Tool Connect™ app. For proper installation of the DEWALT Tool Tag refer to the DEWALT Tool Tag manual.


Electronic Speed and Impact Control (Fig. A)

The electronic speed and impact control allows optimal tool control for precise chiseling.


To set the electronic speed and impact control dial 8, turn the dial to the desired level. The higher the number, the greater the speed and impact energy. Dial settings make the tool extremely flexible and adaptable for many different applications. The required setting depends on the bit size and hardness of material being chiseled.

- When chiselling soft, brittle materials or when minimum break-out is required, set the dial to a low setting;
- When breaking harder materials, set the dial to a high setting.

ASSEMBLY AND ADJUSTMENTS

 **WARNING:** To reduce the risk of serious personal injury, turn tool off and disconnect tool from power source before making any adjustments or removing/installing attachments or accessories. Be sure the trigger switch is in the OFF position. An accidental start-up can cause injury.

Side Handle (Fig. B)

 **WARNING:** To reduce the risk of personal injury, ALWAYS operate the tool with the side handle properly installed. Failure to do so may result in the side handle slipping during tool operation and subsequent loss of control. Hold tool with both hands to maximize control.


The side handle 2 clamps to the front of the gear case and may be rotated 360° to permit right- or left-hand use.


Mounting the Side Handle Assembly (Fig. B)

1. Widen the ring opening 12 of the side handle 2 by rotating the screw for side handle mounting 10 anti-clockwise.
2. Slide the assembly onto the nose of the tool, through the steel ring 12 and onto the collar 3, past the chisel holder and sleeve.
3. Rotate the side handle assembly to the desired position.

4. Lock the side handle mounting assembly in place by securely tightening the screw for side handle mounting 10 rotating it clockwise so that the assembly will not rotate.

Bit and Bit Holder

 **WARNING:** Burn Hazard. ALWAYS wear gloves when changing bits. Accessible metal parts on the tool and bits may get extremely hot during operation. Small bits of broken material may damage bare hands.

 **WARNING:** Do not attempt to tighten or loosen chisel bits (or any other accessory) by gripping the front part of the chuck and turning the tool on. Damage to the chuck and personal injury may occur.

The chipping hammer can be fitted with various chisel bits depending on the desired application. **Use sharp bits only.**

Inserting and Removing SDS MAX Bits (Fig. C)

NOTE: Accessories and attachments used must be lubricated around the SDS fitment before installation.

1. Pull back the locking sleeve 7 and insert the bit shank. The bit shank must be clean.
2. Turn the bit slightly until the sleeve snaps back into position.
3. Ensure the bit is properly engaged.

NOTE: The bit needs to move several centimeters in and out of the tool holder 6 when properly engaged.

4. To remove the bit, pull back the locking sleeve and pull the bit out.


Bit Position Adjustment


Turn the mode selector to bit adjustment icon (Refer to **Mode Selection**) to adjust the chisel to the desired position. There are multiple positions to set the angle of the chisel.

NOTE: After finding the desired position, slightly maneuver the chisel bit back and forth to ensure the chisel is properly engaged.


OPERATION

Instructions for Use

 **WARNING:** Always observe the safety instructions and applicable regulations.

 **WARNING:** To reduce the risk of serious personal injury, turn tool off and disconnect tool from power source before making any adjustments or removing/installing attachments or accessories. Be sure the trigger switch is in the OFF position. An accidental start-up can cause injury.

Proper Hand Position (Fig. D)

 **WARNING:** To reduce the risk of serious personal injury, ALWAYS use proper hand position as shown.

 **WARNING:** To reduce the risk of serious personal injury, ALWAYS hold securely in anticipation of a sudden reaction.

Proper hand position requires one hand on the mounted side handle 2, with the other hand on the main handle 5.

Mode Selection (Fig. E)

WARNING: Do not select the operating mode when the tool is running. Tool must come to a complete stop before activating the mode selector button or damage to the tool may result.

Your tool is equipped with a mode selector dial ④ to select the mode appropriate to desired operation.

Symbol	Mode	Application
	Bit Adjustment	Chisel bit position adjustment
	Hammering/Chipping	Light chipping, chiseling and demolition

To Select a Mode

- Rotate the mode selector dial so that the arrow points to the symbol corresponding for the desired mode.

NOTE: The arrow on the mode selector dial ④ must be pointing at a mode symbol at all times. There are no operable positions in between.

Indexing the Chisel Position (Fig. E)

The chisel can be indexed and locked into 24 different positions.

- Rotate the mode selector switch ④ until it points towards the position.
- Rotate the chisel in the desired position.
- Set the mode selector switch ④ to the "Hammering/Chipping" position.
- Twist the chisel until it locks in position.

Performing an Application (Fig. A, E)

WARNING: TO REDUCE THE RISK OF PERSONAL INJURY, ALWAYS ensure workpiece is anchored or clamped firmly.

NOTE: Operating temperature of this tool is 7 to +40° C. Using the tool outside of this temperature range will decrease the life of the tool.

- Insert the appropriate chisel and rotate it by hand to lock it into the desired position. Refer to **Bit and Bit Holder**.
- Using the mode selector dial ④, select chipping mode. Refer to **Mode Selection**.
- Adjust the side handle ② as necessary. Refer to **Mounting the Side Handle Assembly**.
- Place the chisel on the desired location.
- Depress the ON/OFF rocker switch ①.
- To stop the hammer, release the ON/OFF rocker switch.

MAINTENANCE

Your DEWALT power tool has been designed to operate over a long period of time with a minimum of maintenance. Continuous satisfactory operation depends upon proper tool care and regular cleaning.

WARNING: To reduce the risk of serious personal injury, turn tool off and disconnect tool from power source before making any adjustments or removing/

installing attachments or accessories. Be sure the trigger switch is in the OFF position. An accidental start-up can cause injury.



Lubrication

Your power tool requires no additional lubrication.



Cleaning

WARNING: Blow dirt and dust out of the main housing with dry air as often as dirt is seen collecting in and around the air vents. Wear approved eye protection and approved dust mask when performing this procedure.

WARNING: Never use solvents or other harsh chemicals for cleaning the non-metallic parts of the tool. These chemicals may weaken the materials used in these parts. Use a cloth dampened only with water and mild soap. Never let any liquid get inside the tool; never immerse any part of the tool into a liquid.

Optional Accessories

WARNING: Since accessories, other than those offered by DEWALT, have not been tested with this product, use of such accessories with this tool could be hazardous. To reduce the risk of injury, only DEWALT recommended accessories should be used with this product.

Various types of SDS MAX chisels are available as an option. Accessories and attachments used must be regularly lubricated around the SDS MAX fitment.

Consult your dealer for further information on the appropriate accessories.

Protecting the Environment



Separate collection. Products and batteries marked with this symbol must not be disposed of with normal household waste.

Products and batteries contain materials that can be recovered or recycled reducing the demand for raw materials. Please recycle electrical products and batteries according to local provisions. Further information is available at www.2helpU.com.

MARTEAU BURINEUR INDUSTRIEL

D25872, D25892

Félicitations !

Vous avez choisi un outil DEWALT. Des années d'expertise dans le développement et l'innovation de ses produits ont fait de DEWALT, le partenaire privilégié des utilisateurs professionnels d'outils électriques.

Fiche technique

		D25872	D25892
Tension	V _{AC}	220–240	220–240
	V _{AC} B4	127	127
Type		1	1
Fréquence	Hz	50/60	50/60
	B4	60	60
Puissance absorbée	W	1600	1700
Battements à vide par minute	bpm	1350–2705	1105–2210
Énergie d'impact individuel (EPTA 05/2009)	J	13,3	19,4
Puissance d'impact maxi en joules	J	15,7	22,7
Porte-outil		SDS MAX	SDS MAX
Diamètre du collier	mm	83	83
Poids (avec la poignée)	kg	8,6	9,9

Définitions : consignes de sécurité

Les définitions ci-dessous décrivent le niveau de gravité de chaque mot signalétique. Lisez le manuel de l'utilisateur et soyez attentif à ces symboles.



DANGER : indique une situation dangereuse imminente qui, si elle n'est pas évitée, **entraînera des blessures graves ou mortelles**.



AVERTISSEMENT : indique une situation dangereuse potentielle qui, si elle n'est pas évitée, pourrait entraîner **des blessures graves ou mortelles**.



ATTENTION : indique une situation dangereuse potentielle qui, si elle n'est pas évitée, pourrait entraîner **des blessures minimes ou modérées**.

AVIS : indique une pratique ne **posant aucun risque de dommages corporels**, mais qui par contre, si rien n'est fait pour l'éviter, **pourrait poser des risques de dommages matériels**.



Indique un risque d'électrocution.



Indique un risque d'incendie.



AVERTISSEMENT : afin de réduire le risque de blessure, lisez le manuel d'instruction.

Consignes de sécurité générales propres aux outils électriques



AVERTISSEMENT : lire toutes les directives et consignes de sécurité. Tout manquement aux directives et consignes ci-inclus comporte des risques de décharges électriques, d'incendie et/ou de dommages corporels graves.

CONSERVER TOUTES CES DIRECTIVES ET CONSIGNES À TITRE DE RÉFÉRENCE

Le terme « outil électrique » mentionné dans les avertissements ci-après se rapporte aux outils alimentés sur secteur (avec fil) ou par piles (sans fil).

1) Sécurité – Aire de Travail

- Maintenir l'aire de travail propre et bien éclairée.** Les lieux sombres ou encombrés sont propices aux accidents.
- Ne pas utiliser un outil électrique dans un milieu déflagrant, comme en présence de liquides, gaz ou poussières inflammables.** Les outils électriques peuvent produire des étincelles qui pourraient enflammer toute émanation ou poussière ambiante.
- Maintenir à l'écart les enfants, ou toute autre personne, lors de l'utilisation d'un outil électrique.** Toute distraction pourrait faire perdre la maîtrise de l'appareil.

2) Sécurité – Électricité

- La fiche électrique de l'outil doit correspondre à la prise murale. Ne modifier la fiche en aucune façon. Ne pas utiliser de fiche d'adaptation avec un outil électrique mis à la terre (masse).** L'utilisation de fiches d'origine et de prises appropriées réduira tout risque de décharges électriques.
- Éviter tout contact corporel avec des éléments mis à la terre comme : tuyaux, radiateurs, cuisinières ou réfrigérateurs.** Les risques de décharges électriques augmentent lorsque le corps est mis à la terre.
- Ne pas exposer les outils électriques à la pluie ou à l'humidité.** Tout contact d'un outil électrique avec un liquide augmente les risques de décharges électriques.
- Ne pas utiliser le cordon de façon abusive. Ne jamais utiliser le cordon pour transporter, tirer ou débrancher un outil électrique. Protéger le cordon de toute source de chaleur, de l'huile, et de tout bord tranchant ou pièce mobile.** Les cordons endommagés ou emmêlés augmentent les risques de décharges électriques.
- En cas d'utilisation d'un outil électrique à l'extérieur, utiliser systématiquement une rallonge conçue à cet effet.** Cela diminuera tout risque de décharges électriques.

- f) *Si on ne peut éviter d'utiliser un outil électrique en milieu humide, utiliser un circuit protégé par un dispositif de courant résiduel (RCD). Cela réduira tout risque de décharges électriques.*

3) Sécurité Individuelle

- a) **Rester systématiquement vigilant et faire preuve de jugement lorsqu'on utilise un outil électrique. Ne pas utiliser d'outil électrique en cas de fatigue ou sous l'influence de drogues, d'alcool ou de médicaments.** *Tout moment d'inattention pendant l'utilisation d'un outil électrique comporte des risques de dommages corporels graves.*
- b) **Porter un équipement de protection individuel. Porter systématiquement un dispositif de protection oculaire.** *Le fait de porter un masque anti-poussières, des chaussures antidérapantes, un casque de sécurité ou un dispositif de protection auditive, lorsque la situation le requiert, réduira les risques de dommages corporels.*
- c) **Prévenir tout démarrage accidentel. S'assurer que l'interrupteur est en position d'arrêt avant de brancher l'outil sur le secteur et/ou la batterie, ou de le ramasser ou le transporter.** *Transporter un outil le doigt sur l'interrupteur ou brancher un outil électrique alors que l'interrupteur est en position de marche invite les accidents.*
- d) **Retirer toute clé de réglage avant de démarrer l'outil.** *Une clé laissée sur une pièce rotative d'un outil électrique comporte des risques de dommages corporels.*
- e) **Adopter une position stable. Maintenir les pieds bien ancrés au sol et conserver son équilibre en permanence.** *Cela permettra de mieux maîtriser l'outil électrique en cas de situations imprévues.*
- f) **Porter des vêtements appropriés. Ne porter aucun vêtement ample ou bijou. Maintenir cheveux, vêtements et gants à l'écart des pièces mobiles,** *car ils pourraient s'y faire prendre.*
- g) **Lorsqu'un dispositif de connexion à un système de dépoussiérage ou d'élimination est fourni, s'assurer qu'il est branché et utilisé correctement.** *L'utilisation de ces dispositifs peut réduire les risques engendrés par les poussières.*

4) Utilisation et Entretien des Outils Électriques

- a) **Ne pas forcer un outil électrique. Utiliser l'outil approprié au travail en cours.** *L'outil approprié effectuera un meilleur travail, de façon plus sûre et à la vitesse pour laquelle il a été conçu.*
- b) **Ne pas utiliser un outil électrique dont l'interrupteur est défectueux.** *Tout appareil dont l'interrupteur est défectueux est dangereux et doit être réparé.*
- c) **Débrancher la fiche du secteur et/ou la batterie de l'outil électrique avant d'effectuer tout réglage, de changer tout accessoire, ou avant de le ranger.** *Ces mesures préventives réduiront tout risque de démarrage accidentel de l'appareil.*

- d) **Après utilisation, ranger les outils électriques hors de portée des enfants et ne permettre à aucune personne non familière avec son fonctionnement (ou sa notice d'instructions) de l'utiliser.** *Les outils peuvent être dangereux entre des mains inexpérimentées.*
- e) **Entretenir les outils électriques. Vérifier les pièces mobiles pour s'assurer qu'elles sont bien alignées et tournent librement, qu'elles sont en bon état et ne sont affectées d'aucune condition susceptible de nuire au bon fonctionnement de l'outil. En cas de dommage, faire réparer l'outil électrique avant toute nouvelle utilisation.** *De nombreux accidents sont causés par des outils mal entretenus.*
- f) **Maintenir tout organe de coupe propre et bien affûté.** *Les outils de coupe bien entretenus et affûtés sont moins susceptibles de se coincer et sont plus faciles à contrôler.*
- g) **Utiliser un outil électrique, ses accessoires, mèches, etc., conformément aux présentes directives et suivant la manière prévue pour ce type particulier d'outil électrique, en tenant compte des conditions de travail et de la tâche à effectuer.** *L'utilisation d'un outil électrique à des fins autres que celles prévues est potentiellement dangereuse.*


5) Réparation

- a) **Faire entretenir les outils électriques par un réparateur qualifié en n'utilisant que des pièces de rechange identiques.** *Cela permettra de préserver l'intégrité de l'outil électrique et la sécurité de l'utilisateur.*

Consignes de sécurité supplémentaires pour les marteaux burineurs

- **Portez des protections auditives.** *L'exposition au bruit peut engendrer une perte de l'ouïe.*
- **Utilisez la poignée auxiliaire fournie avec l'outil.** *La perte de contrôle peut provoquer des blessures.*
- **Tenez les outils électriques par leurs surfaces de préhension isolées pendant les interventions lors desquelles l'accessoire de coupe pourrait entrer en contact avec des fils électriques cachés.** *Tout contact avec un fil sous tension peut mettre les parties métalliques exposées de l'outil sous tension et provoquer un choc électrique à l'utilisateur.*
- **Utilisez des pinces ou tout autre moyen pratique pour fixer et soutenir la pièce à travailler sur une plateforme stable.** *Tenir la pièce à travailler à la main ou contre votre corps la rend instable et peut conduire à une perte de contrôle.*
- **Portez des lunettes de protection ou un autre moyen de protection oculaire.** *Les opérations de martelage peuvent projeter des éclats. Les particules volantes peuvent endommager vos yeux de façon permanente. Portez un masque anti-poussière ou un appareil respiratoire pour les applications qui génèrent de la poussière. Une protection auditive peut être nécessaire pour la plupart des applications.*

- **Maintenez toujours fermement l'outil.** Ne tentez pas d'utiliser cet outil sans le tenir à deux mains. Il est recommandé de toujours utiliser la poignée latérale. L'utilisation de cet outil à une seule main entraîne une perte de contrôle. La perforation ou la rencontre avec des matériaux durs comme des fers à béton peut également être dangereuse. Serrez solidement la poignée latérale avant utilisation.
- **N'utilisez pas cet outil de manière prolongée.** Les vibrations provoquées par la percussion peuvent être nuisibles pour les mains et les bras. Utilisez des gants pour les amortir et limitez l'exposition en faisant régulièrement des pauses.
- **Ne reconditionnez pas les embouts vous-même.** Le reconditionnement des burins doit être réalisé par un spécialiste agréé. Les burins mal reconditionnés peuvent provoquer des blessures.
- **Portez des gants pour utiliser l'outil ou changer les embouts.** Les parties métalliques accessibles de l'outil et les embouts peuvent devenir extrêmement chauds pendant l'utilisation. Les petites chutes de matière peuvent vous blesser les mains si elles sont nues.
- **Ne posez jamais l'outil avant que l'embout ne soit complètement arrêté.** L'embout en mouvement pourrait provoquer des blessures.
- **Ne tapez jamais sur les embouts avec un marteau pour les déloger.** Des fragments de métal ou des copeaux de matière pourraient se détacher et provoquer des blessures.
- **Les burins légèrement usés peuvent être ré-affûtés en les meulant.**
- **Maintenez le cordon électrique éloigné de l'embout.** N'enroulez le cordon autour d'aucune partie de votre corps. Un cordon électrique enroulé autour d'un embout en rotation peut provoquer des blessures et la perte de contrôle.

 **AVERTISSEMENT :** nous recommandons l'utilisation d'un disjoncteur différentiel avec un seuil de déclenchement de 30mA ou moins.

Risques résiduels

Les risques suivants sont inhérents à l'utilisation des marteaux burineurs :

- Blessures dues au contact avec les pièces rotatives ou chaudes de l'outil.

Malgré l'application de la réglementation de sécurité en pertinente et la mise en œuvre de dispositifs de sécurité, certains risques résiduels ne peuvent pas être évités. Ils comprennent :

- La diminution de l'acuité auditive.
- Le risque de se coincer les doigts lors du remplacement de l'accessoire.
- Les risques pour la santé dus à l'inhalation de la poussière émise lors des interventions dans le béton et/ou les matériaux de maçonnerie.
- Risques de dommages corporels dus à la projection de particules.
- Risques de brûlures provoquées par des accessoires chauffant pendant leur utilisation.
- Risques de dommages corporels dus à un usage prolongé.

Sécurité électrique

Le moteur électrique a été conçu pour fonctionner sur une tension unique. Vérifier systématiquement que la tension du secteur correspond bien à la tension indiquée sur la plaque signalétique.



Votre outil DEWALT à double isolation est conforme à la norme EN60745 ; un branchement à la terre n'est donc pas nécessaire.



AVERTISSEMENT : les appareils à 127 V doivent être utilisés avec des transformateurs d'isolation à l'épreuve des pannes doté d'un écran de terre entre l'enroulement primaire et secondaire.

Si le cordon fourni est endommagé, le remplacer par un cordon spécialement conçu à cet effet, et disponible auprès du service après-vente DEWALT.

Remplacement de la fiche d'alimentation (Moyen-Orient et Afrique)

Si une nouvelle fiche d'alimentation doit être montée :

- Mettre soigneusement au rebut l'ancienne fiche.
- Raccorder le fil marron à la borne de phase dans la fiche.
- Raccorder le fil bleu à la borne de neutre.



AVERTISSEMENT : aucun branchement ne doit être fait à la borne de terre.

Suivez les instructions de montage fournies avec des fiches de bonne qualité. Fusible recommandé : 13 A.

Utilisation d'une rallonge

Si une rallonge s'avère nécessaire, utiliser une rallonge à trois fils homologuée et compatible avec la tension nominale de cet outil (consulter la **Fiche techniques**). La section minimale du conducteur est de 1,5 mm² pour une longueur maximale de 30 m.

En cas d'utilisation d'un dévidoir, dérouler systématiquement le câble sur toute sa longueur.

Contenu de l'emballage

Ce carton comprend :

- 1 Marteau burineur
 - 1 Poignée latérale
 - 2 burins (Version D25892K-IN uniquement)
 - 1 Notice d'instructions
- Vérifier que l'appareil et ses pièces ou accessoires n'ont pas été endommagés lors du transport.
 - Prendre le temps de lire attentivement et comprendre cette notice d'instructions avant toute utilisation de l'appareil.

Étiquettes sur l'appareil

On trouve les diagrammes suivants sur l'outil :



Lire la notice d'instructions avant toute utilisation.



Porter un dispositif de protection auditive.



Porter un dispositif de protection oculaire.

Emplacement de la Date Codée de Fabrication (Fig. A)

La date codée de fabrication **11**, qui comprend aussi l'année de fabrication, est imprimée sur le boîtier.

Exemple :

2018 XX XX

Année de fabrication

Description (Fig. A)



AVERTISSEMENT : ne jamais modifier l'outil électrique ni aucun de ses composants. Il y a risques de dommages corporels ou matériels.

- | | |
|---------------------------------------|---|
| 1 Interrupteur Marche/Arrêt à bascule | 8 Variateur de vitesse et contrôle d'impact électroniques |
| 2 Poignée latérale | 9 Trous pour l'installation d'une balise d'outil DEWALT |
| 3 Cylindre avant (collier) | 10 Vis pour la fixation de la poignée auxiliaire |
| 4 Molette de sélection de mode | 11 Code date |
| 5 Poignée principale | |
| 6 Porte-outil | |
| 7 Manchon de verrouillage | |

Utilisation prévue

Votre marteau burineur a été conçu pour les applications professionnelles de burinage et de ciselage.

NE L'UTILISEZ PAS dans un environnement humide ou en présence de liquides ou de gaz inflammables.

Ce marteau burineur est un outil électrique professionnel.

NE PAS les laisser à la portée des enfants. Une supervision est nécessaire auprès de tout utilisateur non expérimenté.

- Ce produit n'est pas prévu pour être utilisé par des personnes (y compris les enfants) dont les capacités physiques, sensorielles ou mentales sont réduites ou qui manquent d'expérience ou d'aptitudes, sauf si ces personnes sont surveillées par une autre personne responsable de leur sécurité. Ne jamais laisser les enfants seuls avec ce produit.

Système de contrôle des vibrations actif (AVC)

Pour mieux maîtriser les vibrations, tenez l'outil comme décrit dans la section **Position correcte des mains** et n'appuyez que suffisamment pour que le dispositif d'amortissement sur la poignée principale arrive à mi-course.

Le contrôle actif des vibrations neutralise les vibrations de rebond du mécanisme de percussion. En réduisant les vibrations sur les mains et les bras, il permet une utilisation plus confortable et plus longue et prolonge la durée de vie de la machine.

Le marteau ne nécessite qu'une pression suffisante pour enclencher le contrôle actif des vibrations. Une pression trop importante n'augmente pas la vitesse de burinage et empêche l'activation du contrôle actif des vibrations.

Outil DEWALT prêt à être étiqueté (Fig. A)

Accessoire en option

Votre marteau est livré avec des trous pour l'installation d'une balise d'outil DEWALT **9** et des fixations pour installer la balise DEWALT. Vous aurez besoin d'un embout T20 pour installer la balise. Cette balise d'outil DEWALT a été conçue pour suivre et localiser les outils électriques, les équipements et les machines professionnels grâce à l'application DEWALT Tool Connect™. Pour installer correctement la balise d'outil DEWALT, consultez le manuel Balise d'outil DEWALT.

Variateur de vitesse et contrôle d'impact électroniques (Fig. A)

Le variateur de vitesse et le contrôle d'impact électroniques permettent d'optimiser le contrôle de l'outil pour un burinage plus précis.

Pour régler la molette de vitesse et de contrôle d'impact électronique **8**, tournez-la jusqu'au niveau souhaité. Plus de chiffre est élevé, plus la vitesse et la force de l'impact sont grandes. Le réglage de la molette rend l'outil extrêmement polyvalent, il peut ainsi être adapté pour de nombreuses applications différentes. Le réglage nécessaire dépend de la taille de l'embout et de la dureté de la matière devant être burinée.

- Lors du ciselage ou du perçage dans des matériaux tendres et cassants ou lorsqu'une rupture minimale est requise, placez le variateur sur un réglage faible ;
- Lors de la démolition ou du perçage dans des matériaux plus durs, placez le variateur sur un réglage élevé.

MONTAGE ET RÉGLAGES



AVERTISSEMENT : pour réduire tout risque de dommages corporels graves, arrêter et débrancher l'outil avant tout réglage ou avant de retirer ou installer toute pièce ou tout accessoire. S'assurer que la gâchette est bien en position d'ARRÊT. Tout démarrage accidentel pourrait causer des dommages corporels.

Poignée latérale (Fig. B)



AVERTISSEMENT : afin de réduire le risque de blessures, utilisez **TOUJOURS** l'outil avec la poignée latérale correctement installée. Dans le cas contraire, la poignée latérale peut glisser pendant l'utilisation de l'outil et entraîner une perte de contrôle. Tenez l'outil à deux mains pour maximiser le contrôle.

La poignée latérale **2** se fixe sur l'avant du carter d'engrenage et elle peut être pivotée à 360° pour permettre l'utilisation de la main droite ou de la gauche.

Installer la poignée latérale Ensemble (Fig. B)

1. Élargissez l'anneau **12** de la poignée latérale **2** en tournant la vis de fixation de la poignée **10** dans le sens inverse des aiguilles d'une montre.
2. Placez l'ensemble sur le marteau burineur en passant le nez de l'outil à travers l'anneau en acier **12** et sur le collier **3** après le porte-outil et le manchon.

3. Tournez l'ensemble de la poignée latérale dans la position voulue.
4. Fixez l'ensemble de la poignée latérale en place en vissant fermement la vis de fixation de la poignée **10** dans le sens des aiguilles d'une montre pour que l'ensemble ne bouge plus.

Embout et porte-embout

AVERTISSEMENT : risque de brûlures. Portez **TOUJOURS** des gants pour changer les embouts. Les parties métalliques accessibles de l'outil et les embouts peuvent devenir extrêmement chauds pendant l'utilisation. Les petites chutes de matière peuvent vous blesser les mains si elles sont nues.

AVERTISSEMENT : ne tentez pas de serrer ou de desserrer des burins (ou tout autre accessoire) en saisissant la partie avant du mandrin et en mettant l'outil en marche. Le mandrin pourrait sinon être endommagé et vous pourriez vous blesser.

Le marteau burineur peut être équipé de différents burins en fonction de l'application à réaliser. **N'utilisez que des embouts bien affûtés.**

Insertion et retrait des embouts SDS MAX (Fig. C)

REMARQUE : Les accessoires et les équipements utilisés doivent être régulièrement lubrifiés autour du point de raccord SDS avant installation.

1. Rétractez le manchon de verrouillage **7** et insérez la tige de l'embout. La tige de l'embout doit être propre.
2. Tournez légèrement l'embout jusqu'à ce que le manchon s'enclenche en position.
3. Assurez-vous que l'embout est correctement inséré.
REMARQUE : L'embout doit bouger de quelques centimètres dans et hors du porte-outil **6** lorsqu'il est correctement inséré.
4. Pour retirer l'embout, rétractez le manchon de verrouillage et sortez l'embout.

Réglage de la position de l'embout

Tournez la molette du sélecteur de mode sur l'icône Réglage de l'embout (Consultez la section **Sélection du mode**) afin de régler le burin à la position voulue. Il existe plusieurs positions permettant de régler l'angle du burin.

REMARQUE : Après avoir trouvé la bonne position, déplacez légèrement le burin d'arrière en avant à la main, afin de vous assurer qu'il est correctement engagé.

FONCTIONNEMENT

Consignes d'utilisation

AVERTISSEMENT : respecter systématiquement les consignes de sécurité et les normes en vigueur.

AVERTISSEMENT : pour réduire tout risque de dommages corporels graves, arrêter et débrancher l'outil avant tout réglage ou avant de retirer ou installer toute pièce ou tout accessoire. S'assurer que

la gâchette est bien en position d'ARRÊT. Tout démarrage accidentel pourrait causer des dommages corporels.

Position correcte des mains (Fig. D)

AVERTISSEMENT : pour réduire tout risque de dommages corporels graves, adopter **SYSTÉMATIQUEMENT** la position des mains illustrée.



AVERTISSEMENT : pour réduire tout risque de dommages corporels graves, maintenir fermement et **SYSTÉMATIQUEMENT** l'outil pour anticiper toute réaction soudaine de sa part.

La position correcte des mains nécessite une main sur la poignée latérale **2** et l'autre main sur la poignée principale **5**.

Sélection du mode (Fig. E)

AVERTISSEMENT : ne changez pas le mode de fonctionnement lorsque l'outil est en marche. L'outil doit être complètement arrêté avant que le bouton de sélection de mode ne soit activé, l'outil pourrait sinon être endommagé.

Votre outil est équipé d'une molette de sélection de mode **4** qui permet de choisir le bon mode de fonctionnement en fonction de l'opération à réaliser.

Symbole	Mode	Application
	Réglage de l'embout	Réglage de la position du burin
	Martelage/Burinage	Burinage, ciselage, démolition de faible intensité

Pour choisir un mode

- Tournez la molette de sélection de mode de façon que la flèche pointe vers le symbole correspondant au mode voulu.

REMARQUE : La flèche sur la molette de sélection de mode **4** doit tout le temps pointer vers le symbole du mode. Il n'existe aucune autre position utilisable entre ces positions.

Réglage de la position du burin (Fig. E)

Le burin peut être positionné et verrouillé dans 24 positions différentes.

1. Faites tourner le commutateur de mode **4** jusqu'à ce qu'il indique la position **O**.
2. Faites tourner le burin dans la position désirée.
3. Réglez le commutateur de mode **4** en position "Martelage/Burinage".
4. Faites tourner le burin jusqu'à ce qu'il se bloque en position.

Exécuter une tâche (Fig. A, E)

AVERTISSEMENT : **AFIN DE RÉDUIRE LE RISQUE DE BLESSURES**, assurez-vous **TOUJOURS** que la pièce à travailler est correctement ancrée ou fixée.

REMARQUE : La température de fonction de cet outil est comprise entre -7° et +40 °C. L'utilisation de l'outil hors de cette plage de température diminue sa durée de vie.

1. Insérez le burin approprié et faites-le tourner à la main pour le verrouiller à la position voulue. Consultez la section **Embouts et Porte-embout**.
2. À l'aide de la molette de sélection de mode 4, choisissez le mode Burinage. Consultez la section **Sélection du mode**.
3. Réglez la poignée latérale 2 si nécessaire. Consultez la section **Installer la poignée latérale Ensemble**.
4. Placez le burin à l'emplacement voulu.
5. Enfoncez l'interrupteur Marche/Arrêt à bascule 1.
6. Pour éteindre le marteau, relâchez l'interrupteur Marche/Arrêt à bascule.

MAINTENANCE

Votre outil électrique DEWALT a été conçu pour fonctionner longtemps avec un minimum de maintenance. Le fonctionnement continu et satisfaisant de l'outil dépendra d'une maintenance adéquate et d'un nettoyage régulier.



AVERTISSEMENT : pour réduire tout risque de dommages corporels graves, arrêter et débrancher l'outil avant tout réglage ou avant de retirer ou installer toute pièce ou tout accessoire. S'assurer que la gâchette est bien en position d'ARRÊT. Tout démarrage accidentel pourrait causer des dommages corporels.



Lubrification

Votre outil électrique ne requiert aucune lubrification additionnelle.



Entretien



AVERTISSEMENT : éliminer poussière et saleté du boîtier principal à l'aide d'air comprimé chaque fois que les orifices d'aération semblent s'encrasser. Porter systématiquement des lunettes de protection et un masque anti-poussières homologués au cours de cette procédure.



AVERTISSEMENT : ne jamais utiliser de solvants ou tout autre produit chimique décapant pour nettoyer les parties non métalliques de l'outil. Ces produits chimiques pourraient en attaquer les matériaux utilisés. Utiliser un chiffon humidifié avec de l'eau et un savon doux. Protéger l'outil de tout liquide et n'immerger aucune de ses pièces dans aucun liquide.

Accessoires en option



AVERTISSEMENT : comme les accessoires autres que ceux offerts par DEWALT n'ont pas été testés avec ce produit, leur utilisation avec cet appareil pourrait être dangereuse. Pour réduire tout risque de dommages corporels, seuls des accessoires DEWALT recommandés doivent être utilisés avec cet appareil.

Différents types de burins SDS Max sont disponibles en option. Les accessoires et les équipements utilisés doivent être régulièrement lubrifiés autour du point de raccord SDS MAX.

Veillez consulter votre revendeur pour plus d'informations sur les accessoires appropriés.

Protection de l'environnement



Tri sélectif. Les produits et batteries marqués de ce symbole ne doivent pas être jetés avec les déchets ménagers.

Les produits et batteries contiennent des matières qui peuvent être récupérées et recyclées afin de réduire la demande en matières premières. Veuillez recycler les produits électriques et les batteries conformément aux dispositions locales en vigueur. Pour plus d'informations, consultez le site www.2helpU.com.

AĞIR HİZMET TIPI HAVALI KIRICI

D25872

Tebrikler!




Bir DEWALT aleti seçtiniz. Uzun süreli deneyim, sürekli ürün geliştirme ve yenilik DEWALT markasının profesyonel elektrikli alet kullanıcıları için en güvenilir ortaklardan birisi haline gelmesini sağlamaktadır.

Teknik veriler

		D25872	D25892
Voltaj	V _{AC}	220–240	220–240
	V _{AC} B4	127	127
Tip		1	1
Frekans	Hz	50/60	50/60
	B4	60	60
Giriş Gücü	W	1600	1700
Yüksüz dakika başına vuruş sayısı	bpm	1350–2705	1105–2210
Tek darbe enerjisi (EPTA 05/2009)	J	13,3	19,4
Maks. Darbe Gücü Jul	J	15,7	22,7
Alet tutucu		SDS MAX	SDS MAX
Bilezik çapı	mm	83	83
Ağırlık (tutamak dahil)	kg	8,6	9,9

Tanımlar: Güvenlik Talimatları

Aşağıdaki tanımlar her işaret sözcüğü ciddiyet derecesini gösterir. Lütfen kılavuzu okuyunuz ve bu simgelerle dikkat ediniz.

-  **TEHLİKE:** Engellenmemesi halinde **ölüm veya ciddi yaralanma** ile sonuçlanabilecek çok yakın bir tehlikeli durumu gösterir.
-  **UYARI:** Engellenmemesi halinde **ölüm veya ciddi yaralanma** ile sonuçlanabilecek potansiyel bir tehlikeli durumu gösterir.
-  **DİKKAT:** Engellenmemesi halinde **önemsiz veya orta dereceli yaralanma** ile sonuçlanabilecek potansiyel bir tehlikeli durumu gösterir.
- İKAZ:** Engellenmemesi halinde **maddi hasara neden olabilecek, yaralanma ile ilişkisi olmayan durumları gösterir.**

 Elektrik çarpması riskini belirtir.

 Yangın riskini belirtir.

AT Uygunluk Beyanatı

MAKİNE DİREKTİFİ



Ağır Hizmet Tipi Havalı Kırıcı D25872

DEWALT, Teknik Özellikleri bölümünde açıklanan bu ürünlerin aşağıda belirtilen yönergelere uygun olduğunu beyan eder: 2006/42/AT, EN60745-1:2009+A11:2010, EN60745-2-6:2010.

2000/14/EC Elektrikli beton kırıcı (elle kullanılan) m ≤ = 15 kg, Ek VIII; TÜV Rheinland LGA Products GmbH (0197), D-90431

Nürnberg, Germany, Onaylanmış Gövde Tanıtım No.: 0197.

2000/14/EC (Bölüm 12, Ek III, No. 10; m ≤ = 15 kg) uyarınca ses seviyesi:

L_{WA} (ölçülen ses şiddeti seviyesi) dB(A) 101

L_{WA} (garanti edilen ses şiddeti seviyesi) dB(A) 104

Bu ürünler ayrıca 2014/30/EU ve 2011/65/EU Direktiflerine de uygundur. Daha ayrıntılı bilgi için, lütfen aşağıdaki adresten DEWALT ile temas kurun veya kılavuzun arka kapağına bakın.


Bu belge altında imzası bulunan yetkili, teknik dosyanın derlenmesinden sorumludur ve bu beyanı DEWALT adına vermiştir.

Markus Rompel
Mühendislik Direktörü
DEWALT, Richard-Klinger-Straße 11,
D-65510, Idstein, Almanya
02.11.2017



UYARI: Yaralanma riskini azaltmak için, kullanıma kılavuzunu okuyun.

Elektrikli El Aletleri İçin Genel Güvenlik Talimatları

 **UYARI:** Bu elektrikli aletle verilen tüm güvenlik uyarılarını, talimatları, resimleri ve teknik özellikleri okuyun. Aşağıda listelenen tüm talimatlara uyulmaması elektrik çarpmasına, yangına ve/veya ciddi yaralanmalara neden olabilir.

BÜTÜN UYARI VE GÜVENLİK TALİMATLARINI İLERİDE BAKMAK ÜZERE MUHAFAZA EDİN

Aşağıda yer alan uyarılardaki "elektrikli alet" terimi şebeke elektriğiyle (kablolu) veya akü/pille (şarjlı) çalışan elektrikli aletinizi ifade etmektedir.

1) Çalışma alanının güvenliği

- Çalışma alanını temiz ve aydınlık tutun.** Karışık ve karanlık alanlar kazaya davetiye çıkarır.
- Elektrikli aletleri, yanıcı sıvılar, gazlar ve tozların bulunduğu yerler gibi yanıcı ortamlarda çalıştırmayın.** Elektrikli aletler, toz veya dumanları ateşleyebilecek kıvılcımlar çıkarır.
- Bir elektrikli aleti çalıştırırken çocuklardan ve etraftaki kişilerden uzak tutun.** Dikkatinizi dağıtıcı şeyler kontrolü kaybetmenize neden olabilir.

2) Elektrik güvenliği

- Elektrikli aletlerin fişleri prizlere uygun olmalıdır.** Fiş üzerinde kesinlikle hiçbir değişiklik yapmayın. Topraklı elektrikli aletlerde hiçbir adaptör fişi kullanmayın. Değiştirilmemiş fişler ve uygun prizler elektrik çarpması riskini azaltacaktır.
- Borular, radyatörler, ocaklar ve buzdolapları gibi topraklanmamış yüzeylerle vücut temasından kaçının.** Vücudunuzun topraklanması halinde yüksek bir elektrik çarpması riski vardır.
- Elektrikli aletleri yağmura maruz bırakmayın veya ıslatmayın.** Elektrikli alete su girmesi elektrik çarpması riskini arttıracaktır.
- Elektrik kablosunu uygun olmayan amaçlarla kullanmayın.** Elektrikli aleti kesinlikle kablodan tutarak taşımayın, çekmeyin veya prizden çıkartmayın. Kabloyu sıcağtan, yağdan, keskin kenarlardan veya hareketli parçalardan uzak tutun. Hasarlı veya dolaşmış kablolar elektrik çarpması riskini artırır.
- Elektrikli bir aleti açık havada çalıştırıyorsanız, açık havada kullanıma uygun bir uzatma kablosu kullanın.** Açık havada kullanıma uygun bir kablodun kullanılması elektrik çarpması riskini azaltır.
- Eğer bir elektrikli aletin nemli bir bölgede çalıştırılması zorunluysa, bir artık akım aygıtı (RCD) korumalı bir kaynak kullanın.** Bir RCD kullanılması elektrik şoku riskini azaltır.

3) Kişisel güvenlik

- Elektrikli bir aleti kullanırken her zaman dikkatli olun, yaptığınız işe yoğunlaşın ve sağduyulu davranın.** Elektrikli bir aleti yorgunken veya ilaç ya da alkolün etkisi altındayken kullanmayın. Elektrikli aletleri kullanırken bir anlık dikkatsizlik ciddi kişisel yaralanmayla sonuçlanabilir.
- Kişisel koruyucu ekipmanları mutlaka kullanın.** Daima koruyucu gözlük takın. Koşullara uygun toz maskesi, kaymayan güvenlik ayakkabıları, baret veya kulaklık gibi koruyucu donanımların kullanılması kişisel yaralanmaları azaltacaktır.
- İstem dışı çalıştırılmasını önleyin.** Cihazı güç kaynağına ve/veya aküye bağlamadan, yerden kaldırmadan veya taşımadan önce düğmenin kapalı konumda olduğundan emin olun. Aleti, parmağınız düğme üzerinde bulunacak şekilde taşımak veya açık

konumdaki elektrikli aletleri elektrik şebekesine bağlamak kazaya davetiye çıkarır.

- Elektrikli aleti açmadan önce tüm ayarlama anahtarlarını çıkartın.** Elektrikli aletin hareketli bir parçasına takılı kalmış bir anahtar kişisel yaralanmaya neden olabilir.
- Ulaşmakta zorlandığınız yerlerde kullanmayın.** Daima sağlam ve dengeli basın. Bu, beklenmedik durumlarda elektrikli aletin daha iyi kontrol edilmesine olanak tanır.
- Uygun şekilde giyinin.** Bol elbiseler giymeyin ve takı takmayın. Saçınızı, elbiselerinizi ve eldivenlerinizi hareketli parçalardan uzak tutun. Bol elbiseler ve takılar veya uzun saç hareketli parçalara takılabilir.
- Eğer kullandığınız üründe toz emme ve toplama özellikleri olan ataşmanlar varsa bunların bağlı olduğundan ve doğru şekilde kullanıldığından emin olun.** Bu ataşmanların kullanılması toza ilgili tehlikeleri azaltabilir.

4) Elektrikli aletlerin kullanımı ve bakımı

- Elektrikli aleti zorlamayın.** Uygulamanız için doğru elektrikli aleti kullanın. Doğru elektrikli alet, belirlendiği kapasite ayarında kullanıldığında daha iyi ve güvenli çalışacaktır.
- Düğme açmıyor ve kapatmıyorsa elektrikli aleti kullanmayın.** Düğmeyle kontrol edilemeyen tüm elektrikli aletler tehlikelidir ve tamir edilmesi gerekmektedir.
- Herhangi bir ayarlama, aksesuar değişimi veya elektrikli aletlerin saklanması öncesinde fişi güç kaynağından çekin ve/veya aküyü aletten ayırın.** Bu tür önleyici güvenlik tedbirleri elektrikli aletin istem dışı olarak çalıştırılması riskini azaltacaktır.
- Elektrikli aleti, çocukların ulaşamayacağı yerlerde saklayın ve elektrikli aleti tanımayan veya bu talimatları bilmeyen kişilerin elektrikli aleti kullanmasına izin vermeyin.** Elektrikli aletler, eğitimsiz kullanıcıların elinde tehlikelidir.
- Elektrikli aletleri iyi muhafaza edin.** Hareketli parçalardaki hizalama hatalarını ve tutuklukları, parçalardaki kırılmalar ve elektrikli aletin çalışmasını etkileyebilecek tüm diğer koşulları kontrol edin. Hasarlı ise, elektrikli aleti kullanmadan önce tamir ettirin. Kazaların çoğu, elektrikli aletlerin bakımının yeterli şekilde yapılmamasından kaynaklanır.
- Kesim aletlerini keskin ve temiz tutun.** Bakımı uygun şekilde yapılmış keskin kesim uçlu kesim aletlerinin sıkışma ihtimali daha düşüktür ve kontrol edilmesi daha kolaydır.
- Elektrikli aleti, aksesuarlarını ve aletin diğer parçalarını kullanırken bu talimatları mutlaka uyun ve çalışma ortamının koşullarını ve yapılacak işin ne olduğunu göz önünde bulundurun.** Elektrikli aletin öngörülen işlemler dışındaki işlemler için kullanılması tehlikeli durumlara neden olabilir.

5) Servis

- a) **Elektrikli aletinizi, sadece orijinal yedek parçalarını kullandığınız yetkili DEWALT servisine tamir ettirin.** Bu, elektrikli aletin güvenliğinin muhafaza edilmesini sağlayacaktır.

Havali Kırıcılar için Ek Güvenlik Talimatları

- **Kulak koruması kullanın.** Gürültüye maruz kalınması, işitme kaybına yol açabilir.
- **Aletle birlikte verilen yardımcı tutamağı kullanın.** Kontrol kaybı yaralanmaya neden olabilir.
- **Kesim aletinin, gömülü elektrik kablolarına temas etmesini yol açabilecek durumlarda aleti izole edilmiş tutamaklarında tutun.** Elektrik akımı bulunan kablolarla temas, akımı elektrikli aletin "iletken" metal parçaları üzerinden kullanıcıya ileterek elektrik çarpmasına yol açacaktır.
- **İş parçasını stabil bir yüzeye sabitlemek ve desteklemek için kelepçe veya başka bir pratik yöntem kullanın.** İş parçasını el veya vücudunuzla tutmak dengesizdir ve kontrol kaybına neden olabilir.
- **Güvenlik gözlüğü veya başka bir göz koruması kullanın.** Kırma işlemlerinde bazı parçacıklar uçabilir. Uçuşan partiküller kalıcı göz zararına neden olabilir. Toza neden olan uygulamalar için bir toz maskesi veya solunum maskesi takın. Birçok uygulama için kulak koruması gerekebilir.
- **Aleti her zaman sıkıca kavrayın.** Bu aleti her iki elinizle de kavramadan kullanmaya kalkmayın. Yan tutamağın her zaman kullanılmasını önerilir. Bu aleti tek elle çalıştırmak, kontrol kaybıyla sonuçlanacaktır. Demir gibi sert malzemeleri delmeye çalışmak veya bunlarla karşılaşmak da tehlikeli olabilir. Yan tutamağı kullanmadan önce iyice sıkıştırın.
- **Bu aleti uzun süre çalıştırmayın.** Kırıcı hareketinin yarattığı titreşim el ve kollarınız için zararlı olabilir. Fazladan koruma amacıyla eldiven kullanın ve maruz kalmayı azaltmak için sık sık dinlenin.
- **Uçları kendiniz yenilemeyin.** Keski yenilemesi yetkili bir uzman tarafından yapılmalıdır. Uygun olmayan şekilde yenilenmiş keskiyer yaralanmalara neden olabilir.
- **Aleti çalıştırırken veya uçları değiştirirken eldiven kullanın.** Alet üstündeki ulaşılabilen metal parçalar ve uçlar çalışma sırasında çok fazla ısınabilir. Kırılan malzemelerin küçük parçaları çıplak ele zarar verebilir.
- **Ucu tam olarak durmadan elektrikli aleti asla yere koymayın.** Hareket eden uçlar yaralanmalara neden olabilir.
- **Sıkışmış parçaları yerinden çıkartmak için çekiçle vurmeyin.** Metal parçaları veya malzeme parçacıkları etrafa uçabilir ve yaralanmaya neden olabilir.
- **Hafif yıpranmış keskiyer bileyenerek ile yeniden keskinleştirilebilir.**
- **Güç kablosunu uçtan uzakta tutun.** Kabloyu vücudunuzun herhangi bir yerinde sarmayın. Dönen bir uç etrafına sarılan bir elektrik kablosu yaralanmalara ve kontrol kaybına neden olabilir.

UYARI: Bir kaçak akım cihazının 30mA veya daha az kaçık akımla kullanılmasını öneriyoruz.

Diğer Riskler

Aşağıdaki riskler havali kırıcı kullanmanın doğasında vardır:

- **Aletin dönen veya sıcak parçalarına dokunma sonucu yaralanma.**

İlgili güvenlik düzenlemelerinin uygulanması ve güvenilir cihazlarının kullanılmasına rağmen, bazı risklerden kaçınmak mümkün değildir. Bunlar:

- İşitme kaybı.
- Aksesuarları değiştirirken parmakların sıkışması riski.
- Beton ve/veya duvar üzerinde çalışırken oluşan tozları solumaktan kaynaklanan sağlık tehlikeleri.
- Sıçrayan parçacıklardan kaynaklanan yaralanma riski.
- Çalışma sırasında ısınan aksesuarlardan kaynaklanan yanık tehlikesi.
- Uzun süreli kullanımdan kaynaklanan yaralanma riski.

Elektrik emniyeti

Elektrik motoru sadece tek bir voltaj için tasarlanmıştır. Her zaman güç kaynağının, etiket plakasındaki voltajla aynı olup olmadığını kontrol edin.



DEWALT aletiniz EN60745 standardına uygun olarak çift yalıtımlıdır; bu nedenle, topraklama kablosuna gerek yoktur.



UYARI: 127 V birimler, birinci ve ikinci sargının arasında topraklama ızgarası bulunan arıza korumalı ayırma transformatörüyle kullanılmalıdır.

Kablo veya fişin değiştirilmesi durumunda alet sadece bir yetkili servis veya kalifiye bir elektrikli tarafından onarılabilir.

Fiş Değişimi (Orta Doğu ve Afrika)

Yeni bir fiş takılması gerekiyorsa:

- Eski fişi güvenli bir şekilde elinizden çıkarın.
- Kahverengi ucu fişin elektrik bulunan uca bağlayın.
- Mavi ucu nötr uca bağlayın.



UYARI: Topraklama ucuna hiçbir bağlantı yapılmamalıdır.

Kaliteli fişlerin yanında gelen takma talimatlarını takip edin.

Tavsiye edilen sigorta: 13A.

Uzatma kablosu kullanılması

Uzatma kablosu kullanılması gerekiyorsa bu aletin giriş gücüne (**teknik verilere** bakın) uygun onaylı bir 3 damarlı uzatma kablosu kullanın. Minimum iletken ebadı 1,5 mm²; maksimum uzunluk 30 m'dir.

Bir kablo makarası kullanırken, her zaman kabloyu tamamen makaradan çıkarın.

Ambalaj İçeriği

Ambalaj içeriğinde şunlar bulunmaktadır:

- 1 Havali kırıcı
- 1 Yan tutamak
- 2 Keski (Sadece D25892K-IN Versiyon için)
- 1 Kullanım kılavuzu
- Alet, parçalar ve aksesuarlarda nakliye sırasında hasar oluşup oluşmadığını kontrol edin.

- Çalıştırmadan önce bu kılavuzu iyice okuyup anlamak için zaman ayırın.

Alet Üzerindeki Etiketler

Alet üzerinde aşağıdaki semboller gösterilir:



Aletle çalışmaya başlamadan önce bu kılavuzu okuyun.



Kulaklık takın.



Koruyucu gözlük takın.

Tarih kodu konumu (Şek. [Fig.] A)

İmalat yılını da içeren Tarih Kodu **11** gövdeye basılıdır.

Örnek:

2018 XX XX

İmalat Yılı

Tanımlama (Şek. A)



UYARI: Hiçbir zaman elektrikli aleti veya herhangi bir parçasını değiştirmeyin. Hasarla veya yaralanmayla sonuçlanabilir.

- | | |
|---|---|
| 1 ON/OFF (Açık/Kapalı) çalıştırma düğmesi | 7 Kilitleme manşonu |
| 2 Yan tutamak | 8 Elektronik hız ve darbe kontrol kadranı |
| 3 Ön Namlu (Bilezik) | 9 DeWALT alet etiketi montaj delikleri |
| 4 Mod seçme çarkı | 10 Yan tutamak için montaj vidası |
| 5 Ana tutamak | 11 Tarih kodu |
| 6 Alet tutucu | |

Kullanım Alanı

Havali kırıcınız, profesyonel amaçlı kırma ve keskiyle parçalama uygulamaları için tasarlanmıştır.

Islak koşullarda veya yanıcı sıvı ya da gazların mevcut olduğu ortamlarda **KULLANMAYIN**.

Bu havali kırıcı profesyonel kullanım amaçlı bir elektrikli alettir.

Çocukların aleti ellemesine **İZİN VERMEYİN**. Bu alet deneyimsiz kullanıcılar tarafından kullanılırsa nezarret edilmelidir.

- Bu ürün fiziksel ve zihinsel kapasitesinin yanı sıra algılama gücü azalmış olan veya yeterince deneyim ve bilgisi bulunmayan kişiler (çocuklar dahil) tarafından kullanılmak üzere üretilmemiştir. Bu tür kişiler ürünü ancak güvenliklerinden sorumlu bir kişi tarafından cihazın kullanımıyla ilgili talimatların verilmesi veya sürekli kontrol altında tutulması durumunda kullanabilir. Çocuklar, bu ürün ile kontrol altında tutulmalıdır.

Aktif Titreşim Kontrol (AVC) Sistemi

En iyi titreşim kontrolü için aleti **Uygun El Pozisyonu**

bölümünde açıklandığı gibi tutun ve sadece ana tutamaktaki sönümlenme aleti yaklaşık orta darbe düzeyinde olacak şekilde yeterli basıncı uygulayın.

Aktif titreşim kontrolü dövme mekanizmasından gelen rezonans titreşimini ortadan kaldırır. El ve kol titreşimini azaltarak daha uzun süreli rahat kullanım sağlar ve ünitenin çalışma ömrünü uzatır.

Aktif titreşim önleminin devreye girmesi için kırıcıya sadece yeterli miktarda basınç uygulamak gerekir. Çok fazla basınç uygulamak aletin daha hızlı kırmanızı sağlamaz ve aynı zamanda aktif titreşim kontrolün devreye girmesine engel olur.

DeWALT Alet Etiketi Hazır (Şek. A)

İsteğe Bağlı Aksesuar

Çekicinizde DeWALT alet etiketi montaj delikleri **9** ve bir DeWALT Alet Etiketi takmak için bağlantı elemanları bulunur. Etiketi takmak için bir T20 matkap ucuna ihtiyacınız var. DeWALT Alet Etiketi, DeWALT Tool Connect™ uygulamasını kullanarak profesyonel elektrikli el aletleri, ekipman ve makineleri izlemek ve bulmak için tasarlanmıştır. DeWALT Alet Etiketin düzgün yerleştirilmesi için DeWALT Alet Etiketi kılavuzuna bakın.

Elektronik Hız ve Darbe Kontrol (Şek. A)

Elektronik hız ve darbe kontrolü, hassas yontma işlemi için en uygun alet kontrolünü sağlar.

Elektronik hız ve darbe kontrol kadranını **8** ayarlamak için kadranı istediğiniz seviyeye getirin. Rakam ne kadar yüksekse, hız ve darbe enerjisi o kadar yüksek olur. Kadran ayarları, aleti birçok farklı uygulama için son derece esnek ve uyarlanabilir hale getirir. Gerekli ayar, uç boyutuna ve yontulan malzemenin sertliğine bağlıdır.

- Hassas, yumuşak materyalleri keserken veya delerken veya minimum parçalanma gerektiğinde kadranı düşük ayara ayarlayın;
- Daha sert materyalleri keserken veya delerken kadranı yüksek ayara ayarlayın.

MONTAJ VE AYARLAMALAR



UYARI: Ciddi yaralanma riskini azaltmak için herhangi bir ayar yapmadan ya da parça veya aksesuarları söküp takmadan önce aleti kapatın ve güç kaynağından ayırın. Tetik düğmesinin kapalı konumda olduğunu kontrol edin. Aletin yanlışlıkla çalıştırılması yaralanmaya neden olabilir.

Yan Tutamak (Şek. B)



UYARI: Yaralanma riskini azaltmak için, **HER ZAMAN** aleti yan tutamak düzgün bir şekilde takılı haldeyken çalıştırın. Aksi takdirde çalışma sırasında yan tutamak kayabilir ve kontrol kaybına neden olabilir. Kontrolü mümkün olduğunca iyi sağlamak için aleti iki elinizle tutun.

Yan tutamak **2** dişli kutusunun ön kısmına kelepçelenir ve sol veya sağ elle kullanılabilmesi 360 derece döndürülebilir.

Yan Tutamak Düzeneğinin Takılması (Şek. B)

- Yan tutamak **10** vidasını saat yönünün tersine çevirerek yan tutamağın **2** halka açıklığını **12** genişletin.

2. Montaj parçasını, aletin burnunu çelik halka **12** ile havalı kırıcı üzerine koyarak alet tutucu ve manşonu geçen bilezik **3** üzerine getirin.
3. Yan tutamak düzeneğini istenilen konuma döndürün.
4. Yan tutamak montaj vidasını **10** saat yönünde döndürülerek montaj dönmeyecek şekilde sıkıştırın ve yan kol montaj takimini yerine sabitleyin.

Uç ve Uç Tutucusu

- UYARI:** Yanma Tehlikesi. Uçları değiştirirken **DAİMA** eldiven takın. Alet üstündeki ulaşılabilen metal parçalar ve uçlar çalışma sırasında çok fazla ısınabilir. Kırılan malzemelerin küçük parçaları çıplak ele zarar verebilir.
- UYARI:** Mandrenin ön kısmını tutup aleti çevirerek keski ucu (veya başka herhangi bir aksesuar) takmayı veya çıkarmayı denemeyin. Mandren hasarına ve yaralanmaya neden olabilir.

İstenen uygulamaya bağlı olarak bu havalı kırıcıya çeşitli keski uçları takılabilir. **Yalnızca keskin uçları kullanın.**

SDS MAX Uçların Takılıp Çıkarılması (Şek. C)

NOT: Takma öncesinde SDS düzeneğinin etrafında kullanılan aksesuar ve parçalar düzenli olarak yağlanmalıdır.

1. Kilitleme manşonunu **7** geri çekin ve uç şaftını takın. Uç şaftı temiz olmalıdır.
2. Manşon geri yerine oturana kadar şaftı hafifçe çevirin.
3. Ucu doğru şekilde takıldığından emin olun.
NOT: Uç, düzgün şekilde takıldığında, alet tutucusunun **6** içinde ve dışında birkaç santimetre hareket ettirebiliyor olmalıdır.
4. Ucu çıkarmak için kilitleme manşonunu geri çekin ve ucu çekerek dışarı çıkartın.

Uç Konumu Ayarı

Keskiyi istediğiniz konuma ayarlamak için, mod seçme birimini uç ayarlama simgesine çevirin (Bkz. **Mod Seçimi**). Keskinin açısını ayarlamak için birden fazla pozisyon mevcuttur.

NOT: İstenen konumu bulduktan sonra, keskinin düzgün bir şekilde takıldığından emin olmak için keski ucunu biraz ileri ve geri oynatın.

KULLANMA

Kullanma Talimatları

- UYARI:** Güvenlik talimatlarına ve geçerli düzenlemelere her zaman uyun.
- UYARI:** **Ciddi yaralanma riskini azaltmak için herhangi bir ayar yapmadan ya da parça veya aksesuarları söküp takmadan önce aleti kapatın ve güç kaynağından ayırın.** Tetik düğmesinin kapalı konumda olduğunu kontrol edin. Aletin yanlışlıkla çalıştırılması yaralanmaya neden olabilir.

Uygun El Pozisyonu (Şek. D)

- UYARI:** Ciddi yaralanma riskini azaltmak için, **DAİMA** şekilde gösterilen uygun el pozisyonunu kullanın.
- UYARI:** Ciddi yaralanma riskini azaltmak için, ani tepki ihtimaline karşı aleti **DAİMA** sıkıca tutun.

Doğru el pozisyonu bir el monte edilen yan tutamak **2**, diğer el ana tutamak **5** üzerinde olacak şekildedir.

Mod Seçimi (Şek. E)

- UYARI:** Çalışma modunu, alet çalışır durumdayken seçmeyin. Mod seçme düğmesini etkinleştirmeden önce alet tamamen durmalıdır; aksi takdirde alet zarar görebilir.

Aletinizde istediğiniz işlem için uygun çalışma modunu seçmek üzere bir mod seçme çarkı **4** bulunur.

Sembol	Mod	Uygulama
	Uç Ayarı	Keski ucu konum ayarı
	Kırma/ yontma	Hafif yontma, kesme ve yıkım amaçlı parçalama

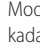
Bir mod seçmek için

- Mod seçme çarkını ok istenen moda ait sembolü gösterecek şekilde döndürün.

NOT: Mod seçme çarkındaki ok **4** daima bir mod simgesini göstermelidir. Arada başka çalışma pozisyonu yoktur.

Keski Konumunun İndekslenmesi (Şek. E)

Keski 24 farklı konumda indekslenip kilitlenebilir.

1. Mod seçim düğmesini **4**  konumunu gösterene kadar döndürün.
2. Keskiyi istenen konuma döndürün.
3. Mod seçme düğmesini **4** "Kırma/yontma" konumuna ayarlayın.
4. Keskiyi yerine oturana dek bükün.

Bir Uygulamanın Yürütülmesi (Şek. A, E)

- UYARI:** **KİŞİSEL YARALANMA RİSKİNİ AZALTMAK İÇİN, DAİMA** üzerinde çalışılan parçanın sıkıca sabitlendiğinden veya sıkıştırıldığından emin olun.

NOT: Bu aletin çalışma sıcaklığı -7 ila +40° C arasındadır. Aletin çalışma sıcaklık değerleri dışında kullanılması alet ömrünü kısaltır.

1. Uygun keskiyi yerleştirin ve istenen konuma kilitlemek için elle döndürün. Bkz. **Uç ve Uç Tutucu**.
2. Mod seçme çarkını **4** kullanarak yontma modunu seçin. Bkz. **Mod Seçimi**.
3. Yan tutamağı **2** gerektiği şekilde ayarlayın. Bkz. **Yan Tutamak Düzeneğinin Takılması**.
4. Keskiyi istenen konuma getirin.
5. ON/OFF (Açık/Kapalı) çalıştırma düğmesine **1** basın.
6. Çekici durdurmak için ON/OFF (Açık/Kapalı) çalıştırma düğmesini serbest bırakın.

BAKIM

DEWALT elektrikli aletiniz uzun süre boyunca minimum bakımla çalışmak üzere tasarlanmıştır. Aletin uzun süre boyunca verimli bir şekilde çalışması, uygun bakımın ve düzenli temizliğin yapılmasına bağlıdır.



UYARI: Ciddi yaralanma riskini azaltmak için herhangi bir ayar yapmadan ya da parça veya aksesuarları söküp takmadan önce aleti kapatın ve güç kaynağından ayırın. Tetik düğmesinin kapalı konumunda olduğunu kontrol edin. Aletin yanlışlıkla çalıştırılması yaralanmaya neden olabilir.



Yağlama

Bu aletin ilave yağlanmasına gerek yoktur.



Temizleme



UYARI: Havalandırma deliklerinde ve etrafında toz toplanması halinde bu tozu ve kiri kuru hava kullanarak ana gövdeden uzaklaştırın. Bu işlemi gerçekleştirirken onaylı bir göz koruması ve onaylı toz maskesi takın.



UYARI: Aletin metalik olmayan parçalarını temizlemek için asla çözücü veya başka sert kimyasal kullanmayın. Bu kimyasallar bu parçalarda kullanılan malzemeleri güçsüzleştirir. Yalnızca su ve yumuşak sabunla nemlendirilmiş bir bez kullanın. Aletin içine herhangi bir sıvının girmesine izin vermeyin; aletin herhangi bir parçasını bir sıvı içine daldırmayın.

İlave aksesuarlar



UYARI: DEWALT tarafından tedarik veya tavsiye edilenler dışındaki aksesuarlar bu ürün üzerinde test edilmediğinden, söz konusu aksesuarların bu aletle birlikte kullanılması tehlikeli olabilir. Yaralanma riskini azaltmak için bu ürünle birlikte sadece DEWALT tarafından tavsiye edilen aksesuarlar kullanılmalıdır.

Bir seçenek olarak çeşitli SDS MAX kesikleri mevcuttur. SDS MAX düzeneğinin etrafında kullanılan aksesuar ve parçalar düzenli olarak yağlanmalıdır.

Uygun aksesuarlarla ilgili daha fazla bilgi almak için satış noktalarıyla görüşün.

Çevrenin korunması



Ayrı toplama. Bu işaretlenmiş simgeyle ürün ve piller geri normal evsel atıklarla birlikte çöpe atılmamalıdır.

Bazı malzemeleri içeren ürün ve piller geri dönüştürülebilir veya geri kazanılabilir, bu da bazı hammaddeler için talebi azaltabilir. Lütfen elektrikli ürünleri ve pilleri yerel yasal mevzuata uygun şekilde geri dönüşüme tabi tutun. Daha ayrıntılı bilgiler www.2helpU.com adresinde mevcuttur.

Sanayi ve Ticaret Bakanlığı tebliğince kullanım ömrü 7 yıldır.

STANLEY Black & Decker TURKEY ALET ÜRETİM SAN. TİC. LTD.ŞTİ.

Kozyatağı Mh Değirmen Sk.

Nida Kule No:18 Kat:6

34742 Kadıköy

İstanbul, TÜRKİYE

Tel: +90 216 665 2900

Fax: +90 216 665 2901

DEWALT GARANTİ BELGESİ**İTHALATÇI FİRMA**

Ünvanı : STANLEY BLACK&DECKER TURKEY ALET ÜRETİM SAN. TIC. LTD.ŞTİ.
 Adresi : Kozyatagi Mh Degirmen Sk. Nida Kule No:18 Kat:6 34742
 Kadıköy, İstanbul, TURKEY
 Telefon no. : 0216 665 29 00
 Faks no : 216 665 29 01
 Email : info-tr@sbdinc.com

STANLEY BLACK&DECKER TURKEY
 ALET ÜRETİM SAN. VE TIC. LTD.ŞTİ.
 Kozyatagi Mh. Degirmen Sk. Nida Kule
 No:18 Kat:6 34742 Kavşuğu/İstanbul
 Tr. Tel: 0216 665 29 00 Faks: +90 216 665 29 01
 Erenköy VİD: 781 050 4548

ÜRÜNÜN

Cinsi :
 Markası : **DEWALT**
 Modeli :
 Seri Numarası :
 Garanti Süresi : 2 YIL
 Azami Tamir Süresi : 20 İŞ GÜNÜ

SATICI FİRMANIN

Ünvanı :
 Adresi :
 Telefon No. :
 Faks No. :
 Fatura Tarih ve No. :
 Ürün Teslim Tarihi :
 Ürün Teslim Yeri :
 Belgeyi Dolduranın Adı Soyadı :

Kaşe - Yetkili İmza**GARANTİ ŞARTLARI**

- Garanti süresi, malın teslim tarihinden itibaren başlar ve 2 yıldır.
- Malın bütün parçaları dahil olmak üzere tamamı firmamızın garantisi kapsamındadır.
- Malın ayıplı olduğunun anlaşılması durumunda tüketici, 6502 sayılı Tüketici Korunması Hakkında Kanununun 11 inci maddesinde yer alan;
 - Sözleşmeden dönme,
 - Satış bedelinden indirim isteme
 - Ücretsiz onarılmasını isteme
 - Satılanın ayıpsız bir misli ile değiştirilmesini isteme,
 haklarından birini kullanabilir.
- Tüketicinin bu haklardan ücretsiz onarım hakkını seçmesi durumunda satıcı; işçilik masrafı, değiştirilen parça bedeli ya da başka herhangi bir ad altında hiçbir ücret talep etmeksizin malın onarımını yapmak veya yaptırmakla yükümlüdür. Tüketici ücretsiz onarım hakkını üretici veya ithalatçıya karşı da kullanabilir.
 Satıcı, üretici ve ithalatçı tüketicinin bu hakkını kullanmasından müteselsilen sorumludur.
- Tüketicinin, ücretsiz onarım hakkını kullanması halinde malın;
 - Garanti süresi içinde tekrar arızalanması,
 - Tamiri için gereken azami sürenin aşılması,
 - Tamirinin mümkün olmadığının, yetkili servis istasyonu, satıcı, üretici veya ithalatçı tarafından bir raporla belirlenmesi
 durumlarında; tüketici malın bedel iadesini, ayıp oranında bedel indirimini veya imkan varsa malın ayıpsız misli ile değiştirilmesini satıcıdan talep edebilir.
 Satıcı, tüketicinin talebini reddedemez. Bu talebin yerine getirilmemesi durumunda satıcı, üretici ve ithalatçı müteselsilen sorumludur.
- Malın tamir süresi 20 iş gününü geçemez. Bu süre, garanti süresi içerisinde mala ilişkin arızanın yetkili servis istasyonuna veya satıcıya bildirim tarihi, garanti süresi dışında ise malın yetkili servis istasyonuna teslim tarihinden itibaren başlar. Malın arızasının 10 iş günü içerisinde giderilmemesi halinde, üretici veya ithalatçı; malın tamiri tamamlanıncaya kadar, benzer özelliklere sahip başka bir malı tüketicinin kullanımına tahsis etmek zorundadır. Malın garanti süresi içerisinde arızalanması durumunda, tamirde geçen süre garanti süresine eklenir.
- Malın kullanma kılavuzunda yer alan hususlara aykırı kullanılmasından kaynaklanan arızalar garanti kapsamı dışındadır.
 - Garanti kapsam şartları ;
 - Ürün hatalı kullanılmamıştır.
 - Ürün yıpranmamış, hırpalanmamış ve aşınmamıştır.
 - Yetkili olmayan kişilerce tamire çalışılmamıştır.
 - Satin alma belgesi (fatura) ibraz edilmiştir.
 - Ürün, tüm orijinal parçaları ile iade edilmiştir.
- Tüketici, garantiden doğan haklarının kullanılması ile ilgili olarak çıkabilecek uyuşmazlıklarda yerleşim yerinin bulunduğu veya tüketici işleminin yapıldığı yerdeki Tüketici Hakem Heyetine veya Tüketici Mahkemesine başvurabilir.
- Satıcı tarafından bu Garanti Belgesinin verilmemesi durumunda, tüketici Gümrük ve Ticaret Bakanlığı Tüketicinin Korunması ve Piyasa Gözetimi Genel Müdürlüğüne başvurabilir.

EEE Yönetmeliğine uygundur.

KULLANMA KILAVUZU İÇİN EK BİLGİLER

-Taşıma ve nakliye sırasında dikkat edilecek hususlar;
Cihazı taşıma ve nakliye esnasında hasar verecek şekilde taşınmamalı, bir yerden bir yere fırlatılmamalı, istifleme yapılırken dikkat edilmeli.

-Gümrük ve Ticaret Bakanlığı uyarınca belirlenen kullanım ömürleri aşağıdaki gibidir;

Testere Makineleri	7 yıl
Polisaj Makineleri	7 yıl
Matkaplar	7 yıl
Vidalama Makineleri	7 yıl
Zımpara Makineleri	7 yıl

-Malın ayıplı olduğunun anlaşılması durumunda tüketici, 6502 sayılı Tüketici Korunması Hakkında Kanununun 11 inci maddesinde yer alan;

- a- Sözleşmeden dönme,
 - b-Satış bedelinden indirim isteme
 - c-Ücretsiz onarılmasını isteme
 - d-Satılanın ayıpsız bir misli ile değiştirilmesini isteme,
- haklarından birini kullanabilir.

-Tüketici, garantiden doğan haklarının kullanılması ile ilgili olarak çıkabilecek uyuşmazlıklarda yerleşim yerinin bulunduğu veya tüketici işleminin yapıldığı yerdeki Tüketici Hakem Heyetine veya Tüketici Mahkemesine başvurabilir.

مطرقة تكسير عالية التحمل

D25872, D25892

تهانينا!

لقد اخترت أداة DEWALT، سنوات الخبرة التي تمتد خلالها عمليات تطوير المنتجات وابتكارها تجعل DEWALT من أكثر الشركاء الذين يمكن الاعتماد عليهم بالنسبة لمستخدمي الأدوات الآلية المحترفين.

البيانات الفنية

D25872	D25892	فولت يار ميبرد	
240-220	240-220	240	220
127	127	84	
1	1		
50/60	50/60	هرتز	
60	60	84	
1600	1700	وات	
-1350	-1105	ضربة لكل دقيقة	
2705	2210		
13,3	19,4	J	(EPTA 05/2009)
15,7	22,7	J	
SDS MAX	SDS MAX		
83	83	مم	
8,6	9,9	كجم	

التعريفات: تعليمات الأمان

تصف التعريفات التالية مستوى أهمية كل كلمة تحذيرية، يرجى قراءة الدليل والانتباه لتلك الرموز.

- ⚠️ **خطر:** تشير هذه الكلمة إلى وجود حالة خطر وشيكة، وإذا لم يتم تفاديها، فقد تؤدي إلى الوفاة أو الإصابة الجسيمة.
- ⚠️ **تحذير:** تشير هذه الكلمة إلى وجود حالة خطر محتملة، وإذا لم يتم تفاديها، فقد تؤدي إلى الوفاة أو الإصابة الجسيمة.
- ⚠️ **تنبيه:** تشير هذه الكلمة إلى وجود حالة خطر محتملة، وإذا لم يتم تفاديها، فقد تؤدي إلى حدوث إصابة بسيطة أو متوسطة.
- ⚠️ **ملاحظة:** تشير إلى ممارسة غير متعلقة بإصابة شخصية، إذا لم يتم تفاديها، فقد تؤدي إلى ضرر الممتلكات.
- ⚡️ **تشير إلى خطر حدوث صدمة كهربائية.**
- 🔥 **تشير إلى خطر نشوب حريق.**

⚠️ **تحذير:** لتقليل خطر حدوث الإصابات، يرجى قراءة دليل التعليمات.



تحذيرات الأمان العامة للأدوات الكهربائية

- ⚠️ **تحذير:** اقرأ جميع تحذيرات الأمان والتعليمات والإيضاحات والمواصفات الواردة مع هذه الأداة الكهربائية. إذ قد يؤدي عدم اتباع جميع الإرشادات إلى حدوث صدمة كهربائية وأو نشوب حريق وأو وقوع إصابة جسيمة.
- ⚠️ **احتفظ بجميع التحذيرات والتعليمات من أجل الرجوع إليها في المستقبل** يشير المصطلح «أداة كهربائية» في التحذيرات إلى الأداة الكهربائية التي تعمل بالطاقة الكهربائية (مزودة بسلك كهربائي) أو الأداة الكهربائية التي تعمل بالبطارية (غير مزودة بسلك كهربائي).

1) أمان منطقة العمل

- أ) احتفظ بمنطقة العمل نظيفة ومضاءة بطريقة جيدة. حيث أن المناطق المتكدسة بغير نظام أو المظلمة تؤدي إلى وقوع الحوادث.
- ب) لا تقم بتشغيل الأدوات الكهربائية في الأجواء المتفجرة، كأن يوجد بالمكان سوائل أو غازات أو غبار قابل للاشتعال. قد تؤدي الأدوات الكهربائية التي تحدث شرارات في اشتعال الأتربة أو الأبخرة.
- ج) أبق على الأطفال والأشخاص المشاهدين بعيداً أثناء تشغيل الأداة الكهربائية. فقد يؤدي تشتت الانتباه إلى فقدان سيطرتك.

2) السلامة الكهربائية

- أ) يجب أن يتوافق قابس الأداة الكهربائية مع مصدر التيار الكهربائي. لا تقم مطلقاً بإجراء تعديلات على القابس بأي طريقة. لا تستخدم قابس المحول مع الأدوات الكهربائية المؤرضة لمر تأريضها. حيث ستقلل المقابس غير المعدلة ومصادر التيار الكهربائي المتطابقة من خطر حدوث صدمة كهربائية.
- ب) تجنب ملامسة الجسم مع الأسطح الأرضية أو المؤرضة كالأثاث والمشعاع والموقد والثلاجات. حيث يوجد خطر متزايد من حدوث صدمة كهربائية إذا كان جسدك مؤرضاً أو ثابتاً على الأرض.
- ج) لا تعرض الأدوات الكهربائية للمطر أو البلل. إذ سيؤدي الماء الذي يدخل الأداة الكهربائية إلى زيادة خطر حدوث صدمة كهربائية.
- د) لا تستخدم الكابل بطريقة خاطئة. لا تستخدم مطلقاً السلك من أجل حمل الأشياء أو سحبها أو لنزع قابس الأداة الكهربائية. أبعد السلك عن الحرارة أو الزيوت أو الحواف الحادة أو الأجزاء المتحركة. إذ تزيد الأسلاك التالفة أو المتشابكة من خطر حدوث صدمة كهربائية.
- هـ) عند تشغيل الأداة الكهربائية خارج المنزل، استخدم سلك استطالة ملائم للاستخدام في الأماكن الخارجية. حيث إن استخدام السلك الملائم للاستخدام الخارجي يقلل من خطر حدوث الصدمة الكهربائية. إذا لم يكن هناك مفر من تشغيل الأداة الكهربائية في أحد الأماكن الرطبة، فاستخدم مصدر إمداد محمي بجهاز قاطع الدورة (RCD)، استخدم جهاز التيار المتبقي يقلل من حدوث الصدمة الكهربائية.

3) السلامة الشخصية

- أ) ابق حذراً وراقب ما تقوم بفعله واستعن بالحواس العامة عند تشغيل الأداة الكهربائية. لا تستخدم الأداة الكهربائية عندما تكون متعباً أو تحت تأثير المخدرات أو الكحول أو الأدوية. قد تؤدي أي لحظة من السهو أثناء تشغيل الأدوات الكهربائية إلى حدوث إصابة جسدية جسيمة.
- ب) استخدم معدات الوقاية الشخصية. قرر موماً بارتداء واقي العينين. إذ أن استخدام معدات الوقاية مثل كمامات الأتربة، وأحذية الأمان المانعة للانزلاق، والخوذة الصلبة، أو واقي الأذن للحالات ذات الصلة سيقبل من الإصابات الشخصية.
- ج) تجنب التشغيل العرضي. تأكد من أن المفتاح في وضع إيقاف التشغيل قبل التوصيل بمصدر الطاقة، و/أو مجموعة البطارية، أو التقاط أو حمل الأداة. حيث قد يؤدي حمل الأدوات الكهربائية أثناء وجود إصبعك على المفتاح أو إمداد الأدوات الكهربائية التي يكون مفتاحها بوضع التشغيل بالكهرباء إلى وقوع الحوادث.
- د) قرر بإخراج أي مفتاح ضبط أو مفتاح ربط قبل تشغيل الأداة الكهربائية. فقد يؤدي ترك مفتاح الربط أو المفتاح بالجانب الدوار بالأداة الكهربائية إلى حدوث إصابة شخصية.
- هـ) تجنب مد يدك بعيداً بالجهاز. حافظ على ثبات موضع قدمك والتوازن في المواقف الفجائية.

- ارتد ملابس مناسبة. تجنب ارتداء ملابس أو مجوهرات فضفاضة. أبعاد الشعر والملابس والقفازات عن الأجزاء المتحركة. فقد تحترق الملابس أو المجوهرات الفضفاضة أو الشعر الطويل في الأجزاء المتحركة.
- في حال توفير الأجزاء للتوصيل بوسائل استخلاص وتجميع الأتربة، فتأكد من توصيلها واستخدامها بطريقة صحيحة. حيث أن تجميع الأتربة قد يؤدي إلى تقليل المخاطر المتعلقة بالأتربة.
- **4) استخدام الأداة الكهربائية والعناية بها**
 - أ) لا تتعامل بالقوة مع الأداة الكهربائية. استخدم الأداة الكهربائية الملائمة لغرض الاستخدام الخاص بك. حيث ستجرب الأداة الكهربائية الملائمة المهمة بشكل أفضل وأكثر أماناً عند المعدل الذي صممت من أجله.
 - ب) لا تستخدم الأداة الكهربائية إذا كان المفتاح لا يقوم بالتشغيل وإيقاف التشغيل. حيث تشكل أي أداة كهربائية لا يمكن التحكم فيها بواسطة المفتاح خطورة ويجب إصلاحها.
 - ج) قم بفصل القابس من مصدر الطاقة و/أو مجموعة البطارية، إذا كانت قابلة للفصل، من الأداة الكهربائية قبل إجراء أي عمليات ضبط أو تغيير ملحقات أو تعزيب الأداة الكهربائية. تقطع إجراءات السلامة الوقائية هذه من خطر تشغيل الأداة الكهربائية بشكل فجائي.
 - د) قم بتخزين الأدوات الكهربائية المتوقفة عن العمل بعيداً عن متناول الأطفال ولا تدع الأشخاص غير الملمين بالأداة الكهربائية أو بهذه التعليمات يقومون بتشغيل الأداة الكهربائية. إذ تعد الأدوات الكهربائية مصدر خطورة في أيدي المستخدمين غير المدربين على استخدامها.
 - هـ) حافظ على الأدوات الكهربائية والملحقات. افحص للتحري عن أي محاذرة غير صحيحة أو تعزيب للأجزاء المتحركة، أو كسر بالأجزاء وأي حالات أخرى قد تؤثر على تشغيل الأداة الكهربائية. وفي حال وجود تلف، قم بإصلاح الأداة الكهربائية قبل الاستخدام. حيث يرجع سبب وقوع العديد من الحوادث إلى الصيانة السيئة للأدوات الكهربائية.
 - و) حافظ على أدوات القطع في حالة حادة ونظيفة. حيث أن أدوات القطع التي تمر صيانتها بطريقة صحيحة ومزودة بحواف قطع حادة تتعرض بشكل أقل للالتصاق ويسهل التحكم بها على نحو أكبر.
 - ز) استخدم الأداة الكهربائية والملحقات ولقمر الأداة وما شابه ذلك وفقاً لهذه التعليمات مع الأخذ في الاعتبار ظروف التشغيل والعمل المراد تنفيذها. إذ أن استخدام الأداة الكهربائية لعمليات مختلفة عن تلك العمليات المخصصة لها قد يؤدي إلى حالة خطيرة.
- **5) الخدمة**
 - أ) قم بصيانة الأداة الكهربائية الخاصة بك على يد فني إصلاح مؤهل وذلك من خلال استخدام أجزاء بديلة متطابقة فقط. حيث سيضمن ذلك الحفاظ على أمان الأداة الكهربائية.

- امسك الأداة بإحكام الأداة في كل الأوقات. ولا تحاول تشغيل هذا الأداة بدون إمساكها بلكتا اليمين. كما يُوصى باستخدام المقبض الجانبي في جميع الأوقات. إذا أن تشغيل هذه الأداة بيد واحدة سيؤدي إلى فقدان التحكم. كما أن اختراق المواد الصلبة أو مصادفتها كالحديد قد يصبح من الأمور الخطيرة أيضاً. فمر بإحكام ربط المقبض الجانبي جيداً قبل الاستخدام.
- لا تقم بتشغيل هذه الأداة لفترات زمنية طويلة. فقد يؤدي الاهتزاز الناجم عن تشغيل المطرقة إلى إحاق الأذى باليدين والذراعين. استخدم القفازات لتلطيف الصدمات وقلل من التعرض لها بأخذ فترات راحة متكررة.
- لا ترمز اللقمات بنفسك. يجب إجراء ترميم الإزميل من قبل متخصص معتمد. فقد تؤدي عمليات الترميم غير المناسبة للإزميل في حدوث إصابة.
- ارتد القفازات عند تشغيل الأداة أو تغيير اللقمات. قد تصبح الأجزاء المعدنية المكشوفة في الأداة واللقمات ساخنة للغاية أثناء التشغيل. وقد تؤدي اللقمات الصغيرة الناتجة عن المواد المكسرة إلى إصابة اليدين.
- لا تضع الأداة الكهربائية مطلقاً على أي سطح حتى تتوقف اللقمة تماماً عن الحركة. قد تسبب اللقمات المتحركة في حدوث إصابة.
- لا تقم بالطرق على اللقمات المنحشرة باستخدام مطرقة لإخراجها. فقد تسبب الشظايا المعدنية أو الرقائق المعدنية عند خلعها في حدوث إصابة.
- يمكن إعادة شحذ الزماليين البالية قليلاً بواسطة التجليخ.
- أبعاد سلك الطاقة عن اللقمة. ولا تقم بلف السلك حول أي جزء من جسمك. فقد يؤدي السلك الكهربائي الملفف حول اللقمة الدوارة إلى حدوث إصابة شخصية وفقدان التحكم.



تحذير: نوصي باستخدام جهاز قاطع الدوارة مع ضبط قطع الدوارة على 30 مللي أمبير أو أقل.

المخاطر المتبقية

تعتبر المخاطر التالية متأصلة في استخدام مطارق التكمير:

- الإصابات الناجمة عن ملامسة الأجزاء الدوارة أو الأجزاء الساخنة من الأداة.
- رغم تطبيق تعليمات السلامة ذات الصلة والتزود بأجهزة الأمان، إلا أنه لا تزال هناك مخاطر معينة لا يمكن تفاديها. ومن هذه المخاطر:
- ضعف السمع.
- خطر التعرض لتعاصر الأصابع عند تغيير الملحق.
- المخاطر الصحية الناجمة عن استنشاق الأتربة الناشئة عند العمل في الخرسانة و/أو الأتربة.
- خطر التعرض للإصابة الشخصية بسبب الجسيمات المتطايرة.
- خطر التعرض للحروق بسبب سخونة الملحقات أثناء التشغيل.
- خطر التعرض لإصابة شخصية بسبب الاستخدام المطول.

السلامة الكهربائية

تم تصميم المحرك الكهربائي لتحمل جهد كهربائي واحد فقط. تأكد دوماً من أن مصدر إمداد الطاقة مطابق للجدد الكهربائي المبين على لوحة التصنيف.

تم تزويد الأداة الخاصة بك من DEWALT بحازل مزدوج طبقاً لمعيار EN60745، لذا لا حاجة للسلك الأرضي.



تحذير: يجب تشغيل الوحدات بقدرة 127 فولت من خلال محول العزل الآمن من التعطل مع شاشة الأرضي بين اللغات الرئيسية وغير الرئيسية.

في حالة استبدال السلك أو القابس في الأداة، يجب أن تتم عملية الإصلاح من قبل مركز خدمة معتمد أو فني مؤهل.

استبدال قابس التيار الرئيسي (الشرق الأوسط وإفريقيا)

- إذا استدعت الضرورة تركيب قابس تيار رئيسي، فقم بالتالي:
- تخلص بأمان من القابس القديم.

الاستخدام المقصود

صُممت مطرقة التكمير لأغراض استخدامات الحفر والتكمير الاحترافي.

لا تستخدم في ظل الأحوال الجوية الممطرة، أو في وجود السوائل أو الغازات القابلة للاشتعال.

مطرقة التكمير هذه هي أداة احترازية تعمل بالكهرباء.

لا تدع الأطفال يلعبون بالأداة. يكون الإشراف أمرًا ضروريًا عندما يقوم مشغل قليل الخبرة باستخدام هذه الأداة.

- هذا المنتج غير مخصص للاستخدام من قبل الأفراد (بما في ذلك الأطفال) الذين يعانون من قصور في القدرات الجسدية أو الحسية أو العقلية، وقلة الخبرة أو المعرفة أو المهارات ما لم يكونوا تحت إشراف من يتحمل مسؤولية سلامتهم. لا ينبغي أن يُترك الأطفال وحدهم مع هذا المنتج.

نظام التحكم في الاهتزاز النشط (AVC)

للحصول على أفضل تحكم في الاهتزاز، احمل الأداة كما هو موصوف في **الوضع الأمثل للأيدي** واضغط بشكل كاف بحيث يكون جهاز التثبيت على المقبض الرئيسي تقريبًا في منتصف الطرق.

يعمل التحكم الفعال في الاهتزاز على تحييد اهتزاز الارتداد الناتج عن المطرقة. ويتيح خفض اهتزاز اليدين والذراعين استخدامًا مريحًا بشكل أكبر لفترة زمنية أطول ويقلل عمر الوحدة.

تحتاج المطرقة فقط إلى ضغط كافي للتحكم بشكل فعال في الاهتزاز. ولن ينتج عن الضغط المفرط للغاية جعل الأداة تقوم بالتكمير بسرعة أو التحكم بشكل فعال في الاهتزاز.

أداة DEWALT جاهزة (الشكل A)

الملحقات الاختيارية

تأتي المطرقة مع تقويع تثبيت أداة 9 DEWALT ومثبتات لتثبيت أداة DEWALT. تحتاج إلى طرف T20 لتثبيت الأداة. تم تصميم أداة DEWALT لتعقب وتحديد موقع أدوات الطاقة والمعدات والألات التي تستخدم تطبيق DEWALT Tool Connect™. من أجل الاستخدام الأمثل لأداة DEWALT، ارجع إلى دليل استخدام أداة DEWALT.

التحكم في السرعة والتأثير الإلكتروني

(الشكل A)

- يتيح التحكم في السرعة والتأثير الإلكتروني التحكم الأمثل في الأداة من أجل دقة الحفر. لإعداد قرص التحكم في السرعة والتأثير الإلكتروني 8، أدر القرص إلى المستوى المطلوب. كلما كان الرقم أعلى، كلما كانت طاقة التأثير والسرعة أكبر. تجعل إعدادات القرص الأداة مرنة بشكل كبير وقابلة للاستخدام في عدة تطبيقات مختلفة. يعتمد الإعداد المطلوب على حجم اللقمة وصلابة المادة التي يتم قطعها.
- عند نحت المواد الهشة والرقيفة أو عندما يُراد تكسر أقل قدر ممكن، اضبط القرص على إعداد منخفض؛
- عند تكسير مواد أكثر صلابة، قم بإعداد القرص على إعداد عالٍ.

عمليات التجميع والضغط

تحذير: لتقليل خطر التعرض للإصابة الشخصية الجسيمة، قم بإيقاف تشغيل الأداة وفصلها من مصدر الطاقة قبل إجراء أي عمليات ضبط، أو إزالة/تركيب الملحقات أو الإسكوارات. تأكد من أن مفتاح التشغيل في وضع OFF (إيقاف التشغيل). قد يؤدي بدء التشغيل غير المقصود إلى حدوث إصابة.

المقبض الجانبي (الشكل B)

تحذير: للحد من خطر الإصابة الشخصية، قم بتشغيل الأداة **دائمًا** بعد تثبيت المقبض الجانبي بشكل محكم. عدم الالتزام بفعل ذلك قد يؤدي إلى انزلاق المقبض الجانبي أثناء عمل الأداة وبالتالي فقدان التحكم. قم بإمسك الأداة بكلتا اليدين لزيادة القدرة على التحكم.

يتم تثبيت المقبض الجانبي 2 بمقدمة علبة التروس ويمكن تدويره بزاوية 360 درجة للسماح باستخدامه باليد اليمنى أو باليد اليسرى.

- قم بتوصيل السلك البني بطرف التوصيل النشط في القابس.
- قم بتوصيل السلك الأزرق بطرف التوصيل المحايد.
- **تحذير:** لا يتم إجراء أي توصيل بطرف التوصيل الأرضي.



قم باتباع التعليمات الواردة مع القوايس ذات الجودة العالية المنصهر الموصى باستخدامه: 13 أمبير.

استخدام كابل الاستطالة

إذا استدعت الضرورة استخدام كابل استطالة، فاستخدم كابل استطالة معتمد ملائم لدخل طاقة هذه الأداة، (انظر **البيانات الفنية**). الحد الأدنى لحجم الموصل هو 1.5 مم² الطول الأقصى هو 30 م.

عند استخدام بكرة الكابل، قم دوماً بفك الكابل تمامًا.

محتويات العبوة

تحتوي العبوة على ما يلي:

- 1 مطرقة تكسير
- 1 مقبض جانبي
- 2 إزميل (في الإصدار D25892K فقط)
- 1 دليل التعليمات
- افحص بحثًا عن أي تلف لحق بالأداة أو الأجزاء أو الملحقات يمكن أن يكون قد حدث أثناء النقل.
- خذ الوقت اللازم لقراءة هذا الدليل وافهمه جيدًا قبل التشغيل.

علامات على الأداة

الصور التالية موضحة على الأداة:



اقرأ دليل التعليمات قبل الاستخدام.



قم بارتداء واقيات الأذن.



قم بارتداء واقيات العين.

وضع كود التاريخ (الشكل A)

كود التاريخ 11 الذي يتضمن كذلك عام التصنيع، مطبوع في الغلاف. مثال:

2018 XX XX

سنة التصنيع

الوصف (الشكل A)

تحذير: لا تقم مطلقاً بتعديل الأداة الكهربائية أو أي جزء منها. فقد ينجر عن ذلك التلف أو الإصابة الشخصية.

- 1 مفتاح التشغيل/ إيقاف التشغيل
- 2 مقبض جانبي
- 3 أنبوب أمامي (طوق)
- 4 قرص تحديد الوضع
- 5 المقبض الرئيسي
- 6 حامل الأداة
- 7 كمر الإغلاق
- 8 قرص التحكم في السرعة والتأثير الإلكتروني
- 9 تقويع تركيب أداة DEWALT
- 10 برغي تركيب المقبض الجانبي
- 11 كود البيانات

الأداة الخاصة بك مزودة بقرص تحديد الوضع 4 لتحديد الوضع المناسب للتشغيل المطلوب.

الرمز	الوضع	الاستخدام
	تعديل اللقمة	تعديل وضع لقمة الإزميل
	الطرق / التفسير	التفسير الخفيف والحفر والهدم

لتحديد وضع

• قرص بتدوير قرص تحديد الوضع بحيث تشير نقاط السهم إلى الرمز الملائم للوضع المطلوب.

ملاحظة: يجب أن يشير السهمان الموجودان بقرص تحديد الوضع 4 إلى رمز الوضع في جميع الحالات، فلا توجد بينهما أي أوضاع قابلة للتشغيل.

فهرسة وضع الإزميل (الشكل E)

يمكن فهرسة الإزميل وقلعه في 24 موضعًا مختلفًا.

1. قرص بلف مفتاح محدد الوضع 4 حتى يُشير نحو 0 الموضع .
2. أدر الإزميل إلى الموضع المرغوب.
3. اضبط مفتاح محدد الوضع 4 على وضع "الطرق/التفسير فقط".
4. قرص بلف الإزميل حتى يُغلق في الموضع.

تنفيذ الاستخدام (الشكلان A و E)

تحذير: للحد من خطر الإصابة الشخصية، تأكد دائمًا من ربط قطعة العمل أو تثبيتها بإحكام.

ملاحظة: تتراوح حرارة تشغيل الأداة من 7 إلى +40 درجة مئوية. استخدام الأداة خارج معدل درجات الحرارة هذه سوف يقلل من عمر الأداة.

1. أدخل الإزميل المناسب وقرص بتدويره باليد لإقفاله في الوضع المطلوب. راجع اللقمة وحامل اللقمة.
2. باستخدام قرص تحديد الوضع 4، حدد وضع التفسير. راجع تحديد الوضع.
3. قرص ضبط المقبض الجانبي 2 حسب المطلوب. راجع تركيب المقبض الجانبي.
4. ضع الإزميل في الموقع المطلوب.
5. حرر مفتاح التشغيل/إيقاف التشغيل 1.
6. وإيقاف تشغيل المطرقة، حرر مفتاح التشغيل/إيقاف التشغيل.

الصيانة

تم تصميم الأداة الكهربائية DEWALT الخاصة بك للعمل خلال فترة زمنية طويلة مع أدنى حد من الصيانة. يعتمد التشغيل المرضي المتواصل على العناية الملائمة بالأداة وتنظيفها بشكلٍ منتظم.

تحذير: لتقليل خطر التعرض للإصابة الشخصية الجسيمة، قرص إيقاف تشغيل الأداة وفصلها من مصدر الطاقة قبل إجراء أي عمليات ضبط، أو إزالة/تركيب الملحقات أو الإكسسوارات. تأكد من أن مفتاح التشغيل في وضع OFF (إيقاف التشغيل)، قد يؤدي بدء التشغيل غير المقصود إلى حدوث إصابة.



التشحيم

لا تحتاج الأداة الكهربائية الخاصة بك إلى أي تشحيم إضافي.



التنظيف

تحذير: قرص بلفخ الأتربة والغبار خارج التجويف الرئيسي بواسطة الهواء الجاف عدد أكبر من المرات في حال مشاهدة تجمع الأتربة بداخل

تركيب المقبض الجانبي (الشكل B)

1. قرص بتوسعة فتحة الحلقة 12 الخاصة بالمقبض الجانبي 2 من خلال تدوير البرغي لتركيب المقبض الجانبي 10 باتجاه عكس عقارب الساعة.
2. قرص بتحريك المجموعة داخل أنف الأداة عبر الحلقة الفولاذية 12 وداخل الطوق 3 حتى تصل إلى حامل الإزميل والكر.
3. قرص بتدوير مجموعة المقبض الجانبي إلى الوضع المطلوب.
4. قرص بإقفال مجموعة المقبض الجانبي المركبة في موضعها من خلال إحكام ربط البرغي لتركيب لمقبض الجانبي 10 وتدويرها باتجاه عقارب الساعة بحيث لا يكون هناك مجال لدوران المجموعة.

اللقمة وحامل اللقمة

تحذير: خطر الحرق، ارتد دائمًا قفازات عند تغيير اللقمة. قد تصبح الأجزاء المعدنية المكشوفة في الأداة واللقمة ساخنة للغاية أثناء التشغيل. وقد تؤدي اللقمة الصغيرة الناتجة عن المواد المكسرة إلى إصابة اليدين.

تحذير: لا تحاول إحكام ربط أو فك لقمة الثقب (أو أي ملحقات أخرى) من خلال الإمساك بالجزء الأمامي لقابض لقم المثقب وقد ينجم عن ذلك إصابة شخصية. ذلك إلى تلف قابض لقم المثقب وقد ينجم عن ذلك إصابة شخصية.

يمكن تركيب لقمة الأزاميل المختلفة مع مطرقة التفسير حسب الاستخدام المطلوب.

استخدم اللقمة الحادة فقط.

إدخال وإزالة ملحقات لقم SDS MAX (الشكل C)

ملاحظة: يجب تشحيم الكماليات والملحقات المستخدمة حول معدة SDS قبل التثبيت.

1. قرص بسحب كمر الإغلاق 7 للخلف وأدخل ساق اللقمة. يجب أن تكون ساق اللقمة نظيفة.
 2. قرص بلف اللقمة قليلاً حتى يستقر الكمر للخلف في الموضع الصحيح.
 3. تأكد من إدخال اللقمة بالشكل المناسب.
- ملاحظة:** تحتاج اللقمة إلى التحرك عدة سنتيمترات داخل وخارج حامل الأداة 6 عند إدخالها بالشكل المناسب.
4. لإزالة اللقمة، قرص بسحب كمر الإغلاق للخلف واسحب اللقمة للخارج.

تعديل وضع اللقمة

قرص بلف مُحدد الوضع الموجود بأيقونة تعديل اللقمة (راجع تحديد الوضع) لضبط الإزميل على الوضع المطلوب. هناك عدة أوضاع لضبط زاوية الإزميل.

ملاحظة: بعد العثور على الوضع المطلوب، قرص بتحريك مطرقة التفسير برفق للخلف وللأمام لضمان استقرار الإزميل في المكان المناسب.

تعليمات الاستخدام

تحذير: التزم دومًا بتعليمات الأمان واللوائح المعمول بها.

تحذير: لتقليل خطر التعرض للإصابة الشخصية الجسيمة، قرص بإيقاف تشغيل الأداة وفصلها من مصدر الطاقة قبل إجراء أي عمليات ضبط، أو إزالة/تركيب الملحقات أو الإكسسوارات. تأكد من أن مفتاح التشغيل في وضع OFF (إيقاف التشغيل)، قد يؤدي بدء التشغيل غير المقصود إلى حدوث إصابة.

الوضع اليدوي الصحيح (الشكل D)

تحذير: لتقليل خطر حدوث الإصابة الشخصية الجسيمة، استخدم دومًا الوضع اليدوي الملائم كما هو موضح.

تحذير: لخفض خطر التعرض للإصابة الجسدية الجسيمة،

يتطلب وضع اليد بشكل ملائم استخدام يد واحدة على المقبض الجانبي الذي تم تركيبه 2، مع وجود اليد الأخرى على المقبض الرئيسي 5.

تحديد الوضع (الشكل E)

تحذير: لا تختز وضع التشغيل عندما تكون الأداة تعمل. يجب إيقاف الأداة تمامًا قبل تشطيب زر مُحدد الوضع، وإلا فقد يحدث تلف بالأداة.

المنافذ الهوائية وحولها. قم بارتداء واقي العين المعتمد وكمامة الأتربة المعتمدة عند تنفيذ هذا الإجراء.

تحذير: لا تقم مطلقًا باستخدام مذيبات أو أي مواد كيميائية قاسية أخرى لتنظيف الأجزاء غير المعدنية بالأداة. إذ قد تضعف هذه المواد الكيميائية من المواد المستخدمة في هذه الأجزاء. استخدم قطعة قماش مبللة بالماء والصابون الخفيف فقط. لا تسمح قط بدخول أي سائل إلى الأداة، ولا تقم مطلقًا بغمر أي جزء من الأداة في السائل.



الملحقات الاختيارية

تحذير: نظرًا لأن الملحقات، بخلاف تلك التي اعتمدها DeWALT، لم تخضع للاختبار مع هذا المنتج، فإن استخدام مثل هذه الملحقات مع الأداة قد يشكل خطورة. لتقليل خطر وقوع إصابة، يجب استخدام ملحقات DeWALT الموصى بها فقط مع هذا المنتج.



الأنواع المتنوعة لأزاميل SDS MAX متوفرة كتجهيزات اختيارية. الكماليات والملحقات المستخدمة يجب تشحيمها بشكل دوري حول تركيبة SDS MAX. استشر وكيلك لمعرفة المزيد من المعلومات حول الملحقات الملائمة.

حماية البيئة

التجميع المنفصل. يجب عدم التخلص من المنتجات والبطاريات المحددة بهذا الرمز من خلال القمامة المنزلية العادية. فهذه المنتجات والبطاريات تحتوي على مواد يمكن استعادتها أو إعادة تدويرها لخفض الطلب على المواد الخام. الرجاء التخلص من المنتجات الكهربائية والبطاريات وفقًا للقوانين المحلية. توجد معلومات إضافية متوفرة على الموقع



www.2helpU.com

Afghanistan	Ariana Hafiz Zabi Co. Ltd. Dahan Bagh Squire Karte Ariana, Kabul, Afghanistan	info@arianahafiz.com	Tel: 93-0-799331079 Fax: 93-0-70000576 / 93-0-799331079
Algeria	Sarif Outilage Corporation 08, Rue Med Boudiaf (ex TELLA Achen) Cheraga, Alger	hakim.merdjadi@outilage-dz.com lyes@outilage-dz.com Mali.faiza@outilage-dz.com; sidahmed@outilage-dz.com	Tel: 213-0-21375130 213-0-21375131 Fax: 213-0-21369667
Angola	Angoferraria, Lda. Rua Robert Shields, nº 61, Luanda, Angola	angoferraria@gmail.com sequeira.angoferraria@gmail.com	Tel: 244-222-395837 / 244-222-395034 Fax: 244-222-394790
Azerbaijan	Royalton Holdings Ltd. 41 Khagani St. Apt. 47 AZ1001 Baku- Azerbaijan	jai@royaltonholdings.com office@royaltonholdings.com	Tel: 994-12-4935544 Fax: 994-12-5980378
Egypt	ElFarab S.A.E. 15-Nabil El Wakkad Street, Dokki, Giza, Egypt	elfarab@elfarab.com adel.ezzat@elfarab.com mahmoud.elhosseiny@elfarab.com	Tel: 202-37603946 Fax: 202-33352796
Ethiopia	Seif Tewfik Sherif Arada Sub City, Kebele 01/02, Global Insurance Bldg., 2nd Flr., Room 43, P.O. Box 2525, Addis Ababa	seif@ethionet.et nawanag@ethionet.et	Tel: 251-11-1563968 251-11-1563969 Fax: 251-11-1558009
Iraq	Al-Sard Co. for General Trading Ltd Jbara Bldg. 3Flr. Al Rasheed St., Baghdad, Iraq	dewalt.service@yahoo.com	Tel: 964-18184102
Jordan	Amman West Stores-Bschiti 210 Garden St. Tla'a Ali, P.O. Box 1564 Tla Ali Amman 11953, Jordan	ali@bashitstores.com yousef@bashitstores.com	Tel: 962-6-5350009 Fax: 962-6-5350012
Kenya	Dextron Tools Ltd. P.O. Box 20121-00200, Shariff House, Kimathi Street, Nairobi	info@alibhaishariff.co.ke dextron@alibhaishariff.co.ke	Tel: 254-20-6905000 254-20-2358021 Fax: 254-20-6905111 / 254-20-6905112
Lebanon	Est. Shaya & Azar S.A.R.L. Boulevard Jdeideh - Mar Takla - Bouchrieh . P.O. Box 90545, Jdeideh. Beirut - Lebanon	shayazar@dm.net.lb	Tel: 961 1 872305 961 1 872306 Fax: 961 1 872303
Libya	North Africa Trading (El Ghoul Brothers) P.O. Box 348, 7 October Street 11 Benghazi	maryam_farooq2003@yahoo.com nagte@eim.ae dewalt_libya@yahoo.com	Tel: 218-061-3383994 Fax: 218-092-7640688
	North Africa Trading (El Ghoul Brothers) AlBarniq DeWALT Center, Mokhazin-elsukar St. ElFallah, Tripoli	dewalt_libya@yahoo.com	Tel: 218-021-3606430 Fax: 218-092-6514813
	North Africa Trading (El Ghoul Brothers) AlHilal Service Center Tawergha St., Misurata		Tel: 218-091-3221408
Mauritius	Robert Le Marie Limited Old Moka Road, Bell Village, P.O. Box 161, Port Louis	a.blackburn.rlm@ringroup.mu jm.pierelouis.rlm@ringroup.mu	Tel: 230-212 1865 230-212 2847 Fax: 230-2080843
Morocco	Ets Louis Guillaud & Cie 31, Rue Pierre Parent, Casablanca - 21000	boumadiane.azedine@elg.ma doukhal.marouane@elg.ma	Tel: 522-301446 / 305971 / 317815 / 315576 Fax: 522-444518 / 317888
Nigeria	Meridian Power Tools Ltd. Gr. Floor, #1 Alhaji Masha Rd, Next to Teslim Balogun Stadium, Near National Stadium Surulere, Lagos, Nigeria	braj@meridian-nigeria.com	Tel: 234-1-7740431 234-1-7740410 Fax: 234-1-7913798
Pakistan	Northern Toolings (Pvt) Ltd.-Lahore 86- Railway Road, Lahore - 7 Pakistan	zhayee@northern.pk import@northern.pk sales@northern.pk	Tel: 92-423-7651220 92-423-7641675 Fax: 92-423-7641674
	Northern Toolings (Pvt) Ltd.-Karachi 224-231 Industrial Town Plaza, Shahrah-e-Liaqat, Karachi, Pakistan	karachibr@northern.pk	Tel: 92-213-2465305 92-213-2465307 Fax: 92-213-2465301
	Northern Toolings (Pvt) Ltd.-Taxila Al-Rehman Plaza, Opposite Tehsil Court, Faisal Shaheed Road, Taxila	taxilabr@northern.pk	Tel: 92-51-4545811 Fax: 92-51-4544194
South Africa	Benray Tool Wholesalers C.C. 91 Turfontein Road, Stafford, Johannesburg, 2001 P.O. Box 260037 EXCOM 2023, South Africa	dewalt.service@benray.co.za zain@benray.co.za shafiq@benray.co.za	Tel: 27-11-6838350 Fax: 27-11-6837456
Tanzania	General Motors Investment Ltd. 14 Vingunguti-Nyerere Road, P.O.Box 16541, Dar es Salaam, Tanzania	ezra@gmi-tz.com info@gmi-tz.com chiwelesa@yahoo.com	Tel: 255-22-2865022 / 2862661 / 2862671 / 2862659 Fax: 255-22-2862667
Tunisia	Ets. Mohamed Ghorbel 03 Rue 8603 Charguia 1 Tunis. Postal Code 2035	slim.ghorbel@gnet.tn moh.ghorbel@gnet.tn mourad.ghorbel@gnet.tn	Tel: 216-71794248 216-71793848 Fax: 216-71770759
Uganda	The Building Center (21) Ltd. 52 Station Road, Kitgum House, P.O. Box 7436 Kampala, Uganda	tbc@africaonline.co.ug chris@tbcu.co.ug	Tel: 256-041-4234567 256-041-4259754 Fax: 256-041-4236413
Yemen	Middle East Trading Co. (METCO) 5th Flr.Hayel Saeed Anam Bldg. Al-Mugamma St. Taiz, Yemen	tamer.metco@gmail.com tamer@metcotrading.com metco@metcotrading.com sami@metcotrading.com	Tel: 967-4-213455 Fax: 967-4-219869
	Middle East Trading Co. (METCO) Mualla Dakka, Aden	tamer.metco@gmail.com tamer@metcotrading.com metco@metcotrading.com	Tel: 967-2-222670 Fax: 967-2-222670
	Middle East Trading Co. (METCO) Hayel st., Sana'a, Yemen	tamer.metco@gmail.com tamer@metcotrading.com metco@metcotrading.com	Tel: 967-1-204201 Fax: 967-1-204204

UAE	Black & Decker (Overseas) GmbH P.O. Box 5420, Dubai	service.mea@blackdecker.com	Tel: 971-4 8127400 / 8127406 Fax: 971-4 2822765	
	Ideal Star Workshop Eqpt. Trading LLC P.O. Box 37116, Al Quoz, Dubai	idealeq@emirates.net.ae	Tel: 971-4 3474160 Fax: 971-4 3474157	
	Alebrah Engineering Service P.O. Box 78954, Al Qusais, Dubai	alebrah@eim.ae	Tel: 971-4 2850044 Fax: 971-4 2844802	
	Burj Al Madeena Industrial Area No. 1, opp. Pakistani Masjid P.O. Box 37635, Sharjah	dewaltuae@hotmail.com	Tel: 971-6 5337747 Fax: 971-6 5337719	
	McCoy Middle East LLC P.O. Box 25793, Sharjah	mccoy@emirates.net.ae	Tel: 971-6 5395931 Fax: 971-6 5395932	
	McCoy Middle East LLC P.O. Box 10584, Ras Al Khaimah	mccoyrak@gmail.com	Tel: 971-7 2277095 Fax: 971-7 2277096	
	Al Sukoon Gen. Trdg. Co. LLC P.O. Box 2975, Ajman	sukoon@eim.ae	Tel: 971-6 7435725 / 7438317 Fax: 971-6 7437350	
	Zillion Equipment and Spare Parts Trading LLC P.O. Box 19740, opp. Bin Sadal / Trimix Redymix Sanaiya, Al Ain	zilliontrdg@gmail.com	Tel: 971-3 7216690 Fax: 971-3 7216103	
	Light House Electrical, Abu Dhabi Branch P.O. Box 120, Abu Dhabi	dewalt_lhe@hotmail.com	Tel: 971-2 6726131 Fax: 971-2 6720667	
	Light House Electrical, Musaffah Branch P.O. Box 120, Abu Dhabi	dewalt_lhe@hotmail.com	Tel: 971-2 5548315 Fax: 971-2 5540461	
	Bahrain	Alfouz Services Co. WLL P.O. Box 26562, Tubli, Manama	alfouz@batelco.com.bh	Tel: 973 17783562 / 17879987 Fax: 973 17783479
		Kavalani & Sons W.L.L. P.O. Box 71, Sitra, Manama	info@kavalani.com pradeep@kavalani.com	Tel: 973 17732888 Fax: 973 17737379
Kuwait	Al Omar Technical Co. P.O. Box 4062, Safat 13041, Kuwait	alexotc@usa.net	Tel: 965 24848595 / 24840039 Fax: 965 24845652	
	Fawaz Al Zayani Establishment P.O. Box 42426, Shop No.18, Al Humaizi Commercial Complex, Khalifa Al Jassim, Shuwaikh	dewaltkuwait@hotmail.com	Tel: 965 24828710 Fax: 965 24828716	
	Fawaz Al Zayani Establishment Fahaheel Industrial Area, Main St., Sanaya	dewaltkuwait@hotmail.com	Tel: 965 23925830 Fax: 965 24828716	
Oman	Al Jizzi Company LLC P.O. Box 1704, P.C. 112, Ruwi	aljizied@omantel.net.om jizzi10@omantel.net.om	Tel: 968 24832618 / 24835153 Fax: 968 24831334 / 24836460	
	Al Hassan Technical & Construction Supplies Co. LLC P.O. Box 1948, P.C. 112, Ruwi	hamriya.sr@al-hassan.com abrar.h@al-hassan.com	Tel: 968 24810575 / 24837054 Fax: 968 24810287 / 24833080	
	Oman Hardware Co. LLC P.O. Box 635, Ruwi Postal Code 112	omanhard@omantel.net.om	Tel: 968 24815131 Fax: 968 24816491	
	Khimji Ramdas P.O. Box 19, Post Code 100, Ghala, Muscat	bilal.m@khimjiramdas.com	Tel: 968 24595906/ 907 Fax: 968 24852752	
Qatar	Teyseer Industrial Supplies & Services Co. WLL 55, Al Wakalat St. (Between St. 18 & 19) Salwa Industrial Area, P.O. Box 40523 Doha	manish@tissoo-qatar.com tool.service@tissoo-qatar.com	Tel: 974 4581536 Fax: 974 4682024	
	Shaheen Electrical Works & Trading Co. WLL Gate 34, St. 44 Industrial Area P.O. Box 9756, Doha	shaheenelc@gmail.com	Tel: 974 460 02 30 / 460 05 25 Fax: 974 460 13 38	
KSA	Industrial Material Organization (IMO) P.O. Box 623, Rail Street, Riyadh	service@imo.com.sa	Tel: 966-1 4028010 Ext. 26 Tel: 966-1 8001245757 Fax: 966-1 4037970	
	Fawaz Ebrahim Al Zayani Trading Est. P.O. Box 76026, Al Raka : 31952	dewaltdammam@hotmail.com	Tel: 966-3 8140914 Fax: 966-3 8140824	
	MSS (Al-Mojil Supply & Services) P.O. Box 450, Jubail 31951	mssjubail@almojilservices.com alex.chang@almojilservices.com	Tel: 966-3 3612850 / 3624487 Tel: 966-3 3621729 Fax: 966-3 3623589 / 3620783	
	Opp-Gulf Bridge Library & Riyadh House			
	EAC (Al Yousef Contg. & Trdg. Est.) P.O. Box 30377, Jeddah -21477	golamkibria77@yahoo.com	Tel: 966-2 6519912 Fax: 966-2 6511153	
	Mohamed Ahmed Bin Afif Est. P.O. Box 530, Yanbu, Al Bahr	binaffiyanbu@hotmail.com	Tel: 966-4 3222626 / 3228867 Fax: 966-4 3222210	
	Garziz Trading for Bldg Mat & Decoration P.O. Box 3364, Madina	agarziz@yahoo.com	Tel: 966-4 826 14 90 / 822 76 36 Fax: 966-4 826 57 41	
	Sultan Garment Factory (RSC) P.O. Box 29912, Riyadh 11467	rscservice@dligi.net.sa	Tel: 966-1 4055148 / 4042889 Fax: 966-1 4055148	
	Al Bawardi Tools & Hardware P.O. Box 112, Dammam 31411	asattar@albawardi.com nibanez@albawardi.com	Tel: 966-3 8330780 Ext. 24 Tel: 966-3 8348585 Ext. 24 Fax: 966-3 8336303	
	Al Bawardi Tools & Hardware P.O. Box 68, Riyadh 11411	rbaltao@albawardi.com asamad@albawardi.com	Tel: 966-1 4484999 Fax: 966-3 4487877	
	Al Bawardi Tools & Hardware P.O. Box 16905, Jeddah 21474	sharadi@albawardi.com fgaber@albawardi.com	Tel: 966-2 6444547 / 6439035 Tel: 966-2 6456095 Fax: 966-2 6439024	