

DEWALT®

www.DEWALT.eu

D26676

English (original instructions)	4
Français (traduction de la notice d'instructions originale)	10
ةيلصألا تاميلعتلا نع مجرتسم ةيبرعلا	17

Figure 1

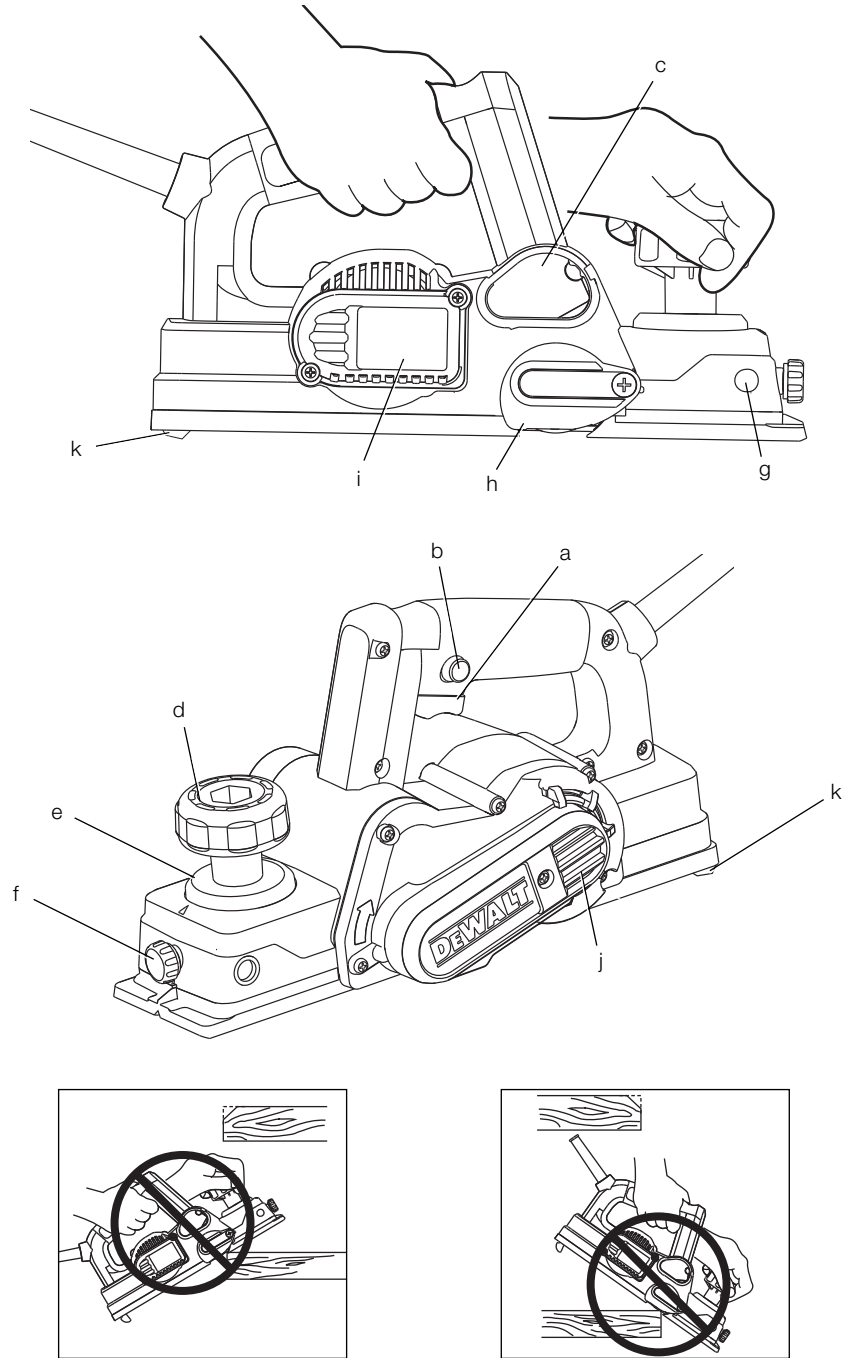


Figure 2

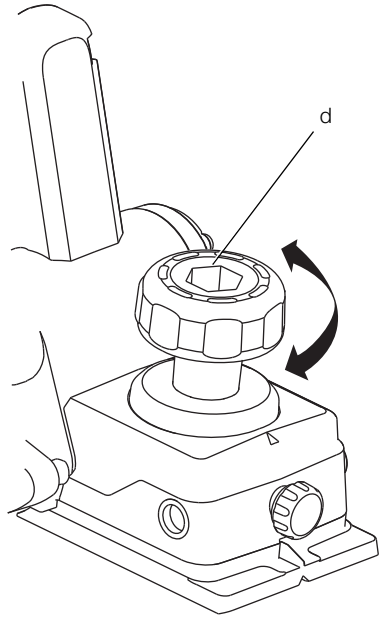


Figure 3

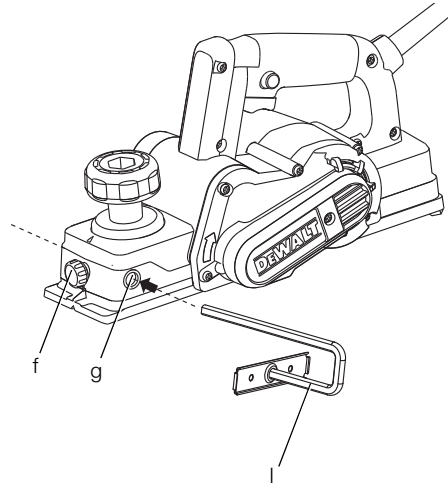


Figure 4

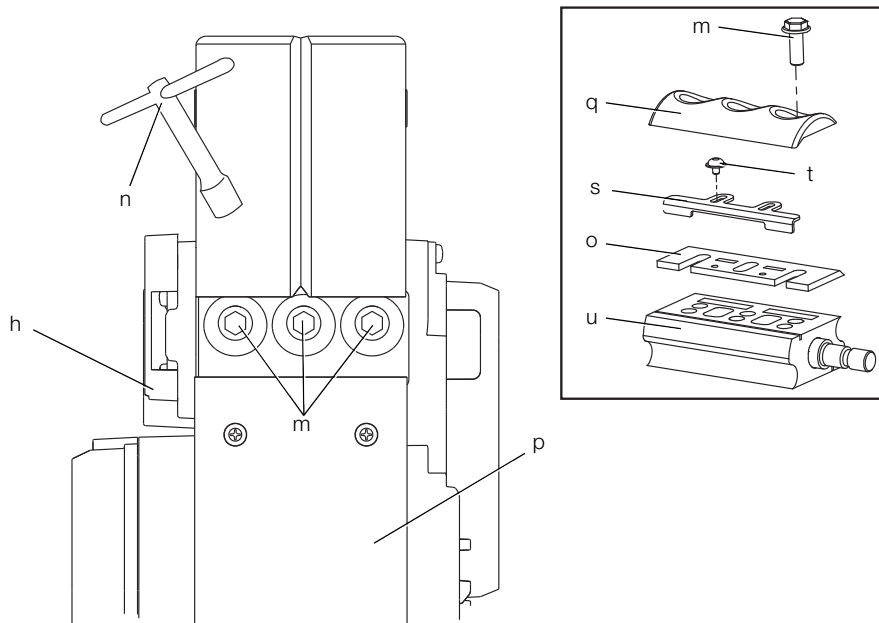


Figure 5

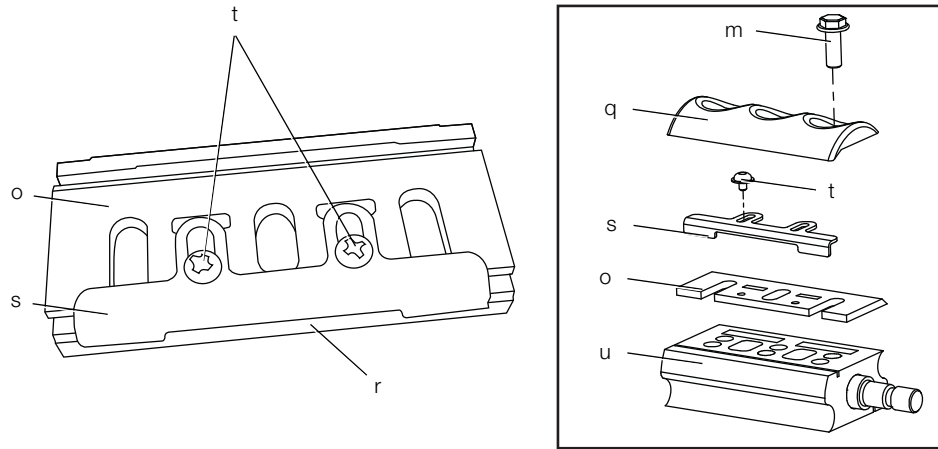
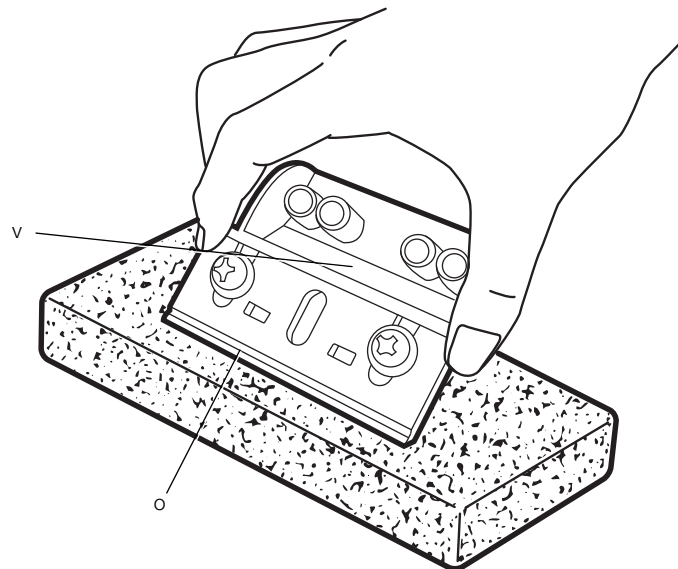


Figure 6



PLANER

D26676

Congratulations!

You have chosen a DEWALT tool. Years of experience, thorough product development and innovation make DEWALT one of the most reliable partners for professional power tool users.

Technical Data

		D26676
Voltage	V _{AC}	220/240
Power input	W	550
No load speed	min ⁻¹	17000
Base length	mm	309
Planing width	mm	82
Rabbeting depth (max.)	mm	9
Optimum planing depth	mm	0–1
Planing depth (max.)	mm	1.5
Weight	kg	2.6

Definitions: Safety Guidelines

The definitions below describe the level of severity for each signal word. Please read the manual and pay attention to these symbols.



DANGER: Indicates an imminently hazardous situation which, if not avoided, **will** result in **death or serious injury**.



WARNING: Indicates a potentially hazardous situation which, if not avoided, **could** result in **death or serious injury**.



CAUTION: Indicates a potentially hazardous situation which, if not avoided, **may** result in **minor or moderate injury**.

NOTICE: Indicates a practice **not related to personal injury** which, if not avoided, **may** result in **property damage**.



Denotes risk of electric shock.



Denotes risk of fire.



WARNING: To reduce the risk of injury, read the instruction manual.

General Power Tool Safety Warnings



WARNING! Read all safety warnings and all instructions. Failure to follow the warnings and instructions may result in electric shock, fire and/or serious injury.

SAVE ALL WARNINGS AND INSTRUCTIONS FOR FUTURE REFERENCE

The term “power tool” in the warnings refers to your mains-operated (corded) power tool or battery-operated (cordless) power tool.

1) WORK AREA SAFETY

- Keep work area clean and well lit.** Cluttered or dark areas invite accidents.
- Do not operate power tools in explosive atmospheres, such as in the presence of flammable liquids, gases or dust.** Power tools create sparks which may ignite the dust or fumes.
- Keep children and bystanders away while operating a power tool.** Distractions can cause you to lose control.

2) ELECTRICAL SAFETY

- Power tool plugs must match the outlet. Never modify the plug in any way. Do not use any adapter plugs with earthed (grounded) power tools.** Unmodified plugs and matching outlets will reduce risk of electric shock.
- Avoid body contact with earthed or grounded surfaces such as pipes, radiators, ranges and refrigerators.** There is an increased risk of electric shock if your body is earthed or grounded.
- Do not expose power tools to rain or wet conditions.** Water entering a power tool will increase the risk of electric shock.
- Do not abuse the cord. Never use the cord for carrying, pulling or unplugging the power tool. Keep cord away from heat, oil, sharp edges or moving parts.** Damaged or entangled cords increase the risk of electric shock.
- When operating a power tool outdoors, use an extension cord suitable for outdoor use.** Use of a cord suitable for outdoor use reduces the risk of electric shock.
- If operating a power tool in a damp location is unavoidable, use a residual current device (RCD) protected supply.**

Use of an RCD reduces the risk of electric shock.

3) PERSONAL SAFETY

- a) **Stay alert, watch what you are doing and use common sense when operating a power tool. Do not use a power tool while you are tired or under the influence of drugs, alcohol or medication.** A moment of inattention while operating power tools may result in serious personal injury.
- b) **Use personal protective equipment. Always wear eye protection.** Protective equipment such as dust mask, non-skid safety shoes, hard hat, or hearing protection used for appropriate conditions will reduce personal injuries.
- c) **Prevent unintentional starting. Ensure the switch is in the off position before connecting to power source and/or battery pack, picking up or carrying the tool.** Carrying power tools with your finger on the switch or energising power tools that have the switch on invites accidents.
- d) **Remove any adjusting key or wrench before turning the power tool on.** A wrench or a key left attached to a rotating part of the power tool may result in personal injury.
- e) **Do not overreach. Keep proper footing and balance at all times.** This enables better control of the power tool in unexpected situations.
- f) **Dress properly. Do not wear loose clothing or jewellery. Keep your hair, clothing and gloves away from moving parts.** Loose clothes, jewellery or long hair can be caught in moving parts.
- g) **If devices are provided for the connection of dust extraction and collection facilities, ensure these are connected and properly used.** Use of dust collection can reduce dust-related hazards.

4) POWER TOOL USE AND CARE

- a) **Do not force the power tool. Use the correct power tool for your application.** The correct power tool will do the job better and safer at the rate for which it was designed.
- b) **Do not use the power tool if the switch does not turn it on and off.** Any power tool that cannot be controlled with the switch is dangerous and must be repaired.
- c) **Disconnect the plug from the power source and/or the battery pack from the power tool before making any adjustments, changing accessories, or**

storing power tools. Such preventive safety measures reduce the risk of starting the power tool accidentally.

- d) **Store idle power tools out of the reach of children and do not allow persons unfamiliar with the power tool or these instructions to operate the power tool.** Power tools are dangerous in the hands of untrained users.
- e) **Maintain power tools. Check for misalignment or binding of moving parts, breakage of parts and any other condition that may affect the power tool's operation. If damaged, have the power tool repaired before use.** Many accidents are caused by poorly maintained power tools.
- f) **Keep cutting tools sharp and clean.** Properly maintained cutting tools with sharp cutting edges are less likely to bind and are easier to control.
- g) **Use the power tool, accessories and tool bits etc., in accordance with these instructions taking into account the working conditions and the work to be performed.** Use of the power tool for operations different from those intended could result in a hazardous situation.

5) SERVICE

- a) **Have your power tool serviced by a qualified repair person using only identical replacement parts.** This will ensure that the safety of the power tool is maintained.

ADDITIONAL SPECIFIC SAFETY RULES

Additional Safety Instructions for Planers

- **Wait for the cutter to stop before setting the tool down.** An exposed cutter may engage the surface leading to possible loss of control and serious injury.

Residual Risks

In spite of the application of the relevant safety regulations and the implementation of safety devices, certain residual risks cannot be avoided. These are:

- Impairment of hearing.
- Risk of dust inhalation.
- Risk of burns due to accessories becoming hot during operation.
- Risk of personal injury due to prolonged use.

ENGLISH

Markings on Tool

The following pictograms are shown on the tool:



Read instruction manual before use.



Wear ear protection.



Wear eye protection.

DATE CODE POSITION

The date code, which also includes the year of manufacture, is printed into the housing.

Example:

2011 XX XX

Year of Manufacture

Package Contents

The package contains:

- 1 Planer
 - 1 Parallel fence
 - 1 Spanner
 - 1 Gauge
 - 1 Sharpening holder
 - 1 Instruction manual
- Check for damage to the tool, parts or accessories which may have occurred during transport.
 - Take the time to thoroughly read and understand this manual prior to operation.

Description (fig. 1, 3)



WARNING: Never modify the power tool or any part of it. Damage or personal injury could result.

- a. On/off switch
- b. Lock button
- c. Shavings discharge outlet
- d. Planing depth adjustment knob
- e. Planing depth graduation
- f. Parallel fence tightening bolt
- g. Hole for parallel fence
- h. Side guard (excluding in some model)
- i. Motor cover
- j. Drive belt cover

k. Kickstand

l. Parallel fence

INTENDED USE

Your high performance planer has been designed for professional planing of wood.

DO NOT use under wet conditions or in presence of flammable liquids or gases.

These planers are professional power tools. **DO NOT** let children come into contact with the tool. Supervision is required when inexperienced operators use this tool.

- This product is not intended for use by persons (including children) suffering from diminished physical, sensory or mental abilities; lack of experience, knowledge or skills unless they are supervised by a person responsible for their safety. Children should never be left alone with this product.

Electrical Safety

The electric motor has been designed for one voltage only. Always check that the power supply corresponds to the voltage on the rating plate.



Your DEWALT tool is double insulated in accordance with EN 60745; therefore no earth wire is required.

If the supply cord is damaged, it must be replaced by a specially prepared cord available through the DEWALT service organisation.

Mains Plug Replacement (Middle East and Africa)

If a new mains plug needs to be fitted:

- Safely dispose of the old plug.
- Connect the brown lead to the live terminal in the plug.
- Connect the blue lead to the neutral terminal.



WARNING: No connection is to be made to the earth terminal.

Follow the fitting instructions supplied with good quality plugs. Recommended fuse: 13 A.

Using an Extension Cable

If an extension cable is required, use an approved extension cable suitable for the power input of this tool (see **Technical Data**). The minimum conductor size is 1 mm²; the maximum length is 30 m.

When using a cable reel, always unwind the cable completely.

ASSEMBLY AND ADJUSTMENTS



WARNING: To reduce the risk of injury, turn unit off and disconnect machine from power source before installing and removing accessories, before adjusting or changing set-ups or when making repairs. Be sure the switch is in the OFF position. An accidental start-up can cause injury.

Adjusting the Depth of Cut (fig. 2)

Turn the planing depth adjustment knob (d).

One revolution of the adjustment knob equals a 1.5 mm change in depth. One graduation corresponds to a depth of cut of 0.1 mm, and this is offered up to 1.0 mm in depth.

Attaching and Removing the Parallel Fence (fig. 1, 3)

The parallel fence (l) is used for optimum tool control on narrow workpieces.

1. Loosen the parallel fence tightening bolt (f).
2. Fit the parallel fence (l) in the hole (g) on either side.
3. Tighten the parallel fence tightening bolt.
4. To remove the parallel fence, proceed in reverse order.

Cutters



WARNING: Always replace both cutters.

TO REMOVE CUTTER (FIG. 4)

1. Loosen and remove the three screws (m) with the wrench (n) provided.
2. Remove the drum cover (q) from the drum (u).
3. Carefully remove the cutter/guide bar assembly [two screws (t), guide bar (s) and cutter (o)].
4. Adjust, sharpen or replace cutter.

TO ADJUST CUTTER USING GAUGE (PROVIDED WITH TOOL) (FIG. 5)

1. Place the cutter/guide bar assembly [two screws (t), guide bar (s) and cutter (o)] on the gauge plate (r) with the cutting edge of the cutter flush against the gauge plate inside wall. The heel of the guide bar (s) will overlap the end of the gauge plate (r).
2. Loosen the screws (t) with the wrench provided.

3. Simultaneously push the cutter (o) and the guide bar (s) into the gauge plate inside wall, making sure that the cutter is held firmly against the gauge plate inside wall and securely tighten screws (t).

SHARPENING CUTTERS (FIG. 6)

1. Fasten the cutter to sharpening holder (v). Be sure both cutter edges face in the same direction.
2. Place the cutter edges so that they rest flat on the grinding stone (not included).
3. Firmly grip the sharpening holder and move back and forward to sharpen the cutter (o).

TO REINSTALL CUTTER (FIG. 5)

1. Cautiously remove the adjusted cutter/guide bar assembly [two screws (t), guide bar (s) and cutter (o)] from the gauge plate (r) and place the heel of the guide bar (s) into the groove in the drum (u).
2. Set the drum cover (q) over the adjusted cutter/guide bar assembly and securely tighten the three screws (m) to the drum.
3. Repeat procedure for the other cutter.

OPERATION

Instructions for Use



WARNING:

- Always observe the safety instructions and applicable regulations.
- Use sharp cutters only.

Prior to Operation

- Adjust the depth of cut.
- If necessary, fit and adjust the parallel fence.

Proper Hand Position (fig. 1)



WARNING: To reduce the risk of serious personal injury, **ALWAYS** use proper hand position as shown.



WARNING: To reduce the risk of serious personal injury, **ALWAYS** hold securely in anticipation of a sudden reaction.

Proper hand position requires one hand on the main handle and the other hand on planing depth adjustment knob (d).

Switching On and Off (fig. 1)

1. To run the tool, press the on/off switch (a). For continuous operation, press the lock-on button and release the on/off switch.
2. To stop the tool, release the on/off switch. To stop the tool in continuous operation, press the on/off switch once more. Always switch off the tool when work is finished and before unplugging.

Switching On and Off (Safety Switch) (fig. 1)



WARNING: Do not switch the tool ON or OFF when under load.

If your planer is equipped with a safety switch to prevent inadvertent operation, please follow the below instruction.

1. To run the tool, press the lock-off button (b) and subsequently press the on/off switch (a). Release the lock-off button (b).
2. To stop the tool, release the on/off switch (a). Always switch off the tool when work is finished and before unplugging.

Planing (fig. 1)



WARNING:

- The feed speed should not be too high, especially when using the maximum depth of cut and planing width.
- Remember that several shallow cuts are better than one deep cut.



CAUTION: Do not lock the trigger switch on and engage the kickstand. The vibration of the running motor will cause the planer to move, possibly falling from the work piece.

1. Switch the tool ON as described.
2. Slowly move the planer over the workpiece.
3. Switch the tool OFF.

Your planer is equipped with a kickstand (k). After switching OFF the tool can be put down without waiting for the cutters to come to a standstill

MAINTENANCE

Your DEWALT power tool has been designed to operate over a long period of time with a minimum of maintenance. Continuous satisfactory operation depends upon proper tool care and regular cleaning.



WARNING: To reduce the risk of injury, turn unit off and disconnect machine from power source before installing and removing accessories, before adjusting or changing set-ups or when making repairs. Be sure the switch is in the OFF position. An accidental start-up can cause injury.



Whenever possible, connect a dust extraction device designed in accordance with the relevant regulations regarding dust emission.



Lubrication

Your power tool requires no additional lubrication.



Cleaning



WARNING: Blow dirt and dust out of the main housing with dry air as often as dirt is seen collecting in and around the air vents. Wear approved eye protection and approved dust mask when performing this procedure.



WARNING: Never use solvents or other harsh chemicals for cleaning the non-metallic parts of the tool. These chemicals may weaken the materials used in these parts. Use a cloth dampened only with water and mild soap. Never let any liquid get inside the tool; never immerse any part of the tool into a liquid.

Optional Accessories



WARNING: Since accessories, other than those offered by DEWALT, have not been tested with this product, use of such accessories with this tool could be hazardous. To reduce the risk of injury, only DEWALT recommended accessories should be used with this product.

Consult your dealer for further information on the appropriate accessories.

Protecting the Environment



Separate collection. This product must not be disposed of with normal household waste.

Should you find one day that your DEWALT product needs replacement, or if it is of no further use to you, do not dispose of it with household waste. Make this product available for separate collection.



Separate collection of used products and packaging allows materials to be recycled and used again. Re-use of recycled materials helps prevent environmental pollution and reduces the demand for raw materials.

Local regulations may provide for separate collection of electrical products from the household, at municipal waste sites or by the retailer when you purchase a new product.

DEWALT provides a facility for the collection and recycling of DEWALT products once they have reached the end of their working life. To take advantage of this service please return your product to any authorised repair agent who will collect them on our behalf.

You can check the location of your nearest authorised repair agent by contacting your local DEWALT office at the address indicated in this manual. Alternatively, a list of authorised DEWALT repair agents and full details of our after-sales service and contacts are available on the Internet at: **www.2helpU.com**.

RABOTEUSE

D26676

Félicitations !

Vous avez choisi un outil DEWALT. Des années d'expertise dans le développement et l'innovation de ses produits ont fait de DEWALT, le partenaire privilégié des utilisateurs professionnels d'outils électriques.

Caractéristiques techniques

		D26676
Tension	V _{AC}	220/240
Puissance consommée	W	550
Vitesse à vide	min ⁻¹	17000
Longueur de la base	mm	309
Largeur de rabotage	mm	82
Profondeur de refeuillement (max.)	mm	9
Profondeur de rabotage optimale	mm	0-1
Profondeur de rabotage (max.)	mm	1,5
Poids	kg	2,6

Définitions : consignes de sécurité

Les définitions ci-après décrivent le degré de risques associé à chaque balise. Lire soigneusement la notice d'instructions et respecter ces symboles.

de danger imminent qui, si rien n'est fait pour l'éviter, aura comme conséquences la mort ou des dommages corporels graves.



AVERTISSEMENT : indique une situation de danger potentiel qui, si rien n'est fait pour l'éviter, **pourra** avoir comme conséquences la **mort ou des dommages corporels graves**.



ATTENTION : indique une situation de danger potentiel qui, si rien n'est fait pour l'éviter, **pourrait** avoir comme conséquences des **dommages corporels mineurs ou moindres**.

AVIS : indique une pratique ne **posant aucun risque de dommages corporels**, mais qui par contre, si rien n'est fait pour l'éviter, **pourrait** poser des **risques de dommages matériels**.



Indique des risques de décharges électriques.



Indique des risques d'incendie.



AVERTISSEMENT : pour réduire tout risque de dommages corporels, lire la notice d'instructions

Consignes de sécurité générales propres aux outils électriques



AVERTISSEMENT ! lire toutes les directives et consignes de sécurité.
Tout manquement aux directives et consignes ci-inclues comporte des risques de décharges électriques, d'incendie et/ou de dommages corporels graves.

CONSERVER TOUTES CES DIRECTIVES ET CONSIGNES À TITRE DE RÉFÉRENCE

Le terme « outil électrique » mentionné dans les avertissements ci-après se rapporte aux outils alimentés sur secteur (avec fil) ou par piles (sans fil).

1) SÉCURITÉ – AIRE DE TRAVAIL

- Maintenir l'aire de travail propre et bien éclairée.** Les lieux sombres ou encombrés sont propices aux accidents.
- Ne pas utiliser un outil électrique dans un milieu déflagrant, comme en présence de liquides, gaz ou poussières inflammables.** Les outils électriques peuvent produire des étincelles qui pourraient enflammer toute émanation ou poussière ambiante.
- Maintenir à l'écart les enfants, ou toute autre personne, lors de l'utilisation d'un outil électrique.** Toute distraction pourrait faire perdre la maîtrise de l'appareil.

2) SÉCURITÉ – ÉLECTRICITÉ

- La fiche électrique de l'outil doit correspondre à la prise murale. Ne modifier la fiche en aucune façon. Ne pas utiliser de fiche d'adaptation avec un outil électrique mis à la terre (masse).** L'utilisation de fiches d'origine et de prises appropriées réduira tout risque de décharges électriques.
- Éviter tout contact corporel avec des éléments mis à la terre comme : tuyaux, radiateurs, cuisinières ou réfrigérateurs.** Les risques de décharges électriques augmentent lorsque le corps est mis à la terre.
- Ne pas exposer les outils électriques à la pluie ou à l'humidité.** Tout contact d'un

outil électrique avec un liquide augmente les risques de décharges électriques.

- d) **Ne pas utiliser le cordon de façon abusive. Ne jamais utiliser le cordon pour transporter, tirer ou débrancher un outil électrique. Protéger le cordon de toute source de chaleur, de l'huile, et de tout bord tranchant ou pièce mobile.** Les cordons endommagés ou emmêlés augmentent les risques de décharges électriques.
- e) **En cas d'utilisation d'un outil électrique à l'extérieur, utiliser systématiquement une rallonge conçue à cet effet.** Cela diminuera tout risque de décharges électriques.
- f) **Si on ne peut éviter d'utiliser un outil électrique en milieu humide, utiliser un circuit protégé par un dispositif de courant résiduel (RCD).** Cela réduira tout risque de décharges électriques.

3) SÉCURITÉ INDIVIDUELLE

- a) **Rester systématiquement vigilant et faire preuve de jugement lorsqu'on utilise un outil électrique. Ne pas utiliser d'outil électrique en cas de fatigue ou sous l'influence de drogues, d'alcool ou de médicaments.** Tout moment d'inattention pendant l'utilisation d'un outil électrique comporte des risques de dommages corporels graves.
- b) **Porter un équipement de protection individuel. Porter systématiquement un dispositif de protection oculaire.** Le fait de porter un masque anti-poussières, des chaussures antidérapantes, un casque de sécurité ou un dispositif de protection auditive, lorsque la situation le requiert, réduira les risques de dommages corporels.
- c) **Prévenir tout démarrage accidentel. S'assurer que l'interrupteur est en position d'arrêt avant de brancher l'outil sur le secteur et/ou à la batterie, ou de le ramasser ou le transporter.** Transporter un outil le doigt sur l'interrupteur ou brancher un outil électrique alors que l'interrupteur est en position de marche invite les accidents.
- d) **Retirer toute clé de réglage avant de démarrer l'outil.** Une clé laissée sur une pièce rotative d'un outil électrique comporte des risques de dommages corporels.
- e) **Adopter une position stable. Maintenir les pieds bien ancrés au sol et conserver son équilibre en permanence.** Cela permettra de mieux maîtriser l'outil électrique en cas de situations imprévues.

- f) **Porter des vêtements appropriés. Ne porter aucun vêtement ample ou bijou. Maintenir cheveux, vêtements et gants à l'écart des pièces mobiles, car ils pourraient s'y faire prendre.**
- g) **Lorsqu'un dispositif de connexion à un système de dépoussiérage ou d'élimination est fourni, s'assurer qu'il est branché et utilisé correctement.** L'utilisation de ces dispositifs peut réduire les risques engendrés par les poussières.

4) UTILISATION ET ENTRETIEN DES OUTILS ÉLECTRIQUES

- a) **Ne pas forcer un outil électrique. Utiliser l'outil approprié au travail en cours.** L'outil approprié effectuera un meilleur travail, de façon plus sûre et à la vitesse pour laquelle il a été conçu.
- b) **Ne pas utiliser un outil électrique dont l'interrupteur est défectueux.** Tout appareil dont l'interrupteur est défectueux est dangereux et doit être réparé.
- c) **Débrancher la fiche du secteur et/ou la batterie de l'outil électrique avant d'effectuer tout réglage, de changer tout accessoire, ou avant de le ranger.** Ces mesures préventives réduiront tout risque de démarrage accidentel de l'appareil.
- d) **Après utilisation, ranger les outils électriques hors de portée des enfants et ne permettre à aucune personne non familière avec son fonctionnement (ou sa notice d'instructions) de l'utiliser.** Les outils peuvent être dangereux entre des mains inexpérimentées.
- e) **Entretien des outils électriques. Vérifier les pièces mobiles pour s'assurer qu'elles sont bien alignées et tournent librement, qu'elles sont en bon état et ne sont affectées d'aucune condition susceptible de nuire au bon fonctionnement de l'outil. En cas de dommage, faire réparer l'outil électrique avant toute nouvelle utilisation.** De nombreux accidents sont causés par des outils mal entretenus.
- f) **Maintenir tout organe de coupe propre et bien affûté.** Les outils de coupe bien entretenus et affûtés sont moins susceptibles de se coincer et sont plus faciles à contrôler.
- g) **Utiliser un outil électrique, ses accessoires, mèches, etc., conformément aux présentes directives et suivant la manière prévue pour ce type particulier d'outil électrique, en tenant compte des conditions de travail et de la tâche à effectuer.** L'utilisation d'un outil électrique

FRANÇAIS

à des fins autres que celles prévues est potentiellement dangereuse.

5) RÉPARATION

- a) **Faire entretenir les outils électriques par un réparateur qualifié en n'utilisant que des pièces de rechange identiques.** Cela permettra de préserver l'intégrité de l'outil électrique et la sécurité de l'utilisateur.

RÈGLES PARTICULIÈRES DE SÉCURITÉ ADDITIONNELLES

Instructions de sécurité supplémentaires pour les raboteuses

- **Attendre l'arrêt complet de l'organe de coupe avant de poser l'outil.** Un organe de coupe exposé peut s'engager avec la surface provoquant potentiellement une perte de contrôle et des blessures graves.

Risques résiduels

En dépit de l'application des normes de sécurité en vigueur et de l'installation de dispositifs de sécurité, certains risques résiduels sont inévitables. Il s'agit de :

- Diminution de l'acuité auditive ;
- Risque d'inhalation de poussière.
- Risques de brûlures provoquées par des accessoires ayant surchauffé pendant leur fonctionnement.
- Risques de dommages corporels dus à un usage prolongé.

Étiquettes sur l'appareil

On trouve les diagrammes suivants sur l'outil :



Lire la notice d'instructions avant toute utilisation.



Porter un dispositif de protection auditive.



Porter un dispositif de protection oculaire.

EMPLACEMENT DE LA DATE CODÉE DE FABRICATION

La date codée de fabrication, qui comprend aussi l'année de fabrication, est imprimée sur le boîtier.

Exemple :

2011 XX XX

Année de fabrication

Contenu de l'emballage

Ce carton comprend :

- 1 Raboteuse
- 1 Guide parallèle
- 1 Clé plate
- 1 Étalon
- 1 Porte-meule
- 1 Notice d'instructions
- Vérifier que l'appareil et ses pièces ou accessoires n'ont pas été endommagés lors du transport.
- Prendre le temps de lire attentivement et comprendre cette notice d'instructions avant toute utilisation de l'appareil.

Description (fig. 1, 3)



AVERTISSEMENT : ne jamais modifier l'outil ni aucun de ses composants, car cela pose des risques de dommages corporels ou matériels.

- a. Interrupteur marche/arrêt
- b. Bouton de blocage
- c. Orifice d'évacuation des copeaux
- d. Bouton de réglage de la profondeur de rabotage
- e. Graduation de la profondeur de rabotage
- f. Boulon de serrage du guide parallèle
- g. Trou pour guide parallèle
- h. Carter latéral (sur certains modèles uniquement)
- i. Carter du moteur
- j. Carter de courroie d'entraînement
- k. Béquille
- l. Guide parallèle

USAGE PRÉVU

Votre raboteuse hautes performances a été conçue pour le rabotage professionnel du bois.

NE PAS utiliser ces outils en milieu ambiant humide ou en présence de liquides ou de gaz inflammables.

Ces raboteuses sont des outils électriques professionnels. **NE PAS** le laisser à la portée des enfants. Une supervision est nécessaire auprès de tout utilisateur non expérimenté.

- Ce produit n'est pas prévu pour être utilisé par des personnes (y compris les enfants) dont les capacités physiques, sensorielles ou mentales sont réduites ou qui manquent d'expérience ou d'aptitudes, sauf si ces personnes sont

surveillées par une autre personne responsable de leur sécurité. Ne jamais laisser les enfants seuls avec ce produit.

Sécurité électrique

Le moteur électrique a été conçu pour fonctionner sur une tension unique. Vérifier systématiquement que la tension du secteur correspond bien à la tension indiquée sur la plaque signalétique.



Votre outil DEWALT à double isolation est conforme à la norme EN 60745 ; un branchement à la terre n'est donc pas nécessaire.

Si le cordon fourni est endommagé, le remplacer par un cordon spécialement conçu à cet effet, et disponible auprès du service après-vente DEWALT.

(CH) Toujours utiliser la fiche prescrite lors du remplacement du câble d'alimentation.

Type 11 pour la classe II (Isolation double) – outils

Type 12 pour la classe I (Conducteur de terre) – outils

(CH) En cas d'utilisation à l'extérieur, connecter les outils portatifs à un disjoncteur FI.

Remplacement de la fiche d'alimentation (Moyen-Orient et Afrique)

Si une nouvelle fiche d'alimentation doit être montée :

- Mettre soigneusement au rebut l'ancienne fiche.
- Raccorder le fil marron à la borne de phase dans la fiche.
- Raccorder le fil bleu à la borne de neutre.



AVERTISSEMENT : aucun branchement ne doit être fait à la borne de terre.

Suivez les instructions de montage fournies avec des fiches de bonne qualité. Fusible recommandé : 13 A.

Utilisation d'une rallonge

Si une rallonge s'avère nécessaire, utiliser une rallonge homologuée et compatible avec la tension nominale de cet outil (se reporter à la section **Caractéristiques techniques**). La section minimale du conducteur est de 1 mm² pour une longueur maximale de 30 m.

En cas d'utilisation d'un dévidoir, dérouler systématiquement le câble sur toute sa longueur.

MONTAGE ET RÉGLAGES



AVERTISSEMENT : pour réduire les risques de blessures, arrêtez l'appareil et débranchez-le de la source d'alimentation avant d'installer ou de retirer des accessoires, avant de régler ou de changer la configuration ou lors du marquage de repères. Assurez-vous que l'interrupteur est en position d'arrêt. Un démarrage accidentel peut provoquer des blessures.

Réglage de la profondeur de coupe (fig. 2)

Tournez le bouton de réglage de la profondeur de rabotage (d).

Un tour du bouton de réglage correspond à une modification de 1,5 mm de la profondeur. Une graduation correspond à une profondeur de coupe de 0,1 mm et le réglage est possible jusqu'à une profondeur de 1,0 mm.

Montage et démontage du guide parallèle (fig. 1, 3)

Le guide parallèle (l) est utilisé pour contrôler parfaitement les pièces étroites avec l'outil.

1. Desserrez le boulon de serrage du guide parallèle (f).
2. Fixez le guide parallèle (l) dans l'e trou (g) d'un côté ou de l'autre.
3. Serrez le boulon de serrage du guide parallèle.
4. Pour enlever le guide parallèle, procédez en ordre inverse.

Lames



AVERTISSEMENT : remplacez toujours les deux lames.

DÉMONTAGE DE LA LAME (FIG. 4)

1. Desserrez et retirez les trois vis (m) avec la clé plate (n) fournie.
2. Retirez le carter du tambour (q) sur le tambour (u).
3. Retirez soigneusement l'ensemble lame/barre de guidage (deux vis (t), barre de guidage (s) et lame (o)).
4. Ajustez, affûtez ou remplacez la lame.

FRANÇAIS

AJUSTEMENT DE LA LAME AVEC L'ÉTALON (FOURNI AVEC L'OUTIL) (FIG. 5)

1. Placez l'ensemble lame/barre de guidage (deux vis (t), barre de guidage (s) et lame (o)) sur la plaque étalon (r) avec le bord tranchant de la lame à fleur contre la paroi interne de la plaque étalon.

Le talon de la barre de guidage (s) débordera sur l'extrémité de la plaque étalon (r).

2. Desserrez les vis (t) avec la clé fournie.
3. Poussez simultanément la lame (o) et la barre de guidage (s) dans la paroi interne de la plaque étalon, en vous assurant que la lame est maintenue fermement contre la paroi interne de la plaque étalon, puis serrez fermement les vis (t).

AFFÛTAGE DES LAMES (FIG. 6)

1. Attachez la lame au porte-meule (v). Assurez-vous que les deux bords de lame sont orientés dans le même sens.
2. Placez les bords de lame de sorte qu'ils reposent à plat sur la meule (non fournie).
3. Saisissez fermement le porte-meule et déplacez-le d'avant en arrière pour affûter la lame (o).

REMONTAGE DE LA LAME (FIG. 5)

1. Retirez soigneusement l'ensemble lame/barre de guidage (deux vis (t), barre de guidage (s) et lame (o)) de la plaque étalon (r) et placez le talon de la barre de guidage (s) dans la rainure du tambour (u).
2. Placez le carter de tambour (q) sur l'ensemble lame/barre de guidage ajusté, puis serrez fermement les trois vis (m) sur le tambour.
3. Répétez l'opération pour l'autre lame..

FONCTIONNEMENT

Consignes d'utilisation



AVERTISSEMENT :

- respecter systématiquement les consignes de sécurité et les normes en vigueur.
- utiliser uniquement des lames affûtées.

Avant toute utilisation

- Ajustez la profondeur de coupe.
- Au besoin installez et réglez le guide parallèle.

Position correcte des mains (fig. 1)



AVERTISSEMENT : pour réduire tout risque de dommages corporels graves, adopter **SYSTÉMATIQUEMENT** la position des mains illustrée.



AVERTISSEMENT : pour réduire tout risque de dommages corporels graves, maintenir fermement et **SYSTÉMATIQUEMENT** l'outil pour anticiper toute réaction soudaine de sa part.

La position correcte des mains nécessite une main sur la poignée principale avec l'autre main sur le bouton de réglage de la profondeur de rabotage (d).

Mise en marche et arrêt de l'appareil (fig. 1)

1. Appuyez sur l'interrupteur marche/arrêt (a) pour mettre l'outil en marche. Pour un fonctionnement continu, appuyez sur le bouton de verrouillage et relâchez l'interrupteur marche/arrêt.
2. Pour arrêter l'outil, relâcher l'interrupteur marche/arrêt. Pour arrêter l'outil en fonctionnement continu, appuyez à nouveau sur l'interrupteur marche/arrêt. Toujours mettre l'outil à l'arrêt après le travail et avant de débrancher l'outil.

Mise en marche et arrêt de l'appareil (interrupteur de sécurité) (fig. 1)



AVERTISSEMENT : Ne pas **ARRÊTER** ou **DÉMARRER** l'outil lorsqu'il est en contact avec une surface quelconque.

Si votre raboteuse est équipée d'un interrupteur de sécurité pour empêcher l'utilisation accidentelle, veuillez suivre les instructions ci-dessous.

1. Pour utiliser l'outil, appuyez sur le bouton de déblocage (b), puis sur l'interrupteur marche/arrêt (a). Relâchez le bouton de déblocage (b).
2. Pour arrêter l'outil, relâcher l'interrupteur marche/arrêt (a). Toujours mettre l'outil à l'arrêt après le travail et avant de débrancher l'outil.

Rabotage (fig. 1)



AVERTISSEMENT :

- la vitesse d'alimentation ne doit pas être trop élevée, spécialement en utilisant la profondeur de coupe et la largeur de rabotage maximales.

- N'oubliez pas que plusieurs coupes fines sont préférables à une coupe épaisse.



ATTENTION : n'engagez pas la béquille si la gâchette est bloquée en position marche. Les vibrations du moteur en marche feront se déplacer la raboteuse et peuvent la faire tomber de l'ouvrage.

1. Allumez l'outil comme indiqué.
2. Déplacez lentement la raboteuse sur l'ouvrage.
3. Arrêter l'outil.

Votre raboteuse est équipée d'une béquille (k). Après avoir arrêté l'outil, il est possible de le reposer sans attendre que les lames de coupe s'arrêtent.

MAINTENANCE

Cet outil DEWALT a été conçu pour fonctionner longtemps avec un minimum de maintenance. Le fonctionnement continu et satisfaisant de l'outil dépend d'un entretien adéquat et d'un nettoyage régulier.



AVERTISSEMENT : pour réduire les risques de blessures, arrêtez l'appareil et débranchez-le de la source d'alimentation avant d'installer ou de retirer des accessoires, avant de régler ou de changer la configuration ou lors du marquage de repères. Assurez-vous que l'interrupteur est en position d'arrêt. Un démarrage accidentel peut provoquer des blessures.



Chaque fois que possible, connectez un aspirateur à poussière conçu conformément aux normes en vigueur en matière d'émissions de poussières.



Lubrification

Votre outil électrique ne requiert aucune lubrification additionnelle.



Entretien



AVERTISSEMENT : éliminer poussière et saleté du boîtier principal à l'aide d'air comprimé chaque fois que les orifices

d'aération semblent s'encrasser. Porter systématiquement des lunettes de protection et un masque anti-poussières homologués au cours de cette procédure.



AVERTISSEMENT : ne jamais utiliser de solvants ou tout autre produit chimique décapant pour nettoyer les parties non métalliques de l'outil. Ces produits chimiques pourraient en attaquer les matériaux utilisés. Utiliser un chiffon humidifié avec de l'eau et un savon doux. Protéger l'outil de tout liquide et n'immerger aucune de ses pièces dans aucun liquide.

Accessoires en option



AVERTISSEMENT : comme les accessoires autres que ceux offerts par DEWALT n'ont pas été testés avec ce produit, leur utilisation avec cet appareil pourrait être dangereuse. Pour réduire tout risque de dommages corporels, seuls des accessoires DEWALT recommandés doivent être utilisés avec cet appareil.

Veillez consulter votre revendeur pour plus d'informations sur les accessoires appropriés.

Protection de l'environnement



Collecte sélective. Ne pas jeter ce produit avec les ordures ménagères.



En fin de durée de vie ou d'utilité de votre produit DEWALT, ne pas le jeter avec les ordures ménagères, mais dans les conteneurs de collecte sélective.



La collecte sélective des produits et emballages usagés permet de recycler et réutiliser leurs matériaux. La réutilisation de matériaux recyclés aide à protéger l'environnement contre la pollution et à réduire la demande en matière première.

Selon les réglementations locales, il peut être offert : service de collecte sélective individuel des produits électriques, ou déchetterie municipale ou collecte sur les lieux d'achat des produits neufs.

DEWALT dispose d'installations pour la collecte et le recyclage des produits DEWALT en fin de vie. Pour profiter de ce service, veuillez rapporter votre produit auprès d'un centre de réparation agréé qui le recyclera en notre nom.

FRANÇAIS

Pour connaître l'adresse d'un centre de réparation agréé près de chez vous, veuillez contacter votre distributeur DEWALT local à l'adresse indiquée dans cette notice d'instructions, ou consulter la liste des centres de réparation agréés DEWALT, l'éventail de notre SAV et tout renseignement complémentaire sur Internet à l'adresse : **www.2helpU.com**.

المقشطة

D26676

تهانينا!

لقد اخترت أداة DEWALT. سنوات الخبرة التي تمتد خلالها عمليات تطوير وابتكار المنتجات تجعل DEWALT من أكثر الشركاء الذين يمكن الاعتماد عليهم بالنسبة لمستخدمي الأدوات الآلية المهنية.

البيانات الفنية

D26676	
الجهد الكهربائي	تيار ثابت AC 240/220
دخل الطاقة	وات 550
سرعة بدون حمل	دقيقة 17000
طول القاعدة	ملم 309
عرض المقشطة	ملم 82
عمق القاطع (أقصى عمق)	ملم 9
العمق الأمثل للفتش	ملم 1-0
عمق الفتش (أقصى عمق)	ملم 1.5
وزن	كغم 2.6

التعريفات: تعليمات الأمان

تصف التعريفات التالية مستوى أهمية كل كلمة تحذيرية. يرجى قراءة الدليل والانتباه لتلك الرموز.

خطر: تشير إلى حالة خطرة وشيكة الوقوع للغباء، وإذا لم يتم تفاديها، ستؤدي إلى حدوث الوفاة أو الإصابة الجسيمة.

تحذير: تشير إلى حالة خطرة محتملة الوقوع، وإذا لم يتم تفاديها، فقد تؤدي إلى حدوث الوفاة أو الإصابة الجسيمة.

تنبيه: تشير إلى حالة خطرة محتملة الوقوع، وإذا لم يتم تفاديها، وقد تؤدي إلى حدوث إصابة بسيطة أو متوسطة.

ملاحظة: تشير إلى ممارسة غير متعلقة بإصابة شخصية، إذا لم يتم تفاديها، فقد تؤدي إلى ضرر الممتلكات.

تشير إلى خطر حدوث صعقة كهربائية.

تشير إلى خطر نشوب حريق.

تحذير: لتقليل خطر حدوث الإصابات، تفضل بقراءة دليل التعليمات.

تحذيرات الأمان العامة للأدوات الكهربائية

تحذير! تفضل بقراءة جميع تحذيرات الأمان وجميع التعليمات. عدم الالتزام باتباع هذه التحذيرات والتعليمات قد يؤدي إلى حدوث صعقة كهربائية، و/أو نشوب حريق، و/أو إصابة جسيمة.

احتفظ بجميع التحذيرات والتعليمات من أجل الرجوع إليها في المستقبل

يشير المصطلح «أداة كهربائية» في التحذيرات إلى الأداة الكهربائية التي تعمل بالطاقة الكهربائية (مزودة بسلك كهربائي) أو الأداة الكهربائية التي تعمل بالبطارية (غير مزودة بسلك كهربائي).

(1) أمان منطقة العمل

- (أ) احتفظ بمنطقة العمل نظيفة ومضاءة بطريقة جيدة. حيث أن المناطق المتكدسة بغير نظام أو المظلمة تؤدي إلى وقوع الحوادث.
- (ب) لا تقم بتشغيل الأدوات الكهربائية في الأجواء المتفجرة، كأن يوجد بالمكان سائل أو غازات أو غير قابل للاشتعال. قد تؤدي الأدوات الكهربائية التي تحدث شرارات في اشتعال الأتربة أو الأبخرة.
- (ج) حافظ على الأطفال والأشخاص المشاهدين بعيداً أثناء تشغيل الأداة الكهربائية. فقد يؤدي تشتت الانتباه إلى فقدان سيطرتك.

(2) السلامة الكهربائية

- (أ) يجب أن يتطابق قابس الأداة الكهربائية مع مصدر التيار الكهربائي. لا تقم مطلقاً بإجراء تعديل على القابس بأي طريقة. لا تستخدم قابس المحول مع الأدوات الكهربائية المؤرضة (تم تأريضها). حيث ستقلل المقابس غير المعدلة ومصادر التيار الكهربائي المتطابقة من خطر حدوث صعقة كهربائية.
- (ب) تجنب تلامس الجسد مع الأسطح الأرضية أو المؤرضة كالألابيب، المشعاع، والنظارات والتلجعات. حيث يوجد خطر متزايد من حدوث صعقة كهربائية إذا كان جسدك مؤرضاً أو ثابتاً على الأرض.
- (ج) لا تعرض الأدوات الكهربائية للمطر أو البلل. إذ سيؤدي الماء الذي يدخل الأداة الكهربائية إلى زيادة خطر حدوث صعقة كهربائية.
- (د) لا تستخدم الكابل بطريقة خاطئة. لا تستخدم مطلقاً السلك من أجل حمل الأشياء أو سحبها أو لنزع قابس الأداة الكهربائية. أبعد السلك عن الحرارة أو الزيوت أو الحواف الحادة أو الأجزاء المتحركة. إذ تزيد الأسلاك التالفة أو المتشابكة من خطر حدوث صعقة كهربائية.
- (هـ) عند تشغيل الأداة الكهربائية خارج المنزل، استخدم سلك استئطالة ملائم للاستخدام في الأماكن الخارجية. حيث أن استخدام السلك الملائم للاستخدام الخارجي يقلل من خطر حدوث الصعقة الكهربائية.
- (و) إذا لم يكن بالإمكان تفادي تشغيل الأداة الكهربائية في مكان رطب، فاستخدم مصدر إمداد محمي بجهاز التيار المتبقي (RCD). استخدام جهاز التيار المتبقي يقلل من خطر حدوث الصعقة الكهربائية.

(3) السلامة الشخصية

- (أ) ابق متيقظاً وراقب ما تقوم بفعله واستعن بالحواس العامة عند تشغيل الأداة الكهربائية. لا تستخدم الأداة الكهربائية عندما تكون متعباً أو تحت تأثير المخدرات أو الكحول أو الأدوية. قد تؤدي أي لحظة من السهو أثناء تشغيل الأدوات الكهربائية إلى حدوث إصابة جسدية جسيمة.
- (ب) استخدم معدات الوقاية الشخصية. قم دوماً بارتداء واقى العينين. إذ أن استخدام معدات الوقاية مثل كمامات الأتربة،

(5) الخمة

أ) قم بصيانة الأداة الكهربائية الخاصة بك على يد فني إصلاح مؤهل وذلك من خلال استخدام أجزاء بديلة متطابقة فقط. حيث سيضمن ذلك الحفاظ على أمان الأداة الكهربائية.

قواعد الأمان المحددة الإضافية

تعليمات السلامة الإضافية للمقشطة

• انتظر توقف القاطع قبل وضع الأداة الكهربائية على الأرض. إذ قد يلامس القاطع المكشوف الأرض مما يؤدي إلى فقدان محتمل للسيطرة ووقوع إصابة جسيمة.

المخاطر المتبقية

على الرغم من تطبيق تعليمات السلامة ذات الصلة والتزود بأجهزة الأمان، فلا يمكن تفادي بعض المخاطر المتبقية المحددة. وتشمل هذه المخاطر ما يلي:

- ضعف السمع.
- خطر استنشاق الغبار.
- خطر التعرض للحروق بسبب سخونة الملحقات أثناء التشغيل.
- خطر التعرض للإصابة الشخصية بسبب الاستخدام المطول.

العلامات على الأداة

الصور التالية موضحة على الأداة:

اقرأ دليل التعليمات قبل الاستخدام.



قم بارتداء واقبات الأذن.



قم بارتداء واقبات العين.



وضع كود التاريخ

كود التاريخ الذي يتضمن كذلك عام التصنيع مطبوع في التجويف. مثال:

عام التصنيع
XX XX 2011

محتويات العبوة

تحتوي العبوة على:

1 مقشطة

1 حاجز متوازي

1 مفتاح ربط

1 مقياس

1 حامل الشحذ

1 دليل التعليمات

- افحص بحثًا عن أي تلف لحق بالأداة أو الأجزاء أو الملحقات يمكن أن يكون قد حدث أثناء النقل.
- استغرق الوقت اللازم لقراءة هذا الدليل وفهمه جيدًا قبل التشغيل.

- وأخذية الأمان المانعة للانزلاق، والخوذة الصلبة، أو واقي الأذن للحالات ذات الصلة سيقفل من الإصابات الشخصية.
- ج) تجنب التشغيل العرضي. تأكد من أن المفتاح في وضع إيقاف التشغيل قبل التوصيل بمصدر الطاقة، و/ أو مجموعة البطارية، أو القاطع أو حمل الأداة. حيث قد يؤدي حمل الأدوات الكهربائية أثناء وجود إصبعك على المفتاح أو إمداد الأدوات الكهربائية التي يكون مفتاحها بوضع التشغيل بالكهرباء إلى وقوع الحوادث.
- د) قم بإخراج أي مفتاح ضبط أو مفتاح ربط قبل تشغيل الأداة الكهربائية. فقد يؤدي ترك مفتاح الربط أو المفتاح بالجزء الدوار بالأداة الكهربائية إلى حدوث إصابة شخصية.
- هـ) تجنب مد يدك بعيدًا بالجهاز. حافظ على ثبات موضع قدمك والتوازن طيلة الوقت. إذ يساعدك ذلك على التحكم بشكل أفضل في الأداة الكهربائية في المواقف الفجائية.
- و) ارتد ملابس مناسبة لا تقم بارتداء ملابس أو مجوهرات فضفاضة. أبعد الشعر والملابس والقفازات عن الأجزاء المتحركة. فقد تنحسر الملابس أو المجوهرات الفضفاضة أو الشعر الطويل في الأجزاء المتحركة.
- ز) في حال توفير الأجهزة للتوصيل بوسائل استخلاص وتجميع الأتربة، فتأكد من توصيلها واستخدامها بطريقة صحيحة. حيث أن تجميع الأتربة قد يؤدي إلى تقليل المخاطر المتعلقة بالأتربة.

(4) استخدام الأداة الكهربائية والعناية بها

- أ) لا تتعامل بالقوة مع الأداة الكهربائية. استخدم الأداة الكهربائية الملائمة لغرض الاستخدام الخاص بك، حيث ستنجز الأداة الكهربائية الملائمة المهمة بشكل أفضل وأكثر أمانًا عند المعدل الذي صممت من أجله.
- ب) لا تستخدم الأداة الكهربائية إذا كان المفتاح لا يؤدي إلى التشغيل وإيقاف التشغيل. حيث تشكل أي أداة كهربائية لا يمكن التحكم فيها بواسطة المفتاح خطورة ويجب إصلاحها.
- ج) قم بفصل القابس من مصدر الطاقة و/ أو مجموعة البطارية من الأداة الكهربائية قبل إجراء أي عمليات ضبط أو تغيير ملحقات أو تخزين الأدوات الكهربائية. تقلل مثل إجراءات السلامة الوقائية هذه من خطر تشغيل الأداة الكهربائية بشكل فجائي.
- د) قم بتخزين الأدوات الكهربائية المتوقفة عن العمل بعيدًا عن متناول الأطفال ولا تدع الأشخاص غير الملمين بالأداة الكهربائية أو بهذه التعليمات يقومون بتشغيل الأداة الكهربائية. إذ تعد الأدوات الكهربائية خطيرة في أيدي المستخدمين غير المدربين على استخدامها.
- هـ) حافظ على الأدوات الكهربائية. افحص بحثًا عن أي محاذة غير صحيحة أو التصاق للأجزاء المتحركة، أو كسر بالأجزاء وأي حالات أخرى قد تؤثر على تشغيل الأداة الكهربائية. وفي حال وجود تلف، قم بإصلاح الأداة الكهربائية قبل الاستخدام.
- و) حيث يرجع سبب وقوع العديد من الحوادث إلى الصيانة السيئة للأدوات الكهربائية.
- حافظ على أدوات القطع في حالة حادة ونظيفة. حيث أن أدوات القطع التي تتم صيانتها بطريقة صحيحة ومزودة بحواف قطع حادة تتعرض بشكل أقل للتصاق ويسهل التحكم بها على نحو أكبر.
- ز) استخدم الأداة الكهربائية والملحقات ولقم الأداة وما شابه ذلك وفقًا لهذه التعليمات مع الأخذ في الاعتبار ظروف التشغيل والعمل المراد تنفيذه. إذ أن استخدام الأداة الكهربائية لعمليات مختلفة عن تلك العمليات المخصصة لها قد يؤدي إلى حالة خطيرة.

الوصف (شكل 1، 3)

تحذير: لا تقم مطلقاً بتعديل الأداة الكهربائية أو أي جزء منها. فقد ينجم عن ذلك التلف أو الإصابة الشخصية.



- مفتاح التشغيل/ إيقاف التشغيل
- مفتاح القفل
- منفذ تصريف نشارة الأخشاب
- مقبض ضبط عمق القشط
- تدرج عمق القشط
- مسمار تضيق الحاجز المتوازي
- فتحة للحاجز المتوازي
- واقى جانبي (مُستثنى في بعض الطرازات)
- غطاء المحرك
- غطاء سير التوجيه
- مسند
- حاجز متوازي

الاستخدام المقصود

تم تصميم المقشطة عالية الأداء للقشط الاحترافي للأخشاب.

لا تستخدم في ظل الأحوال الجوية الممطرة، أو في وجود السوائل أو الغازات القابلة للاشتعال.

تعد هذه المقاشط أدوات كهربائية متقدمة. لا تدع الأطفال يلمسون الأداة. يكون الإشراف أمراً ضرورياً عند استخدام مشغل قليل الخبرة لهذه الأداة.

- هذا المنتج غير مخصص للاستخدام من قبل الأفراد (بما في ذلك الأطفال) الذين يعانون من قصور في القدرات الجسدية أو الحسية أو العقلية، وقلة الخبرة أو المعرفة أو المهارات ما لم يكونوا تحت إشراف من يتحمل مسؤولية سلامتهم. لا ينبغي أن يُترك الأطفال وحدهم مع هذا المنتج.

السلامة الكهربائية

تم تصميم المحرك الكهربائي لتحمل جهد كهربائي واحد فقط. تأكد دائماً من أن مصدر إمداد الطاقة مطابق للجهد الكهربائي المبين على لوحة التصنيف.

تم تزويد الأداة الخاصة بك من DEWALT بعازل مزدوج طبقاً للمعيار EN 60745، لذا لا حاجة للسلك الأرضي.



إذا كان سلك إمداد الطاقة تالفاً، فيجب استبداله بسلك آخر معد خصيصاً متوفر لدى مراكز خدمة DEWALT.

استبدال قابس التيار الرئيسي (الشرق الأوسط وإفريقيا)

إذا استدعت الضرورة تركيب قابس تيار رئيسي، فقم بالتالي:

- تخلص بأمان من القابس القديم.
- قم بتوصيل السلك البني بطرف التوصيل النشط في القابس.
- قم بتوصيل السلك الأزرق بطرف التوصيل المحايد.

تحذير: لا يتم إجراء أي توصيل بطرف التوصيل الأرضي.



قم باتباع التعليمات الواردة مع القابس ذات الجودة العالية. المنصهر الموصى باستخدامه: 13 أمبير.

استخدام كابل الاستطالة

إذا استدعت الضرورة استخدام كابل الاستطالة، فاستخدم كابل استطالة معتمد ملانم لدخل طاقة هذه الأداة، (انظر البيانات الفنية). حجم الموصل الأدنى هو 1 مم²، أقصى طول هو 30 م. عند استخدام بكره الكابل، قم دوماً بفك الكابل تماماً.

عمليات التجميع والضبط

تحذير: للحد من خطر التعرض للإصابة، قم بإيقاف تشغيل الوحدة، وافصل الماكينة عن مصدر الطاقة قبل تركيب المحلقات وفكها، وقيل ضبط أو تغيير الإعدادات، أو عند إجراء الإصلاحات. تأكد من أن المفتاح في وضع OFF (إيقاف التشغيل). فبدء التشغيل العرضي قد يؤدي إلى حدوث إصابة.



تعديل عمق القطع وتسويته (الشكل رقم 2)

أدر مقبض ضبط عمق القشط (د).

دورة واحدة لمقبض الضبط تعادل تغير بمقدار 1.5 ملم في العمق. تدرج واحد يتوافق مع عمق قطع بمقدار 0.1 ملم، وهو متاح حتى عمق 1.0 ملم.

تركيب الحاجز المتوازي وإزالته (الشكل 1، 3)

يستخدم الحاجز المتوازي (ع) للحصول على أفضل تحكم في قطع أجزاء العمل الضيقة.

- حرر مسمار تضيق الحاجز المتوازي (و).
- ركب الحاجز المتوازي (ع) في الفتحة (ز) بكل الجانبين.
- أحكم ربط مسمار تضيق الحاجز المتوازي.
- لإزالة الحاجز المتوازي، يجب اتباع الترتيب العكسي.

القاطع

تحذير: استبدل كلا القاطعين دوماً.



إزالة القاطع (الشكل رقم 4)

- حرر البراغي الثلاثة (م) وأزلها بواسطة مفتاح الربط (ن) المرفق.
- أزل غطاء الحاوية (ف) من الحاوية (ش).
- أزل مجموعة القاطع/قضيب توجيه بحرص [ثنان من البراغي (ر) وقضيب توجيه (ق) وقاطع (س)].
- قم بتعديل القاطع أو شحذه أو استبداله.

لضبط القاطع باستخدام المقياس (المرفق مع الأداة) (الشكل رقم 5)

- ضع مجموعة القاطع/قضيب توجيه [ثنان من البراغي (ر) وقضيب توجيه (ق) وقاطع (س)] على لوحة المقياس (ص) مع وضع حافة القطع الخاصة بسطح القاطع في مواجهة لوحة المقياس داخل الجدار. ستدخل مؤخرة قضيب توجيه (ق) مع نهاية لوحة المقياس (ص).
- حرر البراغي (ر) بواسطة مفتاح الربط المرفق.

التشغيل وإيقاف التشغيل (مفتاح الأمان) (الشكل رقم 1)

تحذير: تجنب تشغيل الأداة أو إيقافها عند وجود حمل.



إذا كانت المقشطة مزودة بمفتاح أمان لمنع التشغيل العفوي، يرجى اتباع التعليمات الواردة أدناه.

1. لتشغيل الأداة، اضغط على زر إلغاء القفل (b) ثم اضغط على مفتاح ON/OFF (التشغيل/ إيقاف التشغيل) (أ). ثم حرر زر إلغاء القفل (ب).
2. لإيقاف تشغيل الأداة، حرر مفتاح ON/OFF (التشغيل/ إيقاف التشغيل) (أ). قم دوماً بإيقاف تشغيل الأداة عند الانتهاء من العمل وقبل فصل القابس.

المقشط (الشكل رقم 1)

تحذير:



- يجب ألا تكون سرعة التغذية عالية جداً، لا سيما عند استخدام أقصى عمق للقطع وعرض المقشط.
- تذكر أن عدة قطعيات سطحية أفضل من قطع واحد عميق.

تنبيه: تجنب قفل مفتاح التشغيل وملامسة المسند. إذ قد يؤدي اهتزاز محرك التشغيل إلى تحريك المقشطة، مما قد يؤدي إلى سقوط الأداة من على القطعة التي يجري العمل عليها.



1. شغل الأداة كما هو موضح.
 2. حرك المقشطة ببطء على قطعة العمل.
 3. أوقف تشغيل الأداة.
- المقشطة مزودة بمسند (س). بعد إيقاف تشغيل الأداة، يمكن وضعها أرضاً دون الانتظار لتوقف القاطعين تماماً

الصيانة

تم تصميم الأداة الكهربائية DEWALT الخاصة بك للعمل خلال فترة زمنية طويلة مع أدنى حد من الصيانة. يعتمد التشغيل المرضي المتواصل على العناية الملائمة بالأداة وتنظيفها بشكلٍ منتظم.

تحذير: لخفض خطر التعرض للإصابة، قم بإيقاف تشغيل الوحدة، وفصل الماكينة من مصدر الطاقة قبل تركيب المحلقات وفكها، وقيل ضبط أو تغيير الإعدادات، أو عند إجراء الإصلاحات. تأكد من أن المفتاح في وضع OFF (إيقاف التشغيل). فبدء التشغيل العرضي قد يؤدي إلى حدوث إصابة.



وضّل أحد أجهزة استخلاص الأتربة المصممة وفقاً للتعليمات ذات الصلة فيما يتعلق بانبعاثات الأتربة، متى أمكن ذلك.



التشحيم

لا تحتاج الأداة الكهربائية الخاصة بك إلى أي تشحيم إضافي.

3. ادفع القاطع (س) وقضيب التوجيه (ق) تجاه لوحة المقياس في أن واحد داخل الجدار، مع التأكد من إمساك القاطع بإحكام تجاه لوحة المقياس داخل الجدار وإحكام ربط البراغي (ر).

شدّ القاطعين (الشكل رقم 6)

1. ثبت القاطع بحامل الشدّ (ت). تأكد من توجيه حواف القاطع لنفس الاتجاه.
2. ضع حواف القطع بحيث يستقرا تماماً على حجر الجالغ (غير مرفق).
3. أمسك حامل الشدّ بثبات وحركه للخلف وللأمام لشدّ القاطع (س).

إعادة تركيب القاطع (الشكل رقم 5)

1. أزل بحذر مجموعة القاطع/قضيب التوجيه التي تم ضبطها [الثان من البراغي (ر) وقضيب توجيه (ق) وقاطع (س)] من لوحة المقياس (ص)، ثم ضع مؤخرة قضيب التوجيه (ق) داخل التجويف بالحاوية (ش).
2. ضع غطاء الحاوية (ف) فوق مجموعة القاطع/قضيب التوجيه التي تم ضبطها ثم أحكم ربط البراغي الثلاثة (م) بالغطاء.
3. أعد الخطوات للقاطع الخارجي.

التشغيل

تعليمات الاستخدام

تحذير:



- التزم دوماً بتعليمات الأمان واللوائح المعمول بها.
- استخدم القواطع المشحونة فقط.

قبيل عملية التشغيل

- اضبط عمق القطع.
- ركب الحاجز المتوازي وقم بضبطه، إذا لزم الأمر.

الوضع اليدوي الصحيح (الشكل رقم 1)

تحذير: لخفض خطر التعرض للإصابة الجسدية البالغة، استخدم دوماً الوضع اليدوي الصحيح كما هو موضح.



تحذير: لخفض خطر التعرض للإصابة الجسدية البالغة، قم دوماً بالإمساك الجيد تحسباً لأي رد فعل مفاجئ.



الوضع اليدوي الصحيح يتطلب وضع يد على المقبض الرئيسي واليد الأخرى على مقبض ضبط عمق المقشط (د).

التشغيل وإيقاف التشغيل (شكل 1)

1. لتشغيل الأداة، اضغط على مفتاح ON/OFF (التشغيل/ إيقاف التشغيل) (أ). لتشغيل المتواصل، اضغط على زر تشغيل القفل وحرر مفتاح ON/OFF (التشغيل/ إيقاف التشغيل).
2. لإيقاف تشغيل الأداة، حرر مفتاح ON/OFF (التشغيل/ إيقاف التشغيل). لإيقاف تشغيل الأداة أثناء التشغيل المستمر، اضغط على مفتاح ON/OFF (التشغيل/ إيقاف التشغيل) مرة أخرى. قم دوماً بإيقاف تشغيل الأداة عند الانتهاء من العمل وقبل فصل القابس.



التنظيف

تحذير: قم بنفخ الأتربة والغبار خارج التجويف الرئيسي بواسطة الهواء الجاف عدد أكبر من المرات في حال مشاهدة تجمع الأتربة بداخل المنافذ الهوائية وحولها. قم بإرتداء واقي العين المعتمد وكمامة الأتربة المعتمدة عند تنفيذ هذا الإجراء.



تحذير: لا تقم مطلقاً باستخدام مذيبات أو أي مواد كيميائية قاسية أخرى لتنظيف الأجزاء غير المعدنية بالأداة. إذ قد تضعف هذه المواد الكيميائية من المواد المستخدمة في هذه الأجزاء. استخدم قطعة قماش مبللة بالماء والصابون الخفيف فقط. لا تسمح قط يدخل أي سائل إلى الأداة، ولا تقم مطلقاً بغمر أي جزء من الأداة في السائل.



الملحقات الاختيارية

تحذير: نظراً لعدم اختبار ملحقات غير تلك المقدمة من DEWALT، مع هذا المنتج، يمكن أن يمثل استخدام مثل هذه الملحقات مع هذه الأداة خطر. لتقليل الإصابة الشخصية، يجب استخدام الملحقات الموصى بها فقط من DEWALT مع هذا المنتج.



استشر وكيلك لمعرفة المزيد من المعلومات حول الملحقات الملائمة.

حماية البيئة

تجمع منفصلاً، يجب عدم التخلص من هذا المنتج في النفايات المنزلية العادية.



إذا وجدت في أحد الأيام أن المنتج DEWALT الخاص بك يلزم استبداله، أو لم تعد هنالك حاجة لاستخدامه، فلا تتخلص منه في النفايات المنزلية. اجعل هذا المنتج متوفرًا للتجميع المنفصل.

التجميع المنفصل للمنتجات والعبوات المستهلكة يتيح إعادة تدوير المواد واستخدامها مرة أخرى. إعادة استخدام المواد المعاد تدويرها يساعد على منع التلوث البيئي وتقليل الطلب على المواد الخام.



قد توفر القوانين المحلية أماكن تجميع منفصلة للمنتجات الكهربائية عن النفايات المنزلية، وفي مواقع النفايات البلدية أو بواسطة بائع التجزئة عند شرائك لمنتج جديد.

تقدم DEWALT وسيلة للتجميع المنفصل لتجميع وتدوير منتجات DEWALT بعد وصولها إلى نهاية عمر التشغيل الخاص بها. للاستفادة من هذه الخدمة، الرجاء إعادة المنتج الخاص بك إلى وكيل إصلاح معتمد والذي سيقوم بتجميعه نيابة عنك.

بإمكانك التعرف على موقع أقرب وكيل إصلاح معتمد في منطقتك من خلال الاتصال بمكتب DEWALT المحلي على العنوان المحدد في هذا الدليل. أو بدلاً من ذلك، تتوفر قائمة من وكلاء الإصلاح المعتمدين التابعين لشركة DEWALT مع بياناتهم التفصيلية الكاملة لخدمة ما بعد البيع وجهات الاتصال المتوفرة على الإنترنت بالموقع:

www.2helpU.com







Afghanistan	Ariana Hafiz Zabi Co. Ltd. Dahan Bagh Squire Karte Ariana, Kabul, Afghanistan	info@arianahafiz.com	Tel: 93-0-799331079 Fax: 93-0-700007576 / 93-0-799331079
Algeria	Sarl Outillage Corporation 08, Rue Med Boudiaf (ex TELLA Achen) Cheraga, Alger	hakim.merdjadi@outillage-dz.com lyes@outillage-dz.com Mali.faiza@outillage-dz.com; sidahmed@outillage-dz.com	Tel: 213-0-21375130 213-0-21375131 Fax: 213-0-21369667
Angola	Angoferraria, Lda. Rua Robert Shields, nº 61, Luanda, Angola	angoferraria@gmail.com sequeira.angoferraria@gmail.com	Tel: 244-222-395837 / 244-222-395034 Fax: 244-222-394790
Azerbaijan	Royalton Holdings Ltd. 41 Khagani St. Apt. 47 AZ1001 Baku- Azerbaijan	jai@royaltonholdings.com office@royaltonholdings.com	Tel: 994-12-4935544 Fax: 994-12-5980378
Egypt	ElFarab S.A.E. 15-Nabil El Wakkad Street, Dokki, Giza, Egypt	elfarab@elfarab.com adel.ezzat@elfarab.com mahmoud.elhosseiny@elfarab.com	Tel: 202-37603946 Fax: 202-33352796
Ethiopia	Seif Tewfik Sherif Arada Sub City, Kebele 01/02, Global Insurance Bldg., 2nd Flr., Room 43, P.O. Box 2525, Addis Ababa	seif@ethionet.et nawanag@ethionet.et	Tel: 251-11-1563968 251-11-1563969 Fax: 251-11-1558009
Iraq	Al-Sard Co. for General Trading Ltd Jbara Bldg. 3Flr. Al Rasheed St., Baghdad, Iraq	dewalt.service@yahoo.com	Tel: 964-18184102
Jordan	Amman West Stores-Bashiti 210 Garden St. Tla'a Ali, P.O. Box 1564 Tla Ali Amman 11953, Jordan	ali@bashitistores.com yousef@bashitistores.com	Tel: 962-6-5350009 Fax: 962-6-5350012
Kenya	Dextron Tools Ltd. P.O. Box 20121-00200, Shariff House, Kimathi Street, Nairobi	info@alibhaishariff.co.ke dextron@alibhaishariff.co.ke	Tel: 254-20-6905000 254-20-2358021 Fax: 254-20-6905111 / 254-20-6905112
Lebanon	Est. Shaya & Azar S.A.R.L. Boulevard Jdeideh - Mar Takla - Bouchrieh . P.O. Box 90545, Jdeideh. Beirut - Lebanon	shayazar@dm.net.lb	Tel: 961 1 872305 961 1 872306 Fax: 961 1 872303
Libya	North Africa Trading (El Ghoul Brothers) P.O. Box 348, 7 October Street 11 Benghazi	maryam_farooq2003@yahoo.com nagte@eim.ae dewalt_libya@yahoo.com	Tel: 218-061-3383994 Fax: 218-092-7640688
	North Africa Trading (El Ghoul Brothers) AlBarniq DeWALT Center, Mokhazin-elsukar St. ElFallah, Tripoli	dewalt_libya@yahoo.com	Tel: 218-021-3606430 Fax: 218-092-6514813
	North Africa Trading (El Ghoul Brothers) AlHilal Service Center Tawergha St., Misurata		Tel: 218-091-3221408
Mauritius	Robert Le Marie Limited Old Moka Road, Bell Village, P.O. Box 161, Port Louis	a.blackburn.rm@rmgroup.mu jm.pierrelouis.rm@rmgroup.mu	Tel: 230-212 1865 230-212 2847 Fax: 230-2080843
Morocco	Ets Louis Guillaud & Cie 31, Rue Pierre Parent, Casablanca - 21000	boumadiane.azedine@elg.ma doukkail.marouane@elg.ma	Tel: 522-301446 / 305971 / 317815 / 315576 Fax: 522-444518 / 317888
Nigeria	Meridian Power Tools Ltd. Gr. Floor, #1 Alhaji Masha Rd, Next to Teslim Balogun Stadium, Near National Stadium Surulere, Lagos, Nigeria	braj@meridian-nigeria.com	Tel: 234-1-7740431 234-1-7740410 Fax: 234-1-7913798
Pakistan	Northern Toolings (Pvt) Ltd.-Lahore 86- Railway Road, Lahore - 7 Pakistan	zhayee@northern.pk import@northern.pk sales@northern.pk	Tel: 92-423-7651220 92-423-7641675 Fax: 92-423-7641674
	Northern Toolings (Pvt) Ltd.-Karachi 224-231 Industrial Town Plaza, Shahrah-e-Liaqat, Karachi, Pakistan	karachibr@northern.pk	Tel: 92-213-2465305 92-213-2465307 Fax: 92-213-2465301
	Northern Toolings (Pvt) Ltd.-Taxila Al-Rehman Plaza, Opposite Tehsil Court, Faisal Shaheed Road, Taxila	taxilabr@northern.pk	Tel: 92-51-4545811 Fax: 92-51-4544194
South Africa	Benray Tool Wholesalers C.C. 91 Turfontein Road, Stafford, Johannesburg, 2001 P.O. Box 260037 EXCOM 2023, South Africa	dewaltservice@benray.co.za zain@benray.co.za shafiq@benray.co.za	Tel: 27-11-6838350 Fax: 27-11-6837456
Tanzania	General Motors Investment Ltd. 14 Vingunguti-Nyerere Road, P.O.Box 16541, Dar es Salaam, Tanzania	ezra@gmi-tz.com info@gmi-tz.com chiwelesa@yahoo.com	Tel: 255-22-2865022 / 2862661 / 2862671 / 2862659 Fax: 255-22-2862667
Tunisia	Ets. Mohamed Ghorbel 03 Rue 8603 Chargaia I Tunis. Postal Code 2035	slim.ghorbel@gnet.tn moh.ghorbel@gnet.tn mourad.ghorbel@gnet.tn	Tel: 216-71794248 216-71793848 Fax: 216-71770759
Uganda	The Building Center (u) Ltd. 52 Station Road, Kitgum House, P.O. Box 7436 Kampala, Uganda	tbc@africaonline.co.ug chris@tbcu.co.ug	Tel: 256-041-4234567 256-041-4259754 Fax: 256-041-4236413
Yemen	Middle East Trading Co. (METCO) 5th Flr.Hayel Saeed Anam Bldg. Al-Mugamma St. Taiz, Yemen	tamer.metco@gmail.com tamer@metcotrading.com metco@metcotrading.com sami@metcotrading.com	Tel: 967-4-213455 Fax: 967-4-219869
	Middle East Trading Co. (METCO) Mualla Dakka, Aden	tamer.metco@gmail.com tamer@metcotrading.com metco@metcotrading.com	Tel: 967-2-222670 Fax: 967-2-222670
	Middle East Trading Co. (METCO) Hayel st., Sana'a, Yemen	tamer.metco@gmail.com tamer@metcotrading.com metco@metcotrading.com	Tel: 967-1-204201 Fax: 967-1-204204

UAE	Black & Decker (Overseas) GmbH P.O. Box 5420, Dubai	service.me@blackdecker.com	Tel: 971-4 8127400 / 8127406 Fax: 971-4 2822765	
	Ideal Star Workshop Eqpt. Trading LLC P.O. Box 37116, Al Quoz, Dubai	idealeq@emirates.net.ae	Tel: 971-4 3474160 Fax: 971-4 3474157	
	Alebrah Engineering Service P.O. Box 78954, Al Qusais, Dubai	alebrah@eim.ae	Tel: 971-4 2850044 Fax: 971-4 2844802	
	Burj Al Madeena Industrial Area No. 1, opp. Pakistani Masjid P.O. Box 37635, Sharjah	dewaltuae@hotmail.com	Tel: 971-6 5337747 Fax: 971-6 5337719	
	McCoy Middle East LLC P.O. Box 25793, Sharjah	mccoy@emirates.net.ae	Tel: 971-6 5395931 Fax: 971-6 5395932	
	McCoy Middle East LLC P.O. Box 10584, Ras Al Khaimah	mccoyrak@gmail.com	Tel: 971-7 2277095 Fax: 971-7 2277096	
	Al Sukoon Gen. Trdg. Co. LLC P.O. Box 2975, Ajman	sukoon@eim.ae	Tel: 971-6 7435725 / 7438317 Fax: 971-6 7437350	
	Zillion Equipment and Spare Parts Trading LLC P.O. Box 19740, opp. Bin Sadal / Trimix Redymix Sanaiya, Al Ain	zilliontrdg@gmail.com	Tel: 971-3 7216690 Fax: 971-3 7216103	
	Light House Electrical, Abu Dhabi Branch P.O. Box 120, Abu Dhabi	dewalt_lhe@hotmail.com	Tel: 971-2 6726131 Fax: 971-2 6720667	
	Light House Electrical, Musaffah Branch P.O. Box 120, Abu Dhabi	dewalt_lhe@hotmail.com	Tel: 971-2 5548315 Fax: 971-2 5540461	
	Bahrain	Alfouz Services Co. WLL P.O. Box 26562, Tubli, Manama	alfouz@batelco.com.bh	Tel: 973 17783562 / 17879987 Fax: 973 17783479
		Kavalani & Sons W.L.L. P.O. Box 71, Sitra, Manama	info@kavalani.com pradeep@kavalani.com	Tel: 973 17732888 Fax: 973 17737379
		Kuwait	Al Omar Technical Co. P.O. Box 4062, Safat 13041, Kuwait	alexotc@usa.net
	Fawaz Al Zayani Establishment P.O. Box 42426, Shop No.18, Al Hurnaizi Commercial Complex, Khalifa Al Jassim, Shuwaikh		dewaltkuwait@hotmail.com	Tel: 965 24828710 Fax: 965 24828716
Fawaz Al Zayani Establishment Fahaheel Industrial Area, Main St., Sanaya	dewaltkuwait@hotmail.com		Tel: 965 23925830 Fax: 965 24828716	
Oman	Al Jizzi Company LLC P.O. Box 1704, P.C. 112, Ruwi	aljizied@omantel.net.om jizzi10@omantel.net.om	Tel: 968 24832618 / 24835153 Fax: 968 24831334 / 24836460	
	Al Hassan Technical & Construction Supplies Co. LLC P.O. Box 1948, P.C. 112, Ruwi	hamriya.sr@al-hassan.com abrar.h@al-hassan.com	Tel: 968 24810575 / 24837054 Fax: 968 24810287 / 24833080	
	Oman Hardware Co. LLC P.O. Box 635, Ruwi Postal Code 112	omanhard@omantel.net.om	Tel: 968 24815131 Fax: 968 24816491	
	Khimji Ramdas P.O. Box 19, Post Code 100, Ghala, Muscat	bilal.m@khimjiramdas.com	Tel: 968 24595906/ 907 Fax: 968 24852752	
	Qatar	Teyseer Industrial Supplies & Services Co. WLL 55, Al Wakalat St. (Between St. 18 & 19) Salwa Industrial Area, P.O. Box 40523 Doha	manish@tissco-qatar.com tool.service@tissco-qatar.com	Tel: 974 4581536 Fax: 974 4682024
Shaheen Electrical Works & Trading Co. WLL Gate 34, St. 44 Industrial Area P.O. Box 9756, Doha		shaheenelc@gmail.com	Tel: 974 460 02 30 / 460 05 25 Fax: 974 460 13 38	
KSA		Industrial Material Organization (IMO) P.O. Box 623, Rail Street, Riyadh	service@imo.com.sa	Tel: 966-1 4028010 Ext. 26 Tel: 966-1 8001245757 Fax: 966-1 4037970
	Fawaz Ebrahim Al Zayani Trading Est. P.O. Box 76026, Al Raka : 31952	dewaltdammam@hotmail.com	Tel: 966-3 8140914 Fax: 966-3 8140824	
	MSS (Al-Mojil Supply & Services) P.O. Box 450, Jubail 31951 Opp-Gulf Bridge Library & Riyadh House	mssjubail@almojilservices.com alex.chang@almojilservices.com	Tel: 966-3 3612850 / 3624487 Tel: 966-3 3621729 Fax: 966-3 3623589 / 3620783	
	EAC (Al Yousef Contg. & Trdg. Est.) P.O. Box 30377, Jeddah -21477	golamkibria77@yahoo.com	Tel: 966-2 6519912 Fax: 966-2 6511153	
	Mohamed Ahmed Bin Aff Est. P.O. Box 530, Yanbu, Al Bahr	binaffyanbu@hotmail.com	Tel: 966-4 3222626 / 3228867 Fax: 966-4 3222210	
	Garziz Trading for Bldg Mat & Decoration P.O. Box 3364, Madina	agarziz@yahoo.com	Tel: 966-4 826 14 90 / 822 76 36 Fax: 966-4 826 57 41	
	Sultan Garment Factory (RSC) P.O. Box 29912, Riyadh 11467	rscservice@digl.net.sa	Tel: 966-1 4055148 / 4042889 Fax: 966-1 4055148	
	Al Bawardi Tools & Hardware P.O. Box 112, Dammam 31411	asattar@albawardi.com nibanez@albawardi.com	Tel: 966-3 8330780 Ext. 24 Tel: 966-3 8348585 Ext. 24 Fax: 966-3 8336303	
	Al Bawardi Tools & Hardware P.O. Box 68, Riyadh 11411	rbaltao@albawardi.com asamad@albawardi.com	Tel: 966-1 4484999 Fax: 966-3 4487877	
	Al Bawardi Tools & Hardware P.O. Box 16905, Jeddah 21474	sharadj@albawardi.com fgaber@albawardi.com	Tel: 966-2 6444547 / 6439035 Tel: 966-2 6456095 Fax: 966-2 6439024	