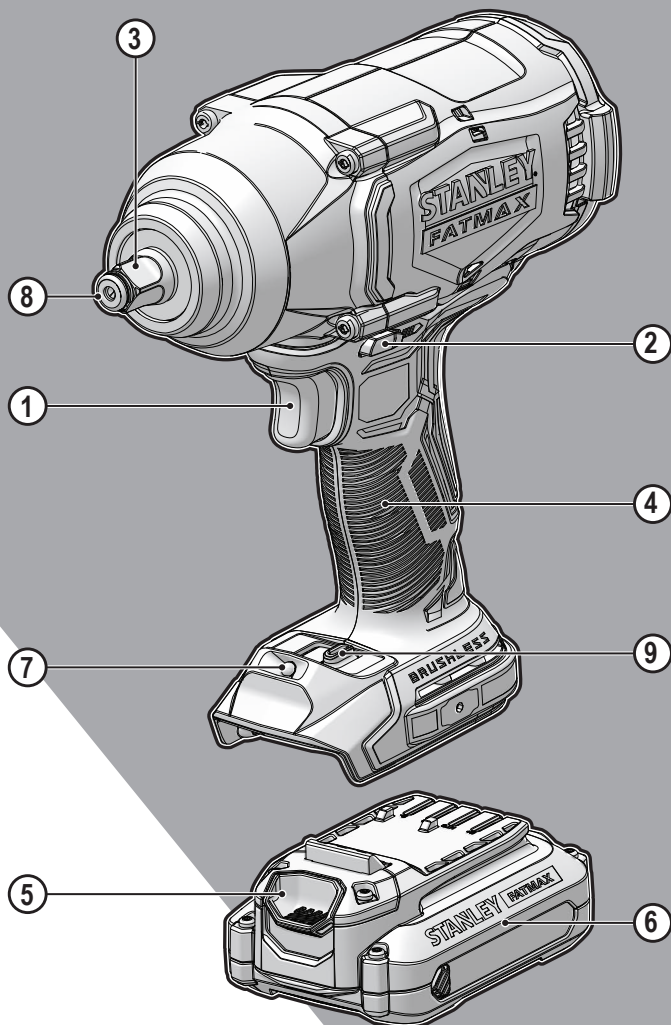


STANLEY®

FATMAX®



www.stanley.eu

SFMCF940

English (**original instructions**)

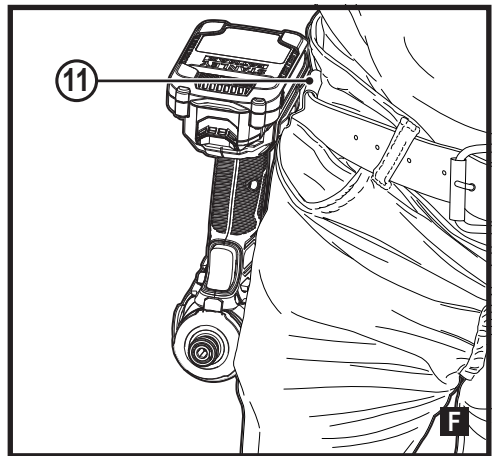
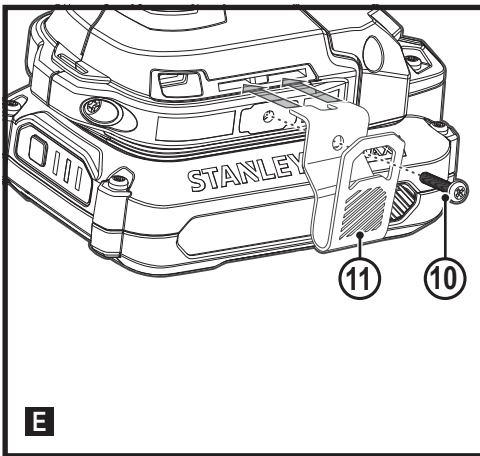
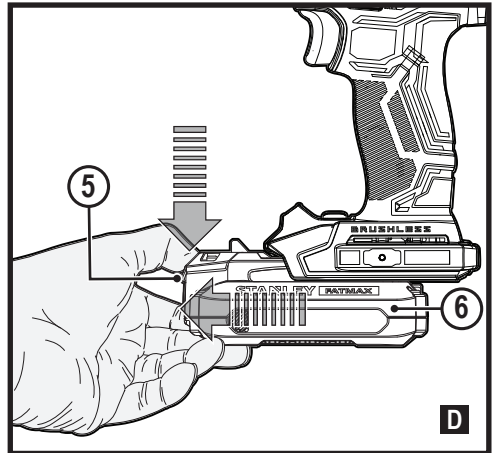
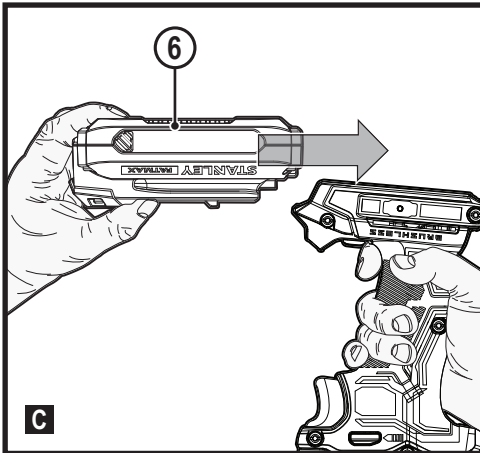
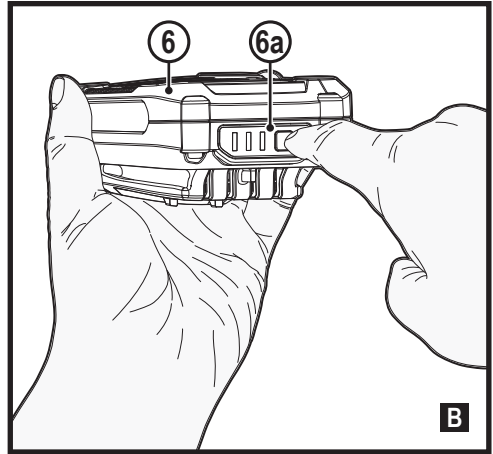
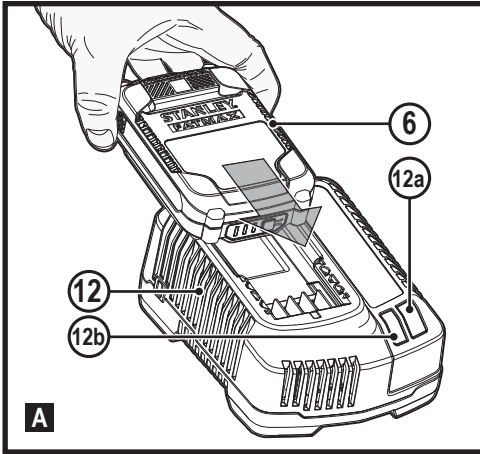
4

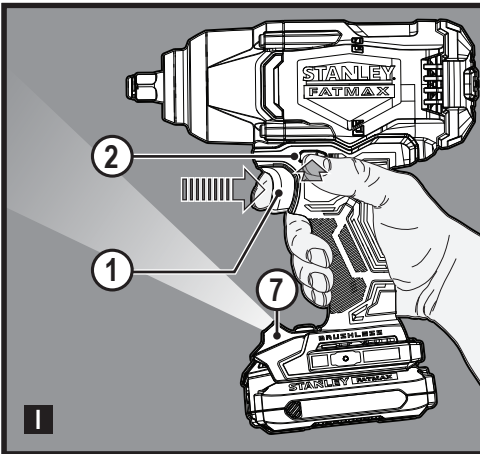
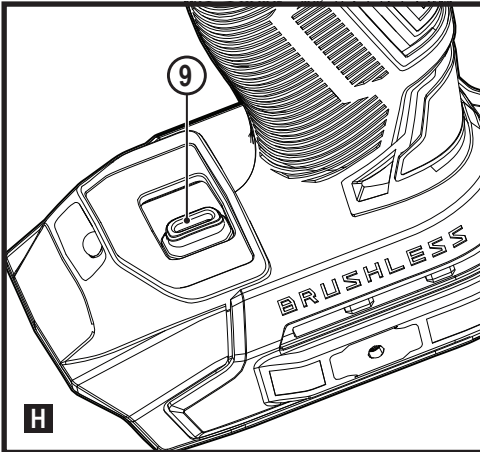
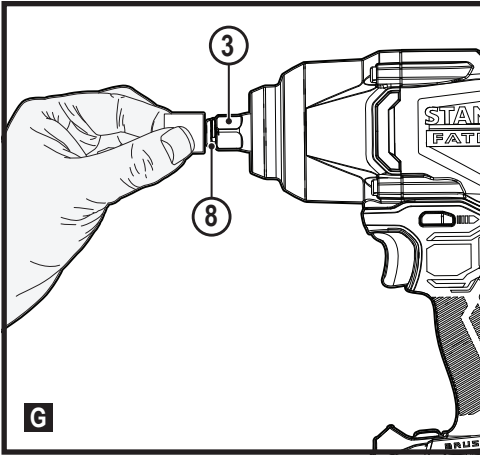
Русский (*перевод с оригинала инструкции*)

11

Українська (*переклад з оригінальної інструкції*)

22





Intended use

Your STANLEY FATMAX SFMCF940 impact wrench has been designed for impact fastening applications. This appliance is intended for professional and private, non professional users.

General power tool safety warnings



Warning! Read all safety warnings, instructions, illustrations and specifications provided with this power tool. Failure to follow the warnings and instructions listed below may result in electric shock, fire and/or serious injury..

Save all warnings and instructions for future reference.

The term "power tool" in the warnings refers to your mains operated (corded) power tool or battery operated (cordless) power tool.

1. Work area safety

- a. **Keep work area clean and well lit.** Cluttered or dark areas invite accidents.
- b. **Do not operate power tools in explosive atmospheres, such as in the presence of flammable liquids, gases or dust.** Power tools create sparks which may ignite the dust or fumes.
- c. **Keep children and bystanders away while operating a power tool.** Distractions can cause you to lose control.

2. Electrical safety

- a. **Power tool plugs must match the outlet. Never modify the plug in any way.**
Do not use any adapter plugs with earthed (grounded) power tools. Unmodified plugs and matching outlets will reduce risk of electric shock.
- b. **Avoid body contact with earthed or grounded surfaces such as pipes, radiators, ranges and refrigerators.** There is an increased risk of electric shock if your body is earthed or grounded.
- c. **Do not expose power tools to rain or wet conditions.** Water entering a power tool will increase the risk of electric shock.
- d. **Do not abuse the cord. Never use the cord for carrying, pulling or unplugging the power tool. Keep cord away from heat, oil, sharp edges or moving parts.** Damaged or entangled cords increase the risk of electric shock.
- e. **When operating a power tool outdoors, use an extension cord suitable for outdoor use.** Use of a cord suitable for outdoor use reduces the risk of electric shock.
- f. **If operating a power tool in a damp location is unavoidable, use a residual current device (RCD) protected supply.** Use of an RCD reduces the risk of electric shock.

3. Personal safety

- a. **Stay alert, watch what you are doing and use common sense when operating a power tool.**

Do not use a power tool while you are tired or under the influence of drugs, alcohol or medication. A moment of inattention while operating power tools may result in serious personal injury.

- b. **Use personal protective equipment. Always wear eye protection.** Protective equipment such as a dust mask, non-skid safety shoes, hard hat, or hearing protection used for appropriate conditions will reduce personal injuries.
- c. **Prevent unintentional starting. Ensure the switch is in the off-position before connecting to power source and/or battery pack, picking up or carrying the tool.** Carrying power tools with your finger on the switch or energising power tools that have the switch on invites accidents.
- d. **Remove any adjusting key or wrench before turning the power tool on.** A wrench or a key left attached to a rotating part of the power tool may result in personal injury.
- e. **Do not overreach. Keep proper footing and balance at all times.** This enables better control of the power tool in unexpected situations.
- f. **Dress properly. Do not wear loose clothing or jewellery. Keep your hair, clothing and gloves away from moving parts.** Loose clothes, jewellery or long hair can be caught in moving parts.
- g. **If devices are provided for the connection of dust extraction and collection facilities, ensure these are connected and properly used.** Use of dust collection can reduce dust-related hazards.
- h. **Do not let familiarity gained from frequent use of tools allow you to become complacent and ignore tool safety principles.** A careless action can cause severe injury within a fraction of a second.

4. Power tool use and care

- a. **Do not force the power tool. Use the correct power tool for your application.**
The correct power tool will do the job better and safer at the rate for which it was designed.
- b. **Do not use the power tool if the switch does not turn it on and off.** Any power tool that cannot be controlled with the switch is dangerous and must be repaired.
- c. **Disconnect the plug from the power source and/or the battery pack from the power tool before making any adjustments, changing accessories, or storing power tools.** Such preventive safety measures reduce the risk of starting the power tool accidentally.
- d. **Store idle power tools out of the reach of children and do not allow persons unfamiliar with the power tool or these instructions to operate the power tool.**

Power tools are dangerous in the hands of untrained users.

- e. **Maintain power tools and accessories. Check for misalignment or binding of moving parts, breakage of parts and any other condition that may affect the power tools operation. If damaged, have the power tool repaired before use.** Many accidents are caused by poorly maintained power tools.
- f. **Keep cutting tools sharp and clean.** Properly maintained cutting tools with sharp cutting edges are less likely to bind and are easier to control.
- g. **Use the power tool, accessories and tool bits etc. in accordance with these instructions, taking into account the working conditions and the work to be performed.**
Use of the power tool for operations different from those intended could result in a hazardous situation.
- h. **Keep handles and grasping surfaces dry, clean and free from oil and grease.** Slippery handles and grasping surfaces do not allow for safe handling and control of the tool in unexpected situations.

5. Battery tool use and care

- a. **Recharge only with the charger specified by the manufacturer.**
A charger that is suitable for one type of battery pack may create a risk of fire when used with another battery pack.
- b. **Use power tools only with specifically designated battery packs.** Use of any other battery packs may create a risk of injury and fire.
- c. **When battery pack is not in use, keep it away from other metal objects, like paper clips, coins, keys, nails, screws, or other small metal objects, that can make a connection from one terminal to another.** Shorting the battery terminals together may cause burns or a fire.
- d. **Under abusive conditions, liquid may be ejected from the battery; avoid contact. If contact accidentally occurs, flush with water. If liquid contacts eyes, additionally seek medical help.** Liquid ejected from the battery may cause irritation or burns.
- e. **Do not use a battery pack or tool that is damaged or modified.** Damaged or modified batteries may exhibit unpredictable behaviour resulting in fire, explosion or risk of injury.
- f. **Do not expose a battery pack or tool to fire or excessive temperature.** Exposure to fire or temperature above 130 °C may cause explosion.
- g. **Follow all charging instructions and do not charge the battery pack or tool outside the temperature range specified in the instructions.** Charging improperly or at temperatures outside the specified range may damage the battery and increase the risk of fire.

6. Service

- a. **Have your power tool serviced by a qualified repair person using only identical replacement parts.**
This will ensure that the safety of the power tool is maintained.
- b. **Never service damaged battery packs.** Service of battery packs should only be performed by the manufacturer or authorized service providers.

Additional power tool safety warnings



Warning! Additional safety warnings for wrenches and impact wrenches.

- ◆ **Hold the power tool by insulated gripping surfaces, when performing an operation where the fastener may contact hidden wiring.** Fasteners contacting a "live" wire may make exposed metal parts of the power tool "live" and could give the operator an electric shock.
- ◆ **The intended use is described in this instruction manual.** The use of any accessory or attachment or performance of any operation with this tool other than those recommended in this instruction manual may present a risk of personal injury and/or damage to property.

Safety of others

- ◆ This tool is not intended for use by persons (including children) with reduced physical, sensory or mental capabilities, or lack of experience and knowledge, unless they have been given supervision or instruction concerning use of the appliance by a person responsible for their safety.
- ◆ Children should be supervised to ensure that they do not play with the appliance.

Residual risks

Additional residual risks may arise when using the tool which may not be included in the enclosed safety warnings. These risks can arise from misuse, prolonged use etc. Even with the application of the relevant safety regulations and the implementation of safety devices, certain residual risks can not be avoided. These include:

- ◆ Injuries caused by touching any rotating/moving parts.
- ◆ Injuries caused when changing any parts, blades or accessories.
- ◆ Injuries caused by prolonged use of a tool. When using any tool for prolonged periods ensure you take regular breaks.
- ◆ Impairment of hearing.
- ◆ Health hazards caused by breathing dust developed when using your tool (example:- working with wood, especially oak, beech and MDF.)

Vibration

The declared vibration emission values stated in the technical data and the declaration of conformity have been measured in accordance with a standard test method provided by EN62841 and may be used for comparing one tool with another.

The declared vibration emission value may also be used in a preliminary assessment of exposure.

Warning! The vibration emission value during actual use of the power tool can differ from the declared value depending on the ways in which the tool is used. The vibration level may increase above the level stated.

When assessing vibration exposure to determine safety measures required by 2002/44/EC to protect persons regularly using power tools in employment, an estimation of vibration exposure should consider, the actual conditions of use and the way the tool is used, including taking account of all parts of the operating cycle such as the times when the tool is switched off and when it is running idle in addition to the trigger time.

Labels on tool

The following symbols are shown on the tool along with the date code:



Warning! To reduce the risk of injury, the user must read the instruction manual.



Do not stare at operating lamp

Additional safety instructions for batteries and chargers (Not provided with the tool)

Batteries

- ◆ Never attempt to open for any reason.
- ◆ Do not expose the battery to water.
- ◆ Do not store in locations where the temperature may exceed 40 °C.
- ◆ Charge only at ambient temperatures between 10 °C and 40 °C.
- ◆ Charge only using the charger provided with the tool.
- ◆ When disposing of batteries, follow the instructions given in the section "Protecting the environment".



Do not attempt to charge damaged batteries.

Chargers

- ◆ Use your STANLEY FATMAX charger only to charge the battery in the tool with which it was supplied. Other batteries could burst, causing personal injury and damage.

Never attempt to charge non-rechargeable batteries.

- ◆ Have defective cords replaced immediately.
- ◆ Do not expose the charger to water.
- ◆ Do not open the charger.
- ◆ Do not probe the charger.



The charger is intended for indoor use only.



Read the instruction manual before use.

Electrical safety



Your charger is double insulated; therefore no earth wire is required. Always check that the mains voltage corresponds to the voltage on the rating plate. Never attempt to replace the charger unit with a regular mains plug.

- ◆ If the supply cord is damaged, it must be replaced by the manufacturer or an authorised STANLEY FATMAX Service Centre in order to avoid a hazard.

Features

This appliance includes some or all of the following features.

1. Variable speed trigger
2. Forward/reverse control button
3. Anvil
4. Main handle
5. Battery release button
6. Battery pack
7. Worklight
8. Hog ring
9. Speed selector

Assembly

Warning! Before assembly, remove the battery from the tool.

Charging the battery (Fig. A)

The battery needs to be charged before first use and whenever it fails to produce sufficient power on jobs that were easily done before.

The battery may become warm while charging; this is normal and does not indicate a problem.




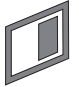


Warning! Do not charge the battery at ambient temperatures below 10 °C or above 40 °C. Recommended charging temperature: approx. 24 °C.

Note: The charger will not charge a battery if the cell temperature is below approximately 10 °C or above 40 °C. The battery should be left in the charger and the charger will begin to charge automatically when the cell temperature warms up or cools down.

Note: To ensure maximum performance and life of lithium-ion battery packs, charge the battery pack fully before first use.

- ◆ Plug the charger (12) into an appropriate outlet before inserting battery pack (6).
- ◆ The green charging light (12a) will blink continuously indicating that the charging process has started.
- ◆ The completion of charge will be indicated by the green charging light (12a) remaining ON continuously. The battery pack (6) is fully charged and may be removed and used at this time or left in the charger (12).
- ◆ Charge discharged batteries within 1 week. Battery life will be greatly diminished if stored in a discharged state.

Charger LED Modes

	Charging: Green LED Intermittent	
	Fully Charged: Green LED Solid	
	Hot/Cold Pack Delay: Green LED Intermittent Red LED Solid	

Note: The compatible charger(s) will not charge a faulty battery pack. The charger will indicate a faulty battery pack by refusing to light.

Note: This could also mean a problem with a charger. If the charger indicates a problem, take the charger and battery pack to be tested at an authorized service centre.

Leaving the battery in the charger

The charger and battery pack can be left connected with the LED glowing indefinitely. The charger will keep the battery pack fresh and fully charged.

Hot/Cold Pack Delay

When the charger detects a battery that is too hot or too cold, it automatically starts a Hot/Cold Pack Delay, the green LED (12a) will flash intermittently, while the red LED (12b) will remain on continuously, suspending charging until the battery has reached an appropriate temperature. The charger then automatically switches to the pack charging mode. This feature ensures maximum battery life.

Battery state of charge indicator (Fig. B)

The battery includes a state of charge indicator to quickly determine the extent of battery life as shown in figure B. By

pressing the state of charge button (6a) you can easily view the charge remaining in the battery as illustrated in figure B.



Installing and Removing the Battery Pack from the tool

Warning! Make certain the lock-off button is engaged to prevent switch actuation before removing or installing battery.

To install battery pack (Fig. C)

- ◆ Insert battery pack (6) firmly into tool until an audible click is heard as shown in figure C. Ensure battery pack is fully seated and fully latched into position.

To remove battery pack (Fig. D)

- ◆ Depress the battery release button (5) as shown in figure D and pull battery pack out of tool.

Belt hook (Optional extra) (Fig. E, F)

Warning! To reduce the risk of serious personal injury, place the forward/reverse button in the lock-off position or turn tool off and disconnect battery pack before making any adjustments or removing/installing attachments or accessories.

An accidental start-up can cause injury.

Warning! To reduce the risk of serious personal injury, ONLY use the tool's belt hook (11) to hang the tool from a work belt. DO NOT use the belt hook (11) for tethering or securing the tool to a person or object during use. DO NOT suspend tool overhead or suspend objects from the belt hook.

Warning! To reduce the risk of serious personal injury, ensure the screw (10) holding the belt hook is secure.

Note: When attaching or replacing the belt hook (11), use only the screw (10) that is provided. Be sure to securely tighten the screw.

The belt hook (11) can be attached to either side of the tool using only the screw (10) provided, to accommodate left- or right-handed users. If the hook is not desired at all, it can be removed from the tool.

To move the belt hook, remove the screw (10) that holds the belt hook (11) in place then reassemble on the opposite side. Be sure to securely tighten the screw (10).

Note: Various trackwall hooks and storage configurations are available.

Please visit our website www.stanley.eu/3 for further information.

Anvil (fig. G)

Warning! Use only impact accessories.

Non-impact accessories may break and cause a hazardous condition. Inspect accessories prior to use to ensure that it contains no cracks.

Warning! Inspect anvils and hog rings prior to use. Missing or damaged items should be replaced before use.

- ◆ Lock the tool by setting the forward/reverse slider (2) to the centre position.
- ◆ To install an accessory on the hog ring anvil, firmly push accessory onto the anvil (3). The hog ring (8) compresses to allow the accessory to slide on. After accessory is installed, the hog ring applies pressure to help provide accessory retention.
- ◆ To remove an accessory, grasp the accessory and firmly pull it off.

Speed selector (fig. H)

Your tool is equipped with a speed selector (9) which allows you to select one of three speeds. Select the mode based on the application and control the speed of the tool using the variable speed trigger switch (1).

- ◆ **Speed 1** 0 - 450 rpm
- ◆ **Speed 2** 0 - 1200 rpm
- ◆ **Speed 3** 0 - 2000 rpm

Your impact tool can generate the following maximum torque values:

Speed	Output Torque
Speed 1	100Ft. Lbs / 130 Nm
Speed 2	300Ft. Lbs / 400 Nm
Speed 3	700Ft. Lbs / 950 Nm

Note: Output torque is dependent on the speed selected, with the highest provided in **Speed 3**.

Use

Warning! Let the tool work at its own pace. Do not overload.

Selecting the direction of rotation (fig. I)

For tightening, use forward (clockwise) rotation. For loosening, use reverse (counterclockwise) rotation.

- ◆ To select forward rotation, push the forward/reverse slider (2) to the left.
- ◆ To select reverse rotation, push the forward/reverse slider to the right.
- ◆ To lock the tool, set the forward/reverse slider into the centre position.

Usage

- ◆ Place the accessory on the fastener head. Keep the tool pointed straight at the fastener.

- ◆ Press variable speed trigger switch (1) to start operation. Release variable speed trigger switch to stop operation. Always check torque with a torque wrench, as the fastening torque is affected by many factors including the following:
 - ◆ **Voltage:** Low voltage, due to a nearly discharged battery, will reduce fastening torque.
 - ◆ **Accessory size:** Failure to use the correct accessory size will cause a reduction in fastening torque.
 - ◆ **Bolt size:** Larger bolt diameters generally require higher fastening torque. Fastening torque will also vary according to length, grade, and torque coefficient.
 - ◆ **Bolt:** Ensure that all threads are free of rust and other debris to allow proper fastening torque.
 - ◆ **Material:** The type of material and surface finish of the material will affect fastening torque.
 - ◆ **Fastening time:** Longer fastening time results in increased fastening torque. Using a longer fastening time than recommended could cause the fasteners to be overstressed, stripped or damaged.

LED work lights

The worklight (7) is activated when the trigger switch is depressed, and will automatically turn off 20 seconds after the trigger switch is released. If the trigger switch remains depressed, the worklight will remain on.

Note: The worklights are for lighting the immediate work surface and are not intended to be used as a flashlight.

Maintenance

Your STANLEY FATMAX tool has been designed to operate over a long period of time with a minimum of maintenance. Continuous satisfactory operation depends upon proper tool care and regular cleaning.

Your charger does not require any maintenance apart from regular cleaning.

Warning! Before performing any maintenance on the tool, remove the battery from the tool. Unplug the charger before cleaning it.

- ◆ Regularly clean the ventilation slots in your tool and charger using a soft brush or dry cloth.
- ◆ Regularly clean the motor housing using a damp cloth. Do not use any abrasive or solvent-based cleaner.
- ◆ Regularly open the chuck and tap it to remove any dust from the interior.

Protecting the environment



Separate collection. Products and batteries marked with this symbol must not be disposed of with normal household waste.

Products and batteries contain materials that can be recovered or recycled reducing the demand for raw materials. Please recycle electrical products and batteries according to local provisions. Further information is available at www.2helpU.com

Technical data

		SFMC940
Voltage	V_{DC}	18
No-load speed	Min^{-1}	450 / 1200 / 2000
Beats	BPM	0 - 2600
Max. torque (PTI Method)	Nm	950
Anvil Size	inches	1 / 2
Weight	kg	2.70

Charger		SFMCB11	SFMCB12 / SC200	SFMCB14
Input Voltage	V_{AC}	230	230	230
Output Voltage	V_{DC}	18	18	18
Current	A	1.25	2	4

Battery		SFMCB201 / SB201	SFMCB202 / SB202	SFMCB204 / SB204	SFMCB206
Voltage	V_{DC}	18	18	18	18
Capacity	Ah	1.5	2.0	4.0	6.0
Type		Li-Ion	Li-Ion	Li-Ion	Li-Ion

Level of sound pressure according to EN 62841:

Sound pressure (L_{pA}) 98 dB(A), uncertainty (K) 3 dB(A)

Sound power (L_{WA}) 106 dB(A), uncertainty (K) 3 dB(A)

Vibration total values (triax vector sum) according to EN 62841:

Impact tightening of fasteners (a_{rh}) 14.1 m/s^2 , uncertainty (K) 1.5 m/s^2

Declaration of Conformity

The Supply of Machinery (Safety) Regulations 2008

**UK
CA**

Cordless Impact Wrench - SFMCF940
 STANLEY FATMAX declares that these products described under "technical data" are in compliance with:
 The Supply of Machinery (Safety) Regulations, 2008, S.I. 2008/1597 (as amended), EN 62841-1:2015 + AC:2015 + A11:2022; EN62841-2-2:2014.
 These products conform to the following UK Regulations:
 Electromagnetic Compatibility Regulations, 2016,

S.I.2016/1091 (as amended).

The Restriction of the Use of Certain Hazardous Substances in Electrical and Electronic Equipment Regulations 2012, S.I. 2012/3032 (as amended).

For more information, please contact STANLEY FATMAX at the following address or refer to the back of the manual.

The undersigned is responsible for compilation of the technical file and makes this declaration on behalf of STANLEY FATMAX.



Karl Evans
Director – Consumer Power Tools
STANLEY FATMAX, 270 Bath Road, Slough,
Berkshire, SL1 4DX
United Kingdom
30/11/2022

EC declaration of conformity

MACHINERY DIRECTIVE



Cordless Impact Wrench - SFMCF940

STANLEY FATMAX declares that these products described under EN 62841-1:2015 + AC:2015 +A11:2022; EN62841-2-2:2014.

These products also comply with Directive 2006/42/EC, 2014/30/EU and 2011/65/EU. For more information, please contact STANLEY FATMAX at the following address or refer to the back of the manual.

For more information, please contact STANLEY FATMAX at the following address or refer to the back of the manual.

The undersigned is responsible for compilation of the technical file and makes this declaration on behalf of STANLEY FATMAX.



Patrick Diepenbach
General Manager, Benelux
STANLEY FATMAX,
Egide Walschaertsstraat 14-18
2800 Mechelen, Belgium
30/11/2022

Guarantee

STANLEY FATMAX is confident of the quality of its products and offers consumers a 12 month guarantee from the date of purchase. This guarantee is in addition to and in no way prejudices your statutory rights. The guarantee is valid within the territories of the Member States of the European Union, European Free Trade area and the United Kingdom.

To claim on the guarantee, the claim must be in accordance with STANLEY FATMAX Terms and Conditions and you will need to submit proof of purchase to the seller or an authorised repair agent.

Terms and conditions of the STANLEY FATMAX 1 year guarantee and the location of your nearest authorised repair agent can be obtained on the Internet at www.2helpU.com, or by contacting your local STANLEY FATMAX office at the address indicated in this manual.

Please visit our website www.stanley.eu/3 to register your new STANLEY FATMAX product and receive updates on new products and special offers.

Назначение

Ваш ударный гайковерт STANLEY FATMAX SFMCF940 предназначен для работ по ударному затягиванию крепежных элементов. Данный инструмент предназначен как для профессионального использования, так и для бытового использования частными пользователями.

Общие правила безопасности при работе с электроинструментом



Осторожно! Прочтите все правила техники безопасности, инструкции, иллюстрации и спецификации по данному электроинструменту. Несоблюдение представленных ниже предупреждений и инструкций может привести к поражению электрическим током, возгоранию и/или тяжелым травмам.

Сохраните все инструкции для последующего обращения к ним. Термин «электроинструмент» в предупреждениях относится к питаемому от электросети (проводному) или от аккумуляторных батарей (беспроводному) электроинструменту.

1. Безопасность на рабочем месте

- a. **Содержите рабочее место в чистоте и обеспечьте его хорошую освещенность.** Захламление или плохое освещение рабочего места может стать причиной несчастного случая.
- b. **Не используйте электроинструмент во взрывоопасной атмосфере, например, при наличии горючих жидкостей, газов или пыли.** Искры, возникающие при работе электроинструмента, могут привести к воспламенению пыли или паров.
- c. **Не разрешайте детям и посторонним лицам находиться рядом с вами во время работы с электроинструментом.** Отвлекаясь от работы, вы можете потерять контроль над инструментом.

2. Электробезопасность

- a. **Сетевые вилки электроинструмента должны соответствовать розеткам. Никогда не меняйте штепсельную вилку инструмента.** Запрещается использовать переходники к вилкам для электроинструментов с заземлением. Использование оригинальных штепсельных вилок, соответствующих типу сетевой розетки снижает риск поражения электрическим током.
- b. **Следует избегать контакта с заземленными поверхностями, такими как трубы, радиаторы, батареи и холодильники.** Если вы будете заземлены, увеличивается риск поражения

электрическим током.

- c. **Не допускайте нахождения электроинструментов под дождем или в условиях повышенной влажности.** При попадании воды в электроинструмент, риск поражения электрическим током возрастает.
 - d. **Бережно обращайтесь с кабелем питания. Не используйте кабель для переноски инструмента и не тяните за него в попытке отключить инструмент от сети.** Держите кабель подальше от источников тепла, масла, острых углов или движущихся предметов. Поврежденный или запутанный кабель питания повышает риск поражения электротоком.
 - e. **При работе с электроинструментом вне помещения необходимо пользоваться удлинителем, рассчитанным на эксплуатацию в соответствующих условиях.** Использование удлинителя, предназначенного для использования вне помещения, снижает риск поражения электрическим током.
 - f. **При необходимости эксплуатации электроинструмента в местах с повышенной влажностью, используйте устройство защитного отключения (УЗО).** Использование УЗО снижает риск поражения электрическим током.
- ### 3. Индивидуальная безопасность
- a. **При работе с электроинструментом сохраняйте бдительность, действуйте внимательно и руководствуйтесь здравым смыслом.** Не работайте с электроинструментом, если вы устали, находитесь в состоянии наркотического, алкогольного опьянения или под воздействием лекарственных препаратов. Минутная невнимательность во время работы с инструментом может привести к серьезным травмам.
 - b. **Используйте средства индивидуальной защиты. Всегда используйте защитные очки.** Средства защиты, такие как пылезащитная маска, обувь с нескользящей подошвой, каска и защитные наушники, используемые при работе, снижают риск травм.
 - c. **Примите меры для предотвращения случайного включения.** Перед тем как подключить электроинструмент к источнику питания и/или аккумуляторной батарее, взять инструмент или перенести его на другое место, убедитесь, что выключатель находится в положении выключения. Переноска подключенного электроинструмента с пальцем на выключателе или подключение к сети электроинструмента со включенным выключателем создает риск несчастных случаев.

- d. **Уберите все регулировочные или гаечные ключи перед включением электроинструмента.** Ключ, оставленный на вращающейся части электроинструмента, может нанести травмы.
 - e. **Не пытайтесь дотянуться до слишком удаленных поверхностей. Всегда твердо стойте на ногах, сохраняя равновесие.** Это позволит лучше контролировать электроинструмент в непредвиденных ситуациях.
 - f. **Надевайте подходящую одежду. Не носите свободную одежду и ювелирные украшения.** Следите за тем, чтобы волосы, одежда и перчатки не попадали под движущиеся детали. Возможно наматывание элементов одежды, ювелирных изделий и длинных волос на движущиеся детали.
 - g. **При наличии устройств для подключения оборудования для удаления и сбора пыли необходимо обеспечить правильность их подключения и эксплуатации.** Использование пылеуловителя снижает соответствующие риски.
 - h. **Не допускайте самонадеянности и игнорирования правил техники безопасности даже при большом опыте работы с инструментом.** Небрежное действие может стать причиной серьезной травмы за долю секунды.
- 4. Эксплуатация электроинструмента и уход за ним**
- a. **Избегайте чрезмерной нагрузки электроинструмента. Используйте электроинструмент в соответствии с назначением.** Правильно подобранный электроинструмент выполнит работу более эффективно и безопасно при стандартной нагрузке.
 - b. **Не пользуйтесь инструментом, если его выключатель не работает.** Любой электроинструмент, управлять включением и выключением которого невозможно, опасен и должен быть отремонтирован.
 - c. **Перед выполнением любой регулировки, заменой дополнительных принадлежностей или хранением электроинструмента отключите его от сети или извлеките батарею.** Подобные предупредительные меры безопасности позволяют уменьшить опасность непреднамеренного включения инструмента.
 - d. **Храните электроинструмент в недоступном для детей месте и не позволяйте работать с инструментом людям, не имеющим соответствующих навыков работы с такого рода инструментами.** Электроинструмент представляет опасность в руках неопытных пользователей.
 - e. **Поддерживайте исправное состояние электроинструмента и дополнительных принадлежностей.** Проверьте движущиеся детали на точность совмещения или заклинивание, отсутствие поломок или каких-либо других условий, которые могут повлиять на эксплуатацию электроинструмента. В случае обнаружения повреждений, прежде чем приступить к эксплуатации электроинструмента, его следует отремонтировать. Большинство несчастных случаев являются следствием недостаточного технического ухода за электроинструментом.
- 5. Использование аккумуляторных инструментов и уход за ними**
- a. **Используйте для зарядки аккумуляторной батареи только указанное производителем зарядное устройство.** Использование зарядного устройства определенного типа для зарядки других аккумуляторных батарей может быть опасно.
 - b. **Используйте с электроинструментом только аккумуляторные батареи указанного типа.** Использование других аккумуляторных батарей может привести к травмам и пожару.
 - c. **Оберегайте неиспользуемую аккумуляторную батарею от попадания в нее скрепок, монет, ключей, гвоздей, болтов или других мелких металлических предметов которые могут вызывать замыкание контактов.** Короткое замыкание контактов батареи может привести к возгоранию или ожогам.
 - d. **При повреждении батареи, из нее может вытечь электролит; избегайте контакта с ним. При случайном контакте с электролитом смойте его водой. При попадании электролита в глаза обратитесь за медицинской помощью.** Жидкость, находящаяся внутри батареи, может вызвать

раздражение или ожоги.

- e. **Не используйте поврежденные или измененные аккумуляторные батареи или инструменты.** Поврежденные или измененные аккумуляторные батареи могут работать непредсказуемо, что может привести к возгоранию, взрыву или травмам.
 - f. **Не подвергайте аккумуляторные батареи или инструмент воздействию огня или повышенной температуры.** Воздействие открытого огня или температуры выше 130 °C может привести к взрыву.
 - g. **Следуйте всем инструкциям по зарядке и не заряжайте аккумуляторную батарею или инструмент вне температурного диапазона, указанного в инструкции.** Неправильная зарядка или зарядка вне указанного температурного диапазона может привести к повреждению батареи и повысить риск возгорания.
6. **Сервисное обслуживание**
- a. **Обслуживание электроинструмента должно выполняться только квалифицированным техническим персоналом.**
Это позволит обеспечить безопасность обслуживаемого электроинструмента.
 - b. **Не выполняйте обслуживание поврежденных аккумуляторных батарей.** Обслуживание аккумуляторных батарей должно выполняться только производителем или авторизованными поставщиками услуг.

Дополнительные правила техники безопасности при работе с электроинструментом



Осторожно! Дополнительные правила техники безопасности при использовании гайковертов и ударных гайковертов.

- ◆ **Удерживайте инструмент за изолированные поверхности захватывания при выполнении работ, во время которых имеется вероятность контакта крепежного элемента со скрытой электропроводкой.** Если вы держитесь за металлические детали инструмента, в случае соприкосновения с находящимся под напряжением провода возможно поражение оператора электрическим током.
- ◆ **Далее в руководстве приводятся виды работ, для которых предназначен данный инструмент.** Применение любых принадлежностей и приспособлений, а также выполнение любых операций помимо тех, которые рекомендованы данным руководством, может привести к травме.

Безопасность окружающих

- ◆ Данный инструмент не предназначен для

использования лицами (включая детей) с ограниченными физическими, сенсорными или ментальными возможностями, а также лицами без достаточного опыта и знаний, если только они не делают этого под руководством лица имеющего соответствующий опыт и отвечающего за их безопасность.

- ◆ Не позволяйте детям играть с данным инструментом.

Остаточные риски

При работе с инструментом возможно возникновение дополнительных остаточных рисков, которые не вошли в описанные здесь правила техники безопасности.

Эти риски могут возникнуть при неправильном или продолжительном использовании изделия и т. п. Несмотря на соблюдение соответствующих инструкций по технике безопасности и использование предохранительных устройств, некоторые остаточные риски невозможно полностью исключить. К ним относятся:

- ◆ травмы в результате касания вращающихся/движущихся частей.
- ◆ травмы, которые могут произойти в результате смены деталей, полотен или дополнительных принадлежностей.
- ◆ травмы, связанные с продолжительным использованием инструмента. При использовании любого инструмента в течение продолжительного периода времени, не забывайте делать перерывы.
- ◆ ухудшение слуха.
- ◆ ущерб здоровью в результате вдыхания пыли в процессе работы инструментом (например, при обработке древесины, в особенности, дуба, бука и ДВП.)

Вибрация

Заявленные значения вибрации, указанные в технических спецификациях и заявлениях о соответствии, были измерены в соответствии со стандартным методом тестирования EN62841 и пригодны для сравнения инструментов.

Приведенные значения уровня вибрации могут также использоваться для предварительной оценки величины вибрационного воздействия.

Осторожно! Значения вибрационного воздействия при работе с электроинструментом зависят от вида работ, выполняемых данным инструментом, и могут отличаться от заявленных значений. Уровень вибрации может быть выше заявленного.

При оценке уровня вибрации для определения степени безопасности, предусмотренного 2002/44/ЕС для защиты людей, регулярно пользующихся электроинструментом при работе, нужно принимать во внимание уровень

вибрации, реальные условия использования и способ использования инструмента, а также учитывать все этапы цикла работы (когда инструмент выключается, когда он работает на холостом ходу, а также время переключения с одного режима на другой).

Условные обозначения на инструменте

Помимо кода даты на инструменте имеются следующие знаки:



Осторожно! Во избежание риска получения травм, прочтите руководство по эксплуатации.



Не смотрите в источник света

Дополнительные правила техники безопасности для аккумуляторных батарей и зарядных устройств (не входят в комплект поставки инструмента)

Аккумуляторные батареи

- ◆ Никогда не разбирайте аккумуляторные батареи.
- ◆ Не подвергайте аккумуляторные батареи воздействию воды.
- ◆ Не оставляйте в местах, где температура превышает 40 °С.
- ◆ Заряжайте только при температуре 10–40 °С.
- ◆ Выполняйте зарядку только с помощью зарядного устройства, поставляемого с инструментом.
- ◆ При утилизации батарей следуйте инструкциям, указанным в разделе «Защита окружающей среды».



Не заряжайте поврежденные аккумуляторные батареи.

Зарядные устройства

- ◆ Используйте зарядное устройство STANLEY FATMAX только для зарядки аккумуляторной батареи того инструмента, с которым оно поставлялось. Использование батарей другого типа может привести к взрыву, травмам и повреждениям.
Не пытайтесь заряжать одноразовые батареи.
- ◆ Немедленно заменяйте поврежденный кабель питания.
- ◆ Не подвергайте зарядное устройство воздействию воды.
- ◆ Не вскрывайте зарядное устройство.
- ◆ Запрещается проводить испытания с зарядным устройством.



Зарядное устройство можно использовать только в помещении.



Перед началом работы прочтите руководство по эксплуатации.

Электробезопасность



Ваше зарядное устройство имеет двойную изоляцию, поэтому не требует заземления. Необходимо обязательно убедиться в том, что напряжение источника питания соответствует указанному на паспортной табличке. Никогда не пытайтесь заменить зарядное устройство подключением к обычной сетевой розетке.

- ◆ Во избежание несчастного случая, замена поврежденного кабеля питания должна производиться только у производителя или в авторизованном сервисном центре STANLEY FATMAX.

Составные части

Данное устройство может содержать все или некоторые из перечисленных ниже составных частей.

1. Пусковой выключатель с регулировкой скорости
2. Кнопка изменения направления вращения
3. Держатель
4. Основная рукоятка
5. Кнопка разблокирования аккумуляторного отсека
6. Аккумуляторная батарея
7. Подсветка
8. Крепежное кольцо
9. Переключатель скорости

Сборка

Осторожно! Извлеките аккумуляторную батарею из инструмента перед сборкой.

Зарядка аккумуляторной батареи (рис. А)

Аккумуляторную батарею нужно заряжать перед первым использованием и каждый раз, когда заряда недостаточно для выполняемых работ.

Во время зарядки аккумуляторная батарея нагревается. Это нормальная ситуация, которая не указывает на неисправность.

Внимание! Не заряжайте батарею при температуре окружающей среды ниже 10 °С или выше 40 °С.

Рекомендуемая температура при зарядке составляет приблизительно 24 °С.

Примечание. Зарядное устройство не будет заряжать аккумуляторную батарею, если температура элемента

ниже 10 °С или выше 40 °С.

Аккумуляторную батарею следует оставить в зарядном устройстве. Зарядка начнется автоматически, когда температура элемента аккумуляторной батареи выровняется до нормальных значений.

Примечание. Чтобы обеспечить максимальную производительность и срок службы ионно-литиевых батарей, перед первым использованием полностью зарядите их.

- ◆ Перед установкой батареи (6) подключите зарядное устройство (12) к соответствующей розетке.
- ◆ Зеленый индикатор зарядки (12a) начнет мигать. Это означает, что процесс зарядки начался.
- ◆ По окончании зарядки, зеленый индикатор зарядки (12a) будет гореть непрерывно, не мигая. Теперь аккумуляторная батарея (6) полностью заряжена, и ее можно использовать или оставить в зарядном устройстве (12).
- ◆ Заряжайте разряженные батареи 1 раз в неделю. Срок службы аккумуляторной батареи значительно уменьшается, если ее хранить в разряженном состоянии.

Режимы горения светодиодного индикатора зарядного устройства

	Зарядка: Мигающий зеленый светодиод	
	Полностью заряжен: Непрерывно горящий зеленый светодиод	
	Температурная задержка: Мигающий зеленый светодиод Непрерывно горящий красный светодиод	

Примечание. Совместимое зарядное устройство(-а) не будет заряжать неисправную аккумуляторную батарею. При неисправной аккумуляторной батарее, индикатор на зарядном устройстве не загорится.

Примечание. Также это может указывать на неисправность зарядного устройства. При наличии неисправностей, связанных с зарядным устройством, проверьте аккумуляторную батарею и зарядное устройство в авторизованном сервисном центре.

Хранение аккумуляторной батареи в зарядном устройстве

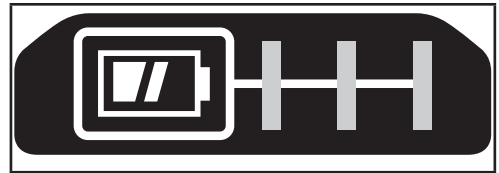
Аккумуляторную батарею можно оставлять в зарядном устройстве на неопределенное время, когда горит светодиод. Зарядное устройство будет поддерживать полную зарядку аккумуляторной батареи.

Температурная задержка

При слишком низкой или слишком высокой температуре батареи, зарядное устройство автоматически переходит в режим температурной задержки: зеленый светодиод (12a) будет мигать, в то время как красный светодиод (12b) будет гореть постоянно; при этом зарядка не начинается до тех пор, пока батарея не достигнет нужной температуры. Как только нужная температура будет достигнута, устройство автоматически перейдет в режим зарядки. Данная функция увеличивает максимальный срок службы аккумуляторной батареи.

Индикатор заряда (рис. В)

Аккумуляторная батарея имеет индикатор заряда, который позволяет быстро установить состояние заряда батареи, как показано на рис. В. Нажатие кнопки заряда (6a) позволяет легко посмотреть оставшийся заряд батареи, как показано на рис. В.



Установка и извлечение аккумуляторной батареи из инструмента

Осторожно! Проверьте, нажата ли кнопка блокировки, чтобы исключить вероятность срабатывания пускового выключателя при извлечении или установке батареи.

Установка батареи (рис. С)

- ◆ Вставьте аккумуляторную батарею (6) в инструмент до щелчка, как показано на рис. С. Убедитесь, что батарея полностью вошла и зафиксирована на месте.

Извлечение батареи (рис. D)

- ◆ Нажмите кнопку разблокирования аккумуляторного отсека (5), как показано на рис. D, и извлеките аккумуляторную батарею из инструмента.

Крепление для ремня (дополнительная принадлежность) (рис. Е, F)

Осторожно! Чтобы снизить риск получения серьезной травмы, устанавливайте переключатель изменения направления вращения в положение выключения или

выключайте инструмент и отсоединяйте аккумуляторную батарею, прежде чем выполнять какую-либо регулировку или удалять/устанавливать какие-либо дополнительные приспособления или принадлежности.

Случайный запуск может привести к травме.

Осторожно! Во избежание получения травмы или повреждения инструмента, подвешивайте инструмент на ремень ТОЛЬКО за крепление для ремня (11). ЗАПРЕЩАЕТСЯ использовать крепление для ремня (11) для крепления инструмента к людям или предметам во время эксплуатации. НЕ ПОДВЕШИВАЙТЕ инструмент над головой и не прицепляйте другие объекты к креплению для ремня.

Осторожно! Во избежание получения серьезной травмы убедитесь в том, что винт (10) крепления для ремня хорошо затянут.

Примечание. Прикрепляя или меняя местоположение крепления для ремня (11), используйте только винт (10), входящий в комплект поставки инструмента. Убедитесь в надежности закрепления винта.

Крепление для ремня (11) можно устанавливать только с использованием винта (10) из комплекта поставки и с любой стороны инструмента, чтобы им могли пользоваться люди с ведущей правой или левой рукой. Если крюк не нужен, его можно снять с инструмента. Чтобы передвинуть крепление для ремня (11), открутите винт (10), удерживающий его, и установите его на противоположной стороне. Убедитесь в надежности затяжки винта (10).

Примечание. Доступны различные типы креплений для настенных направляющих и конфигураций хранения. Дополнительную информацию см. на нашем веб-сайте по адресу www.stanley.eu/3.

Держатель (рис. G)

Осторожно! Используйте только насадки, предназначенные для работы с ударной нагрузкой.

Насадки, не предназначенные для работы с ударной нагрузкой, могут сломаться, что приведет к опасной ситуации.

condition. Проверьте насадку перед использованием и убедитесь в отсутствии в ней трещин.

Осторожно! Перед началом работы проверьте держатель и крепежное кольцо. Перед использованием необходимо установить отсутствующие или заменить поврежденные детали.

- ◆ Заблокируйте инструмент, переместив переключатель направления вращения (2) в центральное положение.
- ◆ Чтобы установить насадку в держатель с крепежным кольцом, вставьте насадку в держатель (3) и надавите. Крепежное кольцо (8) сожмется, позволяя насадке продвинуться внутрь. После установки насадки кре-

пежное кольцо сожмется, обеспечивая плотный захват насадки.

- ◆ Для извлечения насадки возьмитесь за нее и вытяните из держателя.

Переключатель скорости (рис. H)

Данный инструмент оборудован переключателем скорости (9), который позволяет выбрать одну из трех скоростей. Выберите режим, соответствующий выполняемой операции, и регулируйте скорость при помощи пускового выключателя с регулировкой скорости (1).

- ◆ **Скорость 1: 0–450 об/мин**
- ◆ **Скорость 2: 0–1200 об/мин**
- ◆ **Скорость 3: 0–2000 об/мин**

Ударный инструмент создает следующий максимальный крутящий момент:

Скорость	Выходной крутящий момент
Скорость 1	100 фут-фунтов / 130 Н м
Скорость 2	300 фут-фунтов / 400 Н м
Скорость 3	700 фут-фунтов / 950 Н м

Примечание. Выходной крутящий момент зависит от выбранной скорости, при этом максимальная скорость обеспечивается в режиме **Скорость 3**.

Эксплуатация

Осторожно! Инструмент должен работать в обычном режиме. Не подвергайте инструмент повышенным нагрузкам.

Выбор направления вращения (рис. I)

Для затяжки используйте вращение вперед (по часовой стрелке). Для ослабления используйте обратное вращение (против часовой стрелки).

- ◆ Чтобы выбрать вращение по часовой стрелке, передвиньте переключатель направления вращения (2) влево.
- ◆ Чтобы выбрать вращение против часовой стрелки, передвиньте переключатель направления вращения вправо.
- ◆ Чтобы заблокировать инструмент, сдвиньте переключатель в центральное положение.

Эксплуатация

- ◆ Установите насадку в головку крепежного элемента. Держите инструмент под прямым углом к крепежному элементу.
- ◆ Нажмите на пусковой выключатель (1), чтобы начать работу. Отпустите пусковой выключатель, чтобы остановить работу.

Всегда проверяйте крутящий момент динамометрическим ключом, так как на момент затяжки влияет несколько факторов, включая следующие:

- ◆ **Напряжение.** низкое напряжение из-за почти разряженной аккумуляторной батареи приводит к снижению момента затяжки.
- ◆ **Размер насадки.** использование принадлежности неправильного размера приведет к снижению момента затяжки.
- ◆ **Размер болта.** Болты большого диаметра обычно требуют более высокого момента затяжки. Момент затяжки также зависит от длины, марки и коэффициента крутящего момента.
- ◆ **Болт.** Убедитесь, что на резьбе нет ржавчины и грязи, чтобы обеспечить надлежащий момент затяжки.
- ◆ **Материал.** Тип и отделка поверхности материала влияет на момент затяжки.
- ◆ **Время затяжки.** Более длительное время затяжки приводит к увеличению момента затяжки. Использование времени затяжки длиннее рекомендованного может привести к чрезмерному напряжению, срыву резьбы или повреждению крепежных элементов.

Светодиодная подсветка

Подсветка (7) включается при нажатии на пусковой выключатель и автоматически выключается через 20 секунд после того, как он будет отпущен. Пока пусковой выключатель остается нажатым, рабочая подсветка будет гореть.

Примечание. Подсветка предназначена для освещения рабочей поверхности и не может использоваться в качестве фонаря.

Техническое обслуживание

Ваш инструмент STANLEY FATMAX имеет длительный срок эксплуатации и требует минимальных затрат на техобслуживание. Продолжительность безотказной работы зависит от правильного ухода за инструментом и его регулярной чистки.

Зарядное устройство не требует никакого обслуживания кроме регулярной очистки.

Осторожно! Перед выполнением любых работ по обслуживанию инструмента извлекайте из него аккумуляторную батарею. Перед чисткой зарядного устройства отключите его от источника питания.

- ◆ Регулярно очищайте вентиляционные отверстия и зарядное устройство с помощью мягкой щетки или сухой тканевой салфетки.
- ◆ Регулярно очищайте корпус двигателя с помощью влажной салфетки.

Не используйте какие-либо абразивные чистящие

средства или средства на основе растворителей.

- ◆ Регулярно раскрывайте держатель насадок и вытряхивайте из него всю накопившуюся пыль.

Защита окружающей среды



Раздельная утилизация. Изделия и аккумуляторные батареи с данным символом на маркировке запрещается утилизировать с обычными бытовыми отходами.

Изделия и аккумуляторные батареи содержат материалы, которые могут быть извлечены или переработаны, снижая потребность в исходном сырье.

Пожалуйста, утилизируйте электрические изделия и аккумуляторные батареи в соответствии с местными нормами. Дополнительная информация доступна по адресу www.2helpU.com

Технические характеристики

		SFMC940
Напряжение	V _{пост. тока}	18
Скорость без нагрузки	мин. ⁻¹	450 / 1200 / 2000
Удары	уд./мин.	0–2600
Макс. крутящий момент (метод РТИ)	Н м	950
Размер держателя	дюймы	1 / 2
Масса	кг	2,70

Зарядное устройство		SFMCB11	SFMCB12/SC200	SFMCB14
Входное напряжение	V _{перем. тока}	230	230	230
Выходное напряжение	V _{пост. тока}	18	18	18
Ток	A	1,25	2	4

Аккумуляторная батарея		SFMCB201/SB201	SFMCB202/SB202	SFMCB204/SB204	SFMCB206
Напряжение	V _{пост. тока}	18	18	18	18
Емкость	A ч	1,5	2,0	4,0	6,0
Тип		Ионно-литиевая	Ионно-литиевая	Ионно-литиевая	Ионно-литиевая

Уровень акустического давления в соответствии с EN 62841:
Акустическое давление (L_{pA}) 98 дБ(А), погрешность (К) 3 дБ(А)
Акустическая мощность (L_{WA}) 106 дБ(А), погрешность (К) 3 дБ(А)
Сумма величин вибрации (сумма векторов по трем осям), измеренных в соответствии со стандартом EN 62841:
Ударная затряска (a_r) 14,1 m/s^2 , погрешность (К) 1,5 m/s^2

Заявление о соответствии нормам ЕС

ДИРЕКТИВА ПО МЕХАНИЧЕСКОМУ ОБОРУДОВАНИЮ



Аккумуляторный ударный гайковерт — SFMCF940

STANLEY FATMAX гарантирует, что описанная продукция соответствует EN 62841-1:2015 + AC:2015 +A11:2022; EN62841-2-2:2014.

Эти изделия также соответствуют Директивам 2006/42/ЕС, 2014/30/EU и 2011/65/EU. За дополнительной информацией обращайтесь в STANLEY FATMAX по адресу, указанному ниже или приведенному на задней стороне обложки руководства.

За дополнительной информацией обращайтесь в STANLEY FATMAX по адресу, указанному ниже или приведенному на задней стороне обложки руководства.

Нижеподписавшийся несет ответственность за составление технической документации и составил данную декларацию по поручению компании STANLEY FATMAX.

Patrick Diepenbach

Патрик Дипенбах (Patrick Diepenbach)
Генеральный директор, Бенилюкс
STANLEY FATMAX,
Egide Walschaertsstraat 14-18
2800 Mechelen, Бельгия
30.11.2022

Гарантия

STANLEY FATMAX с уверенностью в качестве своей продукции предлагает клиентам гарантию на 12 месяцев с момента покупки. Данная гарантия является дополнительной и ни в коей мере не направлена на ущемление ваших юридических прав. Гарантия действует на территории стран-членов Европейского союза и в Европейской зоне свободной торговли и Великобритании. Чтобы подать заявку по гарантии, заявка должна соответствовать положениям и условиям STANLEY FATMAX, кроме того, вам потребуется предъявить продавцу или авторизованному специалисту по ремонту подтверждение покупки.

Положения и условия гарантии STANLEY FATMAX на 1 год и местонахождение ближайшего авторизованного специалиста по ремонту можно узнать через Интернет по адресу www.2helpU.com, или связавшись с местным представительством STANLEY FATMAX по адресу, указанному в данном руководстве.

Посетите наш веб-сайт www.stanley.eu/3, чтобы зарегистрировать свое новое изделие STANLEY FATMAX и получать информацию о новинках и специальных предложениях.



Приложение к руководству по эксплуатации электрооборудования для определения месяца производства по номеру текущей календарной недели года

Электрооборудование торговых марок "Dewalt", "Stanley", "Stanley FatMAX", "BLACK+DECKER".

Директивы 2014/30/EU ЕВРОПЕЙСКОГО ПАРЛАМЕНТА И СОВЕТА от 26 февраля 2014 г. "О гармонизации законодательств Государств-членов ЕС в области электромагнитной совместимости", 2006/42/ЕС ЕВРОПЕЙСКОГО ПАРЛАМЕНТА И СОВЕТА от 17 мая 2006 г. "О машинах и оборудовании"; 2014/35/EU ЕВРОПЕЙСКОГО ПАРЛАМЕНТА И СОВЕТА от 26 февраля 2014 г. "О гармонизации законодательств государств-членов в области размещения на рынке электрооборудования, предназначенного для использования в определенных пределах напряжения". Серийный выпуск.

ТОВАР СЕРТИФИЦИРОВАН

Орган по сертификации "РОСТЕСТ- Москва", Адрес: 119049, г. Москва, улица Житная, д. 14, стр. 1; 117418, Москва, Нахимовский просп., 31 (фактический), Телефон: (499) 1292311, (495) 6682893, Факс: (495) 6682893, E-mail: office@rostest.ru

Изготовитель: Изготовитель: Блэк энд Деккер Холдингс ГмБХ, Германия, 65510, Идштайн, ул. Блэк энд Деккер, 40, тел. +496126212790.

Уполномоченное изготовителем юр.лицо:

ООО "Стэнли Блэк энд Деккер", 117485, город Москва, улица Обручева, дом 30/1, строение 2
Телефон: +7 (495) 258-3981, факс: +7 (495) 258-3984, E-mail: inbox@dewalt.com

Сведения о импортере указаны в сопроводительной документации и/или на упаковке

Хранение.

Необходимо хранить в сухом месте, вдали от источников повышенных температур и воздействия солнечных лучей. При хранении необходимо избегать резкого перепада температур. Хранение без упаковки не допускается

Срок службы.

Срок службы изделия составляет 5 лет. Не рекомендуется к эксплуатации по истечении 5 лет хранения с даты изготовления без предварительной проверки.

Дата изготовления (код даты) указана на корпусе инструмента.

Код даты, который также включает год изготовления, отштампован на поверхности корпуса изделия.

Пример:

2014 46 XX, где 2014 –год изготовления, 46-неделя изготовления. Определить месяц изготовления по указанной неделе изготовления можно согласно приведенной ниже таблице.

Транспортировка.

Категорически не допускается падение и любые механические воздействия на упаковку при транспортировке. При разгрузке/погрузке не допускается использование любого вида техники, работающей по принципу зажима упаковки.

Перечень критических отказов, возможные ошибочные действия персонала.

Не допускается эксплуатация изделия:
-При появлении дыма из корпуса изделия
-При поврежденном и/или оголенном сетевом кабеле
-при повреждении корпуса изделия, защитного кожуха, рукоятки
-при попадании жидкости в корпус
-при возникновении сильной вибрации
-при возникновении сильного искрения внутри корпуса

Критерии предельных состояний.

-При поврежденном и/или оголенном сетевом кабеле
-при повреждении корпуса изделия

Месяц	Январь	Февраль	Март	Апрель	Май	Июнь	Июль	Август	Сентябрь	Октябрь	Ноябрь	Декабрь	Год производства
Неделя	1	5	9	14	18	23	27	31	36	40	44	49	2018
	2	6	10	15	19	24	28	32	37	41	45	50	
	3	7	11	16	20	25	29	33	38	42	46	51	
	4	8	12	17	21	26	30	34	39	43	47	52	
Неделя			13		22			35			48		2019
	1	6	10	14	18	23	27	31	36	40	45	49	
	2	7	11	15	19	24	28	32	37	41	46	50	
	3	8	12	16	20	25	29	33	38	42	47	51	
	4	9	13	17	21	26	30	34	39	43	48	52	
Неделя					22			35		44			2020
	1	6	10	14	19	23	27	32	36	40	45	49	
	2	7	11	15	20	24	28	33	37	41	46	50	
	3	8	12	16	21	25	29	34	38	42	47	51	
	4	9	13	17	22	26	30	35	39	43	48	52	
Неделя				18			31			44			2021
	2	6	10	14	19	23	27	32	36	41	45	49	
	3	7	11	15	20	24	28	33	37	42	46	50	
	4	8	12	16	21	25	29	34	38	43	47	51	
	5	9	13	17	22	26	30	35	39	44	48	52	
Неделя				18			31		40			1	2022
	2	6	10	15	19	23	28	32	36	41	45	49	
	3	7	11	16	20	24	29	33	37	42	46	50	
	4	8	12	17	21	25	30	34	38	43	47	51	
	5	9	13	18	22	26	31	35	39	44	48	52	
Неделя			14			27		40				1	

STANLEY

FATMAX

ГАРАНТИЙНЫЙ ТАЛОН

3 ГОДА
ГАРАНТИИ

1. Поздравляем Вас с покупкой высококачественного изделия STANLEY FatMAX и выражаем признательность за Ваш выбор.
2. При покупке изделия требуйте проверки его комплектности и исправности в Вашем присутствии, инструкцию по эксплуатации и заполненный Гарантийный талон на русском языке. В гарантийном талоне должны быть внесены: модель, дата продажи, серийный номер, дата производства инструмента; название, печать и подпись торговой организации. При отсутствии у Вас правильно заполненного Гарантийного талона, а также несоответствия указанных в нем данных, мы будем вынуждены отклонить Ваши претензии по качеству данного изделия.
3. Во избежание недоразумений, убедительно просим Вас перед началом работы с изделием внимательно ознакомиться с инструкцией по его эксплуатации. Правовой основой настоящих гарантийных условий является действующее Законодательство. Гарантийный срок на данное изделие составляет 36 месяцев и исчисляется со дня продажи. В случае устранения недостатков изделия, гарантийный срок продлевается на период его нахождения в ремонте. Срок службы изделия составляет 5 лет со дня продажи.
4. В случае возникновения каких-либо проблем в процессе эксплуатации изделия рекомендуем Вам обращаться только в уполномоченные сервисные центры STANLEY FatMAX, адреса и телефоны которых Вы сможете найти на сайте www.2helpU.com или узнать в магазине. Наши сервисные станции - это не только квалифицированный ремонт, но и широкий ассортимент запчастей и принадлежностей.
5. Производитель рекомендует проводить периодическую проверку и техническое обслуживание изделия в уполномоченных сервисных центрах.
6. Наши гарантийные обязательства распространяются только на неисправности, выявленные в течение гарантийного срока и вызванные дефектами производства и / или материалов.
7. Гарантийные условия не распространяются на неисправности изделия, возникшие в результате:
 - 7.1. Несоблюдения пользователем предписаний инструкции по эксплуатации изделия, применения изделия не по назначению, неправильного хранения, использования принадлежностей, расходных материалов и запчастей, не предусмотренных производителем.
 - 7.2. Механического повреждения (сколы, трещины и разрушения) внутренних и внешних деталей изделия, основных и вспомогательных рукояток, сетевого электрического кабеля, вызванного внешним ударным или любым иным воздействием.
 - 7.3. Попадания в вентиляционные отверстия и проникновение внутрь изделия посторонних предметов, материалов или веществ, не являющихся отходами, сопровождающим применение изделия по назначению, такими как: стружка, опилки, песок, и пр.
 - 7.4. Воздействий на изделие неблагоприятных атмосферных и иных внешних факторов, таких как дождь, снег, повышенная влажность, нагрев, агрессивные среды, несоответствие параметров питающей электросети, указанных на инструменте.
 - 7.5. Стихийного бедствия. Повреждение или утрата изделия, связанное с непредвиденными бедствиями, стихийными явлениями, в том числе вследствие действия непреодолимой силы (пожар, молния, потоп и другие природные явления), а также вследствие перепадов напряжения в электросети и других причин, которые находятся вне контроля производителя.
8. Гарантийные условия не распространяются:
 - 8.1. На инструменты, подвергавшиеся вскрытию, ремонту или модификации вне уполномоченного сервисного центра.
 - 8.2. На детали и узлы, имеющие следы естественного износа, такие как: приводные ремни и колеса, угольные щетки, смазка, подшипники, зубчатое зацепление редукторов, резиновые уплотнения, сальники, направляющие ролики, муфты сцепления, бойки, толкатели, стволы, и т.п.
 - 8.3. На сменные и расходные части: цанги, зажимные гайки и фланцы, фильтры, ножи, шлифовальные подошвы, цепи, звездочки, пыльные шины, защитные кожухи, пилки, абразивы, пыльные и абразивные диски, фрезы, сверла, буры и т.п.
 - 8.4. На неисправности, возникшие в результате перегрузки инструмента (как механической, так и электрической), повлекшей выход из строя одновременно двух и более деталей и узлов, таких как ротора и статора, обеих обмоток статора, ведомой и ведущей шестерни редуктора или других узлов и деталей. К безусловным признакам перегрузки изделия относятся, помимо прочего: появление цветов побежалости, деформация или оплавление деталей и узлов изделия, потемнение или обугливание изоляции проводов электродвигателя под воздействием высокой температуры.

Товар получен в исправном состоянии, без видимых повреждений, в полной комплектации, проверен в моем присутствии, претензий по качеству товара не имею. С условиями гарантийного обслуживания ознакомлен и согласен.

Ф. И. О. и подпись покупателя _____

Уважаемые клиенты, наша сеть авторизованных сервисных центров постоянно расширяется. Актуальную информацию об обслуживании в интересующем вас городе вы можете узнать на сайте

www.2helpU.com

Информация об инструменте

Наименование инструмента	
Модель	
Наименование продавца	
Дата продажи	

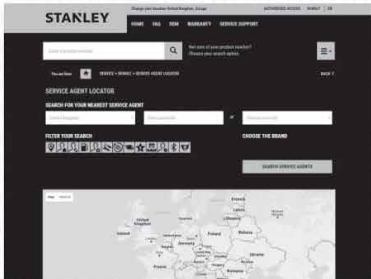
М.П.
Продавца

Серийный номер / Дата производства

Инструмент	
Зарядное устройство	
Аккумулятор 1	
Аккумулятор 2	

На сайте www.2helpU.com доступны следующие функции:

- Список авторизованных сервисных центров
- Удобный поиск ближайшего сервисного центра
- Руководство по эксплуатации
- Технические характеристики
- Список деталей и запасных частей
- Схема сборки инструмента



Также данную информацию вы можете получить, позвонив по телефону:
8(800) 1000 876

ОТМЕТКА О ПРОВЕДЕНИИ СЕРВИСНОГО ОБСЛУЖИВАНИЯ

№1	№2	№3	№4
№ заказа	№ заказа	№ заказа	№ заказа
Дата поступления	Дата поступления	Дата поступления	Дата поступления
Дата ремонта	Дата ремонта	Дата ремонта	Дата ремонта
Печать и подпись сервисного центра	Печать и подпись сервисного центра	Печать и подпись сервисного центра	Печать и подпись сервисного центра

Сфера застосування

Ваш ударний гайковерт SFMCF940 виробництва компанії STANLEY FATMAX розроблений для ударного закріплення. Цей пристрій призначений для професійного використання, а також для приватних непрофесійних користувачів.

Загальні правила безпеки для електричного інструмента



Попередження! Ознайомтеся з усіма попередженнями, інструкціями з техніки безпеки, зображеннями та специфікаціями, які поставляються з цим електричним інструментом. Невиконання наведених нижче попереджень та інструкцій може призвести до ураження електричним струмом, пожежі та/або серйозних травм.

Зберігайте всі попередження та інструкції для подальшого використання. Термін «електричний інструмент» в усіх попередженнях стосується використовуваних вами інструментів, що працюють від мережі енергоспоживання (з використанням електричного кабелю) або акумуляторів (без кабелю).

1. Безпека робочої зони

- a. Робоча зона завжди має бути чистою та добре освітленою. Невпорядковані й темні робочі зони збільшують імовірність нещасного випадку.
- b. Не використовуйте електричні інструменти у вибухонебезпечній атмосфері, наприклад у присутності займистих рідин, газів та пилу. Електричні інструменти створюють іскри, що можуть запалити пил або випаровування.
- c. Тримайте дітей та сторонніх подалі під час використання інструмента. Відвернення уваги може призвести до втрати контролю.

2. Електрична безпека

- a. Вилка електричного інструмента повинна відповідати розетці. Ніколи жодним чином не змінюйте вилку.
Не використовуйте адаптери з замкнутими на землю (заземленими) електричними інструментами. Немодифіковані вилки та розетки, що відповідають їм, зменшують ризик ураження електричним струмом.
- b. Уникайте контакту тіла із заземленими поверхнями, такими як труби, радіатори, плити та холодильники. Якщо ваше тіло заземлене, збільшується ризик ураження електричним струмом.
- c. Не залишайте електричні інструменти під дощем

або за умов підвищеної вологості. Вода, що потрапляє в електричний інструмент, підвищує ризик ураження електричним струмом.

- d. Не використовуйте кабель живлення не за призначенням. Ніколи не переносьте, не тягніть і не відключайте електричний інструмент від розетки живлення за допомогою шнура. Тримайте шнур подалі від джерел високих температур, мастила, гострих предметів і рухомих деталей. Пошкоджені або перекручені шнури підвищують ризик ураження електричним струмом.
- e. Під час експлуатації електричного інструмента на вулиці використовуйте подовжувальний шнур, що призначений для використання поза приміщенням. Використання шнура, що призначений для застосування поза приміщенням, знижує ризик ураження електричним струмом.
- f. Якщо неможливо уникнути використання електричного інструмента за умов підвищеної вологості, використовуйте джерело живлення, захищене пристроєм з керуванням диференціальним струмом (RCD). Використання RCD знижує ризик ураження електричним струмом.

3. Особиста безпека

- a. Будьте в стані готовності, дивіться, що ви робите, та будьте розсудливі, працюючи з електричним інструментом.
Не використовуйте електричний інструмент, коли ви втомлені або перебуваєте під впливом наркотичних речовин, алкоголю або ліків. Втрата уваги під час роботи з електричними інструментами може призвести до серйозних травм.
- b. Використовуйте особисті засоби безпеки. Завжди використовуйте засоби захисту очей. Використання таких засобів захисту як протипилова маска, протиковзне захисне взуття, захисна каска та засоби захисту органів слуху, зменшують ризик виникнення травм.
- c. Уникайте випадкового запуску. Переконайтесь в тому, що вимикач знаходиться в позиції Вимк. перед підключенням до джерела живлення та/або акумулятора, переміщенням або перенесенням пристрою. Якщо ви переносите інструмент, тримаючи палець на перемикачі, або підключаєте живлення з перемикачем в позиції Увімк., це може призвести до нещасного випадку.
- d. Зніміть всі налаштувальні ключі або гайкові ключі перед вмиканням електричного інструмента. Гайковий ключ, що залишився прикріпленим до якоїсь деталі електричного пристрою, що обертається, може призвести до травм.
- e. Не намагайтесь дотягнутись і працювати у

- незручному положенні. Завжди утримуйте правильну постановку ніг і рівновагу. Це дає вам змогу краще контролювати інструмент у неочікуваних ситуаціях.
- f. **Вдягайте відповідний одяг. Не вдягайте вільний одяг або прикраси. Тримайте ваше волосся, одяг та рукавиці подалі від рухомих деталей. Вільний одяг, прикраси або довге волосся можуть зачепитися за рухомі деталі.**
- g. **Якщо передбачені пристрої для підключення до засобів виділення та збирання пилу, переконайтеся, що вони правильно підключені та використовуються. Використання таких пристроїв зменшує ризик виникнення небезпечних ситуацій, що пов'язані з потраплянням пилу.**
- h. **Навіть якщо ви добре знаєте інструмент та часто його використовуєте, не розслабляйтесь і не забувайте про принципи техніки безпеки. Необережні дії за долю секунди можуть стати причиною важких травм.**
- 4. Використання електричного інструмента та догляд за ним**
- a. **Не прикладайте надмірних зусиль під час роботи з інструментом. Використовуйте електричний інструмент, який відповідає завданню, що виконується.**
Правильно обраний інструмент виконає завдання краще та безпечніше за умов, для яких він був розроблений.
- b. **Не використовуйте інструмент, вмикач якого не вмикає та не вмикає його. Будь-який електричний інструмент, який не може управлятися вмикачем, є небезпечним і має бути відремонтований.**
- c. **Відключіть вилку від джерела живлення та/або зніміть акумуляторний блок з електричного інструмента перед тим, як робити будь-які налаштування, змінювати додаткове обладнання чи зберігати електричні інструменти. Ці профілактичні заходи зменшують ризик випадкового запуску електричного інструмента.**
- d. **Зберігайте вимкнені електричні інструменти подалі від дітей та не дозволяйте особам, що не знайомі з електричним інструментом або цими інструкціями, використовувати електричний інструмент.**
Електричні інструменти є небезпечними, якщо вони використовуються некваліфікованими користувачами.
- e. **Технічне обслуговування електричних інструментів та приладдя. Перевіряйте неспіввісність, заїдання рухомих деталей, наявність пошкоджених частин та інших факторів, які можуть впливати на роботу електричного інструмента. Якщо є пошкодження, відремонтуйте**
- електричний інструмент перед використанням.**
Нещасні випадки часто є результатом того, що інструмент не пройшов відповідного технічного обслуговування.
- f. **Тримайте ріжучі інструменти гострими та чистими.**
Правильно доглянуті різальні інструменти з гострими різальними кромками мають меншу імовірність заїдання, і ними легше керувати.
- g. **Використовуйте електричний інструмент, приладдя та деталі інструмента тощо у відповідності до цих інструкцій, зважаючи на умови використання та роботу, яка має бути виконана.**
Використання електричних інструментів не за призначенням може призвести до виникнення небезпечних ситуацій.
- h. **Всі ручки та поверхні для тримання інструменту повинні бути сухими та без залишків мастила.**
Слизькі ручки та поверхні для тримання не дають можливості безпечно працювати та контролювати інструмент у неочікуваних ситуаціях.
- 5. Використання та догляд за інструментом, що працює від акумулятора**
- a. **Заряджайте інструмент лише за допомогою зарядного пристрою, що вказаний виробником.**
Зарядний пристрій, що підходить до одного типу акумуляторів, може призвести до пожежі в разі використання з іншим акумулятором.
- b. **Використовуйте електричні інструменти лише зі спеціально розробленими комплектами батарей.**
Використання інших комплектів батарей може призвести до травм або пожежі.
- c. **Коли комплект батарей не використовується, зберігайте його подалі від таких металевих предметів, як скріпки, монети, ключі, цвяхи, гвинти або інші невеликі предмети, що можуть призвести до замикання двох контактів. Зімкнення терміналів акумулятора може призвести до вибуху або пожежі.**
- d. **За невідповідних умов використання рідина може витікати з батареї, уникайте контакту з цією рідиною. Якщо контакт таки стався, промийте забруднену ділянку водою. Якщо рідина потрапила в очі, промийте водою та зверніться до лікаря. Рідина, що витікає з батареї, може призвести до подразнень та опіків.**
- e. **Не використовуйте акумулятор або інструмент, який пошкоджено або змінено.**
Пошкоджені або модифіковані акумулятори можуть поводити себе непередбачуваним чином, призводячи до пожежі, вибуху або тілесним ушкодженням.
- f. **Не надавайте акумулятор або інструмент впливу вогню або надмірних температур. Вплив вогню або**

температури вище 130 °C може спричинити вибух.

- g. Дотримуйтесь усіх інструкцій щодо зарядки та не заряджайте акумуляторну батарею чи інструмент за межами температурного діапазону, зазначеного в інструкціях по експлуатації.** Неналежне зарядження або зарядження поза межами вказаного температурного діапазону може пошкодити акумулятор та підвищити ризик пожежі.

6. Обслуговування

- a. Передавайте електричний інструмент для обслуговування кваліфікованим спеціалістам з ремонту та використовуйте тільки ідентичні заміні деталі.**
Ця забезпечить безпеку електричного пристрою.
- b. Не обслуговуйте пошкоджені акумулятори самостійно.** Сервісне обслуговування акумуляторних батарей повинно здійснюватися тільки виробником або уповноваженими постачальниками послуг.

Додаткові правила безпеки для електричного інструмента



Попередження! Додаткові попередження щодо техніки безпеки для гайкових ключів та ударних гайковертів.

- ◆ Під час виконання операції, коли кріпильний елемент може контактувати зі схованою електропроводкою, тримайте електроінструмент за ізольовану поверхню. Контакт кріпильних елементів з дротом під напругою може призвести до появи напруги в інструменті та ураження оператора електричним струмом.
- ◆ Область застосування описана в цьому посібнику з експлуатації. Використання будь-якого приладдя чи додаткового обладнання або виконання будь-яких дій з інструментом, що суперечать рекомендаціям цього посібника, може призвести до ризику травмування людини й/або пошкодження майна.

Безпека для оточення

- ◆ Цей інструмент не призначений для використання особами (включаючи дітей) із зниженими фізичними, сенсорними або розумовими можливостями або особами, яким бракує досвіду або знань за винятком випадків, коли такі особи працюють під наглядом або отримали інструкції щодо використання пристрою від особи, яка несе відповідальність за їх безпеку.
- ◆ Уважно слідкуйте за тим, щоб діти не гралися з пристроєм.

Залишкові ризики

Під час використання інструмента можуть виникнути додаткові залишкові ризики, які не внесені до попереджень

щодо техніки безпеки в цьому посібнику. Ці ризики можуть виникнути як результат неправильного використання, тривалого використання тощо.

Незважаючи на виконання всіх відповідних правил техніки безпеки та використання захисних пристроїв, неможливо уникнути деяких залишкових ризиків. Сюди належать:

- ◆ Травми через контакт із деталями, що рухаються/обертаються.
- ◆ Травми під час заміни деталей, пильних полотен або аксесуарів.
- ◆ Травми через занадто тривале використання інструмента. Під час використання будь-якого інструмента протягом тривалого періоду часу не забувайте робити регулярні перерви.
- ◆ Порушення слуху.
- ◆ Небезпека для здоров'я через вдихання пилу, що утворюється під час використання інструмента (наприклад, при роботі з деревом, особливо з дубом, буком та ДВП)

Вібрація

Значення вібрації, вказані в технічних даних та в декларації про відповідність, були виміряні з дотриманням стандартних методів тестування, наданих у EN62841, та можуть використовуватися для порівняння одного інструменту з іншим.

Задекларовані значення вібрації можна також використовувати для попереднього оцінювання впливу вібрації.

Попередження! Значення вібрації, зафіксоване під час фактичного використання електроінструмента, може відрізнитися від заявленого значення вібрації, зважаючи на способи використання інструмента. Рівень вібрації може перевищувати вказані значення.

Оцінюючи вплив вібрації для визначення заходів безпеки за вимогами 2002/44/ЕС, щоб захистити людей, які регулярно використовують інструменти в роботі, необхідно враховувати реальні умови та способи використання інструмента, у тому числі всі періоди робочого циклу, наприклад час, коли інструмент вимкнено та коли він працює в режимі холостого ходу, а також час, потрібний для запуску інструмента.

Маркування на інструменті

На інструмент разом із кодом дати нанесено наступні символи:



Попередження! Щоб зменшити ризик травм, користувач повинен прочитати посібник з експлуатації.



Не дивіться на лампу, що працює

Додаткові інструкції з техніки безпеки для акумуляторів та зарядних пристроїв (не надаються з інструментом)

Акумулятори

- ◆ Ніколи не намагайтесь відкривати батарею.
- ◆ Не занурюйте батарею у воду.
- ◆ Не зберігайте у місцях, де температура може перевищувати 40 °C.
- ◆ Заряджайте лише за температури навколишнього середовища між 10 °C та 40 °C.
- ◆ Заряджайте лише за допомогою зарядного пристрою, що надається з інструментом.
- ◆ При утилізації батарей дотримуйтесь інструкцій, наведених у розділі «Захист навколишнього середовища».



Не заряджайте пошкоджені акумуляторні батареї.

Зарядні пристрої

- ◆ Використовуйте зарядний пристрій STANLEY FATMAX для зарядки батарей лише того інструмента, з яким він був у комплекті. Інші акумуляторні батареї можуть вибухнути, спричинивши травми та пошкодження. Ніколи не намагайтесь заряджати батареї, що не підлягають зарядці.
- ◆ негайно замінійте пошкоджений дріт живлення.
- ◆ Не занурюйте зарядний пристрій у воду.
- ◆ Не відкривайте корпус зарядного пристрою.
- ◆ Не розбирайте зарядний пристрій.



Зарядний пристрій призначений лише для використання в приміщенні.



Прочитайте інструкції цього посібника перед використанням.

Електрична безпека



Зарядний пристрій має подвійну ізоляцію, тому заземлення непотрібне. Завжди перевіряйте відповідність джерела живлення напрузі, що вказана на табличці з паспортними даними. Ніколи не намагайтесь замінити зарядний пристрій звичайним мережним штепселем.

- ◆ Якщо силовий кабель пошкоджений, його необхідно замінити у виробника або в офіційному сервісному STANLEY FATMAX для уникнення небезпеки.

Компоненти

Цей пристрій має всі або деякі з нижче перерахованих компонентів.

1. Перемикач змінної швидкості
2. Перемикач напрямку обертання вперед/назад
3. Посадковий квадрат
4. Основна ручка
5. Кнопка розблокування акумулятора
6. Акумулятор
7. Джерело робочого світла
8. Стопорне кільце-фіксатор
9. Перемикач швидкостей

Монтаж

Попередження! Перед збиранням інструменту витягніть з нього батарею.

Зарядження акумуляторної батареї (рис. А)

Необхідно зарядити акумуляторну батарею перед першим використанням, а також коли потужності недостатньо для виконання завдань, які легко виконувались раніше.

Батарея може стати теплою під час заряджання: це нормально й не є показником проблеми.

Увага! Не заряджайте батарею за температури навколишнього середовища нижче 10 °C або вище 40 °C. Рекомендована температура заряджання: приблизно 24 °C.

Примітка. Зарядний пристрій не заряджає батарею, якщо її температура нижче приблизно 10 °C або вище 40 °C.

Батарею потрібно залишити у зарядному пристрої, який автоматично почне її заряджати, коли температура батареї підніметься або зменшиться.

Примітка. щоб забезпечити максимальну продуктивність та тривалість роботи літій-іонного акумулятора, повністю зарядіть його перед першим використанням.

- ◆ Підключіть зарядний пристрій (12) до відповідної розетки перед встановленням акумулятора (6).
- ◆ Зелений індикатор зарядки (12a) буде блимати постійно, вказуючи на те, що процес зарядки розпочався.
- ◆ Після завершення зарядки зелений індикатор зарядки (12a) залишається постійно включеним. Це означає, що акумулятор (6) повністю заряджений і може бути вийнятий та використовуватися одразу або залишатися в зарядному (12) пристрої.
- ◆ Не тримайте акумулятори розрядженими більше 1 тижня. Термін служби батареї значно зменшується, якщо вона зберігається у незарядженому стані.

Режими світлодіода зарядного пристрою

	Заряджається: Зелений світлодіод блимає	
	Повністю заряджений: Зелений світлодіод постійно горить	
	Затримка через надмірно високу/низьку температуру батареї: Зелений світлодіод блимає Червоний світлодіод постійно горить	

Примітка. Сумісний зарядний пристрій (пристрої) не буде заряджати несправний акумулятор. Зарядний пристрій розпізнає несправну акумуляторну батарею та не вмикатиме світловий індикатор.

Примітка. Це також може свідчити про проблему із зарядним пристроєм. Якщо виявлено проблему із зарядним пристроєм, віднесіть зарядний пристрій та акумулятор для перевірки в авторизований сервісний центр.

Залишення батареї в зарядному пристрої

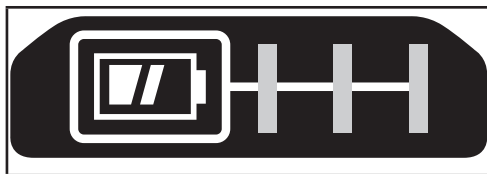
Батареї можна залишити в зарядному пристрої на необмежений час з індикатором, який працює. Зарядний пристрій буде підтримувати акумуляторну батарею у повністю зарядженому стані.

Затримка через надмірно високу/низьку температуру акумулятора

Якщо зарядний пристрій визначає, що батарея є занадто гарячою або занадто холодною, він автоматично вмикає режим температурної затримки, зелений світлодіодний індикатор (12a) буде періодично блимати, а червоний світлодіодний індикатор (12b) буде постійно горіти, припиняючи процес зарядки, доки батарея не досягне відповідної температури. Зарядний пристрій автоматично перемикається в режим зарядки батареї. Ця функція забезпечує максимальний термін служби батареї.

Індикатор стану зарядки акумулятора (рис. B)

Акумулятор містить індикатор стану зарядки для швидкого визначення заряду батареї, як показано на рисунку B. Натиснувши кнопку стану зарядки (6a), можна легко переглянути, скільки заряду залишилося в акумуляторі, як показано на рисунку B.



Встановлення акумулятора в інструмент та його виймання з інструмента

Попередження! Перед встановленням та зніманням акумуляторної батареї переконайтесь, що інструмент заблокований, щоб уникнути його випадкового запуску.

Встановлення акумуляторної батареї (рис. C)

- ◆ Вставте акумулятор (6) в інструмент до упору, щоб почути звук клацання, як показано на рисунку C. Переконайтесь, що акумулятор повністю вставлений і зафіксований в цьому положенні.

Виймання акумуляторної батареї (рис. D)

- ◆ Натисніть кнопку вивільнення батареї (5), як показано на рисунку D, та витягніть її з пристрою.

Гачок для ременя (додатковий аксесуар) (рис. E, F)

Попередження! Щоб знизити ризик серйозних травм, встановіть кнопку реверсу (вперед/назад) у положення блокування або вимкніть інструмент та відключіть акумулятор перед виконанням будь-яких налаштувань або зніманням/встановленням насадок або аксесуарів. Випадковий запуск може призвести до тілесних ушкоджень.

Попередження! Для зменшення ризику травматизму використовуйте поясний гач (11) **ЛИШЕ** для підвішування інструменту на робочому поясі. **НЕ** використовуйте поясний гач (11) для підвішування або фіксації інструмента, який працює, на тілі людини або іншому предметі. **НЕ** підвішуйте інструмент догори ногами та не вішайте предмети на поясний гач.

Попередження! Щоб знизити ризик отримання важких травм, переконайтесь у надійній фіксації гвинта (10), який утримує поясний гачок.

Примітка. Для встановлення або заміни поясного гачка (11) використовуйте лише гвинт (10), який йде в комплекті. Переконайтесь, що гвинт надійно затягнутий. Поясний гач (11) можна припасувати з будь-якої сторони приладу з використанням того гвинта (10), який надається в комплекті для використання правшами та шульгами. Якщо гач непотрібний взагалі, його можна зняти з інструмента.

Щоб переставити поясний гачок (11), викрутіть гвинт (10), який його кріпить, а потім встановіть його з протилежної

сторони. Переконайтесь, що гвинт надійно затягнутий (10).
Примітка. Можливі різні конфігурації зберігання і гачка для пересувного підвищування на стіну.
 Відвідайте наш сайт www.stanley.eu/3 для подальшої інформації.

Посадковий квадрат (рис. G)

Попередження! Використовуйте лише насадки для ударного інструмента.

Використання насадок, не призначених для ударного інструмента, може призвести до поломки насадок та створення небезпечних

умов. Оглядайте насадки перед використанням, щоб пересвідчитися у відсутності тріщин.

Попередження! Оглядайте посадкові квадрати та стопорне кільце-фіксатор перед використанням. Відсутні або пошкоджені деталі слід замінити перед використанням.

- ◆ Заблокуйте інструмент, пересуваючи перемикач вперед/назад (2) у центральне положення.
- ◆ Для встановлення насадки на посадковий квадрат зі стопорним кільцем-фіксатором із зусиллям наштвхнівть насадку на посадковий квадрат (3). Стопорне кільце-фіксатор (8) стиснеться, щоб дати насадці можливість сісти на місце. Після того, як насадка буде встановлена, стопорне кільце-фіксатор буде тиснути на неї, допомагаючи утримувати насадку в робочому положенні.
- ◆ Щоб зняти, ухопіться за насадку та стягніть її.

Перемикач швидкості (рис. H)

Ваш інструмент оснащений селектором вибору швидкості (9), який дозволяє обрати одну із трьох швидкостей. Виберіть режим в залежності від застосування та керуйте швидкістю інструмента за допомогою пускового перемикача змінної швидкості (1).

- ◆ Швидкість 1 0- 450 об/хв
- ◆ Швидкість 2 0- 1200 об/хв
- ◆ Швидкість 3 0- 2000 об/хв

Ваш ударний інструмент може забезпечувати наступні значення максимального крутного моменту:

Швидкість	Вихідний крутний момент
Швидкість 1	100 фунто- футів / 130 Нм
Швидкість 2	300 фунто- футів / 400 Нм
Швидкість 3	700 фунто- футів / 950 Нм

Примітка. Вихідний крутний момент залежить від вибраної швидкості, а найвище значення досягається в режимі Швидкість 3.

Експлуатація

Попередження! Інструмент має працювати з передбаченою для нього швидкістю. Не перевантажуйте його.

Вибір напрямку обертання (рис. I)

Для затягування використовуйте обертання вперед (за годинниковою стрілкою). Для викручування шурупів використовуйте зворотне (проти годинникової стрілки) обертання.

- ◆ Щоб обрати обертання вперед, змістіть перемикач вперед/назад (2) вліво.
- ◆ Щоб обрати обертання назад, змістіть перемикач вперед/назад вправо.
- ◆ Щоб заблокувати інструмент, переведіть реверсивний перемикач у центральне положення.

Використання

- ◆ Встановіть насадку на головку кріпильного елемента. Тримайте інструмент у прямому напрямку до кріпильного елемента.
- ◆ Натисніть тригерний перемикач змінної швидкості (1), щоб почати роботу. Відпустіть тригерний перемикач змінної швидкості, щоб припинити роботу. Завжди перевіряйте момент затягування динамометричним ключем, оскільки на нього впливає багато факторів, наприклад:
 - ◆ **Напруга:** низька напруга через майже розряджений акумулятор зменшить момент затягування.
 - ◆ **Розмір насадки:** використання насадки неправильного розміру призведе до зменшення моменту затягування.
 - ◆ **Розмір болта:** для болтів великого діаметру потрібний більший момент затягування. Крутний момент кріпильного елемента також змінюватиметься залежно від довжини, класу та коефіцієнта крутного моменту.
 - ◆ **Болт:** Переконайтесь, що всі різьби не містять іржі та інших уламків, щоб забезпечити належний крутний момент.
 - ◆ **Матеріал:** Тип матеріалу та обробка поверхні матеріалу впливатимуть на крутний момент.
 - ◆ Час затягування: довший час затягування призводить до збільшеного моменту затягування. Використання більш тривалого часу затягування, ніж рекомендовано, може спричинити перенапруження, зривання різьби або пошкодження кріплення.

Світлодіодне робоче світло

Робоче світло (7) вмикається при натиску на тригерний перемикач і автоматично вимикається через 20 секунд після відпускання перемикача. Доки курковий перемикач натиснуто, джерело робочого світла буде працювати.

Примітка. Лампи підсвічування призначено лише для підсвічування безпосередньої робочої зони і не мають використовуватися як ліхтарик.

Технічне обслуговування

Ваш інструмент виробництва компанії BLACKDECKER призначений для роботи протягом тривалого часу з мінімальним обслуговуванням. Тривала задовільна робота інструмента залежить від його належного обслуговування та регулярного очищення.

Зарядний пристрій не вимагає технічного обслуговування, потрібно лише виконувати регулярне очищення. Попередження! Перед обслуговуванням інструмента вийміть з нього акумулятор. Витягніть зарядний пристрій з розетки перед очищенням.

- ◆ Регулярно очищуйте вентиляційні отвори інструменту та зарядного пристрою, використовуючи м'яку щітку або суху ганчірку.
- ◆ Регулярно очищайте корпус мотору, використовуючи вологу ганчірку.
Не використовуйте абразивні очищувачі та засоби, що містять розчинники.
- ◆ Регулярно відкривайте затискний патрон та струшуйте його, щоб видалити пил з середини.

Захист навколишнього середовища



Роздільний збір. Продукти та акумуляторні батареї, позначені цим символом, не слід утилізувати зі звичайними побутовими відходами.

Пристрої та акумулятори містять матеріали, які можна відновити й переробити, що зменшить потребу в сировині. Будь ласка, віддавайте електричні інструменти та акумулятори на переробку відповідно до місцевих постанов. Більш детальну інформацію можна отримати на сайті www.2helpU.com

Технічні дані

		SFMCF940
Напруга	V _{пост. струму}	18
Швидкість без навантаження	Хв. ⁻¹	450/1200/2000
Удари	уд/хв.	0-2600
Макс. крутний момент (метод РТІ)	Н·м	950
Розмір посадкового квадрату	дюйми	1 / 2
Маса	кг	2,70

Зарядний пристрій		SFMCB11	SFMCB12 / SC200	SFMCB14
Вхідна напруга	V _{змін. струму}	230	230	230
Вихідна напруга	V _{пост. струму}	18	18	18
Струм	A	1,25	2	4

Акумулятор		SFMCB201 / SB201	SFMCB202 / SB202	SFMCB204 / SB204	SFMCB206
Напруга	V _{пост. струму}	18	18	18	18
Ємність	Ампер-годин	1,5	2,0	4,0	6,0
Тип		Літій-іонний	Літій-іонний	Літій-іонний	Літій-іонний

Рівень звукового тиску згідно з EN 62841:

Звуковий тиск (L_{рА}) 98 дБ(А), похибка (К) 3 дБ(А)

Звукова потужність (L_{WA}) 106 дБ(А), похибка (К) 3 дБ(А)

Загальні значення вібрації (векторна сума трьох векторів) згідно з EN 62841:

Ударне з'ятування кріпень (a_h) 14,1 м/с², похибка (К) 1,5 м/с²

Декларація про відповідність нормам ЄС

ДИРЕКТИВА ДЛЯ МЕХАНІЧНОГО ОБЛАДНАННЯ



Акумуляторний ударний гайковерт – SFMCF940

Компанія STANLEY FATMAX заявляє, що зазначені виробі відповідають стандартам EN 62841-1:2015 + AC:2015 +A11:2022; EN62841-2-2:2014.

Ці виробі також відповідають Директиві 2006/42/EC, 2014/30/EU і 2011/65/EU. Для отримання додаткової інформації, будь ласка, зверніться до компанії STANLEY FATMAX за наведеною нижче адресою або прочитайте інформацію на зворотному боці цього посібника.

Для отримання додаткової інформації зверніться до компанії STANLEY FATMAX за наведеною нижче адресою або прочитайте інформацію на зворотному боці цього посібника.

Нижчепідписаний несе відповідальність за упорядкування файлу технічних характеристик та робить цю заяву від компанії

STANLEY FATMAX.



Патрік Діпенбах (Patrick Diepenbach)
Генеральний директор, Бенелюкс
STANLEY FATMAX,
Egide Walschaertsstraat 14-18
2800 Mechelen, Бельгія
30.11.2022

Гарантія

Компанія STANLEY FATMAX впевнена в якості своєї продукції та пропонує споживачам гарантію тривалістю 12 місяців з дати покупки. Ця гарантія додатково розширює її у жодному разі не зменшує ваші законні права. Ця гарантія є чинною на території країн-членів Європейського союзу, в європейській зоні вільної торгівлі й Великій Британії.

Щоб подати претензію за гарантією, претензія має бути у відповідності до Умов компанії STANLEY FATMAX і вам необхідно надати підтвердження придбання продавцю або уповноваженому агенту з виконання ремонту.

Умови гарантії компанії STANLEY FATMAX на 1 рік та місцезнаходження найближчого сервісного центру можна дізнатися в інтернеті на сайті www.2helpU.com або звернутися до місцевого представництва компанії STANLEY FATMAX за адресою, вказаною у цьому керівництві.

Відвідайте наш сайт www.stanley.eu/3, щоб зареєструвати свій новий продукт STANLEY FATMAX та отримувати інформацію про нові продукти та спеціальні пропозиції.



060

Виробник:
"Stanley Black & Decker Deutschland
GmbH" Black-&-Decker Str.40, D-65510
Idstein, Німеччина

STANLEY
FATMAX

ГАРАНТІЙНИЙ ТАЛОН

3 РОКИ
ГАРАНТІЇ

- Вітаємо Вас з покупкою високоякісного виробу Stanley FATMAX і висловлюємо вдячність за Ваш вибір.
- При покупці виробу вимагайте перевірки його комплектності і справності у Вашій присутності, інструкцію з експлуатації та заповнений гарантійний талон українською мовою. В гарантійному талоні повинні бути внесені: модель, дата продажу, серійний номер, дата виробництва інструменту; назва, печатка і підпис торгової організації. За відсутності у Вас правильно заповненого гарантійного талону, а також при невідповідності зазначених у ньому даних ми будемо змушені відхилити Ваші претензії щодо якості даного виробу.
- Щоб уникнути непорозумінь, переконливо просимо Вас перед початком роботи з виробом уважно ознайомитися з інструкцією з його експлуатації. Правовою основою справжніх гарантійних умов є чинне Законодавство. Гарантійний термін на даний виріб складає 36 місяців і обчислюється з дня продажу. У разі усунення недоліків виробу, гарантійний строк продовжується на період його перебування в ремонті. Термін служби виробу становить 5 років з дня продажу.
- У разі виникнення будь-яких проблем у процесі експлуатації виробу рекомендуємо Вам звертатися тільки в уповноважені сервісні центри Stanley FATMAX, адреси та телефони яких Ви зможете знайти в гарантійному талоні, на сайті www.2helpU.com або дізнатися в магазині. Наші сервісні станції - це не тільки кваліфікований ремонт, але і широкий асортимент запчастин і аксесуарів.
- Виробник рекомендує проводити періодичну перевірку і технічне обслуговування виробу в уповноважених сервісних центрах.
- Наші гарантійні зобов'язання поширюються тільки на несправності, виявлені протягом гарантійного терміну і викликані дефектами виробництва та \ або матеріалів.
- Гарантійні умови не поширюються на несправності виробу, що виникли в результаті:
 - Недотримання користувачем приписів інструкції з експлуатації виробу, застосування виробу не за призначенням, неправильного зберігання, використання приладдя, витратних матеріалів і запчастин, що не передбачені виробником.
 - Механічного пошкодження (відколю, тріщини і руйнування) внутрішніх і зовнішніх деталей виробу, основних і допоміжних рукояток, мережевого кабелю, що викликані зовнішнім ударним або будь-яким іншим впливом
 - Потраплення у вентиляційні отвори та проникнення всередину виробу сторонніх предметів, матеріалів або речовин, що не є відходами, які супроводжують застосування виробу за призначенням, такими як: стружка, тирса, пісок, та ін.
 - Впливу на виріб несприятливих атмосферних і інших зовнішніх факторів, таких як дощ, сніг, підвищена вологість, нагрівання, агресивні середовища, невідповідність параметрів електромережі, що зазначені на інструменті.
 - Стихійного лиха. Пошкодження або втрати виробу, що пов'язані з непередбаченими лихами, стихійними явищами, у тому числі внаслідок дії непереборної сили (пожежа, блискавка, потоп і інші природні явища), а також внаслідок перепадів напруги в електромережі та іншими причинами, які знаходяться поза контролем виробника.
- Гарантійні умови не поширюються:
 - На інструменти, що піддавались розкриттю, ремонту або модифікації поза уповноваженим сервісним центром.
 - На деталі, вузли та матеріали, що мають сліди природного зносу, такі як: приводні реміні і колеса, вугільні щітки, мастило, підшипники, зубчасті зчленення редукторів, гумові ущільнення, сальники, направляючі ролики, муфти, вимикачі, бойки, штовхачі, стволи тощо.
 - На змінні частини: патрони, цанги, затисні гайки і фланці, фільтри, ножі, шліфувальні підшови, ланцюги, зірочки, пильні шини, захисні кошуки, пилки, абразиви, пильні і абразивні диски, фрези, свердла, бури тощо
 - На несправності, що виникли в результаті перевантаження інструменту (як механічного, так і електричного), що спричинили вихід з ладу одночасно двох і більше деталей і вузлів, таких як: ротора і статора, обох обмоток статора, веденої і ведучої шестерні редуктора або інших вузлів і деталей. До безумовних ознак перевантаження виробу відносяться, крім інших: поява кольорів мільниці, деформація або оплавлення деталей і вузлів виробу, потемніння або обуглювання ізоляції проводів електродревуна під впливом високої температури.

Товар отриманий в справному стані, без видимих ушкоджень, в повній комплектації, перевірений у моїй присутності, претензій щодо якості товару не маю. З умовами гарантійного обслуговування ознайомлений і згоден.

П. І. Б. та підпис власника _____

Шановні клієнти, наша мережа авторизованих сервісних центрів постійно розширюється. Актуальну інформацію про обслуговування в місті, що цікавить вас, ви можете дізнатися на сайті

www.2helpU.com

Редакція ВК/12-12-2018

Інформація про інструмент

Найменування інструменту	
Модель	
Найменування продавця	
Дата продажу	

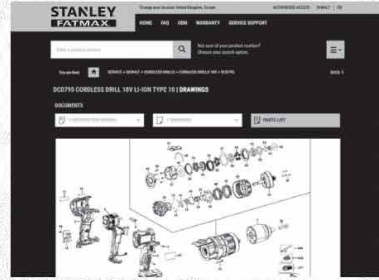
М.П.
Продавця

Серійний номер/Дата виробництва

Інструмент	
Зарядний пристрій	
Акумулятор 1	
Акумулятор 2	

На сайті www.2helpU.com доступні наступні функції:

- Список авторизованих сервісних центрів
- Зручний пошук найближчого сервісного центру
- Керівництво з експлуатації
- Технічні характеристики
- Список деталей і запасних частин
- Схема складання інструменту



Також дану інформацію ви можете отримати,
зателефонувавши за номером:
0 (800) 211 521 в Україні

ВІДМІТКА ПРО ПРОВЕДЕННЯ СЕРВІСНОГО ОБСЛУГОВУВАННЯ

№1	№2	№3	№4
№ замовлення	№ замовлення	№ замовлення	№ замовлення
Дата прийому	Дата прийому	Дата прийому	Дата прийому
Дата ремонту	Дата ремонту	Дата ремонту	Дата ремонту
Печатка і підпис сервісного центру	Печатка і підпис сервісного центру	Печатка і підпис сервісного центру	Печатка і підпис сервісного центру

